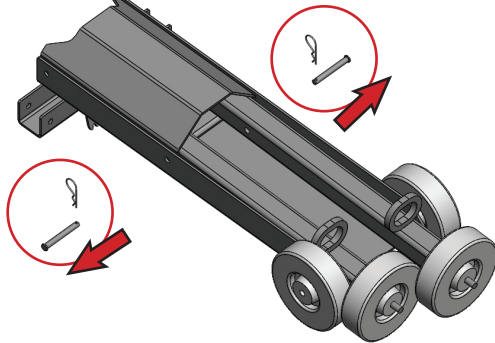


# CYCLE CADDY

## OPERATIONS MANUAL

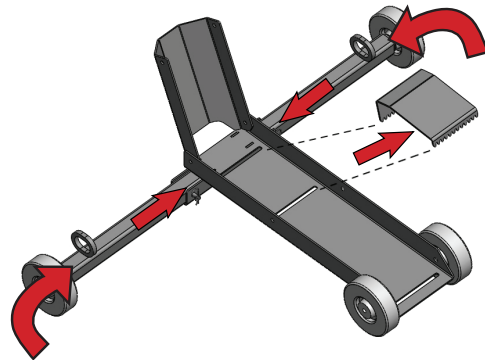
**Maximum Motorcycle Weight: 950 lbs • Part Number: ITD1412**

**1**



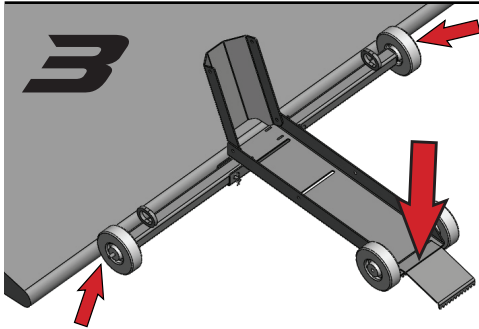
**Remove storage pins.**

**2**



**Install axles. Secure with pins.  
Remove ramp from storage slots.**

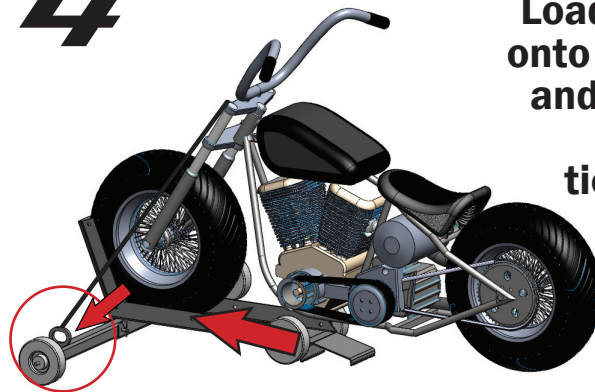
**3**



**Install loading ramp in loading slot.**

**⚠ Ensure the Cycle Caddy is on level ground and positioned against the rear of the carrier deck before loading motorcycle**

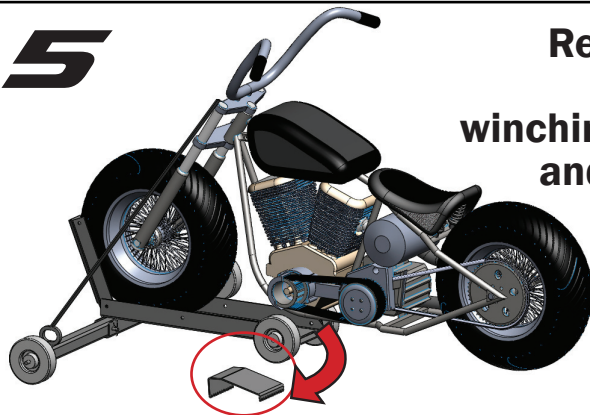
**4**



**Load motorcycle onto Cycle Caddy and strap down, attaching to tie down rings on axles.**

**⚠ Ensure tie down straps are of adequate capacity for the motorcycle being hauled.**

**5**



**Remove loading ramp before winching motorcycle and Cycle Caddy onto carrier deck.**

**⚠ Secure motorcycle and Cycle Caddy to the deck in accordance with all federal and local laws**



### Important Information

- **Maximum Motorcycle Weight: 950 lbs.**
- **Before operating, perform a thorough visual inspection of the unit.**

- **Secure motorcycle and Cycle Caddy to the deck in accordance with all federal and local laws**