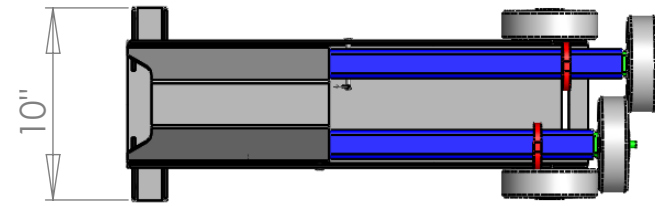
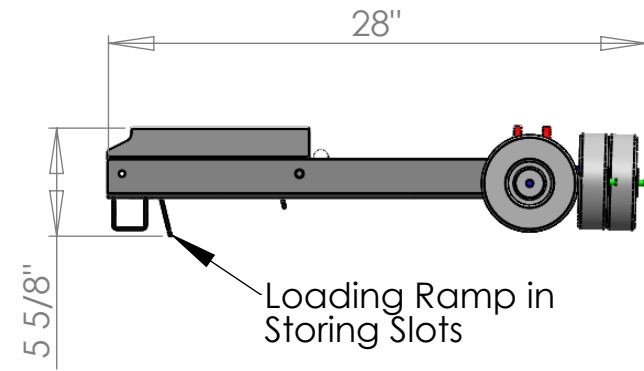


Assembly Weight: 34 LBS.

REV.	DESCRIPTION	DATE	APPROVED
------	-------------	------	----------



Stored Position

DRAWN BY JL	Inventive LLC In The Ditch Towing Products		
DRAWN DATE 10/23/2013	DESCRIPTION Cycle Caddy		
UNLESS OTHERWISE SPECIFIED: DIMENSIONS ARE IN INCHES TOLERANCES: FRACTIONAL ± 1/16" ANGULAR: MACH ± 0.25° BEND ± 1.5° TWO PLACE DECIMAL ± 0.030" THREE PLACE DECIMAL ± 0.005"	SIZE A	PART NO. ITD1412	Revision -
MATERIAL: N/A	SHEET SCALE 1:1		SHEET 1 of 3
FINISH: Black Paint DO NOT SCALE DRAWING			