

Operations for Aluminum Tire Stand (ITD1132)

Specifications:

Capacity per Stand: 10,000 lb (4,536 kg)

Overall Dimensions: 20.5" x 10.5" x 9.0"

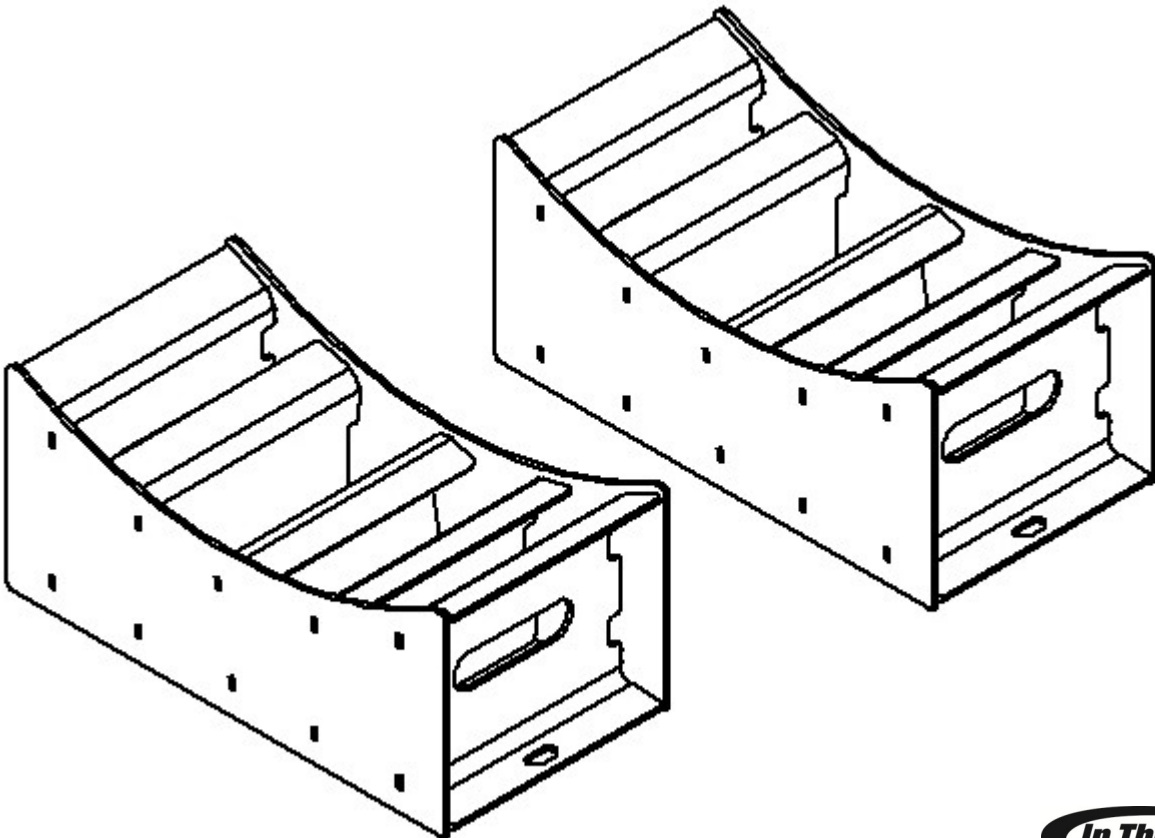
Lift Height: 6"

Before Each Use:

1. Verify vehicle to be supported is on flat level ground and that the ground is able to support the weight without sinking or shifting position.
2. Inspect stands for deformation or weld cracking before use.
3. Chock vehicles' tires to eliminate chance of rolling.

Safety Precautions:

- Study, understand, and follow all instructions before operating this device
- Do not exceed rated capacity
- Use only on hard level surface capable of supporting the load
- Center load in saddle
- Stands are not to be used as chocks, vehicle must be chocked separate of stands
- Use as a matched pair only
- Failure to heed these markings may result in personal injury and/or property damage
- No alterations shall be made to this product



For missing or damaged parts, please call 1-888-993-4824
www.INTHEDITCH.com



ITD0212