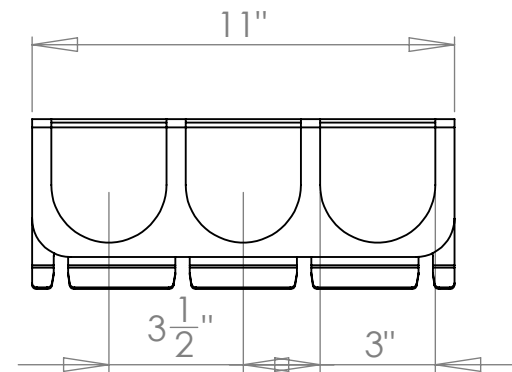
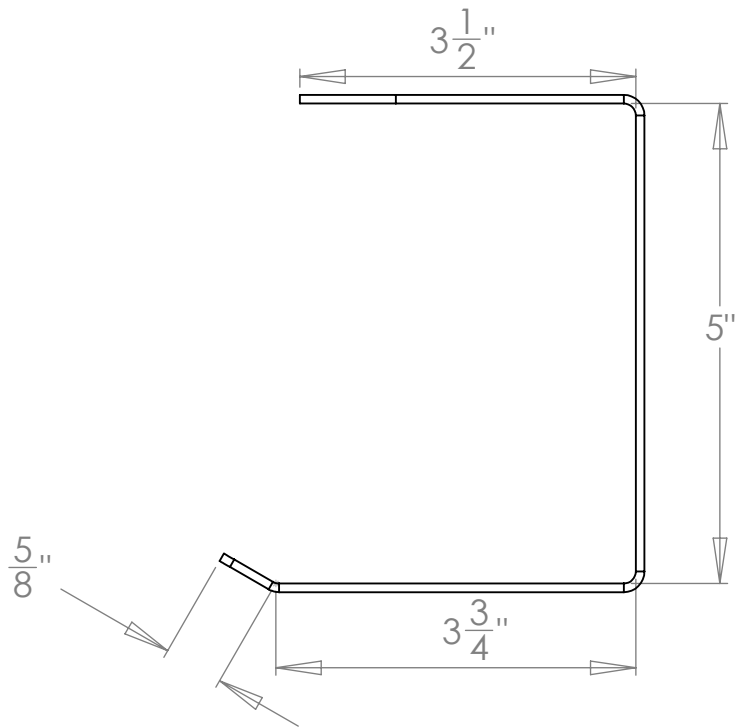
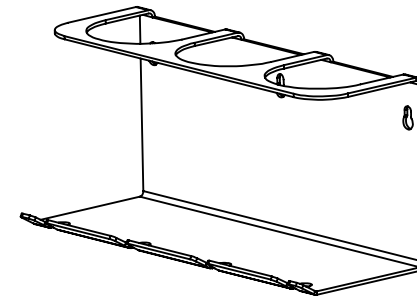


REV.	DESCRIPTION	DATE	APPROVED
------	-------------	------	----------



.090" 5052 Aluminum Sheet

DRAWN BY: KBH DRAWN DATE: 5/21/2012 UNLESS OTHERWISE SPECIFIED: DIMENSIONS ARE IN INCHES TOLERANCES: FRACTIONAL $\pm 1/16"$ ANGULAR: MACH $\pm 0.25^\circ$ BEND $\pm 1.5^\circ$ TWO PLACE DECIMAL $\pm 0.020"$ THREE PLACE DECIMAL $\pm 0.005"$ MATERIAL: See BOM DO NOT SCALE DRAWING	Inventive LLC In The Ditch Towing Products PART NAME 3 Can Air Tool Rack SIZE PART NO. A ITD1300 (AL 3 Can Air Tool) SHEET SCALE 1:5	APPROVED DATE SHEET 1 of 1
--	---	----------------------------------