



▶ MicroPulse™ Wide Angle | Exterior Mount / Perimeter Lights

FEATURES

- Utilizes (6), (9) or (12) LEDs; 180-degree light spread
- Perfect for mounting on push bumpers, rub rails, side mirrors and spoilers
- Synchronizes with other MicroPulse products
- Available in Single, Split, or Dual Color models
- 12 (MPSW9 Single Color), 18 (MPSW9 Dual Color) or 27 (MPSW6) selectable flash patterns
- UV resistant polycarbonate lens
- Black bezel included; Optional Chrome (MPSW9/ MPSW6) and White (MPSW6) bezels available
- Steady burn models are available for use with the Pathfinder Siren or other external flashers
- Three-year warranty

APPROVALS

- All models are IP67 rated, moisture and dust proof

MPSW9 Single Color

- SAE J595 Class 1 (Amber, Blue, Red and White)
- SAE J845 Class 1 (Amber, Blue, Red and White)

MPSW9 Dual Color

- SAE J595 Class 2 (Amber, Blue, and White)
- SAE J595 Class 1 (Red)
- SAE J845 Class 1 (Amber, Blue, Red and White)

MPSW6

- SAE J595 Class 1 (Amber, Blue, Red and White)
- SAE J845 Class 1 (Amber, Blue, Red and White)

A curved shape and powerful LEDs provide an impressive off-axis light spread

MicroPulse™ Wide Angle's curve design and powerful LEDs provide an impressive 180-degree light spread. These perimeter lights are ideal for mounting on push bumpers, rub rails, side mirrors and spoilers of first responder and work truck vehicles. MicroPulse Wide Angle models are available in Red, Blue, Green, White and Amber, as well as split-color and dual-color combinations.

Highly effective warning light

MicroPulse Wide Angle lights can be programmed to operate as a single unit or in synchronization with multiple MicroPulse light heads. Built-in flash patterns enable multiple vehicle perimeter lights to be either synchronized in the same pattern or in opposite sequence.

MicroPulse Wide Angle Steady Burn models are intended to be flashed with the Pathfinder Siren or other external flasher. The combination of the Steady Burn models and the Pathfinder Siren allow the Pathfinder to control lights around the vehicle by utilizing flash patterns in the siren, syncing and alternating light heads, and dimming light heads.

Built to last

The MicroPulse Wide Angle lens is made of UV resistant polycarbonate to protect against harsh conditions. Models come standard with a Black bezel and are also available with an optional Chrome bezel.



M P S W 9 - C O M P L I A N C E C H A R T

Single Color Models

Model #	LED Color	J845 Class	J845 Coverage	J595 Class	CA T13 Class	NFPA		GSA KKK-A-1822F
						Zone	No. of Devices	
MPSW9-A	Amber	1	90°	1	B	Lower	2	–
MPSW9-B	Blue	1	90°	1	B	Lower	2	–
MPSW9-W	White	1	90°	1	–	Lower	1	–
MPSW9-R	Red	1	90°	1	B	Lower	1	–

Dual Color Models

Model #	LED Color	J845 Class	J845 Coverage	J595 Class	CA T13 Class	NFPA		GSA KKK-A-1822F
						Zone	No. of Devices	
MPSW9-AW	Amber	1	120°	2	NO	Lower	2	–
	White	1	120°	2	–	Lower	1	–
MPSW9-BW	Blue	1	120°	2	NO	Lower	3	–
	White	1	120°	2	–	Lower	1	–
MPSW9-RB	Red	1	120°	1	NO	Lower	2	–
	Blue	1	120°	2	NO	Lower	3	–
MPSW9-BA	Blue	1	120°	2	NO	Lower	3	–
	Amber	1	120°	2	NO	Lower	2	–
MPSW9-RW	Red	1	120°	1	NO	Lower	2	–
	White	1	120°	2	–	Lower	1	–
MPSW9-RA	Red	1	120°	1	NO	Lower	2	–
	Amber	1	120°	2	NO	Lower	2	–

M P S W 6 - C O M P L I A N C E C H A R T

Single Color Models

Model #	LED Color	J845 Class	J845 Coverage	J595 Class	CA T13 Class	NFPA		GSA KKK-A-1822F
						Zone	No. of Devices	
MPSW6-A	Amber	1	120°	1	B	Lower	1	–
MPSW6-B	Blue	1	120°	1	B	Lower	2	–
MPSW6-W	White	1	120°	1	–	Lower	1	–
MPSW6-R	Red	1	120°	1	B	Lower	1	Complies Lower

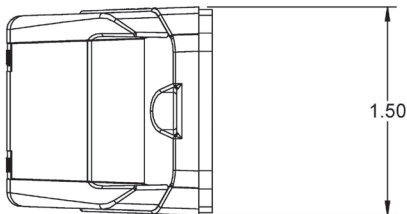
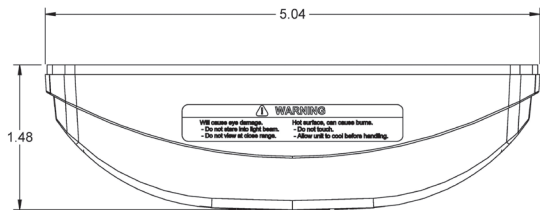
Split Color Models

Model #	LED Color	J845 Class	J845 Coverage	J595 Class	CA T13 Class	NFPA		GSA KKK-A-1822F
						Zone	No. of Devices	
MPSW6-AW	Amber	1	120°	1	NO	Lower	1	–
	White	1	120°	1	–	Lower	1	–
MPSW6-BW	Blue	1	120°	1	B	Lower	1	–
	White	1	120°	1	–	Lower	1	–
MPSW6-RB	Red	1	120°	1	NO	Lower	2	–
	Blue	1	120°	1	B	Lower	2	–
MPSW6-RW	Red	1	120°	1	NO	Lower	1	–
	White	1	120°	1	–	Lower	1	–

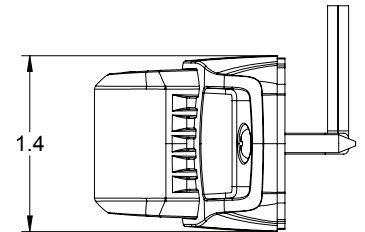
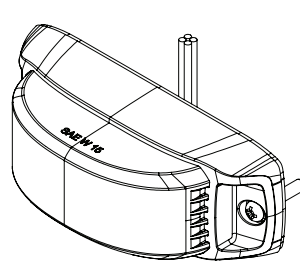
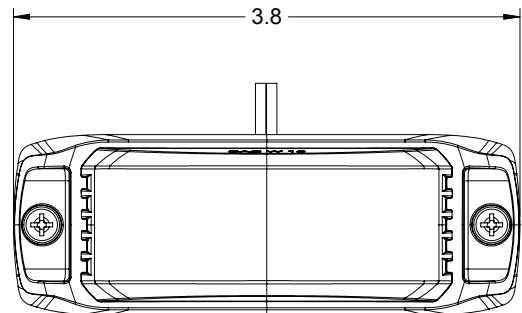
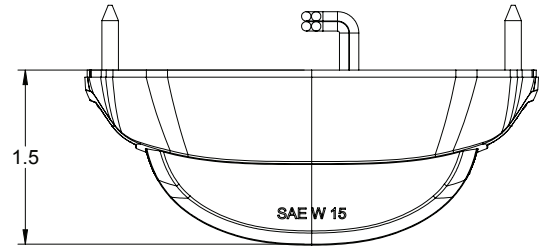
SPECIFICATIONS

	MPSW9 (Single Color)	MPSW9 (Dual Color)	MPSW6 (Single/Split)	
Specifications				
Voltage	12/24 VDC	12 VDC	12 VDC	
Current Draw	0.58 A at 12 VDC 0.28 A at 24 VDC	0.6 A at 12 VDC	0.8 A at 12 VDC	
Operating Temp	-40°C to 80°C	-40°C to 80°C	-40°C to 80°C	
Physical Specifications				
	Surface Mount	Surface Mount	Surface Mount	Under Side Mirror Mount
Height	1.5 in (3.8 cm)	1.5 in (3.8 cm)	1.4 in (3.6 cm)	1.3 in (3.3 cm)
Length	5.04 in (12.8 cm)	5.04 in (12.8 cm)	3.8 in (9.7 cm)	2.9 in (7.4 cm)
Depth	1.48 in (3.8 cm)	1.48 in (3.8 cm)	1.5 in (3.8 cm)	2.6 in (6.6 cm)
Ship Weight				
	0.5 lbs (0.23 kg)	0.5 lbs (0.23 kg)	0.42 lbs (0.19 kg)	

MPSW9 MODELS



MPSW6 MODELS



HOW TO ORDER

MicroPulse Wide Angle 9, Single Color, Surface Mount, 12/24 VDC

MPSW9-A	9-LED light head, Amber
MPSW9-B	9-LED light head, Blue
MPSW9-R	9-LED light head, Red
MPSW9-W	9-LED light head, White

MicroPulse Wide Angle 9, Dual Color, Surface Mount, 12 VDC

MPSW9-AW	12-LED light head, (6) Amber/ (6) White
MPSW9-BA	12-LED light head, (6) Blue/ (6) Amber
MPSW9-BW	12-LED light head, (6) Blue/ (6) White
MPSW9-RA	12-LED light head, (6) Red/ (6) Amber
MPSW9-RB	12-LED light head, (6) Red/ (6) Blue
MPSW9-RW	12-LED light head, (6) Red/ (6) White
MPSW9-AG	12-LED light head, (6) Amber/ (6) Green

MicroPulse Wide Angle 6, Single Color, Surface Mount and Side Mirror Mount, 12 VDC

MPSW6-A	6-LED light head, Amber
MPSW6-B	6-LED light head, Blue
MPSW6-R	6-LED light head, Red
MPSW6-W	6-LED light head, White

MicroPulse Wide Angle 6, Split Color, Surface Mount and Side Mirror Mount, 12 VDC

MPSW6-AW	6-LED light head, (3) Amber/ (3) White
MPSW6-BW	6-LED light head, (3) Blue/ (3) White
MPSW6-RB	6-LED light head, (3) Red/ (3) Blue
MPSW6-RW	6-LED light head, (3) Red/ (3) White

MicroPulse Steady Burn Wide Angle 9, Dual Color, Surface Mount, 12 VDC

MPSW9X-BW	12-LED light head, (6) Blue / (6) White
MPSW9X-RW	12-LED light head, (6) Red / (6) White

Accessories

MPSMW9-1	Chrome bezel for (1) MPSW9
MPSMW9-3	Black bezel for (1) MPSW9
MPSMW6-1	Chrome bezel for (1) MPSW6
MPSMW6-2	White bezel for (1) MPSW6
MPSMW6-3	Black bezel for (1) MPSW6

FLASH PATTERNS

Pattern	M P S W 9 (Single Color)	M P S W 9 (Dual Color)	M P S W 6 (Single/Split)
1	Random	Triple 92.3 (All)	Triple 92.3 (All)
2	Steady	Triple 90 (All)	Triple 90 (All)
3	Single	Single 122 (All)	Single 122 (All)
4	Mega	Single 75 (All)	Single 75 (All)
5	Double	Single 90 (All)	Single 90 (All)
6	Triple	Single 113 (All)	Single 113 (All)
7	Quad	Single 73 (All)	Single 73 (All)
8	Quint	Double 73 (All)	Double 73 (All)
9	8 Flash	Triple 73 (All)	Triple 73 (All)
10	Single Quad	Quad 73 (All)	Quad 73 (All)
11	Single H/L	Quint 73 (All)	Quint 73 (All)
12	Single-Triple-Quint	Mega (All)	Mega (All)
13		Ultra (All)	Ultra (All)
14		Single-Quad (All)	Single-Quad (All)
15		Single H/L (All)	Single H/L (All)
16		Steady All (All)	Steady All (All)
17		Steady Half (California)	Steady Half (California)
18		Random	Random
19			Single (Split)
20			Double (Split)
21			Triple (Split)
22			Quad (Split)
23			Quint (Split)
24			Mega (Split)
25			Ultra (Split)
26			Single-Quad (Split)
27			Single H/L (Split)



MicroPulse is a trademark of Federal Signal Corporation.

©2019 Federal Signal Corporation. M4066 I 319