

Below is a list of parts needed to assemble a Carrier Dolly Mount.
Hardware is included with product

Required Hardware List For Assembly:

| | | | | | |
|--|------|-------------------|--|-----|----------------|
| | (10) | 5/16" x 3/4" Bolt | | (8) | 1/4" Washer |
| | (20) | 5/16" Washers | | (4) | 1/4" x 1" Bolt |
| | (10) | 5/16" Acorn Nuts | | (4) | 1/4" Nut |
| | | | | (4) | Spacer |



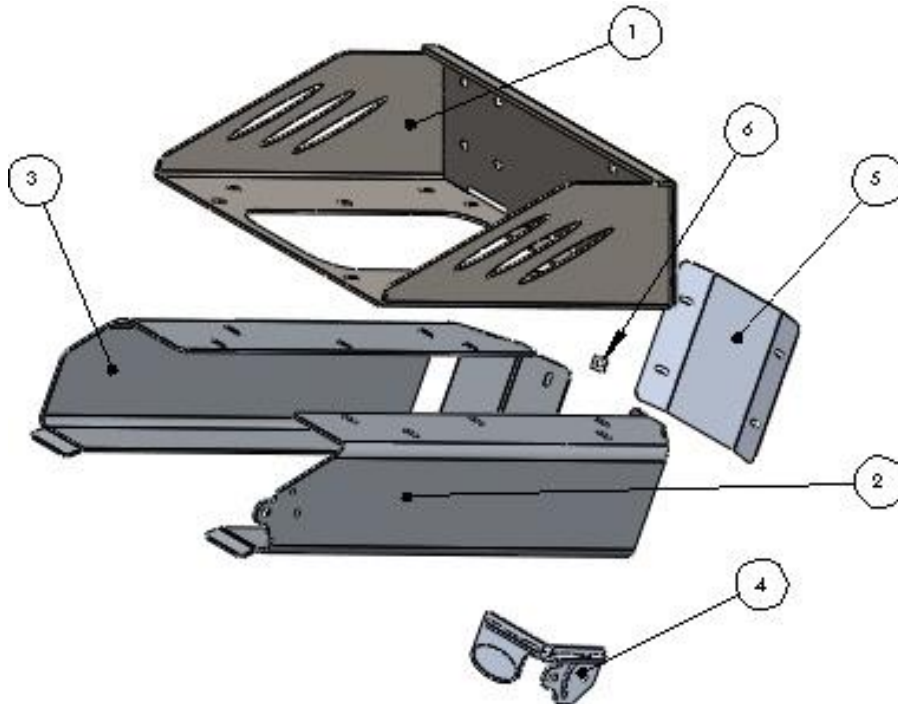
ASSEMBLY INSTRUCTIONS



READ ALL SAFETY WARNINGS & INSTRUCTIONS CAREFULLY

Parts List:

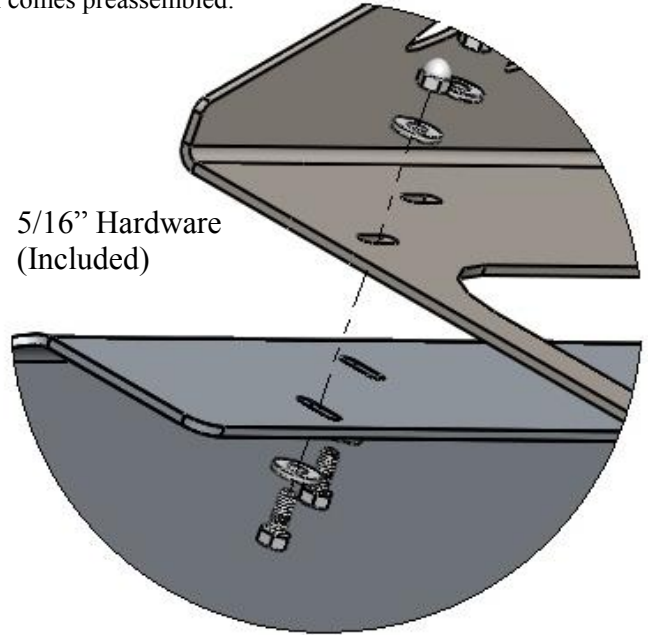
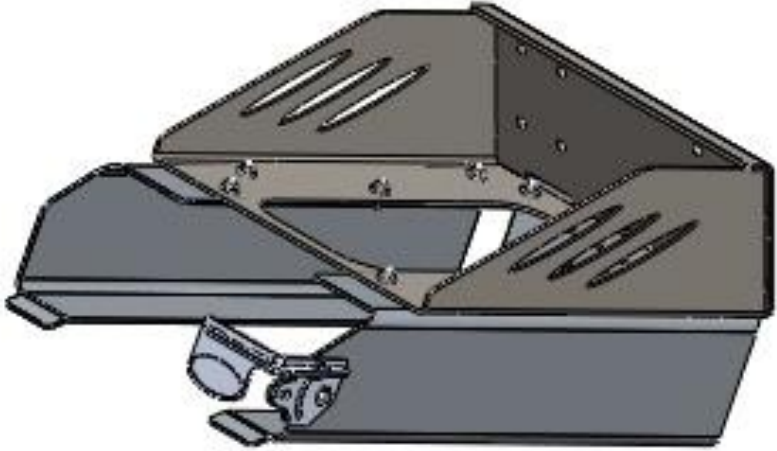
| Item # | Qty | Description | Part # |
|--------|-----|--------------------------|---------|
| 1 | (1) | Steel Weldment | ITD4448 |
| 2 | (1) | Right Side Bunk Weldment | ITD4458 |
| 3 | (1) | Left Side Bunk Weldment | ITD4447 |
| 4 | (1) | Latch Weldment | ITD4455 |
| 5 | (1) | Heat Shield | ITD4370 |
| 6 | (4) | Heat Shield Spacer | ITD4459 |



For missing or damaged parts, please call 1-888-993-4824
www.INTHEDITCH.com

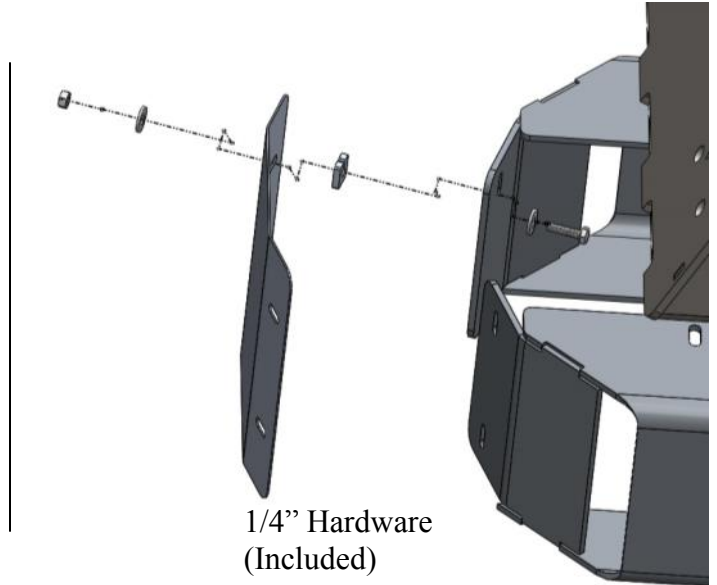
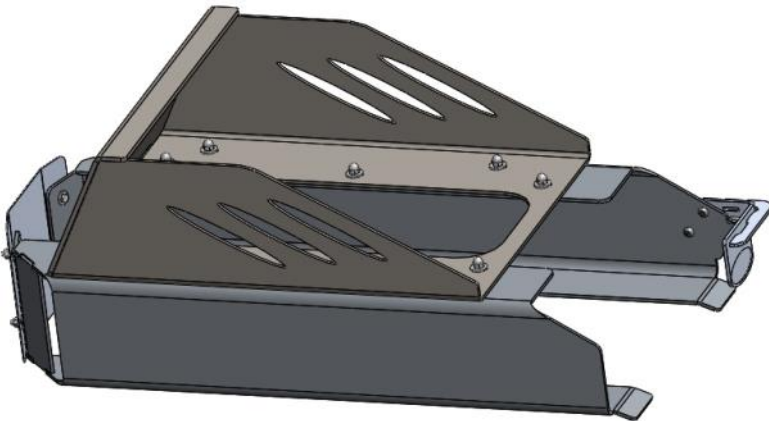
Assembly Procedure:

Carrier Dolly Mount is sold as each. You will need (2) ITD1347 Carrier Dolly Mounts to hold a set of standard Speed Dollies. The latch is on the right hand side of the operator as he or she faces the mount. The latch comes preassembled.



Step 1:

Attach left and right tire bunks to the steel weldment using 5/16" bolts washers and acorn nuts. Recommended torque of 25 Foot-Pounds. See image above. The holes are slotted in both directions to allow the optimum fitment for the Speed Dolly. Bolts should be firmly tightened. **NOTE:** Bolts should be checked after 4-5 uses to confirm tightness is adequate .



Step 2:

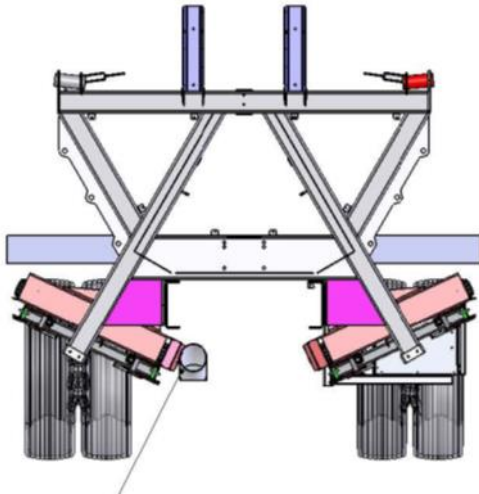
Install heat shield with aluminum spacers using included 1/4" hardware. The heat shield is intended to help protect the Speed Dolly tires from heat created from the vehicles exhaust system. The aluminum spacers are to be installed between the heat shield and tire bunk weldments (See image above).



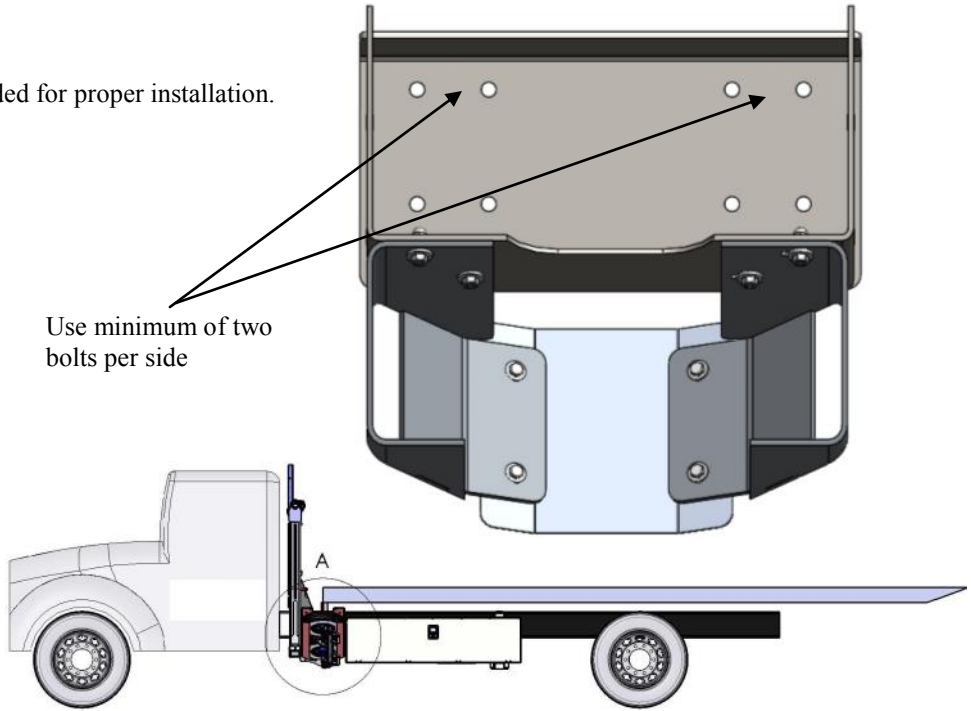
It is up to the installer to ensure adequate space between dolly mount and exhaust to prevent overheating the dolly tire.

Installation Procedure:

Four 1/2" Grade 5 bolts at a minimum are recommended for proper installation.
(See picture to the right)



Ensure adequate space to keep heat away from dolly tire.



Use minimum of two bolts per side

!
!

WARNING

This device is intended to mount a Speed Dolly ONLY to the frame of a carrier vehicle. NOT intended for XD Dolly storage.

This device is intended to be used with a linchpin or padlock to ensure the dolly remains safely stored. Never operate vehicle without the latch in the down / locked position and secured with linchpin or padlock.

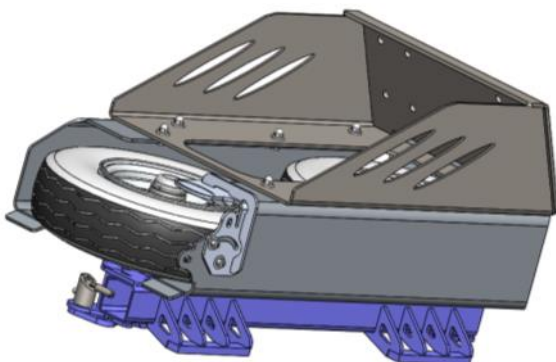
Bolts should be checked for adequate tightness after 4-5 uses.

Please check your local federal laws for any other regulations.

Operations:

The latch assembly will swing up out of the way to remove the Speed Dolly. After the Speed Dolly is returned to the mount, the vehicle is NOT to be operated with out the latch in the down / locked position and secured with a linchpin or padlock. Will fit 1/4" -3/8" linchpin or padlock.

Unload Position



Lock Position

