

# KIENE

DIESEL ACCESSORIES, INC.

## K-1280 Axle Shaft Remover

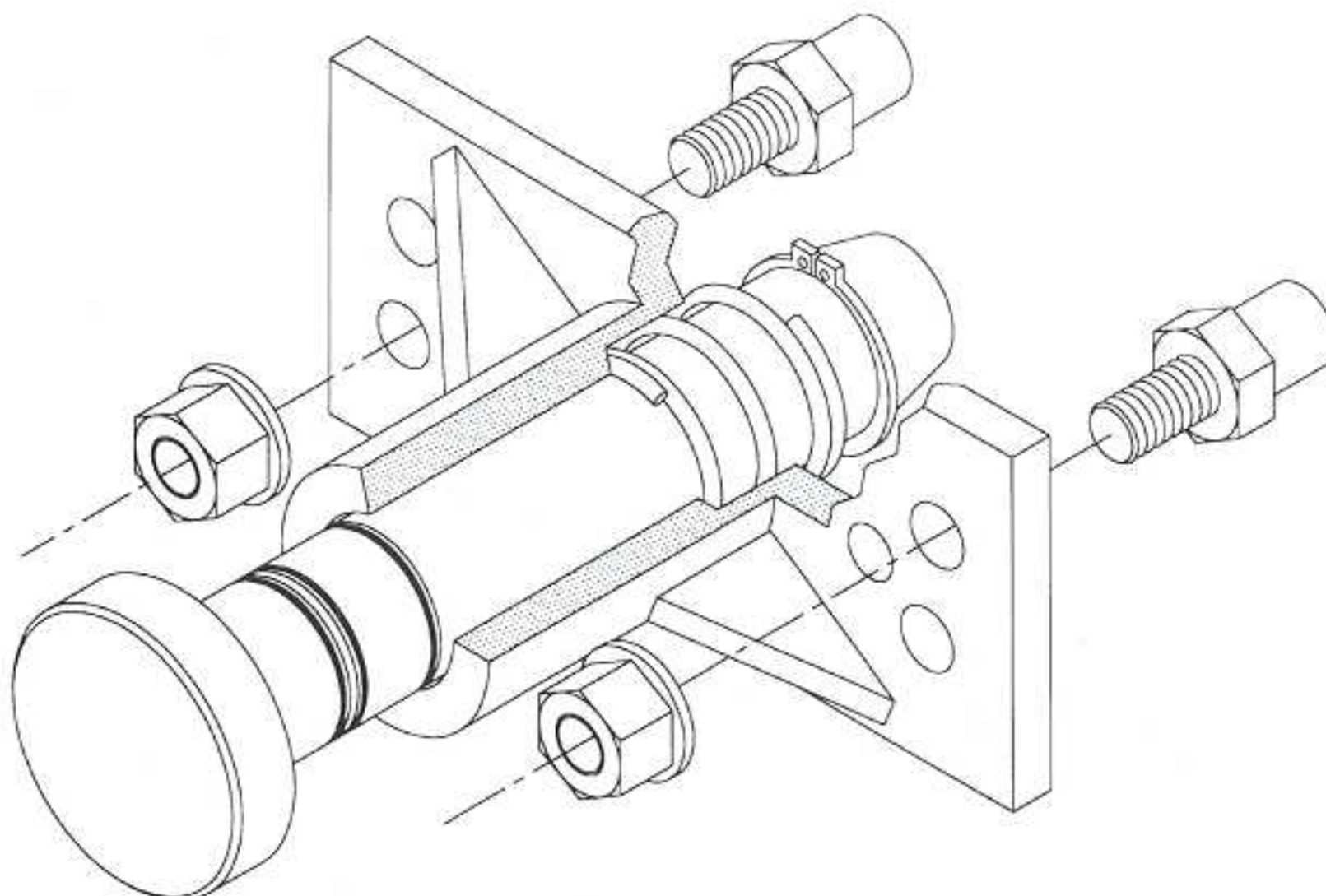
### ... Makes Axle Shaft Removal Easier, Faster and Safer

Removing drive axles is often frustrating and time consuming. It is usually done by hammering on the axle flange with a sledge or air hammer. This method is slow and often results in damaged studs which must be removed and replaced. In addition, flying pieces of the axle flange can cause serious injury.

Now there is a better way:

It's the Kiene K-1280 Axle Shaft remover.

- *Specially heat treated alloy drive pin provides large easy to hit target that extends well beyond the wheel.*
- *Speeds the removal process since the mechanic can hit harder and with greater accuracy*
- *Spring loaded drive pin maintains contact with axle flange*
- *It's a rugged, yet lightweight tool that installs in less than a minute.*



The patented K-1280 is a rugged tool made of special heat-treated steel. Installs in less than a minute. Eliminates damage to hub and studs.

It's an invention of Fleet Mechanic Ron Stillwell and manufactured by Kiene. A patented device that works every time no matter how badly the axle is stuck. Eliminates flying metal fragments because the hammer doesn't strike the axle itself. Saves money, too because it's a labor saver!

*Accommodates all Rockwell and Eaton Axles*



*Install Adapter Studs*



*Install Drive Pin Plate Assembly*



*Drive Pin provides easy-to-hit target*

The K-1280 is supplied with two Stud Adapters for 5/8-18 studs. Additional Stud Adapters are available individually as shown or as a kit (Part No. K-1282):

Part No.	Stud Thread	Part No.	Stud Thread
K-1280-7	1/2 - 20	K-1280-13	3/4-16
K-1280-8	9/16 - 18	K-1280-14	1/2 - 13
K-1280-9	5/8 - 18	K-1280-15	5/8 - 11

**MADE IN THE U.S.A.**

**KIENE Equipment ...**  
an investment in safety  
and productivity

**KIENE**  
DIESEL ACCESSORIES, INC.

325 S. Fairbank Street, Addison, IL 60101  
Phone: 1-800-264-5950 • 630-543-5950 • FAX: 630-543-5953  
www.kienediesel.com • E-mail: info@kienediesel.com