



► MicroPulse® C Series I External Mount/Perimeter Lights

FEATURES

- Superior warning with (6) or (8) high-powered LEDs
- Single-color and dual-color models available
- Includes Black surface mount bezel and stud mount; optional White and Chrome bezels are available
- Low-profile for discrete mounting
- Single/multi-unit synchronization
- Single-color models have (27) flash patterns. Dual-color models have (18) flash patterns
- Select dual-color combinations are available as Steady Burn models
- Five-year warranty

APPROVALS

Single-color Models

- SAE J845 Class 2 (Amber, Blue, Red, White)
- SAE J595 Class 1 (Amber, Blue, Red, White)
- CCR T13 Class B (Amber, Blue, Red)
- IP67

Dual-color Models

- SAE J845 Class 3 (Amber, Blue, Red, White)
- SAE J595 Class 2 (Amber, Red, White) and Class 1 (Blue)
- CCR T13 Class B (Amber, Blue, Red)
- IP67

High Performing Warning Light

MicroPulse® C Series lights are ideal for police cars, commander and work truck vehicles. The slim-line shape easily mounts on grille, rub rails, or other vertical surfaces. MicroPulse C Series models come in a variety of LED colors including Amber, Blue, Red and White, as well as dual-color combinations. Single-color models have (6) LEDs and dual-color models have (4) LEDs per color, for a total of (8) LEDs. The advanced high-output LED light head can be programmed to operate as a single unit or in synchronization with multiple MicroPulse light heads.

Select dual-color C Series models are also available in Steady Burn models for use with the Pathfinder® Siren. The combination of Steady Burn models and the Pathfinder Siren allow the Pathfinder to control lights around the vehicle by utilizing flash patterns in the siren, syncing/alternating light heads, and dimming light heads.

Built to Last

The MicroPulse C Series lens is made of UV resistant polycarbonate to protect against harsh conditions. Certified to meet IP67, the MicroPulse C Series has a fully encapsulated water-proof housing that provides a barrier against dust and water.

Models come standard with a Black bezel and stud mount. Optional White or Chrome bezels are also available.



Versatile Solution for Warning Light Application

Suitable for external mounting applications, each model includes a Black surface mount bezel and a stud mount. Shown below is the MicroPulse® C Series installed in the pre-drilled grille of the Ford Police Interceptor Utility, 2016-2019 and 2020-2021.



2016–2019 Police Interceptor Ford Utility grille shown without the light



MicroPulse C Series shown with optional stud mount for easy installation



MicroPulse C Series shown mounted in grille

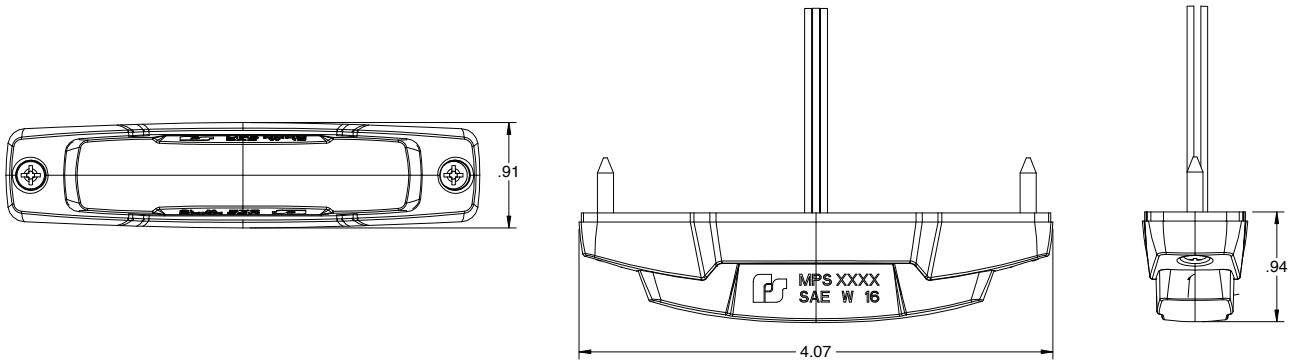
Single-color C Series Flash Patterns

Pattern	Name
1	Triple 92.3 (All)
2	Triple 90 (All)
3	Single 122 (All)
4	Single 75 (All)
5	Single 90 (All)
6	Single 113 (All)
7	Single 73 (All)
8	Double 73 (All)
9	Triple 73 (All)
10	Quad 73 (All)
11	Quint 73 (All)
12	Mega (All)
13	Ultra (All)
14	Single-Quad (All)
15	Single H/L (All)
16	Steady All (All)
17	Steady Half (California)
18	Random
19	Single (Split)
20	Double (Split)
21	Triple (Split)
22	Quad (Split)
23	Quint (Split)
24	Mega (Split)
25	Ultra (Split)
26	Single-Quad (Split)
27	Single H/L (Split)

Dual-color C Series Flash Patterns

Pattern	Name
1	Single 122 FPM
2	Single 90 FPM
3	Single 113 FPM
4	Triple Flash (2.04 Hz)
5	Triple Flash (1.25 Hz)
6	Double (R65)
7	Quad (2 Hz)
8	Random
9	Steady
10	Single
11	Mega
12	Double
13	Quad
14	Quint
15	Ultra
16	Single-Quad
17	Single-H/L
18	Single-Triple-Quint

Surface Mount



HOW TO ORDER

MicroPulse® C Series, Single-Color, Clear Lens Surface Mount and Stud Mount, 12 Vdc

MPSC-A	6-LED light head, Amber
MPSC-B	6-LED light head, Blue
MPSC-R	6-LED light head, Red
MPSC-W	6-LED light head, White

MicroPulse C Series, Dual-Color, Clear Lens Surface Mount and Stud Mount, 12 Vdc

MPSC2-RB	8-LED light head, Red/Blue
MPSC2-BW	8-LED light head, Blue/White
MPSC2-RW	8-LED light head, Red/White
MPSC2-AW	8-LED light head, Amber/White

MicroPulse C Series, Steady Burn, Dual-Color, Clear Lens, Surface Mount and Stud mount, 12 Vdc

MPSC2X-RB	8-LED light head, Red/Blue
MPSC2X-BW	8-LED light head, Blue/White
MPSC2X-RW	8-LED light head, Red/White

Accessories

MPSMC-1	Chrome bezel for (1) MicroPulse C Series light head
MPSMC-2	White bezel for (1) MicroPulse C Series light head
MPSMC-SPACRKT	Kit of four 5-degree rubbing mounting wedges for use with MPSC lights



Each model includes light head, Black bezel, surface and stud mount brackets, gaskets, and mounting hardware. Stud mount can be used to install the MicroPulse C Series in the pre-drilled grille of the Ford Police Interceptor Utility, 2016-2019 and 2020-2021 for quick and easy installation.



SPECIFICATIONS

Specifications

	Surface Mount	Stud Mount
Voltage	12 Vdc	12 Vdc
Amp Draw	0.7 A at 12 Vdc	0.7 A at 12 Vdc
Operating Temperature	-40°C to +80°C	-40°C to +80°C

Physical Specifications

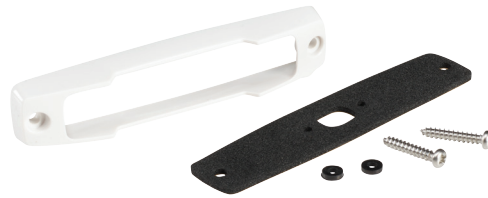
Height	0.91 in (2.3 cm)	0.7 in (1.8 cm)
Length	4.07 in (10.3 cm)	3.3 in (8.4 cm)
Width	0.94 in (2.4 cm)	0.94 in (2.4 cm)

Ship Weight

Surface Mount	0.8 lbs (0.4 kg)	Stud Mount	0.8 lbs (0.4 kg)
---------------	------------------	------------	------------------



Chrome Bezel



White Bezel

MicroPulse is a registered trademark of Federal Signal Corporation.

©2019-2021 Federal Signal Corporation. M4068 | 12021