

WHELEN[®]

ENGINEERING COMPANY INC.

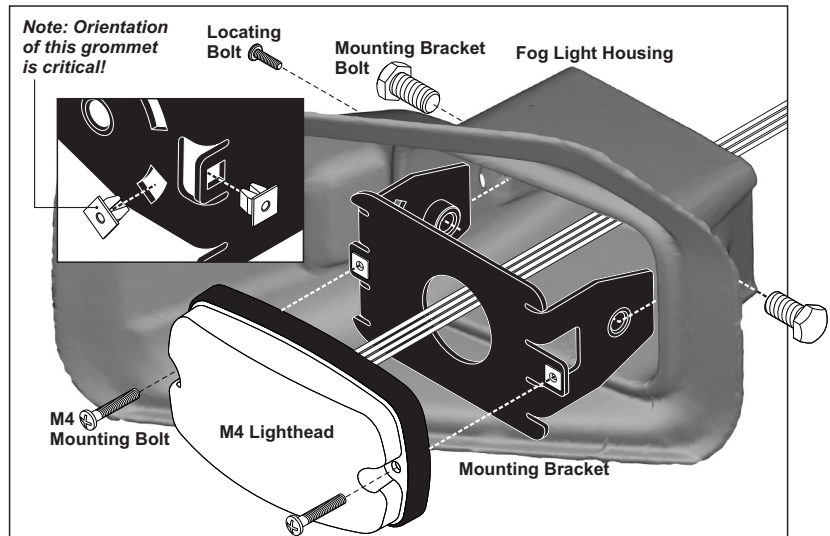
51 Winthrop Road,
Chester, Connecticut 06412-0684
Phone: (860) 526-9504

Installation Guide:
M4 Fog Light Replacement
2015 Ford F-150

Internet: www.whelen.com
Sales e-mail: autosale@whelen.com
Customer Service e-mail: custserv@whelen.com

Installation

1. Following the factory recommended procedure for your vehicle, remove the existing fog light/housing assembly from the vehicle.
2. Disconnect the fog light connector and remove any hardware used to secure the fog light to the housing. Carefully remove the fog light from the housing.
3. Install Fastex[®] grommets as shown. Secure the M4 lighthouse to the mounting bracket using the mounting hardware provided.
4. Insert the Lighthouse/bracket assembly into the fog light housing as shown. Do not pinch or kink the lighthouse wires.
5. Use the two mounting bracket bolts to firmly secure the lighthouse/bracket assembly to the fog light housing. Use the Locating Bolt to ensure proper vertical alignment of the lighthouse.
6. Return the fog light housing to its original location and following the factory recommended procedure, re-install it onto the vehicle.
7. Extend the lighthouse wires to its designated control switches. Refer to the instructions included with your M4 lighthouse for detailed information on wire functions, fusing and general operation.



©2015 Whelen Engineering Company Inc.
Form No.14946 (102715)

For warranty information regarding this product, visit www.whelen.com/warranty

WHELEN[®]

ENGINEERING COMPANY INC.

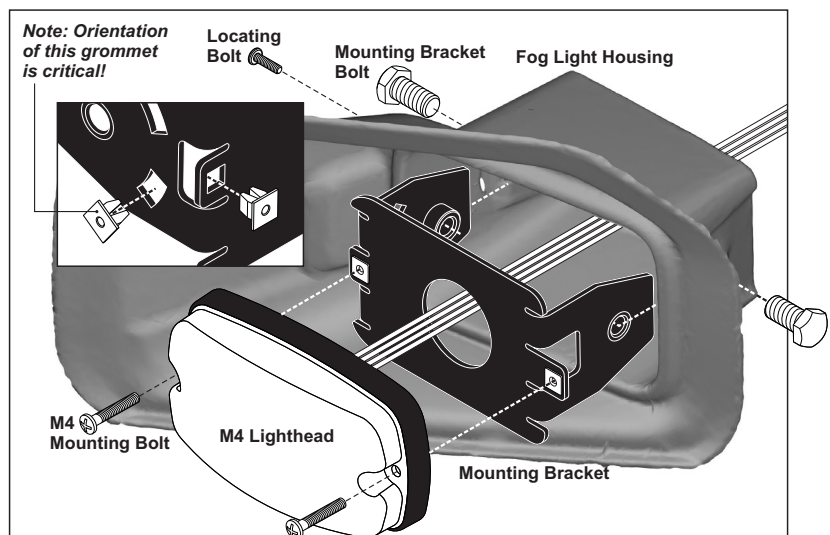
51 Winthrop Road,
Chester, Connecticut 06412-0684
Phone: (860) 526-9504

Installation Guide:
M4 Fog Light Replacement
2015 Ford F-150

Internet: www.whelen.com
Sales e-mail: autosale@whelen.com
Customer Service e-mail: custserv@whelen.com

Installation

1. Following the factory recommended procedure for your vehicle, remove the existing fog light/housing assembly from the vehicle.
2. Disconnect the fog light connector and remove any hardware used to secure the fog light to the housing. Carefully remove the fog light from the housing.
3. Install Fastex[®] grommets as shown. Secure the M4 lighthouse to the mounting bracket using the mounting hardware provided.
4. Insert the Lighthouse/bracket assembly into the fog light housing as shown. Do not pinch or kink the lighthouse wires.
5. Use the two mounting bracket bolts to firmly secure the lighthouse/bracket assembly to the fog light housing. Use the Locating Bolt to ensure proper vertical alignment of the lighthouse.
6. Return the fog light housing to its original location and following the factory recommended procedure, re-install it onto the vehicle.
7. Extend the lighthouse wires to its designated control switches. Refer to the instructions included with your M4 lighthouse for detailed information on wire functions, fusing and general operation.



©2015 Whelen Engineering Company Inc.
Form No.14946 (102715)

For warranty information regarding this product, visit www.whelen.com/warranty