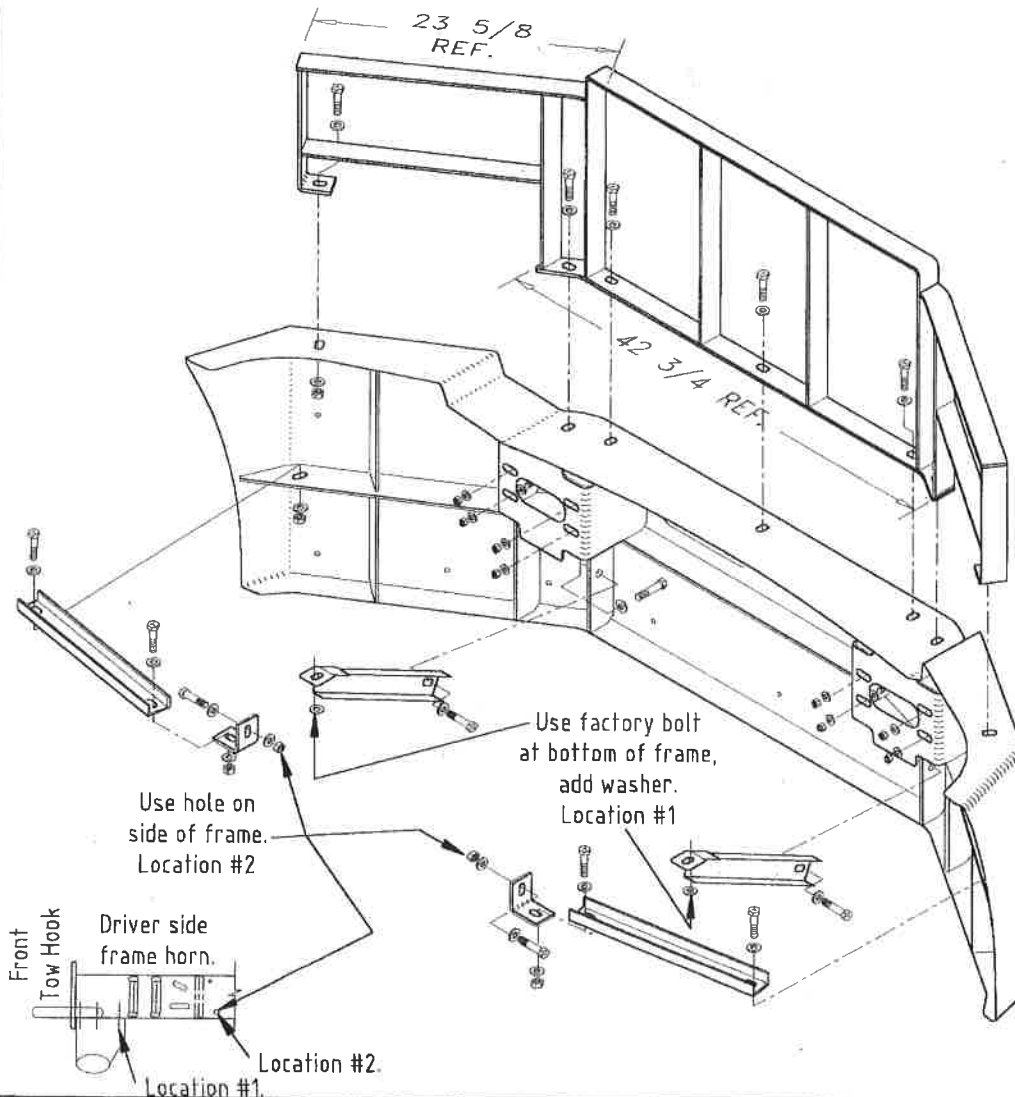
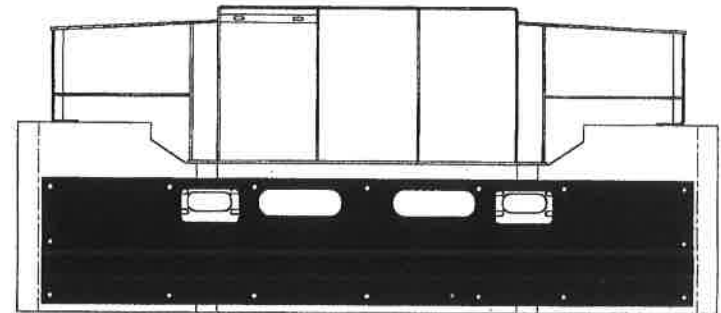


**PB-9010A-1C PUSH BUMPER.**

FITS: 2005+ FORD F450 & F550

PART #	DESCRIPTION	LBS	LENGTH	HEIGHT (C-E)
PB-9060	GRILLE WELDMENT	40	78 3/4	18 3/4 - 11 3/4
PB-9010A	BUMPER ASSEMBLY		83 1/2	18 1/4 - 22 3/8
PB-9040	INSTALL KIT	20		



**INSTALLATION PROCEDURE:**

1. Remove the factory bumper.
2. Loosely bolt bumper to the factory frame horn brackets.
3. Loosely bolt on the frame braces, frame side first.
4. Bolt on the grille guard.
5. Align bumper to truck & securely tighten all bolts.

**IMPORTANT NOTE:**

Use CAUTION on Air Bag equipped vehicles. Avoid impact which could activate the air bag sensor while pushing.