

12V

7Ah

NLP20



# INSANE PERFORMANCE. LITHIUM POWERSPORT BATTERY.™

2X

MORE POWER.

10X

MORE STARTS.

5X

LONGER LIFE.

## DYNAMIC BMS.

Equipped with an auto-enabled, advanced battery management system that provides maximum protection, performance, and bi-directional cell equalization for long-lasting stability. No BMS reset needed.

## ACTIVE PROTECTION.

Protects against over-charge, extreme-heat, short-circuit, over-discharge, extreme-cold, and over-current.

## SHOCK ABSORPTION.

Designed with a custom rubber dampening base and foam inserts to extend the life of the battery and keep connections secure.



NOCO

30339 Diamond Parkway, #102  
Glenwillow, OH 44139 | USA  
1.800.456.6626

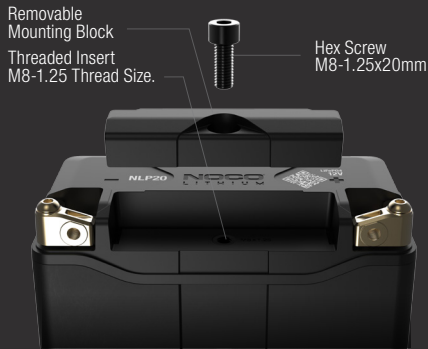
no.co

NOCO  
LITHIUM

NOCO

## UNIVERSAL MOUNTING.

Modular spacers can be added to alter the size and allow the battery to be safely and securely mounted. A removable mounting block allows the battery to fit more applications. The threaded insert enables direct-mounting for additional simplicity and security.



FEMALE.



SIDE.



TOP.



FRONT.



## MULTI-CONNECTION TERMINALS.

Equipped with premium IP66 waterproof copper PCB plates. NLP Terminals can be mounted from the front, side, or top, and can be removed altogether depending on the application.

## RAPID RECHARGE.

Use the Lithium mode on a Genius charger to fully recharge an NLP battery in minutes. See Genius models and charging times below.

## COMPATABLE SIZES.

### BCI SIZES

BTX20HL-BS  
B16L-B  
BTX15L-BS  
BTX20L  
B18L-A  
BTZ20L  
B16CL-B  
B50-N18L-A3  
BTX20L-BS  
BTX15L

### YUASA SIZES

GYZ20L  
GYZ20HL  
YTX20HL  
YIX20HL  
YTX20HL-PW  
YTX20HL-BS  
YTX20HL-BS-PW  
YTX15L  
YTX20L  
YTX15L-BS  
YTX20L-BS  
YB16HL-A-CX  
YB16L-B  
YTX20L-BS  
YB16CL-B  
SYB16L-B  
Y50-N18L-A3

### ETX SIZES

ETX16  
ETX16L  
ETX20L



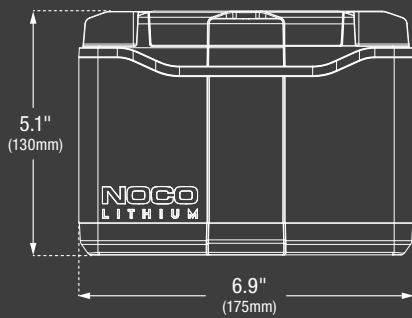
## RECHARGE TIME

GENIUS1	420 Minutes
GENIUS2	210 Minutes
GENIUS5	84 Minutes
GENIUS10	42 Minutes

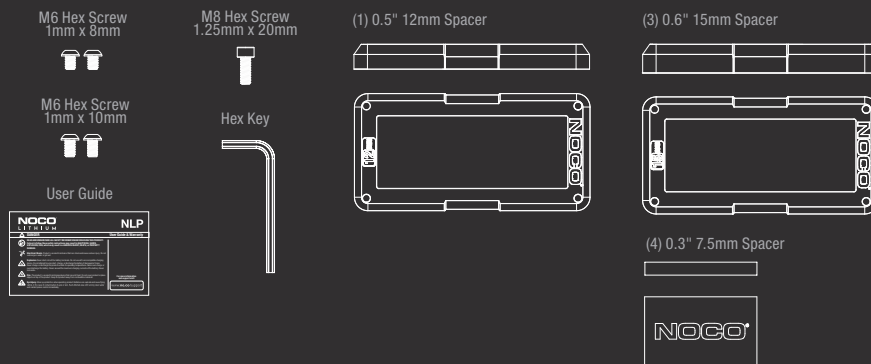
## TECHNICAL SPECIFICATIONS

BCI SIZE:	20
CHEMISTRY:	Lithium Iron Phosphate (LiFePO4)
NOMINAL VOLTAGE:	12.8
AMP-HOURS:	7
WATT-HOURS (WH):	89.6
STARTING CURRENT:	600
CHARGING VOLTAGE (V):	14.6V
CHARGING CURRENT (A):	21A (Max)
OPERATING TEMPERATURE:	-20°C to 60°C
CHARGING TEMPERATURE:	-10°C to 50°C
STORAGE TEMPERATURE:	-20°C to 60°C
WEIGHT:	3.73 lbs (1.70 kg)
VOLUMETRICS:	<p><b>Retail Packaging:</b> Dimensions: 7.83" x 3.7" x 8.15" Weight: 5.24 lbs UPC: 0-46221-19010-6</p> <p><b>Master Carton:</b> Dimensions: 16.73" x 8.98" x 8.82" Weight: 22.70 lbs Quantity: 4 UCG: 10046221190073</p> <p><b>Inner Carton:</b> Dimensions: 8.50" x 8.15" x 4.06" Weight: 5.48 lbs</p> <p><b>Units Per Pallet:</b> 160 Units</p>

## WHAT'S IN THE BOX



\*Accessories not to scale with NLP20



**NOCO**

30339 Diamond Parkway, #102  
Glenwillow, OH 44139 | USA  
1.800.456.6626

no.co

