



► FireRay® LED | Perimeter Light

FEATURES

- IP67 Rated for protection against dust and water
- Available in 4x3, 6x4, 7x3, and 9x7 models
- Warning lights, brake/tail/turn, arrow, back-up, and scene lights are available
- Warning models include steady burn pattern that can be connected to an external flasher or multiplex system
- Low power feature decreases warning lights to 40% of normal power
- LED colors available in Amber, Blue, Green, Red or White
- Lens colors available in Amber, Blue, Red, Green or Clear
- Available in single and split color with clear or colored lens
- 13 selectable flash patterns and 4 flashing modes: full flash, left/right split flash, top/bottom split flash, and criss-cross split flash
- Optional bezels available in Chrome or Black
- Surface mounts with or without a bezel. Fits industry standard bolt patterns
- Synchronize or alternate up to 15 units
- Optional Black or Chrome bezels sold separately
- Five-year warranty

APPROVALS

- Warning lights: SAE J745 and J595, CA Title 13, NFPA, and KKK
- Back-up lights: SAE J593
- Brake/Turn/Arrow light: SAE J2261
- Scene lights: AMD standard 024 and GSA KKK-A 1822F
- Taillight: SAE J2040

FireRay LED Perimeter Lights

The FireRay LED perimeter lights offer a variety of lighting options and sizes with a unique new look that accommodates multiple mounting applications on fire apparatus, ambulances, work trucks, and police vehicles. The FireRay series includes warning lights, brake/tail/turn, arrow, back-up, and scene lights with an optional black or chrome bezel. Warning lights are available in standard 4x3, 6x4, 7x3 and 9x7 and scene lights are available in 6x4, 7x3 and 9x7. Models are available in single and split-color with the option of either a clear or colored lens. LED color options include Amber, Blue, Red or White and lens color options include Amber, Blue, Red or Clear.



Certified IP67

FireRay® LED perimeter lights are certified to meet IP67. The Ingress Protection Marking classifies and rates the degree of protection provided against dust and water intrusion. The first digit in IP ratings indicate the level of protection against solids and the second digit indicates the level of protection against liquids. IP67 certified means that the FireRay is dust tight allowing for no ingress of dust and can be submerged in up to one meter of water for 30 minutes.



Warning Lights

Warning light models include 13 selectable flash patterns and 4 flashing modes: full flash, left/right split flash, top/bottom split flash, and criss-cross split flash. Warning models include a steady burn pattern that can be hooked up to an external flasher and a low power feature that decreases the light output by 40%. Fifteen units can be synchronized to flash together or alternate.

FireRay Brake/Tail/Turn Application

Brake/tail/turn, back-up and arrow models are available in 6x4 models. Horizontal 4-up and 3-up castings are available and require no special die-cut to the body of the vehicle.



Optional Chrome or Black bezel



9x7 Scene Light



4-Up bezel



Mode 1 - Top-Down Split Flash



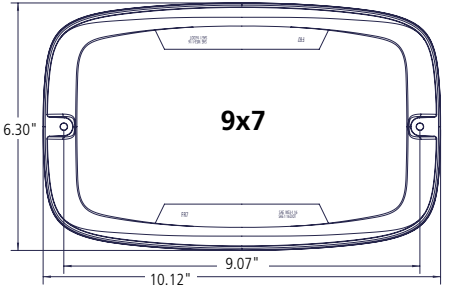
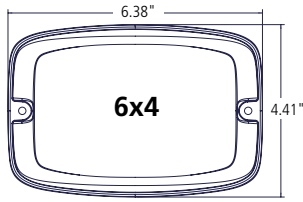
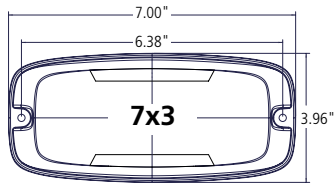
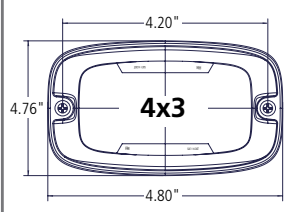
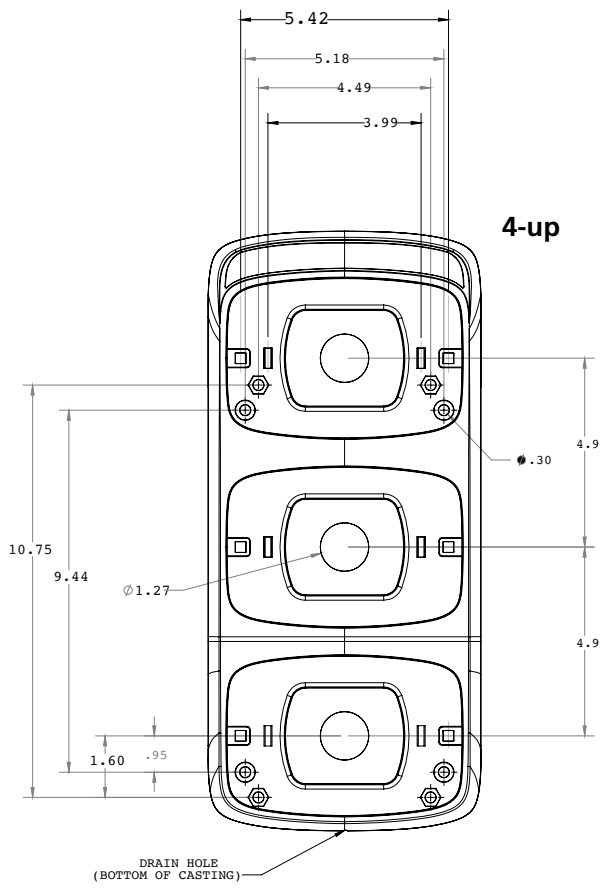
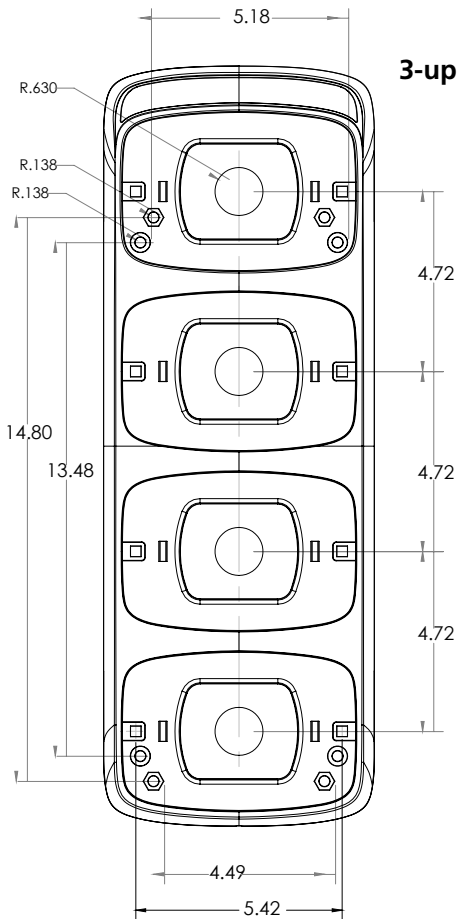
Mode 2 - Criss-cross Split Flash



Mode 3 - Left-Right Split Flash



Mode 4 - Full Flash



S P E C I F I C A T I O N S

MODEL	Current Draw	Input Voltage	Operating Temp	Physical Dimensions (H x W x D)	Ship Weight
4x3 Warning Lights	Max 1.0 A	12 VDC	-40° C - 65° C	4.8 in x 2.8 in x 0.9 in (12.2 cm x 7.1 cm x 2.3 cm)	0.18 lbs (0.8 kg)
6x4 Warning lights and scene lights	Max 1.0 A	12 VDC	-40° C - 65° C	6.4 in x 4.4 in x 1.3 in (16.3 cm x 11.2 cm x 3.3 cm)	0.26 lbs (0.12 kg)
6x4 Arrow	Max 1.0 A	12 VDC	-40° C - 65° C	6.4 in x 4.4 in x 1.3 in (16.3 cm x 11.2 cm x 3.3 cm)	0.26 lbs (0.12 kg)
6x4 Back-up	Max 1.0 A	12 VDC	-40° C - 65° C	6.4 in x 4.4 in x 1.3 in (16.3 cm x 11.2 cm x 3.3 cm)	0.26 lbs (0.12 kg)
7x3 Warning lights and scene lights	Max 1.0 A	12 VDC	-40° C - 65° C	7.0 in x 4.0 in x 1.1 in (17.8 cm x 10.2 cm x 2.8 cm)	0.30 lbs (0.14 kg)
9x7 Warning lights	Max 2.0 A	12 VDC	-40° C - 65° C	10.2 in x 6.3 in x 1.4 in (25.9 cm x 16.0 cm x 3.6 cm)	0.70 lbs (0.32 kg)
9x7 Scene lights	Max 5.7 A	12 VDC	-40° C - 65° C	10.8 in x 6.5 in x 2.2 in (27.4 cm x 16.5 cm x 5.6 cm)	1.80 lbs (0.82 kg)

Specify model

4x3 Models

FR4-R	Red lens, Red LED
FR4-B	Blue lens, Blue LED
FR4-A	Amber lens, Amber LED
FR4C-R	Clear lens, Red LED
FR4C-B	Clear lens, Blue LED
FR4C-A	Clear lens, Amber LED
FR4C-W	Clear lens, White LED
FR4C-RW	Clear lens, Red/White split
FR4C-AW	Clear lens, Amber/White split
FR4C-RB	Clear lens, Red/Blue split
FR4MC	Trim bezel, Chrome
FR4MB	Trim bezel, Black
FR4-A4HMC	Mounting kit to convert FireRay 4x3 to fit in QuadraFlare 4x3 mounting holes
FR-F150FOG	Bracket kit to mount (2) FireRay 4x3 lights in the fog light of the Ford F-150, 2018-2020

6x4 Models

FR6-R	Red lens, Red LED
FR6-B	Blue lens, Blue LED
FR6-A	Amber lens, Amber LED
FR6C-R	Clear lens, Red LED
FR6C-B	Clear lens, Blue LED
FR6C-A	Clear lens, Amber LED
FR6C-W	Clear lens, White LED
FR6C-RW	Clear lens, Red/White split
FR6C-BW	Clear lens, Blue/White split
FR6C-AW	Clear lens, Amber/White split
FR6C-RB	Clear lens, Red/Blue split
FR6LEDSCENE	Scene light, Clear lens
FR6-BACKUP	Back-up light, Clear lens
FR6-BTT	Brake/Tail/Turn, Red lens, Red LED
FR6C-BTT	Brake/Tail/Turn, Clear lens, Red LED
FR6-ARROW	Arrow, Amber lens, Amber LED
FR6MC	Trim bezel, Chrome
FR6MB	Trim bezel, Black
FR6MC4V	4-position Vertical casting, Chrome
FR6MB4V	4-position Vertical casting, Black
FR6MHL	Headlight mount kit
FR6MB3V	3-position vertical casting, Black
FR6MC3V	3-position vertical casting, Chrome
FR6-A4HMC	Mounting kit to convert FireRay 6x4 to fit in QuadraFlare mounting holes

7x3 Models

FR7-R	Red lens, Red LED
FR7-B	Blue lens, Blue LED
FR7-A	Amber lens, Amber LED
FR7C-R	Clear lens, Red LED
FR7C-B	Clear lens, Blue LED
FR7C-A	Clear lens, Amber LED
FR7C-W	Clear lens, White LED
FR7C-RW	Clear lens, Red/White split
FR7C-BW	Clear lens, Blue/White split
FR7C-AW	Clear lens, Amber/White split
FR7C-RB	Clear lens, Red/Blue split
FR7C-RA	Clear lens, Red/Amber split
FR7LEDSCENE	Scene light, Clear lens
FR7MC	Trim bezel, Chrome
FR7MB	Trim bezel, Black
FR7-A4HMC	Mounting kit to convert FireRay 7x3 to fit in QuadraFlare 7x3 mounting holes

9x7 Models

FR9-R	Red lens, Red LED
FR9-B	Blue lens, Blue LED
FR9-A	Amber lens, Amber LED
FR9C-R	Clear lens, Red LED
FR9C-B	Clear lens, Blue LED
FR9C-A	Clear lens, Amber LED
FR9C-W	Clear lens, White LED
FR9C-RW	Clear lens, Red/White split
FR9C-RB	Clear lens, Red/Blue split
FR9C-RA	Clear lens, Red/Amber split
FR9C-BA	Clear lens, Blue/Amber split
FR9C-BW	Clear lens, Blue/White split
FR9C-AW	Clear lens, Amber/White split
FR9LEDSCENE	Scene light, Clear lens
FR9MC	Trim bezel, Chrome
FR9MB	Trim bezel, Black
FR9MCSCENE	Trim bezel, Scene light, Chrome
FR9MBCSCENE	Trim bezel, Scene light, Black
FR9-A4HMC	Mounting kit to convert FireRay 9x7 to fit in QuadraFlare mounting holes

