



PRODUCT DATA SHEET

P/N: **K5011**
**FLATHEAD AXE
HANGER/POCKET KIT**



The Flathead Axe Hanger/Pocket Kit provides a secure locating solution for various flat head axes. Pocket and Positive locking brackets allow fast, easy storage and retrieval.

FEATURES

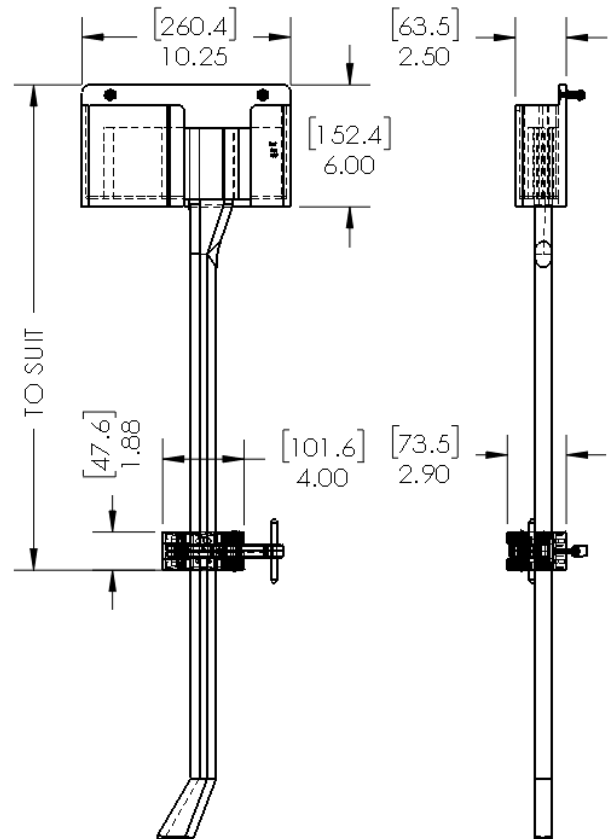
- Heavy duty construction
- Flexible mounting positions
- Mounts most flathead axes
- Weather, UV resistant
- Non-conductive
- Includes Stainless Steel fasteners
- Mounts to PAC tool boards and other flat surfaces

TYPICAL SPECIFICATION

Mounting bracket kit PAC PN K5011 shall include a hanger/pocket bracket and a strap bracket to locate and secure most flat head axes. Components shall be made from tough, corrosion free material. Hardware shall be stainless steel. Users shall be protected from conductivity.

SPECIFICATIONS

P/N	WT.	MAX LOAD	GRIP RANGE	FLAME TOXICITY CHEMICAL
1011	1.5lbs	N/A	UP TO 9-7/8" W	GOOD
1004	.4lbs	N/A	3/8"-1-3/4"	GOOD



Performance Advantage Company

Lancaster, New York

www.pactoolmounts.com

888-514-0083

REFERENCE	QTY	REMARKS	PROJECT
			LOCATION
			BUYER
			DEALER
			BUILDER
			SUBMITTED BY:
			DATE:



The Flathead Axe Hanger/Pocket Kit is designed to hold a Flathead Axe hanging OR supported as a pocket. The Flathead Axe Hanger/Pocket Kit includes the Flathead Axe Hanger/Pocket bracket (P/N 1011) and the Handlelok bracket (P/N 1004).

- Molded from high quality materials
- Easy to use
- Weather, UV resistant
- Non-conductive
- Mounts several ways

