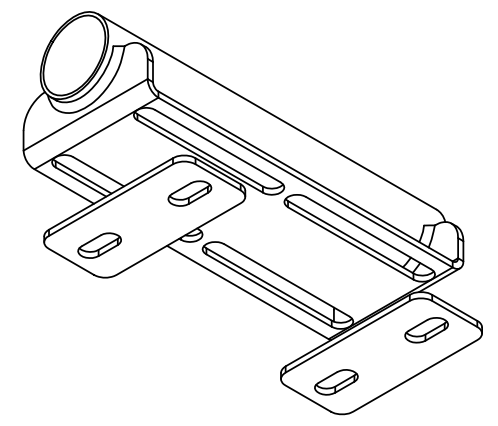
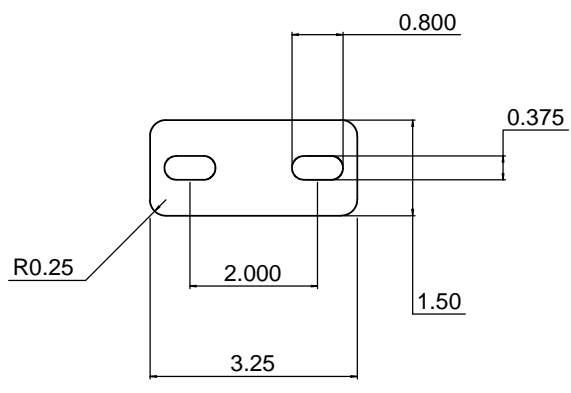
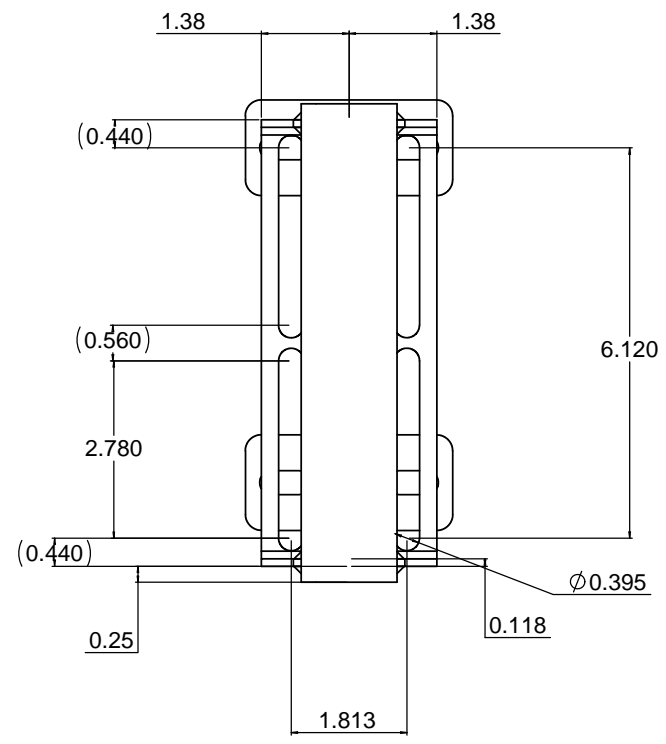
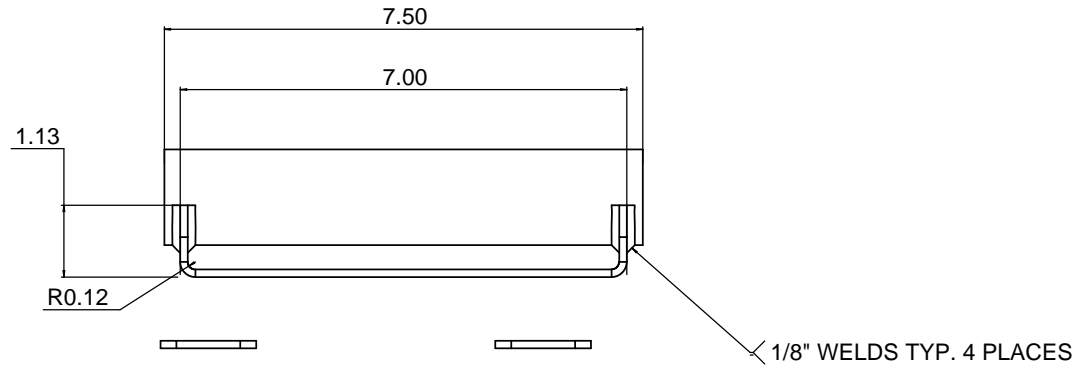
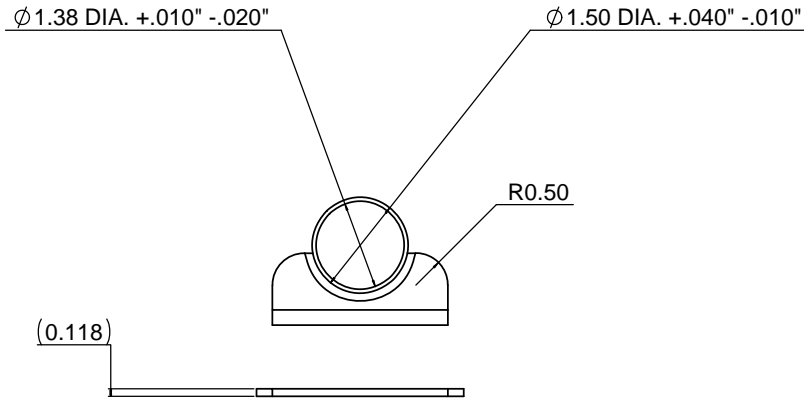


THE INFORMATION CONTAINED IN THIS DRAWING IS THE SOLE PROPERTY OF NATIONAL PRODUCTS INC. ANY REPRODUCTION IN PART OR WHOLE WITHOUT THE WRITTEN PERMISSION OF NATIONAL PRODUCTS INC. IS PROHIBITED.



DESIGNED BY: JIC		DATE: 12/16/03		BLACK POWDER COAT		NATIONAL PRODUCTS INC.	
CHECKED BY: CMR		DATE: 12/16/03		3MM THICK MILD STEEL		RAM VEHICLE BASE SIDE MOUNT WITH TUBE	
PART NO: RMR-VB-181		SCALE: 1:1		SHEET 1 OF 1		A1	