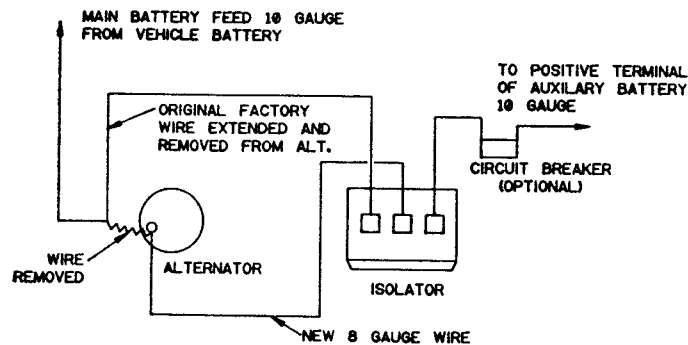
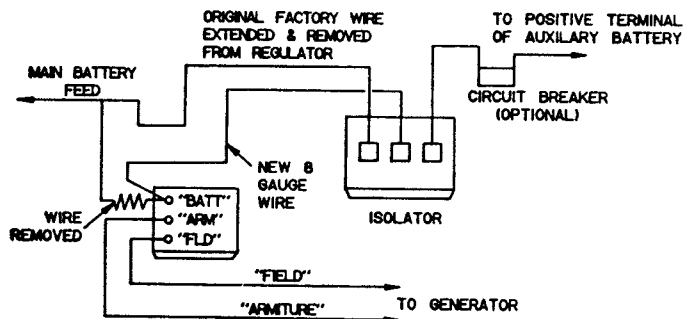


INSTALLATION INSTRUCTIONS FOR DUAL BATTERY ISOLATOR KITS #251144 AND #251145

- #1. Mount isolator under hood on fenderwell or other similar metal surface receiving good air flow.
- #2. Remove main battery wire (or wires) from alternator and attach to the isolator post marked "MAIN BATTERY". Generally, the wire will have to be extended with a like gauge of wire (10 gauge) to reach.
- #3. Connect a 8 gauge wire from the center terminal of the isolator back to the main battery terminal of the alternator.
NOTE: These two terminals should have no other wires connected to them.
- #4. Connect a 10 gauge wire to the remaining empty terminal of the isolator and route to the positive terminal of the auxiliary battery to complete the installation.



ALTERNATOR SYSTEM

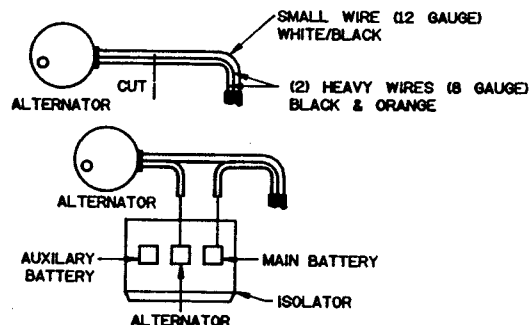


GENERATOR SYSTEM

- #1. Mount isolator under hood on fenderwell or other similar metal surface receiving good air flow.
- #2. Remove battery wire from voltage regulator and attach it to one outside post of isolator.
- #3. Connect 8 gauge wire from center terminal of isolator to "Batt" terminal of voltage regulator.
- #4. Connect a 10 gauge wire to the remaining empty terminal of the isolator and route to the positive terminal of the auxiliary battery to complete the installation.

FORDS: On late 1985 and up some vehicles have alternators with plug in wires instead of terminals.

- (1) Cut both heavy wires
- (2) Connect alternator side together and splice to center post of isolator
- (3) Connect other side of cut together and splice to main battery side of isolator
- (4) Connect auxiliary battery as described in conventional installation instructions



RAMSEY WINCH COMPANY
P.O. BOX 581510
TULSA, OKLAHOMA 74158