

WHELEN[®]

ENGINEERING COMPANY INC.

51 Winthrop Road
Chester, Connecticut 06412-0684
Phone: (860) 526-9504
Internet: www.whelen.com
Sales e-mail: autosale@whelen.com
Customer Service e-mail: custserv@whelen.com

Installation Guide:
Pioneer™ Series LED Floodlight
Recessed Mount

Warnings to Installers

Whelen's emergency vehicle warning devices must be properly mounted and wired in order to be effective and safe. Read and follow all of Whelen's written instructions when installing or using this device. Emergency vehicles are often operated under high speed stressful conditions which must be accounted for when installing all emergency warning devices. Controls should be placed within convenient reach of the operator so that they can operate the system without taking their eyes off the roadway. Emergency warning devices can require high electrical voltages and/or currents. Properly protect and use caution around live electrical connections. Grounding or shorting of electrical connections can cause high current arcing, which can cause personal injury and/or vehicle damage, including fire. Many electronic devices used in emergency vehicles can create or be affected by electromagnetic interference. Therefore, after installation of any electronic device it is necessary to test all electronic equipment simultaneously to insure that they operate free of interference from other components within the vehicle. Never power emergency warning equipment from the same circuit or share the same grounding circuit with radio communication equipment. All devices should be mounted in accordance with the manufacturer's instructions and securely fastened to vehicle elements of sufficient strength to withstand the forces applied to the device. Driver and/or passenger air bags (SRS) will affect the way equipment should be mounted. This device should be mounted by permanent installation and within the zones specified by the vehicle manufacturer, if any. Any device mounted in the deployment area of an air bag will damage or reduce the effectiveness of the air bag and may damage or dislodge the device. Installer must be sure that this device, its mounting hardware and electrical supply wiring does not interfere with the air bag or the SRS wiring or sensors. Mounting the unit inside the vehicle by a method other than permanent installation is not recommended as unit may become dislodged during swerving; sudden braking or collision. Failure to follow instructions can result in personal injury. Whelen assumes no liability for any loss resulting from the use of this warning device. **PROPER INSTALLATION COMBINED WITH OPERATOR TRAINING IN THE PROPER USE OF EMERGENCY WARNING DEVICES IS ESSENTIAL TO INSURE THE SAFETY OF EMERGENCY PERSONNEL AND THE PUBLIC.**

Warnings to Users

Whelen's emergency vehicle warning devices are intended to alert other operators and pedestrians to the presence and operation of emergency vehicles and personnel. However, the use of this or any other Whelen emergency warning device does not guarantee that you will have the right-of-way or that other drivers and pedestrians will properly heed an emergency warning signal. Never assume you have the right-of-way. It is your responsibility to proceed safely before entering an intersection, driving against traffic, responding at a high rate of speed, or walking on or around traffic lanes. Emergency vehicle warning devices should be tested on a daily basis to ensure that they operate properly. When in actual use, the operator must ensure that both visual and audible warnings are not blocked by vehicle components (i.e.: open trunks or compartment doors), people, vehicles, or other obstructions. It is the user's responsibility to understand and obey all laws regarding emergency warning devices. The user should be familiar with all applicable laws and regulations prior to the use of any emergency vehicle warning device. Whelen's audible warning devices are designed to project sound in a forward direction away from the vehicle occupants. However, because sustained periodic exposure to loud sounds can cause hearing loss, all audible warning devices should be installed and operated in accordance with the standards established by the National Fire Protection Association.

Safety First

This document provides all the necessary information to allow your Whelen product to be properly and safely installed. Before beginning the installation and/or operation of your new product, the installation technician and operator must read this manual completely. Important information is contained herein that could prevent serious injury or damage.

⚠ WARNING: This product can expose you to chemicals including Methylene Chloride which is known to the State of California to cause cancer, and Bisphenol A, which is known to the State of California to cause birth defects or other reproductive harm. For more information go to www.P65Warnings.ca.gov.

- **Proper installation of this product requires the installer to have a good understanding of automotive electronics, systems and procedures.**
- **Whelen Engineering requires the use of waterproof butt splices and/or connectors if that connector could be exposed to moisture.**
- **Any holes, either created or utilized by this product, should be made both air- and watertight using a sealant recommended by your vehicle manufacturer.**
- **Failure to use specified installation parts and/or hardware will void the product warranty.**
- **If mounting this product requires drilling holes, the installer MUST be sure that no vehicle components or other vital parts could be damaged by the drilling process. Check both sides of the mounting surface before drilling begins. Also de-burr the holes and remove any metal shards or remnants. Install grommets into all wire passage holes.**
- **If this manual states that this product may be mounted with suction cups, magnets, tape or Velcro®, clean the mounting surface with a 50/50 mix of isopropyl alcohol and water and dry thoroughly.**
- **Do not install this product or route any wires in the deployment area of your air bag. Equipment mounted or located in the air bag deployment area will damage or reduce the effectiveness of the air bag, or become a projectile that could cause serious personal injury or death. Refer to your vehicle owner's manual for the air bag deployment area. The User/Installer assumes full responsibility to determine proper mounting location, based on providing ultimate safety to all passengers inside the vehicle.**
- **For this product to operate at optimum efficiency, a good electrical connection to chassis ground must be made. The recommended procedure requires the product ground wire to be connected directly to the NEGATIVE (-) battery post (this does not include products that use cigar power cords).**
- **If this product uses a remote device for activation or control, make sure that this device is located in an area that allows both the vehicle and the device to be operated safely in any driving condition.**
- **Do not attempt to activate or control this device in a hazardous driving situation.**
- **This product contains either strobe light(s), halogen light(s), high-intensity LEDs or a combination of these lights. Do not stare directly into these lights. Momentary blindness and/or eye damage could result.**
- **Use only soap and water to clean the outer lens. Use of other chemicals could result in premature lens cracking (crazing) and discoloration. Lenses in this condition have significantly reduced effectiveness and should be replaced immediately. Inspect and operate this product regularly to confirm its proper operation and mounting condition. Do not use a pressure washer to clean this product.**
- **It is recommended that these instructions be stored in a safe place and referred to when performing maintenance and/or reinstallation of this product.**
- **FAILURE TO FOLLOW THESE SAFETY PRECAUTIONS AND INSTRUCTIONS COULD RESULT IN DAMAGE TO THE PRODUCT OR VEHICLE AND/OR SERIOUS INJURY TO YOU AND YOUR PASSENGERS!**

Mounting (Single and Dual Pioneer)...

- Using the information provided in the appropriate template, remove the required material from the proposed mounting surface. **NOTE: This installation requires a minimum 2" clearance behind the mounting surface.**
- Drill the mounting holes required using an appropriately sized drill bit (refer to the Mounting Hole Specifications shown below).
- The recessed housing (#3 or #4), depending on its orientation, allows the Pioneer to be mounted with either a 0° angle or 15° angle. When the desired angle has been determined, install the wire passage hole grommet and plug (#9) and the hole plugs (#8) in their appropriate holes. Route the cable through the recessed housing wire opening and secure the Pioneer to the recessed housing using the provided hardware (#2). Apply a drop of LocTite 242 to the threads of each of these screws prior to their installation. **Seal unused holes.**

IMPORTANT NOTE! This installation uses Rivnuts to secure the brackets to the vehicle. This type of hardware requires the use of a specialized installation tool. Refer to the owners manual included with this tool for proper installation techniques. Be sure to follow the mounting hole specifications precisely!

- With the Rivnuts (#5) properly installed, position the gasket (#6 or #7) over the mounting holes and position the recessed housing/Pioneer assembly onto the seal.
- Position the cover plate onto the recessed housing. Apply a drop of LocTite 242 to each of the six mounting screws (#1) and insert them into the appropriate Rivnut. Tighten each screw to 50 in/lbs.

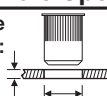
Wiring...

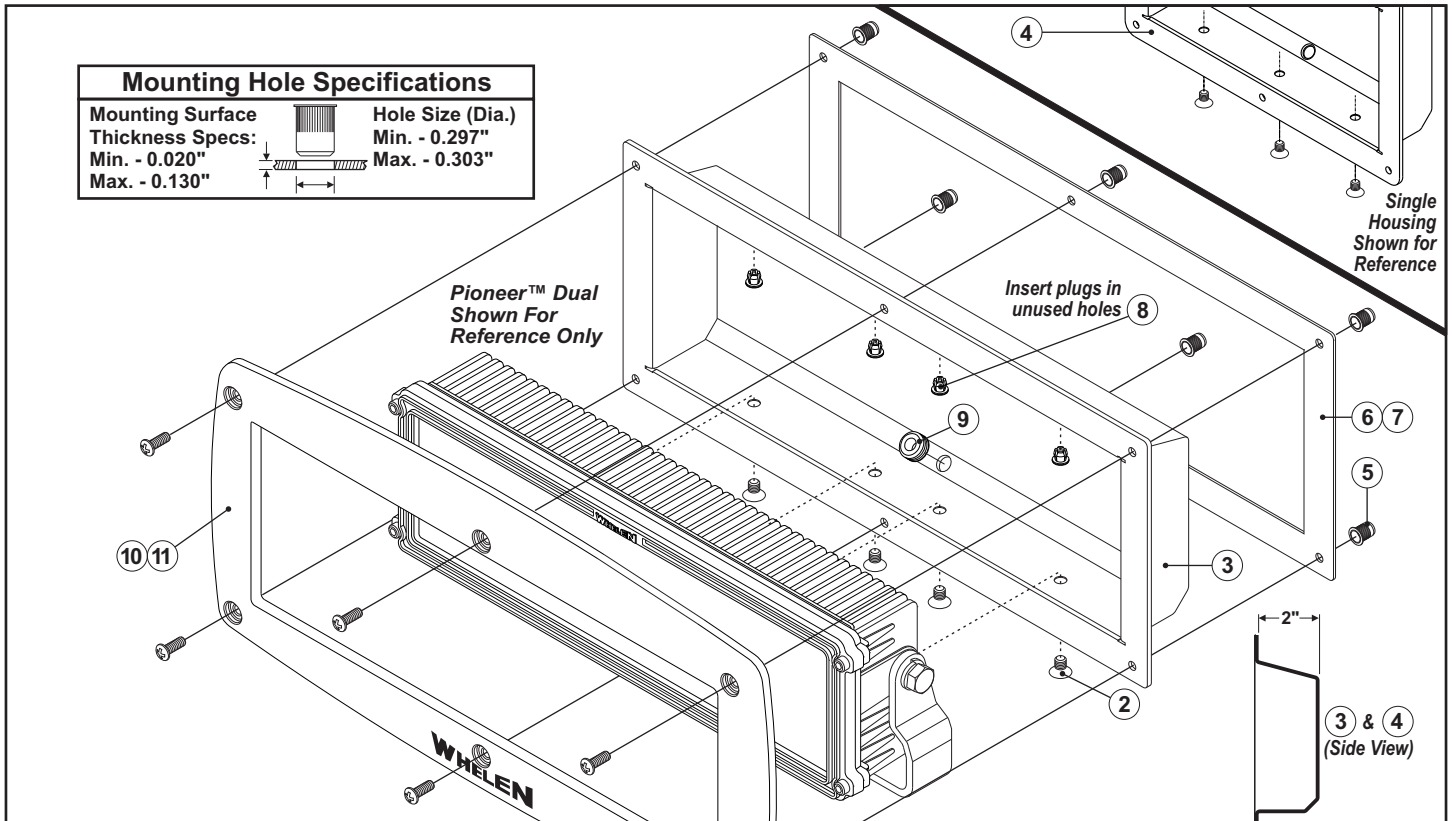
All customer supplied wires that connect to the positive terminal of the battery must be sized to supply at least 125% of the maximum operating current and FUSED at the battery to carry that load. DO NOT USE CIRCUIT BREAKERS WITH THIS PRODUCT!

Refer to the wiring guide included with your Pioneer for wire functions, fuse values and optional switch connections.

IMPORTANT! Before returning the vehicle to active service, visually confirm the proper operation of this product, as well as all vehicle components/equipment.

Mounting Hole Specifications

Mounting Surface Thickness Specs:		Hole Size (Dia.)
Min. - 0.020"		Min. - 0.297"
Max. - 0.130"		Max. - 0.303"



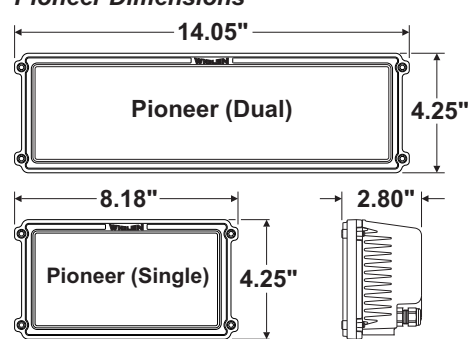
Pioneer™ Dual Shown For Reference Only

Insert plugs in unused holes

Single Housing Shown for Reference

3 & 4 (Side View)

Pioneer Dimensions



Pioneer (Dual) dimensions: 14.05" width, 4.25" height.

Pioneer (Single) dimensions: 8.18" width, 4.25" height.

Side view dimension: 2.80" depth.

IMPORTANT! LocTite® 242 must be applied to items #1 and #2!

QTY	QTY	ITEM	DESCRIPTION
*			Pioneer (Dual) Recessed Mounting Kit
	*		Pioneer (Single) Recessed Mounting Kit
6	6	1	Screw, #10-32 X 3/4 PPHMS
4	3	2	Screw, #10-24 X 3/8 PFHMS
-	1	3	Recessed Housing (Single)
1	-	4	Recessed Housing (Dual)
6	6	5	Rivnut, #10-32
-	1	6	Gasket (Single)
1	-	7	Gasket (Dual)
4	4	8	Hole Plug
1	1	9	Wire Passage Grommet or Wire Passage Plug (not shown)
-	1	10	Cover Plate (Single)
1	-	11	Cover Plate (Dual)

Mounting (Micro Pioneer, Single & Dual SlimLine Pioneer)...

Tools Required -

- 5/32" Allen Wrench
- 19/64" Drill Bit
- Phillips Screwdriver
- Rivnut™ Installation Tool
- Torque Wrench (in./lbs.)
- LocTite® 242® Threadlocker or equivalent product

- Using the information in the template provided, remove the required material from the proposed mounting surface. **NOTE: This installation requires a minimum 2" clearance behind the mounting surface.**
- Drill the mounting holes required using an appropriately sized drill bit (refer to the Mounting Hole Specifications shown below).
- The recessed housing (#10), depending on its orientation, allows the Pioneer to be mounted with either a 0° angle or 15° angle. When the desired angle has been determined, route the cable through the recessed housing wire opening and secure the Pioneer to the recessed housing using the provided hardware (#9). Apply a drop of LocTite 242 to the threads of each of these screws prior to their installation. **Seal the unused holes using the Hole Plugs provided (#13).**

IMPORTANT NOTE! This installation uses Rivnuts to secure the brackets to the vehicle. This type of hardware requires the use of a specialized installation tool. Refer to the owners manual included with this tool for proper installation techniques. Be sure to follow the mounting hole specifications precisely!

- With the Rivnuts (#12) properly installed, place the gasket (#11) over the mounting holes and position the recessed housing/Pioneer assembly onto the gasket.
- Position the cover plate onto the recessed housing. Apply a drop of LocTite 242 to each of the four mounting screws (#6) and insert them into the appropriate Rivnut. Tighten each screw to 50 in/lbs.

Wiring...

All customer supplied wires that connect to the positive terminal of the battery must be sized to supply at least 125% of the maximum operating current and FUSED at the battery to carry that load. **DO NOT USE CIRCUIT BREAKERS WITH THIS PRODUCT!**

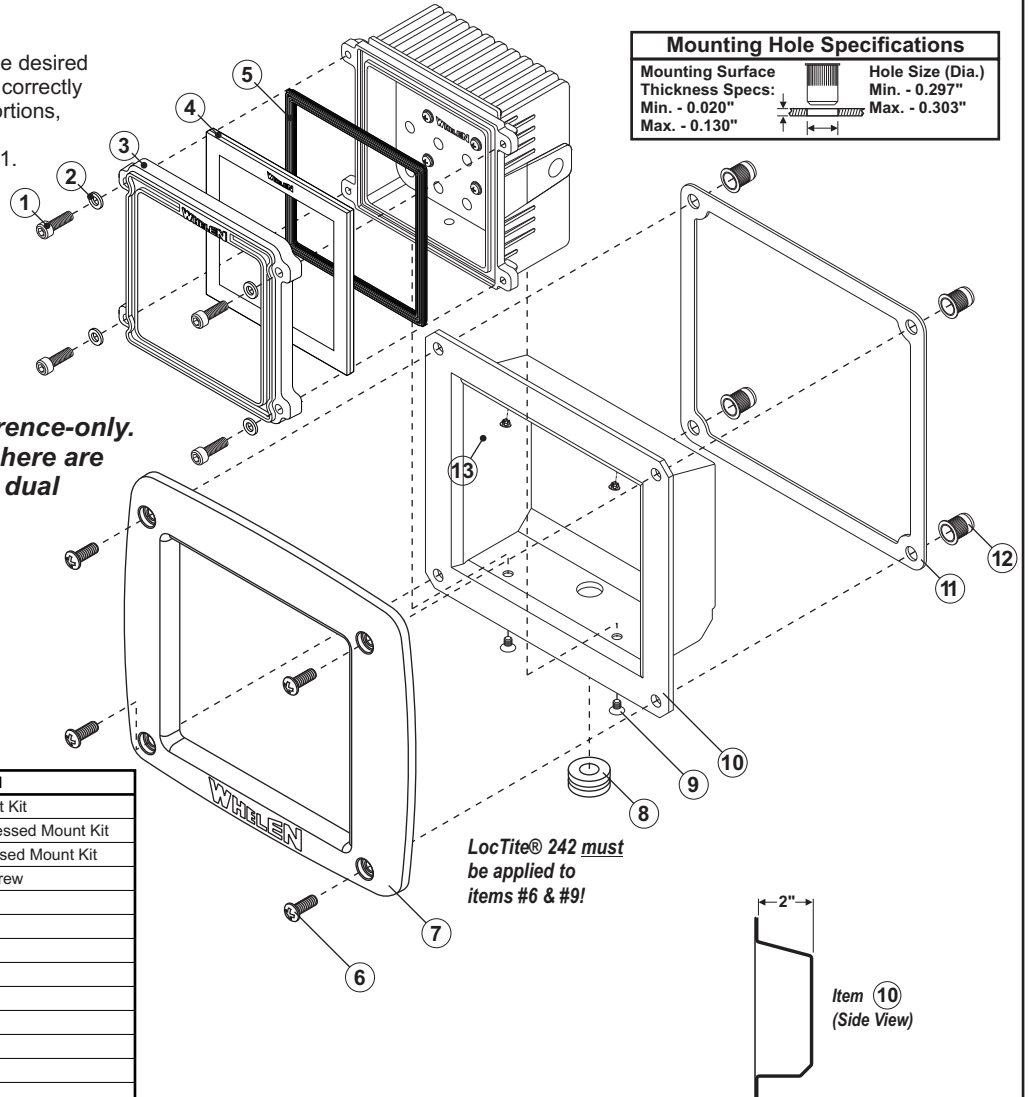
Refer to the wiring guide included with your Pioneer for wire functions, fuse values and optional switch connections.

IMPORTANT! Before returning the vehicle to active service, visually confirm the proper operation of this product, as well as all vehicle components/ equipment.

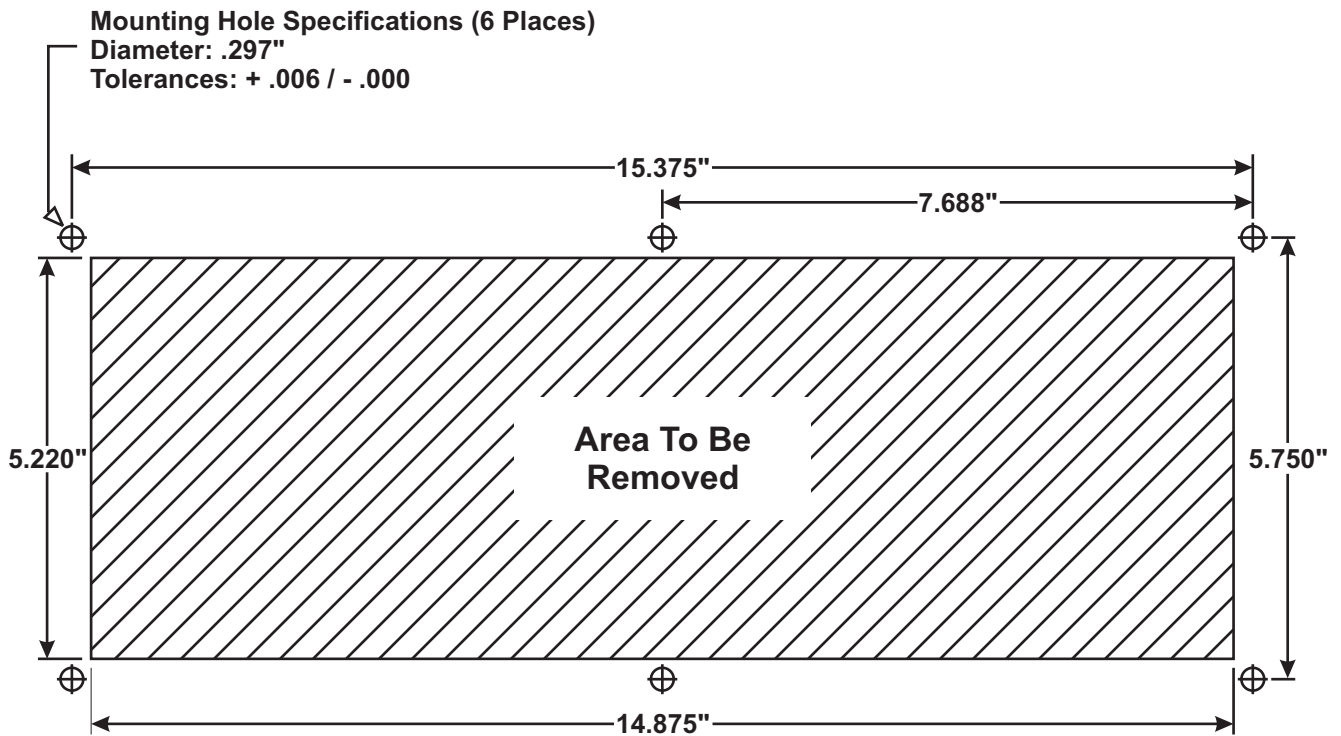
Lens Replacement Procedure:

- Remove items 1, 2 & 3.
- Replace the current lens (item 4) with the desired lens. Make sure that the seal (item 5) is correctly positioned and seated properly (no distortions, no puckering, etc.).
- Reinstall the hardware removed in step 1.

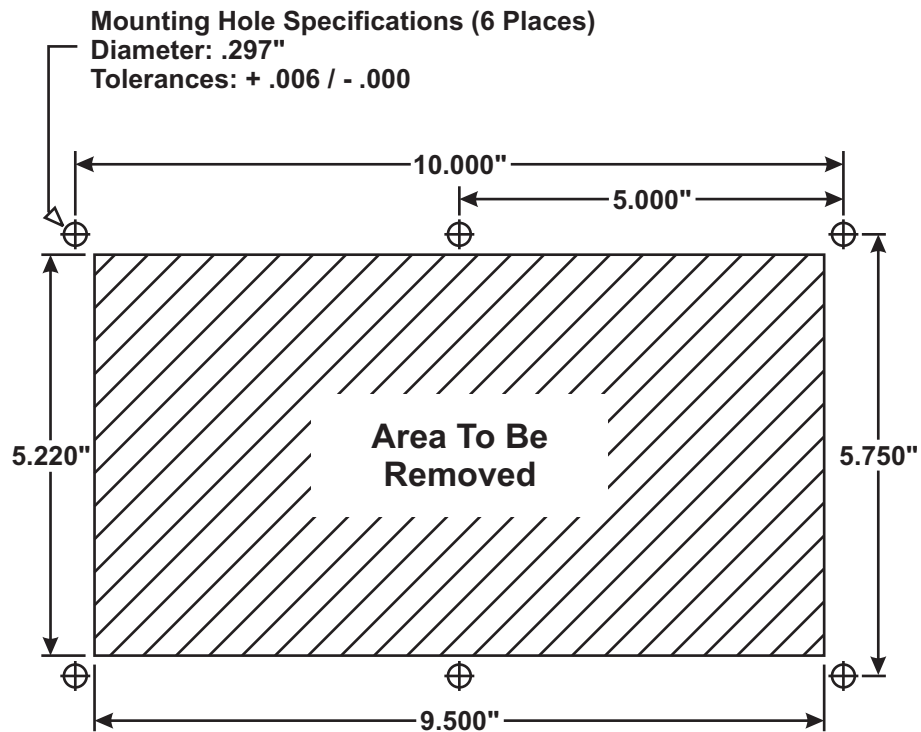
Micro Pioneer shown for reference-only. The lens components shown here are similar to both the single and dual SlimLine Pioneer.



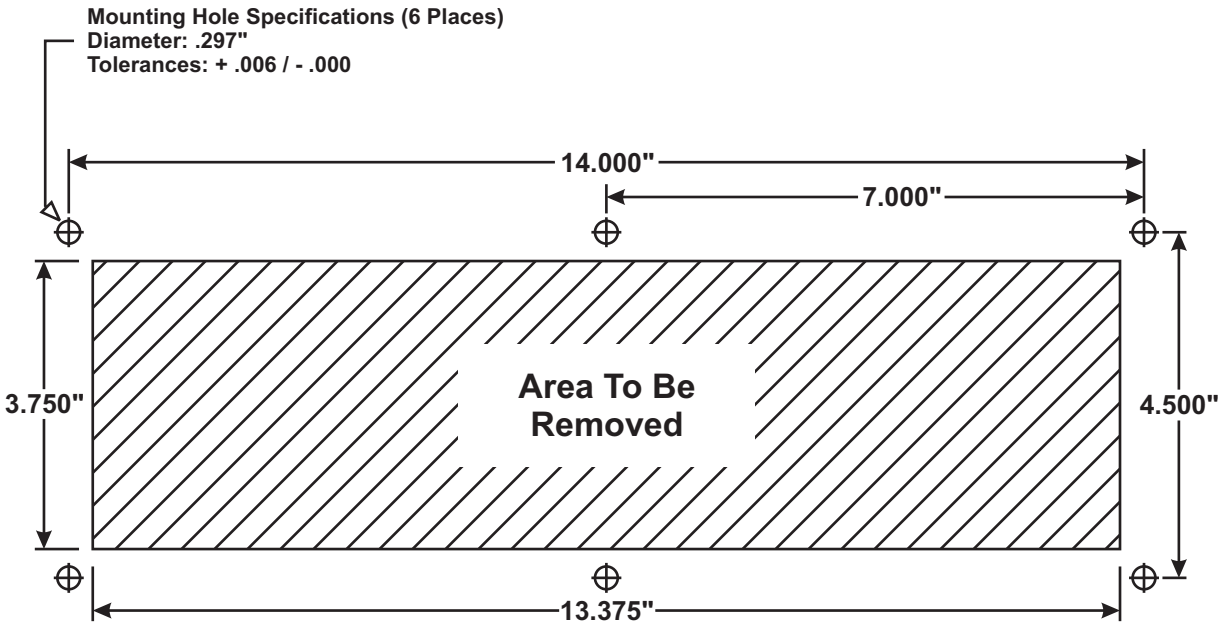
QTY	QTY	QTY	ITEM	DESCRIPTION
	•			Micro Pioneer™ Recessed Mount Kit
	•			SlimLine Pioneer™(Single) Recessed Mount Kit
	•			SlimLine Pioneer™(Dual) Recessed Mount Kit
4	4	4	1	10-24 x 5/8 Socket Head Cap Screw
4	4	4	2	Washer, Flat, Nylon
1	1	1	3	Retainer
1	1	1	4	Lens
1	1	1	5	Gasket, Lens
6	4	4	6	10-32 x 3/4 PPHMS
1	1	1	7	Cover, Recessed Mount
1	1	1	8	Grommet
4	3	2	9	Screw, 10-24 x 3/8 PFHMS
1	1	1	10	Housing, Recessed
1	1	1	11	Gasket, Recessed Mount
6	4	4	12	10-32 Rivnut®
4	3	2	13	Plug, Hole 7/32



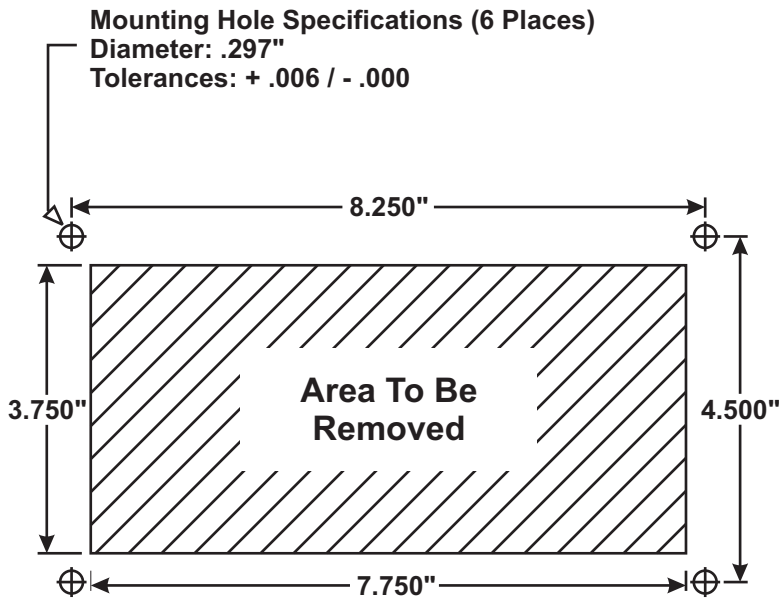
Template: Pioneer Dual
(Not To Scale)



Template: Pioneer Single
(Not To Scale)



Template: Pioneer SL Dual
(Not To Scale)

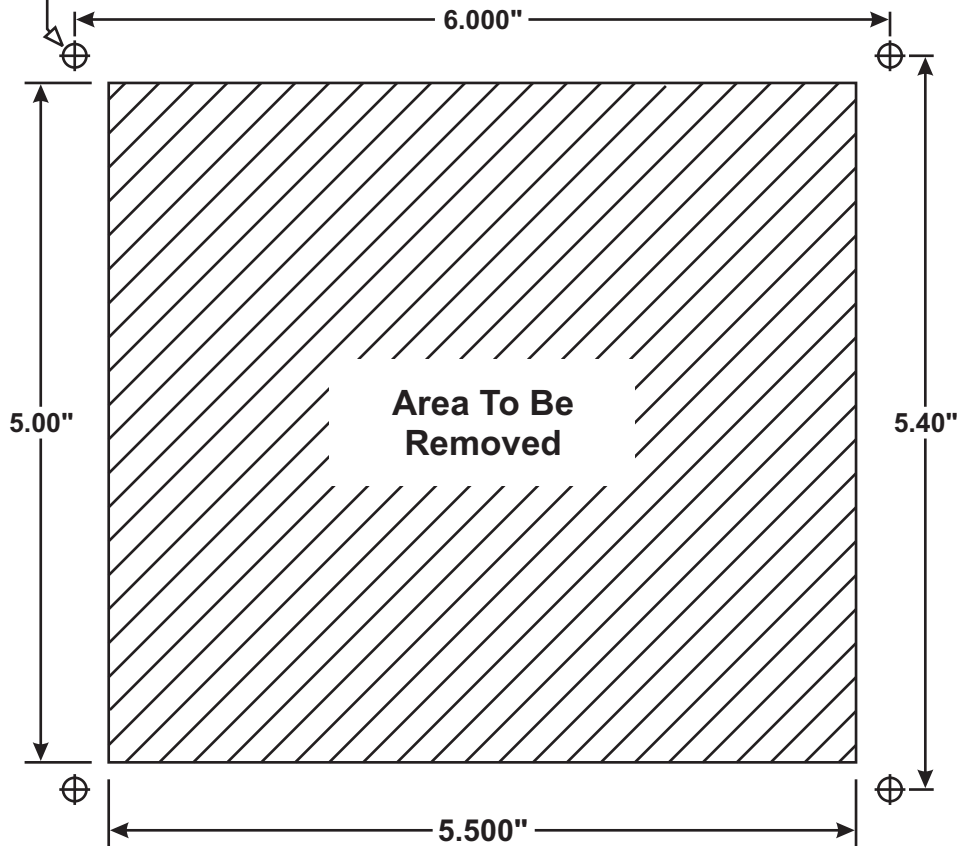


Template: Pioneer SL Single
(Not To Scale)

Mounting Hole Specifications (4 Places)

Diameter: .297"

Tolerances: + .006 / - .000



**Template: Pioneer Micro
(Not To Scale)**