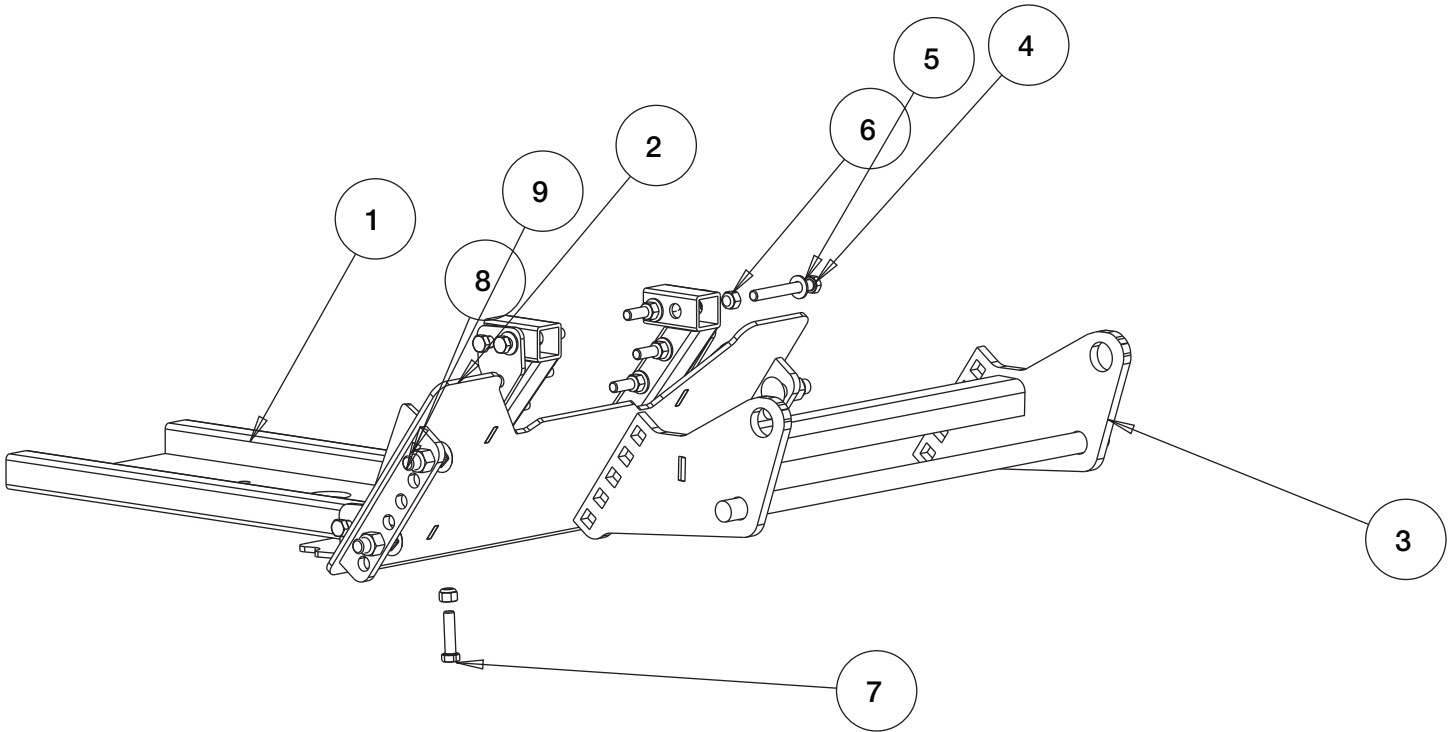


MOUNT KIT 16067400 2015+ MAHINDRA UTV



SnowDogg® Snowplow

TRUCK MOUNT INSTALLATION MANUAL

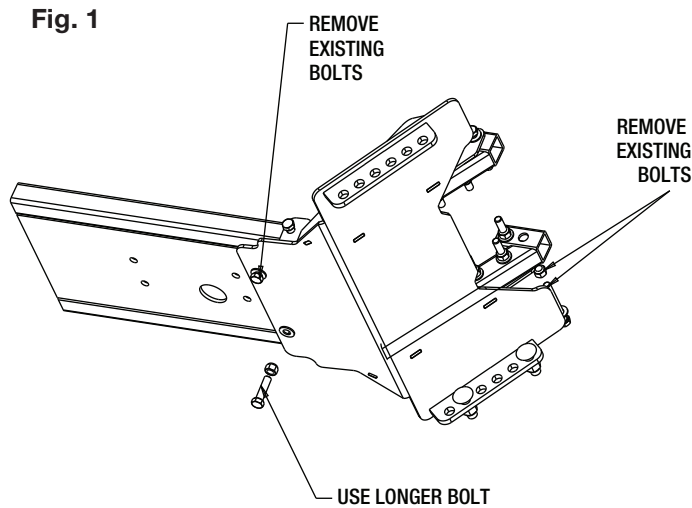


Parts List

ITEM	PART NO.	QTY.	DESCRIPTION
1	-	1	FRAME & SKIDPLATE
2	16067402	1	SKID PLATE, MAHINDRA
3	16067401	1	PUSH BAR, ASY, MAHINDRA
4	FCS038016300	10	SCREW, HHC 3/8-16 X 3, GR 5 ZN'
5	FWF038081006	18	WASHER, FLAT 3/8 SAE ZINC
6	FNE038016044	12	NUT, NYLOCK 3/8-16 X 7/16 ZINC
7	FCS038016150	2	SCREW, HX HD CAP 3/8-16 X 1-1/2 G5 ZN
8	3029357	4	BOLT, CARRIAGE 1/2-13 X 1.75 GR8 ZN
9	3002397	4	LOCKNUT, HEX NYLOCK, 1/2-13 ZN, G8

INSTRUCTIONS

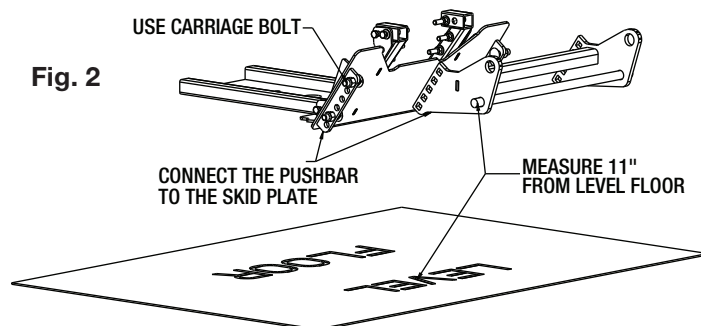
1. Remove four existing bolts from the PS Front square tubing of the vehicle. Repeat for the opposite side DS of the frame's square tubing. See fig 1.






2. Remove the two bolts from the bottom of the vehicle skid plate. Align the skid plate (2) assembly to these two bolt holes. Secure them with the two longer bolts (7) and two nuts (5).

3. On the side-frame of the square tubing, secure the four longer bolts (4) and four nuts (5) onto the existing holes removed earlier. Repeat the opposite side. See fig 1.

4. Connect the Pushbar assembly (3) onto the Skid plate assembly (2). Adjust the height to a desired height of 11 inches from the floor. Secure it with the four Carriage bolts (8) and four lock nuts (9). See fig. 2



5. Torque all fasteners as shown in the chart. Check and re-torque all fasteners after 5 hours of usage to ensure safe plow operation.

Recommended Fastener Torque Chart (ft.-lb.)			
Size	 SAE Grade 2	 SAE Grade 5	 SAE Grade 8
1/4-20	6	9	13
5/16-18	11	18	28
3/8-16	19	31	46
3/8-24	24	46	68
7/16-14	30	50	75
1/2-13	45	75	115
9/16-12	66	110	165
5/8-11	93	150	225
3/4-10	150	250	370
7/8-9	150	378	591
1-8	220	583	893
Metric Grade 8.8 (ft.-lb.)			
Size	Torque	Size	Torque
M6	7	M12	60
M8	17	M14	95
M10	35	M16	155
These torque values apply to fasteners except those noted in the instruction.			

WARNING

- DO NOT under any circumstances disable, remove or relocate any sensors or components related to the operation of the air bags.
- Always follow the vehicle manufacturers' recommendations relating to snowplow installation.
- To comply with Federal Regulations and to assure a safe vehicle, the Front Gross Axle Weight Rating (FGAWR), Rear Gross Axle Weight Rating (RGAWR), and the Gross Vehicle Weight Rating (GAWR) must not be exceeded at any time.
- Due to the variety of equipment that can be installed on this vehicle, it is necessary to verify that the Front Gross Axle Weight Rating (FGAWR), Rear Gross Axle Weight Rating (RGAWR), and the Gross Vehicle Weight Rating (GAWR) are not exceeded at any time. This may require weighing the vehicle and adding ballast as necessary. It may also limit payload capacity of the vehicle. It is the operator's responsibility to verify that these ratings are not exceeded.

CAUTION

- Read all instructions prior to assembly
- It is critical that all fasteners be properly torqued for safe plow operation – see chart above.
- Fasteners should be retorqued after 5-8 hours of plow use

FULL ONE-YEAR WARRANTY

Manufacturer will repair, or at manufacturer's discretion will replace any part of this snowplow which proves to be defective in workmanship or material under normal use for a period of one year from the date of delivery to the original purchaser. Any cost incurred in returning the product to the supplier is the responsibility of the consumer.

EXCLUSIONS

Manufacturer shall not be liable for special, incidental, or consequential damages, or for damages resulting from lack of necessary maintenance, from misuse, abuse, acts of God, or alteration of the product. Some states do not allow the exclusion or limitation of incidental or consequential damages, so the above limitation or exclusion may not apply to you.