



Ramsey Winch Company Owner's Manual Front Mount Electric Winch



PATRIOT PROFILE 6000 12 and 24 volt available

Layer of Cable	1	2	3	4
Rated Line Pull Per Layer (lbs)	6,000	5,000	4,400	3,800
(kg)	2,720	2,260	1,990	1,720
Cumulative Cable Capacity Per Layer (ft)*	20	50	80	100
(1/4" - 6mm - dia. Cable) (m)*	6	15	24	30

PATRIOT PROFILE 8000 12 and 24 volt available

Layer of Cable	1	2	3	4
Rated Line Pull Per Layer (lbs)	8,000	6,500	5,500	4,800
(kg)	3,620	2,940	2,490	2,170
Cumulative Cable Capacity Per Layer (ft)*	15	40	70	95
(5/16" - 8mm - dia. Cable) (m)*	4	12	21	28

Line Pull First Layer (lbs)	NO LOAD	1,000	3,000	5,000	6,000
(kg)		450	1,350	2,260	2,720
Line Speed First Layer (FPM)		23	20	14	12
12V	45				
24V	46	24	19	15	12
Line Speed First Layer (MPM)		7	6.1	4.3	3.7
12V	13.7				
24V	14	7.3	5.8	4.6	3.7
Amp Draw					
12V	100	200	270	350	405
24V	43	90	128	170	190

Line Pull First Layer (lbs)	NO LOAD	2,000	4,000	6,000	8,000
(kg)		900	1,810	2,720	3,620
Line Speed First Layer (FPM)		18	13	10	8
12V	35				
24V	30	17	13	10	8
Line Speed First Layer (MPM)		5.5	4	3	2.4
12V	10.7				
24V	9.1	5.2	4	3	2.4
Amp Draw					
12V	95	210	270	355	420
24V	43	93	125	160	200

PATRIOT PROFILE 9000 12 volt only available

Layer of Cable	1	2	3	4	5
Rated Line Pull Per Layer (lbs)	9,000	7,300	6,200	5,400	4,700
(kg)	4,070	3,300	2,800	2,440	2,130
Cumulative Cable Capacity Per Layer (ft)*	15	35	60	90	105
(5/16" - 8mm - dia. Cable) (m)*	4	10	18	27	32

PATRIOT PROFILE 9500 12 and 24 volt available

Layer of Cable	1	2	3	4	5
Rated Line Pull Per Layer (lbs)	9,500	7,700	6,500	5,700	4,900
(kg)	4,309	3,480	2,940	2,580	2,210
Cumulative Cable Capacity Per Layer (ft)*	15	35	60	90	105
(5/16" - 8mm - dia. Cable) (m)*	4	10	18	27	32

Line Pull First Layer (lbs)	NO LOAD	2,000	4,000	6,000	9,000
(kg)		900	1,810	2,720	4,070
Line Speed First Layer (FPM)		15	11	9	7
12V	29				
24V	29	16	13	10	9
Line Speed First Layer (MPM)		4.6	3.3	2.7	2.1
12V	8.8				
24V	8.8	4.9	4.0	3.0	2.4
Amp Draw					
12V	90	190	245	315	400
24V	45	95	128	165	212

Line Pull First Layer (lbs)	NO LOAD	2,000	4,000	6,000	8,000	9,500
(kg)		900	1,810	2,720	3,620	4,309
Line Speed First Layer (FPM)		16.7	12.7	10.6	9	7.8
12V	35.4					
24V	29	16	13	10	9	8
Line Speed First Layer (MPM)		5.1	3.8	3.2	2.7	2.3
12V	10.7					
24V	8.8	4.9	4.0	3.0	2.7	2.4
Amp Draw						
12V	97	180	260	335	395	430
24V	45	95	128	165	192	212

* Depends on cable being uniformly wound onto drum.

* Depends on cable being uniformly wound onto drum.

Congratulations

You have purchased the finest winch available in its service class. It features a highly efficient 3 stage planetary gear set which transmits torque from a series wound DC motor. A safe positive clutch allows free spooling for quick cable deployment. An automatic load holding brake is designed to hold the fully rated capacity of the winch. It was designed and manufactured to provide you with the utmost in utility. As with any device that combines power and movement in its use, there are dangers if improperly used. At the same time, there are easier ways for getting the job done if certain precautions are taken first.

Please read this manual carefully. It contains useful ideas in obtaining

the most efficient operation from your Ramsey Winch and safety procedures you need to know before beginning use. When you follow our guidelines for operation, your Ramsey Winch will give you many years of satisfying service. Thank you for choosing Ramsey. You will be glad you have one working for you.

Please note: Ramsey Patriot Profile series winches are designed for front mount vehicle use. The winches are not designed for and should not be used in industrial applications (car haulers/carriers, wreckers, hoisting, etc.), and Ramsey does not warrant them to be suitable for such use. Ramsey makes a separate, complete line of winches for industrial/commercial use. Please contact the factory for further information.



CAUTION: Read and understand this manual before installation and operation of winch. See Safety Precautions!

Table of Contents

Performance Specifications	Front Cover
Safety Precautions3
Tips for Safe Operation3
Techniques of Operation4
Installation5-8
Operating Instructions9
Electrical Connections and Operation9
Lubrication/Cable Installation9
Troubleshooting Guide10
Winch Parts List11-15
WarrantyBack Cover



Safety Precautions

To Guard against Possible Injury...

A minimum of five wraps of cable around the drum barrel is necessary to hold the rated load. Cable clamp is not designed to hold the load.

- A. Keep yourself and others a safe distance to the side of the cable when pulling under load.
- B. Do not step over a cable, or near a cable under load.
- C. Use supplied hook strap when handling hook for spooling wire rope.
- D. Do not move the vehicle to pull a load on the winch cable. This could result in cable breakage and/or winch damage.
- E. Use a heavy rag or gloves to protect hands from burrs when handling winch cable.
- F. Apply blocks to wheels when vehicle is on an incline.
- G. Winch clutch should be disengaged when winch is not in use and fully engaged when in use.
- H. Modification, alteration, or deviation to the winch should only be made by Ramsey Winch Company.
- I. Keep the duration of your pulls as short as possible. If the motor becomes uncomfortably hot to the touch, stop and let it cool for a few minutes. Do not pull more than one minute at or near rated load. Do not maintain power to the winch if the motor stalls. Electric winches are for intermittent usage and should not be used in constant duty applications.
- J. Disconnect the remote control switch from the winch when not in use. A Ramsey Part No. 282053 safety on-off switch in your vehicle is recommended.
- K. NOTE: Do not use winch in hoisting applications due to required hoist safety factors and features.
- L. Do not exceed maximum line pull ratings shown in tables. Shock loads must not exceed these ratings.
- M. To respool correctly, it is necessary to keep a slight load on the cable. This can be accomplished by (wearing gloves) holding the cable with one hand and the remote control switch with the other, starting as far back and in the center as you can, walking up keeping load on the cable as the winch is powered in. Do not allow the cable to slip through your hand and do not approach the winch too closely. Turn off the winch and repeat the procedure until all the cable except a few feet is in. Disconnect the

remote control switch and finish spooling in cable by rotating the drum by hand with clutch disengaged. On hidden winches, spool in cable under power using supplied hook strap.



Tips for Safe Operation

Don't underestimate the potential danger in winching operations. Neither should you fear them. Do learn the basic dangers and avoid them.

Observe the spooling of cable onto drum. Side pulls can cause cable to pileup at one end of the drum. To correct uneven stacking, spool out that section of the cable and move it to the other end of the drum and continue winching. Uneven spooling which causes cable pileup can interfere with the solenoid housing causing damage to the winch.

Store the remote control switch inside your vehicle where it will not become damaged. Inspect it before you plug it in.

When ready to begin spooling in, plug in remote control switch with clutch disengaged. Do not engage clutch with motor running.

Never connect the hook back to the cable. This causes cable damage. Always use a sling or chain of suitable strength, as shown in the illustration.

Observe your winch while winching, if possible, while standing at a safe distance. If you use vehicle drive to assist, stop and get out every few feet to assure the cable is not piling up in one corner. Jamming cable can break your winch.

Do not attach tow hooks to winch mounting apparatus. They must attach to vehicle frame.

When double lining during stationary winching, the winch hook should be attached to the chassis of the vehicle.

Since the greatest pulling power is achieved on the innermost layer of your winch, it is desirable to pull off as much line as you can for heavy pulls. If this is not practical, use a snatch block and double the arrangement (see illustration).

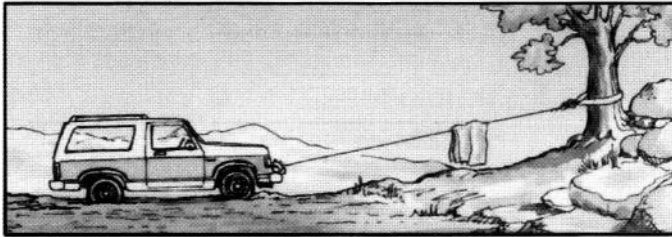
Remember, a minimum of 5 wraps of cable around the drum barrel is necessary to hold the rated load.

Neat, tight spooling avoids cable binding which is caused when a load is applied and the cable is pinched between two others. If this happens, alternately power the winch in and out a few inches. Do not attempt to work a bound cable under load, free by hand.

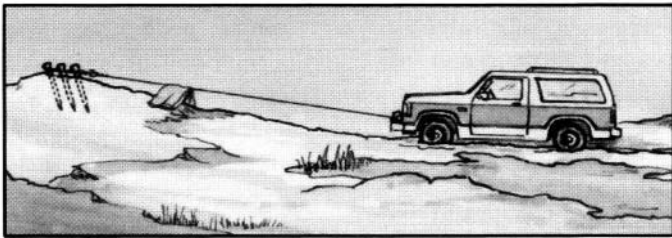
Techniques of Operation

The best way to get acquainted with how your winch operates is to make a few test runs before you actually need to use it. Plan your test in advance. Remember you hear your winch as well as see it operate. Get to recognize the sound of a light steady pull, a heavy pull, and sounds caused by load jerking or shifting. Soon you will gain confidence in operating your winch and its use will become second nature with you.

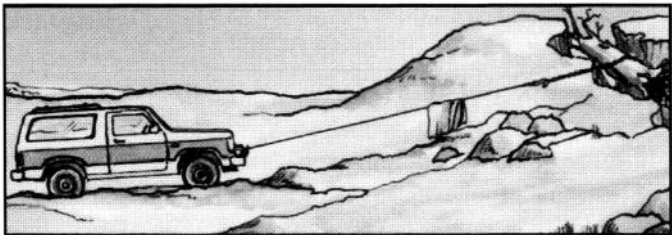
Your winch will not only pull your vehicle up or ease your vehicle down a steep grade, it will also pull another vehicle or a load while your vehicle is anchored in a stationary position. The sketches on this page show you a few techniques.



For basic self-recovery, anchor to a tree or heavy rock. When anchoring to a tree, always use a tree trunk protector.



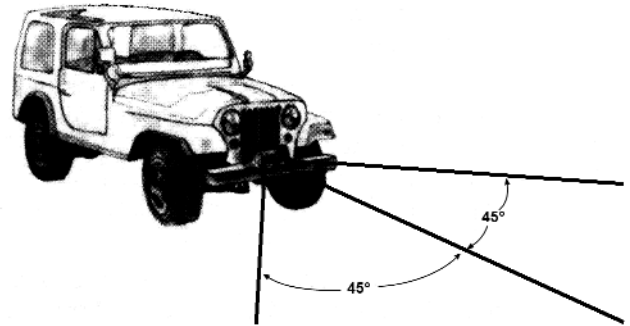
Stakes driven in solid earth and chained together make a good anchor point for self-recovery when no solid anchor point is available.



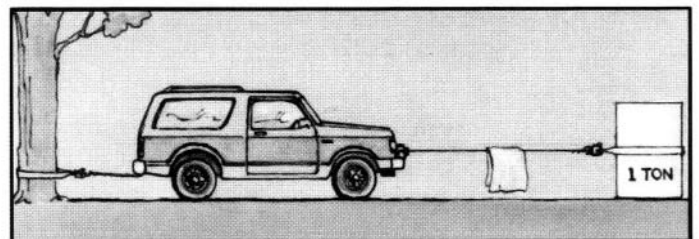
For a solid anchor, bury a log with earth or sand or place it in a deep ravine.

When pulling a heavy load, place a blanket, jacket or tarpaulin over the cable five or six feet from the hook. It will slow the snap back in the event of a broken cable. Also, open the vehicle hood for additional protection.

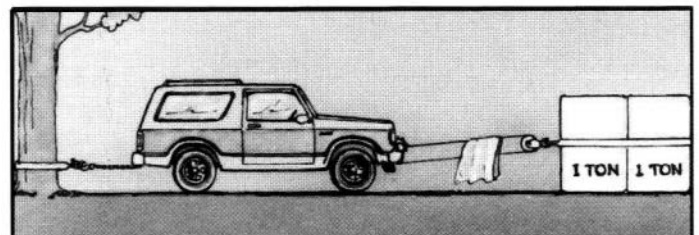
Use the vehicle wheel power to help the winch, but don't overtake the winch line. Plan your pull. You can't always hook up and pull out in one step. Examine all the areas for anchoring possibilities as well as leverage situations, direction, and goal.



Winches equipped with cable guide fairleads can pull from several directions. Pull from an angle only to straighten up the vehicle—otherwise you can damage structural members or other parts of your vehicle and cause excess cable buildup on one end of the winch drum.



For a direct pull of 2000 lbs., hitch truck to a tree or solid anchor, and take out of gear.



To double the pull, use 2-part line and tie off to chassis. Take out of gear.

Installation

The winch shown in this owner's manual is solely and exclusively designed for vehicle mounted, non-industrial applications. All other applications will void warranty.

NOTE: For specific bull-bar applications, the shifter lever on the winch may need to be repositioned. Refer to pages 7-8 for instructions in how to do this.

It is very important that the winch be mounted on a flat surface so that the three major sections (the motor end, the cable drum, and the gear housing end) are properly aligned. It is recommended that Ramsey kits be used to mount the winch. They are designed to align the winch and distribute up to the full rated load evenly, to avoid possible damage to the winch or vehicle.

NOTE: If recommended mounting is not used, a kit of equal design must be used.

Also available for mounting the Patriot Profile 6000, 8000, 9000 and 9500 are the following winch mounting channels:

- #251126 short length (23.63") black
- #251127 medium length (30.00") black
- #251128 long length (36.00") black

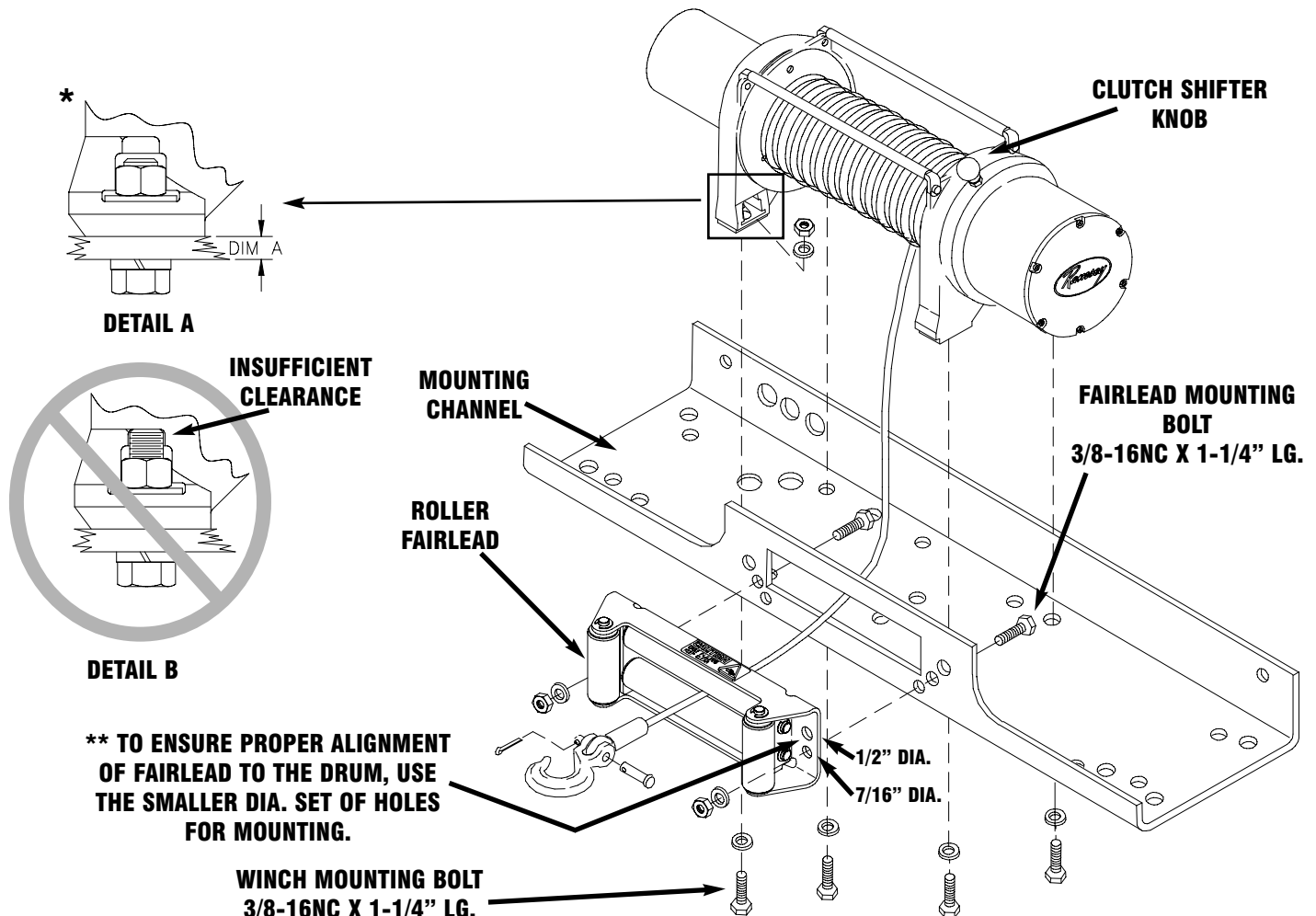
It is recommended that Ramsey mounting channels be used with all non-Ramsey mounting.

For mounting the winch with a standard mounting channel, such as those available from Ramsey, use (4) 1-1/4" long mounting bolts as shown below.

* **In specific Bull Bar installations,** (2) 1-3/4" long bolts (included) may need to be substituted for 1-1/4" bolts to mount the winch properly. Refer to Detail A below: if the mounting thickness (dimension A) is .25" or less, use 1-1/4" long bolts. If dimension A is greater than .25", you should use 1-3/4" long bolts. If dimension A is between .25" and .56", washers may need to be added to the 1-3/4" bolts to prevent the end of the bolt from hitting the winch foot, as shown in Detail B.

Do not use the longer bolts unless needed. Using bolts that are too long may cause damage to the winch. After tightening mounting bolts, confirm that they have sufficient clearance (see Detail B) above the end of the bolt. Some thread should be visible above the nut.

** **For mounting to Bull Bar,** the roller fairlead may need to be rotated 180° to ensure proper alignment to drum.



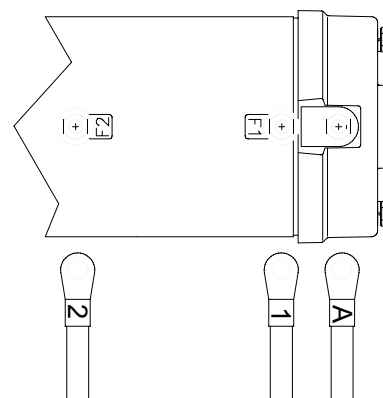
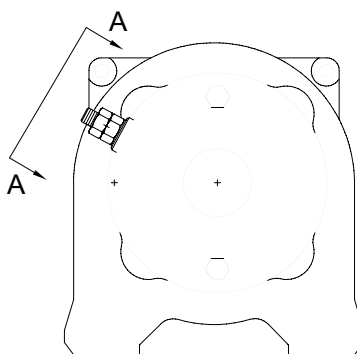
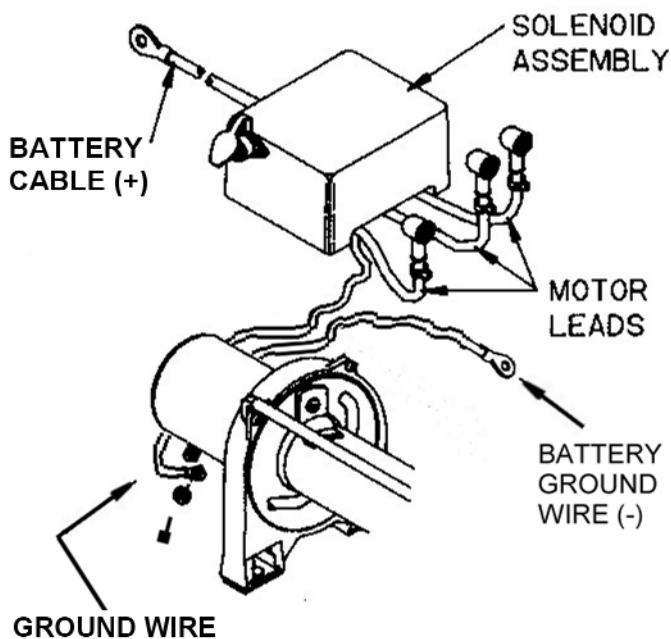
Attach fairlead to channel using hardware furnished with winch. Attach winch to channel. Thread capscrews with lockwashers through mounting holes in channel and into winch feet (see Figure previous page).

Substitution of attaching hardware items (bolts, nuts or washers) different from those supplied with your winch and mounting kit can lead to failure causing damage or serious injury (use SAE grade 5 bolts or better and torque to 34 ft.lbs.).

Place end of wire rope through fairlead and attach cable hook. Use clevis pin and cotter pin.

To mount Solenoid Assembly, use included Solenoid Mounting Bracket. Mount bracket to tie bar using (1) 1/4-20NC x 1" capscrew in place of 3/4" tie bar cap-screw. Install bracket to back of solenoid using included nuts and lockwashers.

When mounting winch, connect labeled motor leads coming from solenoid assembly to appropriately marked motor terminals as shown lower right. **Tighten nuts on motor terminals securely.** Attach solenoid ground wire to ground bolt located on bottom of motor (Battery ground wire is already installed to grounding bolt on motor).



View A-A

Repositioning Shifter for Specific Bull Bar Applications

Note: The shifter is positioned correctly for most applications. It will only need to be repositioned as necessary for specific bull bar applications.

Refer to the Parts List and Exploded Parts Diagram for your specific winch elsewhere in this owner's manual.

1. Position winch as shown in Figure 1. Remove screws from tiebars. You may be able to loosen the screws at the motor end without removing them. Pull the Gear Housing assembly from the drum and shaft and set it down on the work bench with the Gear Housing Cover up. Remove the drum bushing from the Gear Housing assembly or the end of the drum. Set aside.

2. Remove (6) capscrews from the Gear Housing Cover. Holding the Gear Housing Cover over the Gear Housing assembly, flip it over and set it on the workbench.

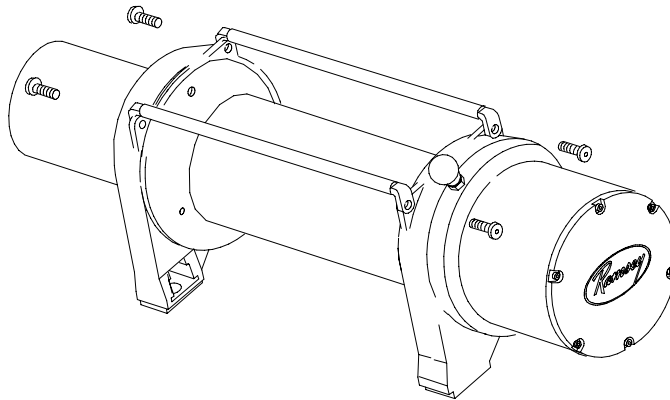
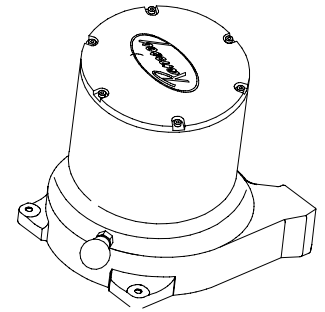


Figure 1



3. Gently lift the Gear Housing assembly, working the gears, bushings, etc. that are inside the Gear Housing out so that they are left stacked on the workbench. See Figure 2.

4. Turn the Gear Housing assembly over and set on workbench. Remove the Retainer (item #37) by removing six capscrews (item #21) from Gear End Bearing (item 13). Once the retainer is removed, the Ring Gear (item #10), Cam Ring (item #36), and Locking Ring (item #34) can be lifted off the end bearing.

Remove the six springs (item #38) from the end bearing.

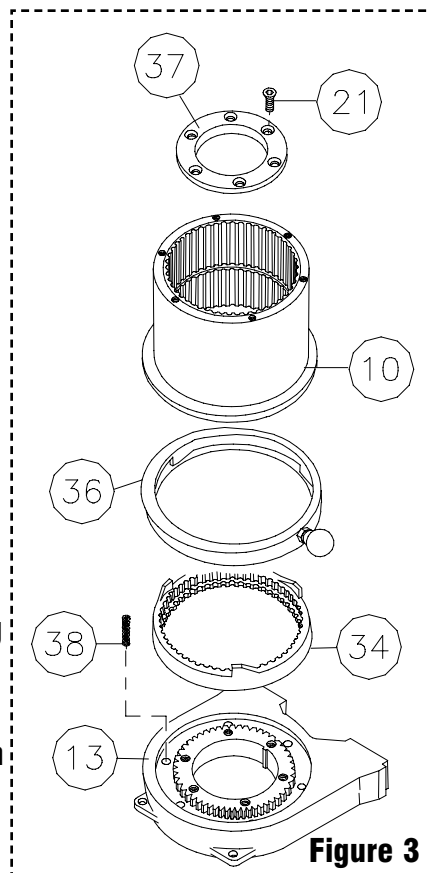


Figure 3

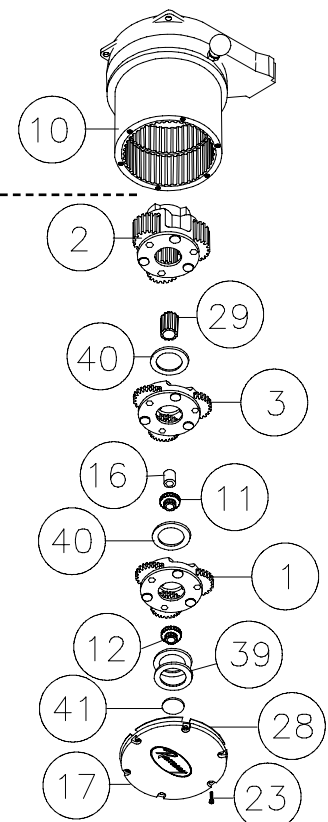


Figure 2

5. Determine position shifter knob needs to be for your application. **Note:** Shifter knob cannot be positioned too low or it will interfere with the feet on the Gear End Bearing (see Range of Position in Figure 4).
6. To position the shifter knob, place locking ring in end bearing with stop post *approximately 180° from where shifter knob needs to be positioned*. Place cam ring over locking ring in proper position and confirm that shifter knob will move from engaged to disengaged position without interference. Mark position of stop post on end bearing.

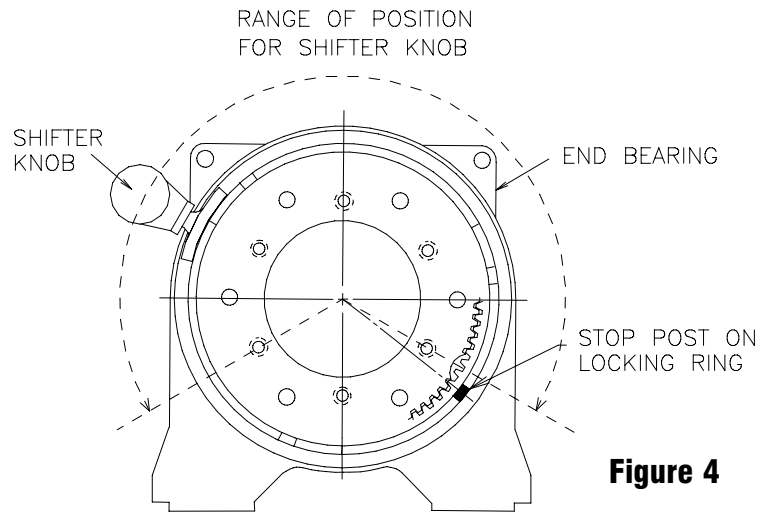


Figure 4

7. Remove cam ring and locking ring from end bearing. Insert springs (item #38) into end bearing. When you replace the locking ring (item #34) over the springs, be sure the springs compress down into their recesses, and don't bend sideways.
8. Reassemble Gear Housing as shown in Figure 3. Make sure locking ring is positioned with stop post at marked location. The capscrews (item #38) for the retainer should be tightened to 40-45 in-lbs. **Do not over-tighten.**
9. Place Gear Housing over the stacked gears, etc. that you removed in step 3. Gently work the housing over the stack, turning it as needed to mesh the planetary gears with the ring gear in the housing. Once they are all in the housing, flip the assembly over. Align the Gear Housing Cover and gasket with the holes in the ring gear. Replace the (6) capscrews that hold the Gear Housing Cover onto the Gear Housing. Tighten securely.

10. Move the Shifter to the Disengaged position.

11. Turn the Gear Housing over and set it on the work bench with the Gear Housing Cover down. See Figure 5.
12. Install the drum bushing into the Gear Housing, confirming that the slot in the bushing is aligned with the key in the end bearing. Pick up the rest of the winch (drum and motor end), and holding the drum, lower the winch onto the gear end. Stab the shaft into the gear end--you may need to turn the drum slightly to get the shaft to go all the way in.
13. Place the tiebars on the motor end and gear end and fasten using (4) screws. Tighten securely.
14. Once the winch is reassembled, turn it so that it is sitting on its feet. Confirm that the cable will freespool when the shifter is in the Disengaged position. Connect up the winch temporarily and confirm that the cable spools when the shifter is in the Engaged position.

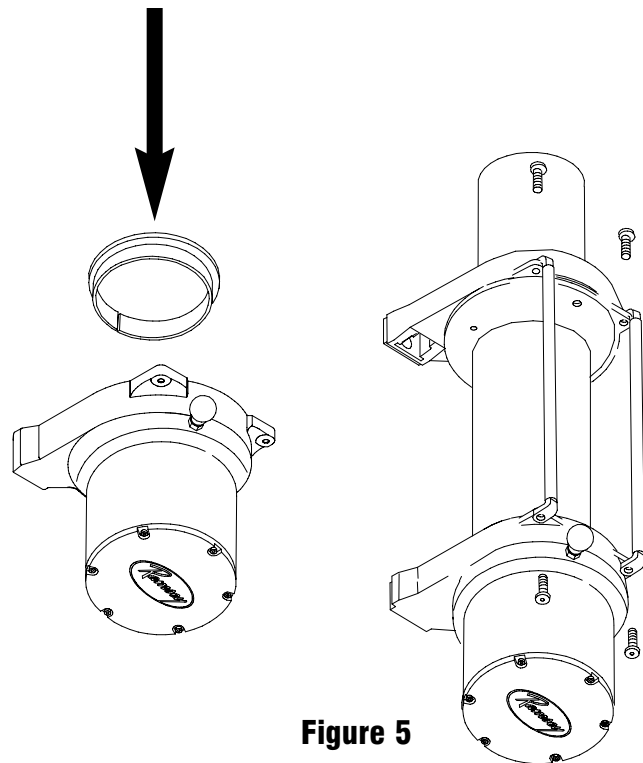


Figure 5

Operating Instructions

The winch clutch allows rapid unspooling of the wire rope for hooking onto the load or anchor point. The clutch is operated by the shifter knob located on the gear housing end of the winch as follows:

1. To disengage the clutch, move the clutch shifter knob to the "OUT" position. Wire rope may now be freespoiled off the drum.
2. To engage the clutch, move the clutch shifter knob into the "IN" position. The winch is now ready for pulling.

Electrical Connections and Operations

For normal self-recovery work, your existing electrical system is adequate. Your battery must be kept in good condition. A fully charged battery and proper connections are essential. Run the vehicle engine during winching operations to keep battery charged.

Route battery cables up to battery.

CAUTION: BE SURE BATTERY CABLES ARE NOT DRAWN TAUT ACROSS ANY SURFACES WHICH COULD POSSIBLY DAMAGE THEM.

Connect red cable to positive (+) battery terminal. Connect black ground cable to negative (-) terminal of battery (See Figure 1).

Models Equipped with Push Button Remote Control Switch

The remote control switch is water proof. It has push buttons on either side. Make sure the motor has stopped fully before reversing. To actuate winch simply plug remote control switch into receptacle in cover of winch. Run winch forward and reverse to check directions. Snap appropriate "IN" and "OUT" disc into proper thumb cavity. **Do not leave switch plugged in when winch is not in use.**

Models Equipped with Wireless Remote Control

See *Installation and Operating Instructions for Ramsey Universal Remote Control* (OM-914057) included with the wireless remote.

Maintenance

All moving parts in the winch are permanently lubricated with high temperature lithium grease at the time of assembly. Under normal conditions factory lubrication will suffice.

Lubricate cable periodically using light penetrating oil. Inspect the cable for broken strands and replace if necessary. If the cable becomes worn or damaged, it must be replaced.

Corrosion on electrical connections will reduce performance or may cause a short. Clean all connections especially in the remote control switch and receptacle. In salty environments use a silicone sealer to protect from corrosion.

To minimize corrosion of the internal motor components that may occur due to condensation, power the winch in or out periodically. Energizing the motor will generate heat, which will help dissipate any moisture buildup in the motor. This should be performed at periodic intervals (such as with each oil change to your vehicle). **Note:** Refer to the Troubleshooting Guide if the motor has been submerged.

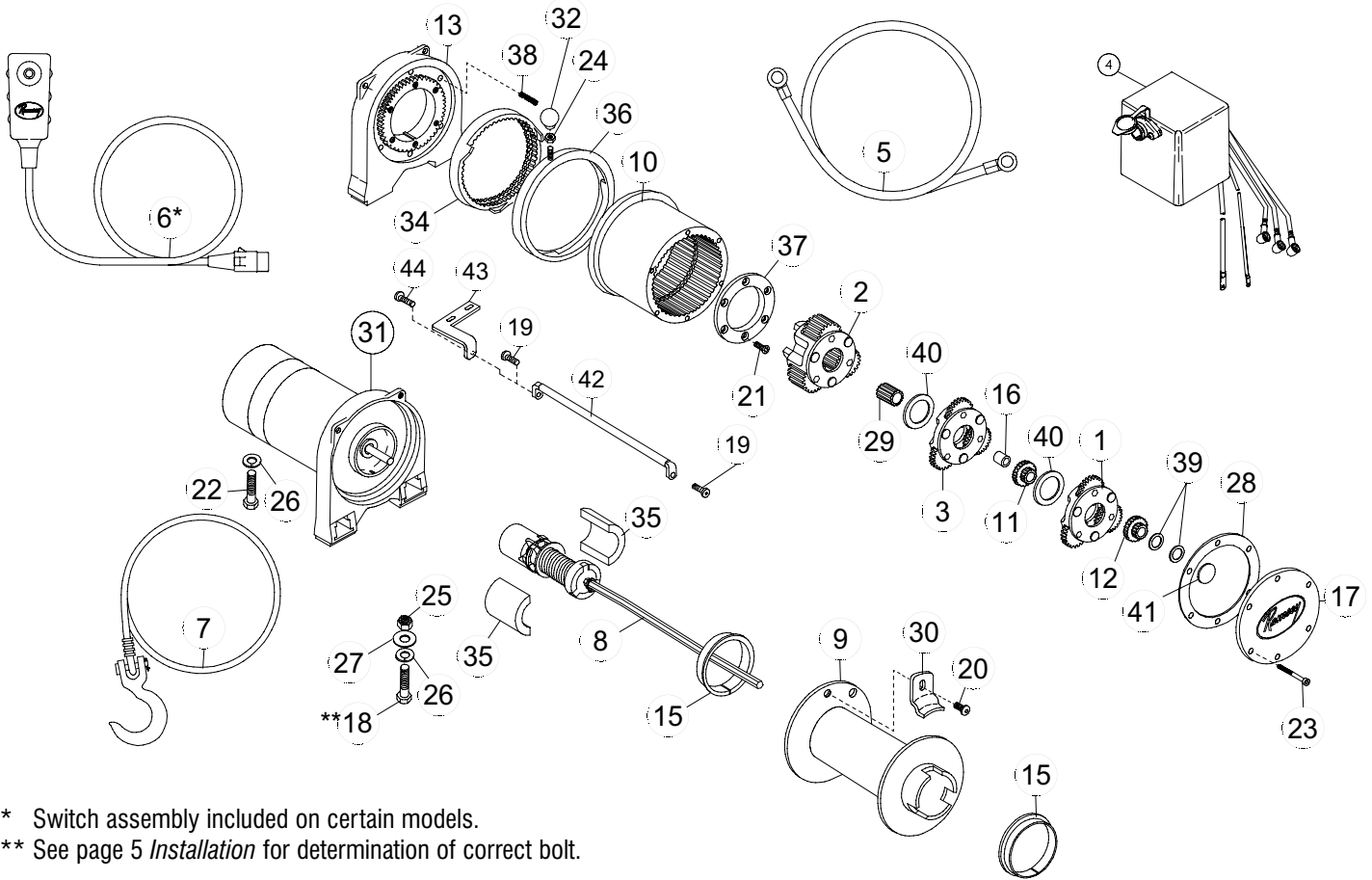
Cable Installation

1. Unwind the new cable by rolling it out along the ground to prevent kinking.
2. Remove old cable and observe the manner in which it is attached to the cable drum flange.
3. Before installing the new cable assembly, securely wrap the end of the cable with plastic tape or similar tape to prevent fraying.
4. Position the cable drum so that the large 13/32" diameter hole in the motor end drum flange is approximately on the top.
5. Form a short bend (approximately 1/2" long) in the end of the cable. Insert the bend into the 13/32" hole in the drum flange and then carefully run the winch in the "reel in" direction approximately 3/4 revolution until the 1/4" diameter threaded hole in the drum flange is on top.
6. Secure the cable to the drum flange using cable anchor and capscrew shown in the parts drawing on page 11 (Item nos. 20 and 30). Securely tighten the capscrew, but do not over-tighten.
7. Wind 5 wraps of cable onto the drum. Wind on the rest of the cable by pulling in a light load to keep the tension constant. Allow the cable to swivel by using a length of chain or a swivel block between the cable hook and the load.

Troubleshooting Guide

Condition	Possible Cause	Correction
MOTOR RUNS IN ONLY ONE DIRECTION	Defective or stuck solenoid Defective remote control switch	Jar each solenoid to free contacts. Check each solenoid by applying 12 volts to coil terminal (it should make an audible click when energized). Disengage winch clutch, remove remote control switch plug from the socket and jump pins at 8 and 4 o'clock. Motor should run. Jump pins at 8 and 10 o'clock. Motor should run.
MOTOR RUNS EXTREMELY HOT	Long period of operation Insufficient battery	Cooling off periods are essential to prevent overheating. Check battery terminal voltage under load. If 10 volts or less, replace or parallel another battery to it.
MOTOR RUNS, BUT WITH INSUFFICIENT POWER, OR WITH LOW LINE SPEED.	Bad connection Insufficient charging system	Check battery cable for corrosion; clean and grease. Replace with larger capacity charging system
MOTOR RUNS, BUT DRUM DOES NOT TURN	Clutch not engaged	If clutch engaged but symptom still exists, it will be necessary to disassemble winch to determine cause and repair.
MOTOR WILL NOT OPERATE	Defective or stuck solenoid Defective remote control switch Defective motor Loose Connections	Jar each solenoid to free contacts. Check each solenoid by applying 12 volts to coil terminal (it should make an audible click when energized). Disengage winch clutch, remove remote control switch plug from the socket and jump pins at 8 and 4 o'clock. Motor should run. Jump pins at 8 and 10 o'clock. Motor should run. If solenoids operate, check for voltage at armature post; replace motor. Tighten connections on bottom side of hood and on motor.
MOTOR WATER DAMAGED	Submerged in water or water from high pressure car wash	Allow to drain and dry thoroughly, then run motor without load in short bursts to dry windings.

Patriot Profile 6000



* Switch assembly included on certain models.

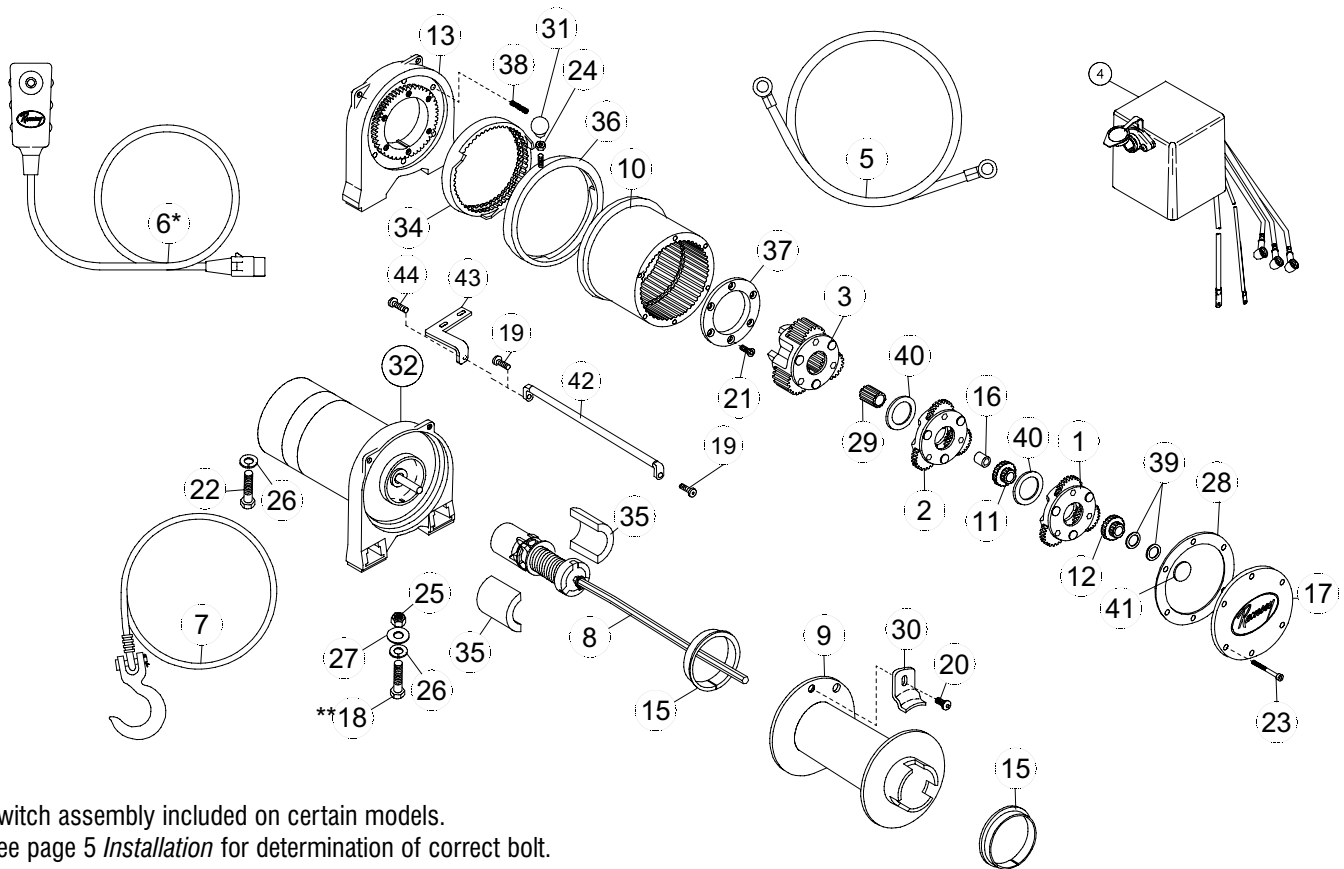
** See page 5 *Installation* for determination of correct bolt.

Patriot Profile 6000 Winch Parts List

Item No.	Qty.	Part No.	Description
1	1	247024	GEAR CARRIER ASSY - INPUT
2	1	247006	GEAR CARRIER ASSY - OUTPUT
3	1	247007	GEAR CARRIER ASSY - INTERMEDIATE
4	1	278189	SOLENOID ASSY - 12V
	1	278188	SOLENOID ASSY - 24V
5	1	289141	CABLE ASSY - GROUND
*6	1	251110	SWITCH ASSY
7	1	251187	CABLE ASSY - 1/4 DIA. X 100'
8	1	296553	BRAKE/SHAFT ASSY
9	1	332128	DRUM-CABLE
10	1	334143	GEAR-RING
11	1	334147	GEAR-INTERMEDIATE SUN
12	1	444097	GEAR-INPUT SUN
13	1	338337	END BEARING-GEAR HOUSING
14			
15	2	412056	BUSHING-DRUM
16	1	412061	BUSHING-SHAFT
17	1	413018	COVER-GEAR HOUSING
**18	4	414316	CAPSCREW 3/8-16NC X 1-1/4 LG HX HD GR5 PLTD
	2	414317	CAPSCREW 3/8-16NC X 1-3/4 LG HX HD GR5 PLTD
19	4	414823	CAPSCREW 1/4-20NC X 3/4 LG SOC BUTT HD F/B
20	1	414830	CAPSCREW 1/4-20NC X 3/8 LG BUTT HD
21	6	414861	CAPSCREW 1/4-20NC X 3/4 LG FLAT SOC HD NYLOK
22	1	414370	CAPSCREW 3/8-24NFX X 1/2 HX HD GR5 Z/P

Item No.	Qty.	Part No.	Description
23	6	416273	SCREW #6-32NC X 3/8 LG FIL HD F/B
24	1	418029	NUT 5/16-18NF HX JAM PLTD
25	4	418035	NUT 3/8-16NC HX REG PLTD
26	5	418177	LOCKWASHER-3/8 ID MED SECT PLTD
27	4	418181	WASHER-FLAT 3/8 ID SAE PLTD
28	1	442207	GASKET-COVER
29	1	444048	GEAR-OUTPUT SUN
30	1	448071	CABLE ANCHOR
31	1	296570	MOTOR-12V
	1	296591	MOTOR-24V
32	1	452001	KNOB-SHIFTER
34	1	477002	LOCKING RING
35	2	477004	RING-HALF
36	1	477011	CAM RING
37	1	479007	RETAINER-RING GEAR
38	6	494077	SPRING
39	2	518019	THRUST WASHER
40	2	519020	THRUST WASHER
41	1	518027	THRUST DISC
42	2	448049	TIE BAR
43	1	408315	SOLENOID MOUNTING BRACKET
44	1	414829	CAPSCREW 1/4-20NC X 1" SOC BUTTON HD

Patriot Profile 8000



* Switch assembly included on certain models.

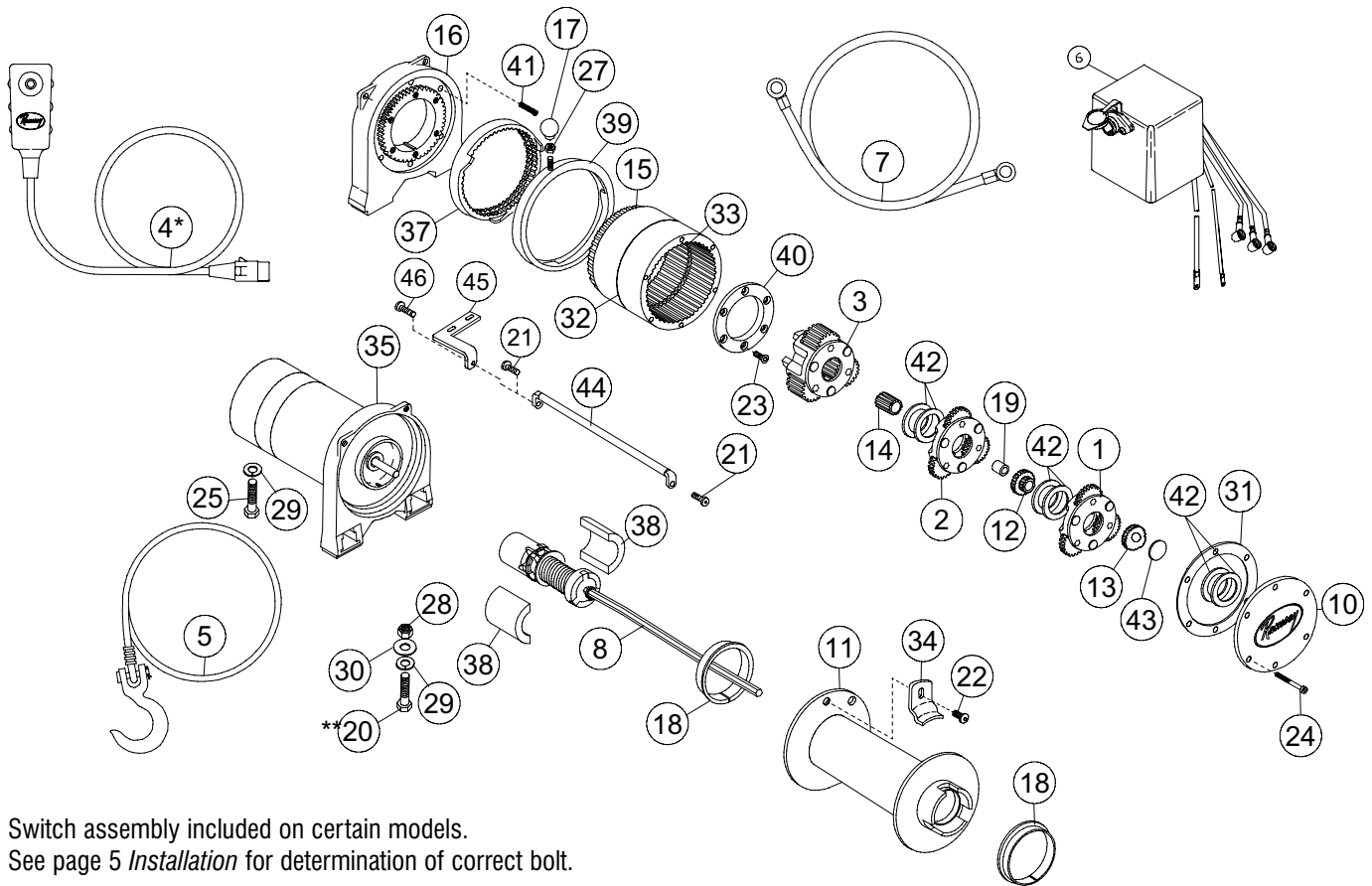
** See page 5 *Installation* for determination of correct bolt.

Patriot Profile 8000 Winch Parts List

Item No.	Qty.	Part No.	Description
1	1	247024	GEAR CARRIER ASSY - INPUT
2	1	247005	GEAR CARRIER ASSY - INTERMEDIATE
3	1	247008	GEAR CARRIER ASSY - OUTPUT
4	1	278189	SOLENOID ASSY - 12V
1	1	278188	SOLENOID ASSY - 24V
5	1	289141	CABLE ASSY - GROUND
*6	1	251110	SWITCH ASSY
7	1	251186	CABLE ASSY - 5/16 DIA X 95'
8	1	296553	BRAKE/SHAFT ASSY
9	1	332128	DRUM-CABLE
10	1	334143	GEAR-RING
11	1	334145	GEAR-INTERMEDIATE SUN
12	1	444097	GEAR-INPUT SUN
13	1	338337	END BEARING-GEAR HOUSING
14			
15	2	412056	BUSHING-DRUM
16	1	412061	BUSHING-SHAFT
17	1	413018	COVER-GEAR HOUSING
**18	4	414316	CAPSCREW 3/8-16NC X 1-1/4 LG HX HD GR5 PLTD
	2	414317	CAPSCREW 3/8-16NC X 1-3/4 LG HX HD GR5 PLTD
19	4	414823	CAPSCREW 1/4-20NC X 3/4 LG SOC BUTT HD F/B
20	1	414830	CAPSCREW 1/4-20NC X 3/8 LG BUTT HD
21	6	414861	CAPSCREW 1/4-20NC X 3/4 LG FLAT SOC HD NYLOK
22	1	414370	CAPSCREW 3/8-24NFX X 1/2 HX HD GR5 Z/P

Item No.	Qty.	Part No.	Description
23	6	416273	SCREW #6-32NC X 3/8 LG FIL HD F/B
24	1	418029	NUT 5/16-18NF HX JAM PLTD
25	4	418035	NUT 3/8-16NC HX REG PLTD
26	5	418177	LOCKWASHER-3/8 ID MED SECT PLTD
27	4	418181	WASHER-FLAT 3/8 ID SAE PLTD
28	1	442207	GASKET-COVER
29	1	444048	GEAR-OUTPUT SUN
30	1	448046	CABLE ANCHOR
31	1	452001	KNOB-SHIFTER
32	1	296570	MOTOR-12V
	1	296591	MOTOR-24V
34	1	477002	LOCKING RING
35	2	477004	RING-HALF
36	1	477011	CAM RING
37	1	479007	RETAINER-RING GEAR
38	6	494077	SPRING
39	2	518019	THRUST WASHER
40	2	519020	THRUST WASHER
41	1	518027	THRUST DISC
42	2	448049	TIE BAR
43	1	408315	SOLENOID MOUNTING BRACKET
44	1	414829	CAPSCREW 1/4-20NC X 1" SOC BUTTON HD

Patriot Profile 9000

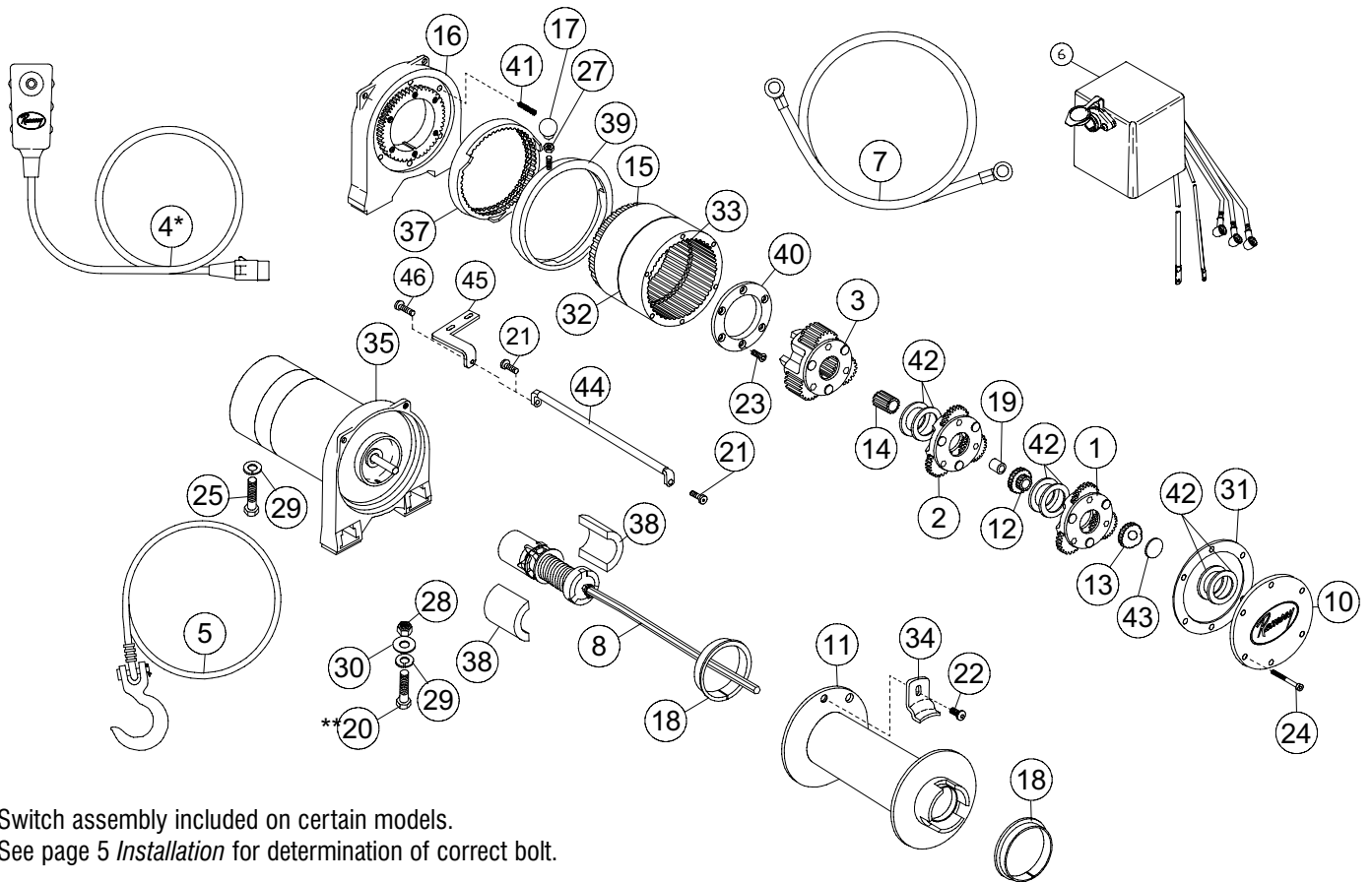


* Switch assembly included on certain models.
 ** See page 5 *Installation* for determination of correct bolt.

Patriot Profile 9000 Winch Parts List

Item No.	Qty.	Part No.	Description
1	1	247009	GEAR CARRIER ASSY - INPUT
2	1	247022	GEAR CARRIER ASSY - INTERMEDIATE
3	1	247023	GEAR CARRIER ASSY - OUTPUT
*4	1	251110	SWITCH ASSY
5	1	251210	CABLE ASSY - 5/16 DIA X 105'
6	1	278189	SOLENOID ASSY - 12V
7	1	289141	CABLE ASSY - GROUND
8	1	296181	BRAKE/SHAFT ASSY
9			
10	1	328138	COVER-GEAR HOUSING
11	1	332193	DRUM-CABLE
12	1	334147	GEAR-INTERMEDIATE SUN
13	1	334154	GEAR-INPUT SUN
14	1	334197	GEAR-OUTPUT SUN
15	1	334171	GEAR-RING, OUTPUT
16	1	338337	END BEARING-GEAR HOUSING
17	1	452001	KNOB SHIFTER
18	2	412056	BUSHING-DRUM
19	1	412061	BUSHING-SHAFT
**20	4	414316	CAPSCREW 3/8-16NC X 1-1/4 HX HD
	2	414317	CAPSCREW 3/8-16NC X 1-3/4 HX HD
21	4	414823	CAPSCREW 1/4-20NC X 3/4 SOC BT HD
22	1	414830	CAPSCREW 1/4-20NC X 3/8 BUTTON HD
23	6	414861	CAPSCREW 1/4-20NC X 3/4 FL SOC HD NYLOK
24	6	414868	CAPSCREW 5/16-18NC X 2-1/2 HX HD NYLOK
25	1	414370	CAPSCREW 3/8-24NC X 1/2 HX HD
27	1	418029	NUT 5/16-18NC HEX JAM PLTD
28	4	418035	NUT 3/8-16NC HEX REG PLTD
29	5	418177	LOCKWASHER-3/8 ID MED SECT PLTD
30	4	418181	WASHER-FLAT 3/8 ID SAE PLTD
31	1	442208	GASKET-COVER
32	1	442219	GASKET-RING GEAR
33	1	444077	GEAR-RING INPUT
34	1	448046	CABLE ANCHOR
35	1	296569	MOTOR-12V
37	1	477002	LOCKING RING
38	2	477004	RING-HALF
39	1	477011	CAM RING
40	1	479007	RETAINER-RING GEAR
41	6	494077	SPRING
42	6	518020	THRUST WASHER
43	1	518027	THRUST DISC
44	2	448049	TIE BAR
45	1	408315	SOLENOID MOUNTING BRACKET
46	1	414829	CAPSCREW 1/4-20NC X 1" SOC BUTTON HD

Patriot Profile 9500



* Switch assembly included on certain models.

** See page 5 *Installation* for determination of correct bolt.

Patriot Profile 9500 Winch Parts List

Item No.	Qty.	Part No.	Description
1	1	247009	GEAR CARRIER ASSY - INPUT
2	1	247022	GEAR CARRIER ASSY - INTERMEDIATE
3	1	247023	GEAR CARRIER ASSY - OUTPUT
*4	1	251110	SWITCH ASSY
5	1	251210	CABLE ASSY - 5/16 DIA X 105'
6	1	278189	SOLENOID ASSY - 12V
	1	278188	SOLENOID ASSY- 24V
7	1	289141	CABLE ASSY - GROUND
8	1	296181	BRAKE/SHAFT ASSY
9			
10	1	328138	COVER-GEAR HOUSING
11	1	332193	DRUM-CABLE
12	1	334147	GEAR-INTERMEDIATE SUN
13	1	334154	GEAR-INPUT SUN
14	1	334197	GEAR-OUTPUT SUN
15	1	334171	GEAR-RING, OUTPUT
16	1	338337	END BEARING-GEAR HOUSING
17	1	452001	KNOB SHIFTER
18	2	412056	BUSHING-DRUM
19	1	412061	BUSHING-SHAFT
**20	4	414316	CAPSCREW 3/8-16NC X 1-1/4 HX HD
	2	414317	CAPSCREW 3/8-16NC X 1-3/4 HX HD
21	4	414823	CAPSCREW 1/4-20NC X 3/4 SOC BT HD
22	1	414830	CAPSCREW 1/4-20NC X 3/8 BUTTON HD
23	6	414861	CAPSCREW 1/4-20NC X 3/4 FL SOC HD NYLOK

Item No.	Qty.	Part No.	Description
24	6	414159	CAPSCREW 5/16-18NC X 2-1/2 HX HD NYLOK
25	1	414370	CAPSCREW 3/8-24NC X 1/2 HX HD
27	1	418029	NUT 5/16-18NC HEX JAM PLTD
28	4	418035	NUT 3/8-16NC HEX REG PLTD
29	5	418177	LOCKWASHER-3/8 ID MED SECT PLTD
30	4	418181	WASHER-FLAT 3/8 ID SAE PLTD
31	1	442208	GASKET-COVER
32	1	442219	GASKET-RING GEAR
33	1	444077	GEAR-RING INPUT
34	1	448046	CABLE ANCHOR
35	1	296570	MOTOR-12V
	1	296591	MOTOR - 24V
36			NOT USED
37	1	477002	LOCKING RING
38	2	477004	RING-HALF
39	1	477011	CAM RING
40	1	479007	RETAINER-RING GEAR
41	6	494077	SPRING
42	6	518020	THRUST WASHER
43	1	518027	THRUST DISC
44	2	448049	TIE BAR
45	1	408315	SOLENOID MOUNTING BRACKET
46	1	414829	CAPSCREW 1/4-20NC X 1" SOC BUTTON HD

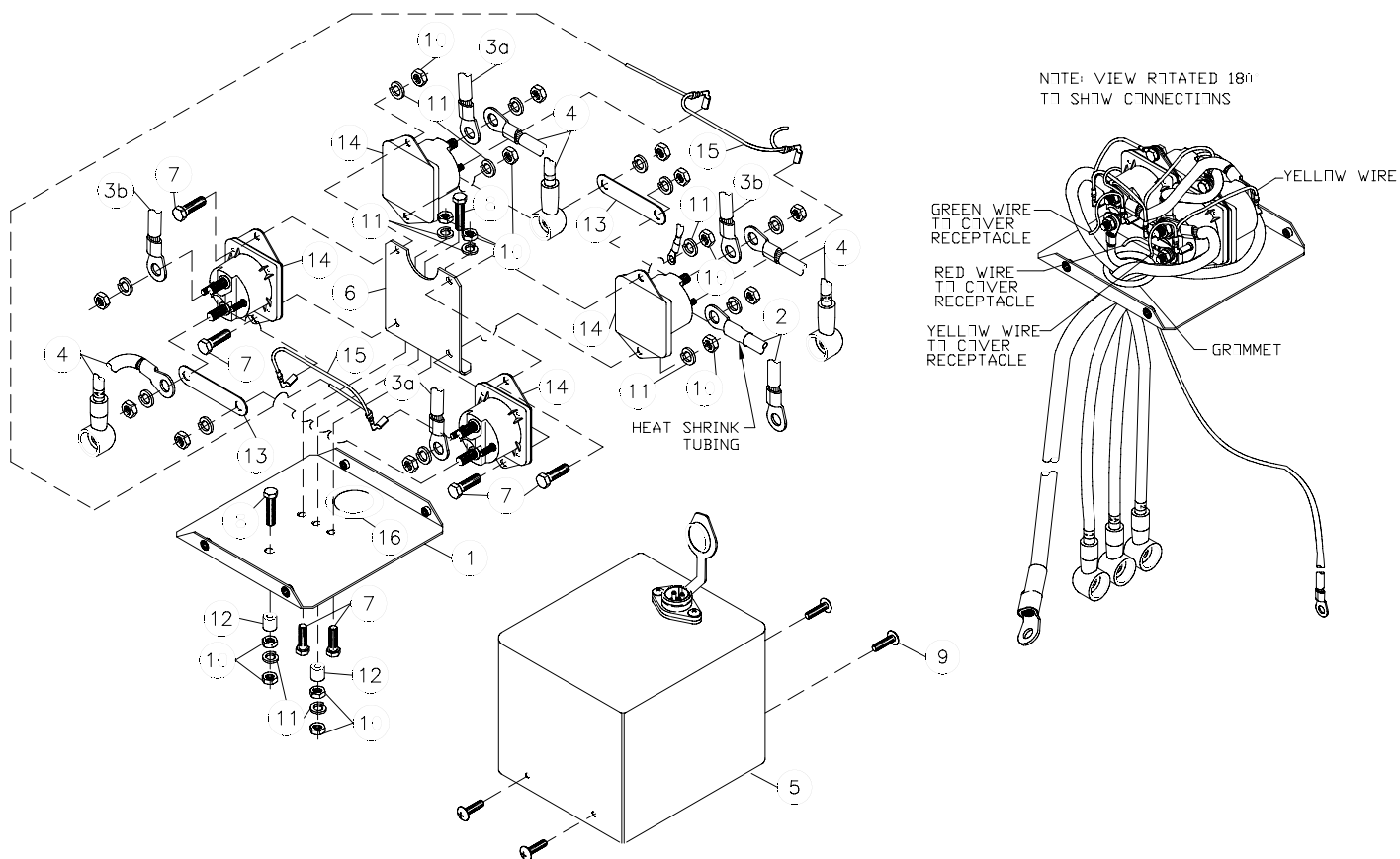
Solenoid Assembly Parts List

278189 12V (Patriot Profile 6000, 8000, 9000, 9500)

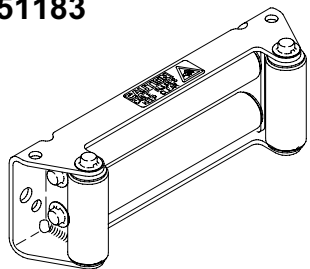
278188 24V (Patriot Profile 6000, 8000, 9500)

Item No.	Qty.	Part No.	Description
1	1	204281	ASSEMBLY - SOLENOID BRACKET
2	1	289015	ASSEMBLY - WIRE BATTERY CABLE 72" LG
3	2	289077	ASSEMBLY - WIRE #6 GA X 4.5" BLACK
4	3	289170	ASSEMBLY - WIRE #2 GA X 29" MTR LEAD
5	1	296594	COVER ASSEMBLY
6	1	408271	BRACKET - SOLENOID MOUNTING
7	6	414042	CAPSCREW 1/4-20NC X 5/8" HX HD
8	2	414062	CAPSCREW 1/4-20NC X 1-1/2" GR5 Z/P

Item No.	Qty.	Part No.	Description
9	4	416216	SCREW - #10-24NC X 1/2 LG
10	10	418014	NUT - HX 1/4-20NC REG Z/P
11	8	418149	LOCKWASHER - 1/4 MED SECT Z/P
12	2	418514	SPACER - SOLENOID BRACKET
13	2	440260	STRAP - COPPER
14	4	440262	SOLENOID - 12V
	4	440265	SOLENOID - 24V
15	1	440281	ASSEMBLY - WIRE GROUND
16	1	472069	GROMMET



Roller Fairlead #251183



Included with Patriot Profile 6000, 8000, 9000, and 9500 winches. Mounting hardware for roller fairlead included with winch.

Warranty Information

Ramsey Winches are designed and built to exacting specifications. Care and skill go into every winch we make. If the need should arise, warranty procedure is outlined on the back of your self-addressed postage paid warranty card. Please read and fill out the enclosed warranty card and send it to Ramsey Winch Company. If you have problems with your winch, please follow instructions for proper service on all warranty claims.

Limited Lifetime Warranty

Ramsey Winch offers a limited lifetime warranty for each new Ramsey consumer/RV winch against manufacturing defects in workmanship and materials on all mechanical components.

Warranty registration cards for each winch must be submitted at the time of purchase or within 30 days. Warranty will only be valid for the original purchase of the winch and installed on the vehicles with which they were originally registered.

New cable assemblies are warranted against defects in workmanship and materials. No warranty applies after initial use.

All Ramsey mounting kits and other accessories carry a 1-year limited warranty against defects in material and workmanship.

Chrome finish warranted for one year against manufacturing defects. Cracking, scratching, or corrosion caused by winching not covered by warranty.

This warranty is void if winch is used in commercial/industrial applications other than front mount self-recovery.

Electrical components consisting of motors, solenoids, wiring, wire connectors and associated parts carry a 1-year limited warranty. Battery isolators carry a 90-day limited warranty.

An optional extended 2-year limited warranty for all electrical components may be purchased.

The obligation under this Warranty, statutory or otherwise, is limited to the replacement or repair at the manufacturer's factory, or at a point designated by the manufacturer, upon inspection of such part, to have been defective in material or workmanship. This Warranty does not obligate Ramsey Winch Company to bear the cost of transportation charges in connection with the replacement or repair of defective parts, nor shall it apply to a product upon which repairs or alterations have been made, unless authorized by the manufacturer, or for equipment misused, neglected, or improperly installed.

IMPORTANT NOTICE: To the fullest extent permitted by applicable law, the following are hereby excluded and disclaimed: 1. All warranties of fitness for a particular purpose; 2. All warranties of merchantability; 3. All claims for consequential or incidental damages. There are no warranties that extend beyond the description that appears on the face hereof.

Some states do not allow the above exclusions or disclaimers in consumer transactions and as such this disclaimer/exclusion may not apply to your particular case.

To the extent such warranties of fitness for a particular purpose or merchantability are deemed to apply to this product, they exist for only so long as the express limited warranty elsewhere set forth is in existence.

Ramsey Winch Company makes no warranty in respect to accessories, same being subject to the warranties of their respective manufacturers.

Ramsey Winch Company, whose policy is one of continuous product improvement, reserves the right improve any product through changes in design and materials as it may deem desirable without being obligated to incorporate such changes in products of previous manufacture.

If field service at the request of the buyer is rendered and the fault is found not to be with Ramsey Winch Company's product, the buyer shall pay the time and expense cost of the field representative. Bills for service, labor, or other expenses which have been incurred by the buyer without express approval or authorization by Ramsey Winch Company will not be accepted.

This warranty gives you specific legal rights and you may also have other legal rights which vary from state to state.



Ramsey Winch Company

P.O. Box 581510 - Tulsa, OK 74158-1510 USA - Phone: (918) 438-2760 - Fax (918) 438-6688

Visit us at <http://www.ramsey.com>

OM-914097-1206-K