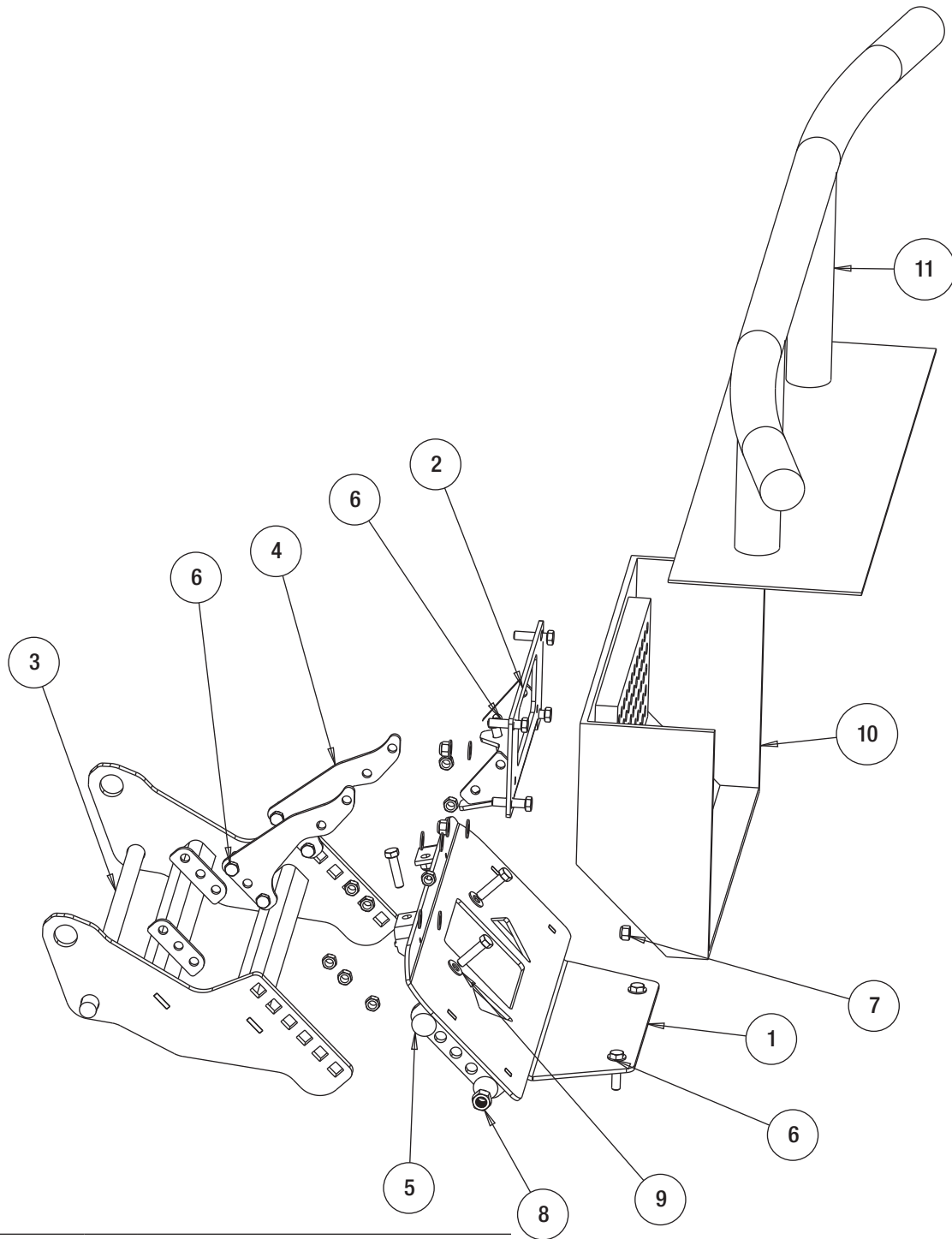


MOUNT KIT
16067210
2011+ BOBCAT 3400



SnowDogg® Snowplow

TRUCK MOUNT
INSTALLATION MANUAL



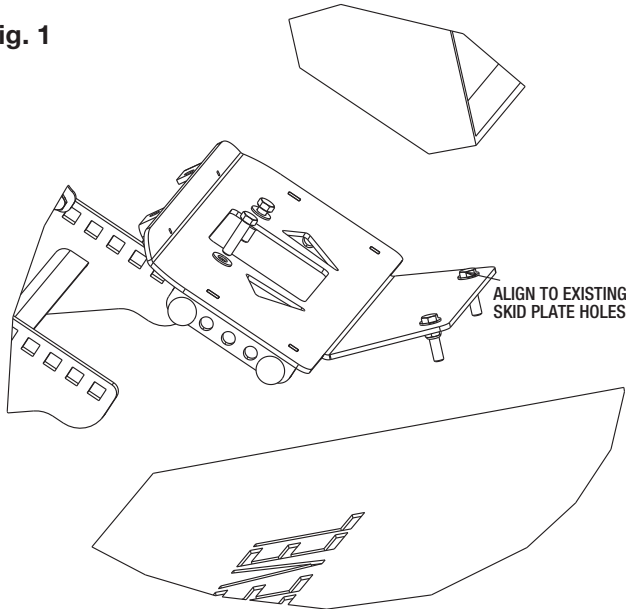
Parts List

ITEM	PART NO.	QTY.	DESCRIPTION
1	16067211	1	SKID PLATE, MOUNT BOBCAT
2	16067212	1	BRACKET, FRONT RADIATOR
3	16067213	1	PUSH BAR, ASY, BOBCAT 2011 +
4	3031333	2	ARM, LINK CONNECTOR
5	3029357	4	BOLT, CARRIAGE 1/2-13 X 1.75 GR8 ZN
6	FCS038016150	18	SCREW, HX HD CAP 3/8-16 X 1-1/2 G5 ZN
7	FNE038016044	18	NUT, NYLOCK 3/8-16 X 7/16 ZINC
8	3002397	4	LOCKNUT, HEX NYLOCK, 1/2-13 ZN, G8
9	FWF038081006	12	WASHER, FLAT 3/8 SAE ZINC
10	—	1	FRONT GRILLE
11	—	1	FRONT BUMPER

INSTRUCTIONS

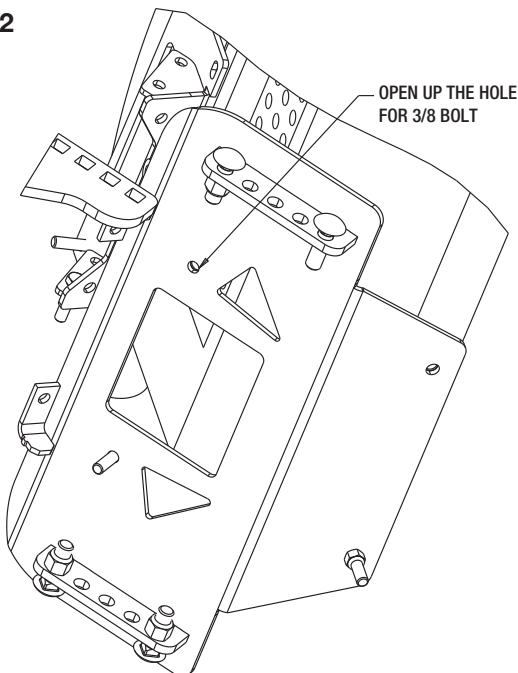
1. Remove two bolts from the bumper attaching onto the skid plate near the grill area. Open up the existing holes with 7/16 drill bit to allow for the 3/8 bolts to fit through.
2. DO NOT drill into the radiator.
3. Align the mounting skid-plate (1) to the two bottom holes on the vehicle skid plate. Secure it with two 3/8" bolts (6) and two washers (9). Fig. 1

Fig. 1



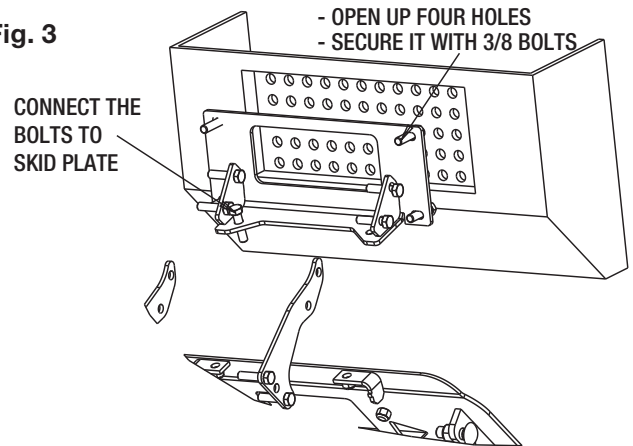
4. Repeat and open up the existing holes on the skid plate with 7/16" drill bit. Fig. 2

Fig. 2



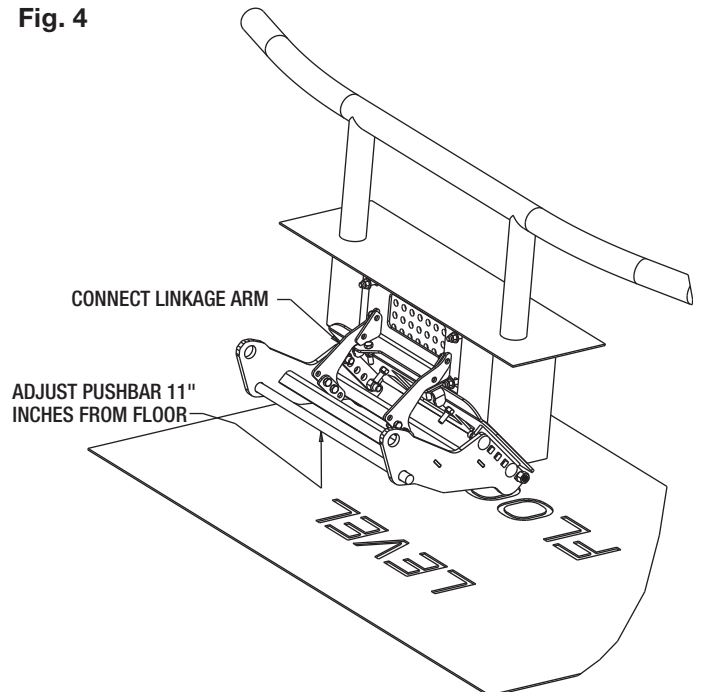
- 5.0 Align the Front Radiator bracket (2) to the four existing holes on the rectangular box-grille. Open up these four holes to 7/16". Secure it with the 3/8" fasteners (6,7). Fig 3.

Fig. 3






6. Connect to the skidplate assembly below with two 3/8 bolts (6) and two nuts (7). See fig. 3
7. Attach the Pushbar bracket to the Skid Plate and adjust it to a desired height of about 11" from the floor. Secure with four carriage bolts (5) and four nuts (8). Fig 4.

Fig. 4



- 8.0 Connect the linkage arm onto the skidplate assembly (1) and the front radiator bracket (2). Secure them with 8 bolts and nuts (6,7).
- 9.0 Torque all fasteners as shown in the chart. Check and re-torque all fasteners after 5 hours of usage to ensure safe plow operation.

Recommended Fastener Torque Chart (ft.-lb.)			
Size	 SAE Grade 2	 SAE Grade 5	 SAE Grade 8
1/4-20	6	9	13
5/16-18	11	18	28
3/8-16	19	31	46
3/8-24	24	46	68
7/16-14	30	50	75
1/2-13	45	75	115
9/16-12	66	110	165
5/8-11	93	150	225
3/4-10	150	250	370
7/8-9	150	378	591
1-8	220	583	893
Metric Grade 8.8 (ft.-lb.)			
Size	Torque	Size	Torque
M6	7	M12	60
M8	17	M14	95
M10	35	M16	155
These torque values apply to fasteners except those noted in the instruction.			

WARNING

- DO NOT under any circumstances disable, remove or relocate any sensors or components related to the operation of the air bags.
- Always follow the vehicle manufacturers' recommendations relating to snowplow installation.
- To comply with Federal Regulations and to assure a safe vehicle, the Front Gross Axle Weight Rating (FGAWR), Rear Gross Axle Weight Rating (RGAWR), and the Gross Vehicle Weight Rating (GAWR) must not be exceeded at any time.
- Due to the variety of equipment that can be installed on this vehicle, it is necessary to verify that the Front Gross Axle Weight Rating (FGAWR), Rear Gross Axle Weight Rating (RGAWR), and the Gross Vehicle Weight Rating (GAWR) are not exceeded at any time. This may require weighing the vehicle and adding ballast as necessary. It may also limit payload capacity of the vehicle. It is the operator's responsibility to verify that these ratings are not exceeded.

CAUTION

- Read all instructions prior to assembly
- It is critical that all fasteners be properly torqued for safe plow operation – see chart above.
- Fasteners should be retorqued after 5-8 hours of plow use

FULL ONE-YEAR WARRANTY

Manufacturer will repair, or at manufacturer's discretion will replace any part of this snowplow which proves to be defective in workmanship or material under normal use for a period of one year from the date of delivery to the original purchaser. Any cost incurred in returning the product to the supplier is the responsibility of the consumer.

EXCLUSIONS

Manufacturer shall not be liable for special, incidental, or consequential damages, or for damages resulting from lack of necessary maintenance, from misuse, abuse, acts of God, or alteration of the product. Some states do not allow the exclusion or limitation of incidental or consequential damages, so the above limitation or exclusion may not apply to you.