

MD MOUNT KIT

16063405

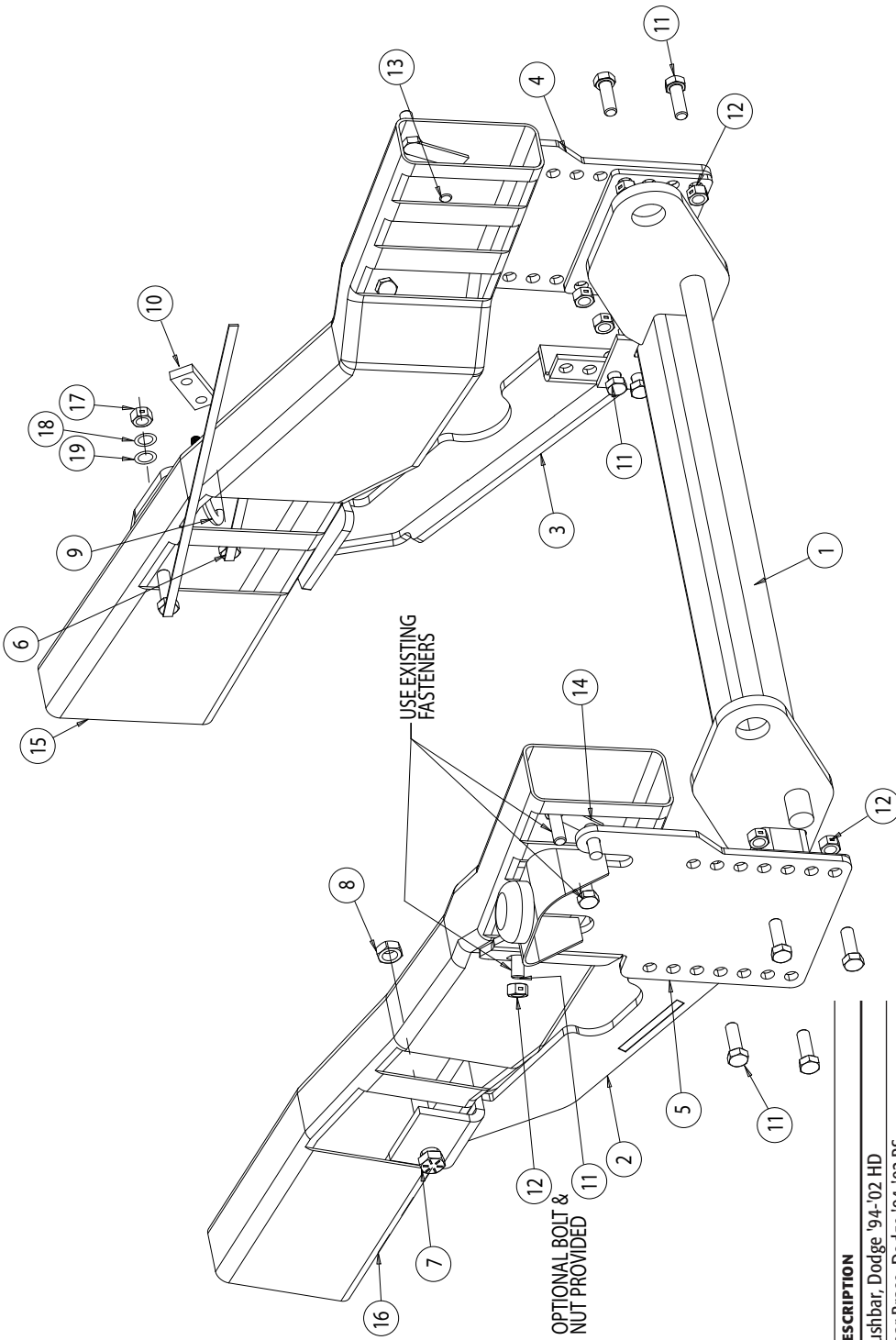
DODGE RAM 1500 '94-'01

DODGE RAM 2500/3500 (NO DIESEL) '94-'02



SnowDogg™ Snowplow

TRUCK MOUNT INSTALLATION MANUAL



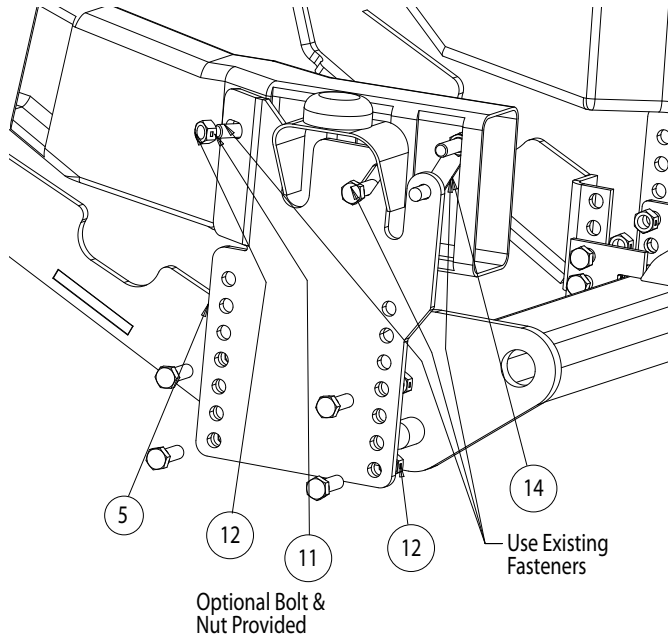
Parts List

ITEM	PART NO.	QTY.	DESCRIPTION
1	16063427	1	Pushbar, Dodge '94-'02 HD
2	16063417	1	Rear Brace, Dodge '94-'02 PS
3	16063418	1	Rear Brace, Mount Asy.
4	3014881	1	Side Plate, DS Dodge '94-'02
5	3014882	1	Side Plate, PS Dodge '94-'02
6	16801004	2	Screw, Hex HD, 1/2-13 x 1-1/2 Gr. 5 w/HDL
7	3007327	1	Screw, HH Cap, 5/8-11 x 5.0 Gr. 8 ZN Spd
8	3007483	1	Nut, Hex Jam, Center Lock 5/8-11 ZN
9	3014870	1	U-Bolt - SD MC Master 880T440
10	3014867	1	Spacer, U-Bolt
11	3006202	14	Screw, Hex HD - 1/2-13 x 1-1/2 Gr. 8 ZN
12	3002397	12	Locknut, Hex 1/2-13, ZN Gr. 8
13	-	2	Existing Bolt From Vehicle
14	-	2	Existing Bolt From Vehicle
15	-	1	Frame, DS
16	-	1	Frame, PS
17	3006201	2	Nut, 1/2-13 Hex GR 8 ZN
18	FWL050088013	2	Washer, Lock 1/2" Split ZN
19	FWF050106010	2	Washer, Flat 1/2" ZN

INSTRUCTIONS

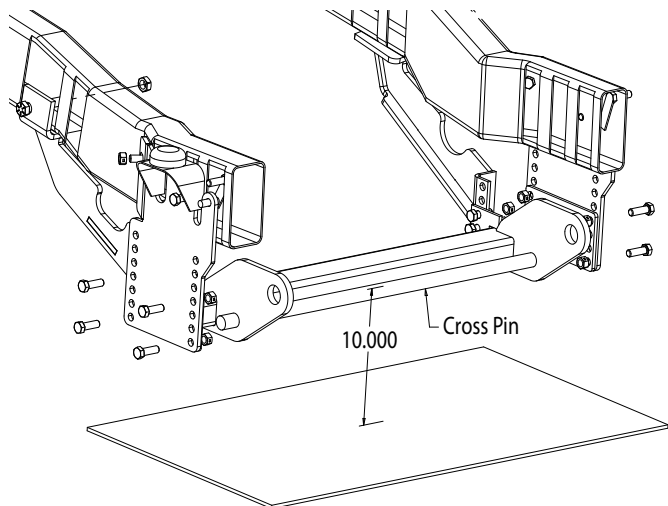
1. Remove the bumper and bumper fasteners. Set aside for later reinstallation. Remove the tow hooks if your vehicle is equipped with them.

2. Position the passenger [PS] Side Plates (5) against the frame of the truck and align them with the three fasteners just removed from the bumper as shown below. Secure the Side Plates onto the PS frame using the existing fasteners.

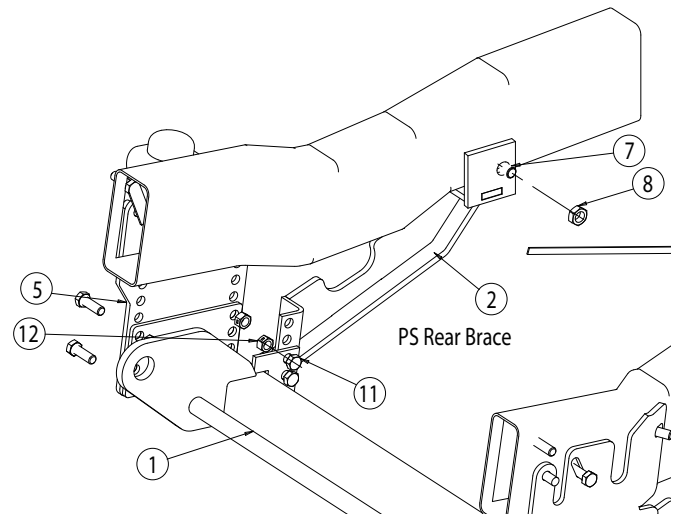


3. Repeat Step two for the DS Side Plate (4).

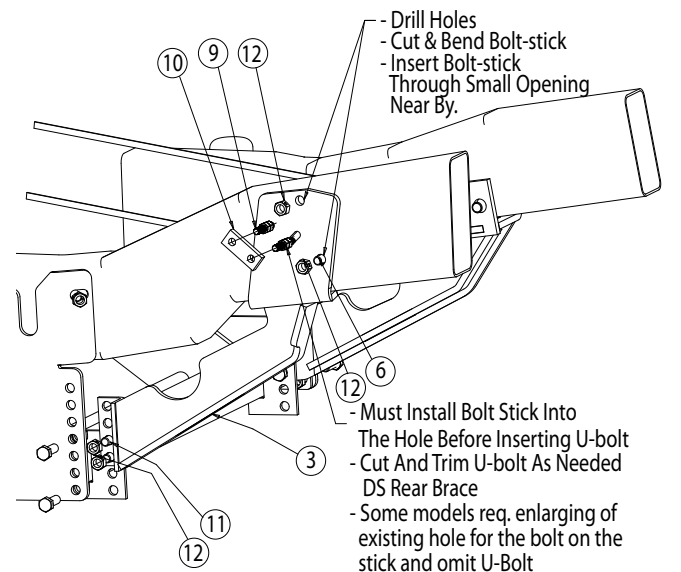
4. Mount the Pushbar (1) in place in place between the two side plates using eight ½-13 x 1.5 bolts and eight ½ -13 locknuts. The centerline of the Pushbar cross pin should be approximately 8.75" -10.5" from the ground. The air dam of the vehicle may need to be altered to accommodate this height. Improper mounting height will result in uneven cutting edge wear.



5. Position the PS Rear Brace (2) to the frame and secure it onto the Pushbar (1) with two ½-13 fasteners (11 & 12). In the back, secure the Rear Brace to the truck-frame using one 5/8-11 x 5 bolt (7) and one 5/8" nuts (8). You may have to enlarge the hole to fit it through.






6. Position the DS Rear Brace (3) to the frame and secure it onto the Pushbar (1) with two ½-13 fasteners (11 & 12). Look to the back of the Rear Brace (3), and temporarily install the U-bolt (9) onto the frame. Mark and drill the two holes Ø.531" through one wall. Undo the U-bolts and insert the bolt-sticks (6) through the newly drilled holes. Finally, re-insert the U-bolt and secure the Rear Brace (3) to the truck-frame with proper nuts and a spacer (10).



7. It may be helpful to route the plow and light control harnesses at this point, prior to bumper re-installation.

8. Torque all fasteners as shown in the chart. Check and re-torque all fasteners after 5 hours of usage to ensure safe plow operation. Ensure all coolant lines and wires are clear of the moving or hot components and tie up as necessary.

Recommended Fastener Torque Chart (ft.-lb.)			
Size	 SAE Grade 2	 SAE Grade 5	 SAE Grade 8
1/4-20	6	9	13
5/16-18	11	18	28
3/8-16	19	31	46
3/8-24	24	46	68
7/16-14	30	50	75
1/2-13	45	75	115
9/16-12	66	110	165
5/8-11	93	150	225
3/4-10	150	250	370
7/8-9	150	378	591
1-8	220	583	893

Metric Grade 8.8 (ft.-lb.)			
Size	Torque	Size	Torque
M6	7	M12	60
M8	17	M14	95
M10	35	M16	155

These torque values apply to fasteners except those noted in the instruction.

WARNING

- DO NOT under any circumstances disable, remove or relocate any sensors or components related to the operation of the air bags.
- Always follow the vehicle manufacturers' recommendations relating to snowplow installation.
- To comply with Federal Regulations and to assure a safe vehicle, the Front Gross Axle Weight Rating (FGAWR), Rear Gross Axle Weight Rating (RGAWR), and the Gross Vehicle Weight Rating (GAWR) must not be exceeded at any time.
- Due to the variety of equipment that can be installed on this vehicle, it is necessary to verify that the Front Gross Axle Weight Rating (FGAWR), Rear Gross Axle Weight Rating (RGAWR), and the Gross Vehicle Weight Rating (GAWR) are not exceeded at any time. This may require weighing the vehicle and adding ballast as necessary. It may also limit payload capacity of the vehicle. It is the operator's responsibility to verify that these ratings are not exceeded.

CAUTION

- Read all instructions prior to assembly
- It is critical that all fasteners be properly torqued for safe plow operation – see chart above.
- Fasteners should be retorqued after 5-8 hours of plow use

FULL ONE-YEAR WARRANTY

Manufacturer will repair, or at manufacturer's discretion will replace any part of this snowplow which proves to be defective in workmanship or material under normal use for a period of one year from the date of delivery to the original purchaser. Any cost incurred in returning the product to the supplier is the responsibility of the consumer.

EXCLUSIONS

Manufacturer shall not be liable for special, incidental, or consequential damages, or for damages resulting from lack of necessary maintenance, from misuse, abuse, acts of God, or alteration of the product. Some states do not allow the exclusion or limitation of incidental or consequential damages, so the above limitation or exclusion may not apply to you.