



**PRODUCT DATA SHEET**

P/N: **K3021**

**TIE DOWN MOUNT KIT**



The Tie Down Mount Kit provides anchor points for securing large items against walls or floors using ratchet straps, cam straps, or other lashing methods (not provided). The Tie Down Mount modules mount exclusively to PAC aluminum extrusions: PAC Strut, PAC Dual Trac and PAC Mini Dual Trac (sold separately).

**TYPICAL SPECIFICATION**

Mounting bracket shall be PAC PN K3021  
Bracket shall be made from tough, corrosion free material. Hardware shall be stainless steel.  
Users shall be protected from conductivity.

**FEATURES**

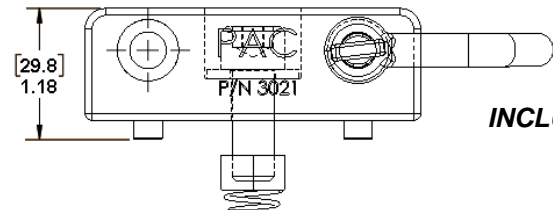
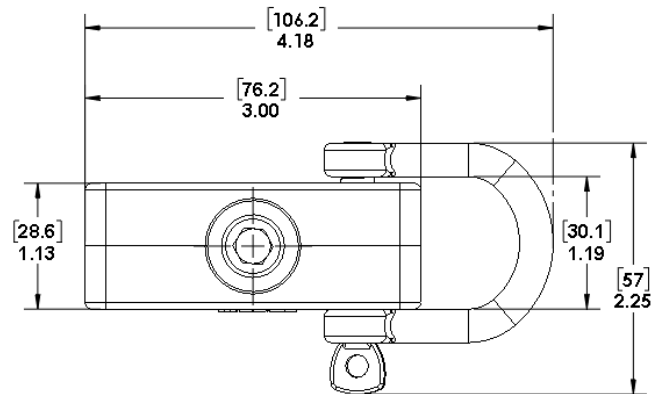
- Rugged injection molded components made from high quality materials
- Weather, UV resistant
- Non-conductive
- Can be mounted horizontally or vertically
- Adjustable positioning along extrusion length
- Stainless Steel Fasteners provided

**EQUIPMENT**

Oversized items of various sizes and shapes

**RESTRICTIONS**

- Not for use with heavy cargo.
- Aluminum extrusions must be securely mounted.
- Operator to be responsible for proper lashing setup
- Module bolt must be properly torqued (see instructions)



**INCLUDES 2**

**SPECIFICATIONS**

P/N	WT.	MAX DYNAMIC LOAD	MAX STATIC LOAD	GRIP RANGE	TEMP RANGE	FLAME RESISTANCE	PAINTABLE
K3021	.7lbs .31kg	N/A	250 LB pull @ 15° Combined	VARIABLE		GOOD	Yes

Performance Advantage Company

Lancaster, New York

www.pactoolmounts.com

888-514-0083

REFERENCE	QTY	REMARKS	PROJECT
			LOCATION
			BUYER
			DEALER
			BUILDER
			SUBMITTED BY:
			DATE:



The Tie Down Mount Kit provides anchor points for securing large items against walls or floors using ratchet straps, cam straps, or other lashing methods (not provided). The Tie Down Mount modules mount exclusively to PAC aluminum extrusions: PAC Strut, PAC Dual Trac and PAC Mini Dual Trac (sold separately).

- Rugged injection molded components made from high quality materials
- Weather, UV resistant
- Non-conductive
- Can be mounted horizontally or vertically

