



PRODUCT DATA SHEET

P/N: **1047-3** (Gallon Size)



RECTANGULAR MOUNT

The Gallon Size Rectangular Mount is a simple storage mount providing a drop-in pocket for many larger rectangular items such as 1 gallon gas and solvent containers.

TYPICAL SPECIFICATION

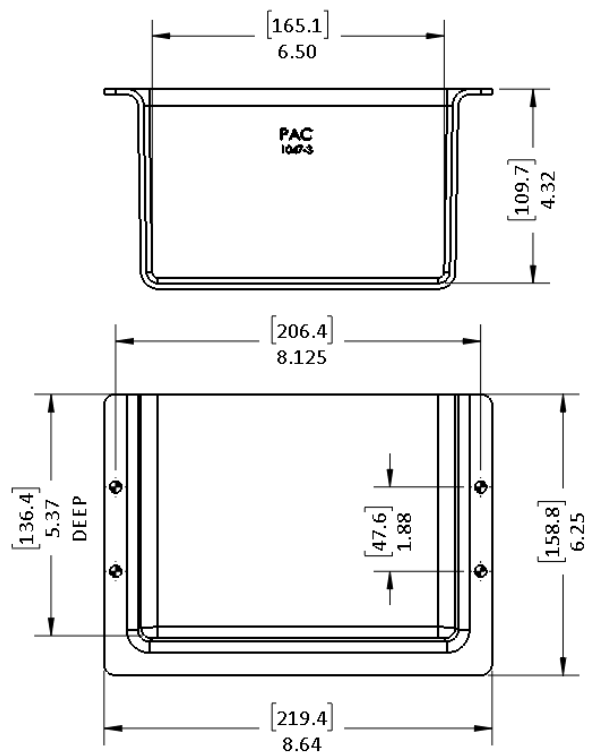
Locating bracket shall be PAC P/N 1047-3. Bracket shall be made from tough, corrosion free material. Hardware shall be stainless steel. Design for rectangular mounting applications. Users shall be protected from conductivity.

FEATURES

- Heavy duty construction.
- Made from high quality material.
- Weather, UV, chemical resistant.
- Non-conductive
- Stainless Steel Fasteners provided
- Mounts to PAC tool boards and other flat surfaces

SPECIFICATIONS

P/N	WT.	MAX LOAD	GRIP RANGE	FLAME TOXICITY CHEMICAL
1047-3	.57lbs	N/A	N/A	GOOD



Dimensions: 8.64" L x 4.44" W x 6.25" H

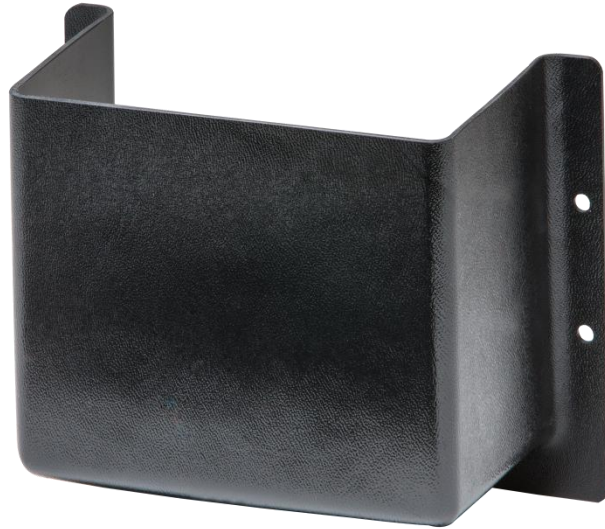
Performance Advantage Company

Lancaster, New York

www.pactoolmounts.com

888-514-0083

REFERENCE	QTY	REMARKS	PROJECT
			LOCATION
			BUYER
			DEALER
			BUILDER
			SUBMITTED BY:
			DATE:



The Gallon Size Rectangular Mount is a perfect fit for large gas cans.

- Mounts items up to 6 ¾" wide
- Wall mounted
- PAC Trac compatible
- Non-metallic
- Chemical resistant material
- Lightweight and durable
- Flame retardant

