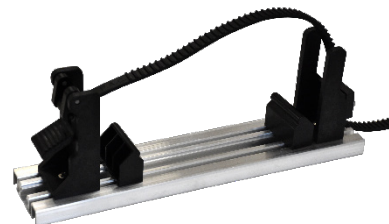


PRODUCT DATA SHEET

P/N: **K5020L FASTLOK ADJUSTAMOUNT KIT LONG**



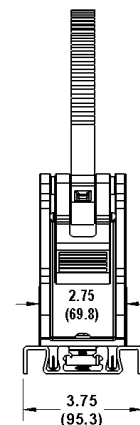
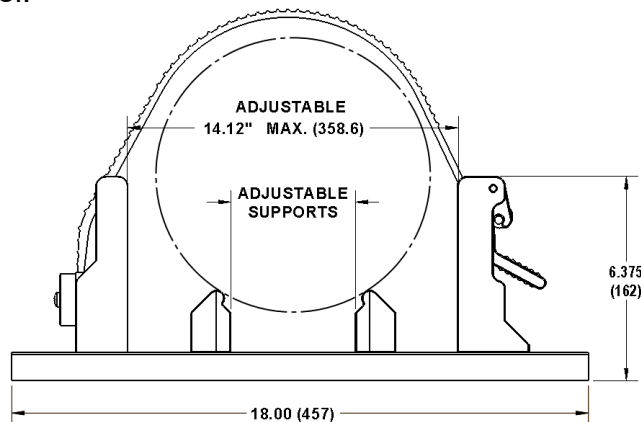
The FASTLOK bracket provides a simple, easy to use way of securing a wide range of equipment sizes and shapes. Fastlok quick lock and release lever offers of fast and easy latch for secure storage. Track base provides fast setup and adjustment to mount a wide variety of equipment.

TYPICAL SPECIFICATION

Mounting bracket shall be PAC PN K5020L. Bracket shall be made from tough, corrosion free material. Bracket has an adjustable strap, available in 3 colors. Shall include 18" of Pac Mini Dual Trac and Hardware shall be stainless steel.

FEATURES

- Easily Re-adjustable
- No metal to metal contact
- UV resistant
- Includes Stainless Steel fasteners
- Adjustable Supports
- Mounts to PAC tool boards and other flat surfaces
- Straps available in Yellow, Black and Orange
- Perfect for: Fire extinguishers, Air cylinders, Pumps, Rescue tools, Chain saws
- UPDATE: Now includes our longest strap with a usable length of 25"



Dimensions 18" L x 3.75" W x 6.34" H

SPECIFICATIONS

P/N	WT.	MAX LOAD	GRIP RANGE	FLAME TOXICITY CHEMICAL
K5020L	3.8lbs	N/A	N/A	GOOD



Performance Advantage Company Lancaster, New York www.pactoolmounts.com 888-514-0083

REFERENCE	QTY	REMARKS	PROJECT
			LOCATION
			BUYER
			DEALER
			BUILDER
			SUBMITTED BY:
			DATE:



PAC offers the FASTLOK LONG, one of the newest items in our line! Securing larger and heavier items is now even easier!

- Easily and quickly secure equipment – even with gloves on.
- Track base provides fast setup and adjustment to mount a wide variety of equipment such as: Fire Extinguishers, Air Cylinders, Hydraulic Pumps, Rescue Tools, Chain Saws, Oxygen Cylinders, and many more!
- Easy Re-Adjustable
- No metal to metal contact
- UV resistant
- Also available in smaller version with less grip range (P/N K5020)
- UPDATE: Now includes our longest strap with a usable length of 25”

