



PRODUCT DATA SHEET



P/N: K5050HDS SUPER ADJUSTAMOUNT KIT HD - SHORT

The Short Super Adjustamount Kit HD offers more tool mounting capacity than our Short Adjustamount Kit HD. Super Adjustamount Kits are commonly combined with other PAC brackets to provide complete tool mounting solutions. Super Adjustamount modules are TALLER than standard Adjustamount modules. Includes 1050 & 8" long section of 2020 (1-5/8" x 1-5/8") PAC Strut HD.

TYPICAL SPECIFICATION

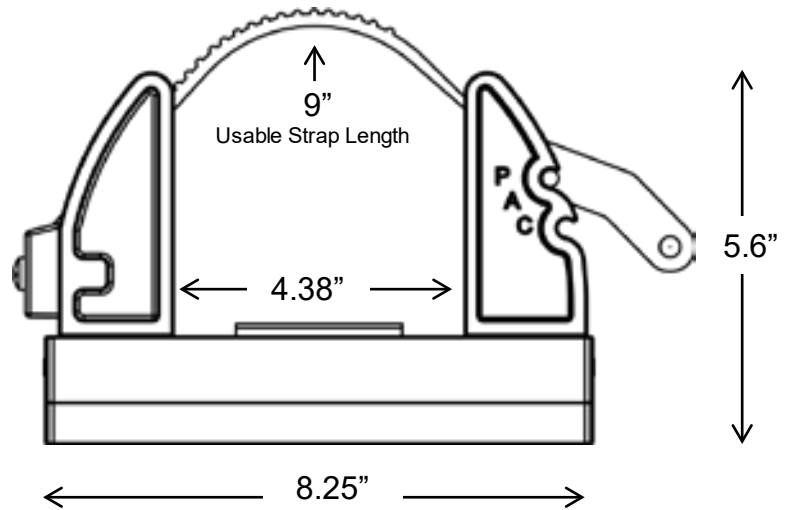
Mounting bracket Super Adjustamount Kit HD Short PAC PN K5050HDS shall include a adjustable strap to secure equipment.

Components shall be made from tough, corrosion free material. Hardware shall be stainless steel.

Users shall be protected from conductivity.

FEATURES

- Components are molded from high quality materials
- Adjustable lock strap capable to 5400 PSI tensile strength
- 9.5" usable strap length
- Can be mounted horizontally or vertically



SPECIFICATIONS

P/N	WT.	MAX LOAD	GRIP RANGE	FLAME TOXICITY CHEMICAL
K5050HDS	1.8 lbs	N/A	Up to 4-3/8"	GOOD

Dimensions 8.25" L x 1.88" W x 5.6" H

Performance Advantage Company

Lancaster, New York

www.pactoolmounts.com

888-514-0083

REFERENCE	QTY	REMARKS	PROJECT
			LOCATION
			BUYER
			DEALER
			BUILDER
			SUBMITTED BY:
			DATE:



The Short Super Adjustamount Kit HD offers more tool mounting capacity than our Short Adjustamount Kit HD. Super Adjustamount Kits are commonly combined with other PAC brackets to provide complete tool mounting solutions. Super Adjustamount modules are TALLER than standard Adjustamount modules. Includes 1050 & 8" long section of 2020 (1-5/8" x 1-5/8") PAC Strut HD.

- Components are molded from high quality materials
- Adjustable lock strap capable to 5400 PSI tensile strength
- 9.5" usable strap length
- Can be mounted horizontally or vertically