



OWNER'S MANUAL
15 SERIES
2 & 3 CAR CARRIERS

INSTALLATION, OPERATION, MAINTENANCE & PARTS

NOTE: MANUAL including SPECIFICATIONS, subject to change without notice
All ratings specified are based on structural factors only,
not vehicle capacities or capabilities.



Miller Industries Towing Equipment Inc.
8503 Hilltop Drive
Ooltewah, Tennessee 37363

Phone (423) 238-4171 • FAX (423) 238-5371

FORM NO. 0500840

Rev. 6/05

PRICE \$25.00

LIMITED WARRANTY

MILLER INDUSTRIES TOWING EQUIPMENT INC., hereinafter referred to as MILLER, warrants to the original purchaser that each new MILLER Carrier will be free from defects in material and workmanship for a period of one (1) year from the date of purchase. The purchaser must promptly notify MILLER in writing of any failure in material or workmanship. In no event shall such notification be received by MILLER later than twelve (12) months from date of delivery.

The obligation under this warranty, statutory or otherwise, is limited to the repair or replacement at our factory, or at a point designated by us, of such part or parts as shall appear to us upon inspection to be defective in material or workmanship. New or remanufactured parts will be used for any replacement.

This warranty does not obligate MILLER to bear the cost of labor or transportation charges in connection with the replacement or repair of any parts found to be defective, nor shall it apply to a product upon which repairs or alterations have been made unless authorized by us.

MILLER shall in no event be liable for any incidental or consequential damages or contingent arising out of the failure of any parts or products to operate properly. NO IMPLIED, EXPRESS, OR STATUTORY WARRANTY OTHER THAN STATED HEREIN IS MADE OR AUTHORIZED TO BE MADE BY OR FOR US, INCLUDING, BUT NOT LIMITED TO, THE IMPLIED WARRANTIES OF MERCHANTABILITY AND FITNESS FOR A PARTICULAR PURPOSE.

MILLER makes no warranty, express or implied, as to finished products manufactured or supplied by another manufacturer or supplier by MILLER to purchaser, including, but not limited to, any vehicle to which a MILLER product may be affixed or accessories or wire rope (cable), and expressly disclaims any implied warranties of merchantability or fitness for a particular purpose as to such equipment or products. This language shall in no way affect or diminish the rights of purchaser to rely on such warranties as are extended by such manufacturers or suppliers.

MILLER, whose policy is one of continuous improvement, reserves the right to improve its product through changes in design or materials as it may deem desirable without being obligated to incorporate such changes in products of prior manufacture.

IT IS EXPRESSLY UNDERSTOOD THAT THERE IS NO IMPLIED WARRANTY THAT MILLER CARRIERS SHALL BE FIT FOR THE PURPOSE OF LIFTING OR MOVING PERSONS OR OTHER IMPROPER USE. THIS WARRANTY IS NOT TRANSFERABLE.

SERIAL NUMBER

Section VI - PARTS

This Section is provided by the manufacturer for the purpose of ordering any component part of the **15 Series Car Carrier** that may be required when part replacement is necessary. Be certain to use only original equipment replacement parts for warranty purposes as well as for keeping your **15 Series Car Carrier** in its original state and optimum operating capacities.

When ordering replacement or spare parts be sure to provide the following information to your carrier manufacturer authorized representative.

1. **Manual Number & Date of Publication**
2. **Manual Page Number**
3. **Page Title**
4. **Reference Number of Part Desired**
5. **Part Number**
6. **Part Description**
7. **Quantity of Part Desired**

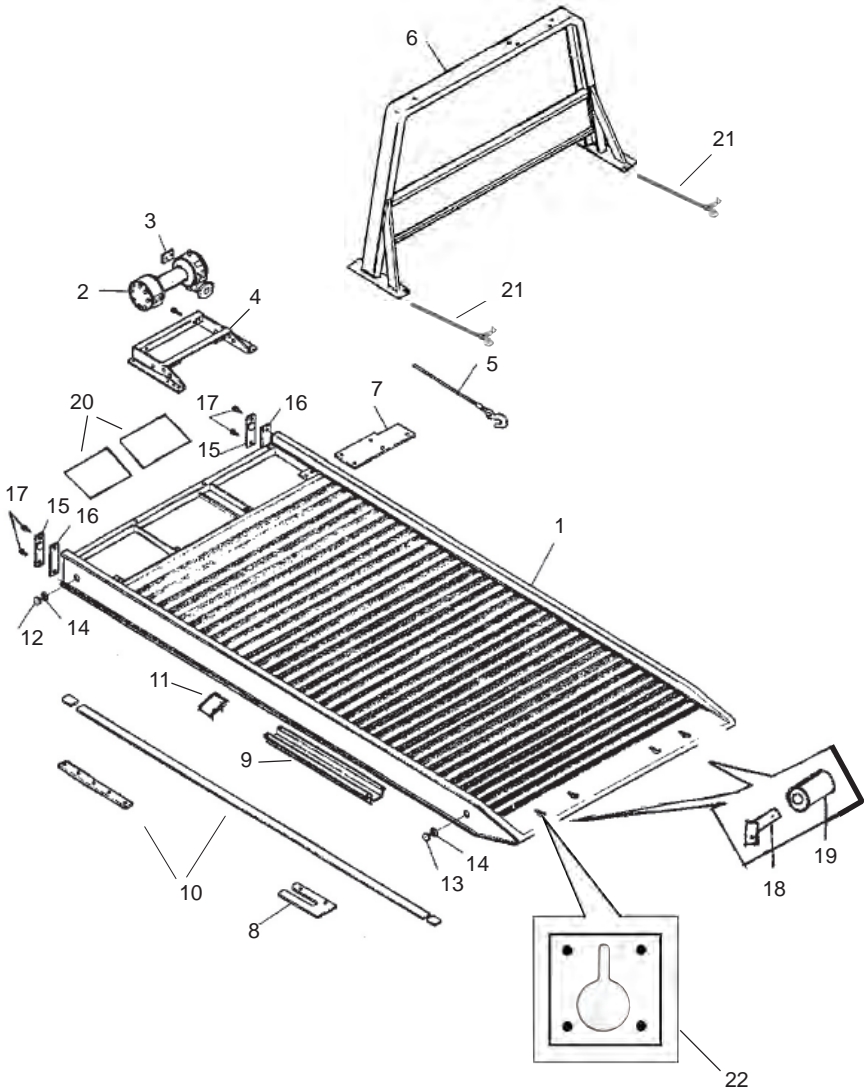
Providing this information will help ensure that the correct parts will be delivered to you in an expedient manner without delay. Should additional information be required for repair or replacement of certain components, contact **Miller Industries, Hermitage, PA, Phone: 724-981-3328, FAX 724-981-5260.**

The Manufacturer reserves the right, without notice or obligation, to improve or modify their products, which may change the specifications, models and feature availability.

Section VI - PARTS (cont'd)

ALUMINUM BED ASSEMBLY

FULL SIDE



Section VI - PARTS (cont'd)

ALUMINUM BED ASSEMBLY

FULL SIDE

REF. NO.	NO. REQ'D	PART NUMBER	DESCRIPTION
1	1	*	CARRIER BED WELDMENT
2	1	0308698	WINCH - 4 TON WORM
3	2	0701172	SPACER, WINCH BRACKET
4	1	0801482	WINCH FRAME - 4 TON WORM
5	1	0301669	WINCH CABLE ASSEMBLY
6	1	*	CAB PROTECTOR WELDMENT - SPECIFY CHASSIS
7	1	0703203	COVER PLATE
8	1	0708913	ANTI-TILT PLATE
9	1	0720283	HOSE TRAY - 19'
	1	0710777	HOSE TRAY - 21'
10	1	0905059	BEARING PAD KIT - 19'6
	1	0905060	BEARING PAD KIT - 21' THRU 22'2
11	1	0805207	HOSE CLAMP WELDMENT
12	2	0311513	LIGHT 2.5" AMBER REFLEX LED (MCL59AB)
13	2	0311512	LIGHT 2.5" RED REFLEX LED (MCL509RB)
14	4	0311516	LIGHT 2.5" GROMMET
15	2	0308969A	MARKER LIGHT, AMBER
16	2	0710915	BED FILLER PLATE
17	4	0403006	10-24 x 5/8" BHSCS SS
18	2	0750842	ROLLER PIN WELDMENT
19	2	0721483	ROLLER
20	2	0306054	TRAY MAT
21	2	0302493	FRONT SAFETY CHAIN ASSEMBLY - 5/16" x 8'
22	4	0707239	KEY HOLE PLATE
	16	0403053	3/8 - 16 x 1-1/4" CARRIAGE HEAD BOLT SS
	16	0402122	3/8 - 16 HEX NUT SS
	16	0402121	3/8 LOCK WASHER SS

* CONTACT DISTRIBUTOR FOR ADDITIONAL INFORMATION

Section VI - PARTS (cont'd)

ALUMINUM BED ASSEMBLY

REMOVABLE RAIL

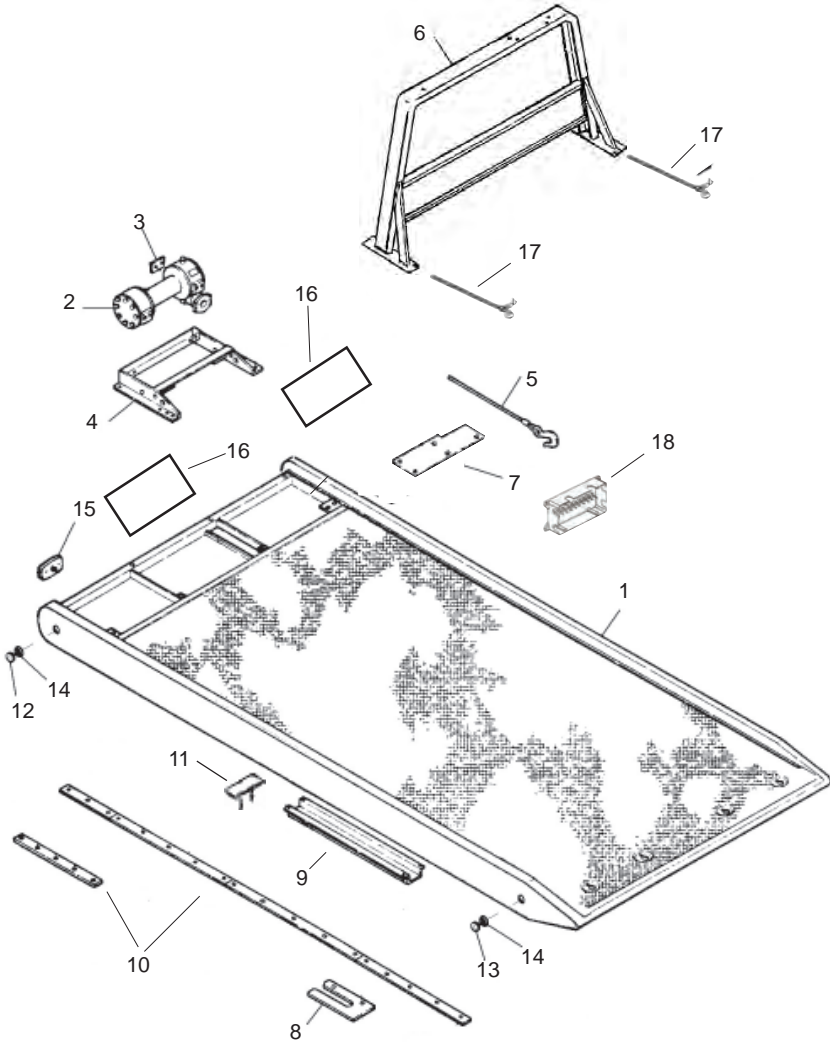
REF. NO.	NO. REQ'D	PART NUMBER	DESCRIPTION
1	1	*	CARRIER BED WELDMENT
2	1	0308698	WINCH - 4 TON WORM
3	2	0701172	SPACER, WINCH BRACKET
4	1	0801482	WINCH FRAME - 4 TON WORM
5	1	0301669	WINCH CABLE ASSEMBLY
6	1	*	CAB PROTECTOR WELDMENT - SPECIFY CHASSIS
7	1	0703203	COVER PLATE
8	1	0708913	ANTI-TILT PLATE
9	1	0720283	HOSE TRAY - 19'
	1	0710777	HOSE TRAY - 21'
10	2	0809393	REAR REMOVABLE RAIL - STEEL (19' THRU 21'6)
11	2	0802661	MID REMOVABLE RAIL - STEEL (19' THRU 21'6)
12	2	*	FRONT REMOVABLE RAIL - STEEL
13	4	0306070	LYNCH PIN
14	1	0905059	BEARING PAD KIT - 17' THRU 19'6
	1	0905060	BEARING PAD KIT - 21' THRU 22'2
15	1	0805207	HOSE CLAMP WELDMENT
16	2	0311513	LIGHT 2.5" AMBER REFLEX LED (MCL59AB)
17	2	0306054	TRAY MATS
18	4	0311516	LIGHT 2.5" GROMMET
19	2	0308360	LED MARKER LIGHT, AMBER (RECT)
20	2	0308359	LED MARKER LIGHT, RED (RECT)
21	2	0750842	J-BAR
22	2	0751155	J-BAR MOUNTING BRACKET (RR ONLY)
23	2	0302493	FRONT SAFETY CHAIN ASSEMBLY - 5/16" X 8'
24	4	0707239	KEY HOLE PLATE
	16	0403053	3/8 - 16 x 1-1/4" CARRIAGE HEAD BOLT SS
	16	0402122	3/8 - 16 HEX NUT SS
	16	0402121	3/8 LOCK WASHER SS

* CONTACT DISTRIBUTOR FOR ADDITIONAL INFORMATION

Section VI - PARTS (cont'd)

STEEL BED ASSEMBLY

TUBE SIDE



Section VI - PARTS (cont'd)

STEEL BED ASSEMBLY

TUBE SIDE

REF. NO.	NO. REQ'D	PART NUMBER	DESCRIPTION
1	1	*	CARRIER BED WELDMENT
2	1	0308698	4 TON WINCH ASSEMBLY
3	2	0701172	SPACER, WINCH BRACKET
4	1	0801482	WINCH FRAME - 4 TON WORM
5	1	0301669	WINCH CABLE ASSEMBLY
6	1	*	CAB PROTECTOR WELDMENT -SPECIFY CHASSIS
7	1	0750348	COVER PLATE
8	1	0708913	ANTI-TILT PLATE
9	1	0720283	HOSE TRAY - 19'
	1	0710777	HOSE TRAY - 21'
10			BEARING PAD - REFER TO SUBFRAME SECTION
11			
12	2	0311513	LIGHT 2.5" AMBER REFLEX LED (MCL59AB)
13	2	0311512	LIGHT 2.5" RED REFLEX LED (MCL509RB)
14	4	0311516	LIGHT 2.5" GROMMET
15	2	0308360	LED MARKER LIGHT, AMBER (RECT.)
16	2	0306054	STORAGE TRAY MAT - ALL STEEL BODIES
17	2	0302493	FRONT SAFETY CHAIN ASSEMBLY - 5/16" x 8'
18	1	0303385	JUNCTION BOX

* CONTACT DISTRIBUTOR FOR ADDITIONAL INFORMATION

Section VI - PARTS (cont'd)

STEEL BED ASSEMBLY REMOVABLE RAIL

REF. NO.	NO. REQ'D	PART NUMBER	DESCRIPTION
1	1	*	CARRIER BED WELDMENT
2	1	0308698	4 TON WINCH ASSEMBLY
3	2	0701172	SPACER, WINCH BRACKET
4	1	0801482	WINCH FRAME - 4 TON WORM
5	1	0301669	WINCH CABLE ASSEMBLY
6	1	*	CAB PROTECTOR WELDMENT -SPECIFY CHASSIS
7	1	0750348	COVER PLATE
8	1	0708913	ANTI-TILT PLATE
9	2	0720283	HOSE TRAY - 19'
	2	0710777	HOSE TRAY - 21'
10	2	0809393	REAR REMOVABLE RAIL - STEEL (19' THRU 21'6)
11	2	0802661	MID REMOVABLE RAIL - STEEL (19' THRU 21'6)
12	2	*	FRONT REMOVABLE RAIL - STEEL
13	4	0306070	LYNCH PIN
14	1	0905043	BEARING PAD KIT - 19'
	1	0905383	BEARING PAD KIT - 21'
		*	BEARING PAD KIT
15	1	0805207	HOSE CLAMP WELDMENT
16	4	0311513	LIGHT 2.5" AMBER REFLEX LED (MCL59AB)
17	2	0311512	LIGHT 2.5" RED REFLEX LED (MCL509RB)
18	6	0311516	LIGHT 2.5" GROMMET
19	2	0302493	FRONT SAFETY CHAIN ASSEMBLY - 5/16" x 8'
20	1	0303385	JUNCTION BOX

* CONTACT DISTRIBUTOR FOR ADDITIONAL INFORMATION

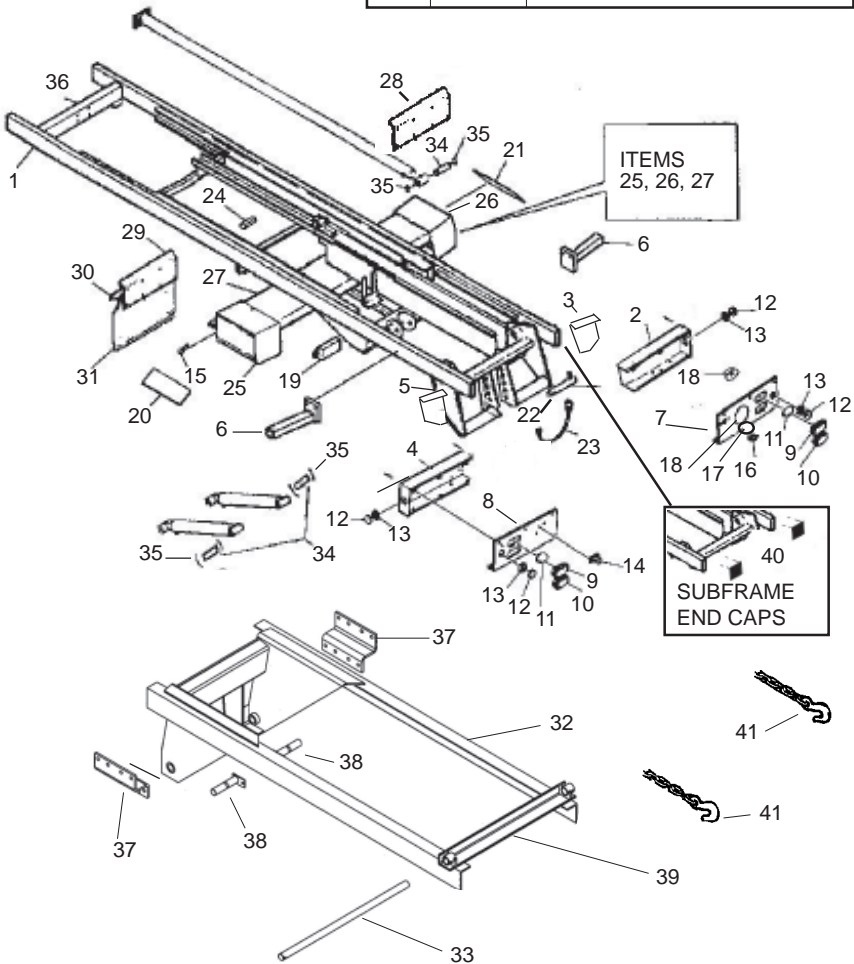
Section VI - PARTS (cont'd)

TILT FRAME ASSEMBLY

BEZEL TYPE	LH	RH
HORIZONTAL S.S.	0721760	0721761
VERTICAL S.S.	0721339	0721340
HORIZONTAL BLK.	0705253	0705254
VERTICAL BLK.	0720030	0720031

TAIL LIGHT HOUSING FASTENER KIT (ONE SIDE)		
QTY	PART NUMBER	DESCRIPTION
4	0403053	3/8-16 x 1-1/4 CARR. HD. BOLT SS
4	0402122	3/8-16 HEX NUT SS
4	0403053	3/8 LOCK WASHER SS

BEZEL FASTENER KIT (ONE SIDE)		
QTY	PART NUMBER	DESCRIPTION
6	0400071	1/4-20 x 3/4 RHMS SS
6	0400371	1/4-20 LUG NUT Z
6	0402111	1/4 LOCK WASHER SS



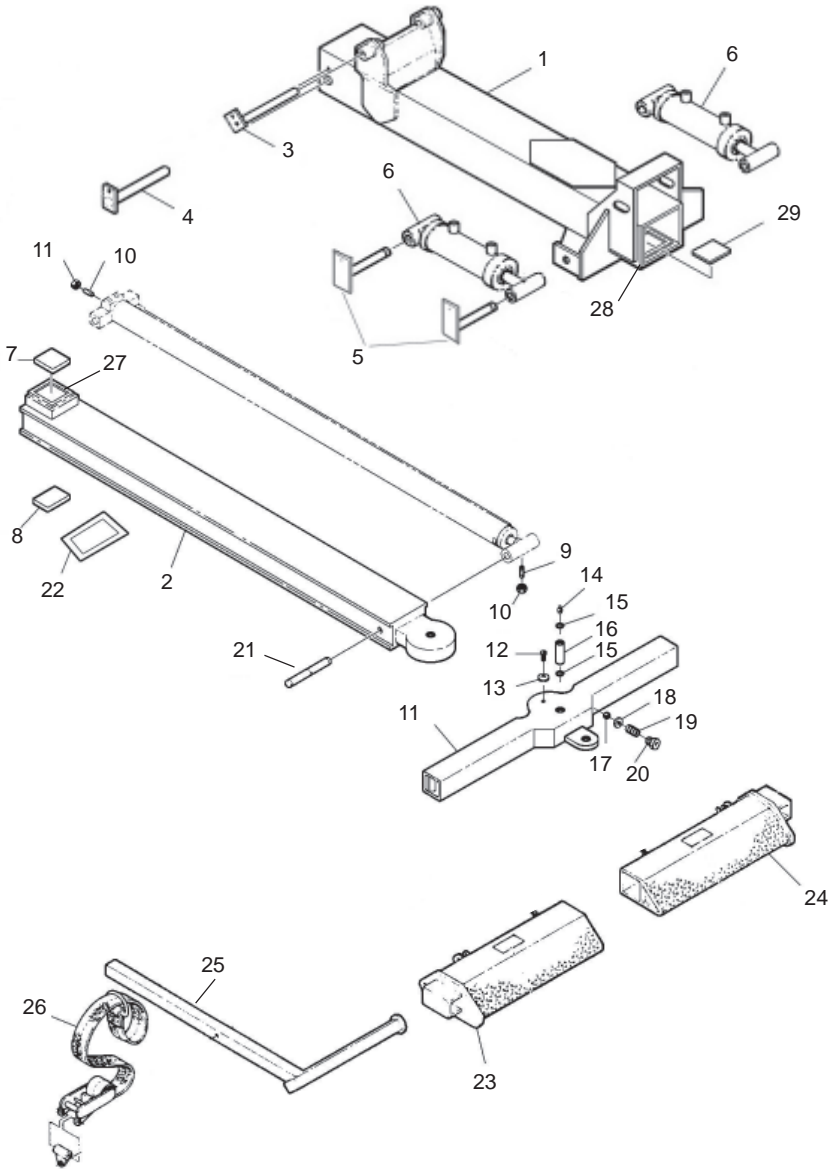
Section VI - PARTS (cont'd)

TILT FRAME ASSEMBLY

REF. NO.	NO. REQ'D	PART NUMBER	DESCRIPTION
1	1	0806274 *	TILT FRAME - W/L TILT FRAME - D/S T/B NWL
2	1	0809092	TAIL LIGHT HOUSING (RH)
3	1	0710784	TAIL LIGHT MTG. BRACKET (RH) ALL SERIES
4	1	0809093	TAIL LIGHT HOUSING (LH)
5	1	0710783	TAIL LIGHT MTG. BRACKET (LH) ALL SERIES
6	2	0809142	L-ARM STORAGE TUBE BRACKET
7	1		PLATE, LIGHT MOUNTING (RH) - See page 10
8	1		PLATE, LIGHT MOUNTING (LH) - See page 10
9	2	0311498	LIGHT 6" OVAL RED LED
10	2	0311510	LIGHT 6" OVAL REVERSE LED
11	4	0311503	LIGHT 6" GROMMET
12	4	0311512	LIGHT 2.5" RED REFLEX LED (MCL59RB)
13	4	0311516	LIGHT 2.5" GROMMET
14	1	0308313	LED LICENSE PLATE ILLUMINATOR
15	2	0311527	LIGHT CONTROL BOX W/BASE AND WIRE
16	1	0301813	TOW LIGHT SOCKET
17	1	0306385	BACK-UP ALARM
18	1	0311528	BACK-UP ALARM GROMMET MODEL 40
19	1	0303385	JUNCTION BOX
20	1	0500425	CONTROL STA. DECAL, 5 SPOOL (LH)
21	1	0500426	CONTROL STA. DECAL, 5 SPOOL (RH)
22	1	0709867	SAFETY PIN (1-1/4" x 14" CR)
23	1	0905895	SAFETY PIN HDW. (0709867)
24	1	0306052	CYLINDER PAD
25	1	0809511L	CONTROL BOX HOOD WELDMENT (LH)
26	1	0809511R	CONTROL BOX HOOD WELDMENT (RH)
27	1	0809510	CONTROL BOX SUPP. CHANNEL (LONG)
	1	0940125	ITEMS #25, 26, 27 COMPLETE
28	1	0720080	MUD FLAP MTG. BRACKET, STD. LONG (RH)
29	1	0720081	MUD FLAP MTG. BRACKET, STD. LONG (LH)
30	2	0750340	BAR, MUD FLAP SUPPORTS (S.S.)
31	2	*	MUDFLAP 24" x 24"
32		0805745	MOUNTING FRAME
33	1	0721546	PIN, PIVOT (HINGE)
34	5	0702434	PIN, LIFT CYL & BED EXTENDED
35	10	0301642	SNAP RING 1-1/4"
36	1	0806144	CYLINDER MTG. CROSSMEMBER-TILT FRAME
37	2	0805188	MOUNTING BRACKET
38	2	0801201	TILT CYLINDER PIN
39	1	0806275	TILT PIVOT WELDMENT
40	2	0308093	SUBFRAME END CAP
41	2	0302493	SAFETY CHAIN
	1	0940278	BEARING PAD KIT - (10 SERIES)

Section VI - PARTS (cont'd)

WHEEL LIFT & SLIDE-IN TIRE RESTRAINT ASSEMBLY



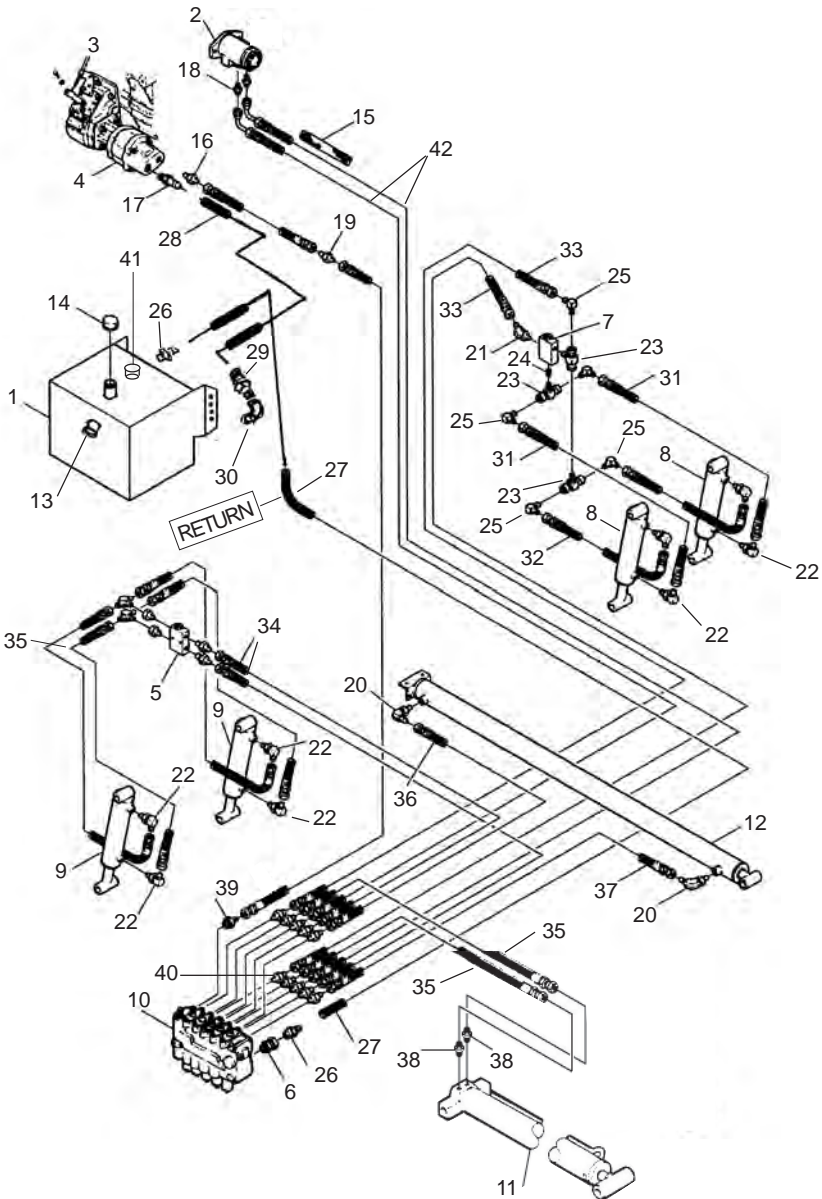
Section VI - PARTS (cont'd)

WHEEL LIFT & SLIDE-IN TIRE RESTRAINT ASSEMBLY

REF. NO.	NO. REQ'D	PART NUMBER	DESCRIPTION
1	1	0806109	OUTER BOOM WELDMENT
2	1	0806110	INNER BOOM WELDMENT
3	1	0801009	WHEEL LIFT CYLINDER PIN
4	1	0801210	PIN, EXTEND CYLINDER PIVOT
5	4	0806094	PIN, LIFT CYLINDER WELDMENT
6	2	0302368	WHEEL LIFT CYLINDER
7	1	0301850	BEARING PAD, NYLATRON (INNER BOOM)
8	1	0750319	BEARING PAD (UHMW) 3/16 x 2-3/8 x 3
9	2	0400221	3/8-16 x 1" ALLEN HD SET SCREW Z
10	2	0400393	3/8-16 HEX JAM NUT Z
11	1	0808506	INNER CROSSBAR WELDMENT
12	1	0403004	3/8-16 x 3/4" BUTTON HEAD CAP SCREW
13	1	0720463	WASHER, PIVOT PIN RETAINER
14	1	0300113	GREASE FITTING, STRAIGHT
15	2	0308132	O-RING 1" ID x 1-1/4" OD x 1/8"
16	1	0720460	PIVOT PIN, W/L CROSSBAR
17	1	0308129	BALL, CHROME 1" (GRADE 16)
18	1	0721632	SPACER, CROSSBAR DETENT
19	1	0308131	SPRING, DIE
20	1	0308130	PIPE PLUG
21	1	0702131	PIVOT PIN (REAR)-EXTEND CYLINDER
22	1	0720357	ENCAPSULATING CAGE, INNER
23	1	0909498L	OUTER XTUBE ASSEMBLY (LH)
24	1	0909498R	OUTER XTUBE ASSEMBLY (RH)
25	2	0801332	L-ARM
26	2	0308664	STRAP, RATCHET PIVOT ASSEMBLY
27	1	0720060	ENCAPSULATING CAGE (TOP)
28	1	0750482	STINGER STOP BLOCK
29	1	0302183	BEARING PAD

Section VI - PARTS (cont'd)

HYDRAULICS



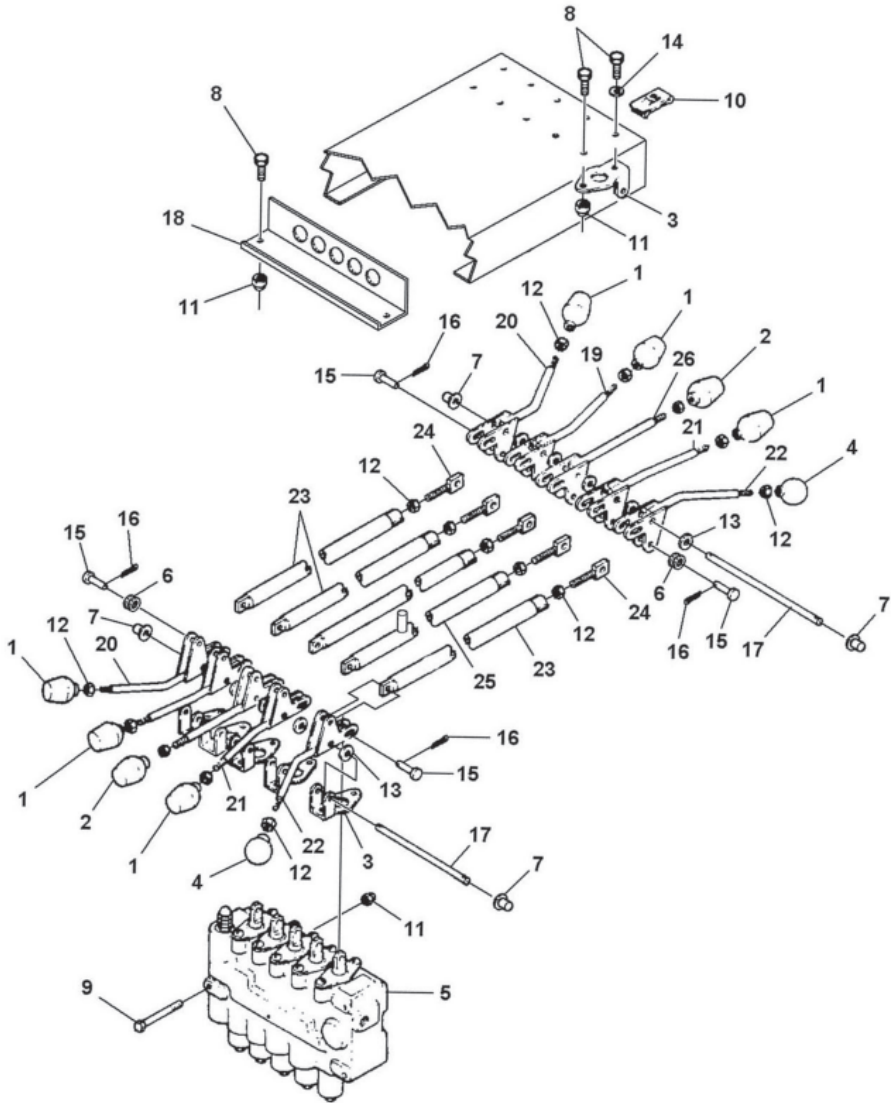
Section VI - PARTS (cont'd) HYDRAULICS

REF. NO.	NO. REQ'D	PART NUMBER	DESCRIPTION
1	1	0805186	OIL RESERVOIR
2	1	0306157	WINCH MOTOR, 4 TON
	1	0302148	WINCH MOTOR, 5/6 TON
3	1	*	PTO
4	1	0306031	PUMP (15 GPM)
5	1	0302024	BED TILT CYLINDER LOCK VALVE
6	1	0308393	HYD. FITTING 3/4" MORB x 3/4" FP
7	1	0301731	WHEEL LIFT LOCK VALVE
8	2	0302368	CYLINDER, WHEEL LIFT UP/DN
9	2	0302012	CYLINDER, BED TILT
10	1	0302179	VALVE BODY, 5 SPOOL
11	1	0302178	CYLINDER, WHEEL LIFT EXTEND
12	1	0301970	CYLINDER, BED EXTEND
13	1	0306023	SIGHT GLASS
14	1	0702741	CAP, OIL RESERVOIR
15	*	0306338	SKUFF JACKET
16	1	0302757	HYDRAULIC FITTING 8MJ-16MB
17	1	0300492	HYDRAULIC FITTING 1" HOSE BARB MB
18	6	0301470	HYDRAULIC FITTING 6MJ-8MB 90 DEG.
19	1	0300865	HYDRAULIC FITTING 8MJ-8MJ
20	4	0300229	HYDRAULIC FITTING 8MJ-8MP 90 DEG.
21	1	0301848	HYDRAULIC FITTING 6MJ-6MP 45 DEG.
22	8	0306143	HYDRAULIC FITTING 6MJ-6MB 90 DEG.
23	3	0301868	HYDRAULIC FITTING 4FP-4FP-4MP BRANCH "T"
24	1	0306117	HEX BUSHING 3/8" x 1/4" (151157X)
25	5	0300142	HYDRAULIC FITTING 6MJ-4MP 90 DEG.
26	2	0308296	LOCK ON STEM, 3/4" MALE NPT
27	1	0704366	HOSE RETURN 3/4" x 20' LONG
28	1	0306080	HOSE SUCTION 1" x 11' LONG
29	1	0300056	HYDRAULIC FITTING 1" HOSE BARB MP
30	1	0300692	HYDRAULIC FITTING 1" 90 DEG. STREET ELL
31	2	0306109	HOSE 4M2T-6FJX-6FJX 1/4 x 21
32	2	0301660	HOSE 4M3K 6FJX-6FJX 1/4 x 21
33	2	0301403	HOSE 4M3K 6FJX-6FJX 1/4 x 80
34	2	0308497	HOSE 8M3K 8FJX-8FJX 1/2 x 175
35	4	0301478	HOSE 4M3K 6FJX-6FJX 1/4 x 60
36	1	0301658	HOSE 8M3K 8FJX-8FJX 1/2 x 128
37	1	0306071	HOSE 8M3K 8FJX-8FJX 1/2 x 58
38	2	0301522	HYDRAULIC FITTING 6MJ-6MB
39	2	0300789	HYDRAULIC FITTING 8MJ-10MB
40	1	0300044	HYDRAULIC FITTING 6MJ-8MB
41	1	9018399	IMMERSION FILTER ASSY
	1	9018309	IMMERSION FILTER ELEMENT
42	2	*	WINCH HOSES

* CONTACT DISTRIBUTOR FOR ADDITIONAL INFORMATION

Section VI - PARTS (cont'd)

CONTROL & CROSSROD ASSEMBLY



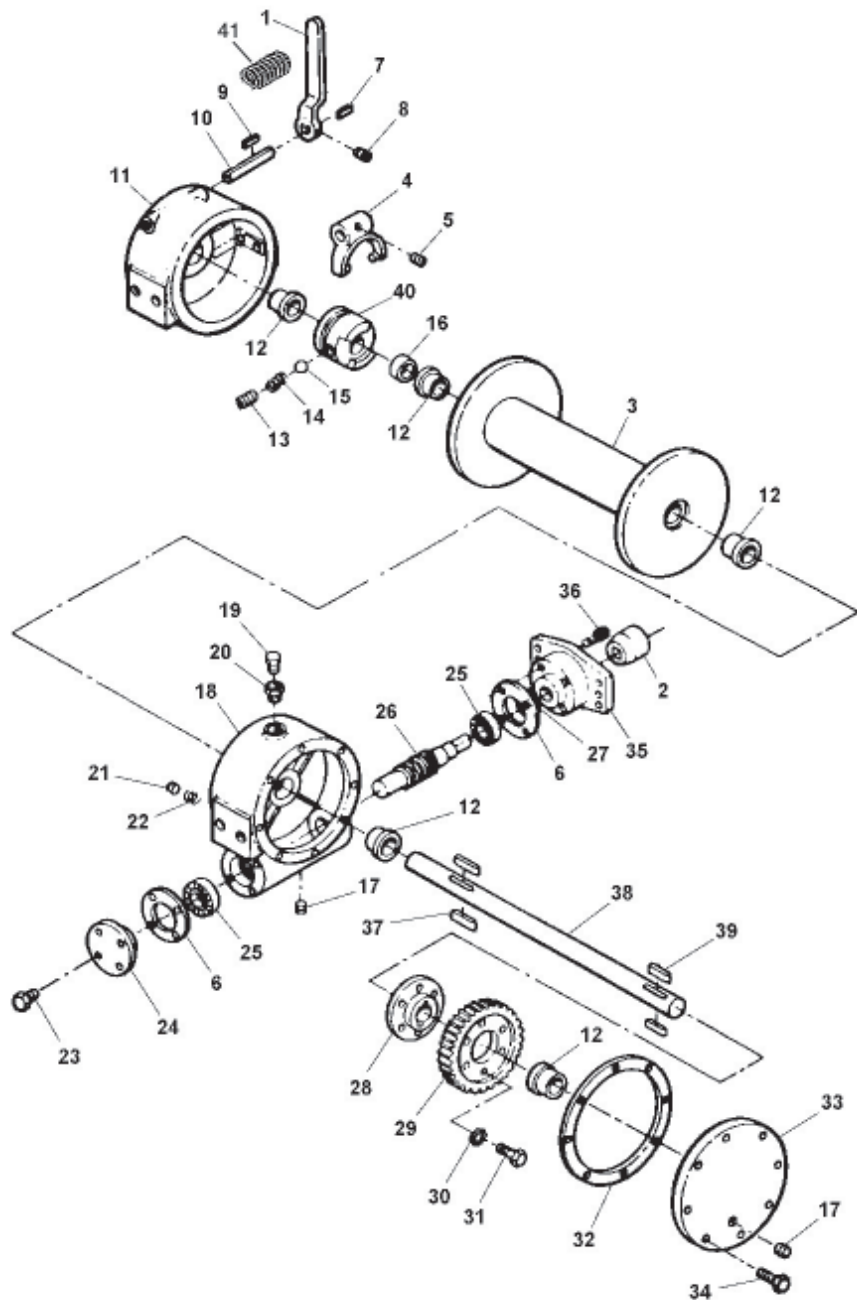
Section VI - PARTS (cont'd)

CONTROL & CROSSROD ASSEMBLY

REF. NO.	NO. REQ'D	PART NUMBER	DESCRIPTION
1	4	0311699	CONTROL KNOB, BLUE SB/B - TILT, SP
2	2	0311700	CONTROL KNOB, RED, PRIMARY WINCH
3	10	0301638	BRACKET, CONTROL HANDLE
4	4	0311702	CONTROL KNOB, GRAY W/L EXT/UP-DW
5	1	0302179	5-SPOOL CONTROL VALVE
6	10	0306006	SPRING, ANTI-RATTLE
7	4	0306122	END CAP, CONTROL HANDLE ROD
8	12	0400121	3/8-16 x 3/4" HHCS GR5 Z
9	3	0400140	3/8-16 x 4" HHCS GR5 Z
10	5	0400243	3/8-16, J-NUT TINNEMAN
11	10	0400392	3/8-16 NYLON LOCK NUT Z
12	10	0400393	3/8-16 HEX JAM NUT Z
13	15	0400465	5/16" SAE FLAT WASHER Z
14	5	0400482	3/8" LOCK WASHER Z
15	10	0400532	5/16" x 1" CLEVIS PIN Z
16	10	0403067	BOWTIE - Z
17	2	0705242	ROD, CONT. HANDLE 5 SPOOL
18	1	0720456	UHMW ANGLE
19	2	0809135	CONTROL HANDLE (FWD. INNER) LONG
20	2	0809138	CONTROL HANDLE (FWD. OUTER) LONG
21	2	0809136	CONTROL HANDLE (REAR INNER) LONG
22	2	0809137	CONTROL HANDLE (REAR OUTER) LONG
23	4	0806111	CONTROL ROD WELDMENT
24	5	0800800	CONTROL ROD LINK
25	1	0806112	CONTROL ROD WELDMENT (ANTI-TILT)
26	2	0809134	CONTROL HANDLE WELDMENT (CTR) LONG

Section VI - PARTS (cont'd)

4-TON HYDRAULIC WINCH



Section VI - PARTS (cont'd)

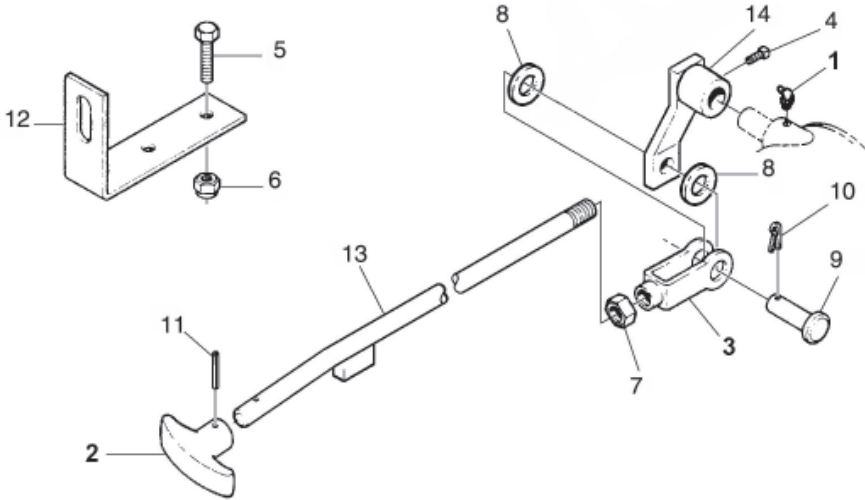
4-TON HYDRAULIC WINCH

REF. NO.	NO. REQ'D	PART NUMBER	DESCRIPTION
1	1	0300261	LEVER
2	1	0300290	COUPLING
3	1	0300381	DRUM
4	1	0300398	YOKE
5	1	0300399	SCREW
6	2	0300447	GASKET
7	1	0300448	KEY
8	1	0300449	SCREW
9	1	0300450	KEY
10	1	0300451	SHAFT
11	1	0300452	CLUTCH HOUSING
12	5	0300453	BUSHING
13	1	0300454	SCREW
14	1	0300455	SPRING
15	1	0300456	BALL
16	1	0300458	SPACER
17	2	0300459	PLUG
18	1	0300460	HOUSING
19	1	0300461	PLUG
20	1	0300462	REDUCER
21	1	0300463	DRAG BRAKE
22	1	0300464	SPRING
23	16	0300465	SCREW
24	1	0300466	CAP
25	2	0300467	BEARING
26	1	0300468	WORM
27	1	0300471	SEAL
28	1	0300472	HUB
29	1	0300473	GEAR
30	6	0300474	WASHER
31	6	0300475	SCREW
32	1	0300476	GASKET
33	1	0600477	COVER
34	4	0300569	SCREW
35	1	0300694	CAP ADAPTER
36	1	0300695	SCREW
37	2	--	KEY
38	1	--	SHAFT
39	2	--	KEY
40	1	--	CLUTCH
41	1	0308608	TORSION SPRING
*	1	0308698	4 TON WORM WINCH ASSEMBLY

* When ordering specify winch serial number.

Section VI - PARTS (cont'd)

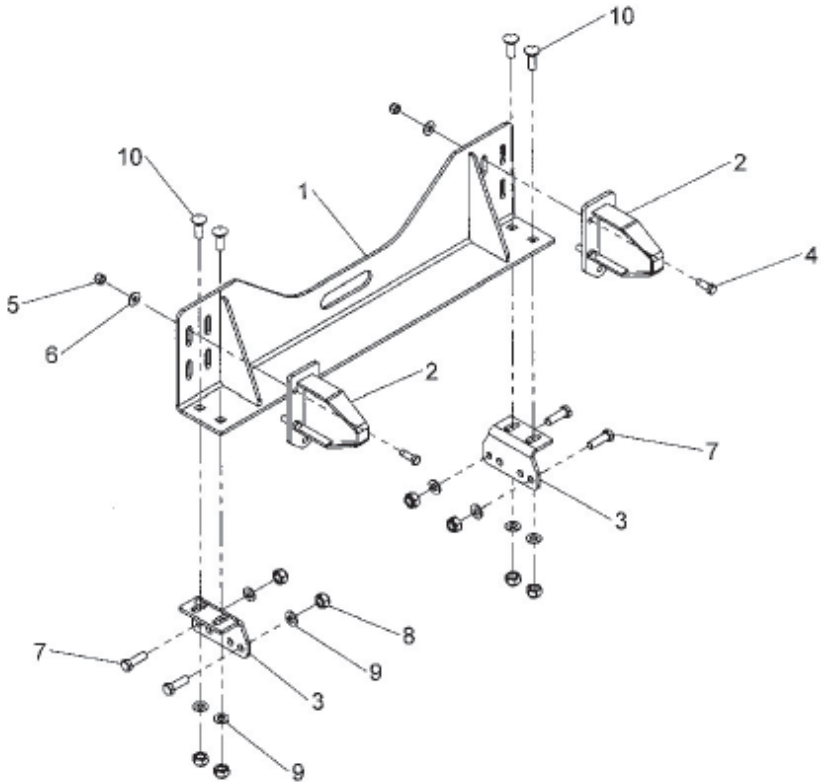
WINCH CLUTCH CONTROL



REF. NO.	NO. REQ'D	PART NUMBER	DESCRIPTION
1	1	0301397	GREASE FITTING, 90°
2	1	0301532	"T" HANDLE
3	1	0301588	ADJUSTING YOKE
4	1	0400116	SCREW, 5/16"-18 x 1/2" SQ HD SET
5	2	0400126	SCREW, 3/8"-16 x 1" HEX HD CAP
6	2	0400392	NUT, 3/8"-16 NYLOK
7	1	0400410	NUT, 1/2"-13 JAM
8	4	0400492	WASHER, 1/2" FLAT
9	1	0400537	PIN, 1/2" x 1-1/2" CLEVIS
10	1	0400546	PIN, 1/8" x 1-1/4" COTTER
11	2	0400560	PIN, 5/32" x 1" ROLL
12	1	0710918	MOUNTING ANGLE
13	1	0805170	CONTROL ROD
14	1	0805151	BELL CRANK
	1	0905034	WINCH CLUTCH CONTROL ASSEMBLY

Section VI - PARTS (cont'd)

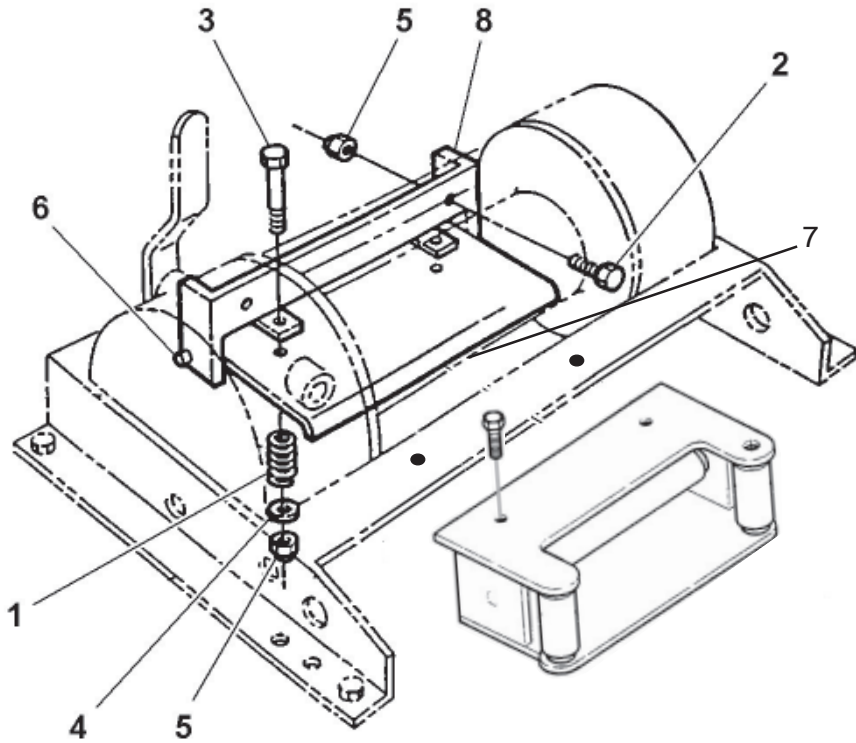
BED LOCK ASSEMBLY



REF. NO.	NO. REQ'D	PART NUMBER	DESCRIPTION
1	1	0809181	BED LOCK WELDMENT
2	2	0809182	BED LOCK HOLD-DOWN
3	2	0809183	MOUNTING BRACKET
4	8	0400181	BOLT, 1/2-13 x 1-1/2 HHCS ZP GRADE 5
5	8	0400408	NYLON LOCK NUT, 1/2-13 ZP
6	8	0403040	FLAT WASHER, 1/2 ZP
7	4	0400260	BOLT, HHCS 5/8-11 x 2 ZP GRADE 5
8	8	0400421	NUT, 5/8-11 NYLON LOCK ZP
9	8	0400505	FLAT WASHER 5/8 ZP
10	4	0403068	CARRIAGE BOLT 5/8-11 x 1-3/4 ZP GRADE 5
	1	0905078	BED LOCK ASSEMBLY

Section VI - PARTS (cont'd)

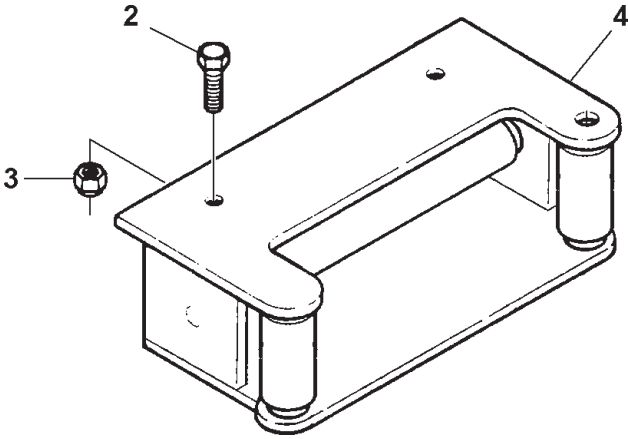
CABLE TENSIONER ASSEMBLY (STANDARD 4-TON WINCH)



REF. NO.	NO. REQ'D	PART NUMBER	DESCRIPTION
1	2	0301729	TENSIONING SPRING
2	2	0400126	SCREW, 3/8"-16 x 1" HEX HD CAP
3	2	0400130	SCREW, 3/8"-16 x 3-1/2" HEX HD CAP
4	2	0400480	WASHER, 3/8" FLAT
5	4	0400392	NUT, 3/8"-16 HEX NYLOK
6	2	0400554	ROLL PIN, 3/8" x 1"
7	1	0800908	TENSIONING PLATE
8	1	0800909	CABLE TENSIONER BRACKET
	1	124001329	CABLE TENSIONER ASSEMBLY

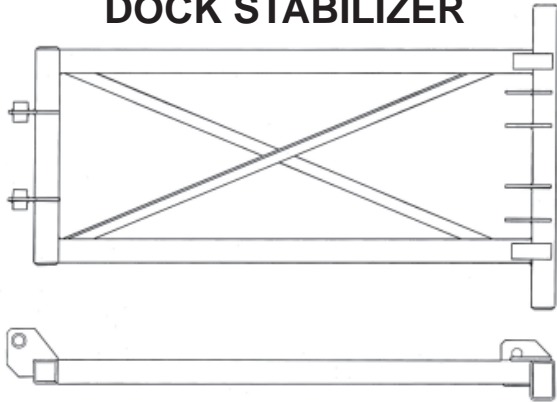
Section VI - PARTS (cont'd)

CABLE ROLLER ASSEMBLY



REF. NO.	NO. REQ'D	PART NUMBER	DESCRIPTION
1	--	0900892	CABLE ROLLER ASSEMBLY
2	2	0400177	SCREW, 1/2"-13 x 1-1/4" HEX HD
3	2	0400408	NUT, 1/2"-13 NYLOK
4	1	0805037	CABLE ROLLER GUIDE WELDMENT

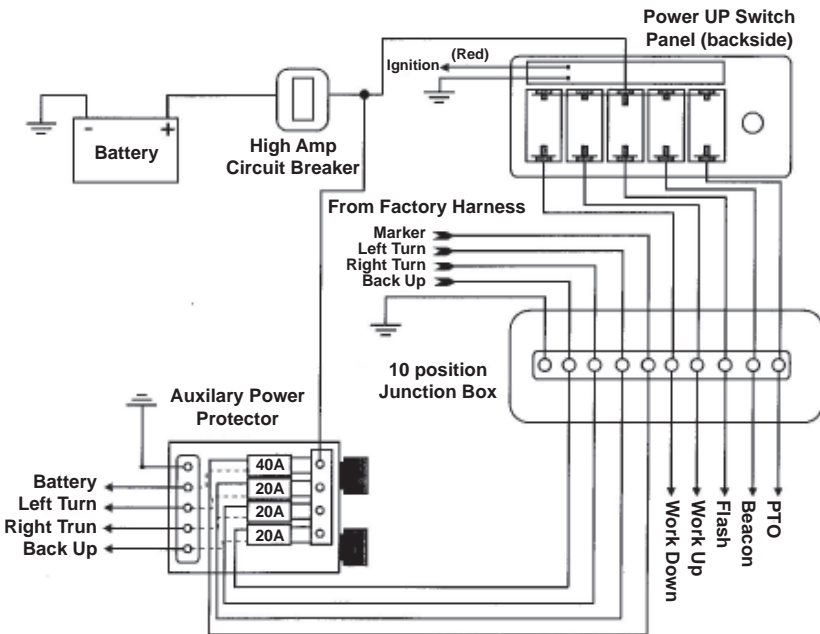
DOCK STABILIZER



REF. NO.	PART NUMBER	DESCRIPTION
1	0805755	DOCK STABILIZER WELDMENT

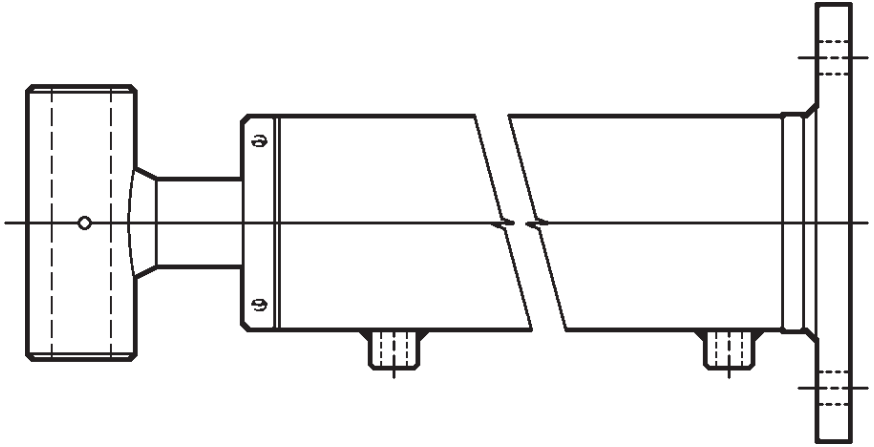
Section VI - PARTS (cont'd)

OPTIONAL DASHBOARD PANEL

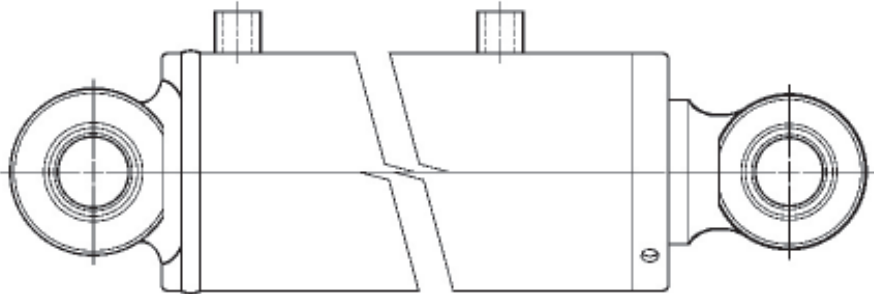


Section VI - PARTS (cont'd)

HYDRAULIC CYLINDERS



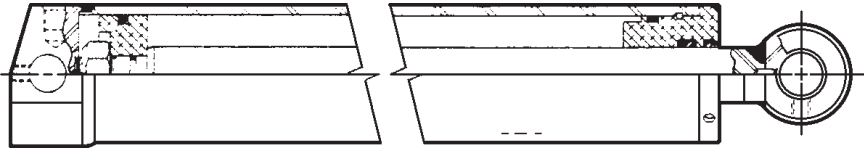
REF. NO.	NO. REQ'D	PART NUMBER	DESCRIPTION
1	1	0301970	CYLINDER, BED EXTEND
2	--	0308385	SEAL KIT, BED EXTEND



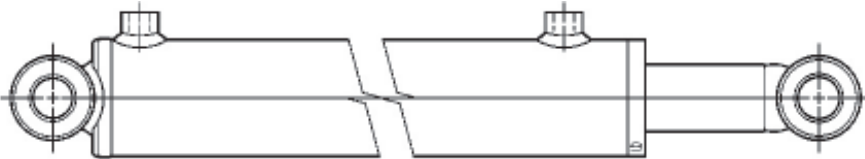
REF. NO.	NO. REQ'D	PART NUMBER	DESCRIPTION
1	2	0302012	CYLINDER, BED TILT
2	1	0308384	SEAL KIT, BED TILT

Section VI - PARTS (cont'd)

HYDRAULIC CYLINDERS



REF. NO.	NO. REQ'D	PART NUMBER	DESCRIPTION
1	1	0302178	CYLINDER, WHEEL LIFT EXTEND
2	--	0308388	SEAL KIT, WHEEL LIFT EXTEND



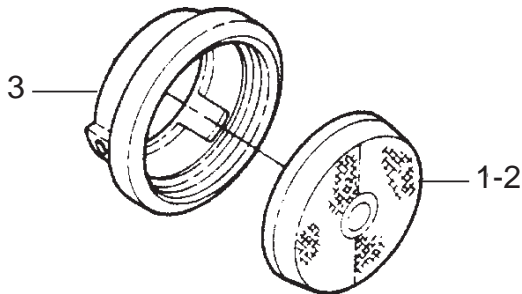
REF. NO.	NO. REQ'D	PART NUMBER	DESCRIPTION
1	2	0302368	CYLINDER, W/L UP/DOWN
2	1	0308385	SEAL KIT, W/L UP/DOWN

Section VI - PARTS (cont'd)

LIGHT KIT



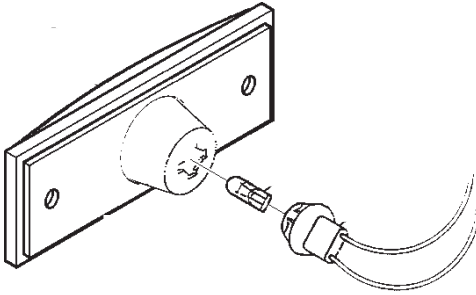
REF. NO.	PART NUMBER	DESCRIPTION
1	3011498	LIGHT 6" OVAL RED LED
2	0311500	LIGHT 6" OVAL REVERSE LED
3	0311503	LIGHT 6" OVAL GROMMET



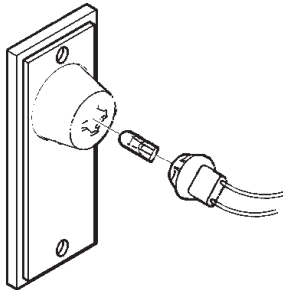
REF. NO.	PART NUMBER	DESCRIPTION
1	3011498	LIGHT 6" OVAL RED LED
2	0311500	LIGHT 6" OVAL REVERSE LED
3	0311503	LIGHT 6" OVAL GROMMET

Section VI - PARTS (cont'd)

LIGHT KIT



REF. NO.	PART NUMBER	DESCRIPTION
1	0308360	LED LIGHT, AMBER MARKER, RECTANGULAR (COMPLETE)
1	0308359	LED LIGHT, RED MARKER, RECTANGULAR (COMPLETE)

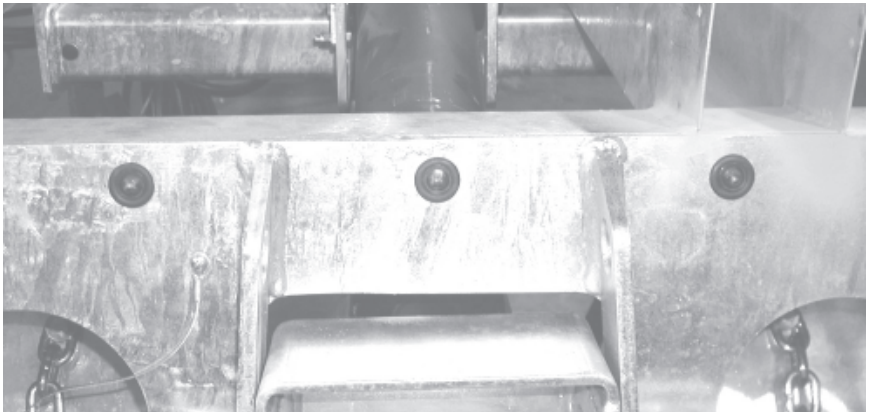


REF. NO.	PART NUMBER	DESCRIPTION
1	0308969A	LIGHT, AMBER MARKER, RECTANGULAR (COMPLETE)
	0308969R	LIGHT, RED MARKER, RECTANGULAR (COMPLETE)

Section VI - PARTS (cont'd) LIGHT KIT

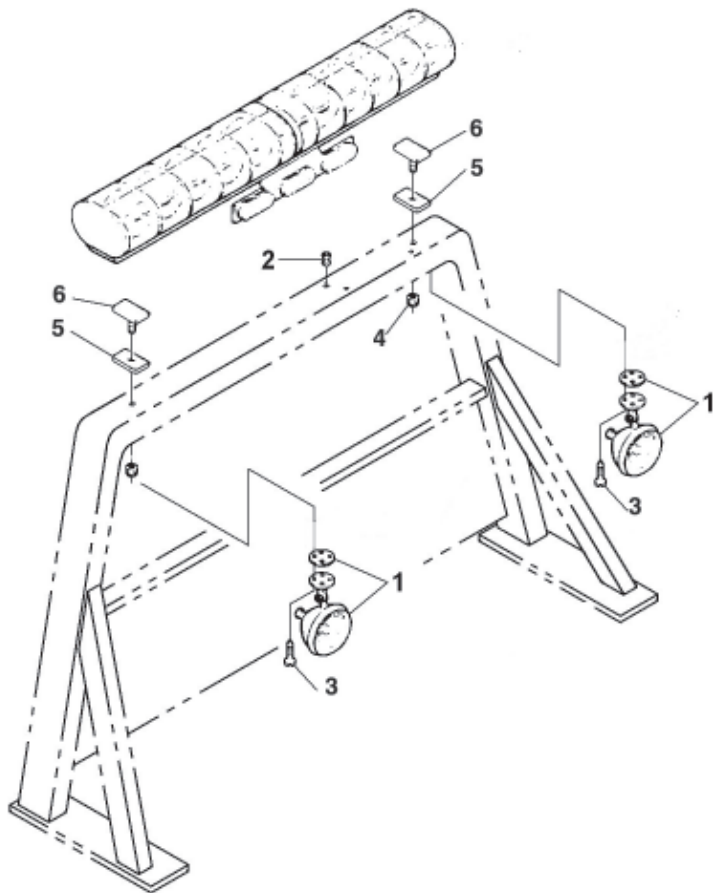


REF. NO.	PART NUMBER	DESCRIPTION
1	0311519	LIGHT 3/4" RED 3 PACK LED W/GROMMET



Section VI - PARTS (cont'd)

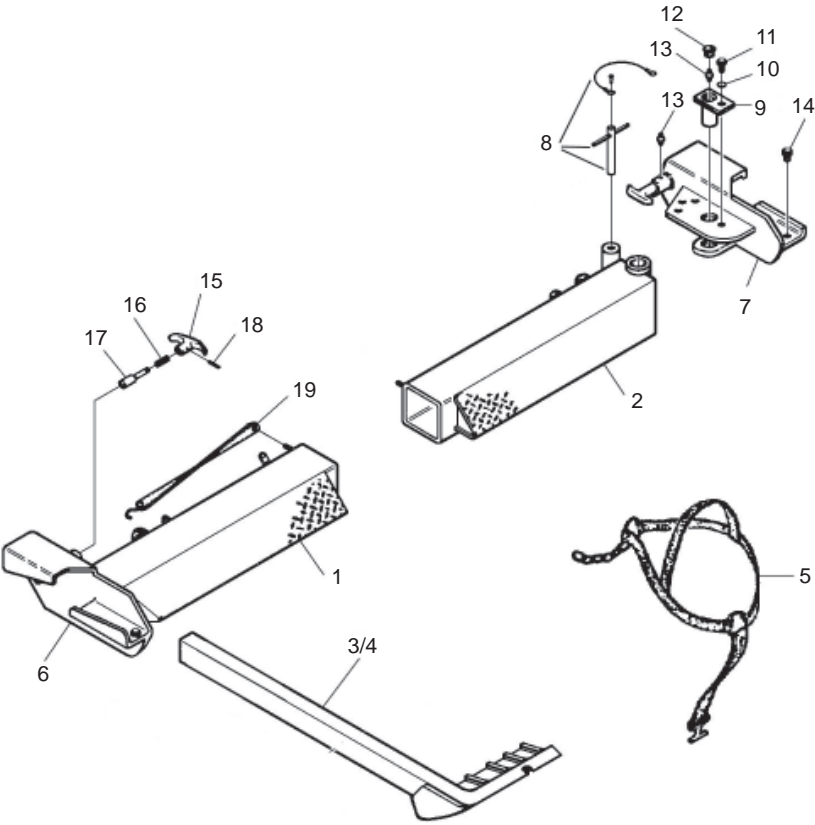
OPTIONAL LIGHTING ACCESSORIES



REF. NO.	NO. REQ'D	PART NUMBER	DESCRIPTION
1	2	124001001	SPOT LIGHT W/GASKET
2	2	0300897	GROMMET, RUBBER
3	8	0400043	#10-24 x 1" MACHINE SCREW
4	2	0400392	NUT, 3/8"-16 HEX NYLOK
5	2	0709872	RUBBER CUSHION
6	2	0801777	"T" BOLT ADAPTER

Section VI - PARTS (cont'd)

OPTIONAL OUTER CROSSTUBE & 3-WAY PIVOT TIRE RESTRAINT ASSEMBLY



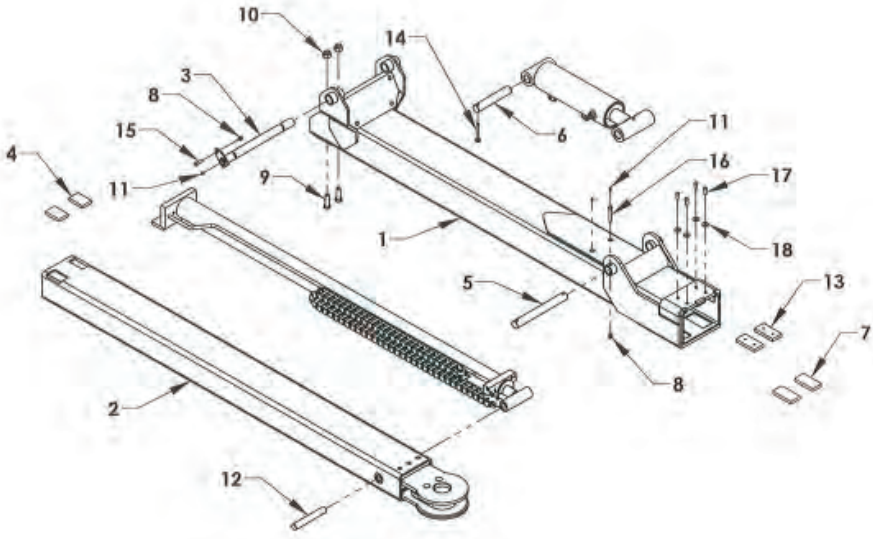
Section VI - PARTS (cont'd)

OPTIONAL OUTER CROSSTUBE & 3-WAY PIVOT TIRE RESTRAINT ASSEMBLY

REF. NO.	NO. REQ'D	PART NUMBER	DESCRIPTION
1	1	0909340	OUTER XTUBE ASSY. LH(PIVOT) (COMPLETE)
2	1	0909339	OUTER XTUBE ASSY. RH(PIVOT) (COMPLETE)
3	1	0803648	RESTRAINT TIRE, LH (PIVOT)
4	1	0803649	RESTRAINT TIRE, RH (PIVOT)
5	2	0902382	NYLON POLY-COAT STRAP (PIVOT)
6	1	0719079	END PL, LH (CSTG) PIVOT
7	1	0719080	END PL, RH (CSTG) PIVOT
8	2	0904744	PIN ASSEMBLY
9	2	0802187	PIN, PIVOT
10	2	0400483	3/8" INTERNAL TOOTH L/W Z
11	2	0400349	3/8-16 x 3/4" FLAT HD. CAP SCREW
12	2	0302640	PLUG, DRY-OUT HOLE
13	4	0300113	GREASE FITTING STRAIGHT
14	2	0712933	ALIGNMENT PIN
15	2	0302648	T HANDLE (ALUMINUM) ANGLE STYLE
16	2	0302641	SPRING, PIVOT
17	2	0707505	PIN, PLUNGER
18	2	0400560	5/32 x 1" TENSION PIN Z
19	2	0301956	TARP STRAP
-	2	0805022C	L-ARM STORAGE TUBE (BLACK) - NOT SHOWN
	2	0809148C	L-ARM STORAGE TUBE (GALV) - NOT SHOWN

Section V I- PARTS (cont'd)

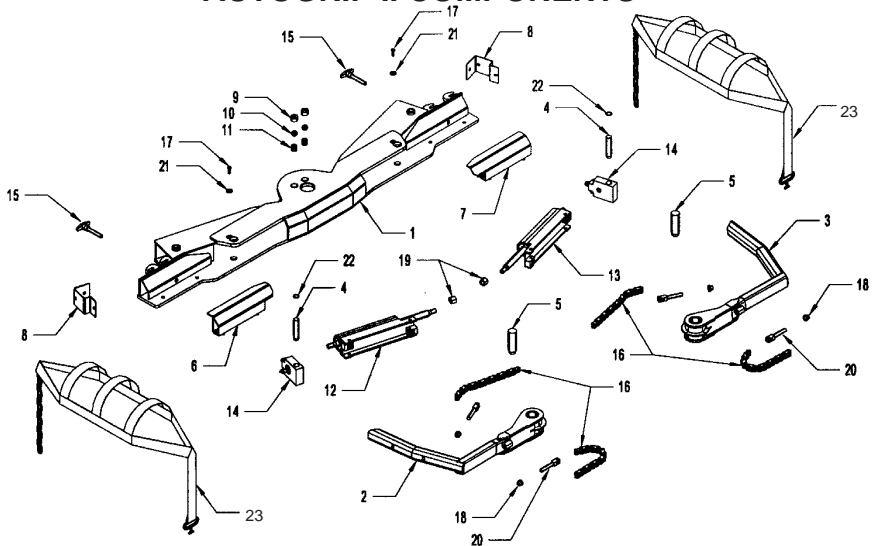
AUTOGRIP II COMPONENTS



REF NO.	NO REQ'D	PART NUMBER	DESCRIPTION
1	1	0809187	OUTER BOOM WELDMENT
2	1	0809186	INNER BOOM WELDMENT
3	1	0801009	WHEEL LIFT HINGE PIN
4	2	65612	BEARING PAD, NYLATRON
5	1	0750523	LOWER LIFT CYLINDER PIN (W/L)
6	1	0750562	UPPER LIFT CYLINDER PIN (W/L)
7	2	63595	BEARING PAD, NYLATRON
8	2	0400392	NUT, 3/8"-16 HEX NYLOK
9	2	0400274	5/8-11" x 2" HEX HD BOLT
10	2	0400421	NUT, 5/8-11" HEX NYLOCK
11	3	0300113	GREASE FITTING, STRAIGHT
12	1	72940	EXTEND CYLINDER MTG. PIN, 0.980" x 6-11/16"
13	2	63595H	BEARING PAD, NYLATRON
14	1	85680	ROD END KEEPER PIN
15	1	0400148	SCREW, 3/8"-16 x 1-1/4" HEX HD CAP
16	1	0400150	SCREW, 3/8"-16 x 2-1/2" HEX HD CAP
17	4	812A9	3/8" x 1 ROUND HEAD BOLT
18	4	0721632	3/8" FLAT WASHER

Section VI - PARTS (cont'd)

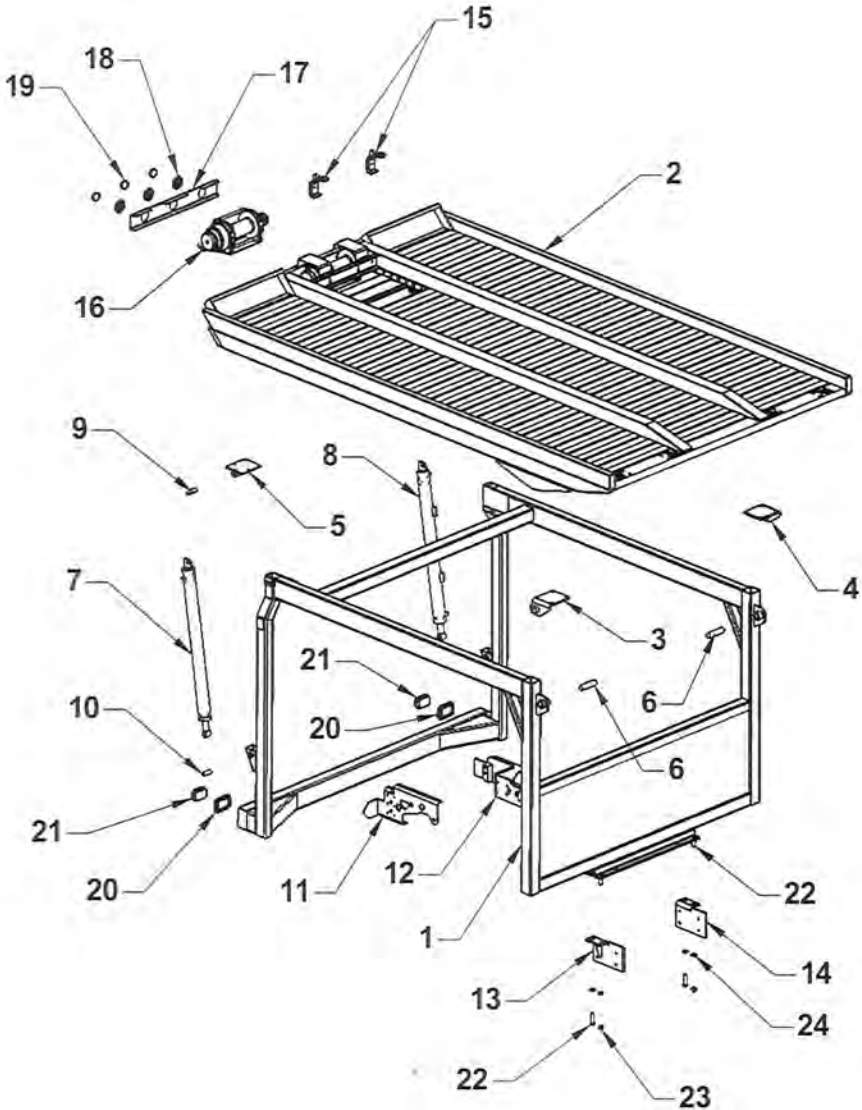
AUTOGRIP II COMPONENTS



REF NO.	NO REQ'D	PART NUMBER	DESCRIPTION
1	1	644002	CROSSBAR WELDMENT
2	1	644352CL	WHEEL RETAINER - LEFT
3	1	644352CR	WHEEL RETAINER - RIGHT
4	2	644432	WHEEL RETAINER CYLINDER PIN
5	2	644452	ARM PIVOT PIN
6	1	697402L	WHEEL SPACER - LEFT
7	1	697402R	WHEEL SPACER - RIGHT
8	2	644292	HOSE GUARD
9	2	64327	SCREW-PLUG CROSSBAR DETENT
10	1	644402	CROSSBAR PIN
11	1	862501	SNAP RING 2.500 INCH INTERNAL
12	1	720152L	WHEEL RETAINER CYLINDER - LEFT
13	1	720152R	WHEEL RETAINER CYLINDER - RIGHT
14	2	727162	L-ARM CYLINDER END BLOCK
15	2	84291	T-PIN 5/8 x 3
16	4	87440	AUTOGRIP ARM CHAIN
	4	81127	5/16 x 1-1/4 SHOULDER SHCS 1/4-20 UNC
	4	83105	1/4-20 UNC NYLON LOCK NUT
17	2	812A5	3/8 ALLEN BOLT
18	4	83411	5/8 NYLON LOCK NUT
19	2	83520	3/4 NYLON LOCK NUT
20	4	64441	CHAIN CLEVIS
	4	81126	5/16 x 1 SHOULDER SHCS 1/4-20 UNC
	4	83105	1/4-20 UNC NYLON LOCK NUT
21	2	82110	5/16 FLAT WASHER
22	2	861001	SNAP-RING 1.000 INCH INTERNAL
23	2	65286	BASKET TIRE STRAP - AUTO
	2	66287	BASKET TIRE STRAP - TRUCK

Section VI - PARTS (cont'd)

OPTIONAL CAB RACK ASSEMBLY



Section VI - PARTS (cont'd)

OPTIONAL CAB RACK ASSEMBLY

REF	PART #	DESCRIPTION	QPU
1	40104	FRAME-GM KODIAK, INTERNATIONAL 4900	1
	40105	FRAME-INTERNATIONAL 4400, KENWORTH FREIGHTLINER FL70	1
	40106	FRAME-FORD F750	1
2	41800	STEEL DECK-STANDARD	1
	41801	STEEL DECK-SETBACK	1
	41854	ALUMINUM DECK-STANDARD	1
	41855	ALUMINUM DECK-SETBACK	1
3	45165L	HINGE PLATE-LEFT	1
4	45165R	HINGE PLATE-RIGHT	1
5	451400	CYLINDER BRACKET	2
6	45120	HINGE PIN	2
7	72130L	LIFT CYLINDER-LEFT	1
8	72130R	LIFT CYLINDER-RIGHT	1
9	451404	CYLINDER PIN-TOP	2
10	43140	CYLINDER PIN-BOTTOM	2
11	4343101L	INT'L/FORD FRONT MOUNTING BRACKET-LEFT	1
	434300M2L	FREIGHTLINER M2 FRONT MTG BRACKET-LEFT	1
	434305KWL	KENWORTH FRONT MOUNTING BRACKET-LEFT	1
12	4343101R	INT'L/FORD FRONT MTG BRACKET-RIGHT	1
	434300M2R	FREIGHTLINER M2 FRONT MTG BRKT-RIGHT	1
	434305KWR	KENWORTH FRONT MOUNTING BRACKET-RIGHT	1
13	43250L	REAR MOUNTING BRACKET-LEFT GENERIC	1
	43250L2	REAR MGT BRKT-LEFT LARGE INT'L FUEL TANK	1
	43250M2L	REAR MOUNTING BRACKET-LEFT M2	1
14	43250R	REAR MOUNTING BRACKET-RIGHT GENERIC	1
	43250M2R	REAR MOUNTING BRACKET-RIGHT M2	1
15	43535	SAFETY CHAIN HOOK	2
16	71102	PLANETARY WINCH	1
	87141	WINCH CABLE 3/8 x 62 FT.	1
17	43510	ALUMINUM BEZEL	1
18	93150	GROMMET-MARKER LIGHT	3
19	93100A	MARKER LIGHT-AMBER	3
20	96550	GROMMET-TURN SIGNAL	2
21	98010	TURN SIGNAL-AMBER	2
22	81610	BOLT 3/4-10 UNC x 3 GRADE 5	4
23	83520	NYLON LOCK NUT 3/4-10 UNC	4
24	82510	FLAT WASHER 3/4	8