



OWNER'S MANUAL

MODEL 810 INTRUDER

INSTALLATION, OPERATION, MAINTENANCE & PARTS

**NOTE: MANUAL including SPECIFICATIONS, subject to change without notice
All ratings specified are based on structural factors only,
not vehicle capacities or capabilities.**



Miller Industries Towing Equipment Inc.
8503 Hilltop Drive
Ooltewah, Tennessee 37363
Phone (423) 238-7227 i FAX (423) 238-7237

FORM NO. 05001073
06 / 2000
PRICE \$25.00

LIMITED WARRANTY

MILLER INDUSTRIES TOWING EQUIPMENT INC., hereinafter referred to as MILLER, warrants to the original purchaser that each new MILLER wrecker or other MILLER products will be free from defects in material and workmanship for a period of twelve (12) months from date placed in service, but in no event shall such warranty period exceed twenty-four (24) months from date of manufacture by MILLER. The purchaser must promptly notify MILLER in writing of any failure in material or workmanship. In no event shall MILLER accept such notification later than twenty-four (24) months from date of delivery or twelve (12) months from date placed in service, whichever is earlier.

MILLER's obligation under this warranty, statutory or otherwise, is limited to the repair or replacement at the MILLER factory, or at a point designated by MILLER, of such part or parts as shall appear upon inspection by MILLER to be defective in material or workmanship. New or remanufactured parts will be used for any replacement at MILLER's option. This warranty is not transferable. This warranty does not obligate MILLER to bear the cost of labor or transportation charges in connection with the repair or replacement of any parts found to be defective, nor shall it apply to a product upon which repairs or alterations have been made unless authorized by MILLER.

EXCEPT AS EXPRESSLY SET FORTH IN THIS WARRANTY, MILLER MAKES NO OTHER WARRANTY, EXPRESS OR IMPLIED, AND HEREBY DISCLAIMS ALL OTHER WARRANTIES INCLUDING, BUT NOT LIMITED TO, THE IMPLIED WARRANTIES OF MERCHANTABILITY AND FITNESS FOR A PARTICULAR PURPOSE. MILLER shall in no event be liable for claimed downtime, claimed loss of profits or goodwill, or any other special, incidental, indirect, or consequential damages concerning or relating to any product or parts, whether based on negligence, strict liability, breach of contract, breach of warranty, misrepresentation or any other legal theory, regardless of whether the loss resulted from any general or particular requirement which MILLER knew or had reason to know about at the time of sale.

MILLER MAKES NO WARRANTY, EXPRESS OR IMPLIED, AS TO THE FINISHED PRODUCTS MANUFACTURED OR SUPPLIED BY ANOTHER MANUFACTURER AND SUPPLIED BY MILLER TO PURCHASER, including, but not limited to, any vehicle to which a MILLER product may be affixed or any accessories or wire rope, and MILLER EXPRESSLY DISCLAIMS ANY IMPLIED WARRANTIES OF MERCHANTABILITY OR FITNESS FOR A PARTICULAR PURPOSE AS TO SUCH EQUIPMENT OR PRODUCTS. This language shall in no way affect or diminish the rights of the purchaser to rely on such warranties as are extended by such manufacturers or suppliers. MILLER shall, to the extent permitted under applicable law, pass on to the purchaser such manufacturer's or seller's warranty.

MILLER, whose policy is one of continuous improvement, reserves the right to improve its products through changes in design or materials as it may deem desirable without being obligated to incorporate such changes in products previously sold. This warranty is not intended to cover or include the following items, which are set forth by way of example and not limitation:

- A. Normal deterioration of trim, paint, lettering, and appearance items due to wear or exposure to weather, road conditions, road treatments, etc.
- B. Any damage or defect due to accident, misuse, abuse, improper or unauthorized repairs, failure to provide reasonable and necessary maintenance, or uses for which the equipment was not designed or intended.
- C. Alterations or modifications that affect performance, operation or reliability.
- D. Normal maintenance parts including, but not limited to, wear pads, bushings, wire rope, mud flaps, fenderettes, light bulbs, hydraulic oil, filters, and tow sling belts.

IT IS EXPRESSLY UNDERSTOOD THAT MILLER MAKES NO IMPLIED WARRANTY THAT MILLER PRODUCTS SHALL BE FIT FOR THE PURPOSE OF LIFTING OR MOVING PEOPLE OR FOR ANY OTHER IMPROPER USE.



Miller Industries Towing Equipment Inc.
8503 Hilltop Drive
Ooltewah, Tennessee 37363

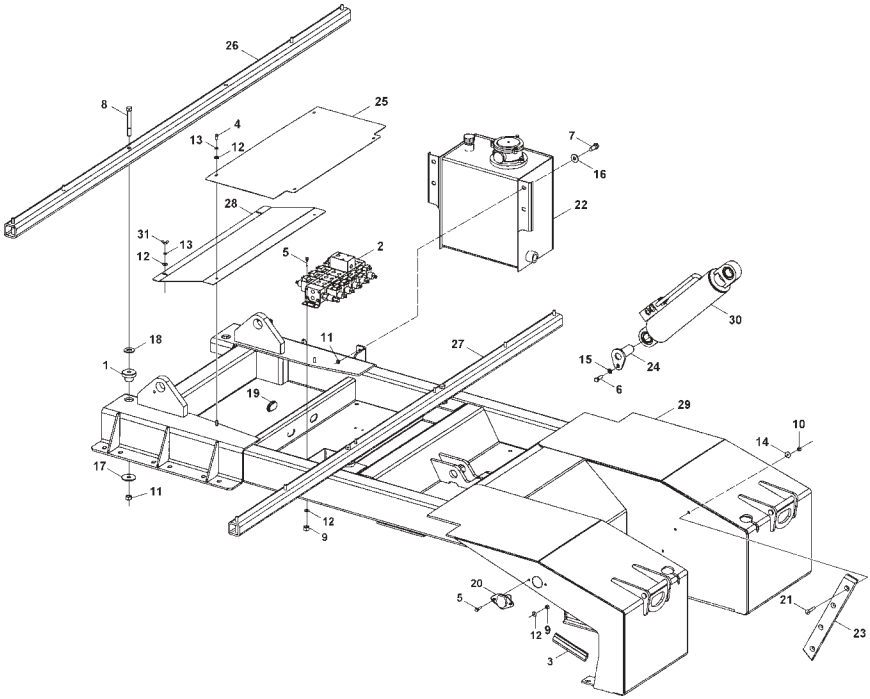
Telephone (423) 238-4171

SERIAL NUMBER

REPLACEMENT PARTS

REPLACEMENT PARTS (cont'd)

SUBFRAME ASSEMBLY



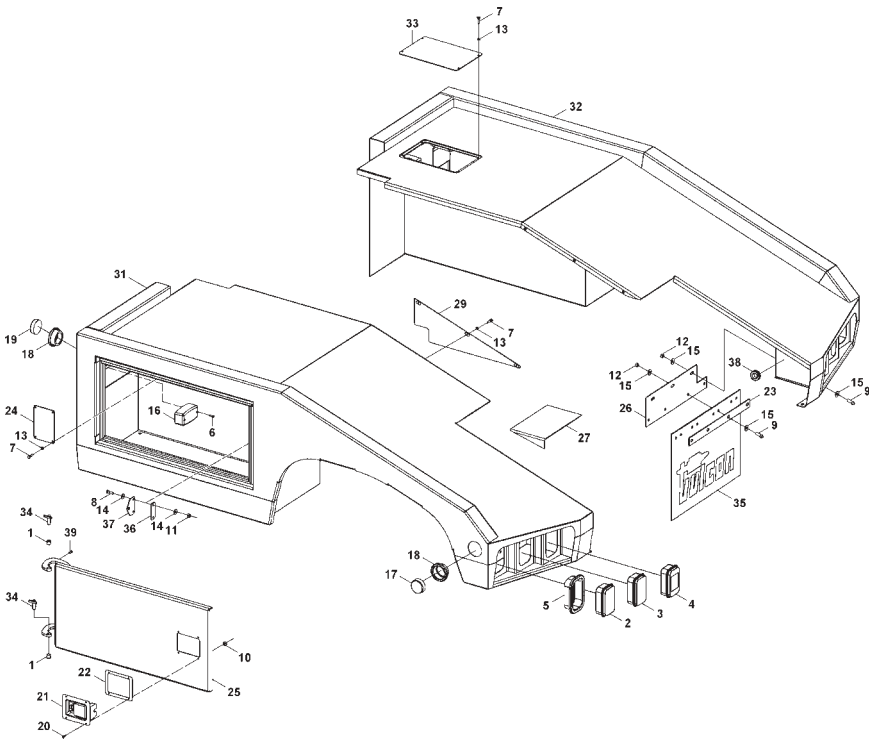
REPLACEMENT PARTS (cont'd)

SUBFRAME ASSEMBLY

ID NO	PART NO	DESCRIPTION	QTY
1	0306680	RUBBER TEE MOUNTS	4
2	0306776	VALVE, 5 SPOOL w/COUNTER BALANCE	1
3	0306780	SEALING TRIM	8 FT.
4	0400059	SCREW, 1/4"-20 X 5/8" HEX HD CAP	2
5	0400070	SCREW, 1/4"-20 X 1" HEX HD CAP	6
6	0400126	SCREW, 3/8"-16 X 1" HEX HD CAP	1
7	0400218	SCREW, 1/2"-13 X 1-1/4" HEX HD CAP	4
8	0400237	SCREW, 1/2"-13 X 4" HEX HD CAP	4
9	0400367	NUT, 1/4"-20 NYLOK HEX	6
10	0400382	NUT, 5/16"-18 NYLOK	8
11	0400408	NUT, 1/2"-13 NYLOK	8
12	0400451	WASHER, 1/4" FLAT	14
13	0400452	LOCKWASHER, 1/4"	8
14	0400463	WASHER, 5/16" FLAT	8
15	0400482	LOCKWASHER, 3/8"	1
16	0400492	WASHER, 1/2" FLAT	4
17	0400498	WASHER, 1/2" X 2" FLAT	4
18	0400510	WASHER, 3/4" FLAT	4
19	8603413	PLUG, DECK PLATE	4
20	9025031	TRAILER CONNECTOR PLUG, 4-PIN	1
21	9043973	SCREW, 5/16"-18 X 1-1/2" FL HD SKT	8
22	805031500	HYDRAULIC TANK ASSEMBLY	1
23	805040011	GUIDE PAD, VERTICAL BOOM	2
24	805351000	PIN WELDMENT, BOOM LIFT CYLINDER	1
25	810030004	COVER PLATE (REAR)	1
26	810030500	TOOL BOX MOUNTING (FRONT)	1
27	810031500	TOOL BOX MOUNTING (REAR)	1
28	810032000	WELDMENT, D.C.V. PANEL (FRONT)	1
29	810100000	WELDMENT, SUBFRAME	1
30	810710000	LIFT CYLINDER	1
31	HD1447	WING NUT, 1/4"-20	4

REPLACEMENT PARTS (cont'd)

BODY ASSEMBLY



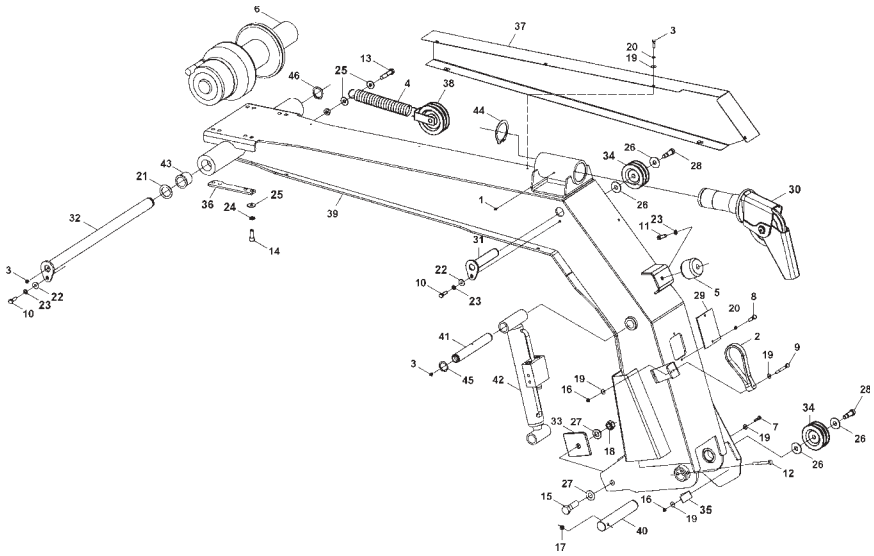
REPLACEMENT PARTS (cont'd)

BODY ASSEMBLY

ID NO	PART NO	DESCRIPTION	QTY
1	0303959	FLANGE BUSHING, 1/2" X 5/8" X 1/2"	4
2	0306682	MARKER LIGHT, CLEARANCE	2
3	0306683	TAIL LIGHT, STOP TURN	2
4	0306684	BACK UP LIGHT	2
5	0306685	GROMMET, TAIL LIGHT	6
6	0400046	SCREW, #10-3/4" PAN HD SELF TAPPING	4
7	0400070	SCREW, 1/4"-20 X 1"	18
8	0400109	SCREW, 5/16"-18 X 1"	4
9	0400122	SCREW, 3/8"-16 1-1/4"	14
10	0400357	NUT, #10-32 NYLOK	8
11	0400382	NUT, 5/16"-18 NYLOK	4
12	0400392	NUT, 3/8"-16 NYLOK	14
13	0400452	LOCKWASHER, 1/4"	18
14	0400463	WASHER, 5/16" FLAT	8
15	0400480	WASHER, 3/8" FLAT BS	28
16	9020549	DOME LIGHT, TOOL COMPARTMENT	2
17	9025116	MARKER LIGHT, CLEARANCE RED	2
18	9025117	GROMMET, ROUND LIGHT	4
19	9025119	MARKER LIGHT, CLEARANCE AMBER	2
20	9043827	SCREW, #10-32 X 5/8" PAN HD MACHINE	8
21	9048895	ROTARY LATCH	2
22	9049016	GASKET, ROTARY LATCH	2
23	804500001	BACK UP STRIP, MUD FLAP	2
24	805040005	COVER PLATE	2
25	806160600	WELDMENT, DOOR	1
26	810010001	BRACKET, MUD FLAP	2
27	810010004	SLOPING COVER, LH	1
28	810010005	SLOPING COVER, RH (NOT SHOWN)	1
29	810031100	WELDMENT LH, INSIDE SKIRT	1
30	810038100	WELDMENT RH, INSIDE SKIRT (NOT SHOWN)	1
31	810150000	WELDMENT LH, BODY	1
32	810157000	WELDMENT RH, BODY	1
33	880090007	COVER PLATE, HYDRAULIC TANK	1
34	890122300	WELDMENT, HINGE PIN	4
35	891000001	MUD FLAP	2
36	945400518	WASHER PLATE	2
37	945400800	WELDMENT, STRIKER PIN	2
38	GV57	RUBBER GROMMET	2
39	HD0499	SCREW, 1/4"-20 X 1/2" SKT HD CAP	4

REPLACEMENT PARTS (cont'd)

BOOM ASSEMBLY



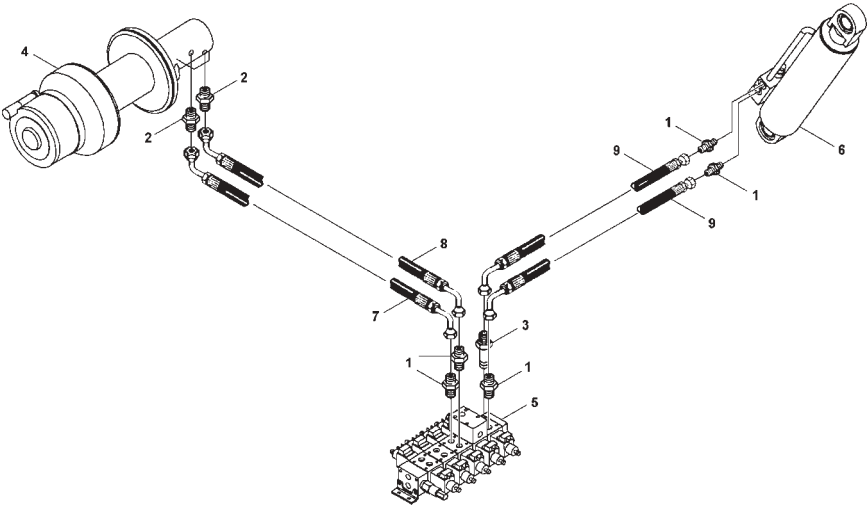
REPLACEMENT PARTS (cont'd)

BOOM ASSEMBLY

ID NO	PART NO	DESCRIPTION	QTY
1	0300113	GREASE FITTING, 1/4"-28	1
2	0301533	TIE DOWN STRAP, 15"	1
3	0301895	GREASE FITTING, 1/8" NPT	2
4	0303521	SPRING, HOSE TENSIONER	1
5	0306688	TIMBREN SPRING	1
6	0306691	WINCH, RAMSEY	1
7	0400057	SCREW, 1/4"-20 X 1-1/4" HEX HD CAP	2
8	0400070	SCREW, 1/4"-20 X 1" HEX HD CAP	7
9	0400078	SCREW, 1/4"-20 X 2" HEX HD CAP	1
10	0400122	SCREW, 3/8"-16 X 1-1/4" HEX HD CAP	2
11	0400126	SCREW, 3/8"-16 X 1" HEX HD CAP	1
12	0400133	SCREW, 3/8"-16 X 3" HEX HD CAP	1
13	0400185	SCREW, 1/2"-13 X 2-1/2" HEX HD CAP	1
14	0400196	SCREW, 1/2"-13 X 1-1/4" SKT HD	8
15	0400288	SCREW, 3/4"-10 X 2-1/2" HEX HD CAP	2
16	0400367	NUT, 1/4"-20 NYLOK	3
17	0400392	NUT, 3/8"-16 NYLOK	1
18	0400430	NUT, 3/4"-10 NYLOK	2
19	0400451	WASHER, 1/4" FLAT	11
20	0400452	LOCKWASHER, 1/4"	7
21	0400477	WASHER, SHIM 1-1/2" X .047	-
	0400478	WASHER, SHIM 1-1/2" X .062	-
	0400479	WASHER, SHIM 1-1/2" X .125	-
22	0400480	WASHER, 3/8" FLAT	2
23	0400482	LOCKWASHER, 3/8"	2
24	0400491	LOCKWASHER, 1/2"	8
25	0400492	WASHER, 1/2" FLAT	10
26	0400505	WASHER, 5/8" FLAT	4
27	0400510	WASHER, 3/4" FLAT	4
28	0400606	SHOULDER BOLT, 5/8" X 1-1/4"	2
29	0708519	COVER PLATE	1
30	805180000	SHEAVE ASSEMBLY	1
31	805351500	PIN WELDMENT, UPPER LIFT CYLINDER	1
32	806501500	BOOM PIVOT PIN WELDMENT	1
33	810040002	STOP, FOUR POSITION	2
34	810040004	SMALL SHEAVE, GROOVED	2
35	810040006	RETAINING ANGLE, HOSE	1
36	810040007	WINCH SPACER PLATE	2
37	810040600	TENSIONER COVER WELDMENT	1
38	840041500	TENSIONER BRACKET WELDMENT	1
39	810210000	MAIN BOOM ELEMENT	1
40	810350001	PIN, STINGER PIVOT	1
41	810350002	PIN, UPPER TILT CYLINDER	1
42	810700000	FOLD CYLINDER	1
43	9053713	BEARING, 1/2"-1/2" X 1-3/4" X 3/16" FLG	2
44	9055275	RETAINING RING, 2-3/4" EXTERNAL	1
45	9056125	RETAINING RING, 1-1/4" EXTERNAL HD	2
46	9056150	RETAINING RING, 1-1/2" EXTERNAL HD	1

REPLACEMENT PARTS (cont'd)

BOOM / WINCH HYDRAULICS



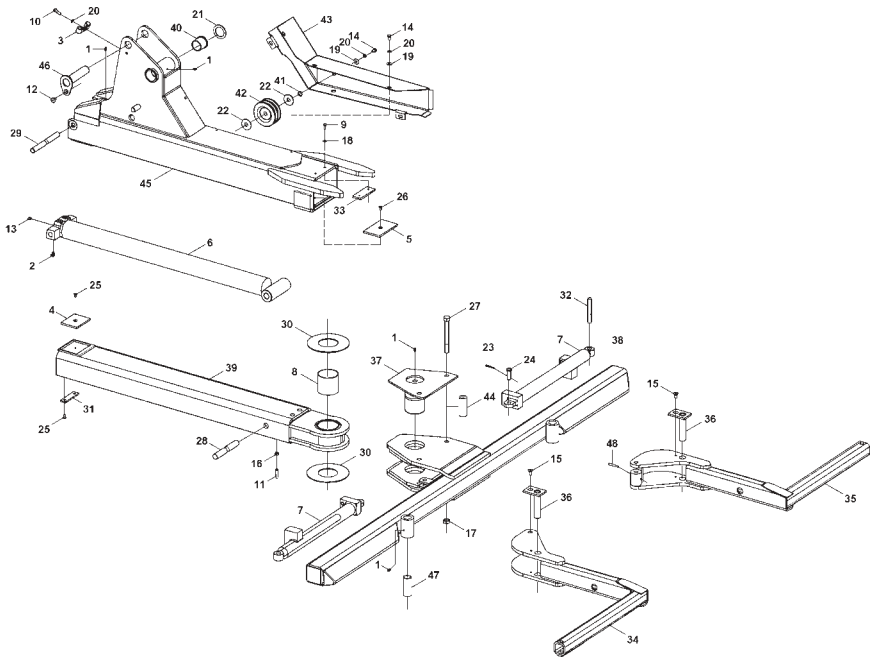
REPLACEMENT PARTS (cont'd)

BOOM / WINCH HYDRAULICS

ID NO	PART NO	DESCRIPTION	QTY
1	0301522	CONNECTOR, 6MJ-6MB	5
2	0301778	CONNECTOR, 6MJ-10MB	2
3	0302510	CONNECTOR, 6MJ-6MBL	1
4	0306691	WINCH, RAMSEY	1
5	0306776	VALVE, 5 SPOOL	1
6	810710000	LIFT CYLINDER	1
7	810770013	HOSE, 36"	1
8	810770014	HOSE, 36"	1
9	810770015	HOSE, 29"	2

REPLACEMENT PARTS (cont'd)

WHEEL LIFT ASSEMBLY



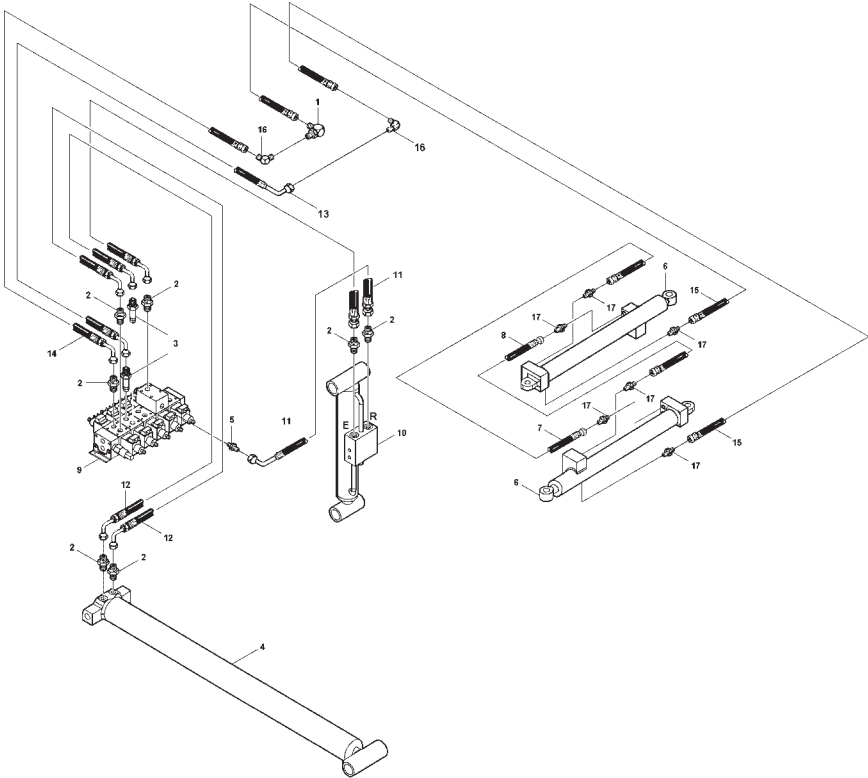
REPLACEMENT PARTS (cont'd)

WHEEL LIFT ASSEMBLY

ID NO	PART NO	DESCRIPTION	QTY
1	0300113	GREASE FITTING, 1/4"-28	5
2	0301397	NIPPLE, 1/4"-28 90°	2
3	0301601	INSULATED HOSE CLAMP	2
4	0301850	PAD, UPPER STINGER	1
5	0303018	PAD, LOWER STINGER	1
6	0303020	EXTEND CYLINDER, STINGER	1
7	0303844	CYLINDER, CLAW	2
8	0306748	PIVOT BEARING, CROSSBAR	1
9	0400059	SCREW, 1/4"-20 X 5/8" HEX HD CAP	2
10	0400109	SCREW, 5/16"-18 X 1" HEX HD CAP	1
11	0400139	SCREW, 3/8"-16 X 1-1/2" SET	1
12	0400152	SCREW, 3/8"-16 X 5/8" SKT HD SUNK	1
13	0400154	SCREW, 3/8"-16 X 1/2" SET	1
14	0400233	SCREW, 5/16"-18 X 1/2" HEX HD CAP	6
15	0400349	SCREW, 3/8"-16 X 3/4" FL HD SKT	2
16	0400398	NUT, 3/8"-16 NYLOK HALF	1
17	0400428	NUT, 5/8"-11 FLEXLOK	2
18	0400452	LOCKWASHER, 1/4"	2
19	0400463	WASHER, 5/16" FLAT	6
20	0400464	LOCKWASHER, 5/16	7
21	0400477	WASHER, SHIM 1-1/2" X .047	-
	0400478	WASHER, SHIM 1-1/2" X .062	-
	0400479	WASHER, SHIM 1-1/2" X .125	-
22	0400505	WASHER, 5/8" FLAT	2
23	0400546	COTTER PIN, 1/8" X 1-1/4"	2
24	0400590	CLEVIS PIN, 5/8" X 1-1/2"	2
25	0400593	SCREW, 1/4"-20 X 1/2" FLAT HD SKT	2
26	0400596	SCREW, 1/4"-20 X 1/2" SKT BUTTON HD	2
27	0400637	SCREW, 5/8"-11 X 5-1/2" HEX HD CAP	2
28	0702131	PIN, STINGER EXTEND CYL REAR MTG	1
29	0703345	PIN, STINGER EXTEND CYL FRONT MTG	1
30	0710092	THRUST WASHER	2
31	0711334	STOP PLATE, STINGER ASSEMBLY	1
32	0713885	PIN, CLAW CYLINDER ROD END	2
33	0715553	SPACER PLATE, STINGER ASSEMBLY	1
34	0803911	ARM WELDMENT, CROSSBAR ASSEMBLY L.H.	1
35	0803912	ARM WELDMENT, CROSSBAR ASSEMBLY R.H.	1
36	0803915	PIN WELDMENT, CLAW ARM PIVOT	2
37	0803916	STINGER PIVOT, PIN WELDMENT	1
38	0803917	CROSSBAR WELDMENT, EXPRESS LOAD	1
39	0803928	INNER STINGER WELDMENT	1
40	9053713	FLANGE BEARING, 3/16"	2
41	9055062	RETAINING RING, 5/8"	1
42	810040004	SMALL SHEAVE, GROOVED	1
43	810041000	HOSE COVER WELDMENT	1
48	810050001	SLEEVE	2
44	810300000	OUTER STINGER WELDMENT	1
45	810350500	PIN WELDMENT, LOWER TILT CYLINDER	1
46	E300002	PIVOT BEARING, CLAW ARMS	2
47	HD0106	ROLL PIN, 1/4" X 1-3/4"	2

REPLACEMENT PARTS (cont'd)

WHEEL LIFT HYDRAULICS



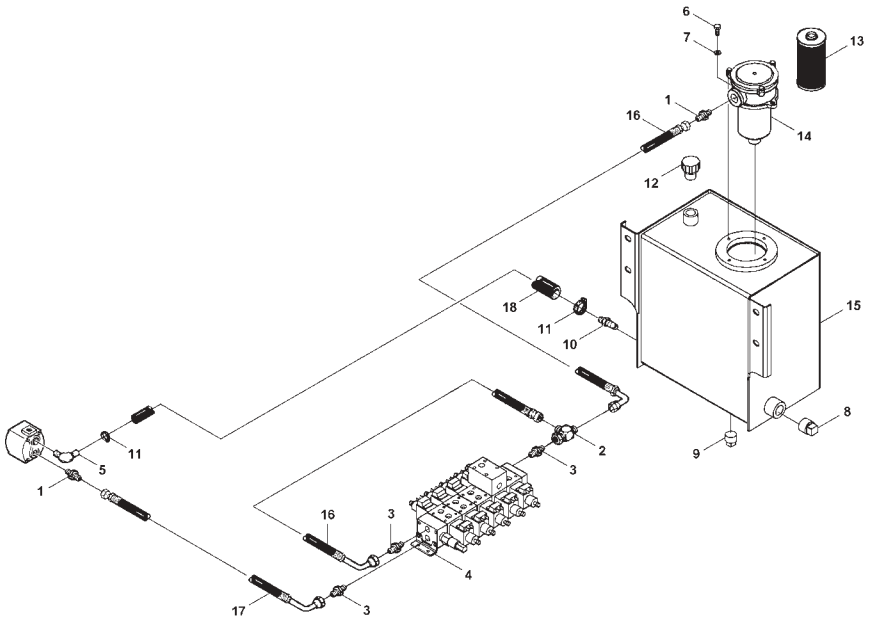
REPLACEMENT PARTS (cont'd)

WHEEL LIFT HYDRAULICS

ID NO	PART NO	DESCRIPTION	QTY
1	0031696	ELBOW, 6MJ-6FJX90	1
2	0301522	CONNECTOR, 6MJ-6MB	7
3	0302510	CONNECTOR, 6MJ-6MBL	2
4	0302030	CYLINDER	1
5	0303671	CONNECTOR, 6MJ-6MBR 1/32" ORFICE	1
6	0303844	CYLINDER, SWING L-ARM	2
7	0303860	HOSE, 10-3/4"	1
8	0303861	HOSE, 17"	1
9	0306776	VALVE, 5 SPOOL PARKER	1
10	810700000	FOLD CYLINDER	1
11	810770003	HOSE, 99"	2
12	810770005	HOSE, 132"	2
13	810770010	HOSE, 77"	1
14	810770011	HOSE, 77"	1
15	810770012	HOSE, 157"	2
16	FC41	ELBOW, 3/8" JIC 90° BULK HD	2
17	HC1291	CONNECTOR, 4MJ-4MB	6

REPLACEMENT PARTS (cont'd)

PRIMARY HYDRAULICS



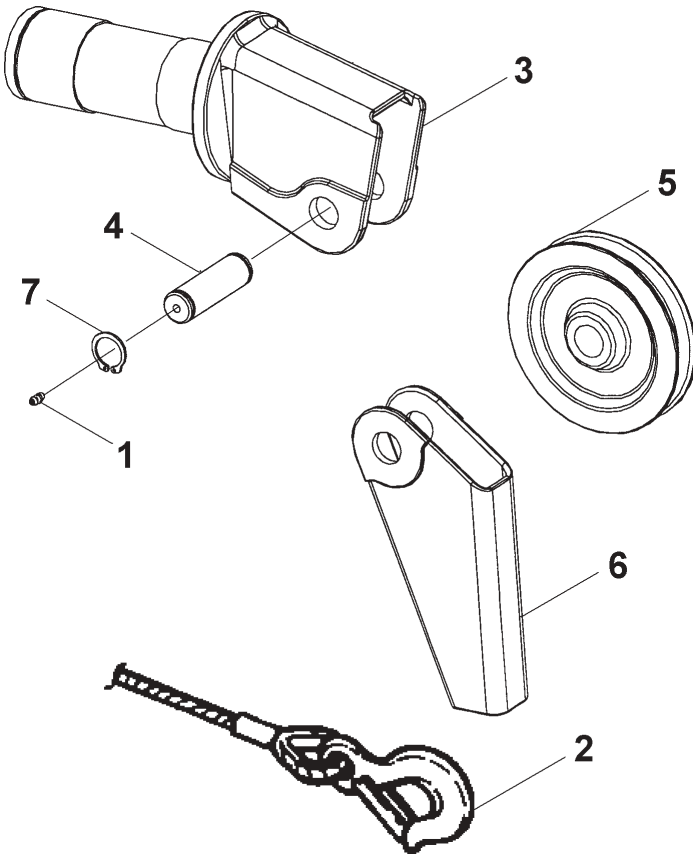
REPLACEMENT PARTS (cont'd)

PRIMARY HYDRAULICS

ID NO	PART NO	DESCRIPTION	QTY
1	0301881	CONNECTOR, 8MJ-12MP	1
2	0302052	RUN TEE, 8MJ-8FJX-8MJ	1
3	0302275	CONNECTOR, 8MJ-6MB	3
4	0306776	VALVE, 5-SPOOL PARKER	1
5	0306897	CONNECTOR, 1-1/4 X 1-1/4" 90°	1
6	0400113	SCREW, 5/16"-18 X 2-3/4" HEX HD CAP	2
7	0400464	LOCKWASHER, 5/16" HELICAL	2
8	9012839	PIPE PLUG	1
9	9012913	PIPE PLUG, 3/4" NPT	1
10	9012927	BARB, 1 NPT X 1/4"	1
11	9018092	HOSE CLAMP	2
12	9018131	BREATHER CAP	1
13	9018309	ELEMENT	1
14	9018399	FILTER ASSEMBLY w/ELEMENT	1
15	805031400	TANK WELDMENT	1
16	810770017	HOSE	2
17	810770018	MAIN PRESSURE HOSE	1
18	880010030	SUCTION HOSE, 120"	10 FT

REPLACEMENT PARTS (cont'd)

SWIVEL ASSEMBLY



ID NO	PART NO	DESCRIPTION	QTY
--	805180000	SWIVEL ASSEMBLY	--
1	0300113	GREASE FITTING, 1/4"-28	1
2	0302916	WINCH CABLE, 3/8" X 7'	1
3	804181500	SHEAVE HOUSING	1
4	805180001	PIN	1
5	805180002	SHEAVE	1
6	852060100	CABLE GUIDE	1
7	9056098	RETAINING RING, 1" HD	2



Miller Industries Towing Equipment Inc.
8503 Hilltop Drive | Ooltewah, Tennessee 37363 | (423) 238-7227
www.millerind.com