

CENTURY®

L E G E N D A R Y L E A D E R S H I P



OWNER'S MANUAL

MODULAR MIDNIGHT EXPRESS

PARTS

**NOTE: MANUAL including SPECIFICATIONS, subject to change without notice.
All ratings specified are based on structural factors only,
not vehicle capacities or capabilities.**

CENTURY®

Miller Industries Towing Equipment Inc.
8503 Hilltop Drive
Ooltewah, Tennessee 37363
Phone (423) 238-4171 • FAX (423) 238-5371

FORM NO. 0501690
03 / 2010
PRICE \$25.00

LIMITED WARRANTY

MILLER INDUSTRIES TOWING EQUIPMENT INC., hereinafter referred to as MILLER, warrants to the original purchaser that each new MILLER wrecker or other MILLER products will be free from defects in material and workmanship for a period of twelve (12) months from date placed in service, but in no event shall such warranty period exceed twenty-four (24) months from date of manufacture by MILLER. The purchaser must promptly notify MILLER in writing of any failure in material or workmanship. In no event shall MILLER accept such notification later than twenty-four (24) months from date of delivery or twelve (12) months from date placed in service, whichever is earlier.

MILLER's obligation under this warranty, statutory or otherwise, is limited to the repair or replacement at the MILLER factory, or at a point designated by MILLER, of such part or parts as shall appear upon inspection by MILLER to be defective in material or workmanship. New or remanufactured parts will be used for any replacement at MILLER's option. This warranty is not transferable. This warranty does not obligate MILLER to bear the cost of labor or transportation charges in connection with the repair or replacement of any parts found to be defective, nor shall it apply to a product upon which repairs or alterations have been made unless authorized by MILLER.

EXCEPT AS EXPRESSLY SET FORTH IN THIS WARRANTY, MILLER MAKES NO OTHER WARRANTY, EXPRESS OR IMPLIED, AND HEREBY DISCLAIMS ALL OTHER WARRANTIES INCLUDING, BUT NOT LIMITED TO, THE IMPLIED WARRANTIES OF MERCHANTABILITY AND FITNESS FOR A PARTICULAR PURPOSE. MILLER shall in no event be liable for claimed downtime, claimed loss of profits or goodwill, or any other special, incidental, indirect, or consequential damages concerning or relating to any product or parts, whether based on negligence, strict liability, breach of contract, breach of warranty, misrepresentation or any other legal theory, regardless of whether the loss resulted from any general or particular requirement which MILLER knew or had reason to know about at the time of sale.

MILLER MAKES NO WARRANTY, EXPRESS OR IMPLIED, AS TO THE FINISHED PRODUCTS MANUFACTURED OR SUPPLIED BY ANOTHER MANUFACTURER AND SUPPLIED BY MILLER TO PURCHASER, including, but not limited to, any vehicle to which a MILLER product may be affixed or any accessories or wire rope, and MILLER EXPRESSLY DISCLAIMS ANY IMPLIED WARRANTIES OF MERCHANTABILITY OR FITNESS FOR A PARTICULAR PURPOSE AS TO SUCH EQUIPMENT OR PRODUCTS. This language shall in no way affect or diminish the rights of the purchaser to rely on such warranties as are extended by such manufacturers or suppliers. MILLER shall, to the extent permitted under applicable law, pass on to the purchaser such manufacturer's or seller's warranty.

MILLER, whose policy is one of continuous improvement, reserves the right to improve its products through changes in design or materials as it may deem desirable without being obligated to incorporate such changes in products previously sold. This warranty is not intended to cover or include the following items, which are set forth by way of example and not limitation:

- A. Normal deterioration of trim, paint, lettering, and appearance items due to wear or exposure to weather, road conditions, road treatments, etc.
- B. Any damage or defect due to accident, misuse, abuse, improper or unauthorized repairs, failure to provide reasonable and necessary maintenance, or uses for which the equipment was not designed or intended.
- C. Alterations or modifications that affect performance, operation or reliability.
- D. Normal maintenance parts including, but not limited to, wear pads, bushings, wire rope, mud flaps, fenderettes, light bulbs, hydraulic oil, filters, and tow sling belts.

IT IS EXPRESSLY UNDERSTOOD THAT MILLER MAKES NO IMPLIED WARRANTY THAT MILLER PRODUCTS SHALL BE FIT FOR THE PURPOSE OF LIFTING OR MOVING PEOPLE OR FOR ANY OTHER IMPROPER USE.



Miller Industries Towing Equipment Inc.
8503 Hilltop Drive
Ooltewah, Tennessee 37363
Telephone (423) 238-4171

SERIAL NUMBER

OWNER, USER AND OPERATOR:

We appreciate your choice of our towing and recovery unit for your application. Our number one priority is user safety which is best achieved by our joint efforts. We feel that you can make a major contribution to safety if you, as the equipment owner and operator:

- 1. Comply with Federal, State, and Local Regulations.**
- 2. Read, Understand, and Follow the Instructions in this Manual.**
- 3. Use Good, Safe Work Practices in a Common Sense Way.**
- 4. Only have Authorized and Trained Personnel performing maintenance on the Towing and Recovery Unit.**

TABLE OF CONTENTS

It is assumed by the manufacturer that the Owner/Operator has a thorough knowledge of the accepted and lawful retrieval and towing methods as dictated by his city, county or state. The manufacturer rejects any liability claim that may result from the incorrect or unlawful application of its equipment.

Section I - PARTS

SUBFRAME ASSEMBLY	I-2 & I-3
BODY ASSEMBLY	I-4 & I-5
BOOM ASSEMBLY	I-6 & I-7
WHEEL LIFT BOOM ASSEMBLY	I-8 & I-9
CROSSBAR ASSEMBLY	I-10 & I-11
BOOM & WINCH HYDRAULICS	I-12 & I-13
WHEEL LIFT BOOM HYDRAULICS	I-14 & I-15
CLAW HYDRAULICS	I-16 & I-17
PUMP, VALVE & FILTER HYDRAULICS	I-18 & I-19
BOOM SWIVEL ASSEMBLY	I-20

Section VI - PARTS

This Section is provided by the manufacturer for the purpose of ordering any component part of the **Century Modular Midnight Express** that may be required when part replacement is necessary. Be certain to use only original equipment replacement parts for warranty purposes as well as for keeping your unit in its original state and optimum operating capacities.

When ordering replacement or spare parts be sure to provide the following information to the manufacturer's **Parts Department**.

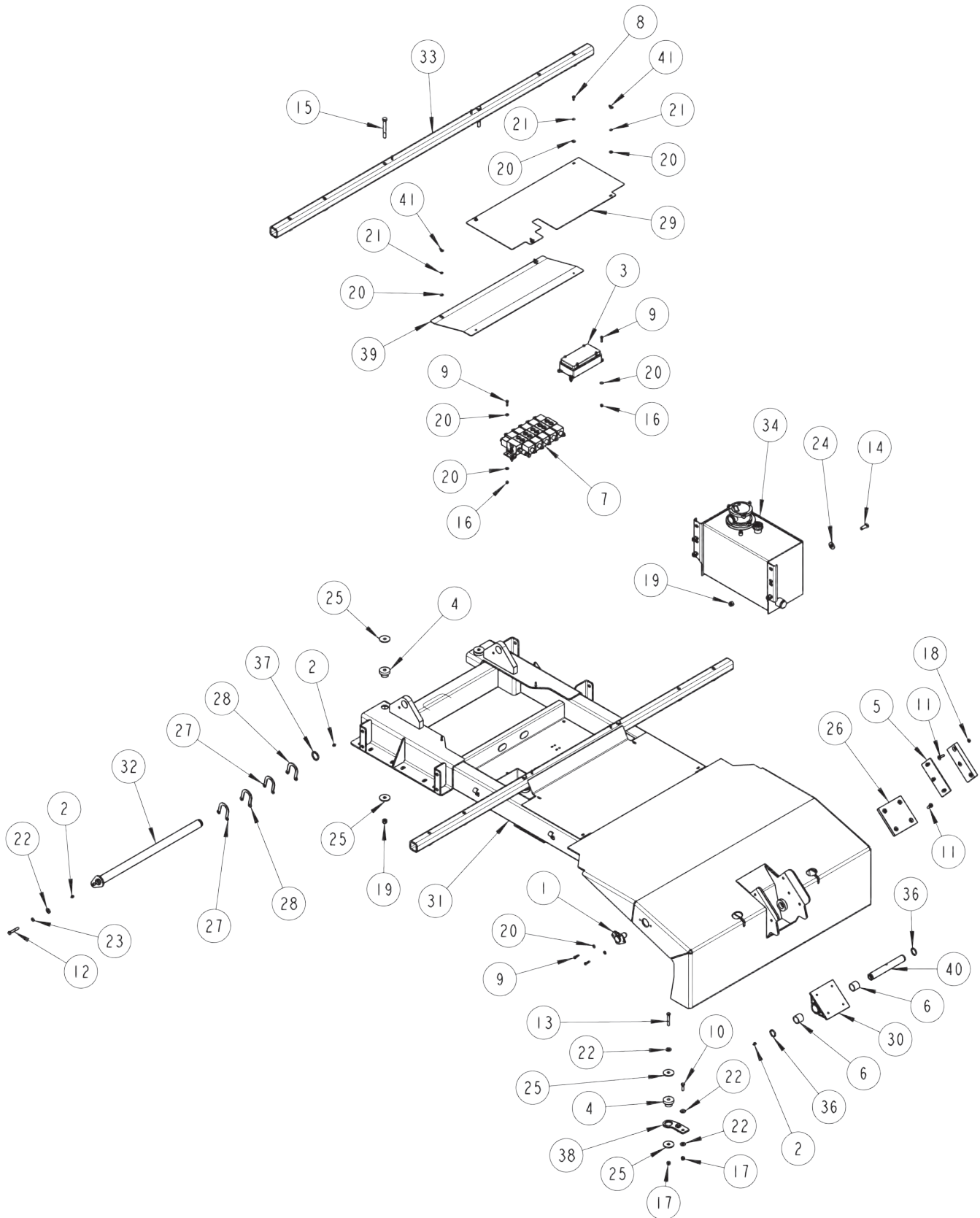
1. **Manual Number & Date of Publication**
2. **Manual Page Number**
3. **Page Title**
4. **Reference Number of Part Desired**
5. **Part Number**
6. **Part Description**
7. **Quantity of Part Desired**

Providing this information will help ensure that the correct parts will be delivered to you in an expedient manner without delay. Should additional information be required for repair or replacement of certain components, contact your Wrecker Manufacturer Authorized Representative.

The Manufacturer reserves the right, without notice or obligation, to improve or modify their products, which may change the specifications, models and feature availability.

Section I - PARTS (cont'd)

SUBFRAME ASSEMBLY



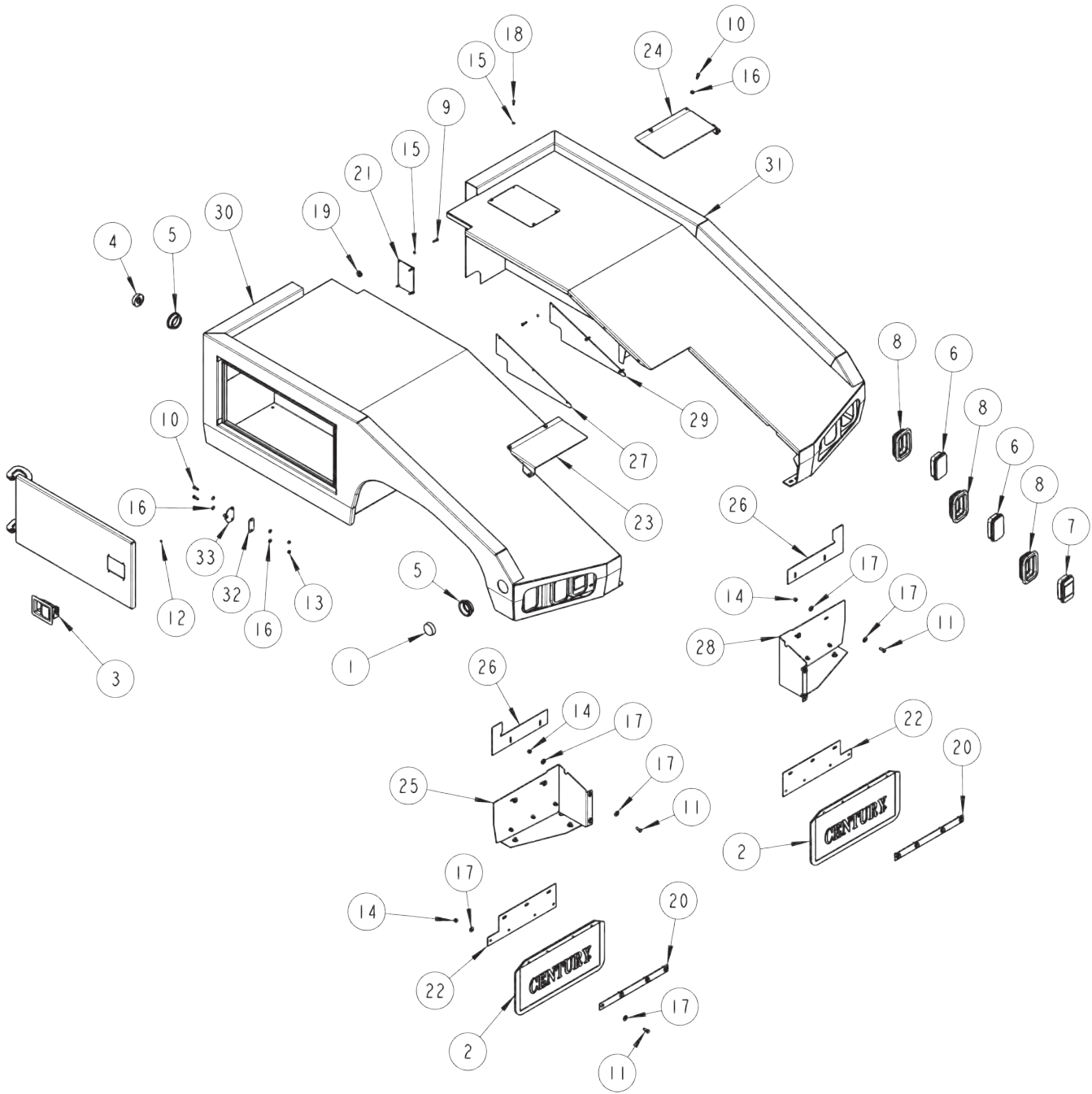
Section I - PARTS (cont'd)

SUBFRAME ASSEMBLY

ITEM	PART NUMBER	DESCRIPTION	QTY
1	0301671	TOW SOCKET	1
2	0301895	GREASE FITTING, 1/8 NPT STRAIGHT	3
3	0303385	JUNCTION BOX	1
4	0306680	RUBBER "T" MOUNTS	6
5	0307043	SLIDE PAD - MIDNIGHT SIDE	2
6	0307085	BUSHING - ALUMINUM BRONZE	2
7	0307088	VALVE 5-SPOOL PARKER DIR. CONTROL	1
8	0400059	1/4-20 X 5/8 HHCS GR 5 ZP	2
9	0400070	1/4-20 X 1 HHCS GR5 ZP	8
10	0400122	3/8-16 X 1 1/4 HHCS GR.5, ZP	4
11	0400128	3/8-16X1.25 FLAT HD SOC	10
12	0400146	3/8-16 X 2-1/4 HHCS GR.5 ZP	1
13	0400150	3/8-16 X 2-1/2 HHCS GR5 ZP	2
14	0400177	1/2-13 X 1 1/4 HHCS GR. 5, ZP	4
15	0400237	1/2-13 X 4 HHCS GR 5 ZP	4
16	0400367	1/4-20 NYLOCK HEX NUT ZP	8
17	0400392	3/8-16 NYLOCK HEX NUT ZP	7
18	0400398	3/8-16 NYLOCK HALF-NUT ZP	6
19	0400408	1/2-13 NYLOCK HEX NUT ZP	8
20	0400451	1/4 FLAT WASHER ZP	18
21	0400452	1/4 HELICAL LOCK WASHER ZP	6
22	0400480	3/8 FLAT WASHER ZP	11
23	0400482	3/8 HELICAL LOCK WASHER ZP	1
24	0400492	1/2 FLAT WASHER ZP	4
25	0400498	WASHER, 1/2' ID X 2" OD X .150	12
26	0715840	SLIDE PAD - BOOM SLIDE	1
27	0719519	SHIM - BOOM PIVOT (.0747 THICK)	2
28	0719520	SHIM- BOOM PIVOT (.1196 THK)	2
29	0723146	D.C.V. REAR PANEL	1
30	0805917	BRACKET - MIDNIGHT SLIDE/PIVOT	1
31	0806774	SUBFRAME WELDMENT MIDNIGHT	1
32	0807183	BOOM PIVOT PIN WELDMENT	1
33	0807232	FRONT BODY MTG.TUBE WELD'T	2
34	0910008	HYDRAULIC TANK ASSEMBLY	1
35	8603413	DECK PLATE PLUG	4
36	9056125	SNAP RING - 1-1/4" HEAVY DUTY	2
37	9056150	RETAINING RING, 1-1/2"	1
38	810030005	BODY REAR MTG. PLATE- (T MTG.)	2
39	810032000	D.C.V. FRONT PANEL WELD'T	1
40	810350002	PIN, UPPER TILT CYLINDER	1
41	HD1447	1/4 - 20 WING NUT ZP	4

Section I - PARTS (cont'd)

BODY ASSEMBLY



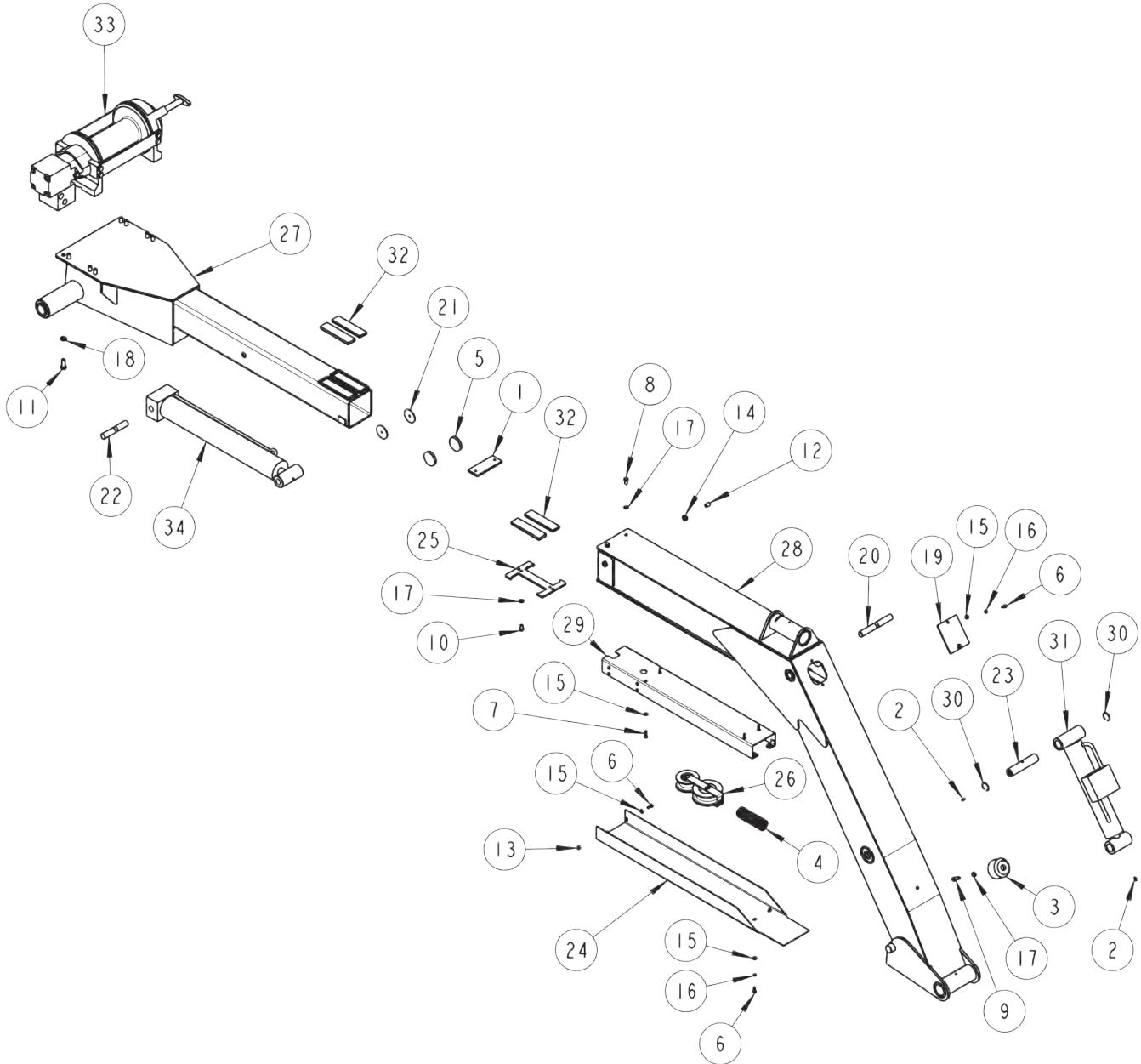
Section I - PARTS (cont'd)

BODY ASSEMBLY

ITEM	PART NUMBER	DESCRIPTION	QTY
1	0301741	MARKER LAMP, RED 2-1/2" ROUND	2
2	0302173	MUD FLAP	2
3	0303120	PADDLE LATCH W/GASKET	2
4	0303126	LIGHT, MARKER AMBER	2
5	0303127	GROMMET, MARKER LIGHT	4
6	0306683	TAIL LIGHT / STOP-TURN	4
7	0306684	LIGHT, BACKUP	2
8	0306685	GROMMET, LED LIGHT 45 STT	6
9	0400070	1/4-20 X 1 HHCS GR5 ZP	14
10	0400109	5/16-18 X 1 HHCS GR.5,ZP	10
11	0400126	3/8-16 X 1 HHCS GR.5,ZP	26
12	0400351	#8-32 HEX NUT W/ STAR WASHER, ZP	8
13	0400381	5/16-18 HEX NUT ZP	4
14	0400392	3/8-16 NYLOCK HEX NUT ZP	26
15	0400452	1/4 HELICAL LOCK WASHER ZP	18
16	0400463	5/16 FLAT WASHER ZP	14
17	0400480	3/8 FLAT WASHER ZP	46
18	0402020	1/4-20 X 3/4 HHCS SS	4
19	9032053	GROMMET	2
20	804500001	MUD FLAP BACK-UP STRIP	2
21	805040005	COVER PLATE- BOOM END	2
22	810010001	BRACKET-MUD FLAP	2
23	810010006	PANEL- LH REAR SLOPE	1
24	810017006	PANEL- RH REAR SLOPE	1
25	810030015	PANEL - LT LIGHT COVER	1
26	810030016	PLATE - GUARD FILLER (SS)	2
27	810031100	LH INSIDE SKIRT WELD'T	1
28	810037015	S.S. PANEL- RH LIGHT COVER	1
29	810038100	RH INSIDE SKIRT WELD'T	1
30	810150000	LT BOX WELDMENT - 810	1
31	810157000	RH BOX WELDMENT - 810	1
32	945400518	WASHER PLATE	2
33	945400800	STRIKER PIN WELD'T	2

Section I - PARTS (cont'd)

BOOM ASSEMBLY



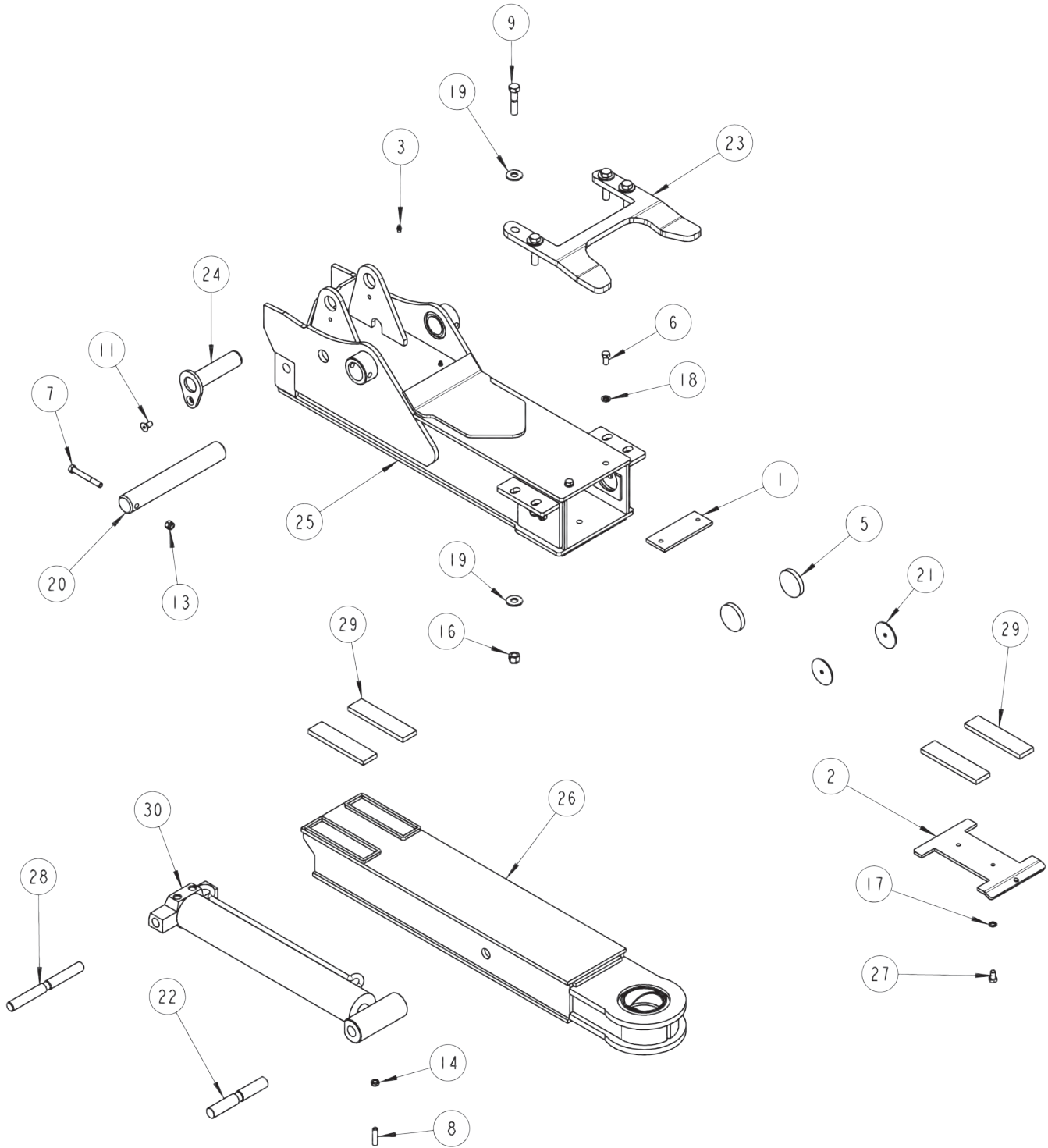
Section I - PARTS (cont'd)

BOOM ASSEMBLY

ITEM	PART NUMBER	DESCRIPTION	QTY
1	3012-794003	BAR - SPACER	1
2	0300113	GREASE FITTING, 1/4-28 STRAIGHT	3
3	0306688	TIMBREN SPRING	1
4	0306816	SPRING - HOSE TENSIONER	1
5	0306819	PAD, SLIDE	2
6	0400066	1/4-20 X 3/4 HHCS GR.5,ZP	6
7	0400070	1/4-20 X 1 HHCS GR5 ZP	4
8	0400121	3/8-16NC X 3/4 HHCS GR. B	2
9	0400122	3/8-16 X 1 1/4 HHCS GR.5,ZP	1
10	0400147	3/8-24X 5/8 HHCS GR5 ZP	2
11	0400177	1/2-13 X 1 1/4 HHCS GR. 5, ZP	8
12	0400204	1/2-13X3/4 SKT HD SET	2
13	0400367	1/4-20 NYLOCK HEX NUT ZP	1
14	0400410	NUT, 1/2"-13 HEX JAM ZP	2
15	0400451	1/4 FLAT WASHER ZP	9
16	0400452	1/4 HELICAL LOCK WASHER ZP	5
17	0400482	3/8 HELICAL LOCK WASHER ZP	5
18	0400491	1/2 HELICAL LOCK WASHER ZP	8
19	0708519	PLATE, ACCESS COVER	1
20	0714169	SHAFT, INNER TUBE CYLINDER	1
21	0717674	SHIM - PAD SPACER	2
22	0717981	SHAFT- INNER TUBE CYLINDER	1
23	0718120	PIN - FOLD CYLINDER	1
24	0718825	COVER - HOSE TRACK	1
25	0718826	PLATE - PAD CAGE	1
26	0804425	HOSE PULLEY WLDT	1
27	0807001	MAIN INNER BOOM WELD'T	1
28	0807002	BOOM/TOWER- OUTER MAIN	1
29	0807003	CHANNEL WLDT - HOSE TRACK	1
30	9057125	SNAP RING, 1-1/4" NOM INTERNAL	2
31	810730000	CYLINDER HYDRAULIC FOLD	1
32	896040002	NYLATRON PAD	4
33	0303273	RAMSEY RTR8000	1
34	0306658	CYLINDER BOOM ELEVATION	1

Section I - PARTS (cont'd)

WHEEL LIFT BOOM ASSEMBLY



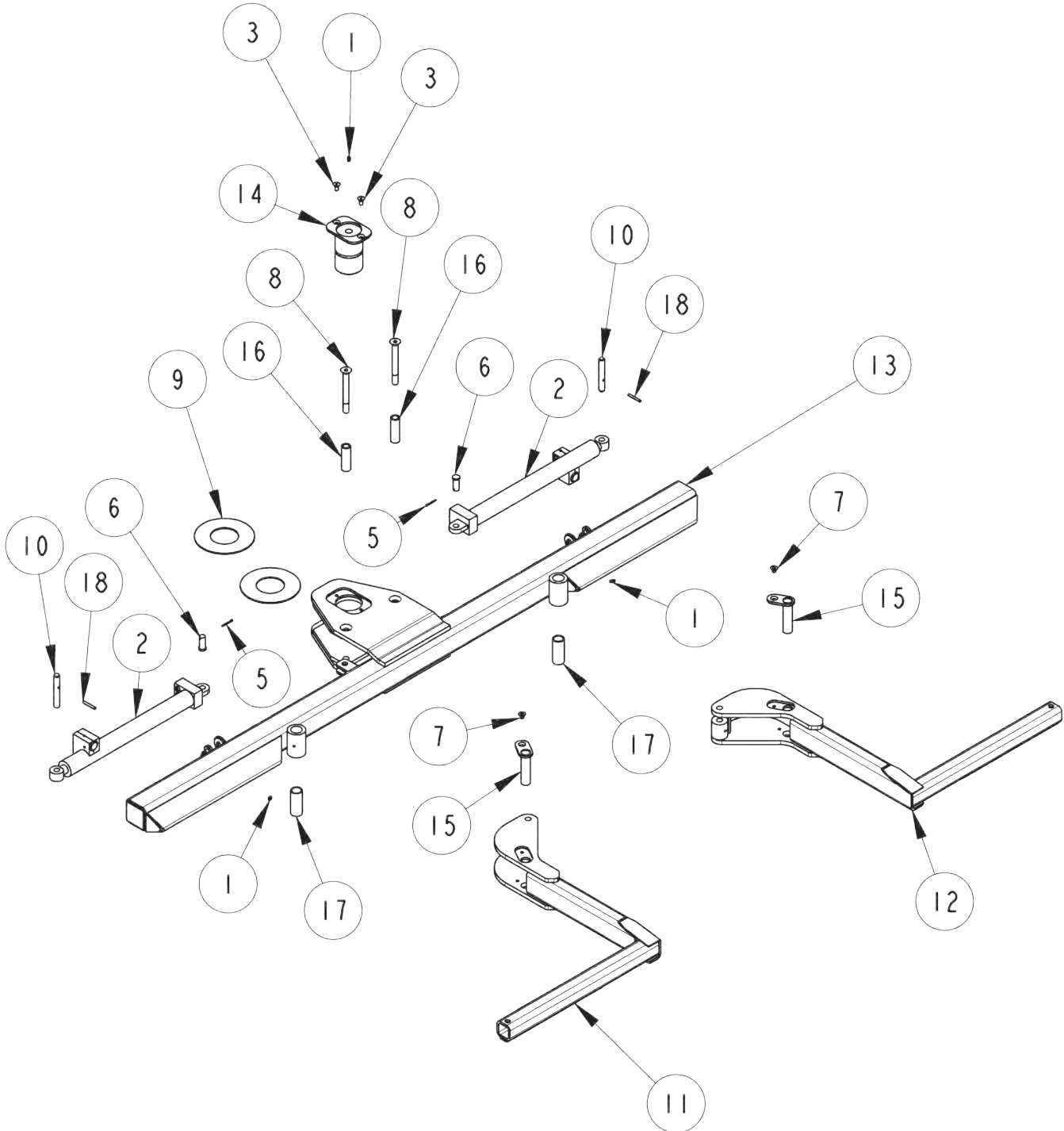
Section I - PARTS (cont'd)

WHEEL LIFT BOOM ASSEMBLY

ITEM	PART NUMBER	DESCRIPTION	QTY
1	3012-794003	BAR - SPACER	1
2	3012-794004	PLATE - UL PAD CAGE	1
3	0300113	GREASE FITTING, 1/4-28 STRAIGHT	2
4	0301895	GREASE FITTING, 1/8 NPT STRAIGHT	1
5	0306819	PAD, SLIDE	2
6	0400121	3/8-16NC X 3/4 HHCS GR. B	2
7	0400133	3/8-16 X 3 HHCS GR.5,ZP	1
8	0400139	SCREW, 3/8"-16 X 1-1/2" HEX SKT SET	1
9	0400184	1/2-13 X 2-1/4 HHCS GR 8 ZP	4
10	0400204	1/2-13X3/4 SKT HD SET	2
11	0400349	SCREW, 3/8"-16 X 3/4" FL HD SKT	1
12	0400353	3/8 X 1/2 SET SCREW W/PATCH	1
13	0400392	3/8-16 NYLOCK HEX NUT ZP	1
14	0400398	3/8-16 NYLOCK HALF-NUT ZP	1
15	0400410	NUT, 1/2"-13 HEX JAM ZP	2
16	0400416	1/2-13 NYLOCK HEX NUT GR.8, ZP	4
17	0400481	LOCKWASHER, 3/8" EXT TOOTH	2
18	0400482	3/8 HELICAL LOCK WASHER ZP	2
19	0400497	1/2 FLAT WASHER GR.8,YZ PLATED	8
20	0717069	PIN - MIDNIGHT U/L	1
21	0717674	SHIM - PAD SPACER	2
22	0718216	SHAFT- INNER TUBE CYLINDER	1
23	0718217	PLATE - XBAR POSITIONING	1
24	0806778	PIN WELD,T LOWER TITL CYLINDER	1
25	0807069	BOOM- OUTER W/L	1
26	0807070	BOOM INNER STINGER WLM'T	1
27	9041202	3/8-16 X 5/8 PL GR8	2
28	807500001	PIN - EXTEND	1
29	896040002	NYLATRON PAD	4
30	0306660	CYLINDER W/L EXTEND EXPRESS	1

Section I - PARTS (cont'd)

CROSSBAR ASSEMBLY



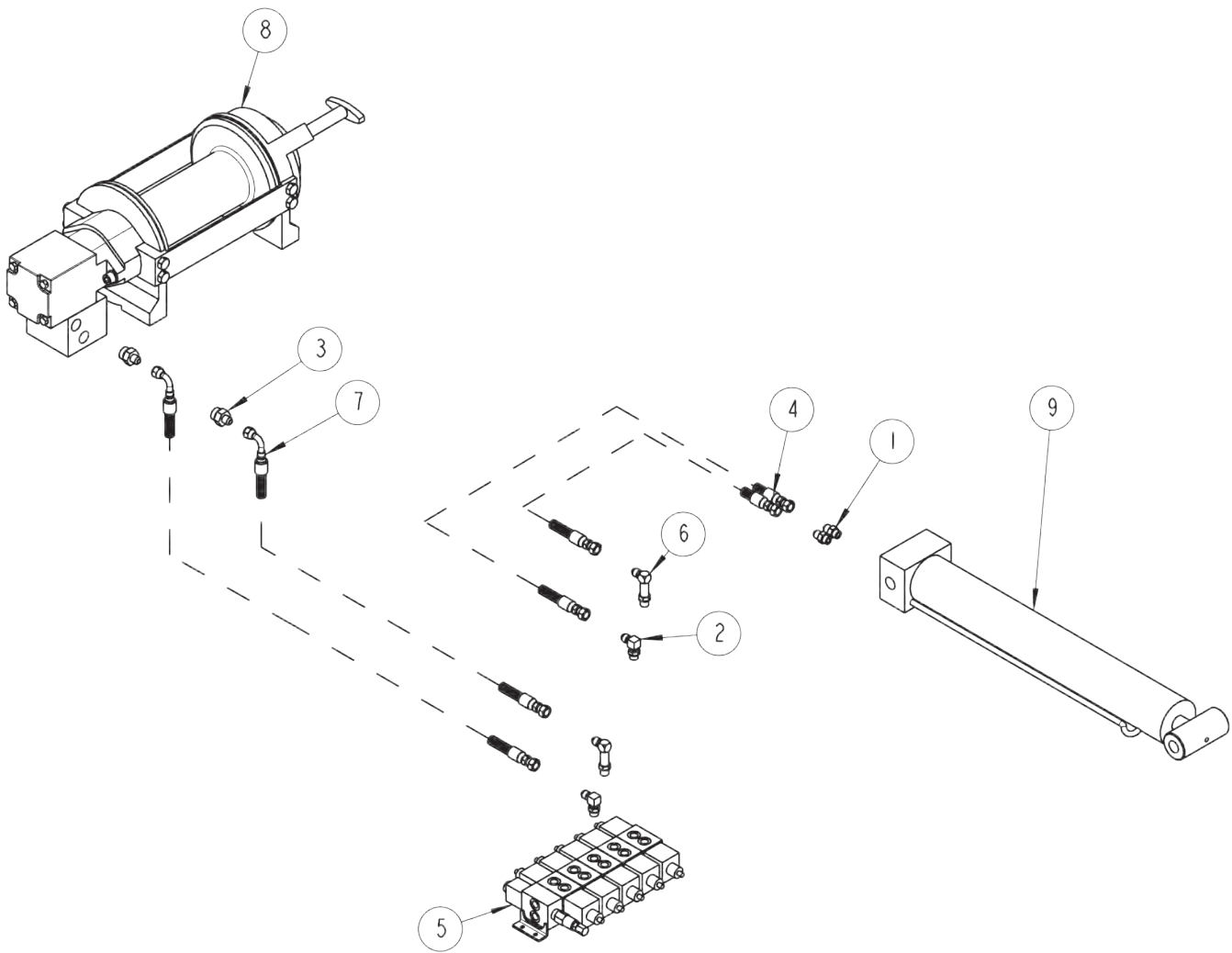
Section I - PARTS (cont'd)

CROSSBAR ASSEMBLY

ITEM	PART NUMBER	DESCRIPTION	QTY
1	0300113	GREASE FITTING, 1/4-28 STRAIGHT	3
2	0303844	CYLINDER, SWING L-ARM	2
3	0400349	SCREW, 3/8"-16 X 3/4" FL HD SKT	2
4	0400428	5/8-11 FLEXLOC THIN HIGH	2
5	0400546	COTTER PIN, 1/8" X 1-1/4"	2
6	0400590	CLEVIS PIN	2
7	0400667	3/8-16X1/2 FLT SOC HD THREAD LOCK	2
8	0401006	3/8"-16 X 1" FL HD SKT CAP SCREW	2
9	0710092	THRUST WASHER	2
10	0713885	PIN - CYLINDER (L-ARM END)	2
11	0806978	LEFT L ARM WLDT	1
12	0806979	RIGHT L-ARM WLDT	1
13	0806980	CROSSBAR WELDMENT	1
14	0806981	PIN PIVOT WLDT-XBAR	1
15	0806982	PIN L ARM PIVOT	2
16	810050001	SLEEVE CROSSBAR ASSEMBLY	2
17	E300002	BEARING - CLAW PIVOT	2
18	HD0106	1/4 X 1-3/4 ROLL PIN ZP	2

Section I - PARTS (cont'd)

BOOM & WINCH HYDRAULICS



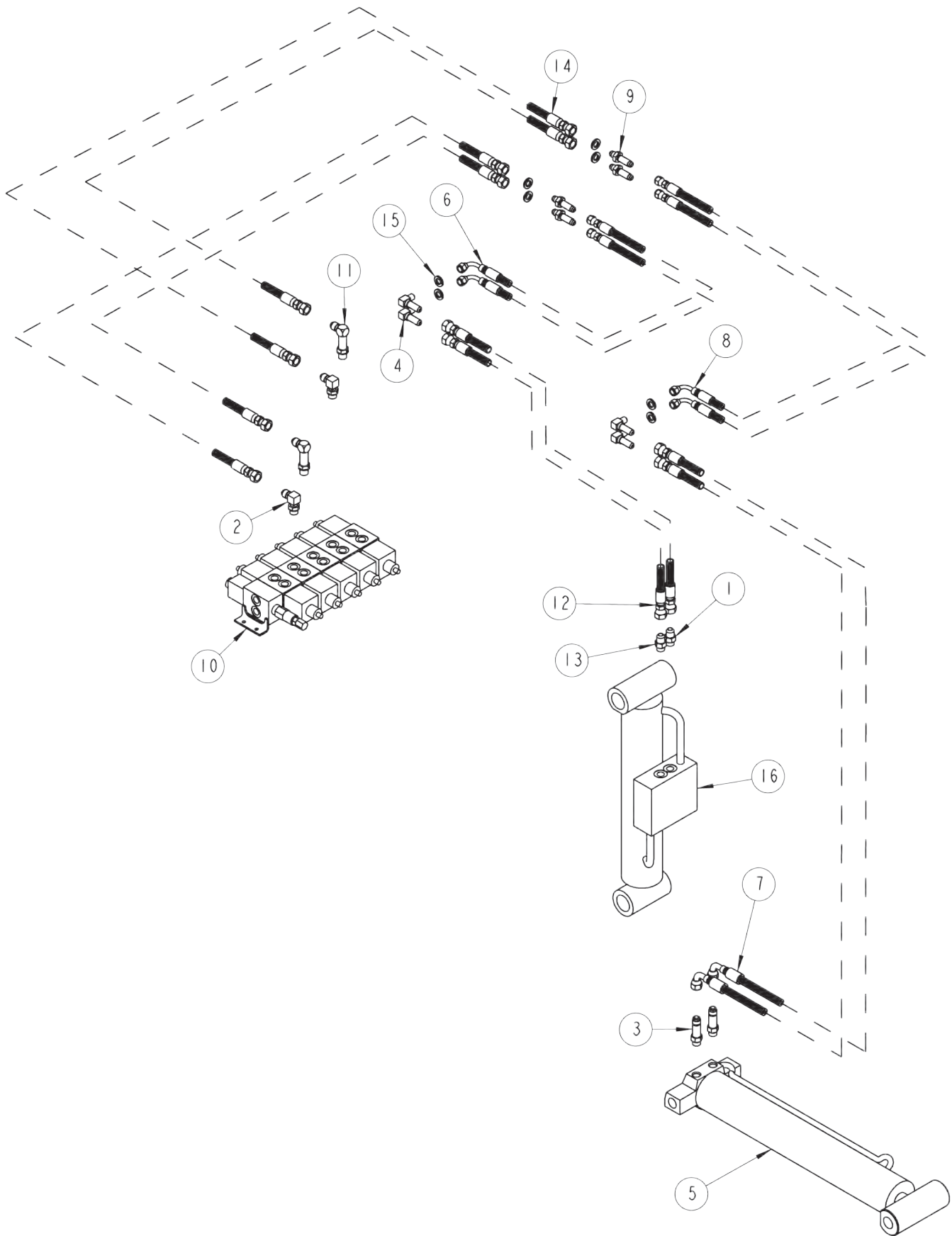
Section I - PARTS (cont'd)

BOOM & WINCH HYDRAULICS

ITEM	PART NUMBER	DESCRIPTION	QTY
1	0301522	CONNECTOR 6MJ-6MB	2
2	0301620	FITTING, ELBOW, 6MJ-6MB90	2
3	0301778	CONNECTOR 6MJX10MB	2
4	0303188	HOSE ASSY - 75" LG	2
5	0307088	VALVE 5-SPOOL PARKER DIR. CONTROL	1
6	0307460	FITTING, ELBOW, 6MJ-6MB90L	2
7	880010003	HOSE ASSEMBLY, 32"	2
8	0303273	RAMSEY RTR8000	1
9	0306658	CYLINDER BOOM ELEVATION	1

Section I - PARTS (cont'd)

WHEEL LIFT BOOM HYDRAULICS



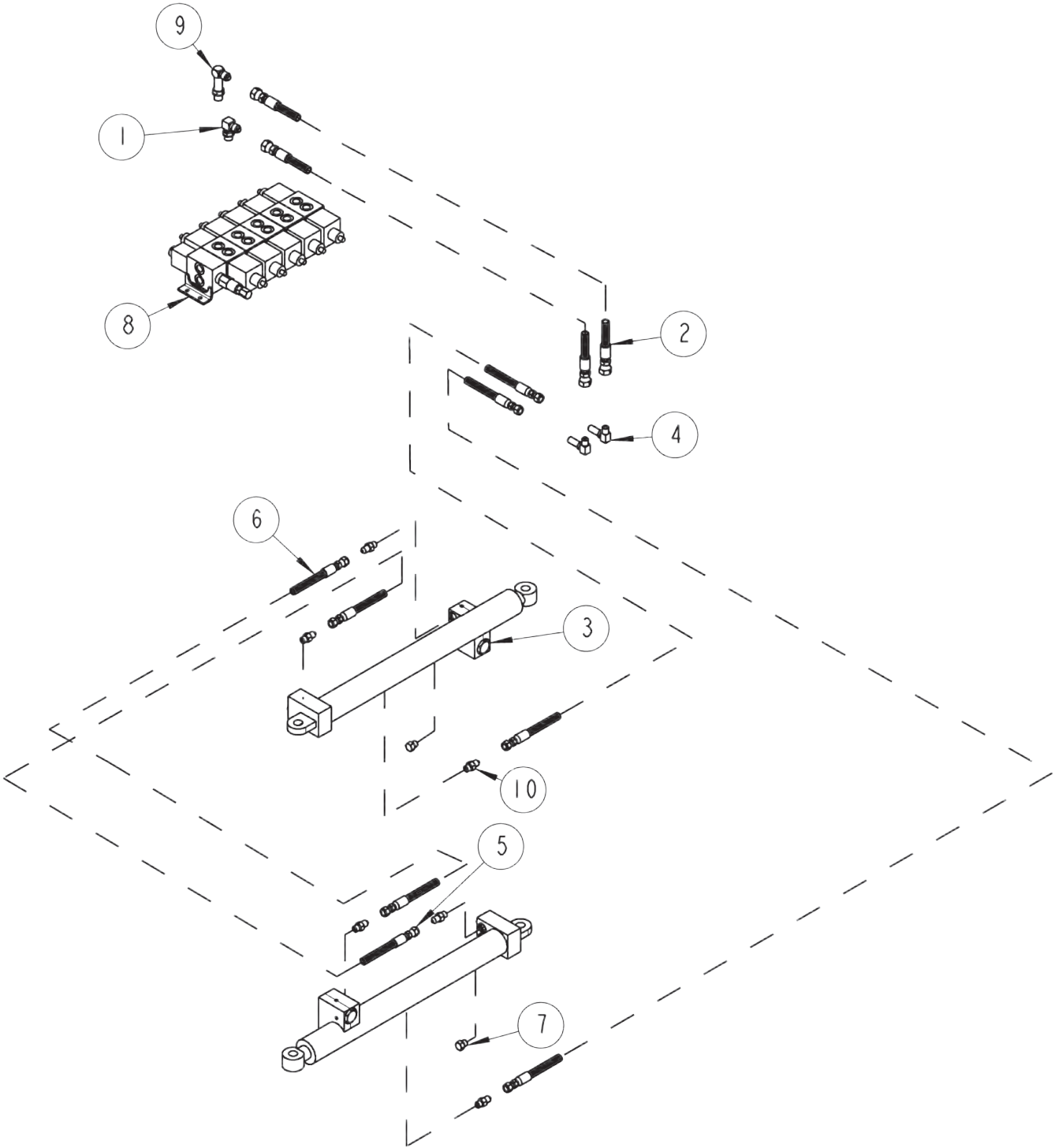
Section I - PARTS (cont'd)

WHEEL LIFT BOOM HYDRAULICS

ITEM	PART NUMBER	DESCRIPTION	QTY
1	0301522	CONNECTOR 6MJ-6MB	1
2	0301620	FITTING, ELBOW, 6MJ-6MB90	2
3	0302510	CONNECTOR, 6MJ-6MBL	2
4	0303858	BULKHEAD ELBOW (4MJ-4BLKHD-90 W/NUT)	4
5	0306660	CYLINDER - WHEELIFT EXTEND	1
6	0306763	HOSE ASSY - 48" LG	2
7	0306782	HOSE ASSY - 102 1/2" LG	2
8	0306801	HOSE ASSY - 52" LG	2
9	0306817	BULKHEAD UNION (4MJ-4BLKHD W/NUT)	4
10	0307088	VALVE 5-SPOOL PARKER DIR. CONTROL	1
11	0307460	FITTING, ELBOW, 6MJ-6MB90L	2
12	0307493	HOSE ASSY - 66" LG	2
13	0307791	ORIFICE FITTING 6MJ-6MBR-1/32	1
14	0310152	HOSE ASSY - 30" LG	4
15	0400487	7/16 HELICAL LOCK WASHER ZP	8
16	810730000	CYLINDER HYDRAULIC FOLD	1

Section I - PARTS (cont'd)

CLAW HYDRAULICS



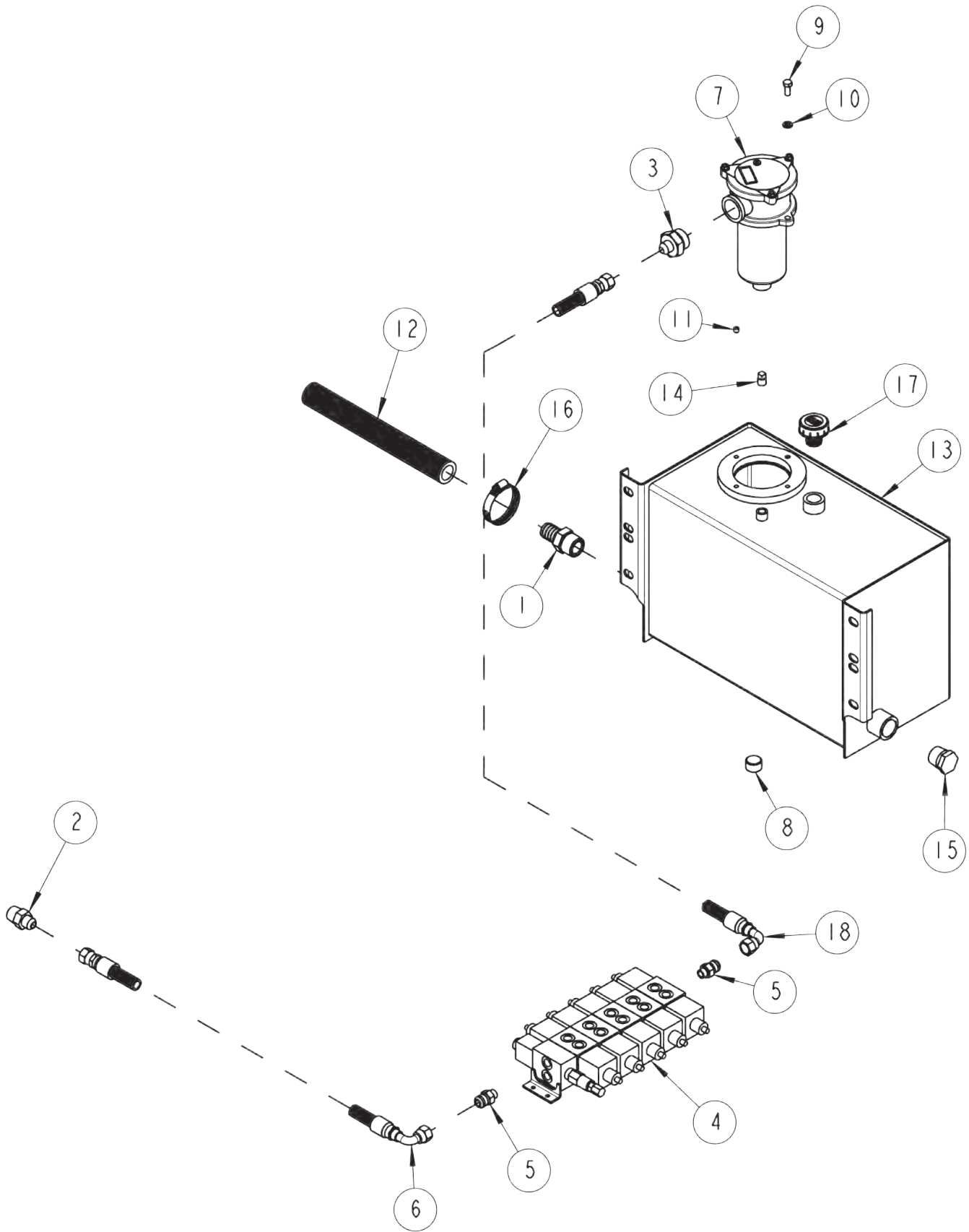
Section I - PARTS (cont'd)

CLAW HYDRAULICS

ITEM	PART NUMBER	DESCRIPTION	QTY
1	0301620	FITTING, ELBOW, 6MJ-6MB90	1
2	0302531	HOSE ASSY - 75" LG	2
3	0303844	CYLINDER, SWING L-ARM	2
4	0303858	BULKHEAD ELBOW (4MJ-4BLKHD-90 W/NUT)	2
5	0303860	HOSE ASSEMBLY, 10-3/4"	1
6	0303861	HOSE ASSEMBLY, 17"	1
7	0303886	PLUG - 1/4 SAE O-RING	2
8	0307088	VALVE 5-SPOOL PARKER DIR. CONTROL	1
9	0307460	FITTING, ELBOW, 6MJ-6MB90L	1
10	HC1291	CONNECTOR, 4MJ-4MB STR	6

Section I - PARTS (cont'd)

PUMP, VALVE & FILTER HYDRAULICS



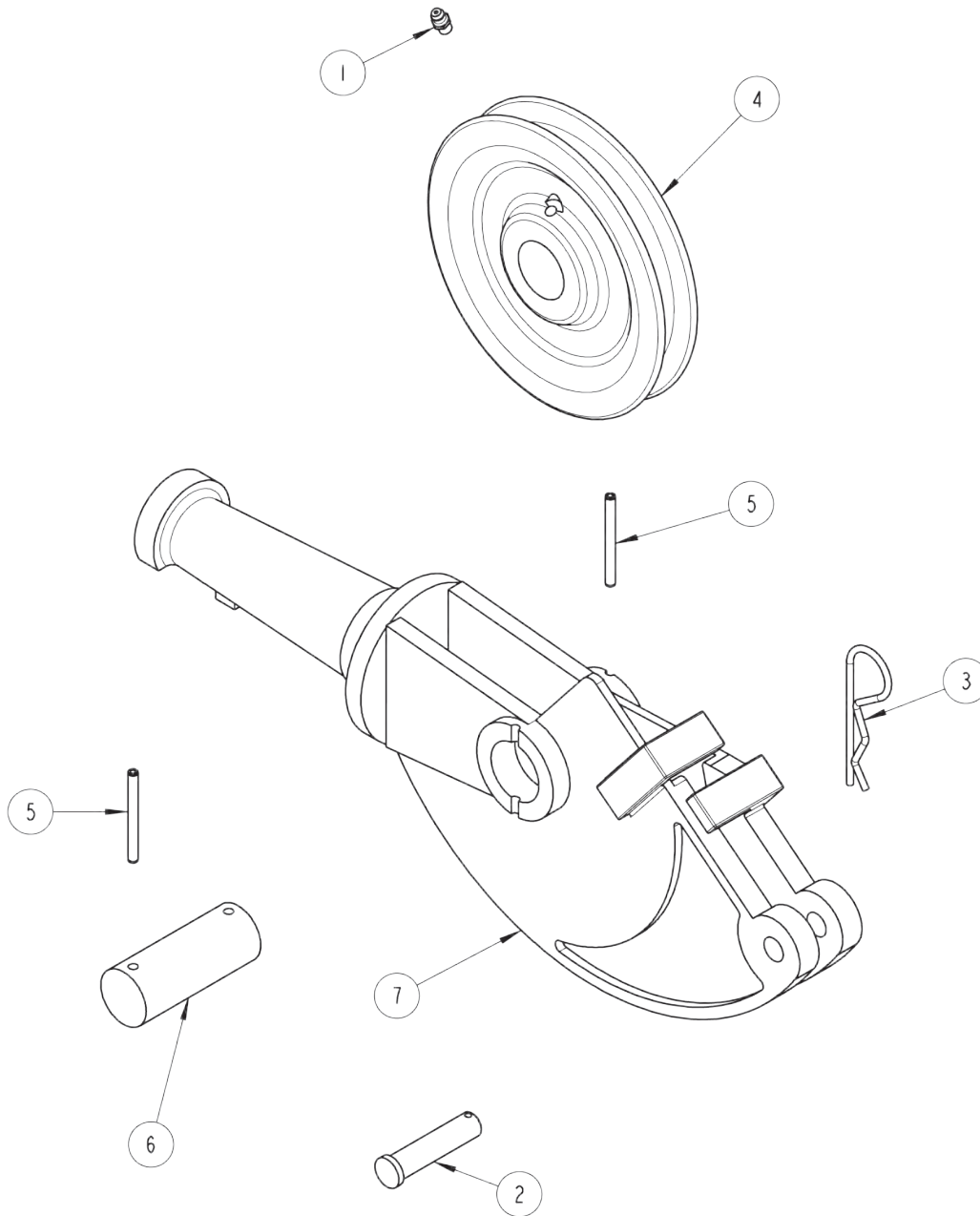
Section I - PARTS (cont'd)

PUMP, VALVE & FILTER HYDRAULICS

ITEM	PART NUMBER	DESCRIPTION	QTY
1	0300056	BARB, 16C4-16MP	1
2	0301391	CONNECTOR, 8MJ-12MP	1
3	0302757	CONNECTOR, 8MJ-12MB	1
4	0307088	VALVE 5-SPOOL PARKER DIR. CONTROL	1
5	0307555	CONNECTOR 8MJX6MB	2
6	0307663	HOSE ASSEMBLY, 185"	1
7	0310296	IMMERSION FILTER ASSEMBLY	1
8	0310462	MAGNETIC HEX PLUG - 3/4 NPT	1
9	0400118	5/16-18 X 3/4 HHCS GR.5 ZP	2
10	0400464	5/16 HELICAL LOCK WASHER ZP	2
11	0400748	SCREW, 5/16"-18 X 1/4" HEX SKT SET	2
12	0702540	SUCTION HOSE, 12 FT (1" ID)	1
13	0807297	HYDRAULIC TANK WELDMENT	1
14	9011011	PIPE PLUG, 1/4" SQ HD	1
15	9012839	PLUG 1" (HYDRAULIC) HEX HEAD	1
16	9018092	HOSE CLAMP, HS24 - 1 1/2"	1
17	9018131	BREATHER CAP	1
18	810770017	HOSE ASSEMBLY, 32"	1

Section I - PARTS (cont'd)

BOOM SWIVEL ASSEMBLY



ITEM	PART NUMBER	DESCRIPTION	QTY
1	0300113	GREASE FITTING, 1/4-28 STRAIGHT	1
2	0306886	CLEVIS PIN, 1/2" X 1-1/2"	1
3	0306887	HAIR PIN	1
4	1046E	BOOM SHEAVE WHEEL	1
5	ZZ-31	ROLL PIN, 3/8" X 3"	2
6	ZZ-53	SHAFT, SHEAVE BOOM YOKE	1
7	ZZ20E	YOKE, BOOM SHEAVE	1

CENTURY®

Miller Industries Towing Equipment Inc.

8503 Hilltop Drive • Ooltewah, Tennessee 37363 • (423) 238-4171

www.millerind.com