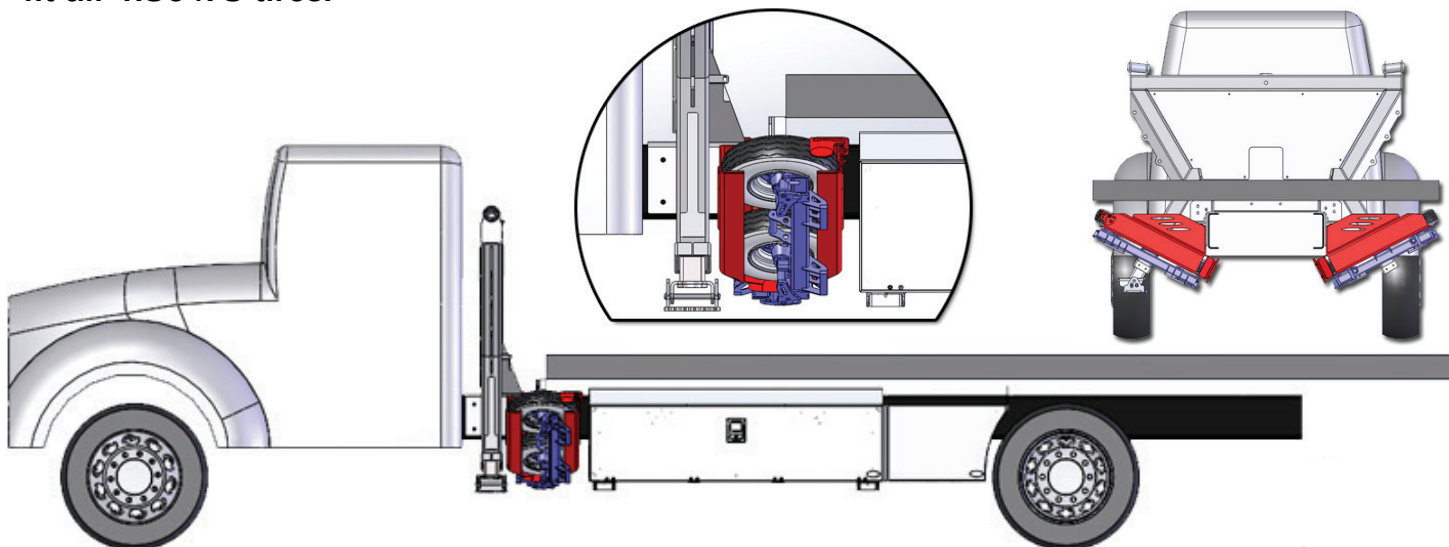


FINALLY, a place to store your Speed[®] Dolly on a car carrier.

In The Ditch[™]
TOWING PRODUCTS



The ITD1347 Car Carrier Dolly Mount makes storing your Speed[®] Dolly on a car carrier easy. The steel portion mounts to your truck frame, while the aluminum portion holds a single Speed[®] Dolly. Features an integrated lock system that can be pad-locked. Can be adjusted to fit all 4:80 x 8 tires.



www.intheditch.com • 1-888-993-4824 • Mountain Home, Idaho

