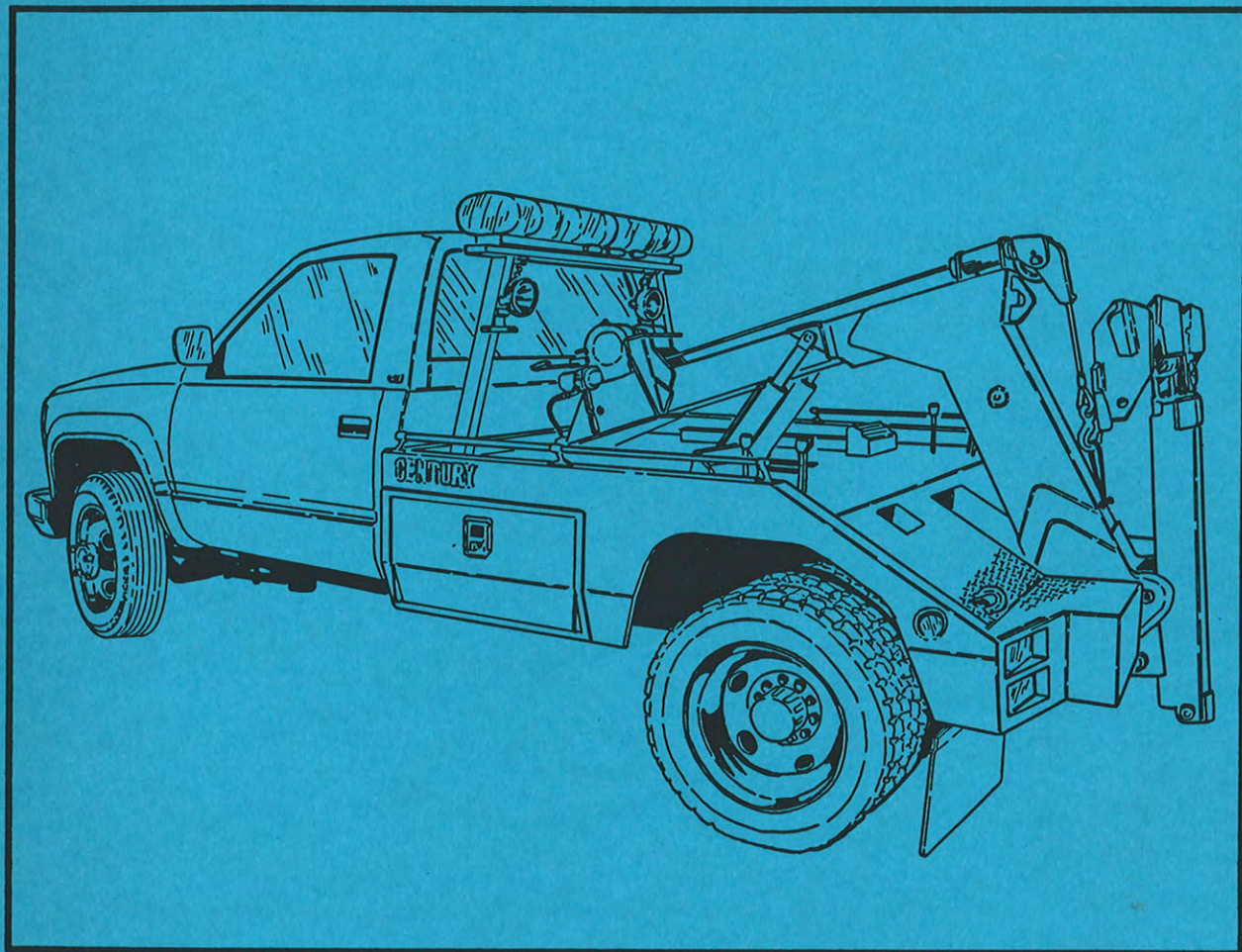


CENTURY®



OWNER'S MANUAL 211, 212

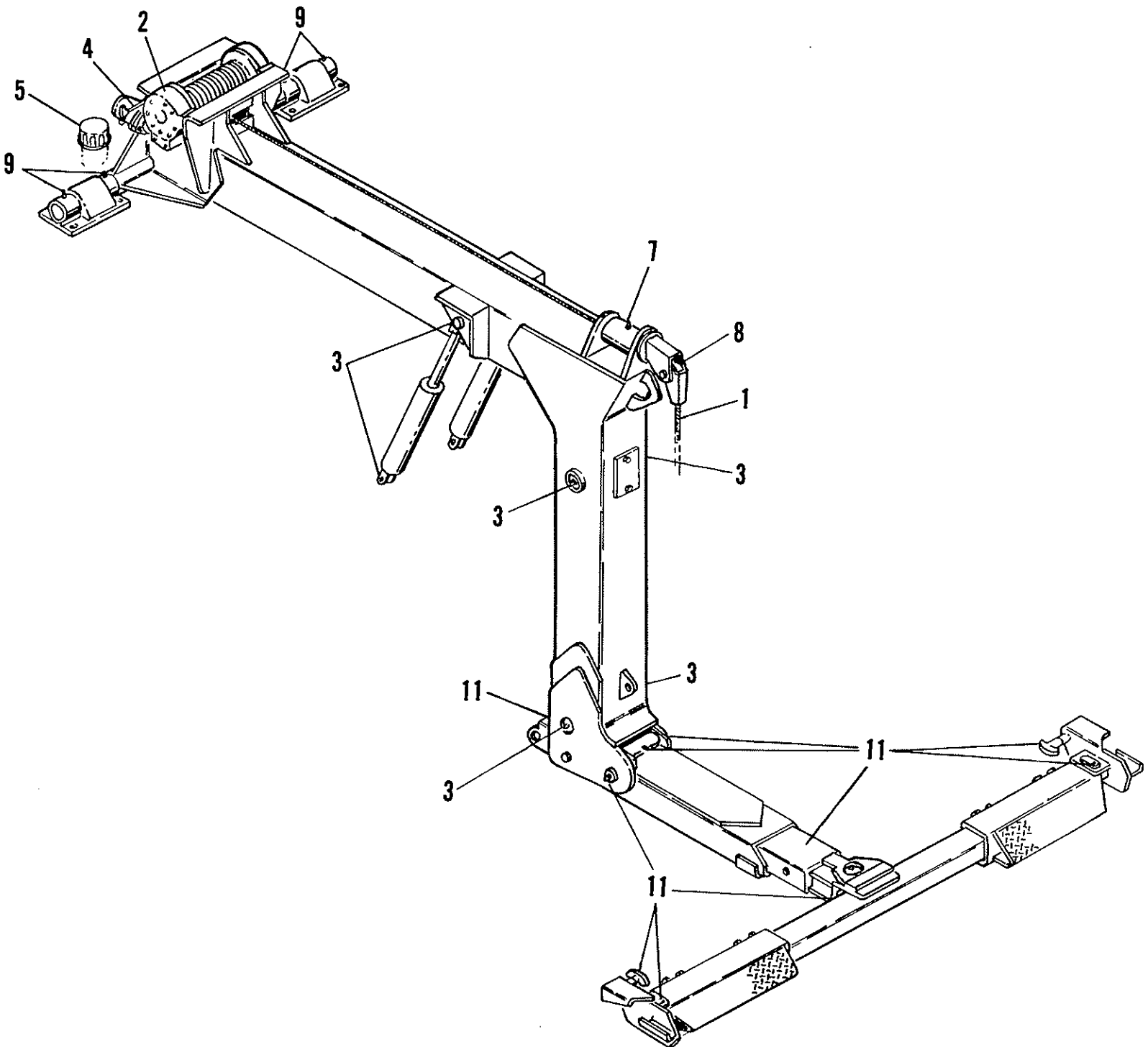
**CENTURY® WRECKER
CORPORATION**

**Installation, Operation,
Maintenance & Parts**

NOTE: MANUAL including SPECIFICATIONS, subject to change without notice. All ratings specified are based on structural forces only, not vehicle capacities or capabilities.

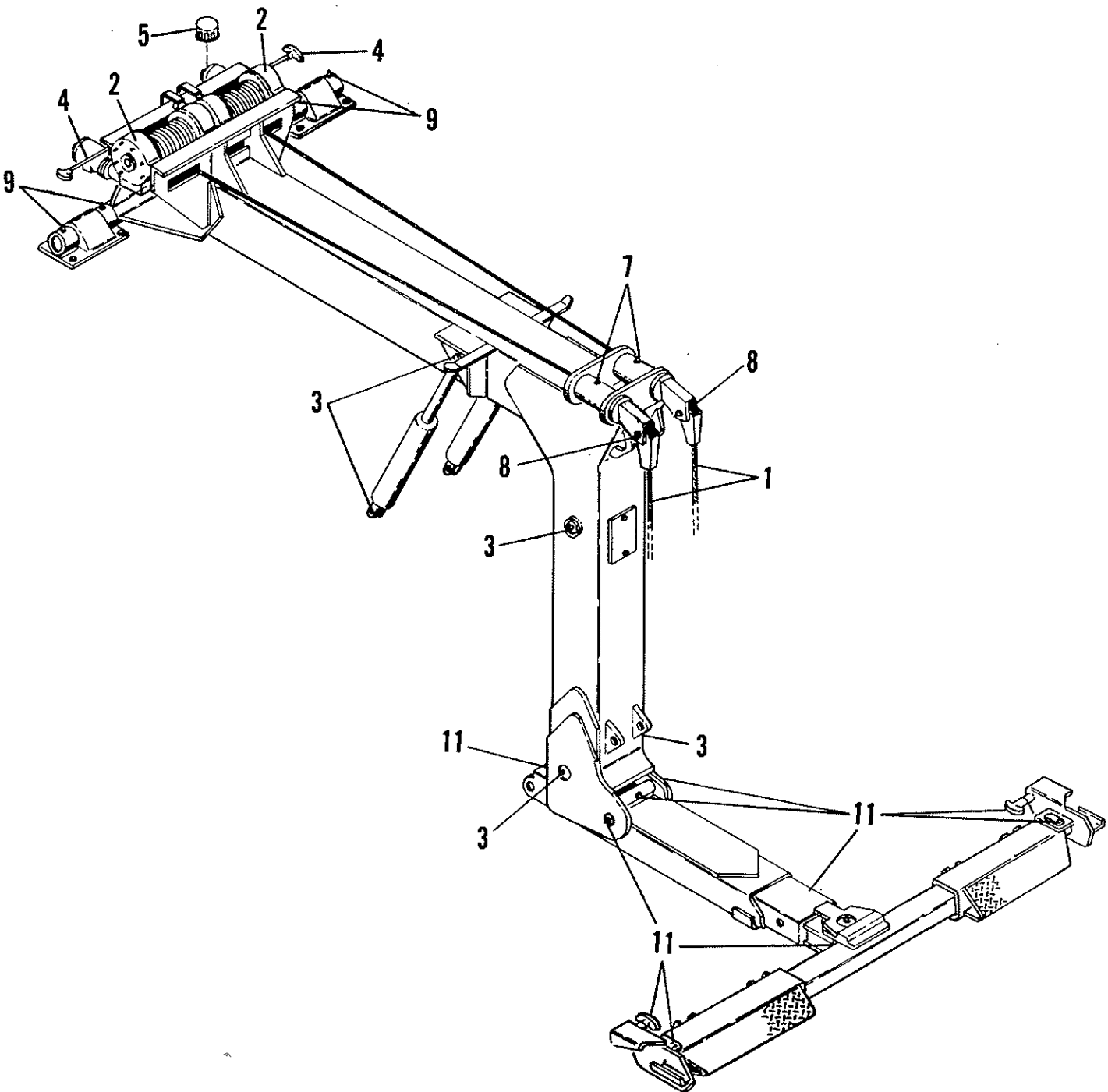
I-75 at Ooltewah Exit #11 • 8503 Hilltop Drive • Ooltewah, Tennessee 37363 • (615) 238-4171
Mailing Address: P.O. Box 120 • Ooltewah, Tennessee 37363 • FAX (615) 238-5371
FORM NO. 0500659
PRICE \$15.00

Section VIII-MAINTENANCE - 211 WRECKER



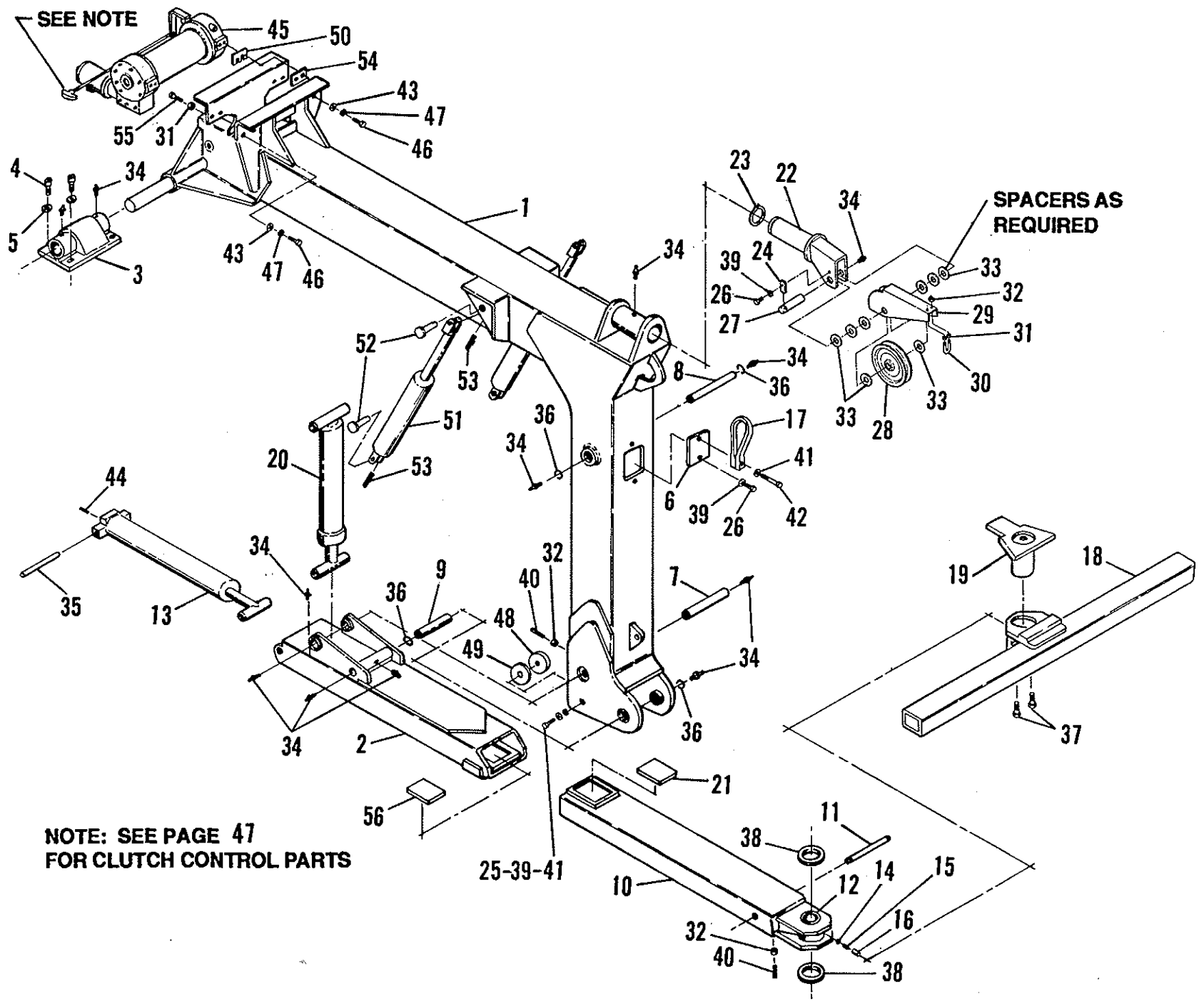
SEE PRECEDING PAGE
FOR LUBRICATION INFORMATION

Section VIII-MAINTENANCE - 212 WRECKER



**SEE PAGE 29 FOR
LUBRICATION INFORMATION**

Section IX - PARTS-WRECKER ASSEMBLY - 211



NOTE: SEE PAGE 47
FOR CLUTCH CONTROL PARTS

33

Section IX - PARTS-WRECKER ASSEMBLY - 211

REF. NO.	NO. REQ'D	PART NUMBER	DESCRIPTION
1	1	0802537	MAIN BOOM WELDMENT
2	1	0802510	OUTER BOOM WELDMENT-UNDERLIFT
3	2	3000B-28	TRUNION PIVOT WELDMENT
4	8	0400249	SCREW, 5/8"-11 X 1-1/4" SOC. HD. CAP
5	8	0400508	WASHER, 5/8" HELICAL LOCK
6	1	0708519	PLATE, COVER-BOOM UPPER
7	1	0708407	SHAFT, LOWER-TILT CYLINDER
8	1	0708408	SHAFT, UPPER-TILT CYLINDER
9	1	0708409	SHAFT, BOOM PIVOT
10	1	0802480	INNER BOOM WELDMENT
11	1	0702131	SHAFT, INNER TUBE CYLINDER
12	1	0301914	BEARING, INNER BOOM
13	1	0301825	CYLINDER, EXTEND
14	1	0301398	BALL, 1-3/16" DIA. STEEL
15	1	0301197	SPRING, CROSS BAR COMP.
16	1	0702546	SPACER, DETENT BALL
17	1	0301533	STRAP, 15" TIE DOWN
18	1	0801074	CROSS BAR, INNER
19	1	0802597	PIVOT PIN WELDMENT
20	1	0302919	CYLINDER, UNDERLIFT FOLD
21	1	0301850	SLIDE PAD, NYLATRON
22	1	0800003	SWIVEL, BOOM END
23	1	0300108	SNAP RING, 2-1/2" DIA. EXT.
24	1	0700032	SHAFT RETAINER
25	2	0400070	SCREW, 1/4"-20X1" HEX HD. CAP GR5,ZP
26	2	0400060	SCREW, 1/4"-20 X 1/2" HEX. HD. CAP, GR.5
27	1	0700056	SHAFT, SHEAVE
28	1	0300022	SHEAVE, 6"
29	1	0800735	GUIDE, CABLE
30	1	0301531	"U" BOLT (FROM 3/8" CABLE CLAMP)
31	2	0400393	NUT, 3/8"-16 HEX. JAM
32	4	0400392	NUT, 3/8"-16 HEX. NYLOC
33	2	0700166	WASHER, SPACER
34	12	0300113	GREASE FITTING, ALEMITE
35	1	0703345	SHAFT, EXTEND CYLINDER
36	4	AWS-3022-A	SNAP RING
37	2	0701956	SCREW, OUTER CROSS TUBE RET.
38	2	0703640	WASHER, THRUST
39	4	0400452	WASHER, 1/4" LOCK-ZP
40	2	0400139	SCREW, 3/8"-16 X 1.5" HEX. SKT. SET
41	3	0400451	WASHER, 1/4" FLAT-ZP
42	1	0400078	SCREW, 1/4"-20X2" HEX. HD. CAP GR 5, ZP
43	6	0400480	WASHER, 3/8" FLAT-ZP
44	1	0400120	SCREW, 3/8"-16X1/2" ALLEN HD. SET
45	1	0302936	WINCH ASS'Y., RAMSEY (LESS MOTOR)

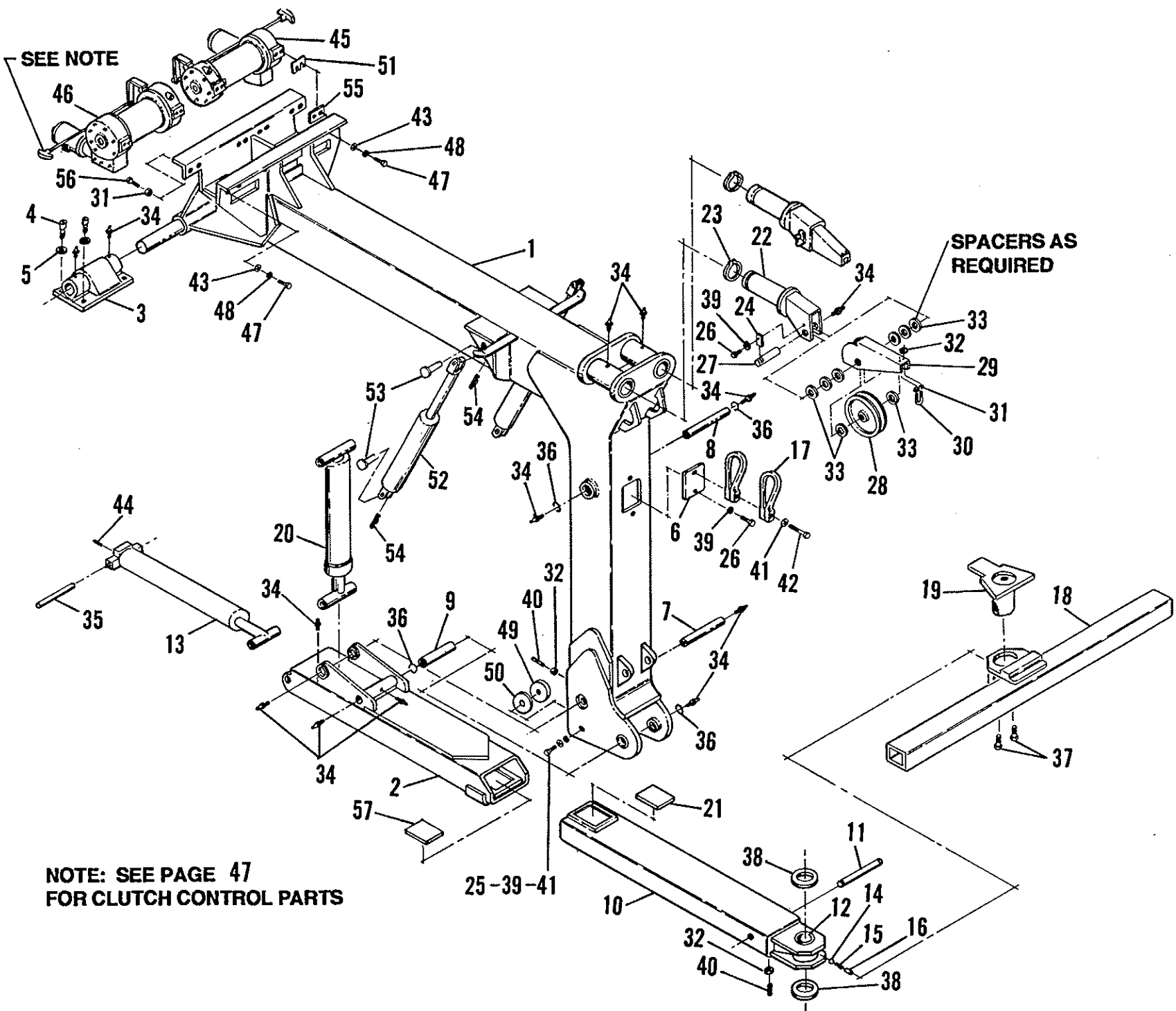
(CONTINUED NEXT PAGE)

(CONTINUED)

Section IX - PARTS-WRECKER ASSEMBLY - 211

REF. NO.	NO. REQ'D	PART NUMBER	DESCRIPTION
46	7	0400122	SCREW, 3/8"-16X1.25" HEX. HD. CAP GR5-ZP
47	7	0400482	LOCKWASHER, 3/8" HELICAL
48	2	0708406	PAD, GUIDE
49	6	0708410	SHIM, GUIDE PAD
50	2	0706668	SHIM, WINCH MOUNTING
51	2	IT-27B	BOOM CYLINDER, ELEVATION
52	4	BK518	PIN, BOOM CYLINDER
53	4	BK519	HAIR PIN, BOOM CYLINDER, PIN
54	2	0708518	BLOCK, SPACER
55	1	0400150	SCREW, 3/8"-16 X 2-1/2" HEX. HD. CAP. GR5-ZP
56	1	0303018	SLIDE PAD, NYLATRON

Section IX - PARTS-WRECKER ASSEMBLY - 212



36

(CONTINUED NEXT PAGE)

NOTE: SEE PAGE 47
FOR CLUTCH CONTROL PARTS

Section IX - PARTS-WRECKER ASSEMBLY - 212

REF. NO.	NO. REQ'D	PART NUMBER	DESCRIPTION
1	1	0802552	MAIN BOOM WELDMENT
2	1	0802510	OUTER BOOM WELDMENT-UNDERLIFT
3	2	3000B-28	TRUNION PIVOT WELDMENT
4	8	0400249	SCREW, 5/8"-11 X 1-1/4" SOC. HD. CAP
5	8	0400508	WASHER, 5/8" HELICAL LOCK
6	1	0708519	PLATE, COVER-BOOM UPPER
7	1	0708407	SHAFT, LOWER-TILT CYLINDER
8	1	0708408	SHAFT, UPPER-TILT CYLINDER
9	1	0708409	SHAFT, BOOM PIVOT
10	1	0802480	INNER BOOM WELDMENT
11	1	0702131	SHAFT, INNER TUBE CYLINDER
12	1	0301914	BEARING, INNER BOOM
13	1	0301825	CYLINDER, EXTEND
14	1	0301398	BALL, 1-3/16" DIA. STEEL
15	1	0301197	SPRING, CROSS BAR COMP.
16	1	0702546	SPACER, DETENT BALL
17	2	0301533	STRAP, 15" TIE DOWN
18	1	0801074	CROSS BAR, INNER
19	1	0802597	PIVOT PIN WELDMENT
20	1	0302919	CYLINDER, UNDERLIFT FOLD
21	1	0301850	SLIDE PAD, NYLATRON
22	2	0800003	SWIVEL, BOOM END
23	3	0300108	SNAP RING, 2-1/2" DIA. EXT.
24	2	0700032	SHAFT RETAINER
25	2	0400070	SCREW, 1/4"-20X1" HEX. HD. CAP GR5-ZP
26	3	0400060	SCREW, 1/4"-20 X 1/2" HEX. HD. CAP, GR.5
27	2	0700056	SHAFT, SHEAVE
28	2	0300022	SHEAVE, 6"
29	2	0800735	GUIDE, CABLE
30	2	0301531	"U" BOLT (FROM 3/8" CABLE CLAMP)
31	2	0400393	NUT, 3/8"-16 HEX. JAM
32	6	0400392	NUT, 3/8"-16 HEX. NYLOC
33	4	0700166	WASHER, SPACER
34	13	0300113	GREASE FITTING, ALEMITE
35	1	0703345	SHAFT, EXTEND CYLINDER
36	4	AWS-3022-A	SNAP RING
37	2	0701956	SCREW, OUTER CROSS TUBE RET.
38	2	0703640	WASHER, THRUST
39	4	0400452	WASHER, 1/4" LOCK-ZP
40	2	0400139	SCREW, 3/8"-16 X 1.5" HEX. SKT. SET
41	3	0400451	WASHER, 1/4" FLAT-ZP
42	1	0400078	SCREW, 1/4"-20X2" HEX. HD. CAP GR 5, ZP
43	12	0400480	WASHER, 3/8" FLAT - ZP
44	1	0400120	SCREW, 3/8"-16X1/2" ALLEN HD. SET
45	1	0302937	WINCH ASS'Y, RAMSEY (LESS MOTOR)

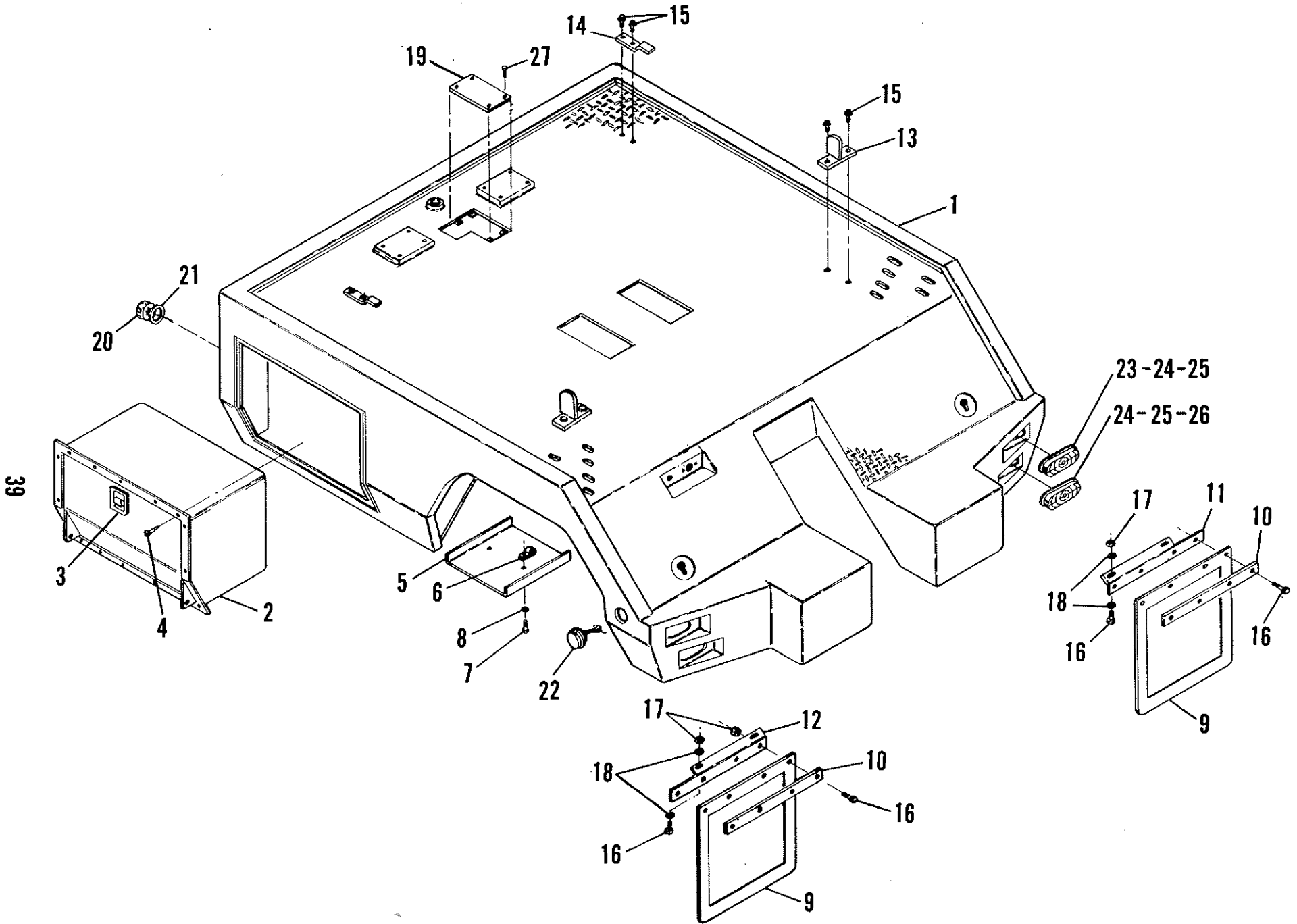
(CONTINUED NEXT PAGE)

(CONTINUED)

Section IX - PARTS-WRECKER ASSEMBLY - 212

REF. NO.	NO. REQ'D	PART NUMBER	DESCRIPTION
46	1	0302936	WINCH ASS'Y, RAMSEY (LESS MOTOR)
47	14	0400122	SCREW, 3/8"-16X1.25 HEX. HD. CAP GR5-ZP
48	14	0400482	LOCKWASHER, 3/8" HELICAL
49	2	0708406	PAD, GUIDE
50	6	0708410	SHIM, GUIDE PAD
51	4	0706668	SHIM, WINCH MOUNTING
52	2	IT-27B	BOOM CYLINDER, ELEVATION
53	4	BK 518	PIN, BOOM CYLINDER
54	4	BK 519	HAIR IN, BOOM CYLINDER PIN
55	4	0708518	SPACER, WINCH BUCKET
56	2	0400150	SCREW, 3/8"-16X2-1/2" HEX. HD. CAP. GR5-ZP
57	1	0303018	SLIDE PAD, NYLATRON

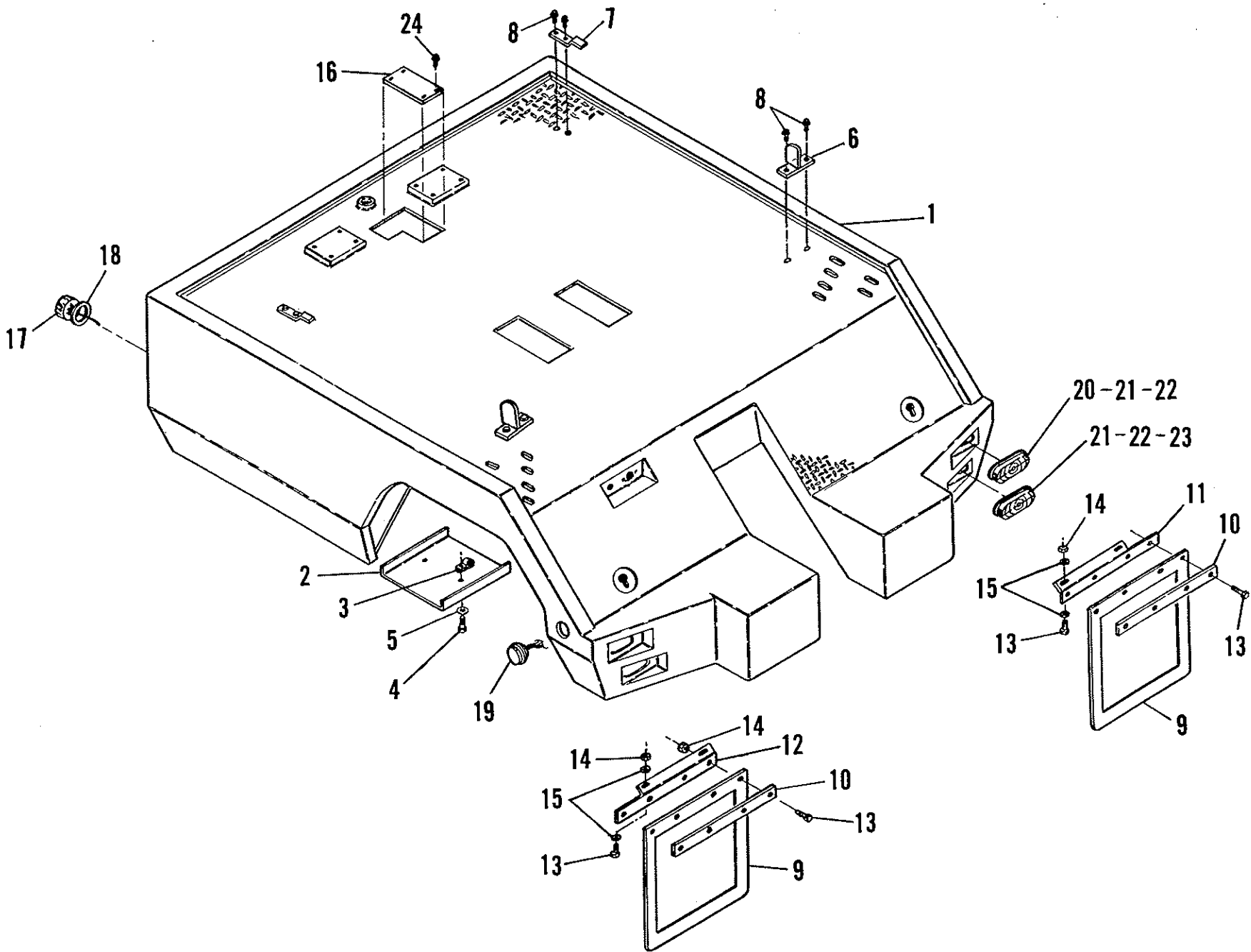
Section IX - PARTS - BODY ASSEMBLY - 211 & 212 86" WIDE



Section IX - PARTS-BODY ASSEMBLY-211 & 212 86" WIDE

REF. NO.	NO. REQ'D	PART NUMBER	DESCRIPTION
1	1	0802629	BODY WELDMENT, 60" C.A.
2	1	0801258	TOOLBOX, 32"
3	1	0302855	LATCH, TOOL CPT., PLAIN
4	16	0400567	RIVET, 1/8" DIA. X 1/4" GRIP-POP
5	2	0704516 /	GUARD, CONTROL STATION
6	4	0400370 /	CLIP, TINNEMAN 1/4" "U" TYPE
7	4	0400066 /	SCREW, 1/4"-20 X 3/4" HEX. HD CAP GR5ZP
8	4	0400452 /	WASHER, 1/4" HELICAL LOK-ZP
9	2	0302173 /	MUD FLAP
10	2	0705092 /	BAR, MUD FLAP
11	1	0708809 /	MUD FLAP MTG. ANGLE, RIGHT
12	1	0708810 /	MUD FLAP MTG. ANGLE, LEFT
13	2	0802712 /	STORAGE BRACKET, WELDMENT
14	2	0707510 /	STORAGE BRACKET
15	8	0400062 /	SCREW, 1/4"-20 X 3/4" TYPE "F" THRD CUTTING
16	12	0400122 /	SCREW, 3/8"-16 X 1.25" HEX HD CAP GR5-ZP
17	12	0400392 /	NUT, 3/8"-16 NYLOK HEX.-ZP
18	8	0400480 /	WASHER, 3/8" FLAT-ZP
19	1	0708931 /	COVER, ACCESS
20	2	0301742 /	SEALED MARKER LIGHT, YELLOW
21	4	0301740 /	GROMMET MTG. KIT W/PLUG
22	2	0301741 /	SEALED MARKER LIGHT, RED
23	2	0301390 /	STOP & TURN LIGHT, BODY
24	4	0304124 /	STOP & TURN BEZEL
25	8	0304123 /	SCREW FOR BEZEL
26	2	0302201 /	BACK UP LIGHT
27	4	0400233 /	SCREW, 5/16"-18 X 1/2 HEX. HD CAP GR5 ZP

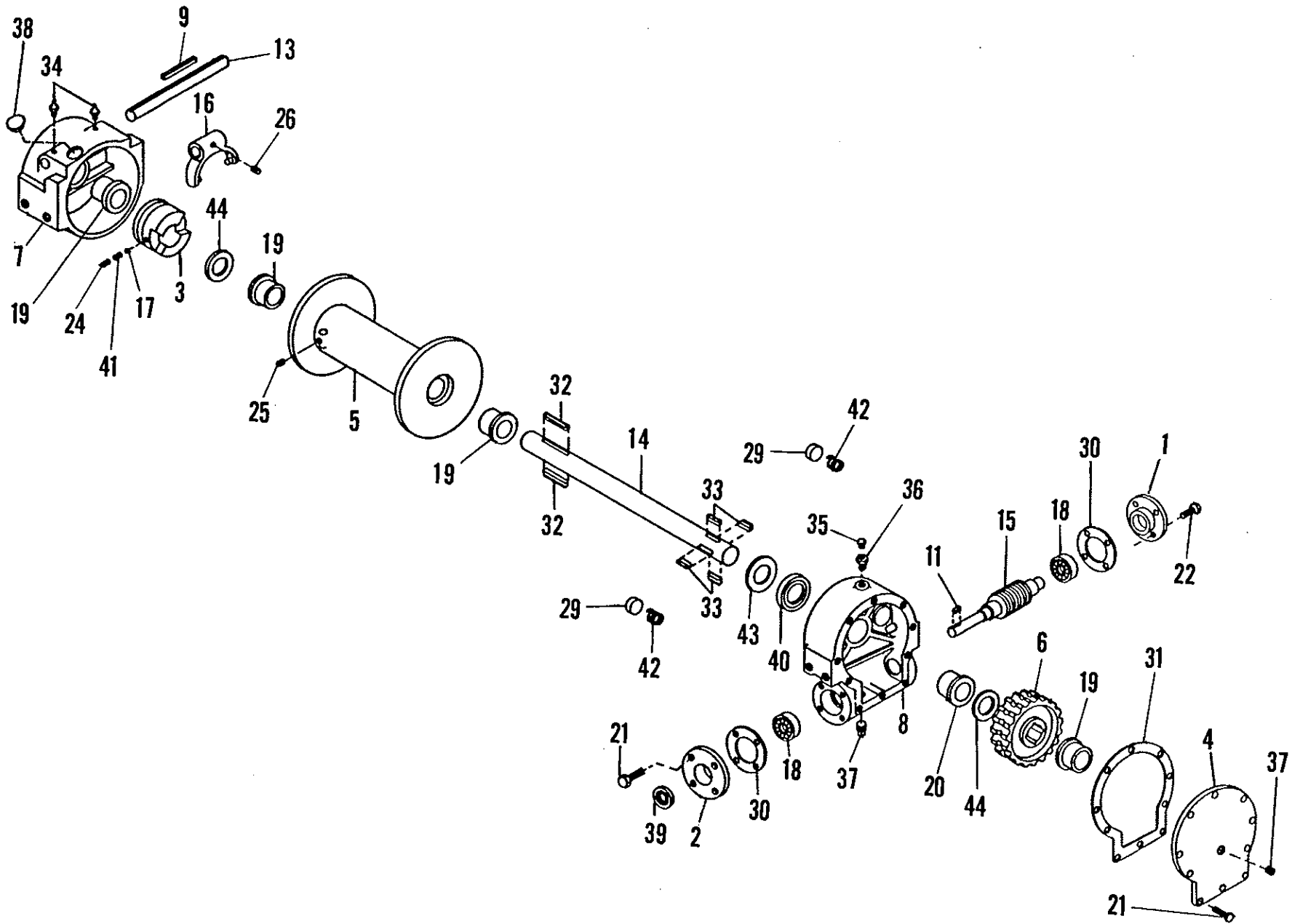
Section IX - PARTS - BODY ASSEMBLY - 211 N (80" WIDE)



Section IX - PARTS-BODY ASSEMBLY-211 N (80" WIDE)

REF. NO.	NO. REQ'D	PART NUMBER	DESCRIPTION
1	1	0802637	BODY WELDMENT, 60" C.A. NARROW
2	2	0704516 /	GUARD, CONTROL STATION
3	4	0400370 /	CLIP, TINNEMAN 1/4" "U" TYPE
4	4	0400066 /	SCREW, 1/4"-20 X 3/4" HEX. HD. CAP GR5 ZP
5	4	0400452 /	WASHER 1/4" HELICAL LOCK ZP
6	2	0802712 /	STORAGE BRACKET, WELDMENT
7	2	070510 /	STORAGE BRACKET
8	8	0400062 /	SCREW, 1/4"-20X3/4" TYPE "F" THRD. CUT
9	2	0302173 /	MUD FLAP
10	2	0705092 /	BAR, MUD FLAP
11	1	0708809 /	MUD FLAP MTG. ANGLE, RIGHT
12	1	0708810 /	MUD FLAP MTG. ANGLE, LEFT
13	12	0400122 /	SCREW, 3/8"-16 X 1.25: HEX. HD CAP GR5 ZP
14	12	0400392 /	NUT, 3/8"-16 NYLOK HEX. ZP
15	8	0400480 /	WASHER, 3/8" FLAT-ZP
16	1	0708931 /	COVER, ACCESS
17	2	0301742 /	SEALED MARKER LIGHT, YELLOW
18	4	0301740 /	GROMMETT MG. KIT W/PLUG
19	2	0301741 /	SEALED MARKER LIGHT, RED
20	2	0301390 /	STOP & TURN LIGHT, BODY
21	4	0304124 /	STOP & TURN BEZEL
22	8	0304123 /	SCREW FOR BEZEL
23	2	0302201 /	BACK UP LIGHT
24	4	0400233 /	SCREW, 5/16-18X1/2" HEX. HD CAP R5-ZP

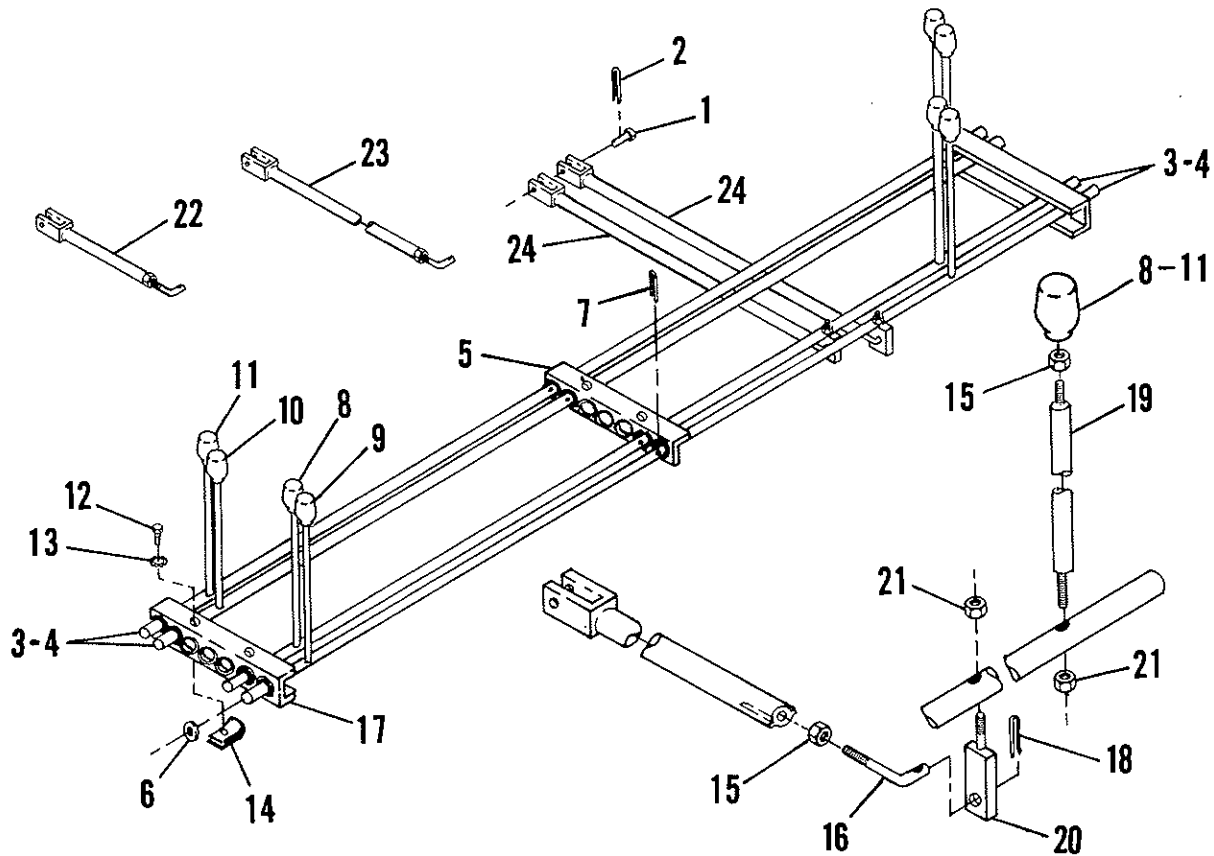
Section IX-PARTS-WINCH ASSEMBLY HY-246-RAMSEY



Section IX-PARTS-WINCH ASSEMBLY HY-246-RAMSEY

REF. NO.	NO. REQ'D	PART NUMBER	DESCRIPTION
1	1	316083	BEARING CAP
2	1	316084	BEARING CAP
3	1	324161	JAW CLUTCH
4	1	328134	COVER
5	1	332007	DRUM "Y"
6	1	334163	GEAR R.H. 46:1
	1	334164	GEAR L. H. 46:1
7	1	338003	HOUSING-CLUTCH
8	1	338273	HOUSING-GEAR
9	1	342018	KEY
10	1	342024	KEY
11	1	342027	KEY
12	1	344008	LEVER-SHIFTER
13	1	356902	SHAFT-SHIFTER
14	1	357480	SHAFT-DRUM "Y"
15	1	368002	WORM R.H. 46:1
	1	368009	WORM L.H. 46:1
16	1	370001	YOKE
17	1	400001	BALL-POPPET
18	2	402002	BEARING-BALL
19	4	412003	BUSHING
20	1	412045	BUSHING
21	10	414038	CAPSCREW 1/4-20NC X 3/4 LG. HX. HD. GR.5
22	8	414045	CAPSCREW 1/4-20NC X 7/8 LG. HX. HD. GR.5
23	4	414282	CAPSCREW 3/8-16NC X 3/4 LG. HX. HD. GR.5
24	1	416040	SETSCREW 1/4-20NC X 1-1/4 SOC. HD. LESS
25	1	416059	SETSCREW 3/8-16NC X 3/8 SOC. HD. LESS
26	1	416084	SETSCREW 1/4-20NC X 1/2 LG. SQ. HD.
27	1	416109	SETSCREW 5/16-18NC X 1/2 LG. SQ. HD.
28	4	418177	LOCKWASHER 3/8 MED. SECT. C.P.
29	2	438014	DRAG BRAKE
30	2	442184	GASKET
31	1	442205	GASKET
32	2	450006	KEY-BARTH
33	4	450016	KEY-BARTH
34	2	456006	FITTING-LUBE
35	1	456008	FITTING-RELIEF
36	1	468002	REDUCER
37	2	468011	PIPE PLUG
38	1	472013	PLASTIC PLUG
39	1	486009	OIL SEAL
40	1	486017	OIL SEAL
41	1	494001	SPRING-POPPET
42	2	494002	SPRING
43	1	518014	THRUST WASHER
44	2	518015	THRUST WASHER

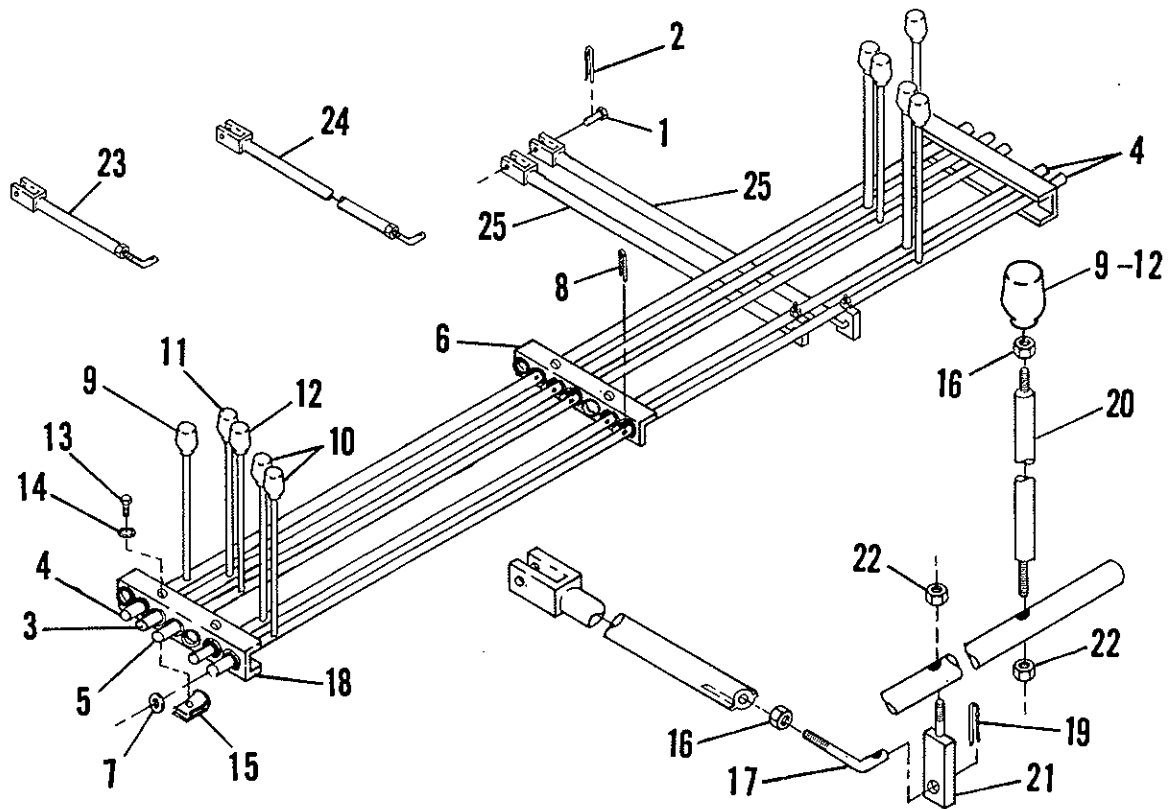
Section IX - PARTS - CONTROL & CROSSROD ASSEMBLY 211 WRECKER - 80" and 86" WIDE BODIES



REF. NO.	NO. REQ'D	PART NUMBER	DESCRIPTION
1	4	0400527	CLEVIS PIN, 5/16" DIA. COTTERLESS S.S.
2	4	0400541	COTTER PIN, 1/16" X 3/4"
3	4	0704529	CROSSROD-WRECKER (86" WIDE BODY)
4	4	0708898	CROSSROD-WRECKER (80" WIDE BODY)
5	1	0703501	ANGLE, CROSS ROD BEARING
6	21	0300122	GROMMET, SPLIT PLASTIC
7	8	0400539	COTTER PIN, 3/16" X 1 1/2"
8	2	0300835	KNOB, WRECKER BOOM "UP-DN" (BLACK)
9	2	0300834	KNOB, CABLE "IN-OUT" (RED)
10	2	0302917	KNOB, W/L "IN-OUT" (GREY)
11	2	0302856	KNOB, W/L "TILT" (GREY)
12	6	0400063	SCREW, 1/4"-20 X 1 1/2" LG. HEX. HD. CAP
13	6	0400452	LOCKWASHER, 1/4 EXT. TOOTH
14	6	0400370	CLIP, 1/4" TINNEMAN
15	12	0400393	NUT, 3/8"-16 JAM
16	--	0701099	EXTENSION, CONTROL ROD LONG
17	2	0704517	CHANNEL, CROSS ROD BEARING
18	4	0400543	COTTER PIN, 1/8" X 3/4"
19	8	0704527	LEVER, CONTROL
20	4	0800604	ARM, CROSS CONTROL
21	12	0400390	NUT, 3/8"-16 JAM ESLOK
22	--	0800612	CONTROL ROD SHORT
23	--	0800955	CONTROL ROD MED.
24	--	0800613	CONTROL ROD LONG

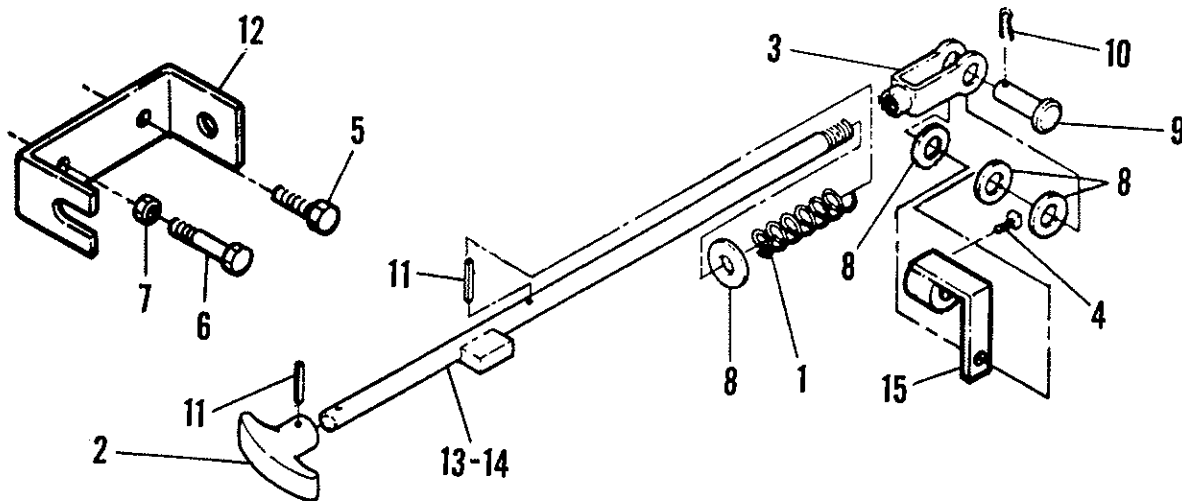
Section IX - PARTS CONTROL & CROSSROD ASSEMBLY

212 WRECKER



REF. NO.	NO. REQ'D	PART NUMBER	DESCRIPTION
1	5	0400527	CLEVIS PIN, 5/16" DIA. COTTERLESS S.S.
2	5	0400541	COTTER PIN, 1/16" X 3/4"
3	1	0703528	CROSSROD-W/L
4	3	0704529	CROSSROD-WRECKER
5	1	0704530	CROSSROD-TILT
6	1	0703501	ANGLE, CROSS ROD BEARING
7	21	0300122	GROMMET, SPLIT PLASTIC
8	10	0400539	COTTER PIN, 3/16" X 1 1/2"
9	2	0300835	KNOB, WRECKER BOOM "UP-DN" (BLACK)
10	4	0300834	KNOB, CABLE "IN-OUT" (RED)
11	2	0302917	KNOB, W/L "IN-OUT" (GREY)
12	2	0302856	KNOB, W/L "TILT" (GREY)
13	6	0400063	SCREW, 1/4"-20 X 1 1/2" LG. HEX. HD. CAP
14	6	0400452	LOCKWASHER, 1/4 EXT. TOOTH
15	6	0400370	CLIP, 1/4" TINNEMAN
16	15	0400393	NUT, 3/8"-16 JAM
17	--	0701099	EXTENSION, CONTROL ROD LONG
18	2	0704517	CHANNEL, CROSS ROD BEARING
19	5	0400543	COTTER PIN, 1/8" X 3/4"
20	10	0704527	LEVER, CONTROL
21	5	0800604	ARM, CROSS CONTROL
22	15	0400390	NUT, 3/8"-16 JAM ESLOK
23	--	0800612	CONTROL ROD SHORT
24	--	0800955	CONTROL ROD MED.
25	--	0800613	CONTROL ROD LONG

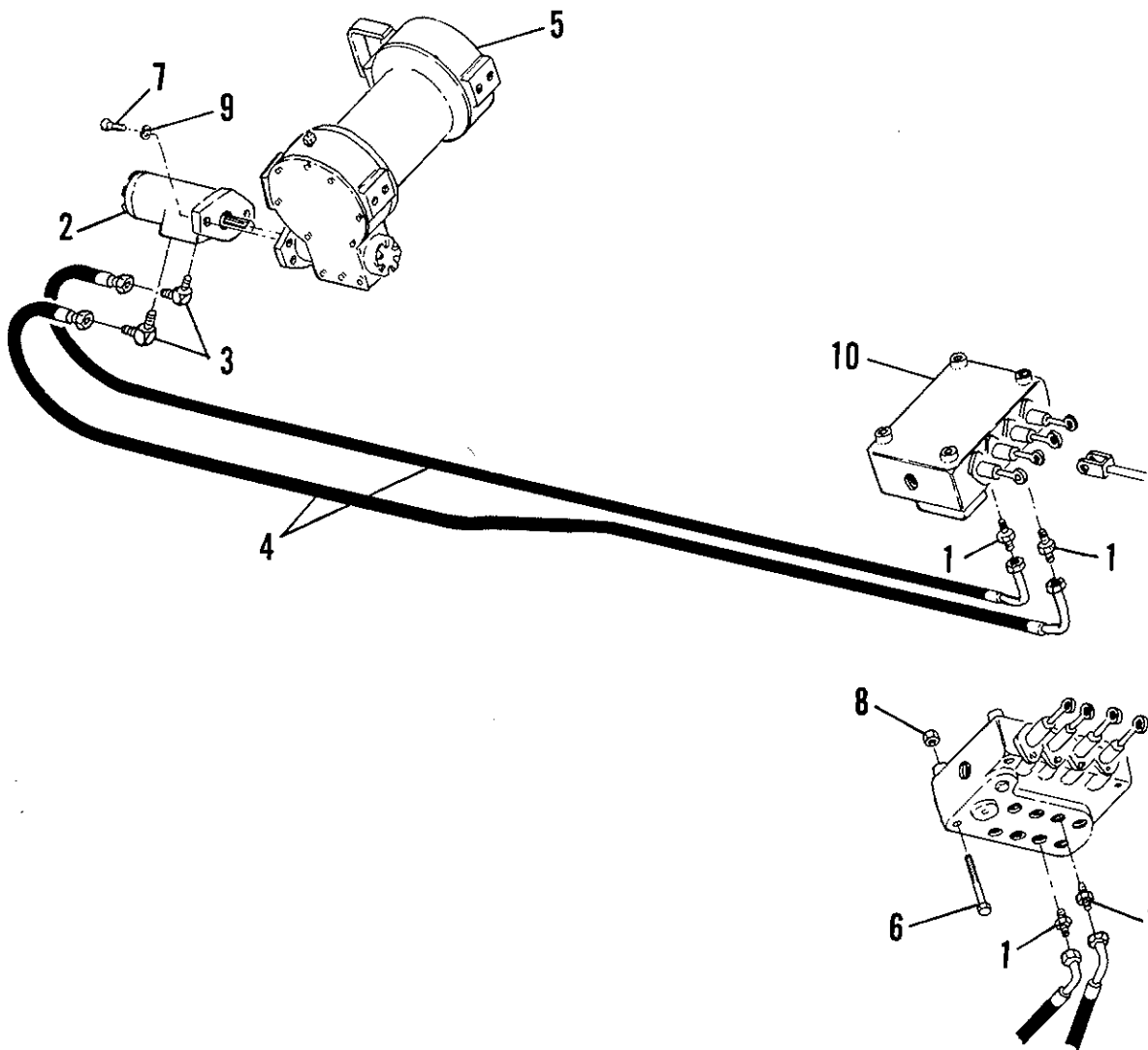
Section IX - PARTS - WINCH CLUTCH CONTROL



2 ASSY'S REQ'D FOR DUAL WINCH WRECKER

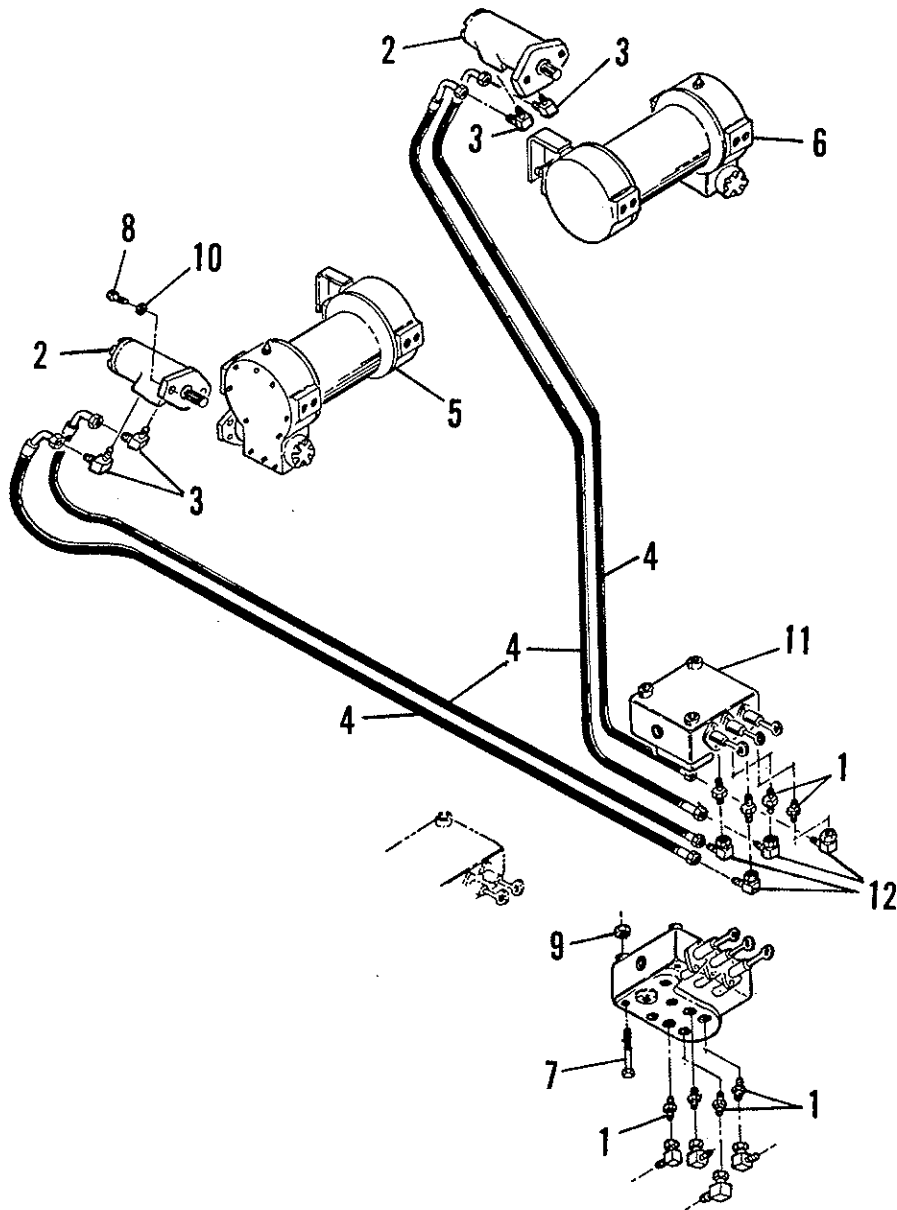
REF. NO.	NO. REQ'D	PART NUMBER	DESCRIPTION
1	1	0300845	SPRING, COMPRESSION
2	1	0301532	"T" HANDLE
3	1	0301588	ADJUSTING YOKE
4	1	0400116	SCREW, 5/16" - 18 X 1/2" LG. SQ. HD. SET
5	1	0400126	SCREW, 3/8" - 16 X 1" LG. HEX. HD. CAP
6	1	0400150	SCREW, 3/8" - 16 X 2-1/2" LG. HEX. HD. CAP
7	1	0400393	NUT, 3/8" - 16 JAM
8	4	0400492	WASHER, 1/2" FLAT
9	1	0400537	PIN, 1/2" DIA. X 1-1/2" LG. CLEVIS
10	1	0400546	PIN, 1/8" X 1-1/4" LG. COTTER
11	2	0400560	PIN, 5/32" X 1" LG. ROLL
12	1	0702408	MOUNTING CHANNEL
13	1	0802613	CONTROL ROD, SINGLE WINCH
14	1	0802614	CONTROL ROD, DUAL WINCH
15	1	0800779	WELDMENT, BELL CRANK

Section IX - PARTS - WINCH HYDRAULICS - 211



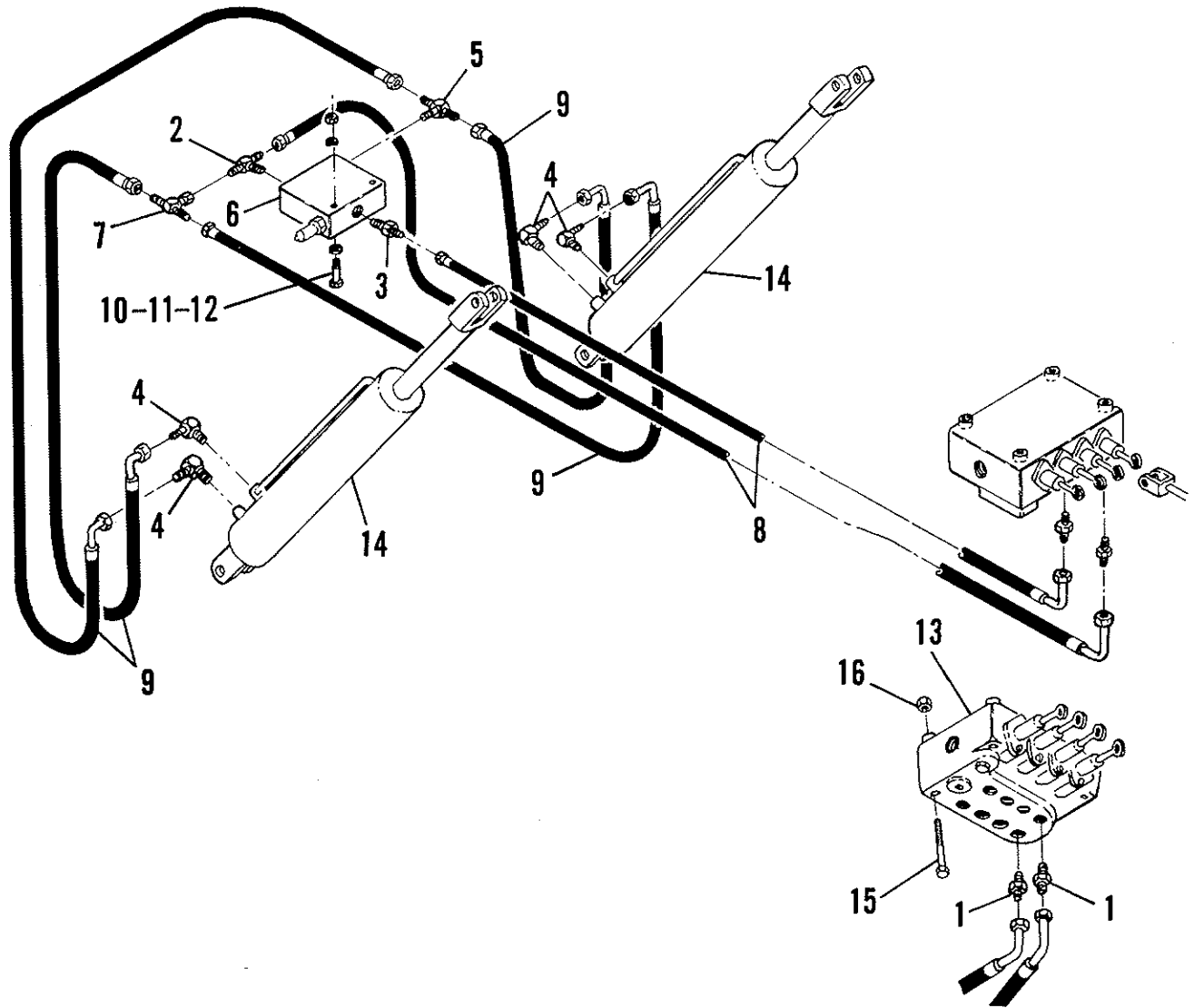
REF. NO.	NO. REQ'D	PART NUMBER	DESCRIPTION
1	2	0300044	CONNECTOR, 1/2" SAE "O" RING X 1/2" J.I.C.
2	1	0300090	MOTOR, CHAR-LYNN HYD.
3	2	0300229	ELBOW, 8MJ-8MP90
4	2	0301893	HOSE, WINCH MOTOR
5	REF.	0302936	WINCH ASSEMBLY, RAMSEY(LESS MOTOR)
6	3	0400140	SCREW, 3/8"-16X4" HEX. HD. CAP, GR5-ZP
7	2	0400196	SCREW, 1/2"-13X1-1/4" SKT. HD. CAP
8	3	0400392	NUT, 3/8"-16 NYLOCK HEX.-ZP
9	2	0400491	WASHER, 1/2" HELICAL LOCK-ZP
10	1	0302960	VALVE ASS'Y, SALAMI 4 SPOOL

Section IX - PARTS - WINCH HYDRAULICS - 212



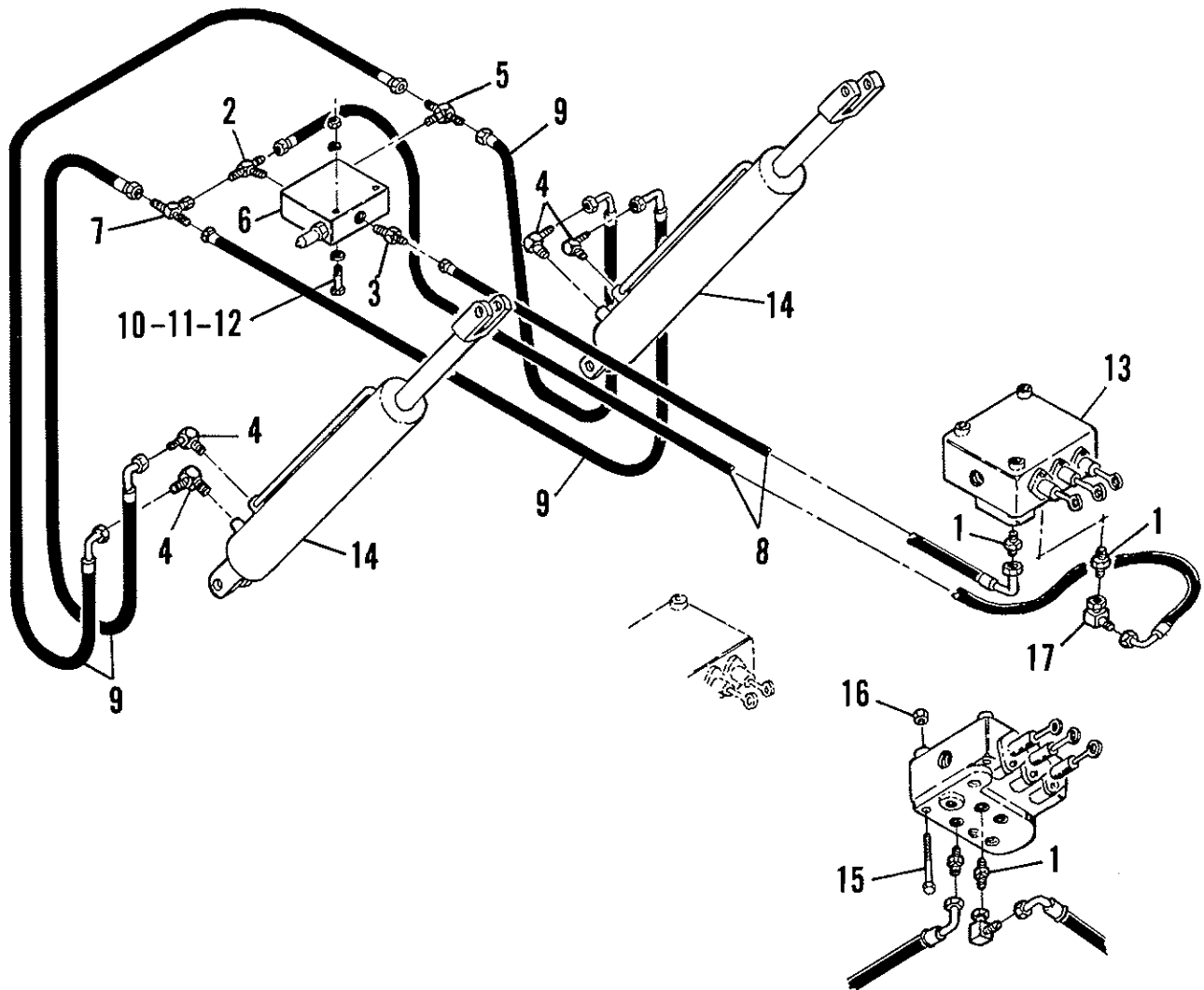
REF. NO.	NO. REQ'D	PART NUMBER	DESCRIPTION
1	4	0300044	CONNECTOR, 1/2" SAE "O" RING X 1/2" J.I.C.
2	2	0300090	MOTOR, CHAR-LYNN HYD.
3	4	0300229	ELBOW, 8MJ-8MP90
4	4	0301893	HOSE, WINCH MOTOR
5	REF.	0302936	WINCH ASS'Y, RAMSEY (LESS MOTOR)
6	REF.	0302937	WINCH ASS'Y, RAMSEY (LESS MOTOR)
7	3	0400140	SCREW, 3/8"-16 X 4" HEX. HD. CAP. GR5-ZP
8	4	0400196	SCREW, 1/2"-13 X 1-1/4" SKT. HD. CAP
9	3	0400392	NUT, 3/8"-16 NYLOK HEX. -ZP
10	4	0400491	WASHER, 1/2" HELICAL LOCK-ZP
11	1	0300010	VALVE ASS'Y, 3 SPOOL
12	4	0301696	ELBOW 90°

Section IX - PARTS - BOOM ELEVATION HYDRAULIC-211



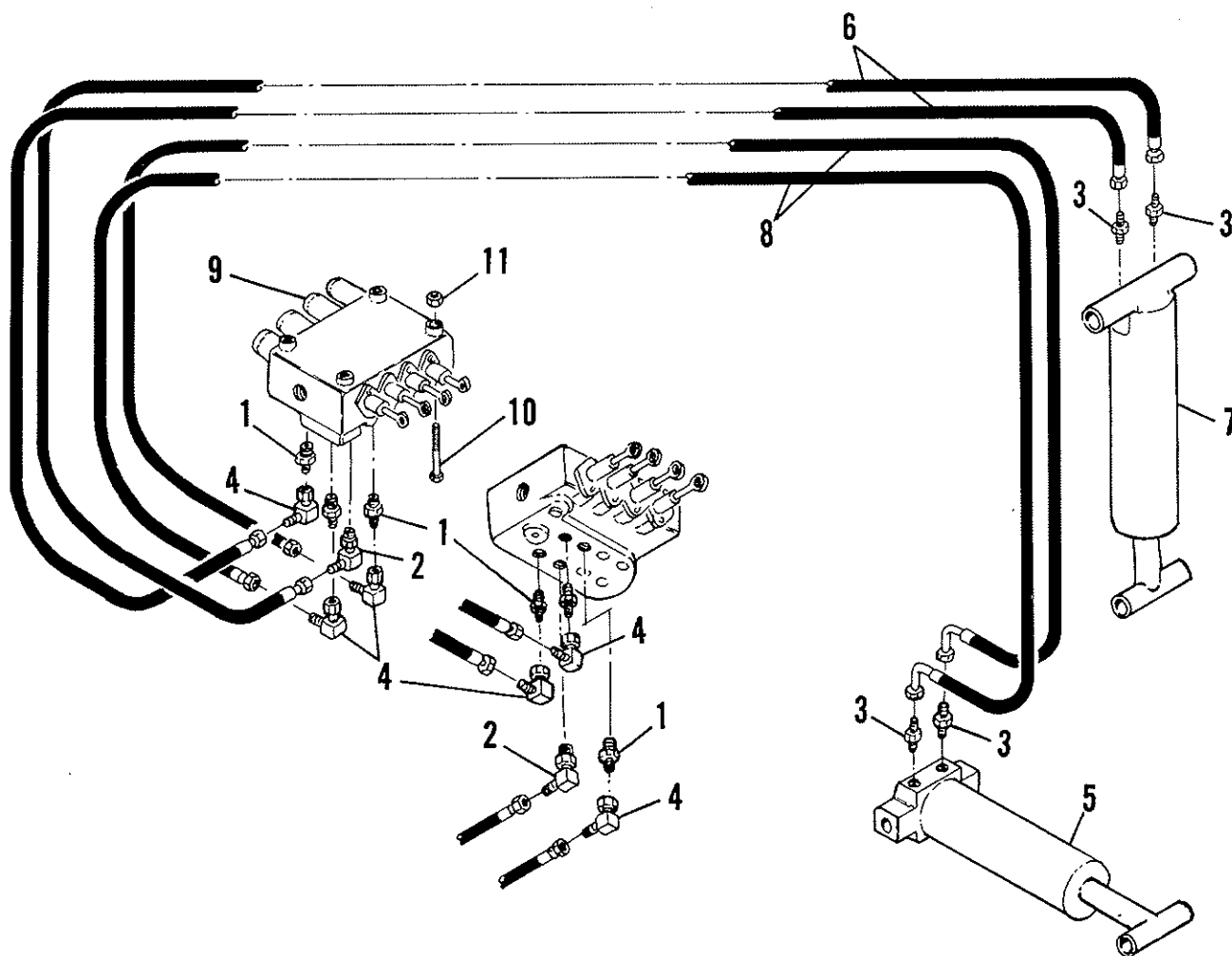
REF. NO.	NO. REQ'D	PART NUMBER	DESCRIPTION
1	2	0300044	CONNECTOR, "O" RING
2	1	0300206	TEE, BRANCH (845-FS-06 X 04)
3	1	0301425	CONNECTOR, MALE
4	4	0301620	ELBOW, "O" RING 90°
5	1	0301855	TEE, MALE
6	1	0302476	VALVE, HOLDING
7	1	0302573	TEE (6MJ-6FTX)
8	2	0302909	HOSE ASSEMBLY, 36"
9	4	0302926	HOSE ASSEMBLY, 4M2T-29"
10	2	0400078	SCREW, 1/4"-20 X 2" HEX. HD. CAP. GR5-ZP
11	2	0400367	NUT, 1/4"-20 HEX. NYLOK - ZP
12	4	0400451	WASHER, 1/4" FLAT - ZP
13	1	0302960	VALVE ASS'Y, SALAMI 4 SPOOL
14	REF.	IT-27B	BOOM CYLINDER, ELEVATION
15	3	0400140	SCREW, 3/8"-16 X 4" HEX. HD. CAP. GR5-ZP
16	3	0400392	NUT, 3/8"-16 NYLOK HEX. - ZP

Section IX - PARTS - BOOM ELEVATION HYDRAULIC - 212



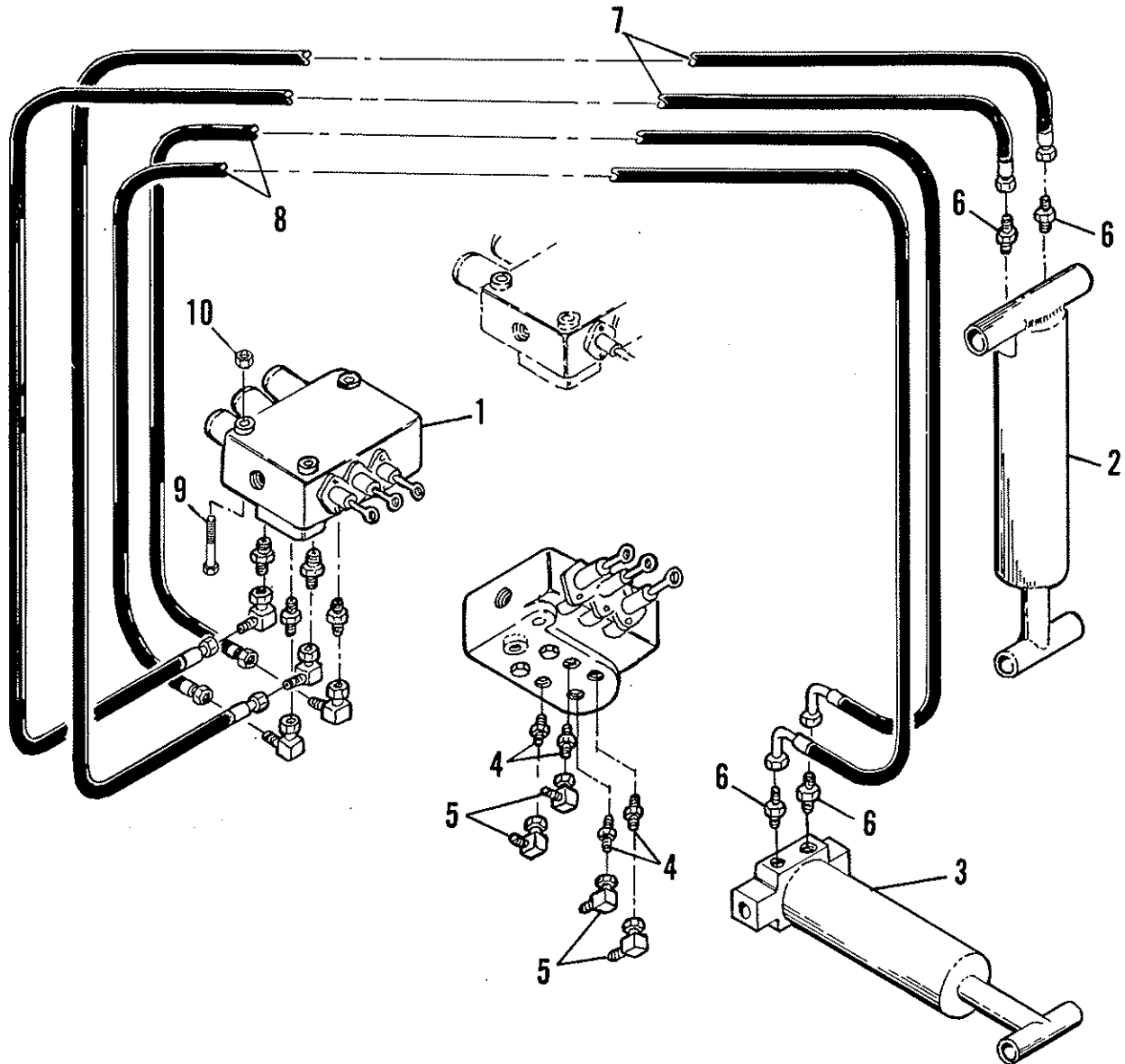
REF. NO.	NO. REQ'D	PART NUMBER	DESCRIPTION
1	2	0300044	CONNECTOR, "O" RING
2	1	0300206	TEE, BRANCH (845-FS-06 X 04)
3	1	0301425	CONNECTOR, MALE
4	4	0301620	ELBOW, "O" RING 90°
5	1	0301855	TEE, MALE
6	1	0302476	VALVE, HOLDING
7	1	0302573	TEE (6MJ-6FT X)
8	2	0302909	HOSE ASSEMBLY, 36"
9	4	0302926	HOSE ASSEMBLY, 4M2T-29"
10	2	0400078	SCREW, 1/4"-20 X 2" HEX. HD. CAP. GR5-ZP
11	2	0400367	NUT, 1/4"-20 HEX. NYLOK-ZP
12	4	0400451	WASHER, 1/4" FLAT-ZP
13	1	0300010	VALVE ASS'Y, 3 SPOOL
14	REF.	IT-27B	BOOM CYLINDER, ELEVATION
15	3	0400140	SCREW, 3/8"-16 X 4" HEX. HD. CAP. GR5-ZP
16	3	0400392	NUT, 3/8"-16 NYLOK HEX.-ZP
17	1	0301696	ELBOW 90°

Section IX - PARTS - UNDERLIFT HYDRAULICS - 211



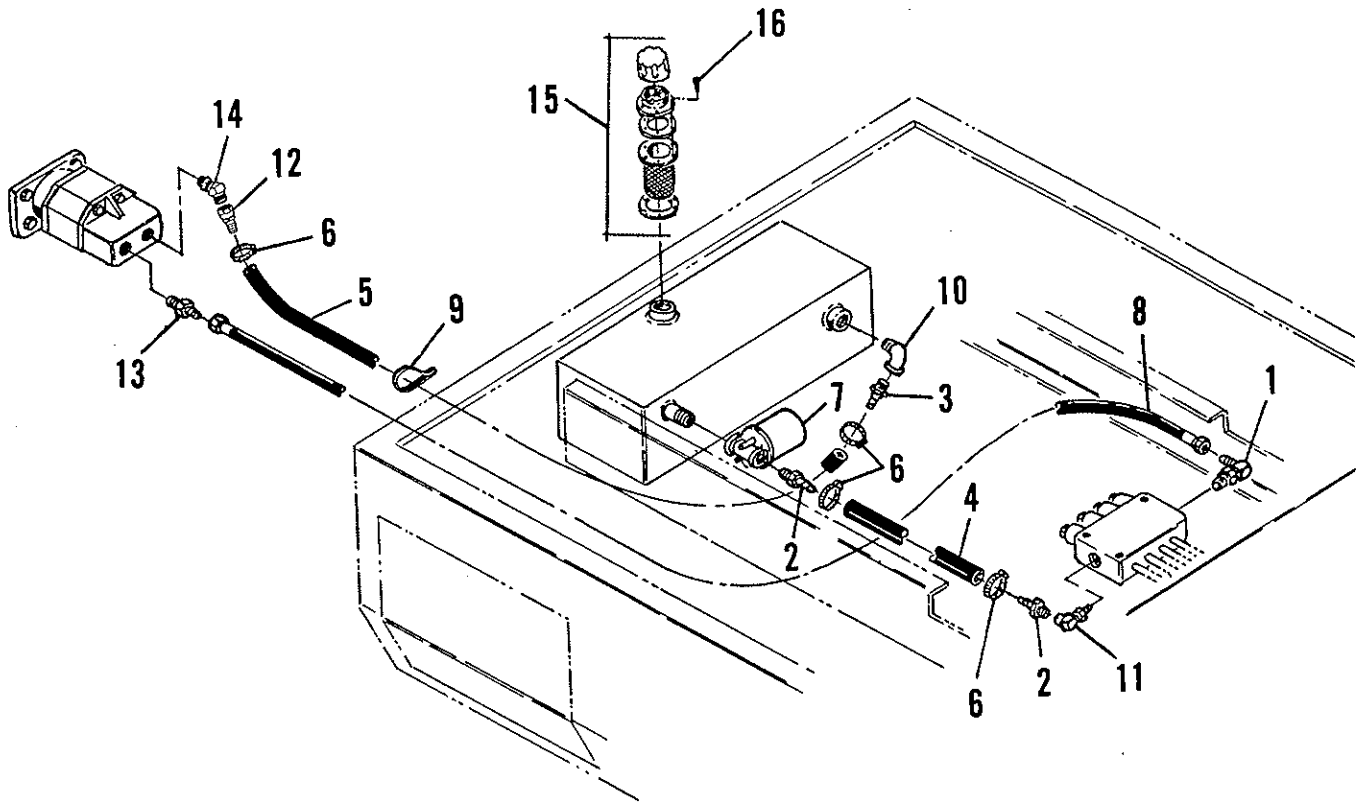
REF. NO.	NO. REQ'D	PART NUMBER	DESCRIPTION
1	3	0300044	CONNECTOR "O" RING
2	1	0300052	ELBOW, "O" RING 90°
3	4	0301522	CONNECTOR, STRAIGHT "O" RING
4	3	0301696	ELBOW 90°
5	1	0301825	CYLINDER, EXTEND
6	2	0301921	HOSE ASSEMBLY, 128"
7	1	0302919	CYLINDER, FOLD
8	2	0302922	HOSE ASSEMBLY, 170"
9	1	0902960	VALVE ASS'Y, SALAMI 4 SPOOL
10	3	0400140	SCREW, 3/8"-16X4" HEX. HD. CAP. GR5-ZP
11	3	0400392	NUT, 3/8"-16 NYLOK HEX. ZP

Section IX - PARTS-UNDERLIFT HYDRAULICS - 212



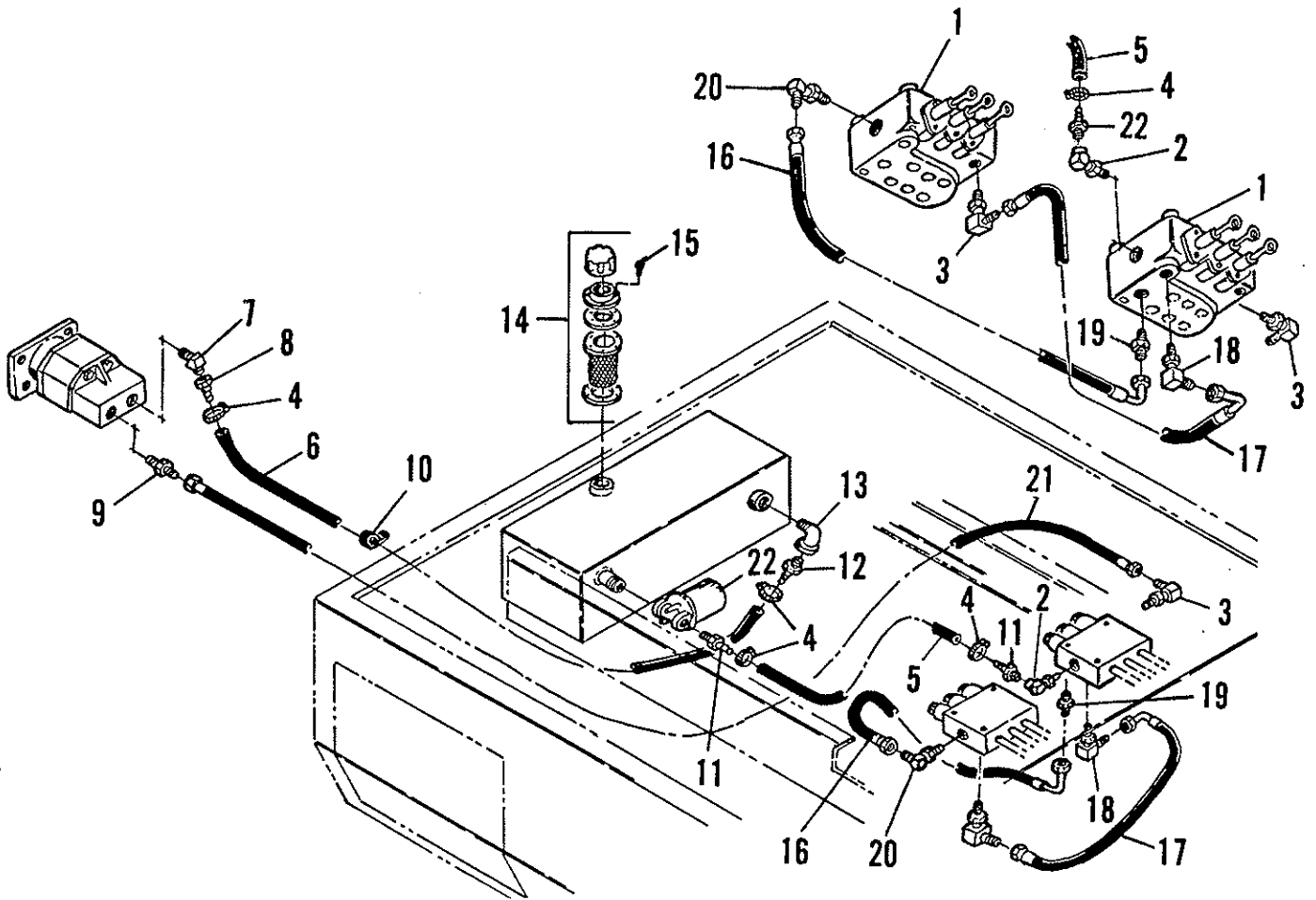
REF. NO.	NO. REQ'D	PART NUMBER	DESCRIPTION
1	1	0300010	VALVE ASSEMBLY, 3 SPOOL
2	1	0302919	CYLINDER, FOLD
3	1	0301825	CYLINDER, EXTEND
4	4	0300044	CONNECTOR "O" RING
5	4	0301696	ELBOW 90°
6	4	0301522	CONNECTOR, STRAIGHT "O" RING
7	2	0301921	HOSE ASSEMBLY, 128"
8	2	0302922	HOSE ASSEMBLY, 170"
9	3	0400140	SCREW, 3/8"-14 X 4" HEX. HD. CAP. GR5-ZP
10	3	0400392	NUT, 3/8" - 16 NYLOK HEX. ZP

Section IX - PARTS - PUMP & RESERVOIR HYDRAULICS -211



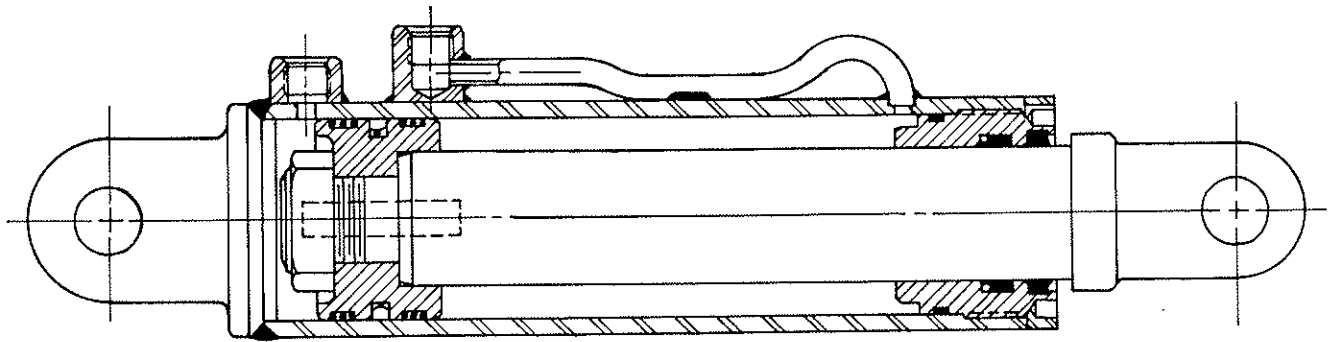
REF. NO.	NO. REQ'D	PART NUMBER	DESCRIPTION
1	1	0300052	ELBOW, "O" - RING 90°
2	2	0300055	BARB, 3/4" HOSE X 3/4" NPT
3	1	0300056	BARB, 1" NPT
4	33"	0300057	HOSE, 3/4" RETURN
5	9 FT.	0300058	HOSE, 1" SUCTION
6	4	0300071	CLAMP, 1" HOSE
7	1	0300136	FILTER, RETURN LINE
8	1	0300165	HOSE ASSEMBLY, FJX
9	1	0300188	CLAMP, 1" INSULATED HOSE
10	1	0300692	ELBOW-1"-90° STREET
11	1	0301375	ELBOW, 90° "O" RING
12	1	0301767	HOSE BARB, 1" HOSE (MALE) X JIC (FEMALE)
13	1	0302757	CONNECTOR, HYD. 8MJ-16MB
14	1	0302761	CONNECTOR, HYD. 16MJ-16MB45
15	1	0305006	CAP ASSEMBLY, FILLER
16	6	0400045	SCREW, #10-32X1/2" THRD CUT R.H. PHIL-SS

Section IX - PARTS-PUMP & RESERVOIR HYDRAULICS - 212



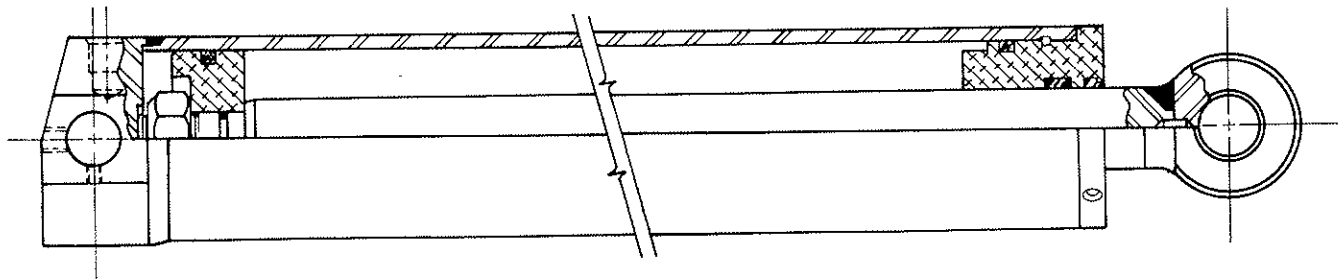
REF. NO.	NO. REQ'D	PART NUMBER	DESCRIPTION
1	1	0902905	VALVE ASSEMBLY, 3 SPOOL
2	1	0301375	ELBOW 90° "O" RING
3	2	0300052	ELBOW, 90° "O" RING
4	4	0300071	CLAMP, 1" HOSE
5	30 "	0300057	HOSE, 3/4" RETURN
6	9 FT.	0300058	HOSE, 1" SUCTION
7	1	0302761	CONNECTOR, HYD. 16MJ-16MB45
8	1	0301767	HOSE BARB, 1" HOSE (MALE)X1" JIC (FEMALE)
9	1	0302757	CONNECTOR, HYD. BMJ-16MB
10	1	0300188	CLAMP, 1" INSULATED HOSE
11	2	0300055	BARB, 3/4" HOSE X 3/4" NPT
12	1	0300056	BARB, 1" NPT
13	1	0300692	ELBOW, 1" - 90° STREET
14	1	0305006	CAP ASSEMBLY, FILLER
15	6	0400045	SCREW, #10-32X1/2" THRD, CUT. R.H. PHIL-SS
16	1	0301471	HOSE ASSEMBLY
17	1	0301790	HOSE ASSEMBLY
18	1	0301388	ELBOW, 90°-1/2" SAE X 1/2" JIC
19	1	0301780	CONNECTOR, "O" RING
20	1	0301547	ELBOW, 90° "O" RING
21	1	0300165	HOSE ASSEMBLY, FJX
22	1	0300136	FILTER, RETURN LINE

Section IX - PARTS - HYDRAULIC CYLINDERS



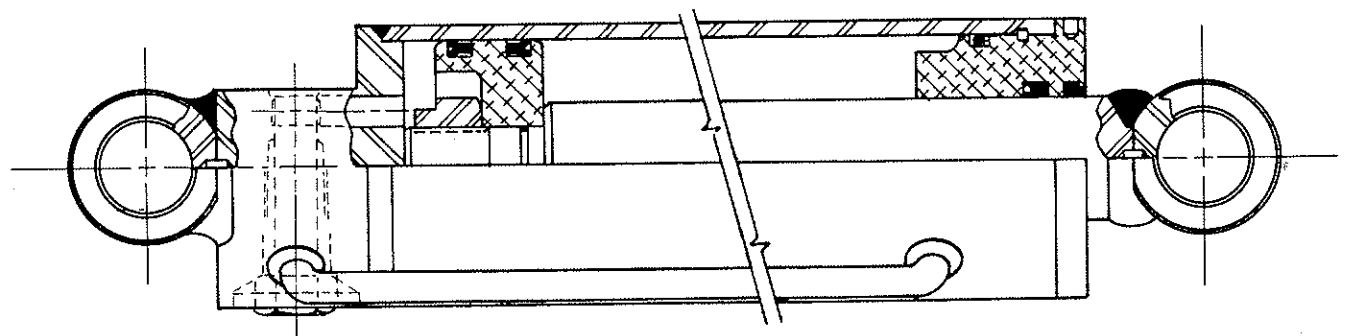
WRECKER BOOM ELEVATION CYLINDER

REF. NO.	NO. REQ'D	PART NUMBER	DESCRIPTION
1	2	IT-27B	BOOM CYLINDER, ELEVATION (COMPLETE)
2	1	IT-97	SEAL KIT, CYLINDER ELEVATION



UNDERLIFT EXT./RET. CYLINDER

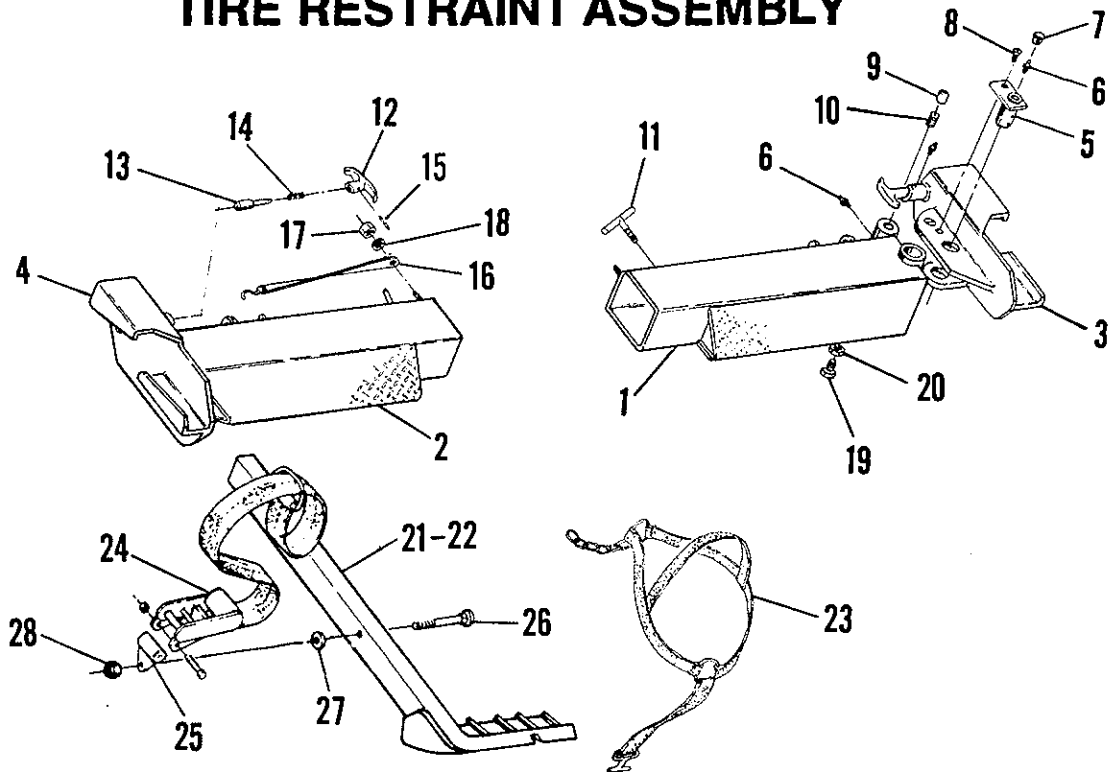
REF. NO.	NO. REQ'D	PART NUMBER	DESCRIPTION
1	1	0301825	UNDERLIFT CYLINDER EXTEND (COMPLETE)
2	1	0304086	SEAL KIT, EXTEND CYLINDER



UNDERLIFT FOLD CYLINDER

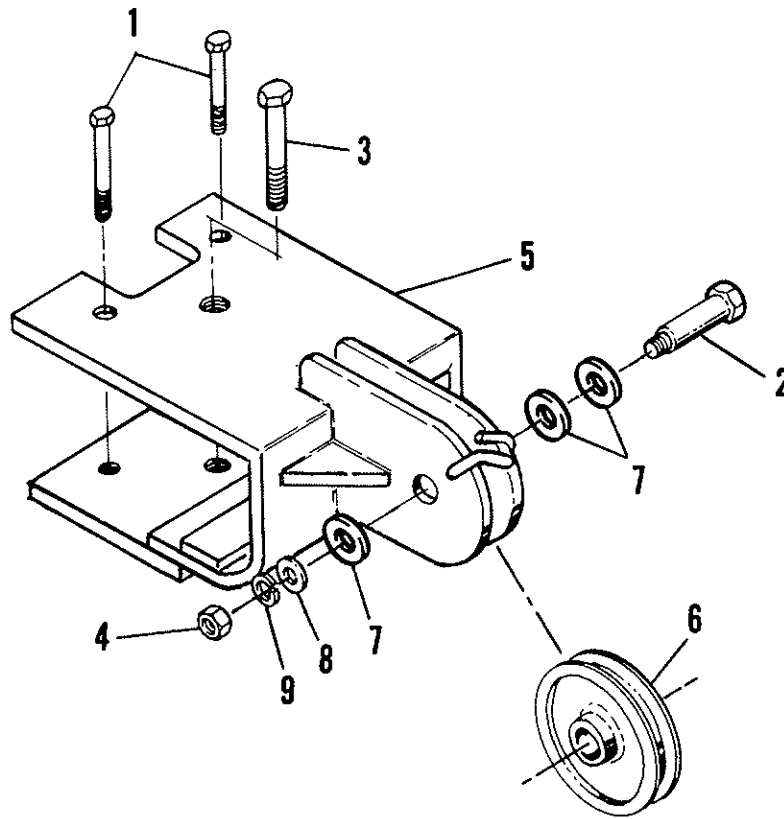
REF. NO.	NO. REQ'D	PART NUMBER	DESCRIPTION
1	1	0302919	UNDERLIFT FOLD CYLINDER (COMPLETE)
2	1	0300830	SEAL KIT, UNDERLIFT FOLD CYLINDER

Section IX - PARTS-OUTER CROSS TUBE & SLIDE-IN TIRE RESTRAINT ASSEMBLY



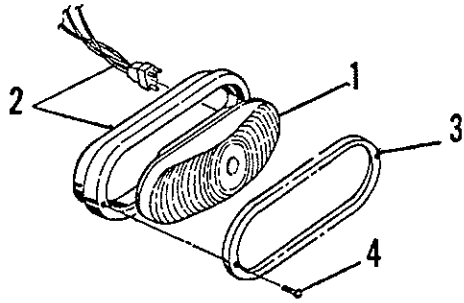
REF. NO.	NO. REQ'D.	PART NUMBER	DESCRIPTION
1	1	0802676	CROSS TUBE-OUTER-R.H.
2	1	0802675	CROSS TUBE, OUTER-L.H.
3	1	0802680	END PLATE WLD.-R.H.
4	1	0802679	END PLATE WLD.-L.H.
5	2	0802187	SHAFT, PIVOT
6	6	0300113	GREASE FITTING, ALEMITE
7	2	0302640	PLUG, DRY-OUT HOLE
8	2	0400223	SCREW, SOCKET-FLAT HD. 3/8"-16 X 3/4"
9	2	0708914	PIN, DETENT
10	2	0302642	SPRING, PIVOT LOCK
11	2	0800590	TEE HANDLE
12	2	0302648	"T" HANDLE
13	2	0707505	PIN, PLUNGER
14	2	0302641	SPRING, PLUNGER PIN
15	2	0400560	PIN, ROLL, 5/32" X 1" ZP
16	2	0301956	STRAP, 9" RUBBER
17	2	0400367	NUT, HEX., NYLOCK ZP 1/4"-20
18	2	0400451	FLATWASHER, 1/4" ZP
19	2	0400218	SCREW, CAP-HEX. HD. 1/2"-20 X 1-1/4"
20	2	0400412	NUT, JAM-HEX. 1/2"-20 ZP
21	1	0802642	TIRE RESTRAINT-L.H.
22	1	0802643	TIRE RESTRAINT-R.H.
23	2	0902382	1" NYLON POLY-COAT STRAP (OPT.)
24	2	0301399	STRAP, TIE DOWN W/RATCHET (OPT.)
25	2	0800583	PIVOT, TIE DOWN (OPT.)
26	2	0400161	BOLT, 3/8"-16 X 2-3/4" GR. 8 PL, CARRIAGE (OPT.)
27	2	0400480	WASHER, 3/8" FLAT PL. (OPT.)
28	2	0400390	NUT, 3/8"-16 ESLOK JAM

Section IX - PARTS-CROSSTUBE CABLE ADAPTOR ASSEMBLY



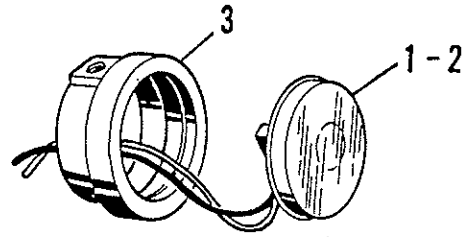
REF. NO.	NO. REQ'D	PART NUMBER	DESCRIPTION
1	2	0400220	SCREW, 1/2"-13 X 5.5" HEX. HD. CAP, GR5 ZP
2	1	0400277	SHOULDER BOLT, 5/8"-11, 3/4" X 1.5", SKHD
3	1	0400294	SCREW, 3/4"-10 X 6.5" HEX. HD. CAP, GR5 ZP
4	1	0400421	NUT, 5/8"-11 NYLOK HEX
5	1	0802547	ADAPTOR, WINCH CABLE
6	1	AWS-4013-A	SHEAVE, 5"
7	3	0400510	FLATWASHER, 3/4" ZP
8	1	0400506	FLATWASHER, 5/8" ZP
9	1	0400508	LOCKWASHER, 5/8" HELICAL-ZP

Section IX-PARTS-LIGHT KIT



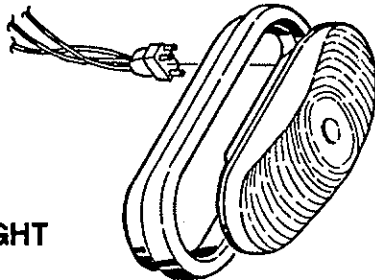
STOP & TURN LIGHT

- | | |
|---------------------------|---------|
| 1. LENS & BULB ASSY | 0304125 |
| 2. GROMMET & PLUG KIT | 0304126 |
| 3. CHROME BEZEL | 0304124 |
| 4. BEZEL MTG. SCREW | 0304123 |
| 5. LIGHT, TURN (COMPLETE) | 0301390 |



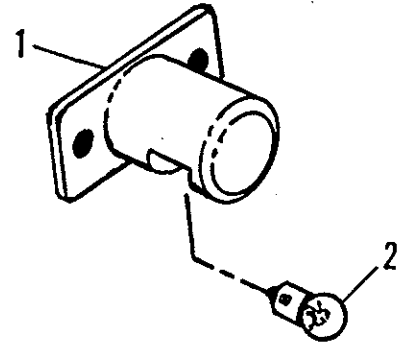
MARKER LIGHTS-RED & AMBER

- | | |
|---------------------------------|---------|
| 1. LENS & BULB, RED MARKER | 0301741 |
| 2. LENS & BULB, AMBER MARKER | 0301742 |
| 3. GROMMET & PLUG, MARKER LIGHT | 0301740 |



BACK-UP LIGHT

- | | |
|-------------------------|---------|
| 1. LIGHT, BACK-UP (CPL) | 0302201 |
|-------------------------|---------|



LICENSE PLATE ILLUMINATOR

- | | |
|-------------------------------|---------|
| 1. LICENSE PLATE ILLUM. (CPL) | 0300273 |
| 2. BULB, LICENSE PLATE ILLUM. | 0300512 |

