

CENTURY®

LEGENDARY LEADERSHIP



OWNER'S MANUAL MODULAR 400 / 600

PARTS

NOTE: MANUAL including SPECIFICATIONS, subject to change without notice
All ratings specified are based on structural factors only,
not vehicle capacities or capabilities.

CENTURY®

Miller Industries Towing Equipment Inc.
8503 Hilltop Drive
Ooltewah, Tennessee 37363

Phone (423) 238-4171 • FAX (423) 238-5371

FORM NO. 0501642
01 / 2009
PRICE \$25.00

LIMITED WARRANTY

MILLER INDUSTRIES TOWING EQUIPMENT INC., hereinafter referred to as MILLER, warrants to the original purchaser that each new MILLER wrecker or other MILLER products will be free from defects in material and workmanship for a period of twelve (12) months from date placed in service, but in no event shall such warranty period exceed twenty-four (24) months from date of manufacture by MILLER. The purchaser must promptly notify MILLER in writing of any failure in material or workmanship. In no event shall MILLER accept such notification later than twenty-four (24) months from date of delivery or twelve (12) months from date placed in service, whichever is earlier.

MILLER's obligation under this warranty, statutory or otherwise, is limited to the repair or replacement at the MILLER factory, or at a point designated by MILLER, of such part or parts as shall appear upon inspection by MILLER to be defective in material or workmanship. New or remanufactured parts will be used for any replacement at MILLER's option. This warranty is not transferable. This warranty does not obligate MILLER to bear the cost of labor or transportation charges in connection with the repair or replacement of any parts found to be defective, nor shall it apply to a product upon which repairs or alterations have been made unless authorized by MILLER.

EXCEPT AS EXPRESSLY SET FORTH IN THIS WARRANTY, MILLER MAKES NO OTHER WARRANTY, EXPRESS OR IMPLIED, AND HEREBY DISCLAIMS ALL OTHER WARRANTIES INCLUDING, BUT NOT LIMITED TO, THE IMPLIED WARRANTIES OF MERCHANTABILITY AND FITNESS FOR A PARTICULAR PURPOSE. MILLER shall in no event be liable for claimed downtime, claimed loss of profits or goodwill, or any other special, incidental, indirect, or consequential damages concerning or relating to any product or parts, whether based on negligence, strict liability, breach of contract, breach of warranty, misrepresentation or any other legal theory, regardless of whether the loss resulted from any general or particular requirement which MILLER knew or had reason to know about at the time of sale.

MILLER MAKES NO WARRANTY, EXPRESS OR IMPLIED, AS TO THE FINISHED PRODUCTS MANUFACTURED OR SUPPLIED BY ANOTHER MANUFACTURER AND SUPPLIED BY MILLER TO PURCHASER, including, but not limited to, any vehicle to which a MILLER product may be affixed or any accessories or wire rope, and MILLER EXPRESSLY DISCLAIMS ANY IMPLIED WARRANTIES OF MERCHANTABILITY OR FITNESS FOR A PARTICULAR PURPOSE AS TO SUCH EQUIPMENT OR PRODUCTS. This language shall in no way affect or diminish the rights of the purchaser to rely on such warranties as are extended by such manufacturers or suppliers. MILLER shall, to the extent permitted under applicable law, pass on to the purchaser such manufacturer's or seller's warranty.

MILLER, whose policy is one of continuous improvement, reserves the right to improve its products through changes in design or materials as it may deem desirable without being obligated to incorporate such changes in products previously sold. This warranty is not intended to cover or include the following items, which are set forth by way of example and not limitation:

- A. Normal deterioration of trim, paint, lettering, and appearance items due to wear or exposure to weather, road conditions, road treatments, etc.
- B. Any damage or defect due to accident, misuse, abuse, improper or unauthorized repairs, failure to provide reasonable and necessary maintenance, or uses for which the equipment was not designed or intended.
- C. Alterations or modifications that affect performance, operation or reliability.
- D. Normal maintenance parts including, but not limited to, wear pads, bushings, wire rope, mud flaps, fenderettes, light bulbs, hydraulic oil, filters, and tow sling belts.

IT IS EXPRESSLY UNDERSTOOD THAT MILLER MAKES NO IMPLIED WARRANTY THAT MILLER PRODUCTS SHALL BE FIT FOR THE PURPOSE OF LIFTING OR MOVING PEOPLE OR FOR ANY OTHER IMPROPER USE.



Miller Industries Towing Equipment Inc.
8503 Hilltop Drive
Ooltewah, Tennessee 37363

Telephone (423) 238-4171

SERIAL NUMBER

OWNER, USER AND OPERATOR:

We appreciate your choice of our wrecker for your application. Our number one priority is user safety which is best achieved by our joint efforts. We feel that you can make a major contribution to safety if you, as the equipment owner and operator:

- 1. Comply with Federal, State, and Local Regulations.**
- 2. Read, Understand, and Follow the Instructions in this Manual.**
- 3. Use Good, Safe Work Practices in a Common Sense Way.**
- 4. Only have Authorized and Trained Operators running the Wrecker.**

TABLE OF CONTENTS

Section I - PARTS

400 SERIES SUBFRAME ASSEMBLY	I-2 thru I-5
600 SERIES SUBFRAME ASSEMBLY	I-6 thru I-9

CARBON STEEL BODY ASSEMBLY	I-10 & I-11
STAINLESS STEEL BODY ASSEMBLY	I-12 & I-13
ALUMINUM BODY ASSEMBLY	I-14 & I-15
COMPOSITE BODY ASSEMBLY	I-16 thru I-19

BOOM ASSEMBLY

411	I-20 thru I-23
412	I-24 thru I-27
601	I-28 thru I-31
602	I-32 thru I-35
611	I-36 thru I-39
612	I-40 thru I-43

BOOM & WINCH HYDRAULICS

411	I-44 & I-45
412	I-46 & I-47
601	I-48 & I-49
602	I-50 & I-51
611	I-52 & I-53
612	I-54 & I-55

FORMULA I WHEEL LIFT ASSEMBLY	I-56 thru I-59
-------------------------------------	----------------

TABLE OF CONTENTS (cont'd)

Section I - PARTS (cont'd)

FORMULA I OUTER CROSSTUBES	I-60 thru I-63	
FORMULA 6500 WHEEL LIFT ASSEMBLY	I-64 thru I-67	
FORMULA 6500 OUTER CROSSTUBES	I-68 thru I-71	
WHEEL LIFT HYDRAULICS		
FORMULA I DUAL 3 SPOOL VALVE	I-72 & I-73	
FORMULA I 3 & 4 SPOOL VALVE	I-74 & I-75	
FORMULA 6500 DUAL 3 SPOOL VALVE	I-76 & I-77	
FORMULA 6500 3 & 4 SPOOL VALVE	I-78 & I-79	
PUMP, VALVE & FILTER HYDRAULICS		
SINGLE WINCH	I-80 thru I-83	
DUAL WINCH	I-84 thru I-87	
CONTROL ASSEMBLY		
SINGLE WINCH	I-88 & I-89	
DUAL WINCH	I-90 & I-91	
WINCH FREESPOOL ASSEMBLY		
411, 412, 601, 602 & 611	I-92	
612	I-93	
BOOM END SWIVEL ASSEMBLY		I-94
400/600 SHIP KITS		I-95 thru I-98

Section I - PARTS

This Section is provided by the manufacturer for the purpose of ordering any component part of the **Century 400/600 Modular** that may be required when part replacement is necessary. Be certain to use only original equipment replacement parts for warranty purposes as well as for keeping your **Century 400/600 Modular** in its original state and optimum operating capacities.

When ordering replacement or spare parts be sure to provide the following information to the manufacturer's **Parts Department**.

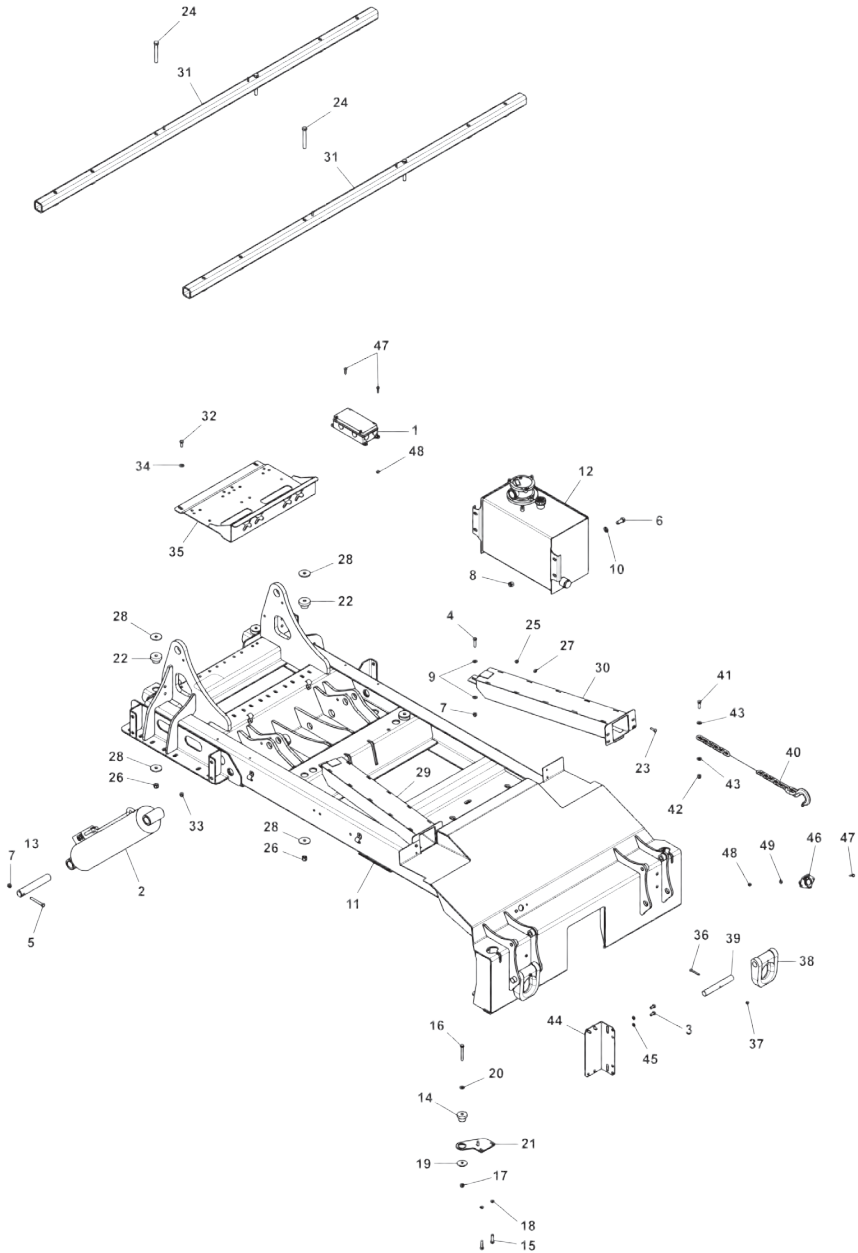
1. **Manual Number & Date of Publication**
2. **Manual Page Number**
3. **Page Title**
4. **Reference Number of Part Desired**
5. **Part Number**
6. **Part Description**
7. **Quantity of Part Desired**

Providing this information will help ensure that the correct parts will be delivered to you in an expedient manner without delay. Should additional information be required for repair or replacement of certain components, contact your Wrecker Manufacturer Authorized Representative.

The Manufacturer reserves the right, without notice or obligation, to improve or modify their products, which may change the specifications, models and feature availability.

Section I - PARTS (cont'd)

400 SERIES SUBFRAME ASSEMBLY



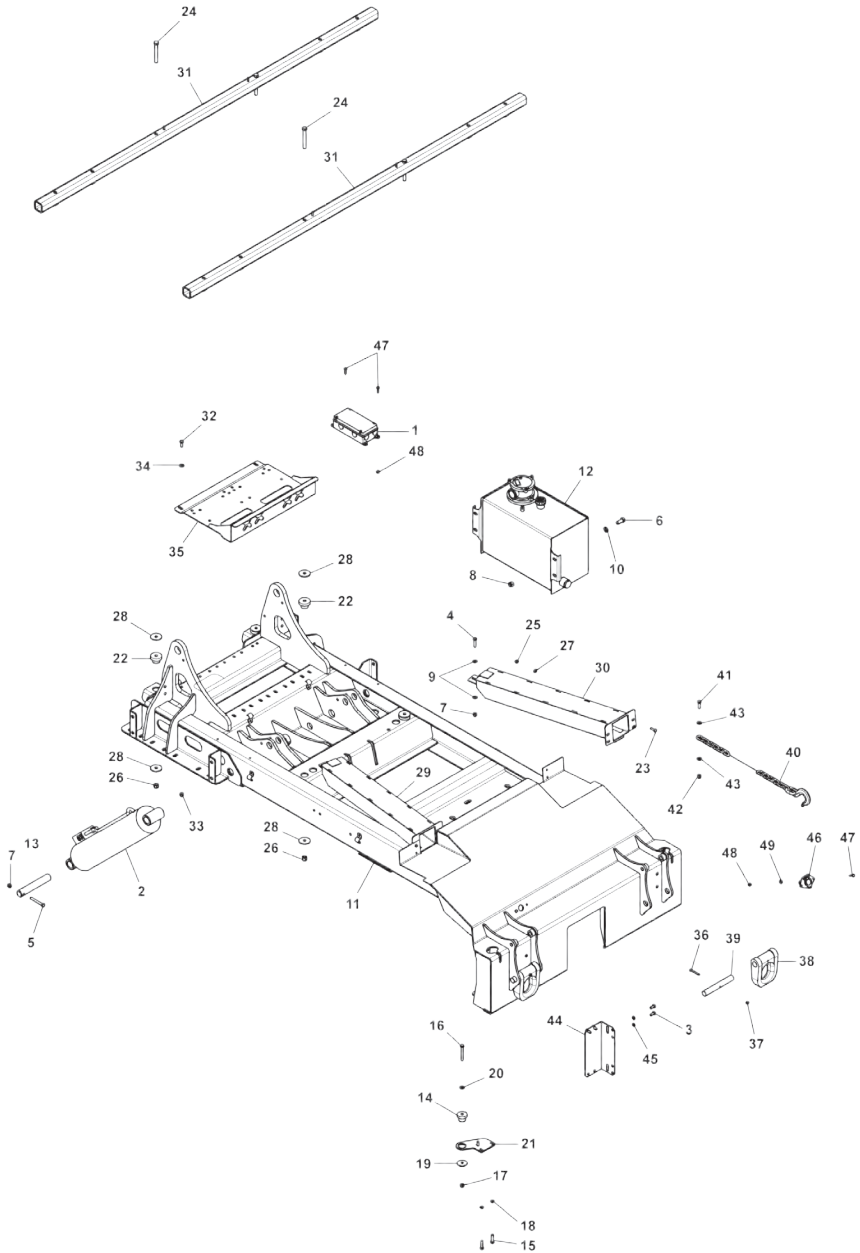
Section I - PARTS (cont'd)

400 SERIES SUBFRAME ASSEMBLY

REF. NO.	NO. REQ'D	PART NUMBER	DESCRIPTION
1	1	0307114	JUNCTION BOX 10 POLE
--	--	0909140	SUBFRAME ASSY - 411/412 FI
2	1	0310137	CYLINDER - BOOM LIFT
3	8	0400121	3/8"-16 X 3/4" HHCS GR5 ZP
4	2	0400132	3/8"-16 X 1 1/2" HHCS GR5 ZP
5	1	0400133	3/8"-16 X 3" HHCS GR5 ZP
6	4	0400177	1/2"-13 X 1 1/4" HHCS GR5 ZP
7	5	0400392	3/8"-16 NYLOK HEX NUT ZINC
8	4	0400408	1/2"-13 NYLOK HEX NUT ZP
9	9	0400480	3/8" FLATWASHER ZP
10	4	0400492	1/2" FLATWASHER ZP
11	1	0807173	SUBFRAME-CENTURY CONVENTIONAL
12	1	0910008	HYDRAULIC TANK ASSY-CONVENTION
13	1	880400005	PIN (BOOM LOWERLIFT CYLINDER)
--	--	--	BODY INSTALL
14	2	0307114	RUBBER MOUNT, TBA 20103
15	6	0400132	3/8"-16 X 1 1/2" HHCS GR5 ZP
16	10	0400133	3/8"-16 X 3" HHCS GR5 ZP
17	12	0400392	3/8"-16 NYLOK HEX NUT ZINC
18	6	0400482	3/8" HELICAL LOCKWASHER ZP
19	2	0400484	WASHER, SPECIAL .406 ID X 1.75 OD
20	2	0402120	3/8" FLATWASHER 316 SS
21	1	0719921	PLATE, BODY/SUBFRAME MOUNTING
	1	0721607	PLATE, BODY/SUBFRAME MOUNTING
--	--	0909146	GENERIC ASSY - 411/412
22	4	0306680	RUBBER "T" MOUNTS LTI 20203
23	8	0400109	5/16"-18 X 1" HHCS GR5 ZP
24	4	0400237	1/2"-13 X 4" HHCS GR5 ZP
25	8	0400382	5/16"-18 NYLOK HEX NUT ZP
26	4	0400408	1/2"-13 NYLOK HEX NUT ZP
27	8	0400463	5/16" FLATWASHER ZP
28	8	0400498	FLATWASHER 1/2 ID X 2 OD X .125

Section I - PARTS (cont'd)

400 SERIES SUBFRAME ASSEMBLY (cont'd)



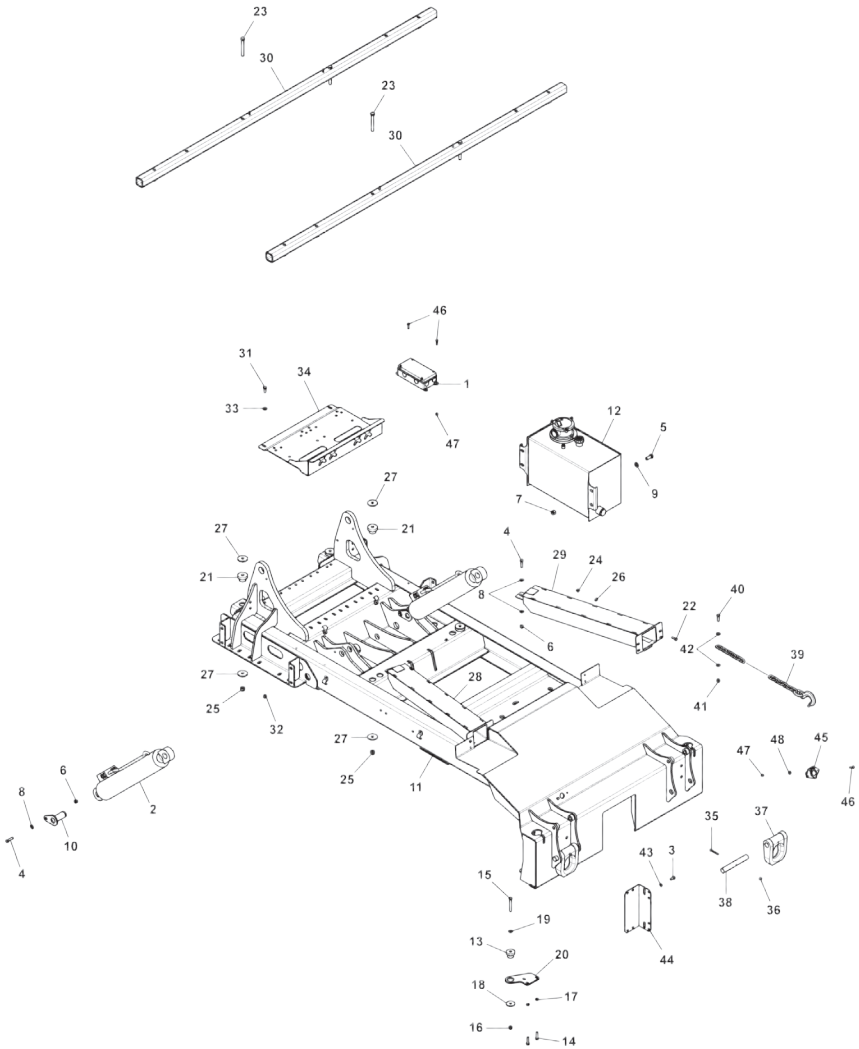
Section I - PARTS (cont'd)

400 SERIES SUBFRAME ASSEMBLY (cont'd)

REF. NO.	NO. REQ'D	PART NUMBER	DESCRIPTION
--	--	0909146	GENERIC ASSY - 411/412 (cont'd)
29	1	0807214	SCOOP STORAGE LH WELDMENT
30	1	0807215	SCOOP STORAGE RH WELDMENT
31	2	0807232	TUBE MOUNTING WELDMENT
--	--	0909137	VALVE PLATE ASSY - SINGLE WINCH
32	4	0400126	3/8"-16 X 1" HHCS GR5 ZP
33	10	0400392	3/8"-16 NYLOK HEX NUT ZINC
34	4	0400480	3/8" FLATWASHER ZP
35	1	0807169	VALVE PAN - CONVENTIONAL CENTURY
--	--	0902842	KIT - "D" RING
36	2	0400078	1/4"-20 X 2" HHCS GR5 ZP
37	2	0400367	1/4"-20 NYLOK HEX NUT ZP
38	2	0712380	RING - D
39	2	BA0259	PIN - "D" RING
--	--	0901420	KIT - SAFETY CHAIN
40	2	0307383	CHAIN ASSY 5/16" G7 X 12'-
41	2	0400122	3/8"-16 X 1 1/4" HHCS GR5 ZP
42	2	0400392	3/8"-16 NYLOK HEX NUT ZINC
43	4	0400480	3/8" FLATWASHER ZP
--	--	0909142	BASIC UNIT ASSY - 411
44	1	0721604	ANGLE, CENTURY CHAIN STORAGE
45	10	0400482	3/8" HELICAL LOCKWASHER ZP
--	--	124001934	4 WAY SOCKET
46	1	0303113	HARNES, 4-POLE SOCKET
--	--	0907280	806, 807, 810 SS BOLT BAG
47	6	0400070	1/4"-20 X 1" HHCS GR5 ZP
48	8	0400367	1/4"-20 NYLOK HEX NUT ZP
49	14	0400451	1/4" FLATWASHER ZP

Section I - PARTS (cont'd)

600 SERIES SUBFRAME ASSEMBLY



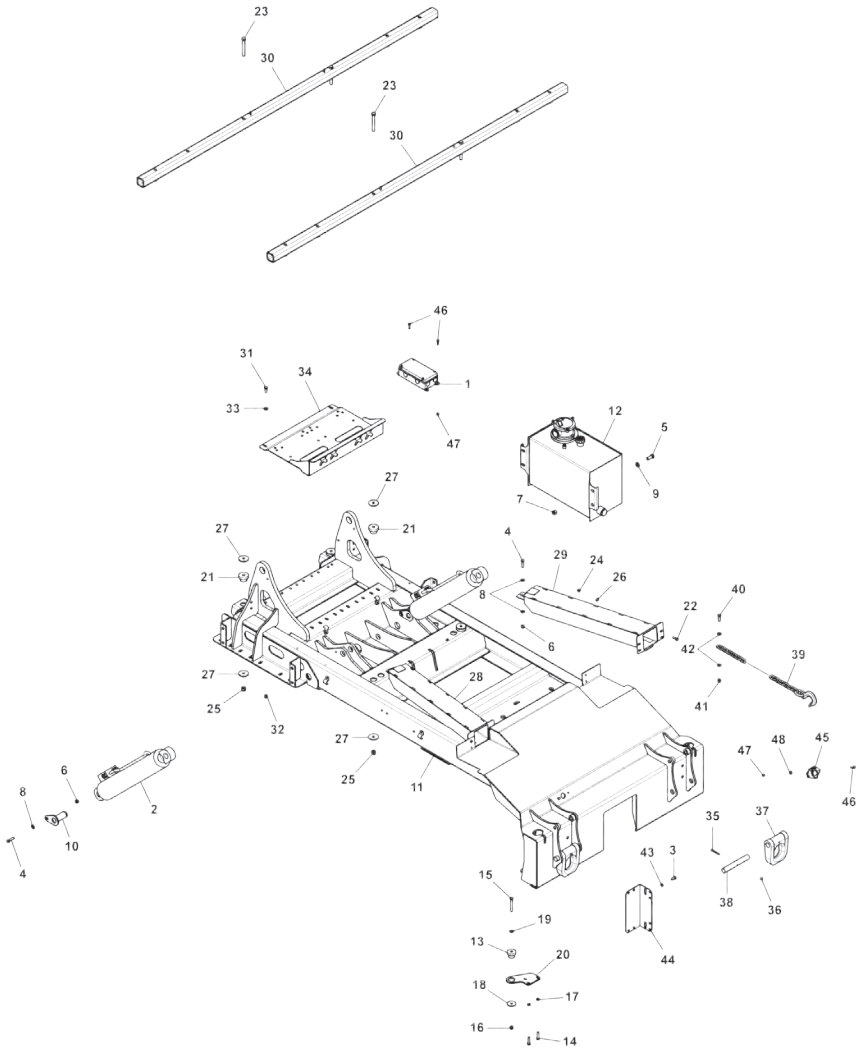
Section I - PARTS (cont'd)

600 SERIES SUBFRAME ASSEMBLY

REF. NO.	NO. REQ'D	PART NUMBER	DESCRIPTION
1	1	0307114	JUNCTION BOX 10 POLE
--	--	--	SUBFRAME ASSEMBLY 600 SERIES F6500
2	2	0307576	CYLINDER - BOOM LIFT (601/602)
	2	0307577	CYLINDER - BOOM LIFT (611/612)
3	8	0400121	3/8"-16 X 3/4" HHCS GR5 ZP
4	4	0400132	3/8"-16 X 1 1/2" HHCS GR5 ZP
5	4	0400177	1/2"-13 X 1 1/4" HHCS GR5 ZP
6	7	0400392	3/8"-16 NYLOK HEX NUT ZINC
7	4	0400408	1/2"-13 NYLOK HEX NUT ZP
8	4	0400480	3/8" FLATWASHER ZP
9	4	0400492	1/2" FLATWASHER ZP
10	2	0806854	PIN WELDMENT
11	1	0807173	SUBFRAME-CENTURY CONVENTIONAL
12	1	0910008	HYDRAULIC TANK ASSY-CONVENTION
--	--	--	BODY INSTALL
13	2	0307114	RUBBER MOUNT, TBA 20103
14	6	0400132	3/8"-16 X 1 1/2" HHCS GR5 ZP
15	10	0400133	3/8"-16 X 3" HHCS GR5 ZP
16	12	0400392	3/8"-16 NYLOK HEX NUT ZINC
17	6	0400482	3/8" HELICAL LOCKWASHER ZP
18	2	0400484	WASHER, SPECIAL .406 ID X 1.75 OD
19	2	0402120	3/8" FLATWASHER 316 SS
20	1	0719921	PLATE, BODY/SUBFRAME MOUNTING (EXCEPT COMPOSITE BODY)
	1	0721607	PLATE, BODY/SUBFRAME MOUNTING (COMPOSITE BODY ONLY)
--	--	--	GENERIC ASSEMBLY
21	4	0306680	RUBBER "T" MOUNTS LTI 20203
22	8	0400109	5/16"-18 X 1" HHCS GR5 ZP
23	4	0400237	1/2"-13 X 4" HHCS GR5 ZP
24	8	0400382	5/16"-18 NYLOK HEX NUT ZP

Section I - PARTS (cont'd)

600 SERIES SUBFRAME ASSEMBLY (cont'd)



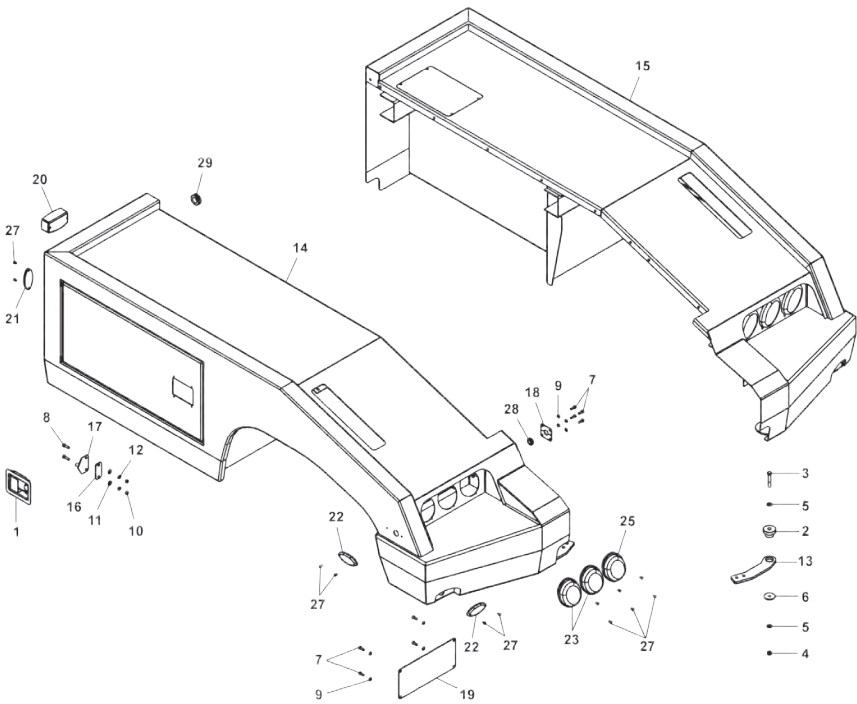
Section I - PARTS (cont'd)

600 SERIES SUBFRAME ASSEMBLY (cont'd)

REF. NO.	NO. REQ'D	PART NUMBER	DESCRIPTION
--	--	--	GENERIC ASSEMBLY (cont'd)
25	4	0400408	1/2"-13 NYLOK HEX NUT ZP
26	8	0400463	5/16" FLATWASHER ZP
27	8	0400498	FLATWASHER 1/2 ID X 2 OD X .125
28	1	0807214	SCOOP STORAGE LH WELDMENT
29	1	0807215	SCOOP STORAGE RH WELDMENT
30	2	0807232	TUBE MOUNTING WELDMENT
32	10	0400392	3/8"-16 NYLOK HEX NUT ZINC
33	4	0400480	3/8" FLATWASHER ZP
34	1	0807169	VALVE PAN - CONVENTIONAL CENTURY
--	--	0902842	KIT - "D" RING
35	2	0400078	1/4"-20 X 2" HHCS GR5 ZP
36	2	0400367	1/4"-20 NYLOK HEX NUT ZP
37	2	0712380	RING - D
38	2	BA0259	PIN - "D" RING
--	--	0901420	KIT - SAFETY CHAIN
39	2	0307383	CHAIN ASSY 5/16 G7 X 12'-
40	2	0400122	3/8"-16 X 1 1/4" HHCS GR5 ZP
41	2	0400392	3/8"-16 NYLOK HEX NUT ZINC
42	4	0400480	3/8" FLATWASHER ZP
--	--	--	BASIC UNIT ASSEMBLY
43	10	0400482	3/8" HELICAL LOCKWASHER ZP
44	1	0721604	ANGLE, CENTURY CHAIN STORAGE
--	--	124001934	4 WAY SOCKET
45	1	0303113	HARNES, 4-POLE SOCKET
--	--	0907280	806,807,810 SS BOLT BAG
46	6	0400070	1/4"-20 X 1" HHCS GR5 ZP
47	8	0400367	1/4"-20 NYLOK HEX NUT ZP
48	14	0400451	1/4" FLATWASHER ZP

Section I - PARTS (cont'd)

CARBON STEEL BODY ASSEMBLY



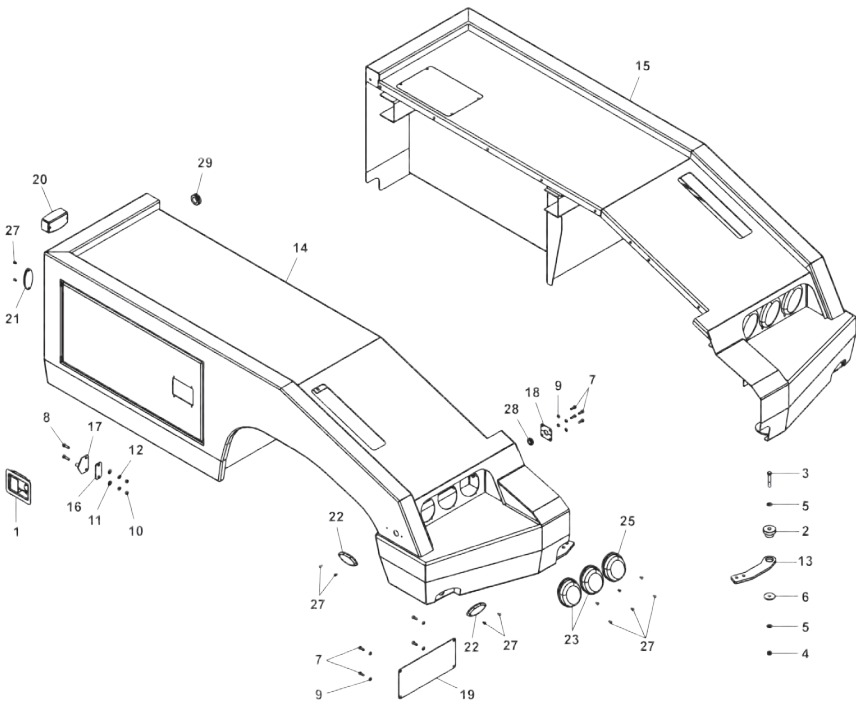
Section I - PARTS (cont'd)

CARBON STEEL BODY ASSEMBLY

REF. NO.	NO. REQ'D	PART NUMBER	DESCRIPTION
--	--	0909123	BODY INSTALL CARBON STEEL MODULAR
1	2	0303120	LATCH PADDLE W/GASKET
2	2	0307114	RUBBER MOUNT, TBA 20103
3	6	0400132	3/8"-16 X 1 1/2" HHCS GR5 ZP
4	2	0400392	3/8"-16 NYLOK HEX NUT ZINC
5	2	0400480	3/8" FLAT WASHER ZP
6	2	0400484	WASHER, SPECIAL 13/32" ID X 1 3/4" OD
7	10	0402020	1/4"-20NC X 3/4" HEX HD SS
8	18	0402032	5/16"-18NC X 1" HHCS 8-18 SS
9	10	0402111	1/4" SS LOCKWASHER 316
10	18	0402116	5/16"-18NC X 1" HEX NYLOK SS
11	41	0402117	5/16" FLAT WASHER 316SS
12	30	0402118	5/16" HELICAL LOCKWASHER SS
13	2	0719921	PLATE, BODY/SUBFRAME MOUNTING
14	1	0807274	BODY, LH SS W/ HELLA LIGHTS
15	1	0807275	BODY, RH SS W/ HELLA LIGHTS
16	2	945400518	WASHER PLATE PL - STRIKE
17	2	945400800	STRIKER PIN WELDMENT PLATE
--	--	0909124	BODY SHIP KIT - CARBON STEEL
18	4	0719710	PLATE, SPLIT HARNESS ALUMINUM
19	2	0721514	PLATE, TAIL LIGHT INSPECT COVER
20	2	9025049	INTERIOR & COMPARTMENT LIGHT W/SWITCH
--	--	0910042	KIT, LIGHT CS, SS, ALUMINUM CONVENTIONAL
21	2	0310214	LAMP, LED SIDE MARKER (AMBER)
22	4	0310215	LAMP, LED SIDE MARKER (RED)
23	2	0310353	LIGHT, AGROLUN LH STOP/TAIL RED
24	2	0310354	LIGHT, AGROLUN RH STOP/TAIL RED
25	1	0310355	LIGHT, AGROLUN LH BACK-UP, CLEAR
26	1	0310356	LIGHT, AGROLUN RH BACK-UP, CLEAR
27	24	0400035	10-24 X 1/2" OVAL HD SS TYPE F
28	2	9032053	GROMMET, RUBBER MCMMASTER 5/8" X 1/8"
29	2	GV57	RUBBER - GROMMET, ATLANTIC

Section I - PARTS (cont'd)

STAINLESS STEEL BODY ASSEMBLY



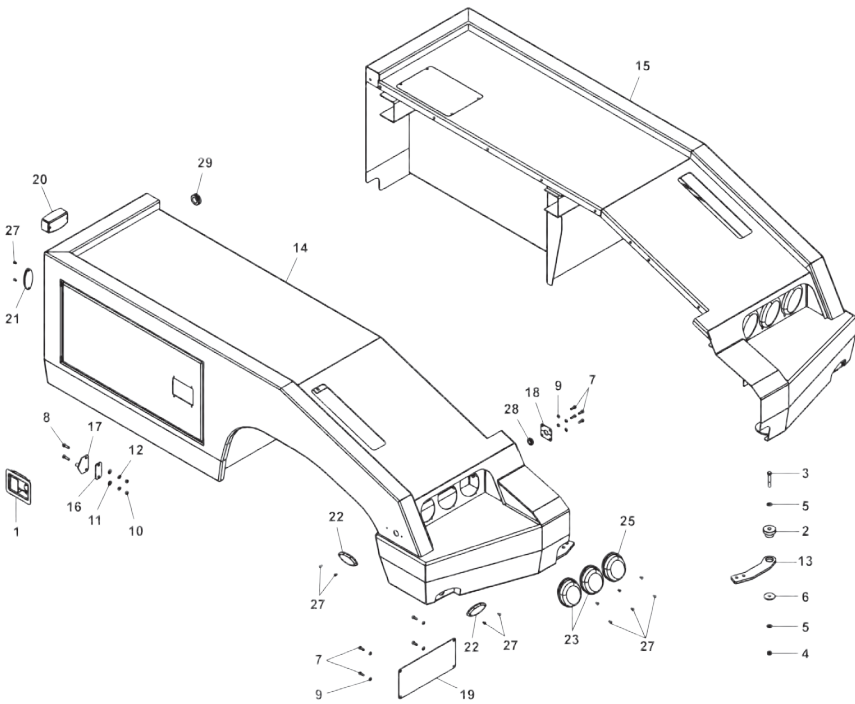
Section I - PARTS (cont'd)

STAINLESS STEEL BODY ASSEMBLY

REF. NO.	NO. REQ'D	PART NUMBER	DESCRIPTION
--	--	0909173	BODY INSTALL STAINLESS STEEL MODULAR
1	2	0303120	LATCH PADDLE W/GASKET
2	2	0307114	RUBBER MOUNT, TBA 20103
3	6	0400132	3/8"-16 X 1 1/2" HHCS GR5 ZP
4	2	0400392	3/8"-16 NYLOK HEX NUT ZINC
5	2	0400480	3/8" FLAT WASHER ZP
6	2	0400484	WASHER, SPECIAL 13/32" ID X 1 3/4" OD
7	10	0402020	1/4"-20NC X 3/4" HEX HD SS
8	18	0402032	5/16"-18NC X 1" HHCS 8-18 SS
9	10	0402111	1/4" SS LOCKWASHER 316
10	18	0402116	5/16"-18NC X 1" HEX NYLOK SS
11	41	0402117	5/16" FLAT WASHER 316SS
12	30	0402118	5/16" HELICAL LOCKWASHER SS
13	2	0719921	PLATE, BODY/SUBFRAME MOUNTING
14	1	0807276	BODY, LH SS W/ HELLA LIGHTS
15	1	0807277	BODY, RH SS W/ HELLA LIGHTS
16	2	945400518	WASHER PLATE PL - STRIKE
17	2	945400800	STRIKER PIN WELDMENT PLATE
--	--	0909174	BODY SHIP KIT - CARBON STEEL
18	4	0719842	PLATE, SPLIT HARNESS ALUMINUM
19	2	0721515	PLATE, TAIL LIGHT INSPECT COVER
20	2	9025049	INTERIOR & COMPARTMENT LIGHT W/SWITCH
--	--	0910042	KIT, LIGHT CS, SS, ALUMINUM CONVENTIONAL
21	2	0310214	LAMP, LED SIDE MARKER (AMBER)
22	4	0310215	LAMP, LED SIDE MARKER (RED)
23	2	0310353	LIGHT, AGROLUN LH STOP/TAIL RED
24	2	0310354	LIGHT, AGROLUN RH STOP/TAIL RED
25	1	0310355	LIGHT, AGROLUN LH BACK-UP, CLEAR
26	1	0310356	LIGHT, AGROLUN RH BACK-UP, CLEAR
27	24	0400035	10-24 X 1/2" OVAL HD SS TYPE F
28	2	9032053	GROMMET, RUBBER MCMMASTER 5/8" X 1/8"
29	2	GV57	RUBBER - GROMMET, ATLANTIC

Section I - PARTS (cont'd)

ALUMINUM BODY ASSEMBLY



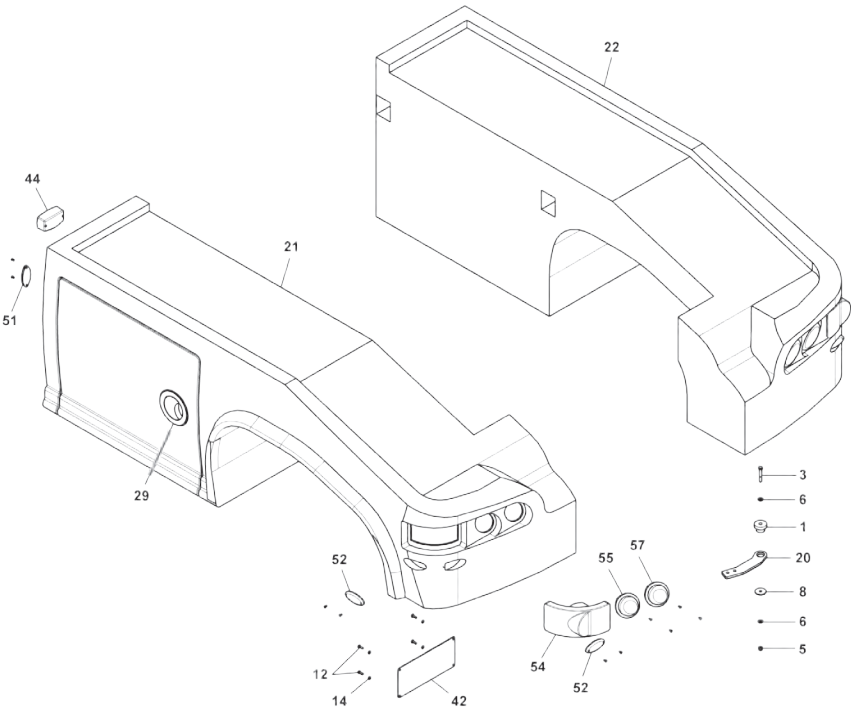
Section I - PARTS (cont'd)

ALUMINUM BODY ASSEMBLY

REF. NO.	NO. REQ'D	PART NUMBER	DESCRIPTION
--	--	0909171	BODY INSTALL ALUMINUM MODULAR
1	2	0303120	LATCH PADDLE W/GASKET
2	2	0307114	RUBBER MOUNT, TBA 20103
3	6	0400132	3/8"-16 X 1 1/2" HHCS GR5 ZP
4	2	0400392	3/8"-16 NYLOK HEX NUT ZINC
5	2	0400480	3/8" FLAT WASHER ZP
6	2	0400484	WASHER, SPECIAL 13/32" ID X 1 3/4" OD
7	10	0402020	1/4"-20NC X 3/4" HEX HD SS
8	18	0402032	5/16"-18NC X 1" HHCS 8-18 SS
9	10	0402111	1/4" SS LOCKWASHER 316
10	18	0402116	5/16"-18NC X 1" HEX NYLOK SS
11	41	0402117	5/16" FLAT WASHER 316SS
12	30	0402118	5/16" HELICAL LOCKWASHER SS
13	2	0719921	PLATE, BODY/SUBFRAME MOUNTING
14	1	0807278	BODY, LH SS W/ HELLA LIGHTS
15	1	0807279	BODY, RH SS W/ HELLA LIGHTS
16	2	945400518	WASHER PLATE PL - STRIKE
17	2	945400800	STRIKER PIN WELDMENT PLATE
--	--	0909172	BODY SHIP KIT - CARBON STEEL
18	4	0719841	PLATE, SPLIT HARNESS ALUMINUM
19	2	0721516	PLATE, TAIL LIGHT INSPECT COVER
20	2	9025049	INTERIOR & COMPARTMENT LIGHT W/SWITCH
--	--	0910042	KIT, LIGHT CS, SS, ALUMINUM CONVENTIONAL
21	2	0310214	LAMP, LED SIDE MARKER (AMBER)
22	4	0310215	LAMP, LED SIDE MARKER (RED)
23	2	0310353	LIGHT, AGROLUN LH STOP/TAIL RED
24	2	0310354	LIGHT, AGROLUN RH STOP/TAIL RED
25	1	0310355	LIGHT, AGROLUN LH BACK-UP, CLEAR
26	1	0310356	LIGHT, AGROLUN RH BACK-UP, CLEAR
27	24	0400035	10-24 X 1/2" OVAL HD SS TYPE F
28	2	9032053	GROMMET, RUBBER MCMMASTER 5/8" X 1/8"
29	2	GV57	RUBBER - GROMMET, ATLANTIC

Section I - PARTS (cont'd)

COMPOSITE BODY ASSEMBLY



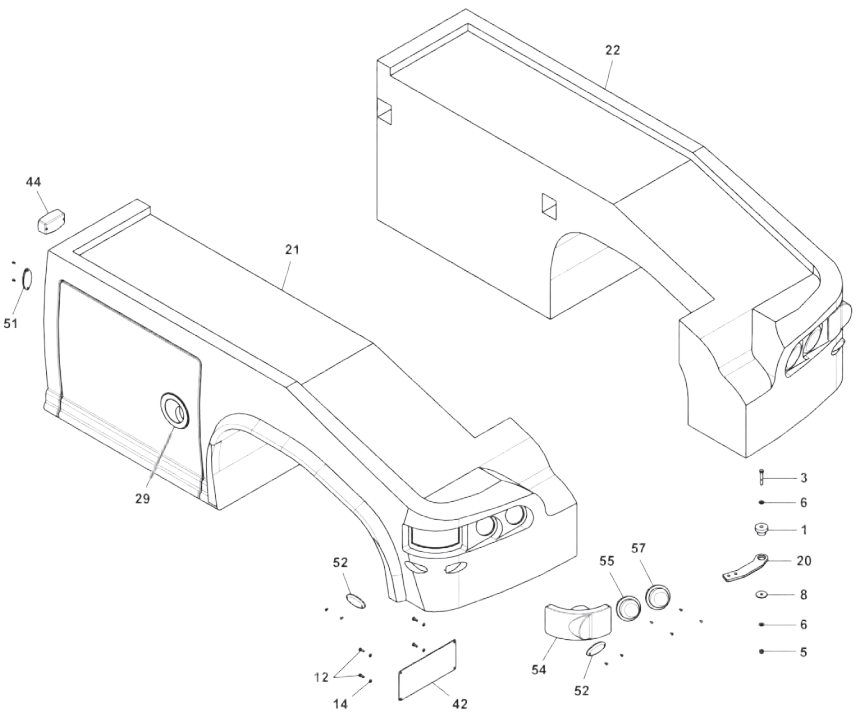
Section I - PARTS (cont'd)

COMPOSITE BODY ASSEMBLY

REF. NO.	NO. REQ'D	PART NUMBER	DESCRIPTION
--	--	--	BODY INSTALL, CONVENTIONAL COMPOSITE
1	2	0307114	RUBBER MOUNT, TBA 20103
2	3	0310326	PAD, RUBBER DECK VIBRATION
3	6	0400132	3/8"-16 X 1-1/2" HHCS GR5 ZP
4	10	0400133	3/8"-16 X 3" HHCS GR5 ZP
5	12	0400392	3/8"-16 NYLOK HEX NUT ZP
6	2	0400480	3/8" FLAT WASHER ZP
7	6	0400482	3/8" HELICAL LOCKWASHER ZP
8	2	0400484	WASHER, SPECIAL .406 ID X 1.75 OD
9	30	0400823	5/16"-18 X 3/4" SS HHCS
10	3	0400824	5/16"-18 X 1-3/4" SS HHCS
11	2	0400825	3/8"-16 X 3/4" SS HHCS
12	10	0402020	1/4"-20NC X 3/4" HEX HD SS
13	18	0402032	5/16"-18NC X 1" HHCS 8-18 SS
14	10	0402111	1/4" SS LOCKWASHER 316
15	18	0402116	5/16"-18NC HEX NYLON LOCKNUT SS
16	41	0402117	5/16" FLAT WASHER 316SS
17	30	0402118	5/16" HELICAL LOCKWASHER SS
18	2	0402120	3/8" FLAT WASHER 316 SS
19	2	0402121	3/8" LOCKWASHER 316 SS
20	2	0721607	PLATE, BODY/SUBFRAME MTG
21	1	--	LT BODY ASSY, CONVENTIONAL COMPOSITE
22	1	--	RT BODY ASSY, CONVENTIONAL COMPOSITE
--	--	--	LT BODY ASSY, CONVENTIONAL COMPOSITE
23	8	0307480	TRIM SEAL 4100 B3X3/16C
24	1	0908309	HARDWARE KIT, 301M COMPOSITE BODY
25	1	945400800	STRIKER PIN WELDMENT PL
26	1	3810-117001	ASSEMBLY KIT, COMPOSITE BODY PARTS
27	2	561-0380001	SLEEVE BEARING, 3/8" ID X 1/2" OD
28	2	561-0380002	BEARING, BRONZE 3/8" ID X 7/16" OD
29	1	562-0100000	D-PADDLE LATCH
30	1	0310301	BODY, LEFT CONV. COMPOSITE GRAY
31	1	0310302	BODY, RIGHT CONV. COMPOSITE GRAY
32	1	0310303	BODY, LEFT CONV. COMPOSITE WHITE
33	1	0310304	BODY, RIGHT CONV. COMPOSITE WHITE
34	1	0310305	BODY, LEFT CONV. COMPOSITE BLACK
35	1	0310306	BODY, RIGHT CONV. COMPOSITE BLACK
36	1	0310307	BODY, LEFT CONV. COMPOSITE RED
37	1	0310308	BODY, RIGHT CONV. COMPOSITE RED

Section I - PARTS (cont'd)

COMPOSITE BODY ASSEMBLY (cont'd)



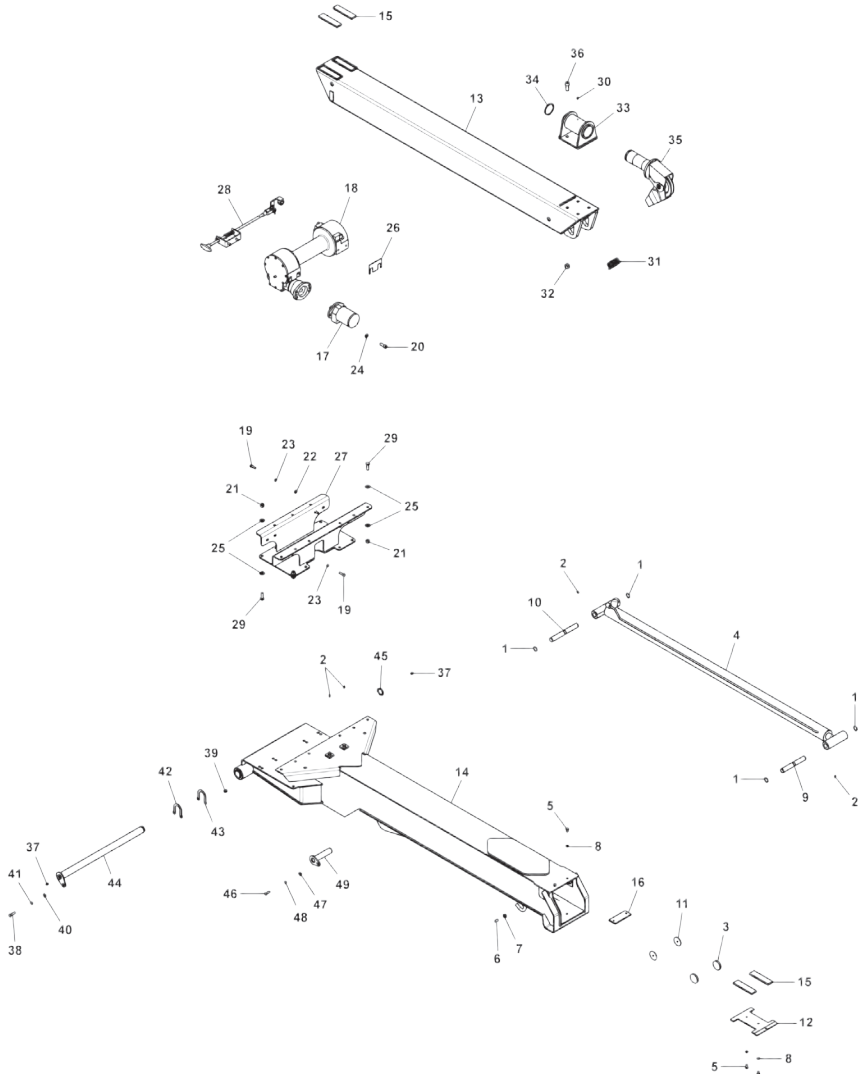
Section I - PARTS (cont'd)

COMPOSITE BODY ASSEMBLY (cont'd)

REF. NO.	NO. REQ'D	PART NUMBER	DESCRIPTION
--	--	0910040	BODY SHIP KIT, CONVENTIONAL COMPOSITE
38	6	0307523	TRIM-LOK 7100B3 X 1/4C
39	16	0402020	1/4"-20NC X 3/4" HEX HD SS
40	16	0402111	1/4" SS LOCKWASHER 316
41	4	0719841	PLATE, SPLIT HARNESS ALUM
42	2	0721516	PLATE, TAIL LIGHT INSPECT COVER
43	1	0910041	LIGHT KIT, CONV COMPOSITE BODY HELLA
44	2	9025049	INTERIOR & COMPART. LIGHT W/SSW
45	3	9032006	WEATHER STRIP 3/16 X 1/2
--	--	0910041	LIGHT KIT, CONV COMPOSITE BODY HELLA
46	2	GV57	RUBBER GROMMET, ATLANTIC
47	1	0301671	TOW LIGHT SOCKET (4 PIN)
48	20	0302062	WIRE TIE 21"
49	1	0303061	BACK UP ALARM ECCOMS97
50	1	0303226	80 AMP CIRCUIT BREAKER
51	2	0310214	LAMP, LED SIDE MARKER (AMBER)
52	4	0310215	LAMP, LED SIDE MARKER (RED)
53	2	0310217	KIT, 22" TEAR DROP LIGHT (AMBER)
54	2	0310280	LIGHT, WRAPAROUND STOP/TAIL 12V
55	1	0310353	LIGHT, AGROLUN LH STOP/TAIL RED
56	1	0310354	LIGHT, AGROLUN RH STOP/TAIL RED
57	1	0310355	LIGHT, AGROLUN LH BACK-UP, CLEAR
58	1	0310356	LIGHT, AGROLUN RH BACK-UP, CLEAR
59	6	0400066	1/4"-20 X 3/4" HHCS GR5 ZP
60	6	0400367	1/4"-20 NYLOK HEX NUT ZP
61	2	0400451	1/4" FLATWASHER ZP
62	12	0400686	#10-24 X 1" LG SS PHILLIPS PAN HD
63	12	0400688	#10-24 SS NYLOK NUT
64	12	0400689	#6-32 X 1" LG SS PHILLIPS PAN HD
65	12	0400690	#6-32 SS NYLOK NUT
66	8	0400691	#8 X 3/4" PHILLIP PAN HD SHTMTL
67	1	0501655	TAILLIGHT INSTALL INSTRUCTIONS COMP
68	5	9022076	RING TERM 14-16GA DK BLUE CRIMP
69	1	9025062	LICENSE BKT C/W LIGHT6
70	2	9032053	GROMMET, RUBBER MCMAST. 5/8X1/8
71	6	523-1402300	TERMINAL, 14GA BUTT/SHRINK BLU

Section I - PARTS (cont'd)

411 BOOM ASSEMBLY



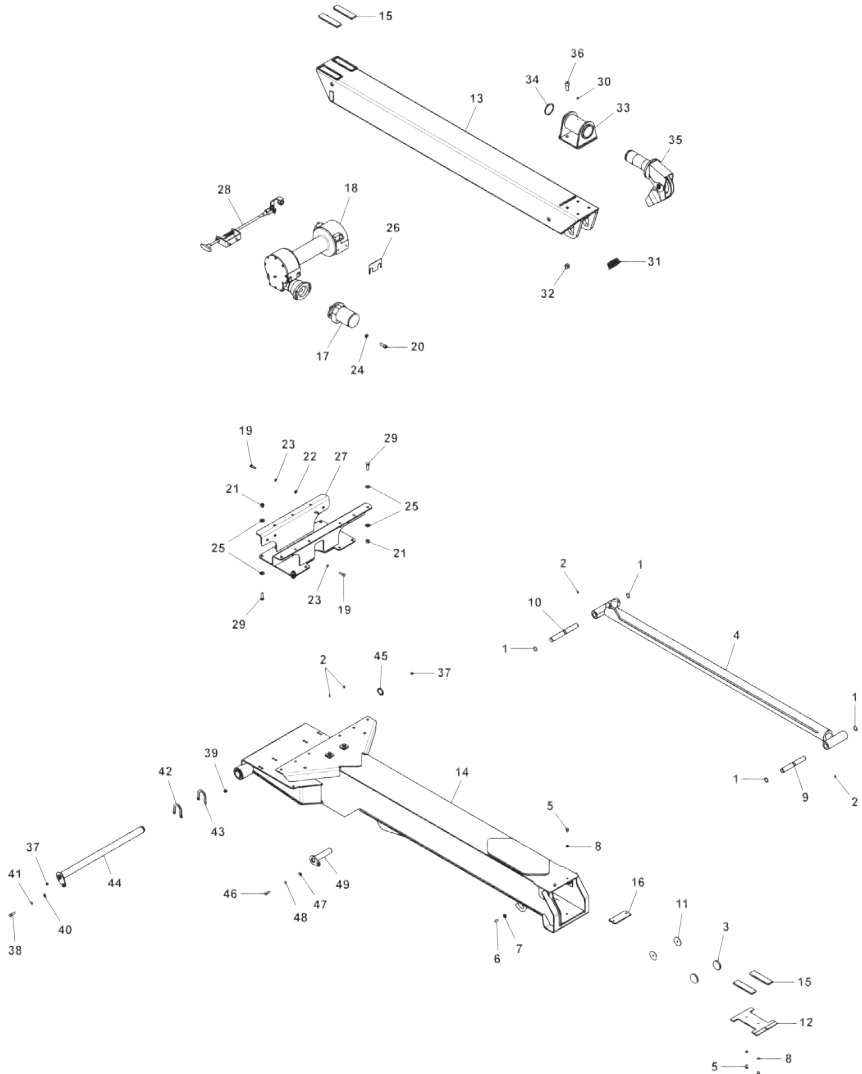
Section I - PARTS (cont'd)

411 BOOM ASSEMBLY

REF. NO.	NO. REQ'D	PART NUMBER	DESCRIPTION
--	--	0910277	BOOM ASSEMBLY, 8TON CONV 880/400
1	4	0300110	SNAP RING, 1" 5100-100
2	4	0300113	GREASE FITTING, 1/4-28 STRAIGHT
3	2	0306819	PAD - SLIDE (2 1/4 DIA UHMW)
4	1	0310488	CYL, 2-1/2 BORE- 1-3/4 ROD- 60
5	4	0400149	3/8"-16 X 5/8" HHCS GR5 ZP
6	2	0400204	1/2"-13 X 3/4" SOCKET HEAD SET
7	2	0400410	1/2"-13 HEX JAM NUT ZP
8	4	0400482	3/8" HELICAL LOCKWASHER - ZP
9	1	0703082	PIN, EXTEND CYLINDER PIVOT
10	1	0703137	SHAFT, EXTEND CYLINDER OUTERBOOM
11	2	0717674	SHIM, PAD SPACER
12	1	0722282	PLATE, U/L PAD CAGE CONVENTIONAL BOOMS
13	1	0807472	BOOM WELDMENT, INNER 8TON CONV
14	1	0807474	BOOM WELDMENT, OUTER 8TON CONV
15	4	896040002	NYLATRON - 6" X 1 1/2" X
16	1	3012-794003	BAR - SPACER
--	--	0908392	8K SINGLE WINCH BUCKET ASSEMBLY
17	1	0307097	MOTOR, HYDRAULIC PARKER - 4 CU. IN.
18	1	0307579	WINCH - LEFT
19	6	0400122	3/8"-16 X 1 1/4" HHCS GR5 ZP
20	2	0400196	1/2"-13 X 1 1/4" HHCS GR5 ZP
21	14	0400416	1/2"-13 NYLOK GR 8 YZ PLT
22	2	0400480	3/8" FLATWASHER ZP
23	6	0400482	3/8" HELICAL LOCKWASHER - ZP
24	2	0400491	1/2" HELICAL LOCKWASHER - ZP
25	28	0400497	1/2" FLATWASHER GR 8 YZ PLT
26	2	0706668	SHIM - WINCH MOUNTING
27	1	0806846	WINCH BUCKET WELDMENT

Section I - PARTS (cont'd)

411 BOOM ASSEMBLY (cont'd)



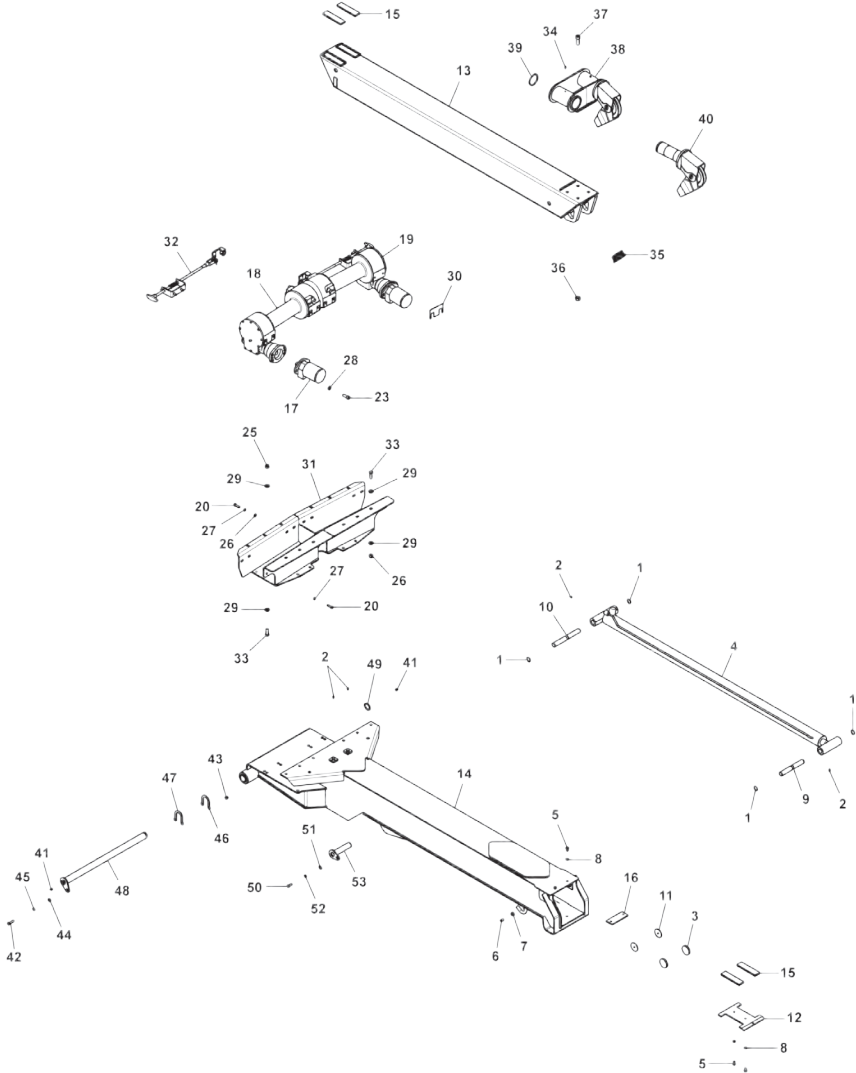
Section I - PARTS (cont'd)

411 BOOM ASSEMBLY (cont'd)

REF. NO.	NO. REQ'D	PART NUMBER	DESCRIPTION
--	--	0908392	8K SINGLE WINCH BUCKET ASSEMBLY (cont'd)
28	1	0908627	WINCH FREESPOOL ASSEMBLY - MODULAR
29	14	9041403	1/2" NC X 1 1/2" HHCS PL G
--	--	0908394	SINGLE SHEAVE HEAD ASSEMBLY
30	1	0300113	GREASE FITTING, 1/4"-28 STRAIGHT
31	1	0307590	PLUG, LDPE BLACK SQR -17-1014
32	4	0400426	5/8"-11 NYLOK GR 8 YZ PLT
33	1	0806844	SHEAVE HEAD WELDMENT
34	1	9055275	SNAP RING EXT. 2 3/4" 5160-275
35	1	805180000	SHEAVE HOUSING ASSEMBLY
36	4	HD0505	5/8"-11 X 1 1/2" SHCS
--	--	0909140	SUBFRAME ASSEMBLY - 411/412 FI
37	2	0301895	GREASE FITTING, 1/8" PTF
38	2	0400132	3/8"-16 X 1 1/2" HHCS GR5 ZP
39	5	0400392	3/8"-16 NYLOK HEX NUT ZINC
40	9	0400480	3/8" FLATWASHER ZP
41	2	0400482	3/8" HELICAL LOCKWASHER - ZP
42	2	0719519	SHIM - BOOM PIVOT (0.0747 THICK)
43	2	0719520	SHIM - BOOM PIVOT (0.1196 THICK)
44	1	0807183	PIN WELDMENT
45	1	9056150	RETAINING RING, 1-1/2"
--	--	0909146	GENERIC ASSEMBLY - 411/412
46	1	0400126	3/8"-16 X 1" HHCS GR5 ZP
47	1	0400480	3/8" FLATWASHER ZP
48	1	0400482	3/8" HELICAL LOCKWASHER - ZP
49	1	880401500	PIN BOOM LIFT CYLINDER UPPER

Section I - PARTS (cont'd)

412 BOOM ASSEMBLY



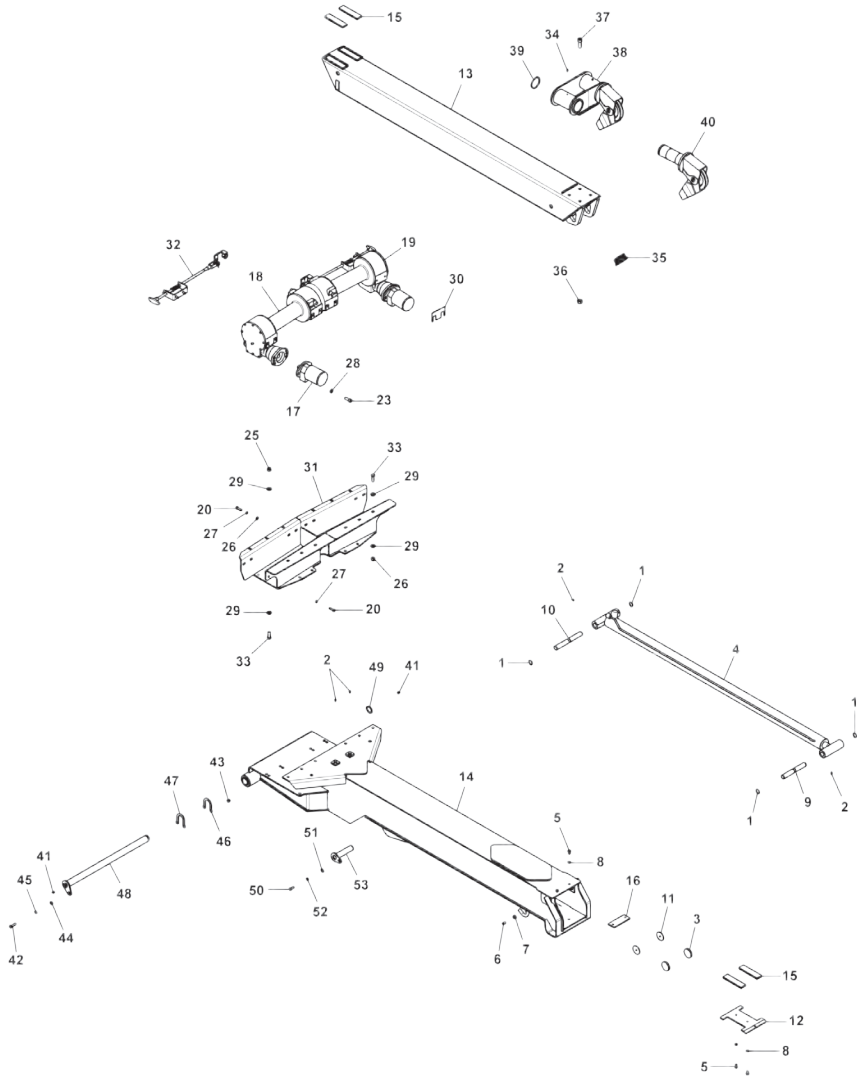
Section I - PARTS (cont'd)

412 BOOM ASSEMBLY

REF. NO.	NO. REQ'D	PART NUMBER	DESCRIPTION
--	--	0910277	BOOM ASSEMBLY, 8TON CONV 880/400
1	4	0300110	SNAP RING, 1" 5100-100
2	2	0300113	GREASE FITTING, 1/4-28 STRAIGHT
3	2	0306819	PAD - SLIDE (2 1/4 DIA UHMW)
4	1	0310488	CYLINDER, 2-1/2 BORE- 1-3/4 ROD- 60
5	4	0400149	3/8"-16 X 5/8" HHCS GR5 ZP
6	2	0400204	1/2"-13 X 3/4" SOCKET HEAD SET
7	2	0400410	1/2"-13 HEX JAM NUT ZP
8	4	0400482	3/8" HELICAL LOCKWASHER - ZP
9	1	0703082	PIN, EXTEND CYLINDER PIVOT
10	1	0703137	SHAFT, EXTEND CYLINDER OUTERBOOM
11	2	0717674	SHIM, PAD SPACER
12	1	0722282	PLATE, U/L PAD CAGE CONVENTIONAL BOOMS
13	1	0807472	BOOM WELDMENT, INNER 8TON CONV
14	1	0807474	BOOM WELDMENT, OUTER 8TON CONV
15	4	896040002	NYLATRON - 6" X 1 1/2" X
16	1	3012-794003	BAR - SPACER
--	--	0908391	8K DUAL WINCH BUCKET ASSEMBLY
17	2	0307097	MOTOR, HYDRAULIC PARKER - 4 CU. IN.
18	1	0307579	WINCH - LEFT
19	1	0307580	WINCH - RIGHT
20	12	0400122	3/8"-16 X 1 1/4" HHCS GR5 ZP
21	2	0400126	3/8"-16 X 1" HHCS GR5 ZP
22	2	0400150	3/8"-16 X 2 1/2" HHCS GR5 ZP
23	4	0400196	1/2"-13 X 1 1/4" HHCS GR5 ZP
24	2	0400393	3/8"-16 HEX NUT JAM ZP
25	14	0400416	1/2"-13 NYLOK GR 8 YZ PLT
26	8	0400480	3/8" FLATWASHER ZP
27	16	0400482	3/8" HELICAL LOCKWASHER - ZP
28	4	0400491	1/2" HELICAL LOCKWASHER - ZP
29	28	0400497	1/2" FLATWASHER GR 8 YZ PLT

Section I - PARTS (cont'd)

412 BOOM ASSEMBLY (cont'd)



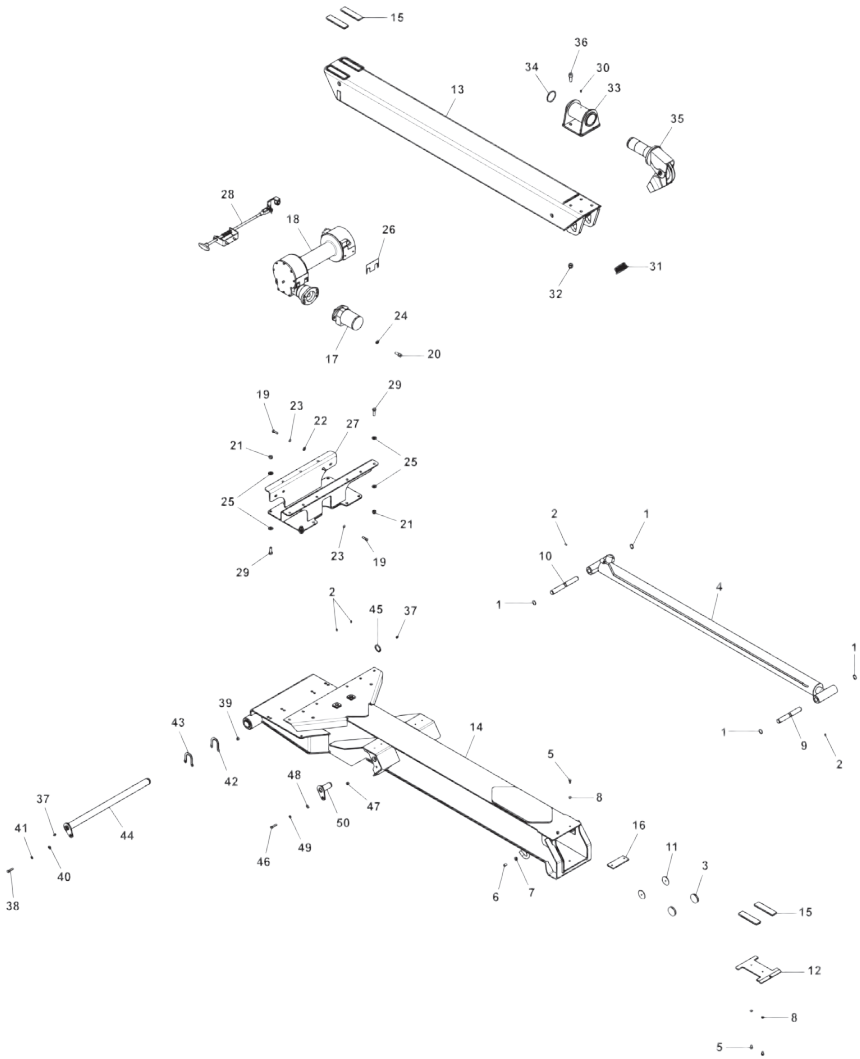
Section I - PARTS (cont'd)

412 BOOM ASSEMBLY (cont'd)

REF. NO.	NO. REQ'D	PART NUMBER	DESCRIPTION
--	--	0908391	8K DUAL WINCH BUCKET ASSEMBLY (cont'd)
30	4	0706668	SHIM - WINCH MOUNTING
31	1	0806846	WINCH BUCKET WELDMENT
32	2	0908627	WINCH FREESPOOL ASSEMBLY - MODULAR
33	14	9041403	1/2" NC X 1 1/2" HHCS PL G
--	--	0908761	8K DUAL SHEAVE HEAD ASSEMBLY
34	2	0300113	GREASE FITTING, 1/4"-28 STRAIGHT
35	1	0310320	CAP, 2 X 2 SQ BOOM END PLASTIC
36	4	0400426	5/8"-11 NYLOK GR 8 YZ PLT
37	4	0401010	5/8"-11 X 1 3/4" SHCS
38	1	0806906	8K DUAL SHEAVE HEAD WELDMENT
39	2	9055275	SNAP RING EXT. 2 3/4" 5160-275
40	2	805180000	SHEAVE HOUSING ASSEMBLY
--	--	0909140	SUBFRAME ASSEMBLY - 411/412 FI
41	2	0301895	GREASE FITTING, 1/8" PTF
42	2	0400132	3/8"-16 X 1 1/2" HHCS GR5 ZP
43	5	0400392	3/8"-16 NYLOK HEX NUT ZINC
44	9	0400480	3/8" FLATWASHER ZP
45	2	0400482	3/8" HELICAL LOCKWASHER - ZP
46	2	0719519	SHIM - BOOM PIVOT (0.0747 THICK)
47	2	0719520	SHIM - BOOM PIVOT (0.1196 THICK)
48	1	0807183	PIN WELDMENT
49	1	9056150	RETAINING RING, 1-1/2"
--	--	0909146	GENERIC ASSEMBLY - 411/412
50	1	0400126	3/8"-16 X 1" HHCS GR5 ZP
51	1	0400480	3/8" FLATWASHER ZP
52	1	0400482	3/8" HELICAL LOCKWASHER - ZP
53	1	880401500	PIN BOOM LIFT CYLINDER UPPER

Section I - PARTS (cont'd)

601 BOOM ASSEMBLY



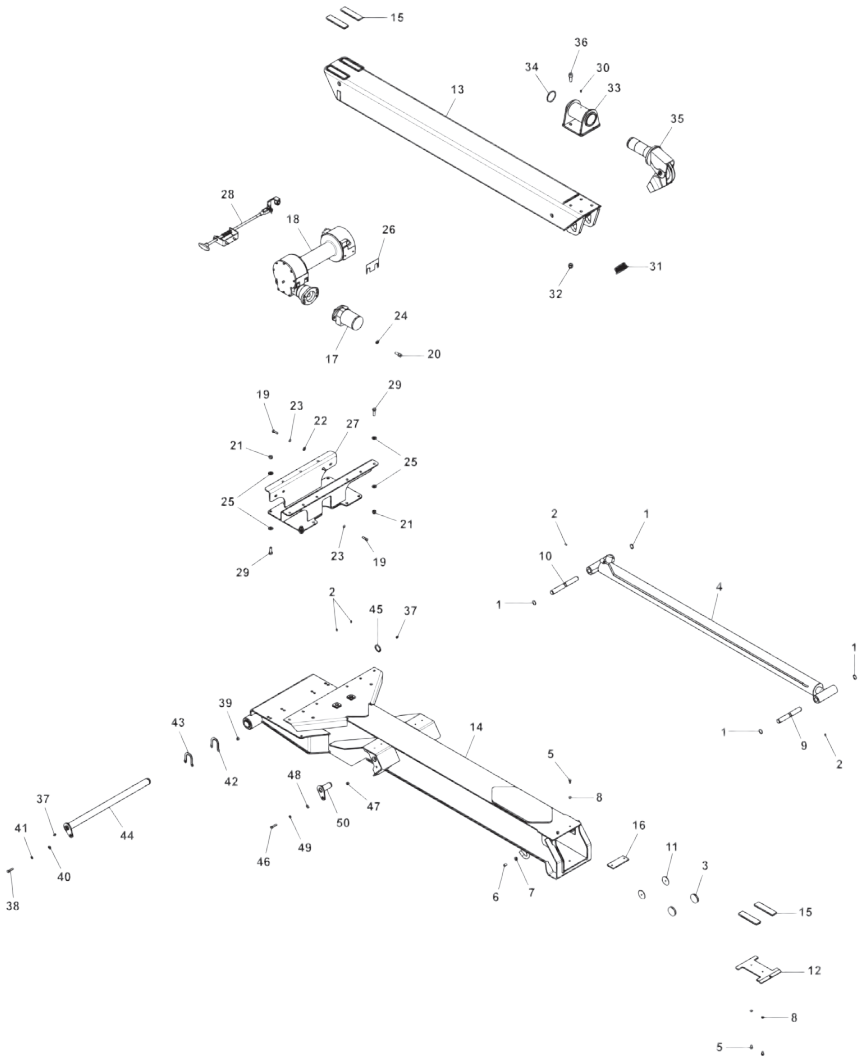
Section I - PARTS (cont'd)

601 BOOM ASSEMBLY

REF. NO.	NO. REQ'D	PART NUMBER	DESCRIPTION
--	--	0910278	BOOM ASSEMBLY, 10TON CONV 890/602
1	4	0300110	SNAP RING, 1" 5100-100
2	2	0300113	GREASE FITTING, 1/4-28 STRAIGHT
3	2	0306819	PAD - SLIDE (2 1/4 DIA UHMW)
4	1	0310493	CYLINDER, 3 BORE - 1-3/4 ROD - 60 STR
5	4	0400149	3/8"-16 X 5/8" HHCS GR5 ZP
6	2	0400204	1/2"-13 X 3/4" SOCKET HEAD SET
7	2	0400410	1/2"-13 HEX JAM NUT ZP
8	4	0400482	3/8" HELICAL LOCKWASHER - ZP
9	1	0703082	PIN, EXTEND CYLINDER PIVOT
10	1	0703137	SHAFT, EXTEND CYLINDER OUTERBOOM
11	2	0717674	SHIM, PAD SPACER
12	1	0722282	PLATE, U/L PAD CAGE CONVENTIONAL BOOMS
13	1	0807473	BOOM WELDMENT, INNER 8TON CONV
14	1	0807475	BOOM WELDMENT, OUTER 8TON CONV
15	4	896040002	NYLATRON - 6" X 1 1/2" X
16	1	3012-794003	BAR - SPACER
--	--	0908392	8K SINGLE WINCH BUCKET ASSEMBLY
17	1	0307097	MOTOR, HYDRAULIC PARKER - 4 CU. IN.
18	1	0307579	WINCH - LEFT
19	6	0400122	3/8"-16 X 1 1/4" HHCS GR5 ZP
20	2	0400196	1/2"-13 X 1 1/4" HHCS GR5 ZP
21	14	0400416	1/2"-13 NYLOK GR 8 YZ PLT
22	2	0400480	3/8" FLATWASHER ZP
23	6	0400482	3/8" HELICAL LOCKWASHER - ZP
24	2	0400491	1/2" HELICAL LOCKWASHER - ZP
25	28	0400497	1/2" FLATWASHER GR 8 YZ PLT
26	2	0706668	SHIM - WINCH MOUNTING
27	1	0806846	WINCH BUCKET WELDMENT

Section I - PARTS (cont'd)

601 BOOM ASSEMBLY (cont'd)



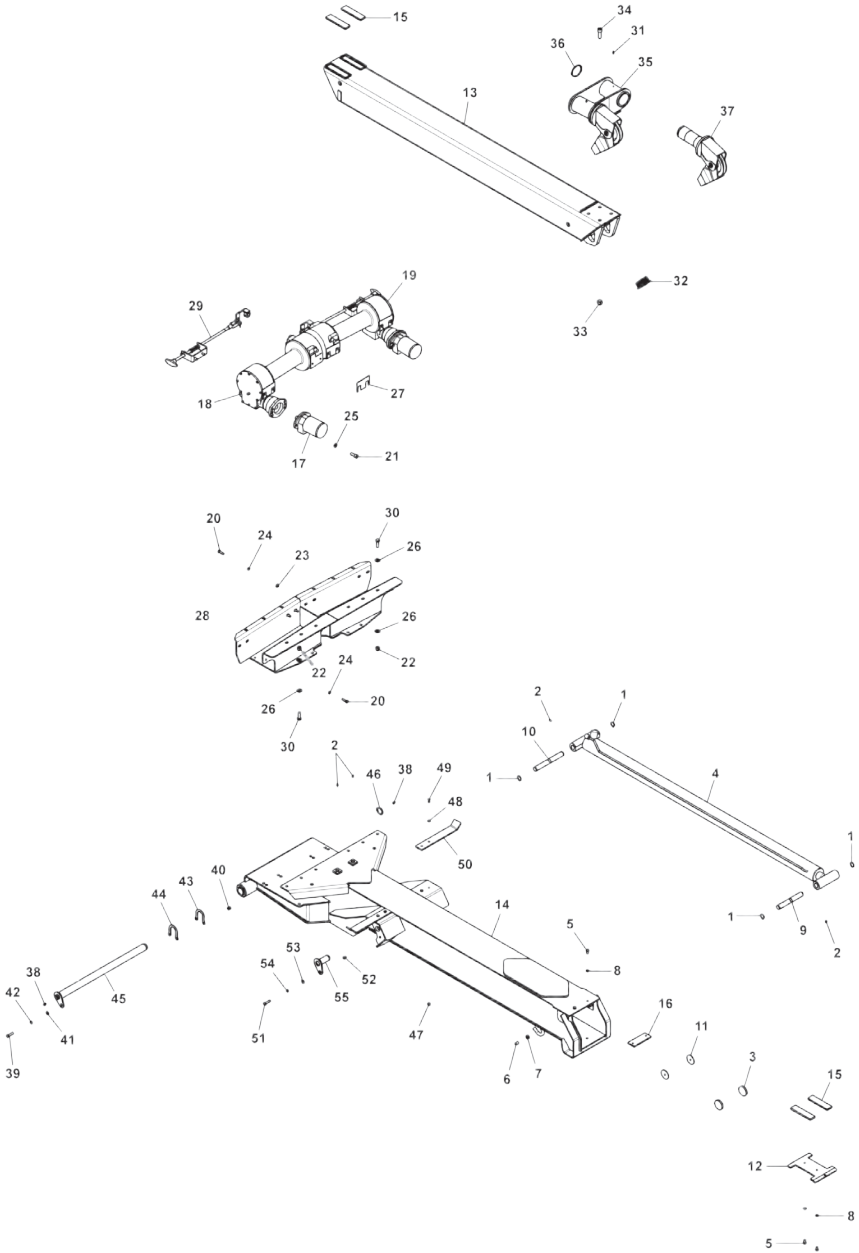
Section I - PARTS (cont'd)

601 BOOM ASSEMBLY (cont'd)

REF. NO.	NO. REQ'D	PART NUMBER	DESCRIPTION
--	--	0908392	8K SINGLE WINCH BUCKET ASSEMBLY
28	1	0908627	WINCH FREESPOOL ASSEMBLY - MODULAR
29	14	9041403	1/2" NC X 1 1/2" HHCS PL G
--	--	0908394	SINGLE SHEAVE HEAD ASSEMBLY
30	1	0300113	GREASE FITTING, 1/4"-28 STRAIGHT
31	1	0307590	PLUG, LDPE BLACK SQR -17-1014
32	4	0400426	5/8"-11 NYLOK GR 8 YZ PLT
33	1	0806844	SHEAVE HEAD WELDMENT
34	1	9055275	SNAP RING EXT. 2 3/4" 5160-275
35	1	805180000	SHEAVE HOUSING ASSEMBLY
36	4	HD0505	5/8"-11 X 1 1/2" SHCS
--	--	0909141	SUBFRAME ASSEMBLY - 601/602 F6500
37	2	0301895	GREASE FITTING, 1/8" PTF
38	4	0400132	3/8"-16 X 1 1/2" HHCS GR5 ZP
39	7	0400392	3/8"-16 NYLOK HEX NUT ZINC
40	4	0400480	3/8" FLATWASHER ZP
41	2	0400482	3/8" HELICAL LOCKWASHER - ZP
42	2	0719519	SHIM - BOOM PIVOT (0.0747 THICK)
43	2	0719520	SHIM - BOOM PIVOT (0.1196 THICK)
44	1	0807183	PIN WELDMENT
45	1	9056150	RETAINING RING, 1-1/2"
--	--	0909151	GENERIC ASSEMBLY - 601/602
46	2	0400132	3/8"-16 X 1 1/2" HHCS GR5 ZP
47	5	0400392	3/8"-16 NYLOK HEX NUT ZINC
48	5	0400480	3/8" FLATWASHER ZP
49	2	0400482	3/8" HELICAL LOCKWASHER - ZP
50	2	880401500	PIN BOOM LIFT CYLINDER UPPER

Section I - PARTS (cont'd)

602 BOOM ASSEMBLY



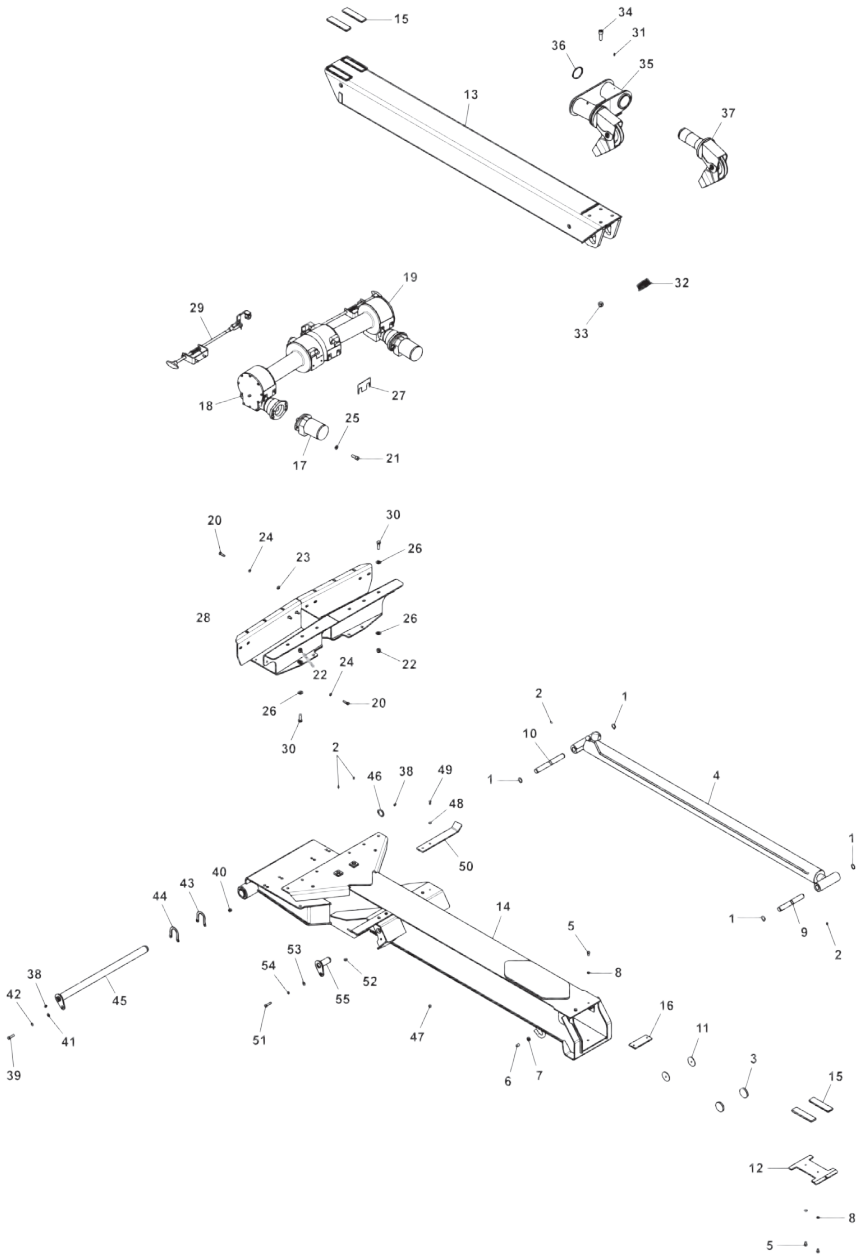
Section I - PARTS (cont'd)

602 BOOM ASSEMBLY

REF. NO.	NO. REQ'D	PART NUMBER	DESCRIPTION
--	--	0910278	BOOM ASSEMBLY, 10TON CONV 890/602
1	4	0300110	SNAP RING, 1" 5100-100
2	2	0300113	GREASE FITTING,1/4-28 STRAIGHT
3	2	0306819	PAD - SLIDE (2 1/4 DIA UHMW)
4	1	0310493	CYLINDER, 3 BORE- 1-3/4 ROD- 60 STR
5	4	0400149	3/8"-16 X 5/8" HHCS GR5 ZP
6	2	0400204	1/2"-13 X 3/4" SOCKET HEAD SET
7	2	0400410	1/2"-13 HEX JAM NUT ZP
8	4	0400482	3/8" HELICAL LOCKWASHER - ZP
9	1	0703082	PIN,EXTEND CYLINDER PIVOT
10	1	0703137	SHAFT, EXTEND CYLINDER OUTERBOOM
11	2	0717674	SHIM, PAD SPACER
12	1	0722282	PLATE, U/L PAD CAGE CONVENTIONAL BOOMS
13	1	0807473	BOOM WELDMENT, INNER 8TON CONV
14	1	0807475	BOOM WELDMENT, OUTER 8TON CONV
15	4	896040002	NYLATRON - 6" X 1 1/2" X
16	1	3012-794003	BAR - SPACER
--	--	0908391	8K DUAL WINCH BUCKET ASSEMBLY
17	2	0307097	MOTOR, HYDRAULIC PARKER - 4 CU. IN.
18	1	0307579	WINCH - LEFT
19	1	0307580	WINCH - RIGHT
20	12	0400122	3/8"-16 X 1 1/4" HHCS GR5 ZP
21	4	0400196	1/2"-13 X 1 1/4" HHCS GR5 ZP
22	14	0400416	1/2"-13 NYLOK GR8 YZ PLT
23	8	0400480	3/8" FLATWASHER GR 8 YZ PLT
24	16	0400482	3/8" HELICAL LOCKWASHER - ZP
25	4	0400491	1/2" HELICAL LOCKWASHER - ZP
26	28	0400497	1/2" FLATWASHER GR 8 YZ PLT
27	4	0706668	SHIM - WINCH MOUNTING
28	1	0806847	WINCH BUCKET WELDMENT
29	2	0908627	WINCH FREESPOOL ASSEMBLY - MODULAR
30	14	9041403	1/2" NC X 1 1/2" HHCS PL G

Section I - PARTS (cont'd)

602 BOOM ASSEMBLY (cont'd)



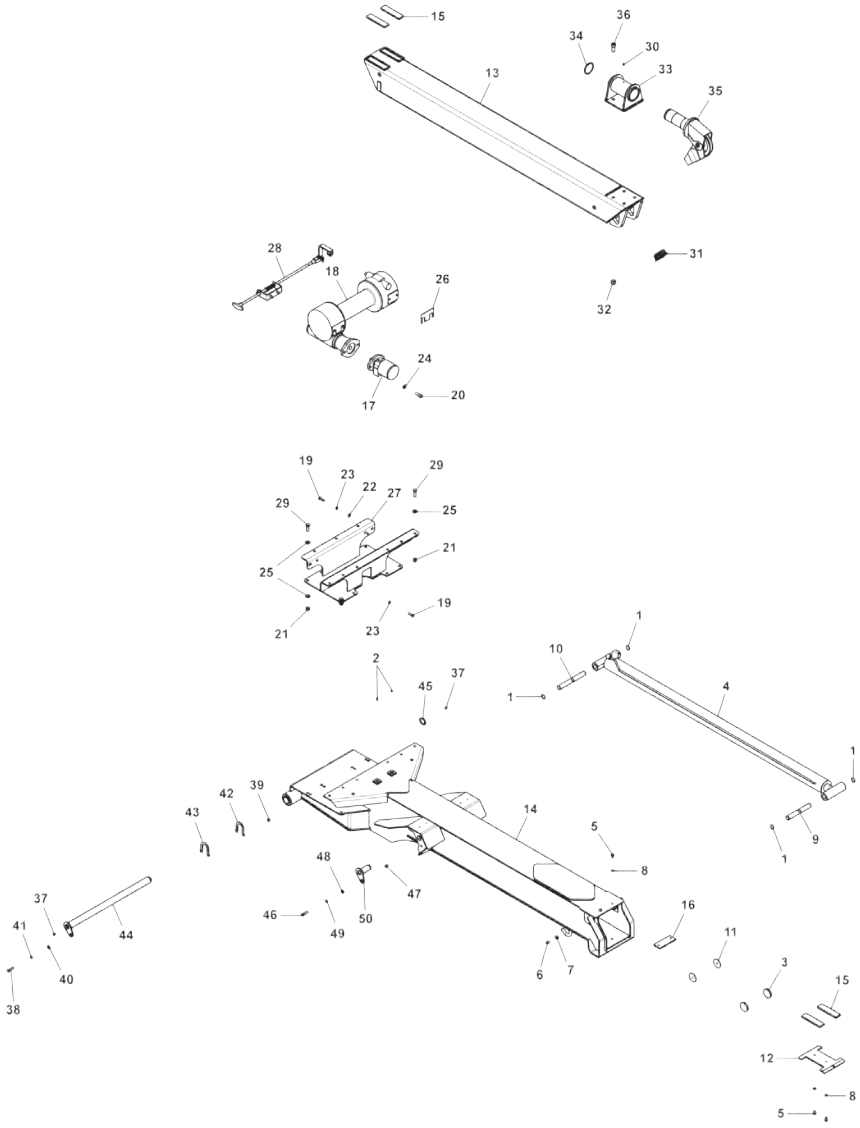
Section I - PARTS (cont'd)

602 BOOM ASSEMBLY (cont'd)

REF. NO.	NO. REQ'D	PART NUMBER	DESCRIPTION
--	--	0908761	8K DUAL SHEAVE HEAD ASSEMBLY
31	2	0300113	GREASE FITTING, 1/4"-28 STRAIGHT
32	1	0310320	CAP, 2 X 2 SQ BOOM END PLASTIC
33	4	0400426	5/8"-11 NYLOK GR 8 YZ PLT
34	4	0401010	5/8"-11 X 1 3/4" LG SOCKET HD CAP
35	1	0806906	SHEAVE HEAD WELDMENT
36	2	9055275	SNAP RING EXT. 2 3/4" 5160-275
37	2	805180000	SHEAVE HOUSING ASSEMBLY
--	--	0909141	SUBFRAME ASSEMBLY - 601/602 F6500
38	2	0301895	GREASE FITTING, 1/8" PTF
39	4	0400132	3/8"-16 X 1 1/2" HHCS GR5 ZP
40	7	0400392	3/8"-16 NYLOK HEX NUT ZINC
41	4	0400480	3/8" FLATWASHER ZP
42	2	0400482	3/8" HELICAL LOCKWASHER - ZP
43	2	0719519	SHIM - BOOM PIVOT (0.0747 THICK)
44	2	0719520	SHIM - BOOM PIVOT (0.1196 THICK)
45	1	0807183	PIN WELDMENT
46	1	9056150	RETAINING RING, 1-1/2"
--	--	0909149	BASIC UNIT ASSEMBLY - 602
47	4	0400382	5/16"-18 NYLOK HEX NUT ZP
48	4	0400464	5/16" HELICAL LOCKWASHER ZP.
49	4	0400614	5/16"-18 X 3/4" HHCS GR5 ZP
50	2	0721649	CABLE GUIDE FRONT
--	--	0909151	GENERIC ASSEMBLY - 601/602
51	2	0400132	3/8"-16 X 1 1/2" HHCS GR5 ZP
52	5	0400392	3/8"-16 NYLOK HEX NUT ZINC
53	5	0400480	3/8" FLATWASHER ZP
54	2	0400482	3/8" HELICAL LOCKWASHER - ZP
55	2	880401500	PIN BOOM LIFT CYLINDER UPPER

Section I - PARTS (cont'd)

611 BOOM ASSEMBLY



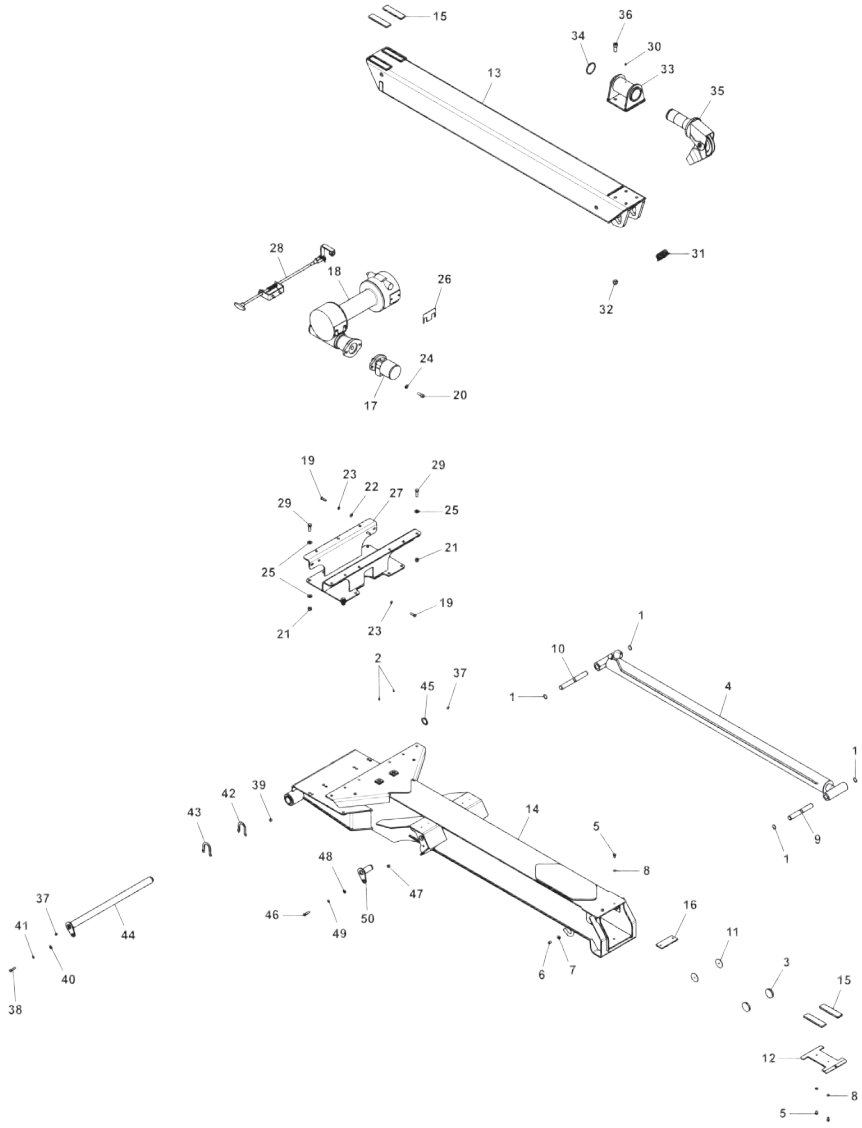
Section I - PARTS (cont'd)

611 BOOM ASSEMBLY

REF. NO.	NO. REQ'D	PART NUMBER	DESCRIPTION
--	--	0910279	BOOM ASSEMBLY, 12TON CONV 612
1	4	0300110	SNAP RING, 1" 5100-100
2	2	0300113	GREASE FITTING, 1/4-28 STRAIGHT
3	2	0306819	PAD - SLIDE (2 1/4 DIA UHMW)
4	1	0310493	CYLINDER, 3 BORE- 1-3/4 ROD - 60 STR
5	4	0400149	3/8"-16 X 5/8" HHCS GR5 ZP
6	2	0400204	1/2"-13 X 3/4" SOCKET HEAD SET
7	2	0400410	1/2"-13 HEX JAM NUT ZP
8	4	0400482	3/8" HELICAL LOCKWASHER - ZP
9	1	0703082	PIN, EXTEND CYLINDER PIVOT
10	1	0703137	SHAFT, EXTEND CYLINDER OUTERBOOM
11	2	0717674	SHIM, PAD SPACER
12	1	0722282	PLATE, U/L PAD CAGE CONVENTIONAL BOOMS
13	1	0807473	BOOM WELDMENT, INNER 10/12TON CONV
14	1	0807476	BOOM WELDMENT, OUTER 12TON CONV
15	4	896040002	NYLATRON - 6" X 1 1/2" X
16	1	3012-794003	BAR - SPACER
--	--	0908717	10K SINGLE WINCH BUCKET ASSEMBLY
17	1	0307101	MOTOR, HYDRAULIC PARKER
18	1	0310420	WINCH - LEFT RAMSEY 6 TON
19	6	0400122	3/8"-16 X 1 1/4" HHCS GR5 ZP
20	2	0400196	1/2"-13 X 1 1/4" HHCS GR5 ZP
21	14	0400416	1/2"-13 NYLOK GR 8 YZ PLT
22	4	0400480	3/8" FLATWASHER ZP
23	8	0400482	3/8" HELICAL LOCKWASHER - ZP
24	4	0400491	1/2" HELICAL LOCKWASHER - ZP
25	28	0400497	1/2" FLATWASHER GR 8 YZ PLT
26	2	0706668	SHIM - WINCH MOUNTING
27	1	0806905	WINCH BUCKET WELDMENT

Section I - PARTS (cont'd)

611 BOOM ASSEMBLY (cont'd)



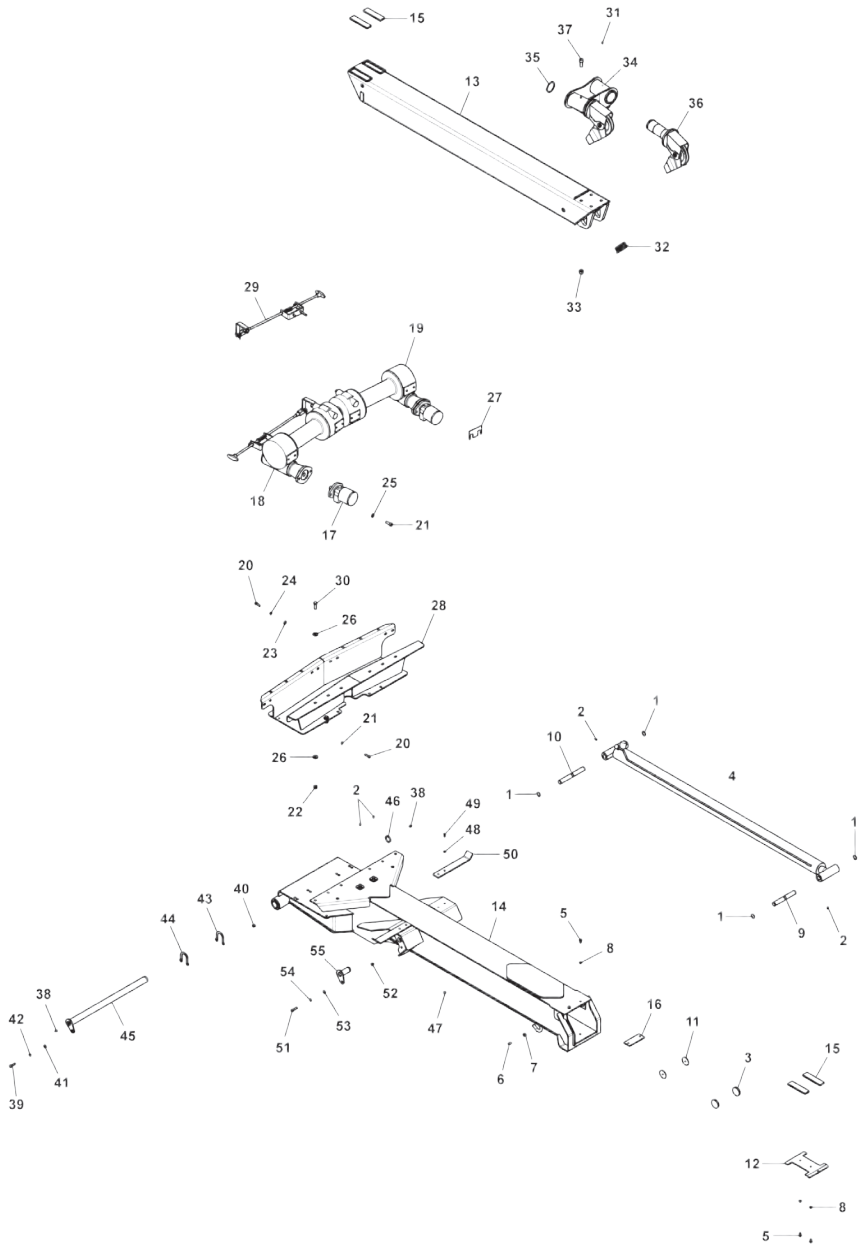
Section I - PARTS (cont'd)

611 BOOM ASSEMBLY (cont'd)

REF. NO.	NO. REQ'D	PART NUMBER	DESCRIPTION
--	--	0908717	10K SINGLE WINCH BUCKET ASSEMBLY (cont'd)
28	1	0908627	WINCH FREESPOOL ASSEMBLY - MODULAR
29	14	9041403	1/2" NC X 1 1/2" HHCS PL G
--	--	0908394	SINGLE SHEAVE HEAD ASSEMBLY
30	1	0300113	GREASE FITTING, 1/4"-28 STRAIGHT
31	1	0307590	PLUG, LDPE BLACK SQR -17-1014
32	4	0400426	5/8"-11 NYLOK GR 8 YZ PLT
33	1	0806844	SHEAVE HEAD WELDMENT
34	1	9055275	SNAP RING EXT. 2 3/4" 5160-275
35	1	805180000	SHEAVE HOUSING ASSEMBLY
36	4	HD0505	5/8"-11 X 1 1/2" SHCS
--	--	0909157	SUBFRAME ASSEMBLY - 611/612 F6500
37	2	0301895	GREASE FITTING, 1/8" PTF
38	4	0400132	3/8"-16 X 1 1/2" HHCS GR5 ZP
39	7	0400392	3/8"-16 NYLOK HEX NUT ZINC
40	4	0400480	3/8" FLATWASHER ZP
41	2	0400482	3/8" HELICAL LOCKWASHER - ZP
42	2	0719519	SHIM - BOOM PIVOT (0.0747 THICK)
43	2	0719520	SHIM - BOOM PIVOT (0.1196 THICK)
44	1	0807183	PIN WELDMENT
45	1	9056150	RETAINING RING, 1-1/2"
--	--	0909156	GENERIC ASSEMBLY - 611/612
46	2	0400132	3/8"-16 X 1 1/2" HHCS GR5 ZP
47	5	0400392	3/8"-16 NYLOK HEX NUT ZINC
48	5	0400480	3/8" FLATWASHER ZP
49	2	0400482	3/8" HELICAL LOCKWASHER - ZP
50	2	0806854	PIN BOOM LIFT CYLINDER UPPER

Section I - PARTS (cont'd)

612 BOOM ASSEMBLY



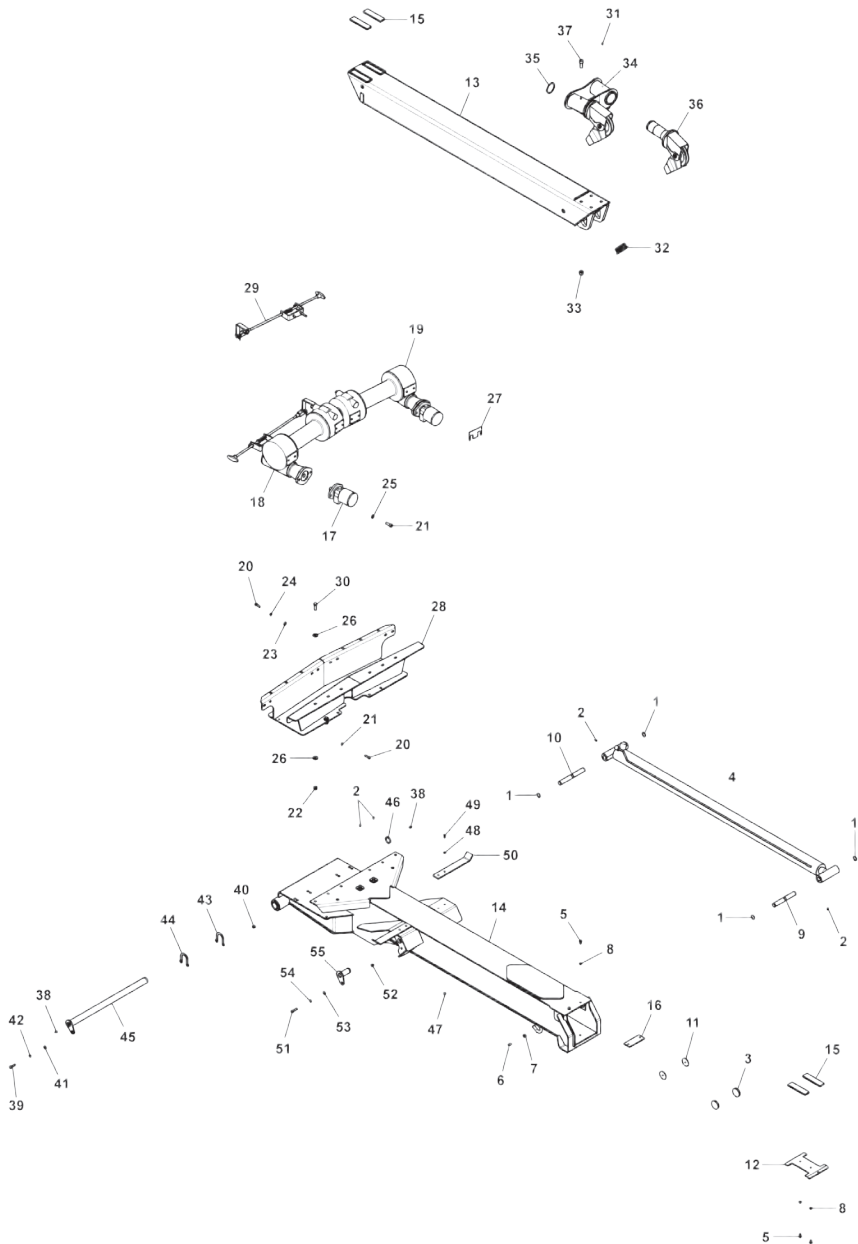
Section I - PARTS (cont'd)

612 BOOM ASSEMBLY

REF. NO.	NO. REQ'D	PART NUMBER	DESCRIPTION
--	--	0910279	BOOM ASSEMBLY, 12TON CONV 612
1	4	0300110	SNAP RING, 1" 5100-100
2	2	0300113	GREASE FITTING, 1/4-28 STRAIGHT
3	2	0306819	PAD - SLIDE (2 1/4 DIA UHMW)
4	1	0310493	CYLINDER, 3 BORE- 1-3/4 ROD- 60 STR
5	4	0400149	3/8"-16 X 5/8" HHCS GR5 ZP
6	2	0400204	1/2"-13 X 3/4" SOCKET HEAD SET
7	2	0400410	1/2"-13 HEX JAM NUT ZP
8	4	0400482	3/8" HELICAL LOCKWASHER - ZP
9	1	0703082	PIN, EXTEND CYLINDER PIVOT
10	1	0703137	SHAFT, EXTEND CYLINDER OUTERBOOM
11	2	0717674	SHIM, PAD SPACER
12	1	0722282	PLATE, U/L PAD CAGE CONVENTIONAL BOOMS
13	1	0807473	BOOM WELDMENT, INNER 10/12TON CONV
14	1	0807476	BOOM WELDMENT, OUTER 12TON CONV
15	4	896040002	NYLATRON - 6" X 1 1/2" X
16	1	3012-794003	BAR - SPACER
--	--	0908716	10K DUAL WINCH BUCKET ASSEMBLY
17	2	0307101	MOTOR, HYDRAULIC PARKER
18	1	0310420	WINCH - LEFT
19	1	0310421	WINCH - RIGHT
20	12	0400122	3/8"-16 X 1 1/4" HHCS GR5 ZP
21	4	0400196	1/2"-13 X 1 1/4" HHCS GR5 ZP
22	14	0400416	1/2"-13 NYLOK GR8 YZ PLT
23	8	0400480	3/8" FLATWASHER GR 8 YZ PLT
24	16	0400482	3/8" HELICAL LOCKWASHER - ZP
25	4	0400491	1/2" HELICAL LOCKWASHER - ZP
26	28	0400497	1/2" FLATWASHER GR 8 YZ PLT
27	4	0706668	SHIM - WINCH MOUNTING
28	1	0806891	10K DUAL WINCH BUCKET WELDMENT
29	2	0906031	WINCH FREESPOOL ASSEMBLY - MODULAR
30	14	9041403	1/2" NC X 1 1/2" HHCS PL G

Section I - PARTS (cont'd)

612 BOOM ASSEMBLY (cont'd)



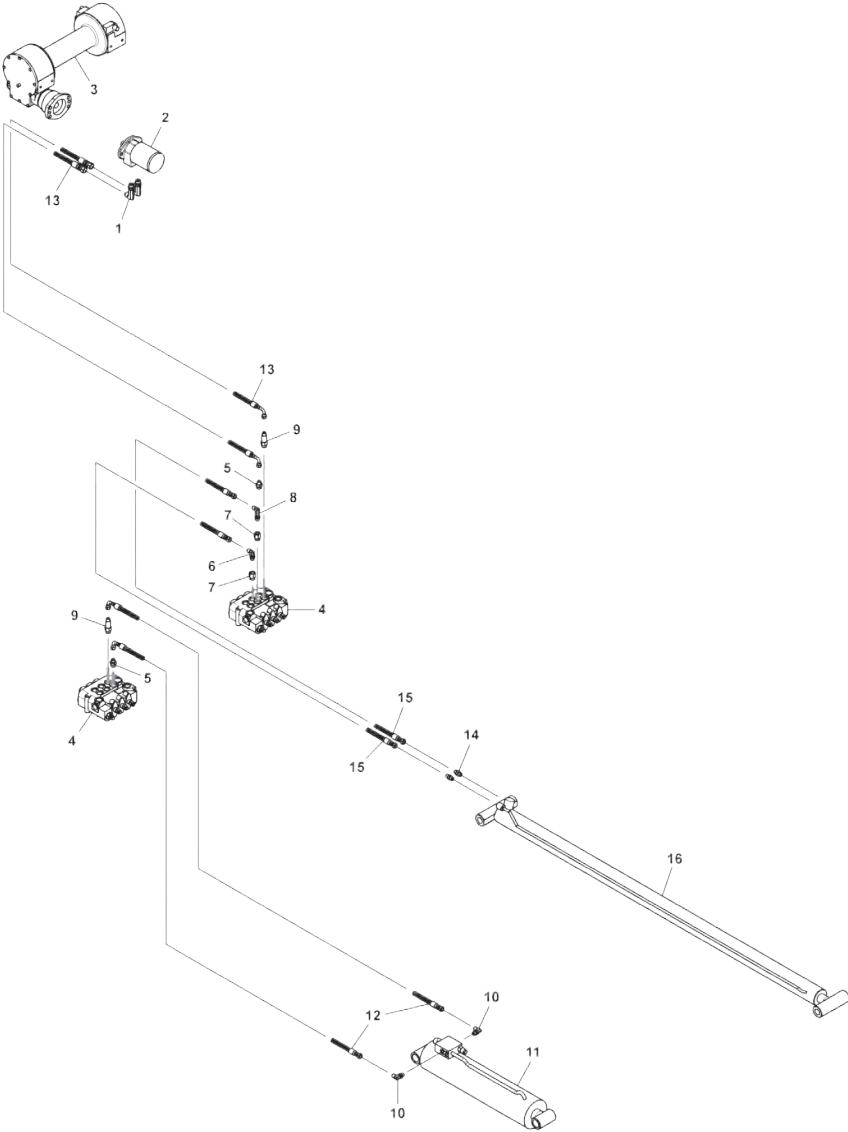
Section I - PARTS (cont'd)

612 BOOM ASSEMBLY (cont'd)

REF. NO.	NO. REQ'D	PART NUMBER	DESCRIPTION
--	--	0908762	10K DUAL SHEAVE HEAD ASSEMBLY
31	2	0300113	GREASE FITTING, 1/4"-28 STRAIGHT
32	1	0307590	PLUG, LDPE BLACK SQR -17 -1014
33	4	0400426	5/8"-11 NYLOK GR 8 YZ PLT
34	1	0806892	DUAL 10K SHEAVE HEAD WELDMENT
35	2	9055275	SNAP RING EXT. 2 3/4" 5160-275
36	2	805180000	SHEAVE HOUSING ASSEMBLY
37	4	HD0505	5/8"-11 X 1 1/2" SHCS
--	--	0909157	SUBFRAME ASSEMBLY - 611/612 F6500
38	2	0301895	GREASE FITTING, 1/8" PTF
39	4	0400132	3/8"-16 X 1 1/2" HHCS GR5 ZP
40	7	0400392	3/8"-16 NYLOK HEX NUT ZINC
41	4	0400480	3/8" FLATWASHER ZP
42	2	0400482	3/8" HELICAL LOCKWASHER - ZP
43	2	0719519	SHIM - BOOM PIVOT (0.0747 THICK)
44	2	0719520	SHIM - BOOM PIVOT (0.1196 THICK)
45	1	0807183	PIN WELDMENT
46	1	9056150	RETAINING RING, 1-1/2"
--	--	0909154	BASIC UNIT ASSEMBLY - 612
47	4	0400382	5/16"-18 NYLOK HEX NUT ZP
48	4	0400464	5/16" HELICAL LOCKWASHER ZP.
49	4	0400614	5/16"-18 X 3/4" HHCS GR5 ZP
50	2	0721649	CABLE GUIDE FRONT
--	--	0909156	GENERIC ASSEMBLY - 611/612
51	2	0400132	3/8"-16 X 1 1/2" HHCS GR5 ZP
52	5	0400392	3/8"-16 NYLOK HEX NUT ZINC
53	5	0400480	3/8" FLATWASHER ZP
54	2	0400482	3/8" HELICAL LOCKWASHER - ZP
55	2	880401500	PIN BOOM LIFT CYLINDER UPPER

Section I - PARTS (cont'd)

411 BOOM & WINCH HYDRAULICS



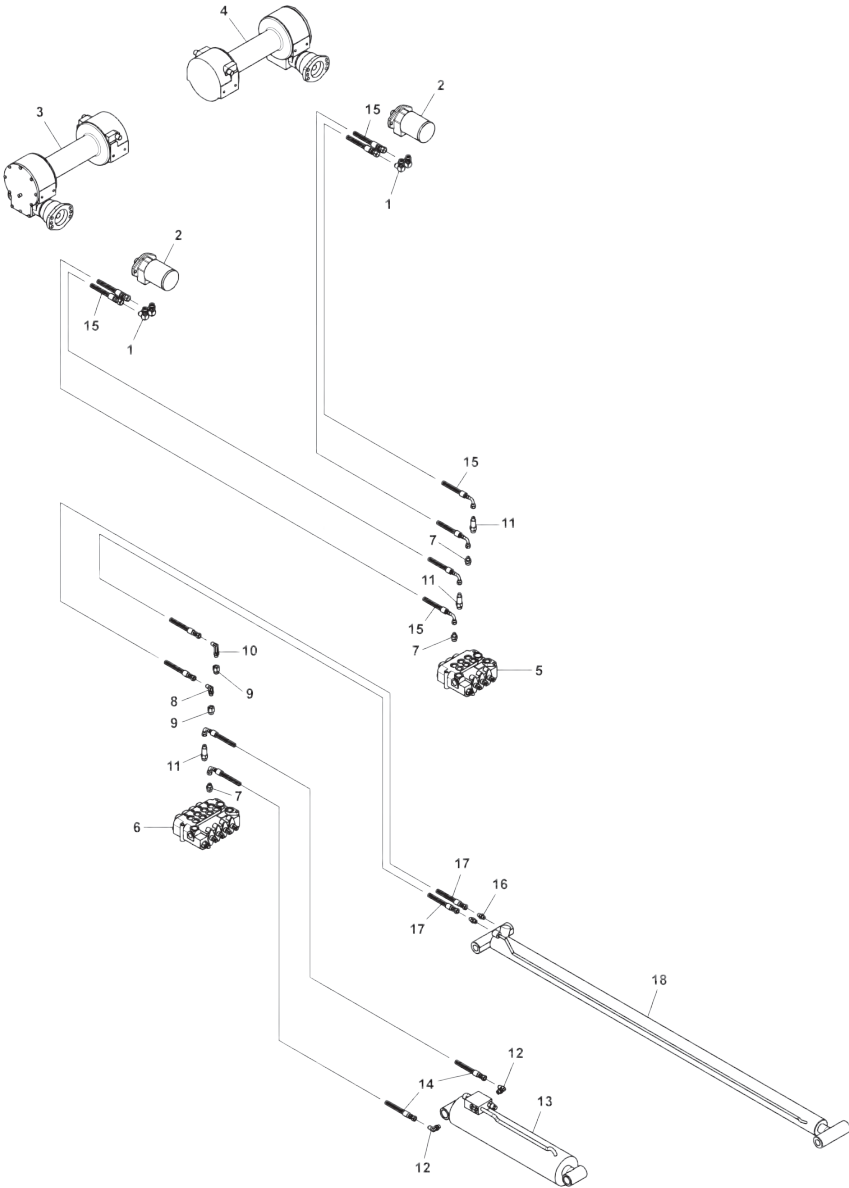
Section I - PARTS (cont'd)

411 BOOM & WINCH HYDRAULICS

REF. NO.	NO. REQ'D	PART NUMBER	DESCRIPTION
--	--	0908392	8K SINGLE WINCH BUCKET ASSEMBLY
1	2	0302508	FITTING, ELBOW 8MJ-8MB 90LL
2	1	0307097	MOTOR, HYDRAULIC PARKER - 4 CU. IN.
3	1	0307579	WINCH - LEFT
--	--	0909137	VALVE PLATE ASSEMBLY-SINGLE WINCH
4	2	0300010	VALVE, 3 SPOOL CONTROL
5	4	0300044	FITTING, CONNECTOR 6MJ-8MB
6	2	0301620	FITTING, HYDRAULIC 6MJ-6MB 90
7	4	0303017	FITTING, CONNECTOR
8	2	0307460	FITTING, HYDRAULIC 6MJ-6MB 90LL
9	4	0310289	FITTING, LONG ADAPTER 6MJ-8MBLL
--	--	0909140	SUBFRAME ASSEMBLY - 411/412 FI
10	2	0301620	FITTING, HYDRAULIC 6MJ-6MB 90
11	1	0310137	CYLINDER - BOOM LIFT
12	2	810770015	HOSE ASSEMBLY, 29" 4M2T 6FJX90S-6FJX
--	--	0909142	BASIC UNIT ASSEMBLY - 411
13	2	0310239	HOSE ASSEMBLY, 40"
--	--	0910277	BOOM ASSEMBLY, 8TON CONV 880/400
14	2	0301620	FITTING, CONNECTOR 6MJ-6MB
15	2	0310242	HOSE ASSEMBLY, 38"
16	1	0310488	CYLINDER, 2-1/2 BORE - 1-3/4 ROD - 60

Section I - PARTS (cont'd)

412 BOOM & WINCH HYDRAULICS



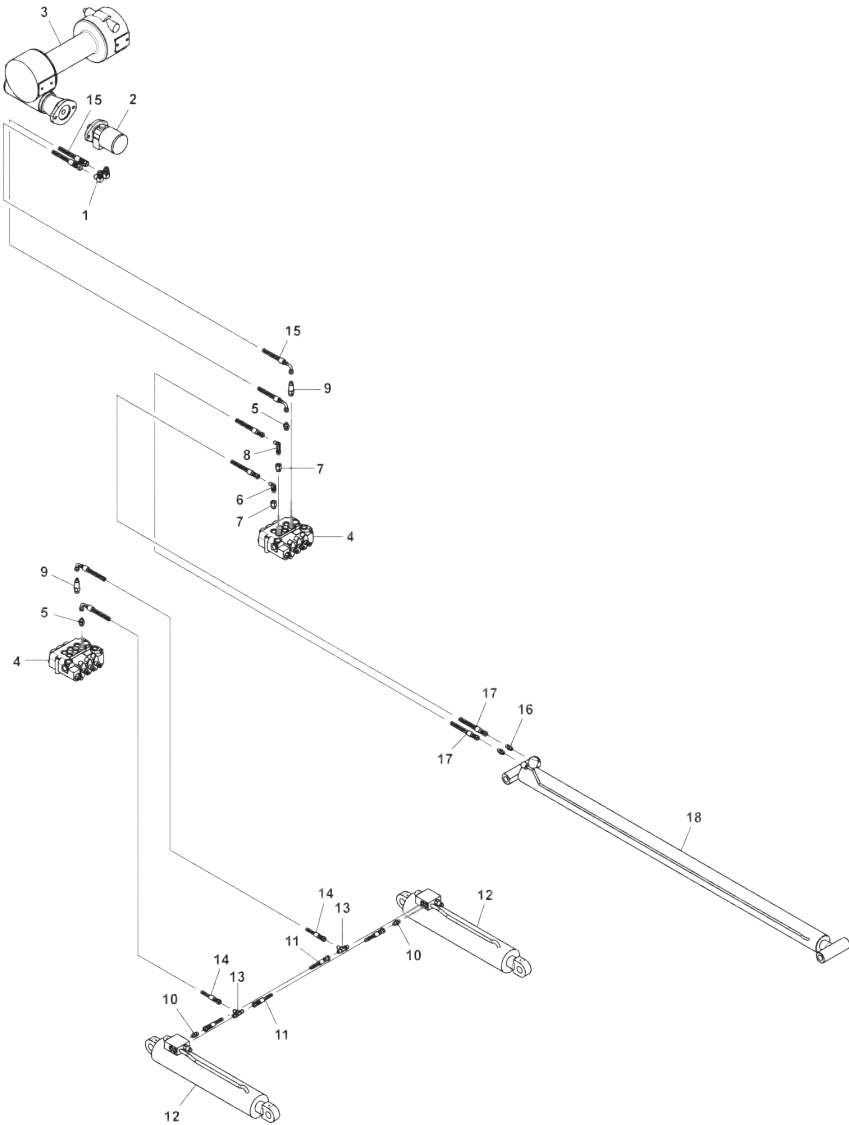
Section I - PARTS (cont'd)

412 BOOM & WINCH HYDRAULICS

REF. NO.	NO. REQ'D	PART NUMBER	DESCRIPTION
--	--	0908391	8K DUAL WINCH BUCKET ASSEMBLY
1	4	0301388	FITTING, 90ELL8MJ-8MB90
2	2	0307097	MOTOR, HYDRAULIC PARKER - 4 CU. IN.
3	1	0307579	WINCH - LEFT
4	1	0307580	WINCH - RIGHT
--	--	0909138	VALVE PLATE ASSEMBLY - DUAL WINCH
5	1	0300010	VALVE, 3 SPOOL CONTROL
6	1	0300011	VALVE, 4 SPOOL CONTROL
7	5	0300044	FITTING, CONNECTOR 6MJ-8MB
8	2	0301620	FITTING, HYDRAULIC 6MJ-6MB90
9	4	0303017	FITTING, CONNECTOR
10	2	0307460	FITTING, HYDRAULIC 6MJ-6MB90LL
11	1	0310289	FITTING, LONG ADAPTER6MJ-8MBLL
--	--	0909140	SUBFRAME ASSEMBLY - 411/412 FI
12	2	0301620	FITTING, HYDRAULIC 6MJ-6MB90
13	1	0310137	CYLINDER - BOOM LIFT
14	2	810770015	HOSE ASSEMBLY, 29" 4M2T6FJX90S-6FJX
--	--	0909142	BASIC UNIT ASSEMBLY - 412
15	2	0302584	HOSE ASSEMBLY, 50"
--	--	0910277	BOOM ASSEMBLY, 8 TON CONV 880/400
16	2	0301522	FITTING,CONNECTOR6MJ-6MB
17	2	0310242	HOSE ASSEMBLY, 38"
18	1	0310488	CYLINDER, 2-1/2 BORE - 1-3/4 ROD - 60

Section I - PARTS (cont'd)

601 BOOM & WINCH HYDRAULICS



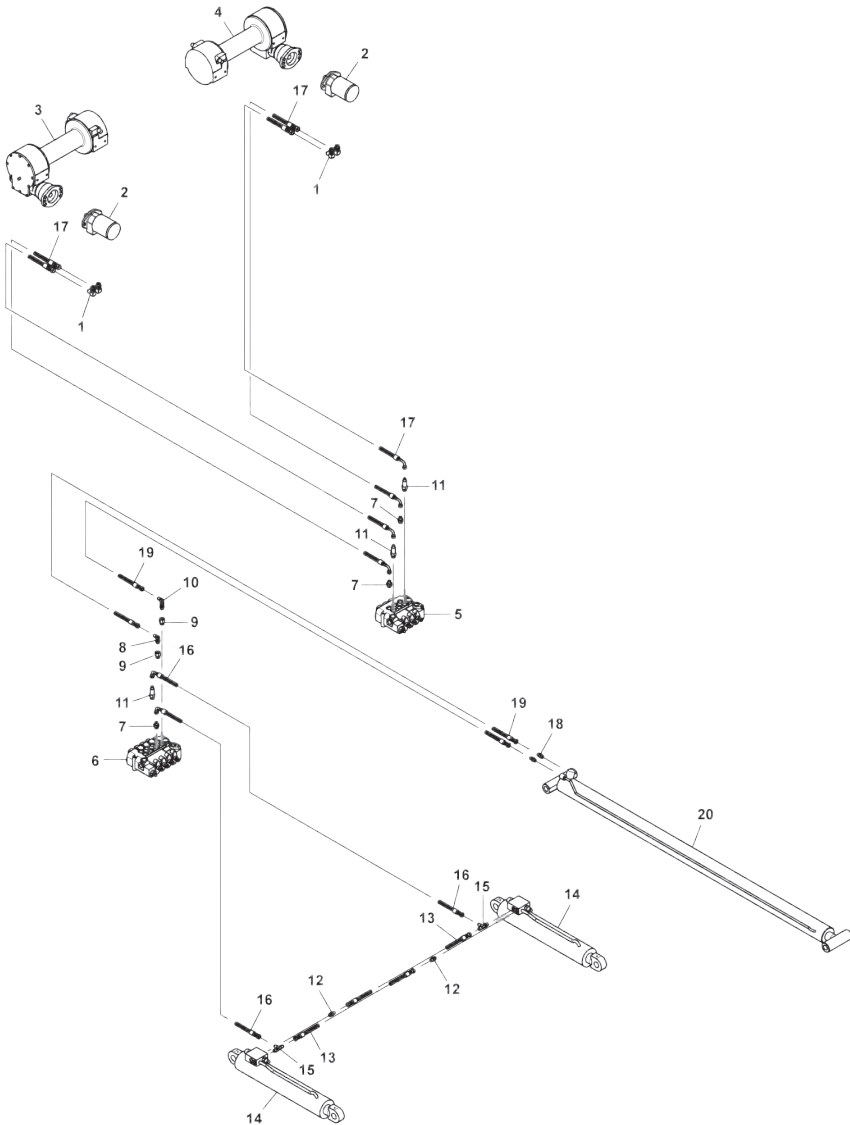
Section I - PARTS (cont'd)

601 BOOM & WINCH HYDRAULICS

REF. NO.	NO. REQ'D	PART NUMBER	DESCRIPTION
--	--	0908392	8K SINGLE WINCH BUCKET ASSEMBLY
1	2	0302508	FITTING, ELL8MJ-8MB90LL
2	1	0307097	MOTOR, HYDRAULIC PARKER - 4 CU. IN.
3	1	0307579	WINCH - LEFT
--	--	0909137	VALVE PLATE ASSEMBLY - SINGLE WINCH
4	2	0300010	VALVE, 3 SPOOL CONTROL
5	5	0300044	FITTING, CONNECTOR 6MJ-8MB
6	2	0301620	FITTING, HYDRAULIC 6MJ-6MB90
7	4	0303017	FITTING, CONNECTOR
8	2	0307460	FITTING, HYDRAULIC 6MJ-6MB90LL
9	1	0310289	FITTING, LONG ADAPTER 6MJ-8MBLL
--	--	0909141	SUBFRAME ASSEMBLY - 601/602 F6500
10	5	0301522	FITTING, CONNECTOR 6MJ-6MB
11	2	0301524	HOSE, 4AT2(6FJX-6FJX) 14"
12	2	0307576	CYLINDER - BOOM LIFT 3.50 X 17.75
13	2	9012594	FITTING, HYDRAULIC RUNTEE 6MJX6MBX6MJ
14	2	810770015	HOSE ASSEMBLY, 29" 4M2T6FJX90S-6FJX
--	--	0909147	BASIC UNIT ASSEMBLY - 601
15	2	0310239	HOSE ASSEMBLY, 40"
--	--	0910278	BOOM ASSEMBLY, 10 TON CONV 890/602
16	2	0301522	FITTING, CONNECTOR 6MJ-6MB
17	2	0310242	HOSE ASSEMBLY, 38"
18	1	0310493	CYLINDER, 3 BORE - 1-3/4 ROD - 60 STR

Section I - PARTS (cont'd)

602 BOOM & WINCH HYDRAULICS



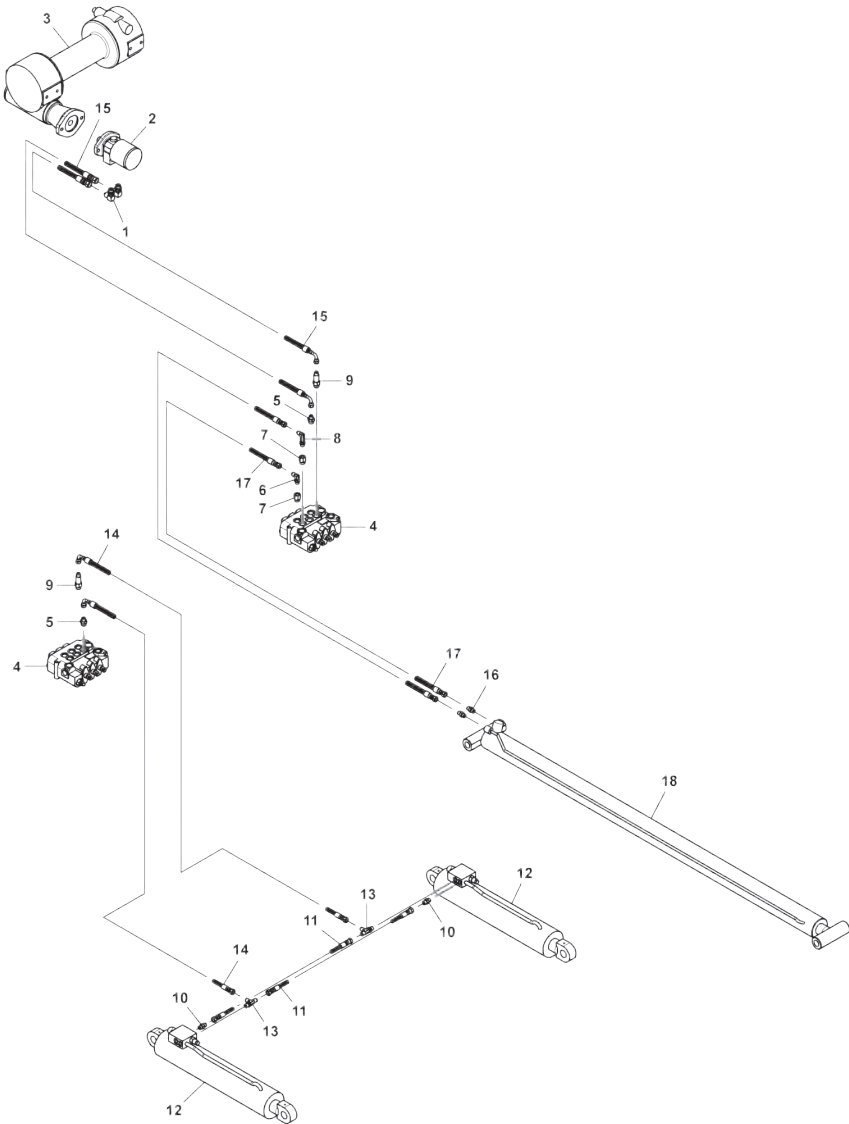
Section I - PARTS (cont'd)

602 BOOM & WINCH HYDRAULICS

REF. NO.	NO. REQ'D	PART NUMBER	DESCRIPTION
--	--	0908391	8K DUAL WINCH BUCKET ASSEMBLY
1	4	0301388	FITTING, 90ELL8MJ-8MB90
2	2	0307097	MOTOR, HYDRAULIC PARKER 4 CU. IN.
3	1	0307579	WINCH - LEFT
4	1	0307580	WINCH - RIGHT
--	--	0909138	VALVE PLATE ASSEMBLY - DUAL WINCH
5	1	0300010	VALVE, 3 SPOOL CONTROL
6	1	0300011	VALVE, 4 SPOOL CONTROL
7	5	0300044	FITTING, CONNECTOR 6MJ-8MB
8	2	0301620	FITTING, HYDRAULIC 6MJ-6MB90
9	4	0303017	FITTING, CONNECTOR
10	2	0307460	FITTING, HYDRAULIC 6MJ-6MB90LL
11	1	0310289	FITTING, LONG ADAPTER 6MJ-8MBLL
--	--	0909141	SUBFRAME ASSEMBLY - 601/602 F6500
12	5	0301522	FITTING, CONNECTOR 6MJ-6MB
13	2	0301524	HOSE, 4AT2(6FJX-6FJX) 14"
14	2	0307576	CYLINDER - BOOM LIFT 3.50 X 17.75
15	2	9012594	FITTING, HYDRAULIC RUNTEE 6MJX6MBX6MJ
16	2	810770015	HOSE ASSEMBLY, 29" 4M2T6FJX90S-6FJX
--	--	0909149	BASIC UNIT ASSEMBLY - 602
17	2	0302584	HOSE ASSEMBLY, 50"
--	--	0910278	BOOM ASSEMBLY, 10 TON CONV 890/602
18	2	0301522	FITTING, CONNECTOR 6MJ-6MB
19	2	0310242	HOSE ASSEMBLY, 38"
20	1	0310493	CYLINDER, 3 BORE - 1-3/4 ROD - 60 STR

Section I - PARTS (cont'd)

611 BOOM & WINCH HYDRAULICS



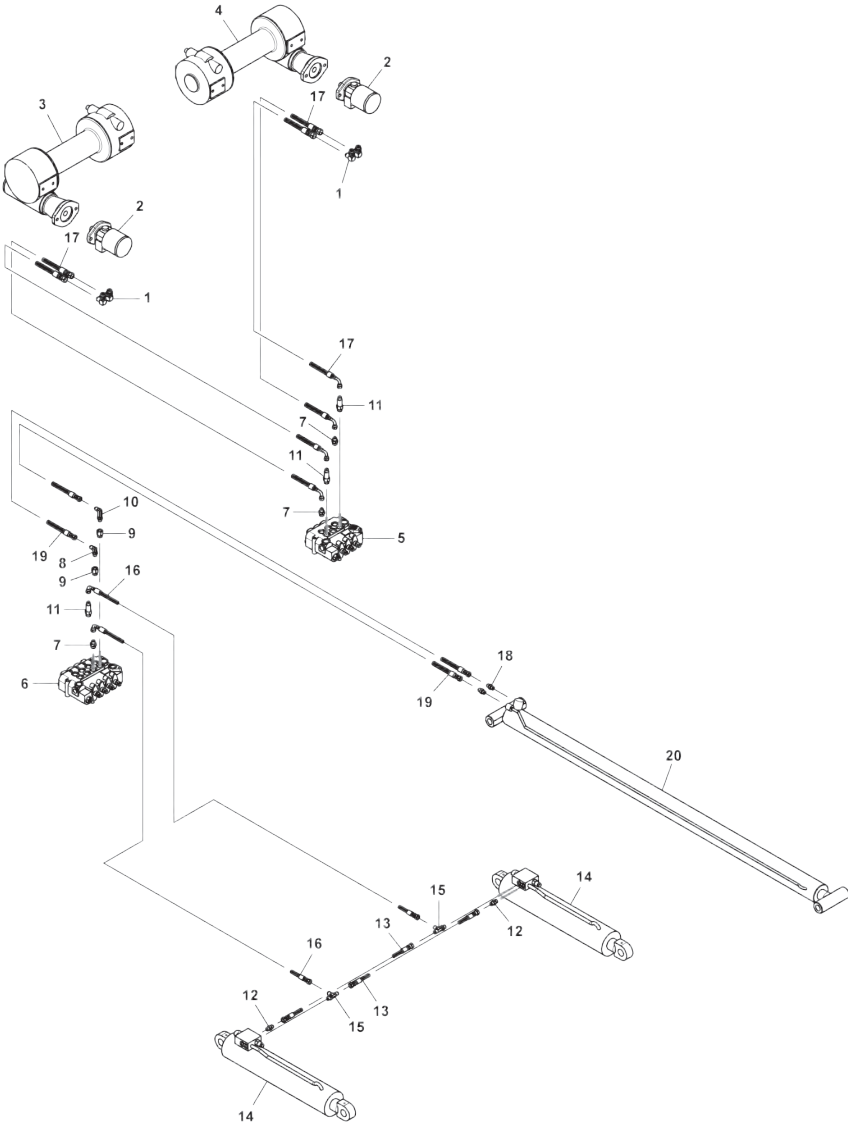
Section I - PARTS (cont'd)

611 BOOM & WINCH HYDRAULICS

REF. NO.	NO. REQ'D	PART NUMBER	DESCRIPTION
--	--	0908717	10K SINGLE WINCH BUCKET ASSEMBLY
1	2	0301388	FITTING, 90ELL8MJ-8MB90
2	1	0307101	MOTOR, HYDRAULIC PARKER
3	1	0310420	WINCH - LEFT RAMSEY 6 TON
--	--	0909137	VALVE PLATE ASSEMBLY - SINGLE WINCH
4	2	0300010	VALVE, 3 SPOOL CONTROL
5	5	0300044	FITTING, CONNECTOR 6MJ-8MB
6	2	0301620	FITTING, HYDRAULIC 6MJ-6MB90
7	4	0303017	FITTING, CONNECTOR
8	2	0307460	FITTING, HYDRAULIC 6MJ-6MB90LL
9	1	0310289	FITTING, LONG ADAPTER 6MJ-8MBLL
--	--	0909157	SUBFRAME ASSEMBLY - 611/612 F6500
10	5	0301522	FITTING, CONNECTOR 6MJ-6MB
11	2	0301524	HOSE, 4AT2(6FJX-6FJX) 14"
12	2	0307577	CYLINDER-BOOMLIFT4.00X17.75
13	2	9012594	FITTING, HYDRAULIC RUNTEE 6MJX6MBX6MJ
14	2	810770015	HOSE ASSEMBLY, 29" 4M2T6FJX90S-6FJX
--	--	0909152	BASIC UNIT ASSEMBLY - 611
15	2	0310239	HOSE ASSEMBLY, 40"
--	--	0910279	BOOM ASSEMBLY, 12 TON CONV 612
16	2	0301522	FITTING, CONNECTOR 6MJ-6MB
17	2	0310242	HOSE ASSEMBLY, 38"
18	1	0310493	CYLINDER,3 BORE - 1-3/4 ROD - 60 STR

Section I - PARTS (cont'd)

612 BOOM & WINCH HYDRAULICS



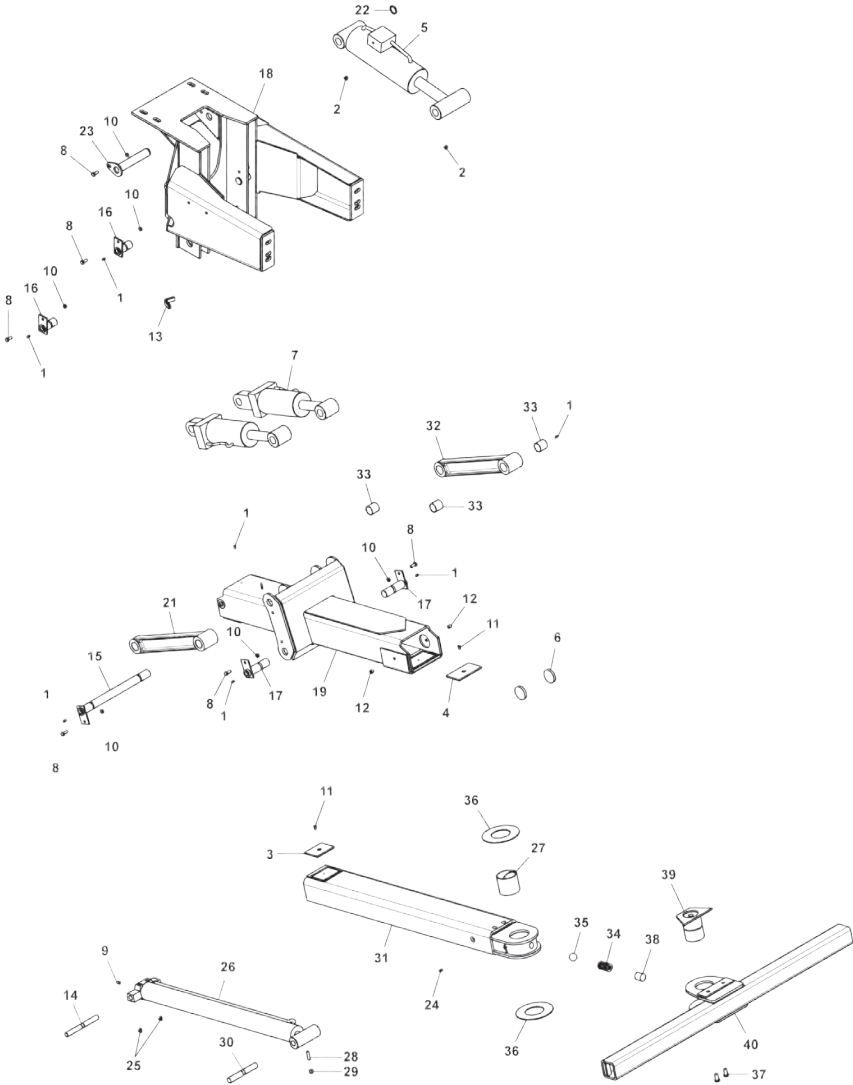
Section I - PARTS (cont'd)

612 BOOM & WINCH HYDRAULICS

REF. NO.	NO. REQ'D	PART NUMBER	DESCRIPTION
--	--	0908391	10K DUAL WINCH BUCKET ASSEMBLY
1	4	0301388	FITTING, 90ELL8MJ-8MB90
2	2	0307101	MOTOR, HYDRAULIC PARKER
3	1	0310420	WINCH-LEFT RAMSEY 6 TON
4	1	0310421	WINCH-RIGHT RAMSEY 6 TON
--	--	0909138	VALVE PLATE ASSEMBLY-DUAL WINCH
5	1	0300010	VALVE, 3 SPOOL CONTROL
6	1	0300011	VALVE, 4 SPOOL CONTROL
7	5	0300044	FITTING, CONNECTOR 6MJ-8MB
8	2	0301620	FITTING, HYDRAULIC 6MJ-6MB90
9	4	0303017	FITTING, CONNECTOR
10	2	0307460	FITTING, HYDRAULIC 6MJ-6MB90LL
11	1	0310289	FITTING, LONG ADAPTER 6MJ-8MBLL
--	--	0909157	SUBFRAME ASSEMBLY - 611/612 F6500
12	5	0301522	FITTING, CONNECTOR 6MJ-6MB
13	2	0301524	HOSE, 4AT2(6FJX-6FJX) 14"
14	2	0307577	CYLINDER - BOOMLIFT 4.00 X 17.75
15	2	9012594	FITTING, HYDRAULIC RUNTEE 6MJX6MBX6MJ
16	2	810770015	HOSE ASSEMBLY, 29" 4M2T6FJX90S-6FJX
--	--	0909154	BASIC UNIT ASSEMBLY - 612
17	2	0302584	HOSE ASSEMBLY, 50"
--	--	0910279	BOOM ASSEMBLY, 12TON CONV 612
18	2	0301522	FITTING, CONNECTOR 6MJ-6MB
19	2	0310242	HOSE ASSEMBLY, 38"
20	1	0310493	CYLINDER, 3 BORE - 1-3/4 ROD - 60 STR

Section I - PARTS (cont'd)

FORMULA I WHEEL LIFT ASSEMBLY



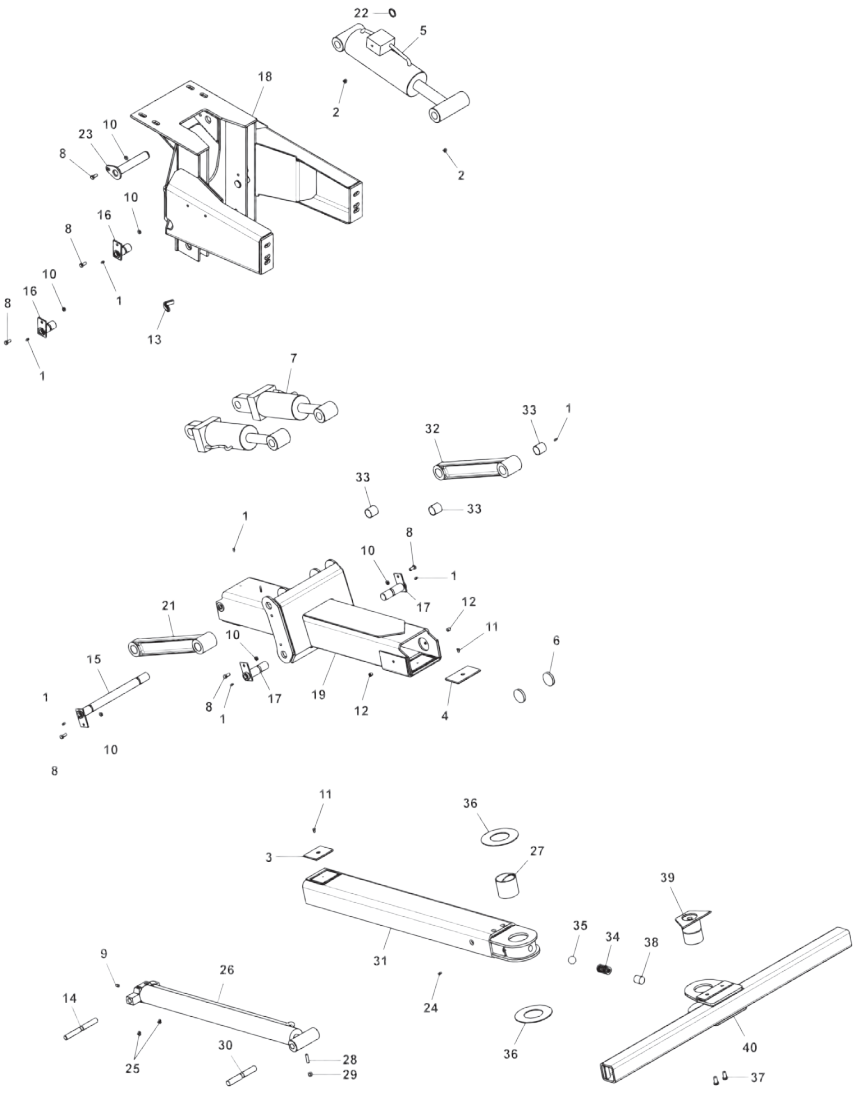
Section I - PARTS (cont'd)

FORMULA I WHEEL LIFT ASSEMBLY

REF. NO.	NO. REQ'D	PART NUMBER	DESCRIPTION
--	--	0904144	WHEEL LIFT ASSEMBLY
1	9	0300113	GREASE FITTING, 1/4"-28 STRAIGHT
2	2	0301397	GREASE FITTING, 1/4"-28 X 90 DEG
3	1	0301850	PAD - NYLATRON
4	1	0303018	SLIDE PAD - NYLATRON GS
5	1	0303681	CYLINDER HYDRAULIC LIFT, FI&F6500
6	2	0306819	PAD - SLIDE (2 1/4 DIA UHMW)
7	2	0307032	CYLINDER HYDRAULIC TILT (L&R)
8	8	0400141	3/8"-16 X 7/8" HHCS GR5 ZP
9	1	0400353	3/8" X 1/2" SET SCREW W/PATCH
10	8	0400398	3/8"-16 NYLOK HALF-NUT ZP
11	2	0400596	1/4"- 20 X 1/2" SOCKET BUTTON HD
12	2	0400990	SET SCREW, 1/2"- 13 x 1/2" SOCKET, CUP PT
13	4	0703422	GUARD, HOSE
14	1	0717459	PIN - EXTEND CYLINDER
15	1	0801009	SHAFT-PIN ASSEMBLY UPPER BOOM
16	4	0801011	SHAFT-PIN ASSEMBLY-ARM & FRAME
17	2	0803241	SHAFT - TILT CYLINDER @ BOOM
18	1	0803640	FRAME-W/L WELDMENT
19	1	0805928	OUTER BOOM - F4000
20	1	0904145	-BOOM-INNER ASSEMBLY
21	2	0906575	UPPER PARALLEL ARM - FI
22	1	9056125	1.25 NOM HVY DUTY RET RING EXT
23	1	880401000	PIN-STINGER UPPER TILT C

Section I - PARTS (cont'd)

FORMULA I WHEEL LIFT ASSEMBLY (cont'd)



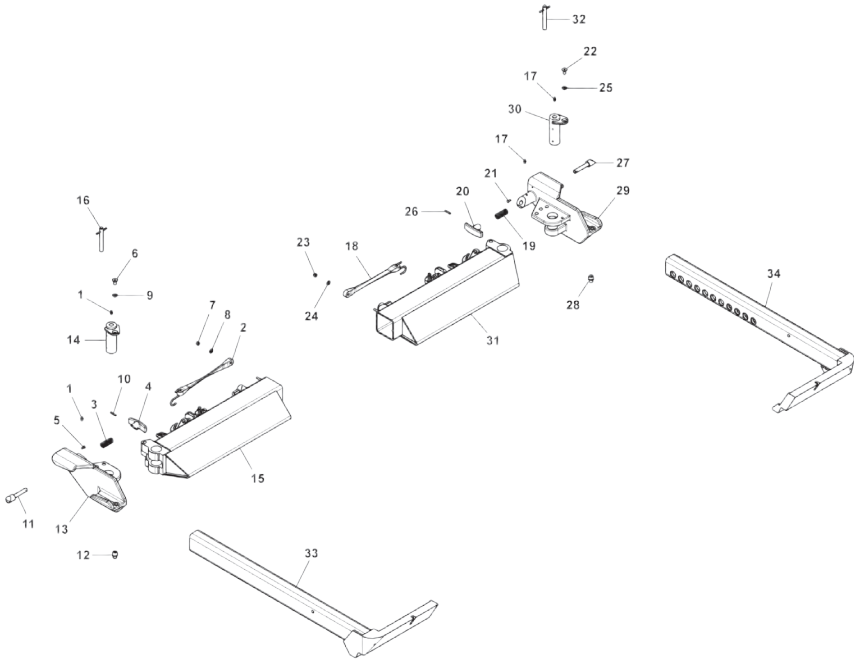
Section I - PARTS (cont'd)

FORMULA I WHEEL LIFT ASSEMBLY (cont'd)

REF. NO.	NO. REQ'D	PART NUMBER	DESCRIPTION
--	--	0904145	BOOM-INNER ASSEMBLY
24	1	0300113	GREASE FITTING,1/4"-28 STRAIGHT
25	2	0301397	GREASE FITTING,1/4"-28 X 90 DEG
26	1	0301825	CYLINDER HYDRAULIC EXTEND
27	1	0306879	BUSHING - (ALUM BRONZE)
28	1	0400139	3/8"-16 X 1 1/2" HEX SKT SET
29	1	0400392	3/8"-16 NYLOK HEX NUT ZINC
30	1	0702131	SHAFT, INNER TUBE CYL
31	1	0803639	BOOM INNER WELDMENT
--	--	0906575	UPPER PARALLEL ARM - FI
32	1	0200040	CASTING - UPPER ARM
33	3	0303016	SUPER OILITE BUSHING
--	--	0903601	CROSSBAR ASSEMBLY - 3
34	1	0301197	COMP.SPRING,CROSS BAR,FI
35	1	0301398	STEEL BALL, 1-3/16" DIA
36	2	0303402	THRUST WASHER (NYLATRON)
37	2	0701956	SCREW,OUT CR TUBE RET,FI
38	1	0708470	SPACER - DETENT BALL SPRG
39	1	0801073	PIN-PIVOT
40	1	0803238	CROSSBAR-INNER WELDMENT

Section I - PARTS (cont'd)

FORMULA I OUTER CROSSTUBES



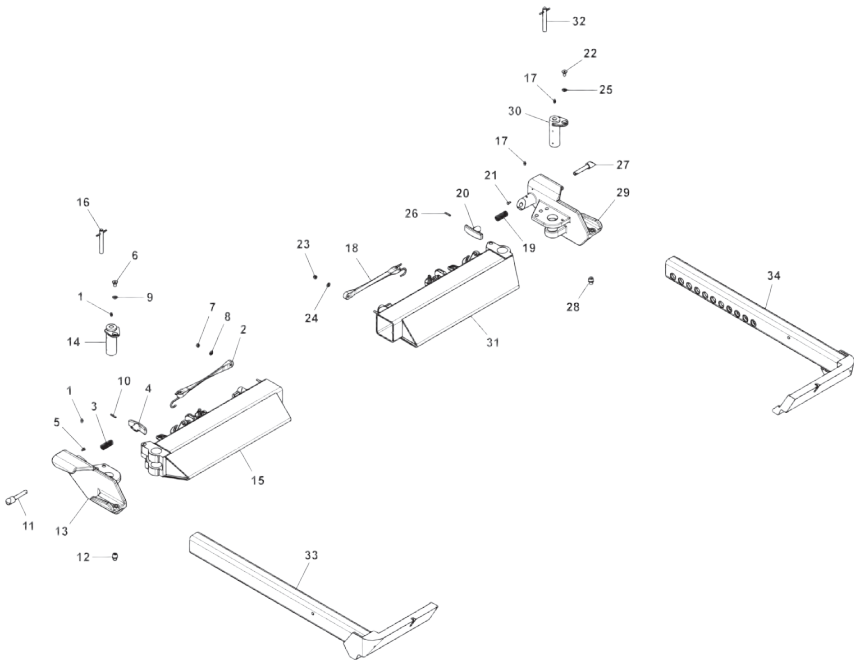
Section I - PARTS (cont'd)

FORMULA I OUTER CROSSTUBES

REF. NO.	NO. REQ'D	PART NUMBER	DESCRIPTION
--	--	0904152	CROSSTUBE-LT OUTER &PIV
1	3	0300113	GREASE FITTING, 1/4"-28 STRAIGHT
2	1	0301956	STRAP, 10RUBBER W/S-HKS
3	1	0302641	SPRING - PLUNGER PIN
4	1	0302648	"T" HANDLE
5	1	0400044	DRIVE SCREW, #10-24 X 1/2" RD HD
6	1	0400349	3/8"-16 X 3/4" FLT SOC HD
7	1	0400367	1/4"-20 NYLOK HEX NUT ZP
8	1	0400451	1/4" FLATWASHER ZP
9	1	0400483	3/8" COUNTER SUNK LOCKWASHER
10	1	0400559	3/16" X 1" ROLL PIN ZP
11	1	0707505	PIN - PLUNGER
12	1	0712933	PIN - ALIGNMENT
13	1	0719079	ENDPLATE - LEFT (FI 65000)
14	1	0802187	SHAFT-PIVOT
15	1	0802675	CROSSTUBE-OUTER-LH (FI)
16	1	0904744	PIN ASSEMBLY
--	--	0904153	CROSSTUBE-RT OUTER &PIV
17	3	0300113	GREASE FITTING, 1/4"-28 STRAIGHT
18	1	0301956	STRAP, 10RUBBER W/S-HKS
19	1	0302641	SPRING - PLUNGER PIN
20	1	0302648	"T" HANDLE
21	1	0400044	DRIVE SCREW, #10-24 X 1/2" RD HD
22	1	0400349	3/8-16X3/4 FLT SOC HD

Section I - PARTS (cont'd)

FORMULA I OUTER CROSSTUBES (cont'd)



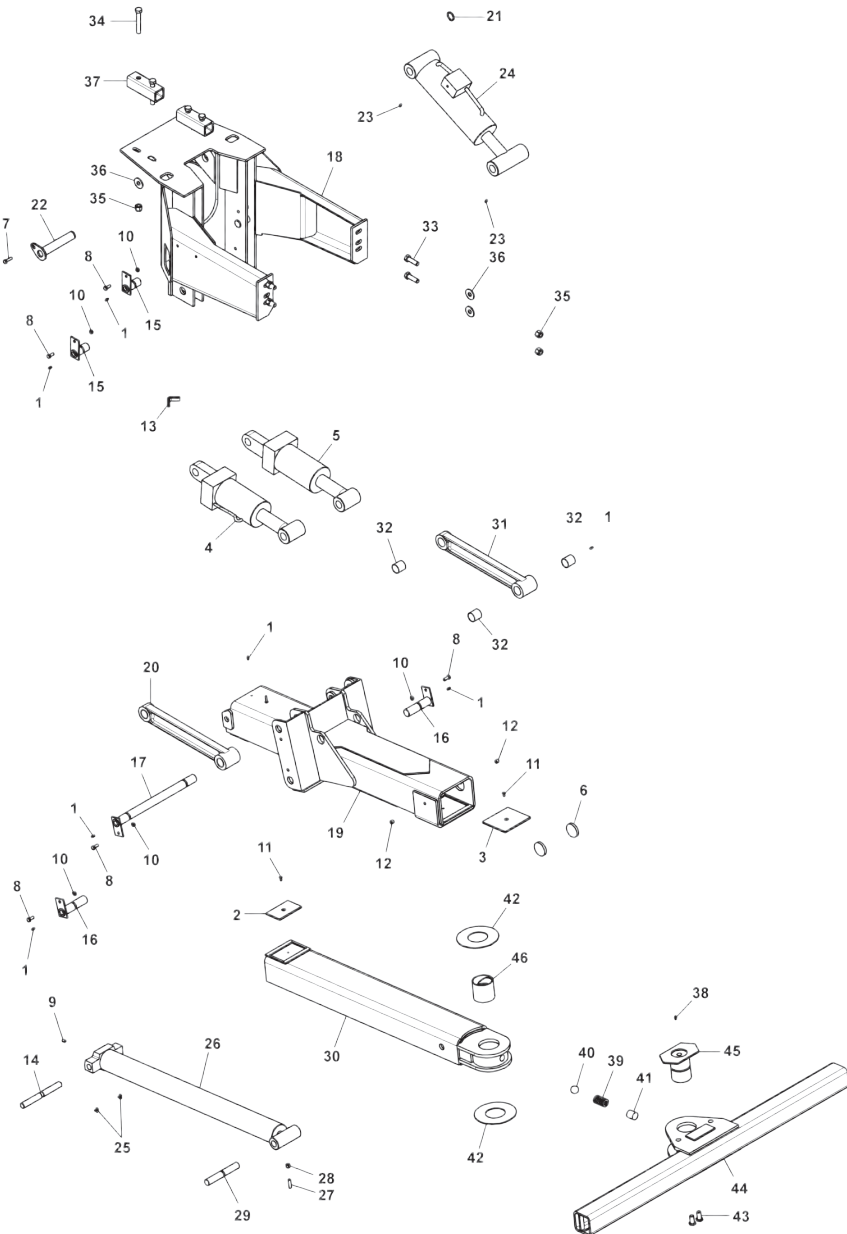
Section I - PARTS (cont'd)

FORMULA I OUTER CROSSTUBES (cont'd)

REF. NO.	NO. REQ'D	PART NUMBER	DESCRIPTION
--	--	0904153	CROSSTUBE-RT OUTER & PIV (cont'd)
22	1	0400349	3/8-16X3/4 FLT SOC HD
23	1	0400367	1/4"-20 NYLOK HEX NUT ZP
24	1	0400451	1/4" FLATWASHER ZP
25	1	0400483	3/8" COUNTER SUNK LOCKWASHER
26	1	0400559	3/16" X 1" ROLL PIN ZP
27	1	0707505	PIN - PLUNGER
28	1	0712933	PIN - ALIGNMENT
29	1	0719080	ENDPLATE - RIGHT (FI 65000)
30	1	0802187	SHAFT-PIVOT
31	1	0802676	CROSSTUBE-OUTER-RH (FI)
32	1	0904744	PIN ASSEMBLY
--	--	0904744	PIN ASSEMBLY
		0303918	CABLE ASSEMBLY (NOT SHOWN)
		0400044	DRIVE SCREW, #10-24 X 1/2" RD HD (N.S.)
		0714415	PIN (USE 0904744) (NOT SHOWN)
		HD0107	3/16" X 2" SPRING PIN (NOT SHOWN)
--	--	0904156	RESTRAIN-TIRE & DECAL LH
33	1	0803648	RESTRAIN-TIRE LH (SCOOP)
--	--	0904157	RESTRAIN-TIRE & DECAL RH
34	1	0803649	RESTRAIN-TIRE RH (SCOOP)

Section I - PARTS (cont'd)

FORMULA 6500 WHEEL LIFT ASSEMBLY



Section I - PARTS (cont'd)

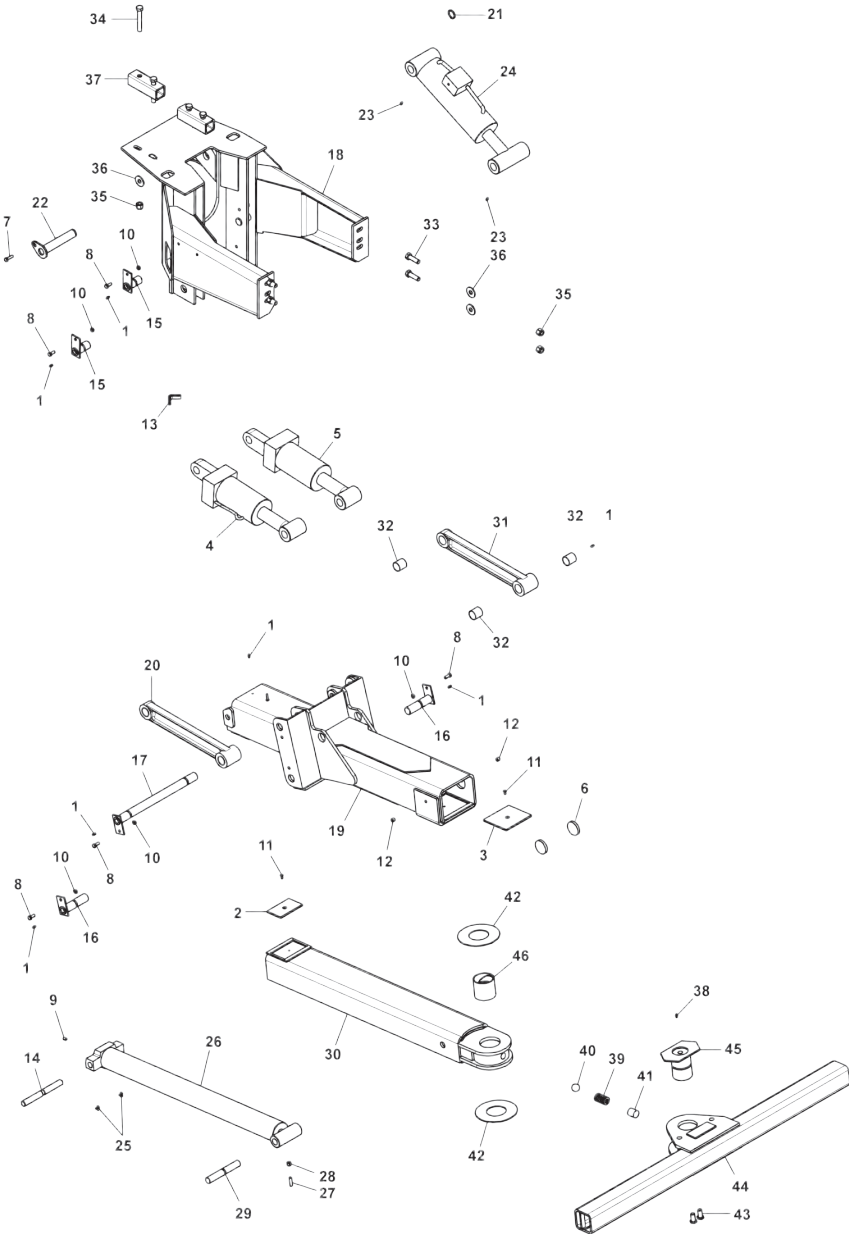
FORMULA 6500 WHEEL LIFT ASSEMBLY

REF. NO.	NO. REQ'D	PART NUMBER	DESCRIPTION
--	--	0903449	WHEEL LIFT ASSEMBLY F6500, 4 TILT
1	9	0300113	GREASE FITTING, 1/4"-28 STRAIGHT
2	1	0303067	SLIDE PAD – INNER BOOM
3	1	0303068	SLIDE PAD – OUTER BOOM
4	1	0303256	CYLINDER HYDRAULIC TILT LEFT 6500
5	1	0303257	CYLINDER HYDRAULIC TILT RIGHT 6500
6	2	0306819	PAD – SLIDE (2 1/4" DIA UHMW)
7	1	0400122	3/8"-16 X 1 1/4" HHCS GR5 ZP
8	7	0400141	3/8"-16 X 7/8" HHCS GR5 ZP
9	1	0400353	3/8" X 1/2" SET SCREW W/PATCH
10	7	0400398	3/8"-16 NYLOK HALF-NUT ZP
11	2	0400596	1/4"- 20 X 1/2" SOCKET BUTTON HD
12	2	0400990	SET SCREW, 1/2"- 13 x 1/2" SOCKET, CUP PT
13	4	0703422	GUARD, HOSE
14	1	0716239	PIN - EXTEND CYLINDER BASE (F6500)
15	4	0802952	PIN WELDMENT, ARMS @ FRAME
16	2	0803101	PIN WELDMENT, ARMS @ BOOM
17	1	0803102	PIN WELDMENT, LIFT CYLINDER ROD
18	1	0804389	FRAME WELDMENT – F6500
19	1	0804394	OUTER BOOM WELDMENT – F6500
20	1	0900881	CYLINDER ASSEMBLY, LIFT, D/T
21	1	0903149	BOOM-INNER ASSEMBLY F6500
22	2	0906575	UPPER PARALLEL ARM - FI
23	1	9056125	1.25 NOM HVY DUTY RET RING EXT
24	1	880401000	PIN-STINGER UPPER TILT C
--	--	0900881	CYLINDER ASSEMBLY, LIFT, D/T
25	2	0300113	GREASE FITTING, 1/4"-28 STRAIGHT
26	1	0303681	CYLINDER HYDRAULIC LIFT, FI & F6500

Section I - PARTS (cont'd)

FORMULA 6500 WHEEL LIFT ASSEMBLY

(cont'd)

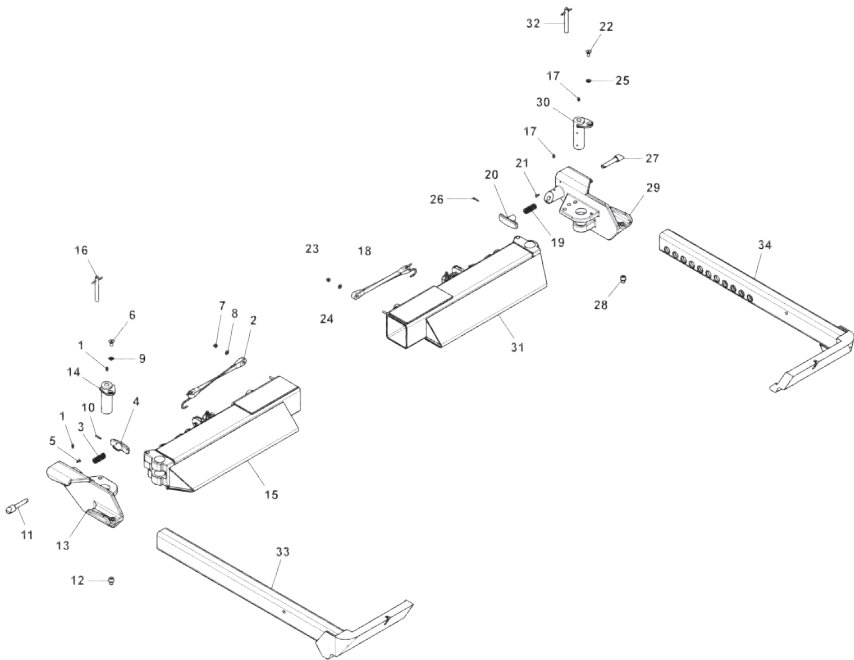


Section I - PARTS (cont'd)
FORMULA 6500 WHEEL LIFT ASSEMBLY
(cont'd)

REF. NO.	NO. REQ'D	PART NUMBER	DESCRIPTION
--	--	0903149	BOOM-INNER ASSEMBLY F6500
27	2	0301397	GREASE FITTING, 1/4"-28 X 90 DEG
28	1	0303065	CYLINDER HYDRAULIC EXTEND F6500 WL
29	1	0400139	3/8"-16 X 1 1/2" HEX SKT SET
30	1	0400392	3/8"-16 NYLOK HEX NUT ZINC
31	1	0709536	PIN - EXTEND CYLINDER ROD
32	1	0805996	INNER BOOM WELDMENT
--	--	0906575	UPPER PARALLEL ARM - FI
33	1	0200040	CASTING - UPPER ARM
34	3	0303016	SUPER OILITE BUSHING
--	--	0903530	HARDWARE - F6500 MOUNTING
35	4	0400260	5/8"-11 X 2" HHCS GR5 ZP
36	4	0400265	5/8"-11 X 4" HHCS GR5 ZP
37	8	0400421	5/8"-11 NYLOK HEX NUT ZP
38	12	0400502	5/8"GR8 EXTRA THICK FLATWASHER YZ
39	2	0702157	TUBE, SPACER- FI W/L
--	--	0906853	CROSSBAR ASSY(56)-W/CNTR BORE
40	1	0300113	GREASE FITTING, 1/4"-28 STRAIGHT
41	1	0301197	COMP.SPRING,CROSS BAR,FI
42	1	0301398	STEEL BALL, 1-3/16" DIA
43	1	0708470	SPACER - DETENT BALL SPRG
44	2	0710092	WASHER - THRUST 6500 W/L
45	2	0716576	SCREW - CROSSBAR RETAINER
46	1	0805857	CROSSBAR-INNER WELDMENT-6500
47	1	0805858	PIN-PIVOT WELDMENT-6500 W/CENTER BORE
48	1	0306879	BUSHING - (ALUM BRONZE)

Section I - PARTS (cont'd)

FORMULA 6500 OUTER CROSSTUBES



Section I - PARTS (cont'd)

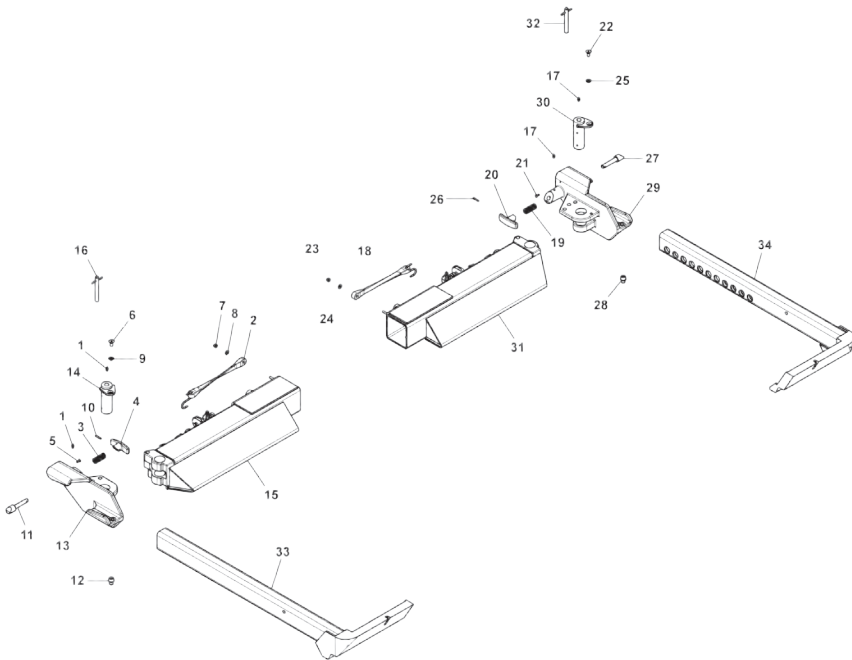
FORMULA 6500 OUTER CROSSTUBES

REF. NO.	NO. REQ'D	PART NUMBER	DESCRIPTION
--	--	0904158	CROSSTUBE-LT OUTER &PIV
1	3	0300113	GREASE FITTING, 1/4"-28 STRAIGHT
2	1	0301956	STRAP, 10RUBBER W/S-HKS
3	1	0302641	SPRING - PLUNGER PIN
4	1	0302648	"T" HANDLE
5	1	0400044	DRIVE SCREW, #10-24 X 1/2" RD HD
6	1	0400349	3/8"-16 X 3/4" FLT SOC HD
7	1	0400367	1/4"-20 NYLOK HEX NUT ZP
8	1	0400451	1/4" FLATWASHER ZP
9	1	0400483	3/8" CNTR'SUNK LOCKWASHER
10	1	0400559	3/16" X 1" ROLL PIN ZP
11	1	0707505	PIN - PLUNGER
12	1	0712933	PIN - ALIGNMENT
13	1	0719079	ENDPLATE - LEFT (FI 65000)
14	1	0802187	SHAFT-PIVOT
15	1	0802677	CROSSTUBE-OUTER-LH (FI)
16	1	0904744	PIN ASSEMBLY
--	--	0904159	PIN ASSEMBLY
		0303918	CABLE ASSEMBLY (NOT SHOWN)
		0400044	DRIVE SCREW, #10-24 X 1/2" RD HD (N.S.)
		0714415	PIN (USE 0904744) (NOT SHOWN)
		HD0107	3/16" X 2" SPRING PIN (NOT SHOWN)

Section I - PARTS (cont'd)

FORMULA 6500

OUTER CROSTUBES (cont'd)



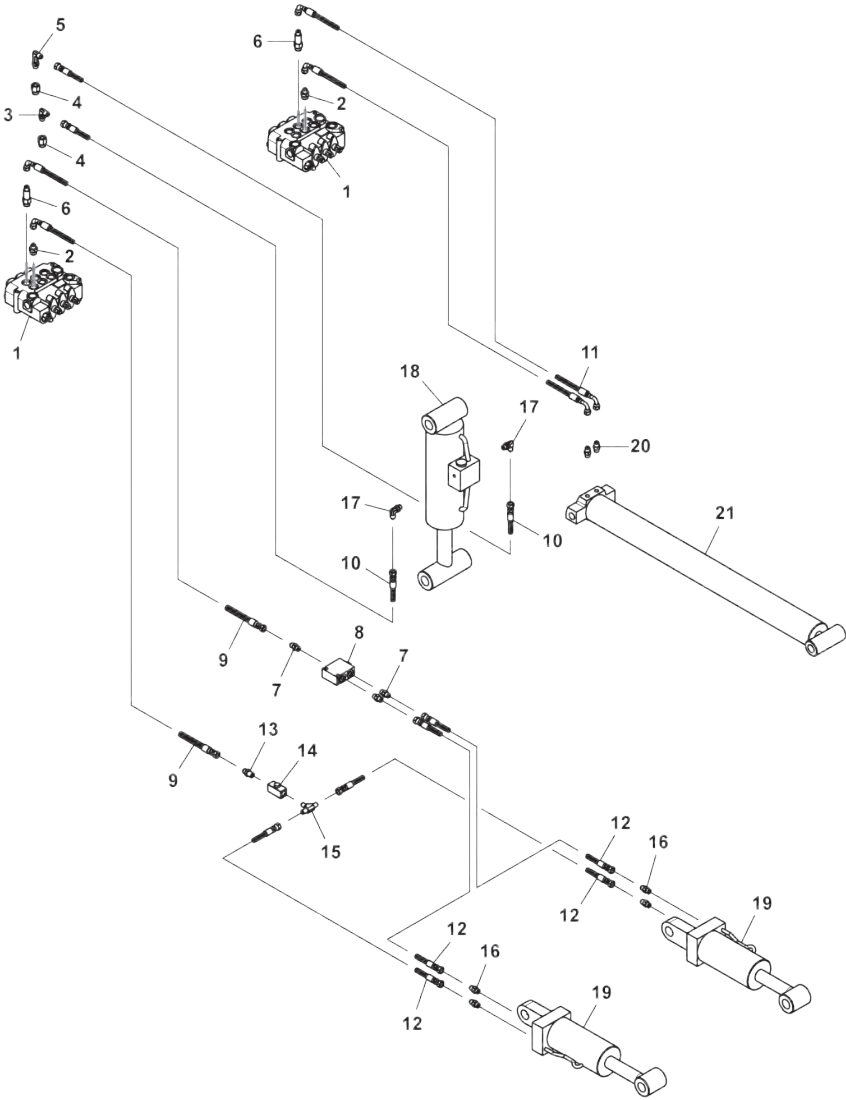
Section I - PARTS (cont'd)
FORMULA 6500
OUTER CROSSTUBES (cont'd)

REF. NO.	NO. REQ'D	PART NUMBER	DESCRIPTION
--	--	0904153	CROSSTUBE-RT OUTER &PIV
17	3	0300113	GREASE FITTING,1/4-28 STRAIGHT
18	1	0301956	STRAP, 10RUBBER W/S-HKS
19	1	0302641	SPRING - PLUNGER PIN
20	1	0302648	"T" HANDLE
21	1	0400044	DRIVE SCREW, #10-24 X 1/2" RD HD
22	1	0400349	3/8-16X3/4 FLT SOC HD
23	1	0400367	1/4-20 NYLOK HEX NUT ZP
24	1	0400451	1/4 FLATWASHER ZP
25	1	0400483	3/8 CNTR'SUNK LOCKWASHER
26	1	0400559	3/16X1" ROLL PIN ZP
27	1	0707505	PIN - PLUNGER
28	1	0712933	PIN - ALIGNMENT
29	1	0719080	ENDPLATE – RIGHT (FI 65000)
30	1	0802187	SHAFT-PIVOT
31	1	0802678	CROSSTUBE-OUTER-RH (FI)
32	1	0904744	PIN ASSEMBLY
--	--	0904744	PIN ASSEMBLY
		0303918	CABLE ASSEMBLY (NOT SHOWN)
		0400044	DRIVE SCREW, #10-24 X 1/2" RD HD (N.S.)
		0714415	PIN (USE 0904744) (NOT SHOWN)
		HD0107	3/16" X 2" SPRING PIN (NOT SHOWN)
--	--	0904156	RESTRAIN-TIRE & DECAL LH
33	1	0803648	RESTRAIN-TIRE LH (SCOOP)
--	--	0904157	RESTRAIN-TIRE & DECAL RH
34	1	0803649	RESTRAIN-TIRE RH (SCOOP)

Section I - PARTS (cont'd)

DUAL 3-SPOOL VALVE

FORMULA I WHEEL LIFT HYDRAULICS



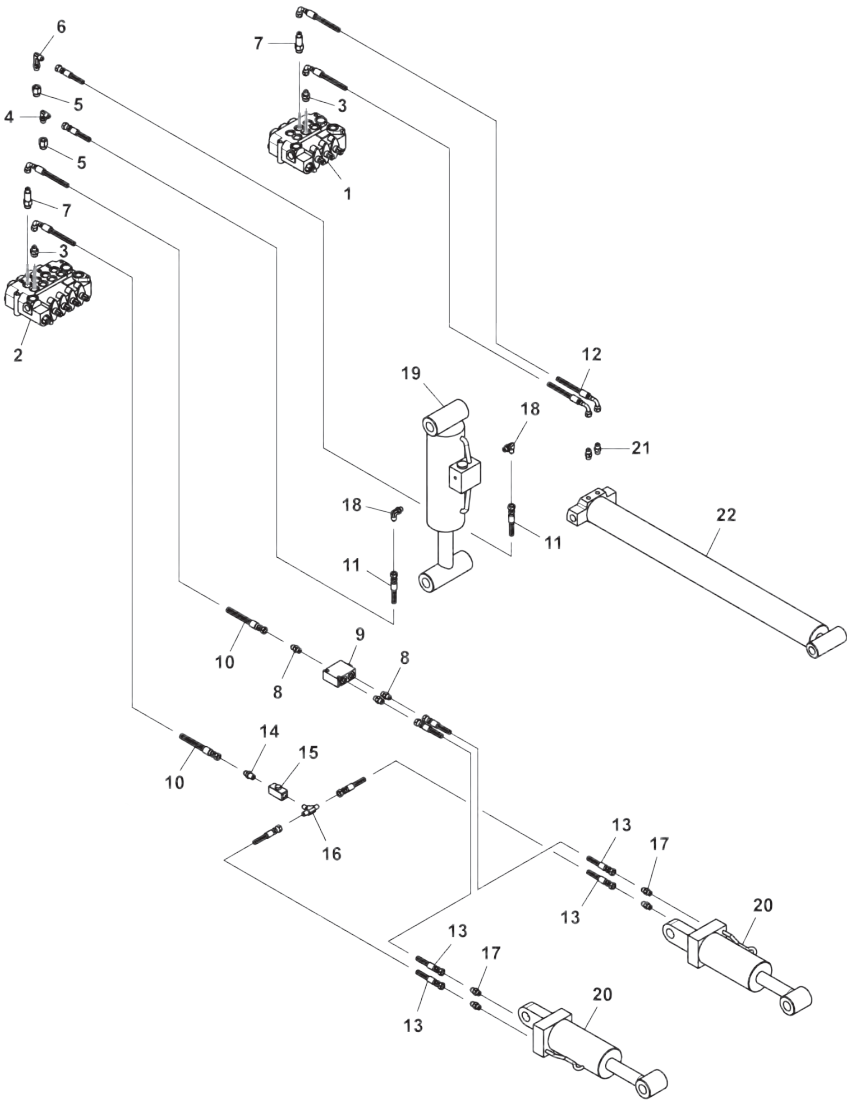
Section I - PARTS (cont'd)
DUAL 3-SPOOL VALVE
FORMULA I WHEEL LIFT HYDRAULICS

REF. NO.	NO. REQ'D	PART NUMBER	DESCRIPTION
--	--	0909137	VALVE PLATE ASSEMBLY-SINGLE WINCH
1	2	0300010	VALVE, 3 SPOOL CONTROL
2	4	0300044	FITTING, CONNECTOR 6MJ-8MB
3	2	0301620	FITTING, HYDRAULIC 6MJ-6MB 90
4	4	0303017	FITTING, CONNECTOR
5	2	0307460	FITTING, HYDRAULIC 6MJ-6MB 90LL
6	4	0310289	FITTING, LONG ADAPTER 6MJ-8MBLL
--	--	0909140	SUBFRAME ASSEMBLY - 411/412 FI
7	5	0301522	FITTING, CONNECTOR 6MJ-6MB
8	1	0303384	FLOW DIVIDER 9S003238
9	2	0310311	HOSE ASSEMBLY, 72" LG
10	2	0310312	HOSE ASSEMBLY, 84" LG
11	2	0310313	HOSE ASSEMBLY, 108" LG
12	4	0310314	HOSE ASSEMBLY, 42" LG
--	--	0900947	RESTRICTOR ASSEMBLY TILT HOSE
13	1	0301425	FITTING, CONNECTOR
14	1	0301854	RESTRICTOR VALVE
15	1	0301855	FITTING, BRANCH TEE 6MJ-6MJ-6MP
--	--	0904144	WHEEL LIFT ASSEMBLY
16	4	0301522	FITTING, CONNECTOR 6MJ-6MB
17	2	0301620	FITTING, HYDRAULIC 6MJ-6MB 90
18	1	0303681	CYLINDER HYDRAULIC LIFT FI&F6500
19	2	0307032	CYLINDER HYDRAULIC TILT (L&R)
--	--	0904145	BOOM INNER ASSEMBLY
20	2	0301522	FITTING, CONNECTOR 6MJ-6MB
21	1	0301825	CYLINDER HYDRAULIC EXTEND

Section I - PARTS (cont'd)

3 & 4 SPOOL VALVE

FORMULA I WHEEL LIFT HYDRAULICS



Section I - PARTS (cont'd)

3 & 4 SPOOL VALVE

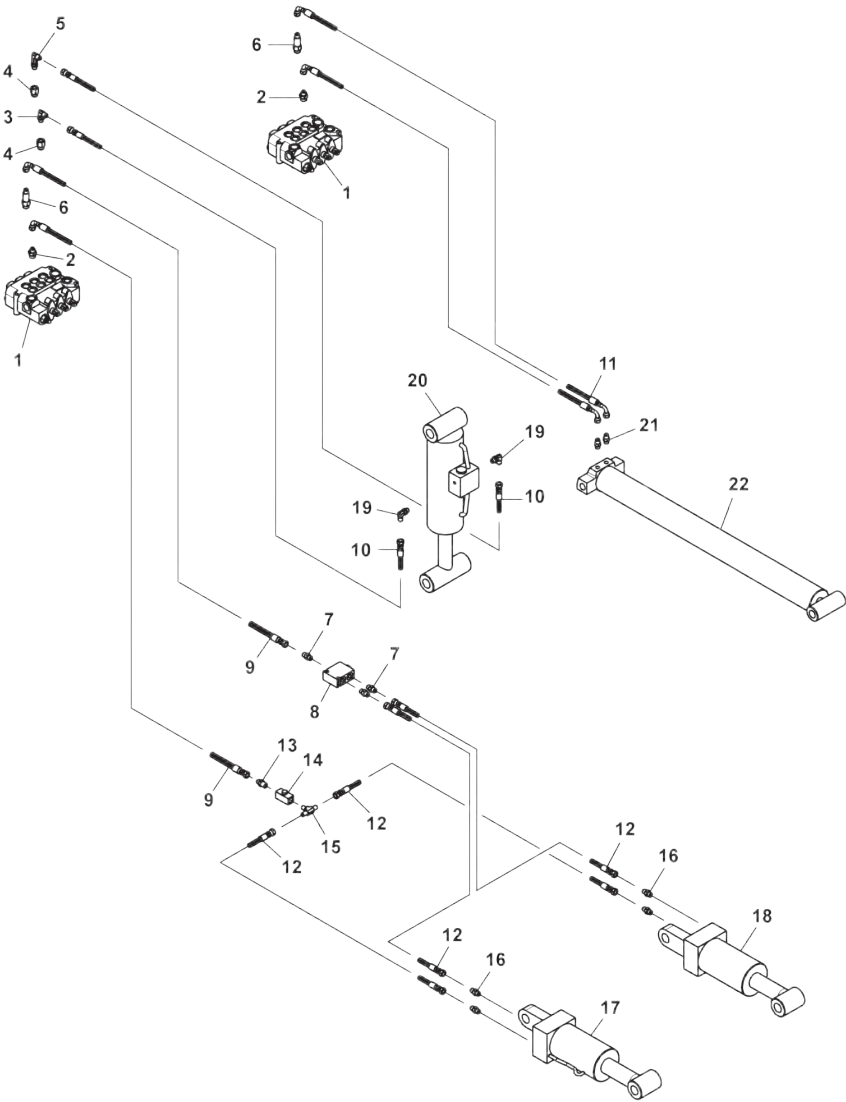
FORMULA I WHEEL LIFT HYDRAULICS

REF. NO.	NO. REQ'D	PART NUMBER	DESCRIPTION
--	--	0909138	VALVE PLATE ASSEMBLY-DUAL WINCH
1	1	0300010	VALVE, 3 SPOOL CONTROL
2	1	0300011	VALVE, 4 SPOOL CONTROL
3	4	0300044	FITTING, CONNECTOR 6MJ-8MB
4	2	0301620	FITTING, HYDRAULIC 6MJ-6MB 90
5	4	0303017	FITTING, CONNECTOR
6	2	0307460	FITTING, HYDRAULIC 6MJ-6MB 90LL
7	4	0310289	FITTING, LONG ADAPTER 6MJ-8MBLL
--	--	0909140	SUBFRAME ASSEMBLY - 411/412 FI
8	5	0301522	FITTING, CONNECTOR 6MJ-6MB
9	1	0303384	FLOW DIVIDER 9S003238
10	2	0310311	HOSE ASSEMBLY, 72" LG
11	2	0310312	HOSE ASSEMBLY, 84" LG
12	2	0310313	HOSE ASSEMBLY, 108" LG
13	4	0310314	HOSE ASSEMBLY, 42" LG
--	--	0900947	RESTRICTOR ASSEMBLY TILT HOSE
14	1	0301425	FITTING, CONNECTOR
15	1	0301854	RESTRICTOR VALVE
16	1	0301855	FITTING, BRANCH TEE 6MJ-6MJ-6MP
--	--	0904144	WHEEL LIFT ASSEMBLY
17	4	0301522	FITTING, CONNECTOR 6MJ-6MB
18	2	0301620	FITTING, HYDRAULIC 6MJ-6MB 90
19	1	0303681	CYLINDER HYDRAULIC LIFT, FI&F6500
20	2	0307032	CYLINDER HYDRAULIC TILT (L&R)
--	--	0904145	BOOM INNER ASSEMBLY
21	2	0301522	FITTING, CONNECTOR 6MJ-6MB
22	1	0301825	CYLINDER HYDRAULIC EXTEND

Section I - PARTS (cont'd)

DUAL 3-SPOOL VALVE

FORMULA 6500 WHEEL LIFT HYDRAULICS



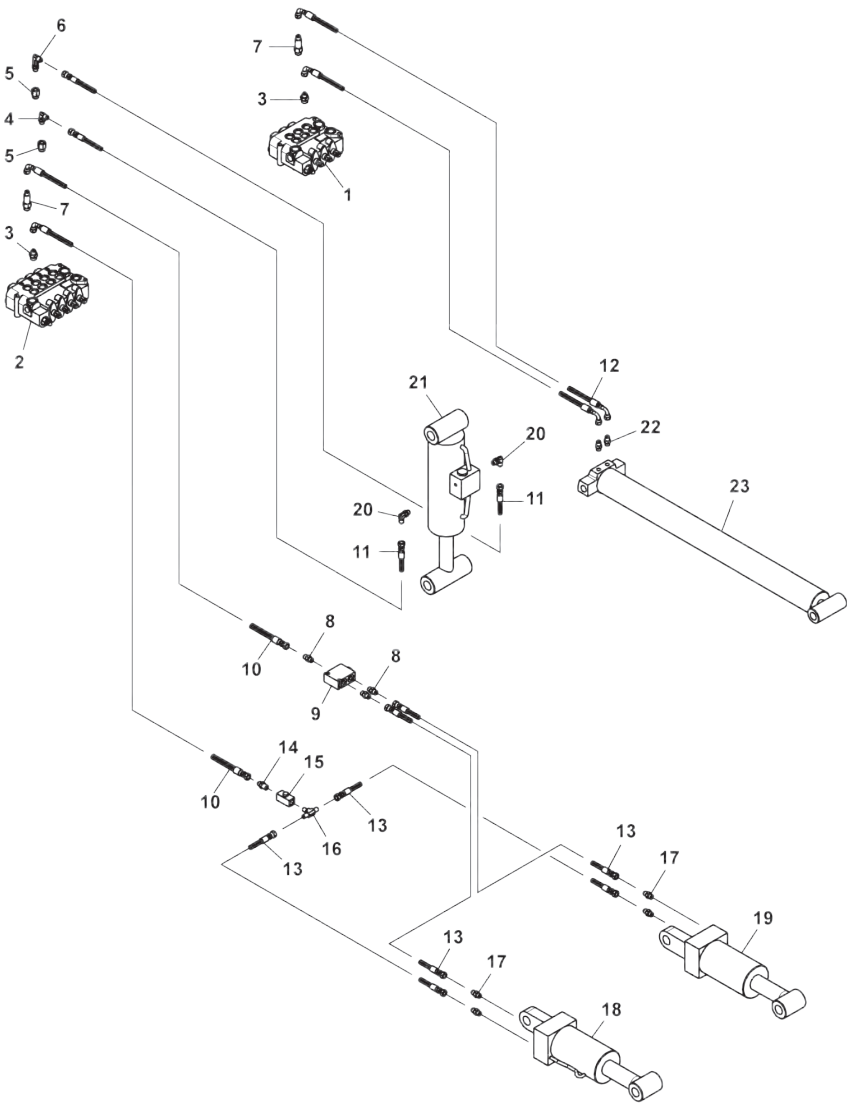
Section I - PARTS (cont'd)
DUAL 3-SPOOL VALVE
FORMULA 6500 WHEEL LIFT HYDRAULICS

REF. NO.	NO. REQ'D	PART NUMBER	DESCRIPTION
--	--	0909137	VALVE PLATE ASSEMBLY-SINGLE WINCH
1	2	0300010	VALVE, 3 SPOOL CONTROL
2	4	0300044	FITTING, CONNECTOR 6MJ-8MB
3	2	0301620	FITTING, HYDRAULIC 6MJ-6MB 90
4	4	0303017	FITTING, CONNECTOR
5	2	0307460	FITTING, HYDRAULIC 6MJ-6MB 90LL
6	4	0310289	FITTING, LONG ADAPTER 6MJ-8MBLL
--	--	--	SUBFRAME ASSEMBLY - 600 SERIES F6500
7	5	0301522	FITTING, CONNECTOR 6MJ-6MB
8	1	0303384	FLOW DIVIDER 9S003238
9	2	0310311	HOSE ASSEMBLY, 72" LG
10	2	0310312	HOSE ASSEMBLY, 84" LG
11	2	0310313	HOSE ASSEMBLY, 108" LG
12	4	0310314	HOSE ASSEMBLY, 42" LG
--	--	0903781	RESTRICTOR ASSEMBLY F6500
13	1	0301425	FITTING, CONNECTOR
14	1	0303489	RESTRICTOR VALVE (RED)
15	1	0301855	FITTING, BRANCH TEE 6MJ-6MJ-6MP
--	--	0903449	WHEEL LIFT ASSEMBLY F6500, 4TILT
16	4	0301522	FITTING, CONNECTOR 6MJ-6MB
17	1	0303256	CYLINDER HYDRAULIC TILT LEFT F6500
18	2	0303257	CYLINDER HYDRAULIC TILT RIGHT F6500
--	--	0900881	CYLINDER ASSEMBLY, LIFT, D/T
19	2	0301620	FITTING, HYDRAULIC 6MJ-6MB 90
20	1	0303681	CYLINDER HYDRAULIC EXTEND
--	--	0903149	BOOM - INNER ASSEMBLY - F6500
21	2	0301522	FITTING, CONNECTOR 6MJ-6MB
22	1	0303065	CYLINDER HYDRAULIC EXTEND F6500 W/L

Section I - PARTS (cont'd)

3 & 4 SPOOL VALVE

FORMULA 6500 WHEEL LIFT HYDRAULICS



Section I - PARTS (cont'd)

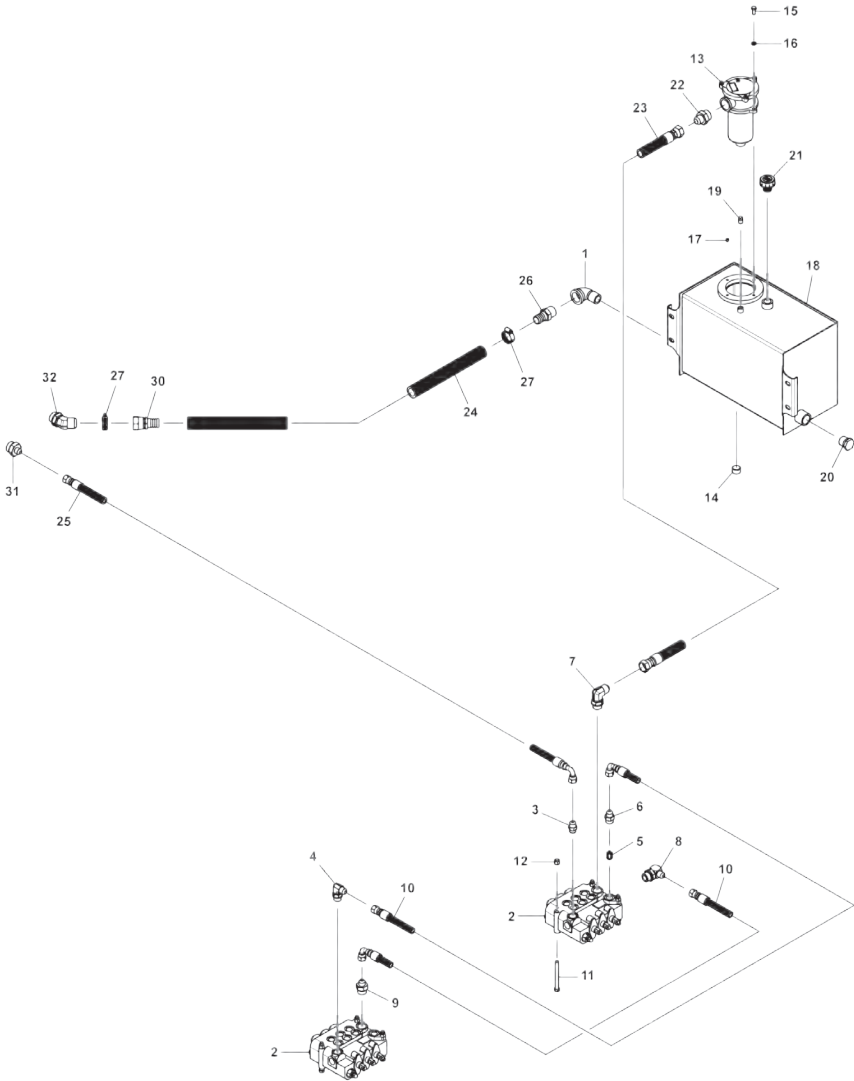
3 & 4 SPOOL VALVE

FORMULA 6500 WHEEL LIFT HYDRAULICS

REF. NO.	NO. REQ'D	PART NUMBER	DESCRIPTION
--	--	0909138	VALVE PLATE ASSEMBLY-DUAL WINCH
1	1	0300010	VALVE, 3 SPOOL CONTROL
2	1	0300011	VALVE, 4 SPOOL CONTROL
3	4	0300044	FITTING, CONNECTOR 6MJ-8MB
4	2	0301620	FITTING, HYDRAULIC 6MJ-6MB 90
5	4	0303017	FITTING, CONNECTOR
6	2	0307460	FITTING, HYDRAULIC 6MJ-6MB 90LL
7	4	0310289	FITTING, LONG ADAPTER 6MJ-8MBLL
--	--	--	SUBFRAME ASSEMBLY - 600 SERIES F6500
8	5	0301522	FITTING, CONNECTOR 6MJ-6MB
9	1	0303384	FLOW DIVIDER 9S003238
10	2	0310311	HOSE ASSEMBLY, 72" LG
11	2	0310312	HOSE ASSEMBLY, 84" LG
12	2	0310313	HOSE ASSEMBLY, 108" LG
13	4	0310314	HOSE ASSEMBLY, 42" LG
--	--	0903781	RESTRICTOR ASSEMBLY F6500
14	1	0301425	FITTING, CONNECTOR
15	1	0303489	RESTRICTOR VALVE (RED)
16	1	0301855	FITTING, BRANCH TEE 6MJ-6MJ-6MP
--	--	0903449	WHEEL LIFT ASSEMBLY F6500, 4TILT
17	4	0301522	FITTING, CONNECTOR 6MJ-6MB
18	1	0303256	CYLINDER HYDRAULIC TILT LEFT F6500
19	1	0303257	CYLINDER HYDRAULIC TILT RIGHT F6500
--	--	0900881	CYLINDER ASSEMBLY, LIFT, D/T
20	2	0301620	FITTING, HYDRAULIC 6MJ-6MB 90
21	1	0303681	CYLINDER HYDRAULIC LIFT
--	--	0903149	BOOM - INNER ASSEMBLY - F6500
22	2	0301522	FITTING, CONNECTOR 6MJ-6MB
23	1	0303065	CYLINDER HYDRAULIC EXTEND F6500 W/L

Section I - PARTS (cont'd)

SINGLE WINCH PUMP, VALVE & FILTER HYDRAULICS

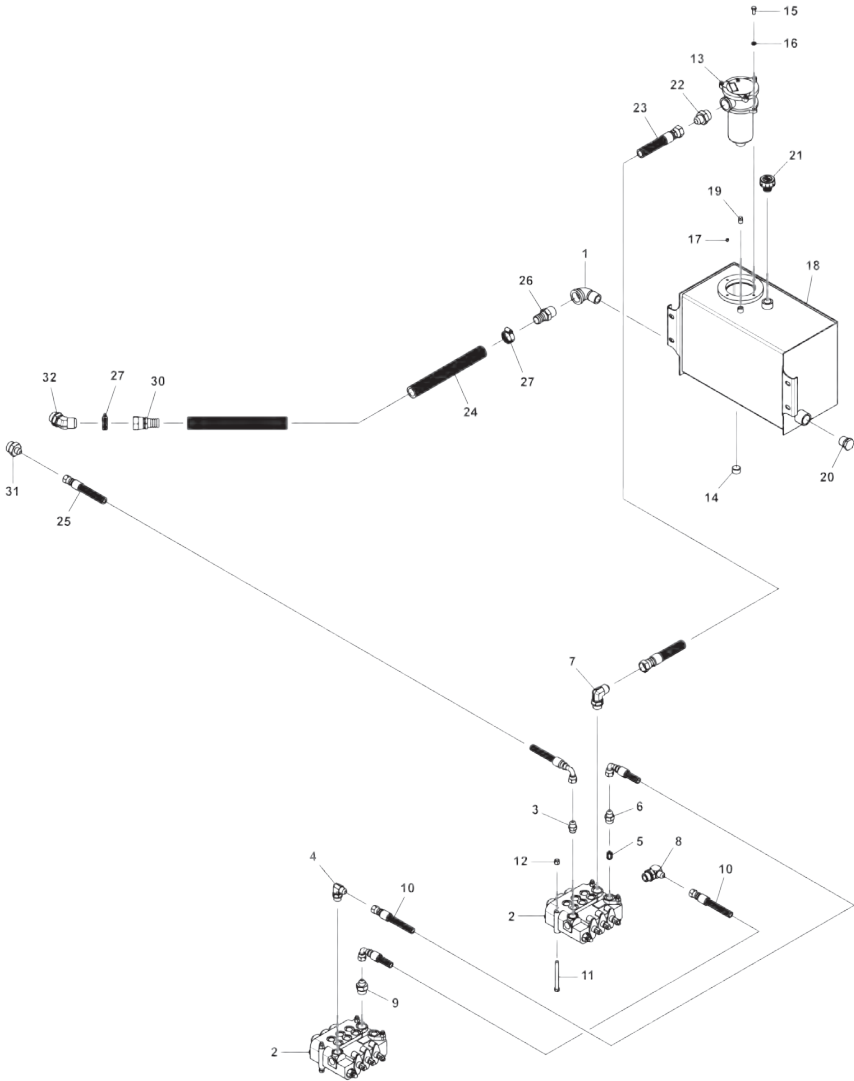


Section I - PARTS (cont'd)
SINGLE WINCH
PUMP, VALVE & FILTER HYDRAULICS

REF. NO.	NO. REQ'D	PART NUMBER	DESCRIPTION
1	1	0300692	STREET ELBOW, 1" 90°
--	--	0909137	VALVE PLATE ASSEMBLY-SINGLE WINCH
2	2	0300010	VALVE, 3 SPOOL CONTROL
3	1	0300041	FITTING, CONNECTOR 8MJ-8MB
4	1	0300052	FITTING, ELBOW 8MJ-10MB 90
5	1	0300286	FITTING, HP CARRY-OVER
6	1	0301376	CONNECTORECTOR 8 MJ - 10 MB
7	1	0301545	FITTING, ELBOW 12MJ-12MB 90
8	1	0301547	FITTING, ELBOW 8MJ-12MB 90
9	1	0301780	FITTING, CONNECTOR 8MJ-12MB
10	2	0302313	HOSE HYDRAULIC, 25"
11	6	0400140	3/8"-16 X 4" HHCS GR5 ZP
12	10	0400392	3/8"-16 NYLOK HEX NUT ZINC
--	--	0910008	HYDRAULIC TANK ASSEMBLY-CONVENTION
13	1	0310296	FILTER HEAD ASSEMBLY W' ELEMENT
14	1	0310462	PLUG - 3/4" NPT HEX - MAGNETIC
15	2	0400118	5/16"-18 X 3/4" HHCS GR5 ZP
16	2	0400464	5/16" HELICAL LCKWSHR ZP
17	2	0400748	5/16"-18 X 1/4" SET SCR ALLEN HD
18	1	0807297	HYDRAULIC TANK WELDMENT

Section I - PARTS (cont'd)

SINGLE WINCH PUMP, VALVE & FILTER HYDRAULICS

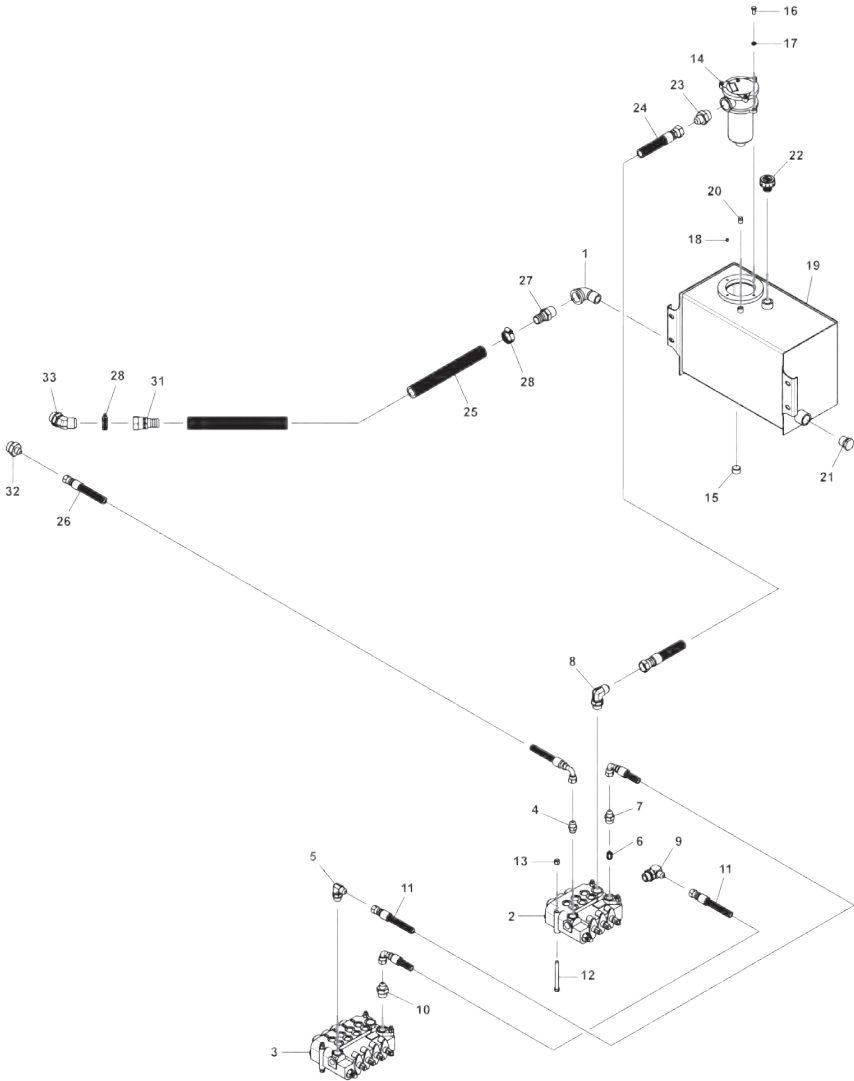


Section I - PARTS (cont'd)
SINGLE WINCH
PUMP, VALVE & FILTER HYDRAULICS

REF. NO.	NO. REQ'D	PART NUMBER	DESCRIPTION
--	--	0910008	HYDRAULIC TANK ASSEMBLY-CONVENTION
19	1	9011011	1/4" SQ HD PIPE PLUG
20	1	9012839	1" PIPE PLUG
21	1	9018131	BREATHER CAP (LUCAS) 3/4"
--	--	0909140	SUBFRAME ASSEMBLY - 411/412 FI
22	1	0301368	FITTING, CONNECTOR
23	1	0310310	HOSE ASSEMBLY - 13" LG
--	--	0909167	KIT BOX, CENTURY CONVENTIONAL
24	1	0702540	HOSE,SUCTION - 12FT (1" ID)
25	1	880010023	8AT2 HOSE (8FJX-8FJX90S) 103"
--	--	0909165	KIT-PUMP/PTO HARDWARE
26	1	0300056	FITTING, BARB 16C4-16MP
27	2	0300071	CLAMP, HOSE, 1" IDEAL
28	3	0300134	CLAMP, 1" HOSE INSULATED (NOT SHOWN)
29	3	0300188	CLAMP,1-1/2" HOSE (NOT SHOWN)
30	1	0301767	FITTING, HOSE BARB 1FJIX
31	1	0302757	FITTING, CONNECTOR 8MJ - 16MB
32	1	0302761	FITTING, HYDRAULIC ELBOW 16MJ-16MB45
33	1	0303564	PIPE, 1" NPT PLUG – MALE (NOT SHOWN)

Section I - PARTS (cont'd)

DUAL WINCH PUMP, VALVE & FILTER HYDRAULICS

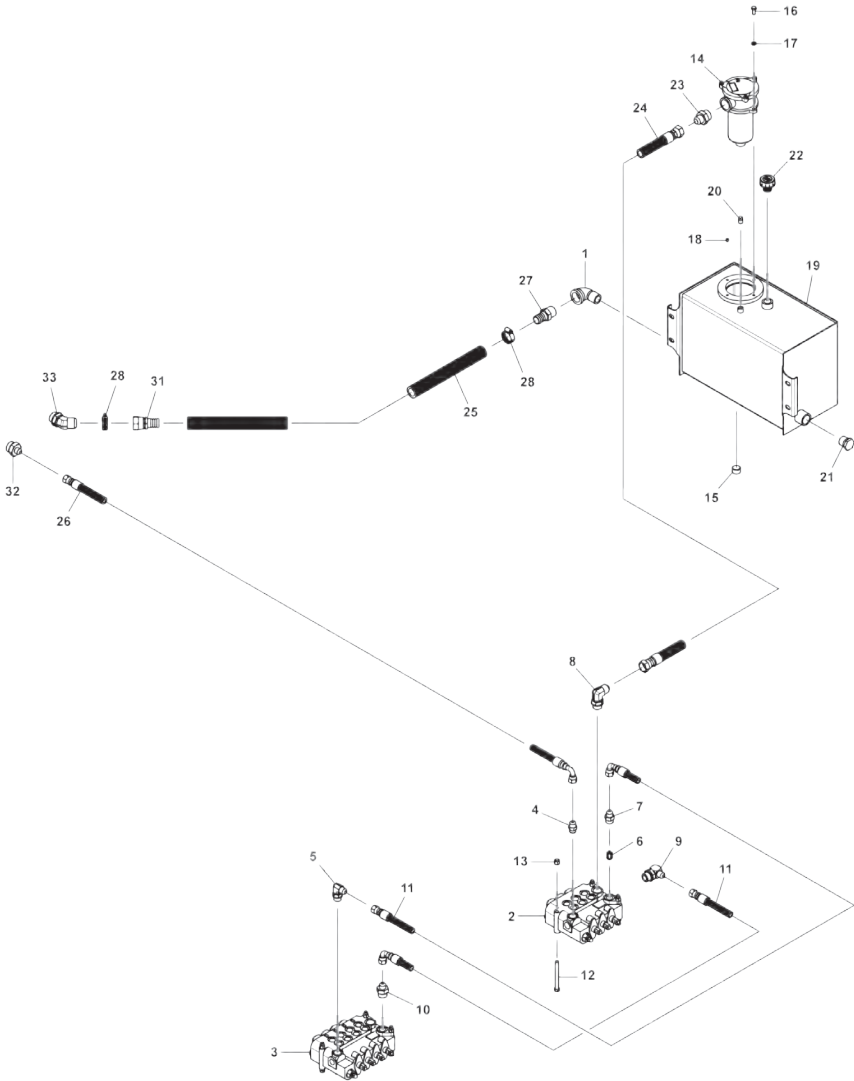


Section I - PARTS (cont'd)
DUAL WINCH
PUMP, VALVE & FILTER HYDRAULICS

REF. NO.	NO. REQ'D	PART NUMBER	DESCRIPTION
1	1	0300692	STREET ELBOW, 1" 90°
--	--	0909138	VALVE PLATE ASSEMBLY-SINGLE WINCH
2	1	0300010	VALVE, 3 SPOOL CONTROL
3	1	0300011	VALVE, 4 SPOOL CONTROL
4	1	0300041	FITTING, CONNECTOR 8MJ-8MB
5	1	0300052	FITTING, ELBOW 8MJ-10MB 90
6	1	0300286	FITTING, HP CARRY-OVER
7	1	0301376	CONNECTOR 8 MJ - 10 MB
8	1	0301545	FITTING, ELBOW 12MJ-12MB 90
9	1	0301547	FITTING, ELBOW 8MJ-12MB 90
10	1	0301780	FITTING, CONNECTOR 8MJ-12MB
11	2	0302313	HOSE HYDRAULIC, 25"
12	6	0400140	3/8"-16 X 4" HHCS GR5 ZP
13	10	0400392	3/8"-16 NYLOK HEX NUT ZINC
--	--	0910008	HYDRAULIC TANK ASSEMBLY-CONVENTION
14	1	0310296	FILTER HEAD ASSEMBLY W' ELEMENT
15	1	0310462	PLUG - 3/4" NPT HEX - MAGNETIC
16	2	0400118	5/16"-18 X 3/4" HHCS GR5 ZP
17	2	0400464	5/16" HELICAL LCKWSHR ZP
18	2	0400748	5/16"-18 X 1/4" SET SCR ALLEN HD
19	1	0807297	HYDRAULIC TANK WELDMENT

Section I - PARTS (cont'd)

DUAL WINCH PUMP, VALVE & FILTER HYDRAULICS

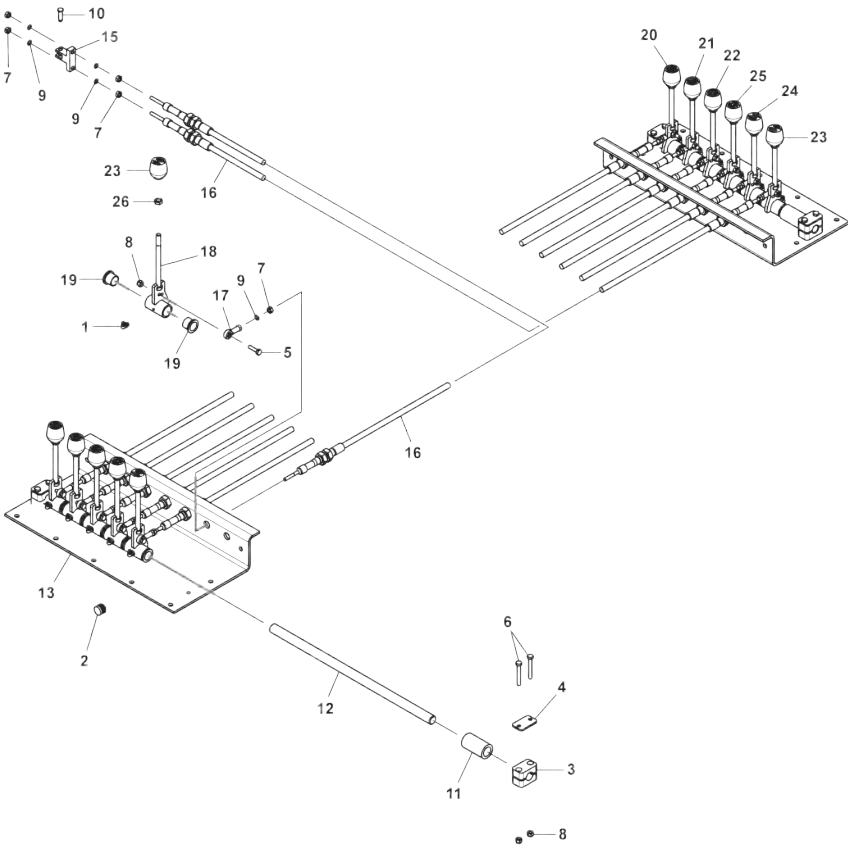


Section I - PARTS (cont'd)
DUAL WINCH
PUMP, VALVE & FILTER HYDRAULICS

REF. NO.	NO. REQ'D	PART NUMBER	DESCRIPTION
--	--	0910008	HYDRAULIC TANK ASSEMBLY-CONVENTION
20	1	9011011	1/4" SQ HD PIPE PLUG
21	1	9012839	1" PIPE PLUG
22	1	9018131	BREATHER CAP (LUCAS) 3/4"
--	--	0909141	SUBFRAME ASSEMBLY - 411/412 FI
23	1	0301368	FITTING, CONNECTOR
24	1	0310310	HOSE ASSEMBLY - 13" LG
--	--	0909167	KIT BOX, CENTURY CONVENTIONAL
25	1	0702540	HOSE,SUCTION - 12FT (1" ID)
26	1	880010023	8AT2 HOSE (8FJX-8FJX90S) 103"
--	--	0909165	KIT-PUMP/PTO HARDWARE
27	1	0300056	FITTING, BARB 16C4-16MP
28	2	0300071	CLAMP, HOSE, 1" IDEAL
29	3	0300134	CLAMP, 1" HOSE INSULATED (NOT SHOWN)
30	3	0300188	CLAMP,1-1/2" HOSE (NOT SHOWN)
31	1	0301767	FITTING, HOSE BARB 1FJIX
32	1	0302757	FITTING, CONNECTOR 8MJ - 16MB
33	1	0302761	FITTING, HYDRAULIC ELBOW 16MJ-16MB45
34	1	0303564	PIPE, 1" NPT PLUG – MALE (NOT SHOWN)

Section I - PARTS (cont'd)

SINGLE WINCH CONTROLS



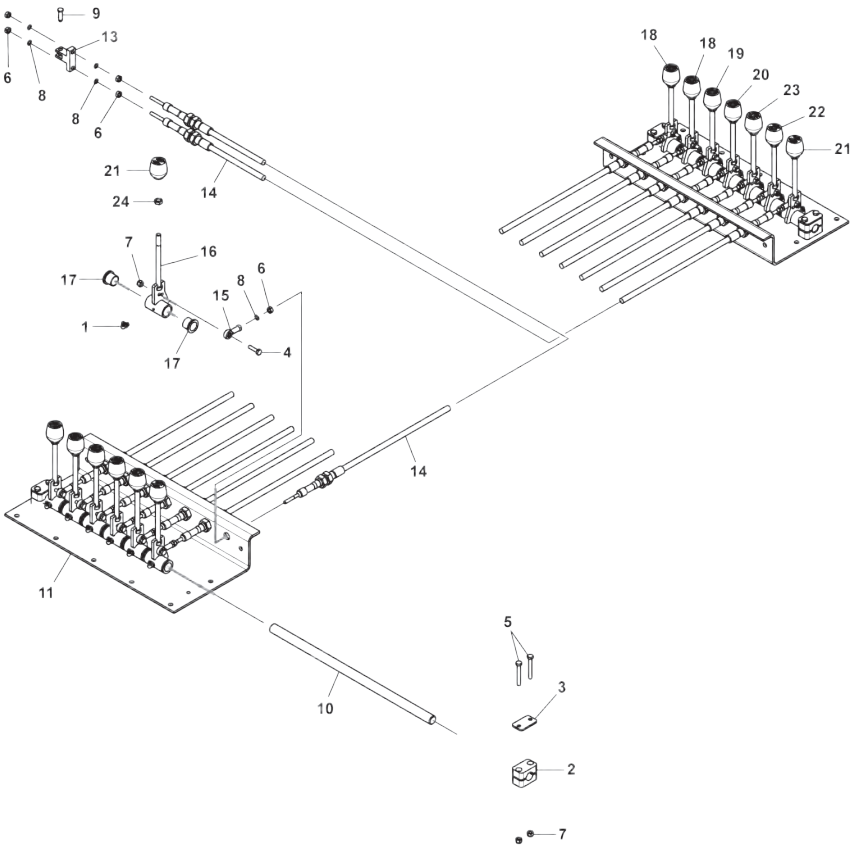
Section I - PARTS (cont'd)

SINGLE WINCH CONTROLS

REF. NO.	NO. REQ'D	PART NUMBER	DESCRIPTION
--	--	0910210	6-HANDLE DUAL CONTROL CONV
1	12	0301397	GREASE FITTING, 1/4"-28 X 90 DEG
2	2	0307772	PLUG - 3/4" ALLIANCE RDR-111036
3	4	0307823	CLAMP CUSHION
4	4	0307824	PLATE - COVER
5	12	0400070	1/4"-20 X 1" HHCS GR5 ZP
6	8	0400078	1/4"-20 X 2" HHCS GR5 ZP
7	36	0400365	1/4"-28 HEX NUT ZINC PL
8	20	0400367	1/4"-20 NYLOK HEX NUT ZP
9	36	0400458	1/4" STAR LOCKWASHER ZINC PL.
10	6	0400527	CLEVIS PIN, 5/16" x 1" x 5/8" GRIP
11	2	0718535	SPACER
12	2	0721658	PIN-CONTROL HANDLE PIVOT
13	2	0722377	PLATE, CONTROL HANDLE MTG-BOOT
14	12	0908406	HANDLE ASSEMBLY
15	6	3014-791012	CLEVIS - DUAL CTRL CABLE
16	12	518-0108400	CONTROL CABLE 7' LENGTH/1" STROKE
17	12	HD0900	BEARING-ROD END 1/4"-28
--	--	0908406	HANDLE ASSEMBLY
18	1	0806852	CONTROL HANDLE WELDMENT
19	2	9053524	BEARING BR. FLG.752 X .879x.75
--	--	0901426	KIT-CONTROL KNOB-SINGLE
20	2	0300834	KNOB- RED CONTROL (IN-OUT)
21	2	0300835	KNOB-BOOM (UP-DOWN)
22	2	0300837	KNOB-BOOM (IN-OUT)
23	2	0302856	KNOB-TILT, 3/8"-16 THREAD
24	2	0302917	KNOB-WHL LIFT EXT IN-OUT
25	2	0302967	W/L LIFT KNOB
26	12	0400393	3/8"-16 HEX NUT JAM ZP

Section I - PARTS (cont'd)

DUAL WINCH CONTROLS



Section I - PARTS (cont'd)

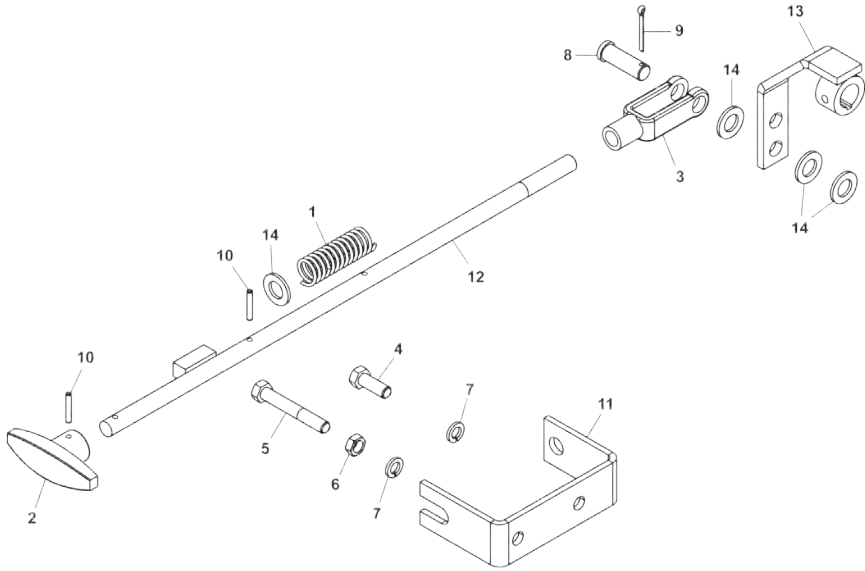
DUAL WINCH CONTROLS

REF. NO.	NO. REQ'D	PART NUMBER	DESCRIPTION
--	--	0910211	6-HANDLE DUAL CONTROL CONV
1	14	0301397	GREASE FITTING, 1/4"-28 X 90 DEG
2	4	0307823	CLAMP CUSHION
3	4	0307824	PLATE - COVER
4	14	0400070	1/4"-20 X 1" HHCS GR5 ZP
5	8	0400078	1/4"-20 X 2" HHCS GR5 ZP
6	42	0400365	1/4"-28 HEX NUT ZINC PL
7	22	0400367	1/4"-20 NYLOK HEX NUT ZP
8	42	0400458	1/4" STAR LOCKWASHER ZINC PL.
9	7	0400527	CLEVIS PIN, 5/16" x 1" x 5/8"GRIP
10	2	0721658	PIN-CONTROL HANDLE PIVOT
11	2	0722377	PLATE, CONTROL HANDLE MTG-BOOT
12	14	0908406	HANDLE ASSEMBLY
13	7	3014-791012	CLEVIS - DUAL CTRL CABLE
14	14	518-0108400	CONTROL CABLE 7' LGTH/1"STROKE
15	14	HD0900	BEARING-ROD END 1/4"-28
--	--	0908406	HANDLE ASSEMBLY
16	1	0806852	CONTROL HANDLE WELDMENT
17	2	9053524	BEARING BR. FLG.752 X .879x.75
--	--	0901425	KIT-CONTROL KNOB-SINGLE
18	--	0300834	KNOB- RED CONTROL (IN-OUT)
19	--	0300835	KNOB-BOOM (UP-DOWN)
20	--	0300837	KNOB-BOOM (IN-OUT)
21	--	0302856	KNOB-TILT, 3/8"-16 THREAD
22	--	0302917	KNOB-WHEEL LIFT EXT IN-OUT
23	--	0302967	W/L LIFT KNOB
24	14	0400393	3/8"-16 HEX NUT JAM ZP

Section I - PARTS (cont'd)

411, 412, 601, 602 & 611

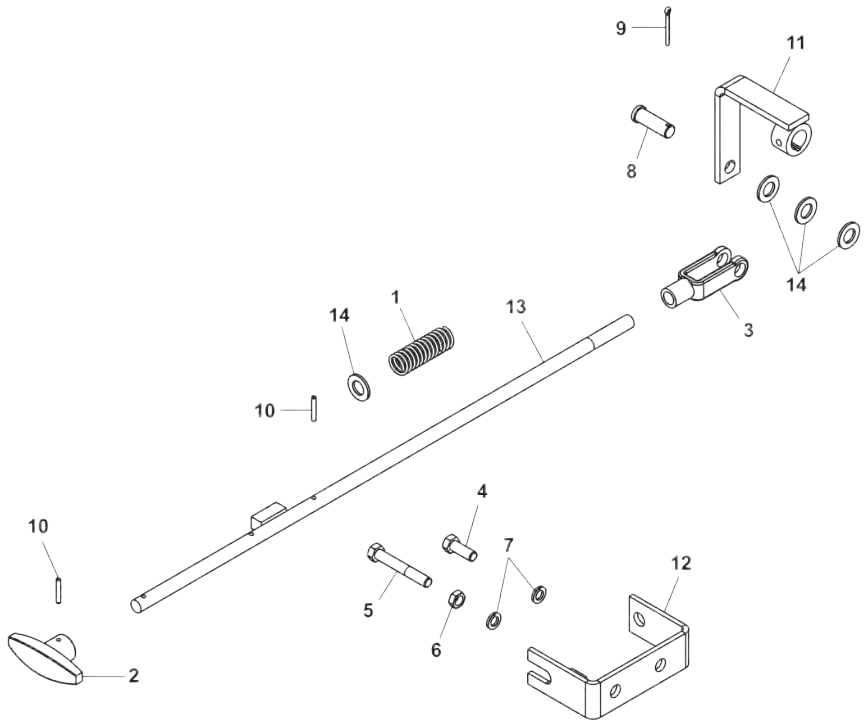
WINCH FREESPOOL ASSEMBLY



REF. NO.	NO. REQ'D	PART NUMBER	DESCRIPTION
--	--	0908627	WINCH FREESPOOL ASSEMBLY - MODULAR
1	1	0300845	SPRING CLUTCH T5-68-79-1
2	1	0301532	T HANDLE
3	1	0301588	ADJUSTABLE YOKE
4	1	0400126	3/8"-16 X 1" HHCS GR5 ZP
5	1	0400150	3/8"-16 X 2 1/2" HHCS GR5 ZP
6	1	0400393	3/8"-16 HEX NUT JAM ZP
7	2	0400482	3/8" HELICAL LOCKWASHER ZP
8	1	0400537	1/2" X 1 1/2" CLEVIS PIN ZP
9	1	0400546	1/8" X 1 1/4" COTTER PIN
10	2	0400560	5/32" X 1" ROLL PIN ZP
11	1	0702408	CHANNEL, MOUNTING
12	1	0800781	ROD CONTROL DUAL
13	1	0806995	BELL CRANK WELDMENT
14	4	DE1381	1/2" WASHER SAE 17/32" ID

Section I - PARTS (cont'd)

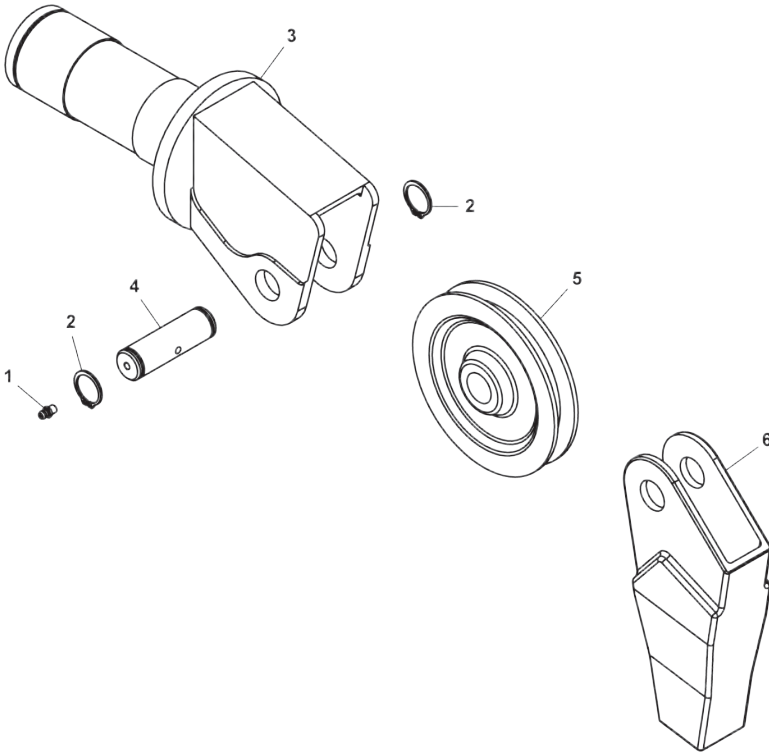
612 WINCH FREESPOOL ASSEMBLY



REF. NO.	NO. REQ'D	PART NUMBER	DESCRIPTION
--	--	0906031	WINCH FREESPOOL (DUAL) 894
1	2	0300845	SPRING-CLUTCH T5-68-79-1
2	2	0301532	T HANDLE
3	2	0301588	ADJUSTABLE YOKE
4	2	0400126	3/8"-16 X 1" HHCS GR5 ZP
5	2	0400150	3/8"-16 X 2 1/2" HHCS GR5 ZP
6	2	0400393	3/8"-16 HEX NUT JAM ZP
7	4	0400482	3/8" HELICAL LOCKWASHER ZP
8	2	0400537	1/2" X 1 1/2" CLEVIS PIN ZP
9	2	0400546	1/8 X 1 1/4" COTTER PIN
10	4	0400560	5/32" X 1" ROLL PIN ZP
11	2	0801670	BELL CRANK WINCH CONTROL
12	2	0801671	CHANNEL MOUNTING WINCH
13	2	0801672	ROD WINCH CONTROL
14	8	DE1381	1/2" WASHER SAE 17/32" ID

Section I - PARTS (cont'd)

BOOM SWIVEL ASSEMBLY



REF. NO.	NO. REQ'D	PART NUMBER	DESCRIPTION
--	--	805180000	SHEAVE HOUSING ASSEMBLY
1	1	0300113	GREASE FITTING, 1/4"-28 STRAIGHT
2	2	9056098	RET RING, EXT 1" NOM HVY DUTY
3	1	804181500	SHEAVE HOUSING CASTING
4	1	805180001	SHEAVE SHAFT
5	1	805180002	SHEAVE CASTING (WAS 9050504)
6	1	852060100	CABLE GUIDE - CASTING

Section I - PARTS (cont'd)

400/600 SERIES SHIP KITS

REF. NO.	NO. REQ'D	PART NUMBER	DESCRIPTION
	1	0909143	SHIP KIT - 411
	2	0302173	MUD FLAP
	1	0303051	WIRE ROPE 3/8x6x19 IPS 100'-5"
	12	0310148	BOOT, CONTROL HANDLE
	8	0400601	1/4X1LG RD HD PHILLIP
	3	0500241	DECAL-SAFETY CHAIN WARN
	2	0500562	DECAL-CHAIN ATTACHMENT
	3	0500686	DECAL - RETRACT CAUTION
	2	0500734	DECAL-WARNING-STEERING
	3	0500740	DECAL-RATING-4000 L-ARM
	1	0501155	DECAL - DANGER FOR W/L ASSY'S
	2	0501167	PLATE, CENTURY, NAME, PLASTIC
	1	0501267	PHOTO SHIP KIT-124001734
	2	0501653	DECAL, CONTROL HANDLE GREASE
	2	0722063	PLATE - CONTROL COVER 6-HANDLE
	1	0901426	KIT-CONTROL KNOB-SINGLE
	2	0902382	1" NYLON POLY-COAT STRAP
	1	0903428	KIT-SCREW REPLACEMENT
	1	0904156	RESTRAIN-TIRE &DECAL LH
	1	0904157	RESTRAIN-TIRE &DECAL RH
	1	0909167	KIT BOX, CENTURY CONVENTIONAL
	1	124001567	CABLE TENSIONER, RAMSEY WINCH
	1	SS486	DECAL-OIL
	1	0909145	SHIP KIT - 412
	2	0302173	MUD FLAP
	2	0303051	WIRE ROPE 3/8x6x19 IPS 100'-5"
	14	0310148	BOOT, CONTROL HANDLE
	8	0400601	1/4X1LG RD HD PHILLIP
	3	0500241	DECAL-SAFETY CHAIN WARN
	2	0500562	DECAL-CHAIN ATTACHMENT
	3	0500686	DECAL - RETRACT CAUTION
	2	0500734	DECAL-WARNING-STEERING
	3	0500740	DECAL-RATING-4000 L-ARM
	1	0501155	DECAL - DANGER FOR W/L ASSY'S
	2	0501167	PLATE, CENTURY, NAME, PLASTIC
	1	0501267	PHOTO SHIP KIT-124001734
	2	0501653	DECAL, CONTROL HANDLE GREASE
	2	0722064	PLATE - CONTROL COVER 7-HANDLE
	1	0901425	KIT-CONTROL KNOB (DUAL)
	2	0902382	1" NYLON POLY-COAT STRAP
	1	0903428	KIT-SCREW REPLACEMENT

Section I - PARTS (cont'd)

400/600 SERIES SHIP KITS (cont'd)

REF. NO.	NO. REQ'D	PART NUMBER	DESCRIPTION
	1	0909145	SHIP KIT - 412 (cont'd)
	1	0904156	RESTRAIN-TIRE &DECAL LH
	1	0904157	RESTRAIN-TIRE &DECAL RH
	1	0909167	KIT BOX, CENTURY CONVENTIONAL
	2	124001567	CABLE TENSIONER, RAMSEY WINCH
	1	SS486	DECAL-OIL
	1	0909148	SHIP KIT - 601 F6500
	2	0302173	MUD FLAP
	1	0303051	WIRE ROPE 3/8x6x19 IPS 100'-5"
	12	0310148	BOOT, CONTROL HANDLE
	8	0400601	1/4X1LG RD HD PHILLIP
	3	0500241	DECAL-SAFETY CHAIN WARN
	2	0500562	DECAL-CHAIN ATTACHMENT
	1	0500686	DECAL - RETRACT CAUTION
	2	0500734	DECAL-WARNING-STEERING
	3	0500740	DECAL-RATING-4000 L-ARM
	1	0501155	DECAL - DANGER FOR W/L ASSY'S
	2	0501167	PLATE, CENTURY, NAME, PLASTIC
	1	0501267	PHOTO SHIP KIT-124001734
	2	0501653	DECAL, CONTROL HANDLE GREASE
	2	0722063	PLATE - CONTROL COVER 6-HANDLE
	1	0901390	KIT-FORK FI 6000
	1	0901426	KIT-CONTROL KNOB-SINGLE
	2	0902382	1" NYLON POLY-COAT STRAP
	1	0903428	KIT-SCREW REPLACEMENT
	1	0904156	RESTRAIN-TIRE &DECAL LH
	1	0904157	RESTRAIN-TIRE &DECAL RH
	1	0909167	KIT BOX, CENTURY CONVENTIONAL
	1	124001567	CABLE TENSIONER, RAMSEY WINCH
	1	SS486	DECAL-OIL
	1	0909150	SHIP KIT - 602
	2	0302173	MUD FLAP
	2	0303051	WIRE ROPE 3/8x6x19 IPS 100'-5"
	1	0307550	PUMP, BI-ROTATIONAL (BULK PKG)
	14	0310148	BOOT, CONTROL HANDLE
	8	0400601	1/4X1LG RD HD PHILLIP
	3	0500241	DECAL-SAFETY CHAIN WARN
	2	0500562	DECAL-CHAIN ATTACHMENT
	3	0500686	DECAL - RETRACT CAUTION
	2	0500734	DECAL-WARNING-STEERING

Section I - PARTS (cont'd)

400/600 SERIES SHIP KITS (cont'd)

REF. NO.	NO. REQ'D	PART NUMBER	DESCRIPTION
	1	0909150	SHIP KIT - 602 (cont'd)
	3	0500740	DECAL-RATING-4000 L-ARM
	1	0501155	DECAL - DANGER FOR W/L ASSY'S
	2	0501167	PLATE, CENTURY, NAME, PLASTIC
	1	0501267	PHOTO SHIP KIT-124001734
	2	0501653	DECAL, CONTROL HANDLE GREASE
	2	0722064	PLATE - CONTROL COVER 7-HANDLE
	1	0901390	KIT-FORK FI 6000
	1	0901425	KIT-CONTROL KNOB (DUAL)
	2	0902382	1" NYLON POLY-COAT STRAP
	1	0903428	KIT-SCREW REPLACEMENT
	1	0904156	RESTRAIN-TIRE &DECAL LH
	1	0904157	RESTRAIN-TIRE &DECAL RH
	1	0909167	KIT BOX, CENTURY CONVENTIONAL
	2	124001567	CABLE TENSIONER, RAMSEY WINCH
	1	SS486	DECAL-OIL
	1	0909153	SHIP KIT - 611
	2	0302173	MUD FLAP
	1	0302723	7/16"x150' CABLE/174007024 ALT
	1	0307550	PUMP, BI-ROTATIONAL (BULK PKG)
	12	0310148	BOOT, CONTROL HANDLE
	8	0400601	1/4X1LG RD HD PHILLIP
	3	0500241	DECAL-SAFETY CHAIN WARN
	2	0500562	DECAL-CHAIN ATTACHMENT
	1	0500686	DECAL - RETRACT CAUTION
	2	0500734	DECAL-WARNING-STEERING
	3	0500740	DECAL-RATING-4000 L-ARM
	1	0501155	DECAL - DANGER FOR W/L ASSY'S
	2	0501167	PLATE, CENTURY, NAME, PLASTIC
	1	0501267	PHOTO SHIP KIT-124001734
	2	0501653	DECAL, CONTROL HANDLE GREASE
	2	0722063	PLATE - CONTROL COVER 6-HANDLE
	1	0901390	KIT-FORK FI 6000
	1	0901426	KIT-CONTROL KNOB-SINGLE
	2	0902382	1" NYLON POLY-COAT STRAP
	1	0903428	KIT-SCREW REPLACEMENT
	1	0904156	RESTRAIN-TIRE &DECAL LH
	1	0904157	RESTRAIN-TIRE &DECAL RH
	1	0909167	KIT BOX, CENTURY CONVENTIONAL
	1	124001567	CABLE TENSIONER, RAMSEY WINCH
	1	SS486	DECAL-OIL

Section I - PARTS (cont'd)

400/600 SERIES SHIP KITS (cont'd)

REF. NO.	NO. REQ'D	PART NUMBER	DESCRIPTION
	1	0909155	SHIP KIT - 612
	2	0302173	MUD FLAP
	2	0302723	7/16"x150' CABLE/174007024 ALT
	1	0307550	PUMP, BI-ROTATIONAL (BULK PKG)
	14	0310148	BOOT, CONTROL HANDLE
	8	0400601	1/4X1LG RD HD PHILLIP
	3	0500241	DECAL-SAFETY CHAIN WARN
	2	0500562	DECAL-CHAIN ATTACHMENT
	1	0500686	DECAL - RETRACT CAUTION
	2	0500734	DECAL-WARNING-STEERING
	3	0500740	DECAL-RATING-4000 L-ARM
	1	0501155	DECAL - DANGER FOR W/L ASSY'S
	2	0501167	PLATE, CENTURY, NAME, PLASTIC
	1	0501267	PHOTO SHIP KIT-124001734
	2	0501653	DECAL, CONTROL HANDLE GREASE
	2	0722064	PLATE - CONTROL COVER 7-HANDLE
	1	0901390	KIT-FORK FI 6000
	1	0901425	KIT-CONTROL KNOB (DUAL)
	2	0902382	1" NYLON POLY-COAT STRAP
	1	0903428	KIT-SCREW REPLACEMENT
	1	0904156	RESTRAIN-TIRE &DECAL LH
	1	0904157	RESTRAIN-TIRE &DECAL RH
	1	0909167	KIT BOX, CENTURY CONVENTIONAL
	2	124002074	CABLE TENSIONER (RAMSEY H400)
	1	SS486	DECAL-OIL

CENTURY®

Miller Industries Towing Equipment Inc.

8503 Hilltop Drive • Ooltewah, Tennessee 37363 • (423) 238-4171

www.millerind.com