

CENTURY®

LEGENDARY LEADERSHIP

OWNER'S MANUAL 1040B / SDU

INSTALLATION, OPERATION, MAINTENANCE & PARTS

**NOTE: MANUAL including SPECIFICATIONS, subject to change without notice
All ratings specified are based on structural factors only,
not vehicle capacities or capabilities.**

CENTURY®

A Division of Miller Industries Towing Equipment Inc.
P.O. Box 120 • 8503 Hilltop Drive
Ooltewah, Tennessee 37363

Phone (615)238-4171 • FAX (615)238-5371

FORM NO. 0500960
10 / 97
PRICE \$15.00

LIMITED WARRANTY

MILLER INDUSTRIES TOWING EQUIPMENT INC., hereinafter referred to as MILLER, warrants to the original purchaser that each new MILLER wrecker or other MILLER products will be free from defects in material and workmanship for a period of twelve (12) months from date placed in service, but in no event shall such warranty period exceed twenty-four (24) months from date of manufacture by MILLER. The purchaser must promptly notify MILLER in writing of any failure in material or workmanship. In no event shall MILLER accept such notification later than twenty-four (24) months from date of delivery or twelve (12) months from date placed in service, whichever is earlier.

MILLER's obligation under this warranty, statutory or otherwise, is limited to the repair or replacement at the MILLER factory, or at a point designated by MILLER, of such part or parts as shall appear upon inspection by MILLER to be defective in material or workmanship. New or remanufactured parts will be used for any replacement at MILLER's option. This warranty is not transferable. This warranty does not obligate MILLER to bear the cost of labor or transportation charges in connection with the repair or replacement of any parts found to be defective, nor shall it apply to a product upon which repairs or alterations have been made unless authorized by MILLER.

EXCEPT AS EXPRESSLY SET FORTH IN THIS WARRANTY, MILLER MAKES NO OTHER WARRANTY, EXPRESS OR IMPLIED, AND HEREBY DISCLAIMS ALL OTHER WARRANTIES INCLUDING, BUT NOT LIMITED TO, THE IMPLIED WARRANTIES OF MERCHANTABILITY AND FITNESS FOR A PARTICULAR PURPOSE. MILLER shall in no event be liable for claimed downtime, claimed loss of profits or goodwill, or any other special, incidental, indirect, or consequential damages concerning or relating to any product or parts, whether based on negligence, strict liability, breach of contract, breach of warranty, misrepresentation or any other legal theory, regardless of whether the loss resulted from any general or particular requirement which MILLER knew or had reason to know about at the time of sale.

MILLER MAKES NO WARRANTY, EXPRESS OR IMPLIED, AS TO THE FINISHED PRODUCTS MANUFACTURED OR SUPPLIED BY ANOTHER MANUFACTURER AND SUPPLIED BY MILLER TO PURCHASER, including, but not limited to, any vehicle to which a MILLER product may be affixed or any accessories or wire rope, and MILLER EXPRESSLY DISCLAIMS ANY IMPLIED WARRANTIES OF MERCHANTABILITY OR FITNESS FOR A PARTICULAR PURPOSE AS TO SUCH EQUIPMENT OR PRODUCTS. This language shall in no way affect or diminish the rights of the purchaser to rely on such warranties as are extended by such manufacturers or suppliers. MILLER shall, to the extent permitted under applicable law, pass on to the purchaser such manufacturer's or seller's warranty.

MILLER, whose policy is one of continuous improvement, reserves the right to improve its products through changes in design or materials as it may deem desirable without being obligated to incorporate such changes in products previously sold. This warranty is not intended to cover or include the following items, which are set forth by way of example and not limitation:

- A. Normal deterioration of trim, paint, lettering, and appearance items due to wear or exposure to weather, road conditions, road treatments, etc.
- B. Any damage or defect due to accident, misuse, abuse, improper or unauthorized repairs, failure to provide reasonable and necessary maintenance, or uses for which the equipment was not designed or intended.
- C. Alterations or modifications that affect performance, operation or reliability.
- D. Normal maintenance parts including, but not limited to, wear pads, bushings, wire rope, mud flaps, fenderettes, light bulbs, hydraulic oil, filters, and tow sling belts.

IT IS EXPRESSLY UNDERSTOOD THAT MILLER MAKES NO IMPLIED WARRANTY THAT MILLER PRODUCTS SHALL BE FIT FOR THE PURPOSE OF LIFTING OR MOVING PEOPLE OR FOR ANY OTHER IMPROPER USE.



Miller Industries Towing Equipment Inc.
8503 Hilltop Drive
Ooltewah, Tennessee 37363

Telephone (423) 238-4171

SERIAL NUMBER

Section VI - PARTS

This Section is provided by the manufacturer for the purpose of ordering any component part of the **1040B Wrecker** and **SDU Underlift** that may be required when part replacement is necessary. Be certain to use only original equipment replacement parts for warranty purposes as well as for keeping your **1040B Wrecker** and **SDU Underlift** in its original state and optimum operating capacities.

When ordering replacement or spare parts be sure to provide the following information to the manufacturer's **Parts Department**.

1. **Manual Number & Date of Publication**
2. **Manual Page Number**
3. **Page Title**
4. **Reference Number of Part Desired**
5. **Part Number**
6. **Part Description**
7. **Quantity of Part Desired**

Providing this information will help ensure that the correct parts will be delivered to you in an expedient manner without delay. Should additional information be required for repair or replacement of certain components, contact your Wrecker Manufacturer Authorized Representative.

The Manufacturer reserves the right, without notice or obligation, to improve or modify their products, which may change the specifications, models and feature availability.

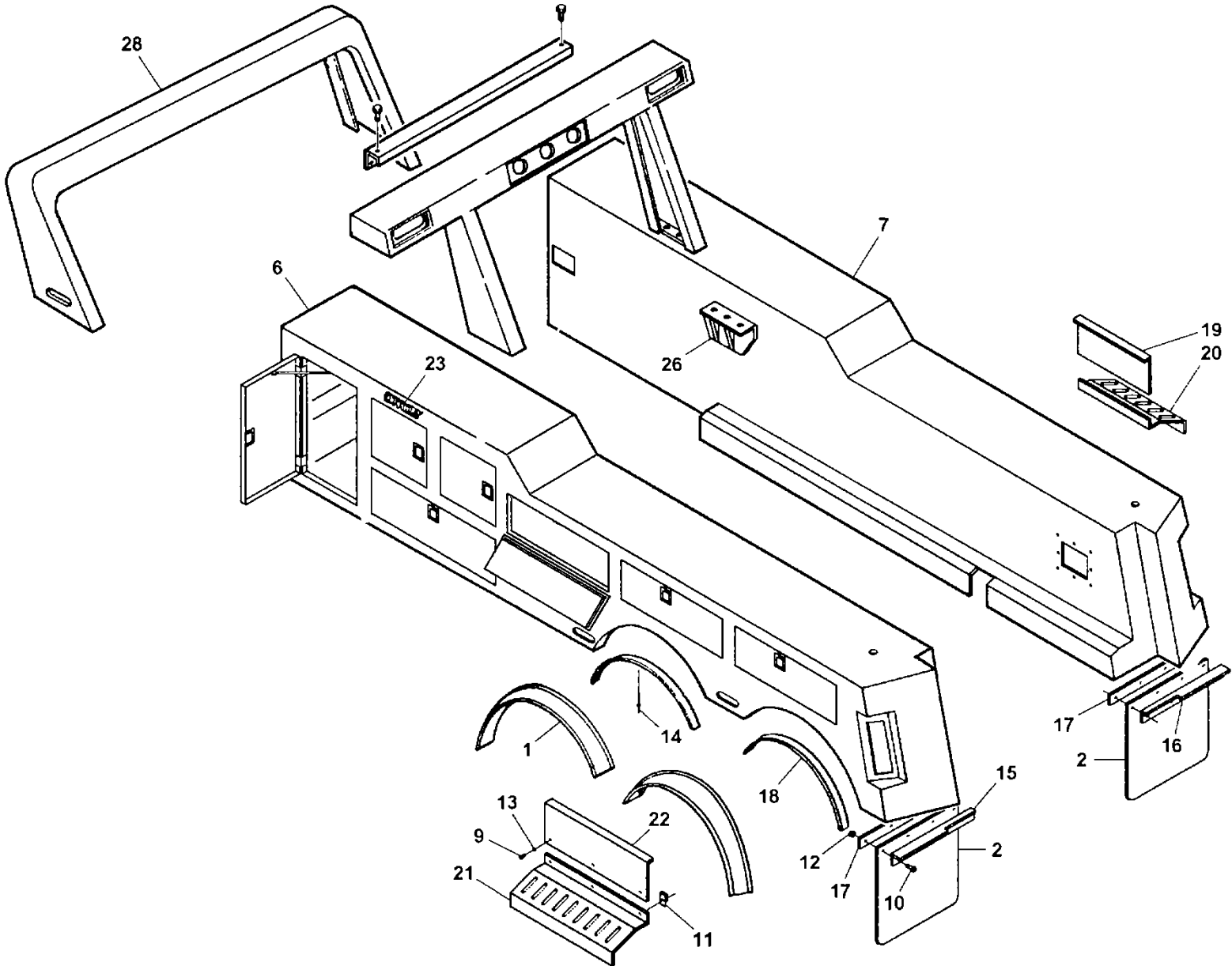
Section VI - PARTS (cont'd)
SUBFRAME ASSEMBLY

Section VI - PARTS (cont'd)

SUBFRAME ASSEMBLY

REF. NO.	NO. REQ'D	PART NUMBER	DESCRIPTION
1	2	0300113	GREASE FITTING
2	2	0301208	HOLE PLUG, 7/8"
3	10 FT.	0301851	TRIM LOCK, 1/8"
4	8	0302540	CENTER BONDED MOUNT
5	12	0302541	SPECIAL WASHER
6	2	0303688	SPADE CYLINDER
7	34	0400066	SCREW, 1/4"-20 X 3/4" HEX HD CAP
8	6	0400130	SCREW, 3/8"-16 X 3-1/2" HEX HD CAP
9	4	0400139	SCREW, 3/8"-16 X 1-1/2" HEX SKT SET
10	4	0400276	SCREW, 5/8"-11 X 4-1/2" HEX HD CAP
11	4	0400281	SCREW, 3/4"-10 X 3-1/2" HEX HD CAP
12	4	0400294	SCREW, 3/4"-10 X 6-1/2" HEX HD CAP
13	10	0400392	NUT, 3/8"-16 HEX NYLOK
14	4	0400430	NUT, 3/4"-10 HEX NYLOK
15	34	0400452	LOCKWASHER, 1/4" HELICAL
16	8	0400506	WASHER, 5/8" FLAT
17	4	0400508	LOCKWASHER, 5/8" HELICAL
18	8	0400510	WASHER, 3/4" FLAT
19	2	0700884	SHAFT, LOWER JACK
20	2	0703441	ROLLER, FAIRLEAD
21	2	0703442	SKID, FAIRLEAD
22	2	0707117	SHAFT, UPPER SPADE
23	2	0707194	FLOOR PLATE, ACCESS COVER
24	2	0707199	PIN, SPADE PAD
--	4	0301551	CABLE SLEEVE, 1/16" DIA
--	4	0301553	1/16" CABLE ASSEMBLY, 17"
--	2	0302474	LYNCH PIN
--	4	0400044	DRIVE SCREW, # 10 X 1/2" RD HD
--	2	0400563	ROLL PIN, 3/16" X 1-3/4"
--	2	0702604	PROTECTIVE HOSE TUBE, 14"
25	2	0710502	MOUNTING PLATE
26	1	0711820	LIFT CYLINDER COVER
27	1	0801035	BRACKET, FAIRLEAD
28	1	0801061	COVER, SPADE TUBE
29	2	0802221	SPADE PAD
30	1	0802398	INNER SPADE WELDMENT, LEFT
31	1	0802399	INNER SPADE WELDMENT, RIGHT
32	1	0802868	FRONT BODY MOUNTING TUBE
33	1	0803036	ALUMINUM BODY CROSSMEMBER WLDMT
34	1	0803402	SUBFRAME WELDMENT

Section VI - PARTS (cont'd)
BODY ASSEMBLY - 1040B / SDU



Section VI - PARTS (cont'd)

BODY ASSEMBLY - 1040B / SDU

REF. NO.	NO. REQ'D	PART NUMBER	DESCRIPTION
1	1	030	LEFT TOOL COMPARTMENT
2	1	030	RIGHT TOOL COMPARTMENT
3	6	0400061	SCREW, 1/4"-20 X 3/4" PAN HD MACH
4	8	0400101	SCREW, 5/16"-18 X 1" RD HD MACH
5	6	0400369	CLIP, 1/4" "J" TINNERMAN
6	8	0400379	NUT, 5/16"-18 "J" TINNERMAN
7	1	0711289	PANEL, SWITCH
8	1	0711290	PANEL, CONTROL
9	1	0711291	PANEL, GAUGE
10	1	0711292	PANEL, CONTROL
--	--	0900951	BODY MOUNTING HARDWARE KIT
--	64	0400303	SCREW, 7/8"-9 X 2-1/2" HEX HD CAP
--	64	0400436	NUT, 7/8"-9 HEX NYLOK
11	--	0901496	CENTURY NAMEPLATE KIT
--	6	0400035	SCREW, # 10-24 X 1/2" OVAL HD SELF TAP
--	2	0500406	CENTURY NAMEPLATE
--	--	0902104	MUDFLAP KIT
12	2	0301223	MUDFLAP
13	8	0400122	SCREW, 3/8"-16 X 1-1/4" HEX HD CAP
14	8	0400392	NUT, 3/8"-16 HEX NYLOK
15	2	0705092	BAR, MUDFLAP
--	--	0902150	RUBBER FENDER KIT
16	28 FT.	0300345	FENDER, RUBBER
17	76	0400566	RIVET, 1/4"
18	4	0706609	RETAINING STRIP, RUBBER FENDER

REF. NO.	NO. REQ'D	PART NUMBER	DESCRIPTION
--	--	0903427	DOOR SEAL KIT
--	60 FT.	0303200	DOOR GASKET
--	32 FT.	0303201	HINGE GASKET
--	--	0903570	DRIP RAIL KIT
--	51	0400025	SCREW, # 8-32 X 3/4" RD HD SLOTTED
--	3	0711404	DRIP RAIL EXTRUSION, 89"
--	2	0711405	DRIP RAIL EXTRUSION, 87"
--	2	0711409	DRIP RAIL EXTRUSION, 25"
--	--	0903616	DOOR CHECK KIT
--	4 FT.	0303398	CLEAR FLO TUBING
--	4	0303404	3/4" S-HOOK
--	4 FT.	0303405	# 3 STEEL DBL LOOP CHAIN
--	1 FT.	0303406	1/4" BUNGEE CORD
--	6	0400045	SCREW, # 10-32 X 1/2" RD HD THRD CUT
--	--	0904353	FORK STORAGE BRACKETS, ALUM. BODY
--	3	0400133	SCREW, 3/8"-16 X 3" HEX HD CAP
--	3	0400392	NUT, 3/8"-16 HEX NYLOK
--	1	0803768	CHAIN HANGER WELDMENT
--	4	0400122	SCREW, 3/8"-16 X 1-1/4" HEX HD CAP
--	3	0400140	SCREW, 3/8"-16 X 4" HEX HD CAP
--	7	0400392	NUT, 3/8"-16 HEX NYLOK
--	1	0802787	SDU VALVE BRACKET WELDMENT

Section VI - PARTS (cont'd)

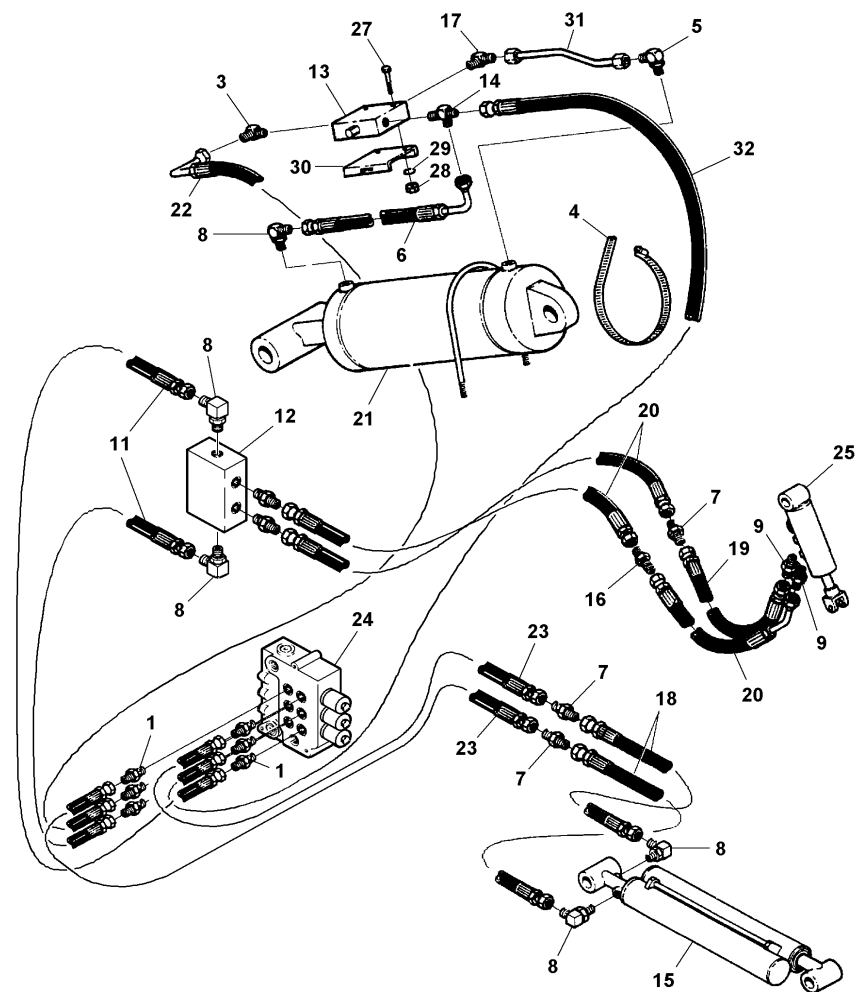
SDU ASSEMBLY

REF. NO.	NO. REQ	PART NUMBER	DESCRIPTION
1	2	0300108	SNAP RING, 2-1/2" EXTERNAL
2	10	0300113	GREASE FITTING
3	1	0301197	SPRING, DETENT
4	2	0301397	GREASE FITTING, 90°
5	1	0301398	BALL, DETENT
6	1	0301811	CYLINDER, SDU BOOM EXTENSION
7	2	0301814	SNAP RING, 3-1/2" EXTERNAL
8	3	0301817	SLIDE PAD, HORIZONTAL BOOM (LARGE)
9	2	0301818	SLIDE PAD, HORIZONTAL BOOM (SMALL)
10	4	0301820	BUSHING, CHAIN SHEAVE
11	1	0301822	"O" RING, PIVOT PIN
12	2	0301831	LIFT CHAIN
13	4	0301833	SPACER PAD, ROLLER SHAFT
14	8	0301835	EXT. RETAINING RING, ROLLER SHAFT
15	8	0301838	BEARING, ROLLER
16	4	0301869	SPRING, HOSE TENSIONER PULLEY
17	1	0302352	CYLINDER, SDU BOOM LIFT
18	1	0303042	CYLINDER, SDU BOOM FOLDING
19	1	0303088	BUSHING, PIVOT PIN
20	1	0303097	THRUST WASHER, 1/8"
21	1	0303098	THRUST WASHER, 1/16"
22	1	0304246	CLEVIS PIN, FOLD CYLINDER
23	8	0400044	SCREW, # 10 X 1/2" TYPE "U" DRIVE
24	1	0400066	SCREW, 1/4"-20 X 3/4" HEX HD CAP
25	4	0400082	EYEBOLT, 1/4"-20 X 1-1/8"
26	3	0400139	SCREW, 3/8"-16 X 1-1/2" SKT HD SET
27	6	0400142	SCREW, 3/8"-16 X 3/4" SKT HD CAP
28	6	0400151	SCREW, 3/8"-24 X 3/4" HEX HD CAP
29	4	0400152	SCREW, 3/8"-24 X 5/8" FLAT SKT HD
30	1	0400190	SCREW, 1/2"-13 X 6-1/2" HEX HD CAP
31	2	0400204	SCREW, 1/2"-13 X 3/4" SKT HD SET, CUP PT
32	2	0400271	SCREW, 5/8"-11 X 4-1/2" SKT HD CAP
33	4	0400367	NUT, 1/4"-20 HEX NYLOK
34	3	0400392	NUT, 3/8"-16 HEX NYLOK
35	1	0400408	NUT, 1/2"-13 HEX NYLOK
36	6	0400445	NUT, 1"-14 HEX
37	2	0400451	WASHER, 1/4" FLAT
38	6	0400481	LOCKWASHER, 3/8" EXT TOOTH
39	2	0400508	LOCKWASHER, 5/8" HELICAL
40	1	0400548	COTTER PIN, 3/16" X 2"
41	2	0400572	SPRING PIN, 1/2" X 4"
42	2	0703231	STOP PLATE, OUTER BOOM

REF. NO.	NO. REQ	PART NUMBER	DESCRIPTION
43	1	0703233	STOP PLATE
44	1	0703235	SHAFT, INNER BOOM CYLINDER
45	1	0703236	SHAFT, OUTER BOOM CYLINDER
46	1	0703238	BAR, THIRD STAGE BOOM RETRACTING
47	4	0703239	SHEAVE, LIFT CHAIN
48	1	0703243	SHAFT, BOOM PIVOT
49	1	0703244	SHAFT, CYLINDER END, LIFT CYLINDER
50	1	0703245	SHAFT, ROD END, LIFT CYLINDER
51	1	0703259	SHAFT, VERTICAL BOOM CYLINDER
52	2	0703277	PAD, SLIDER
53	4	0703394	SHIM, ROLLER SHAFT
54	8	0703396	SPACER, SHEAVE WHEEL
55	12	0703397	SPACER, ROLLER
56	4	0703405	ROLLER
57	4	0703407	BRACKET, LIFT CHAIN ATTACHING
58	2	0703415	ROD, CHAIN TENSIONER
59	1	0703416	"U" BOLT, LIFT CYLINDER RETAINING
60	4	0703462	SPACER, ROLLER BEARING
61	2	0703484	PULLEY, HOSE TENSIONER
62	2	0703487	BRACKET, HOSE TENSIONER
63	4	0703488	WASHER, HOSE TENSIONER
64	1	0703583	BAR, HYDRAULIC HOSE RETAINING
65	1	0708470	SPACER, DETENT SPRING
66	1	0710051	PIVOT PIN, TOP HALF
67	1	0710052	PIVOT PIN, BOTTOM HALF
68	2	0800590	TEE HANDLE
69	1	0800998	SECOND STAGE BOOM WELDMENT, SDU
70	1	0801001	OUTER BOOM WELDMENT, SDU
71	1	0801040	VERTICAL BOOM WELDMENT
72	1	0802155	FORK ADAPTER, LEFT OFFSET
73	1	0802156	FORK ADAPTER, RIGHT OFFSET
74	1	0802914	CROSSBAR WELDMENT
75	1	0802915	THIRD STAGE BOOM WELDMENT, SDU
76	4	0900864	SHEAVE ASSEMBLY, LIFT CHAIN
77	1	0900879	SAFETY LOCK PIN ASSEMBLY
78	2	0900880	SHAFT, ROLLER
79	4	0900888	ROLLER & BEARING ASSEMBLY
80	2	0900900	RETAINER PIN ASSEMBLY
81	8	0300358	SCREW, 1"-14NF X 2" SKT HD CAP
82	4	0400317	SNAP RING, 9/16" EXTERNAL
83	2	0703234	PIN, LIFT CHAIN

Section VI - PARTS (cont'd)

SDU HYDRAULICS



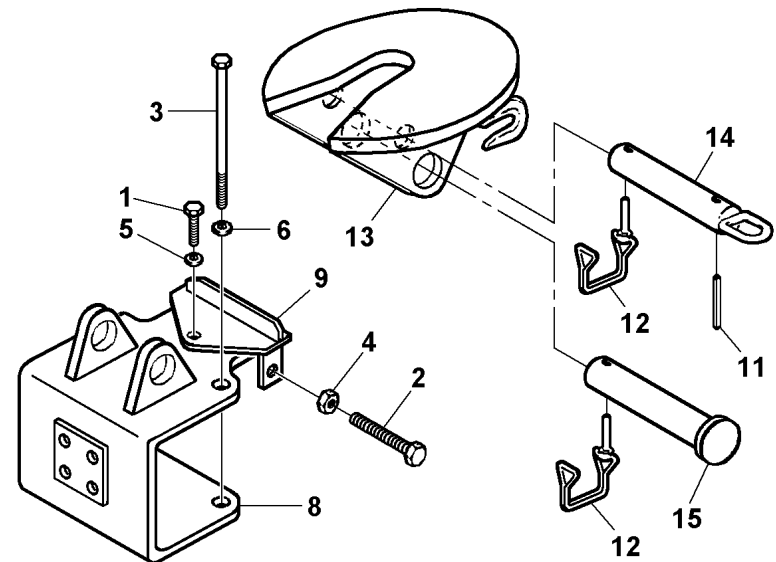
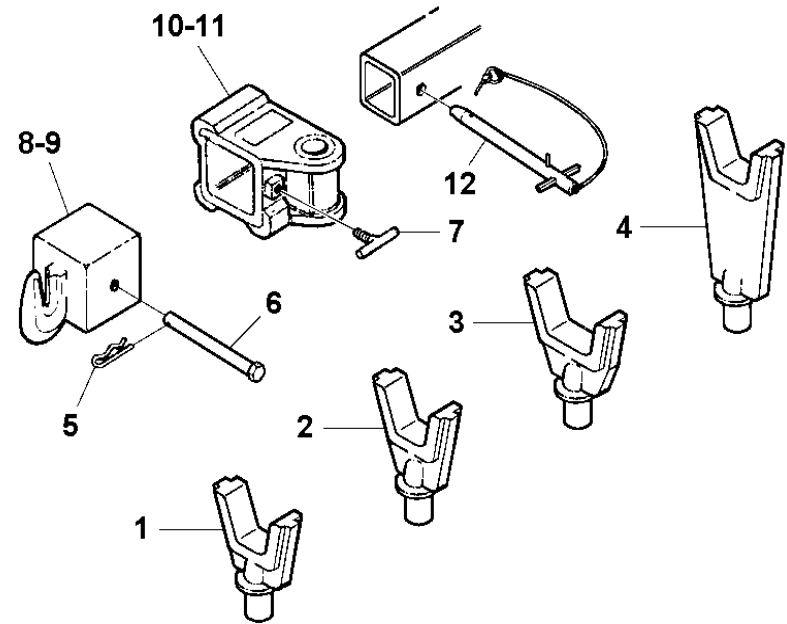
Section VI - PARTS (cont'd)

SDU HYDRAULICS

REF. NO.	NO. REQ.	PART NUMBER	DESCRIPTION
1	6	0300044	CONNECTOR, 6MJ-8MB
2	20	0300132	CABLE TIE, BLACK (Not Shown)
3	1	0300209	ELBOW, 6MJ-6MP90
4	1	0300644	HOSE CLAMP, 8"
5	1	0300901	ELBOW, 4TB-8MP90
6	1	0301412	HOSE ASSEMBLY, 10-3/4"
7	3	0301422	UNION, 6MJ-6MJ HEX
8	5	0301470	ELBOW, 6MJ-8MB90
9	2	0301522	CONNECTOR, 6MJ-6MB
10	8	0301601	HOSE CLAMP, 5/8" INSULATED (Not Shown)
11	2	0301660	HOSE ASSEMBLY, 21"
12	1	0301730	DOUBLE HOLDING VALVE
13	1	0301731	HOLDING VALVE, 4000 PSI
14	1	0301782	MALE RUN TEE, 6MJ-4MP-6MJ
15	1	0301811	CYLINDER, BOOM EXTENSION
16	1	0301837	INLINE ORIFICE
17	1	0301874	ELBOW, 4TB-6MP90
18	2	0301878	HOSE ASSEMBLY, 137"
19	1	0301879	HOSE ASSEMBLY, 108"
20	3	0301880	HOSE ASSEMBLY, 107"
21	1	0302352	CYLINDER, SDU LIFT
22	1	0302603	HOSE ASSEMBLY, 86"
23	2	0302635	HOSE ASSEMBLY, 131"
24	1	0302798	CONTROL VALVE, VDP11DDC10
25	1	0303042	CYLINDER, BOOM FOLD
26	54 FT.	0303193	BLACK HOSE "SKUFF" JACKET (Not Shown)
27	2	0400107	SCREW, 5/16"-18 X 2-1/2" HEX HD CAP
28	2	0400382	NUT, 5/16"-18 NYLOK HEX
29	4	0400463	WASHER, 5/16" FLAT
30	1	0703435	PLATE, HOLDING VALVE MOUNTING
31	1	0703545	TUBE, LIFT CYLINDER HOLDING VALVE
32	1	4823037	HOSE ASSEMBLY, 84"

Section VI - PARTS (cont'd)

SDU LIFT ADAPTERS & KING PIN ADAPTER



Section VI - PARTS (cont'd)

SDU LIFT ADAPTERS

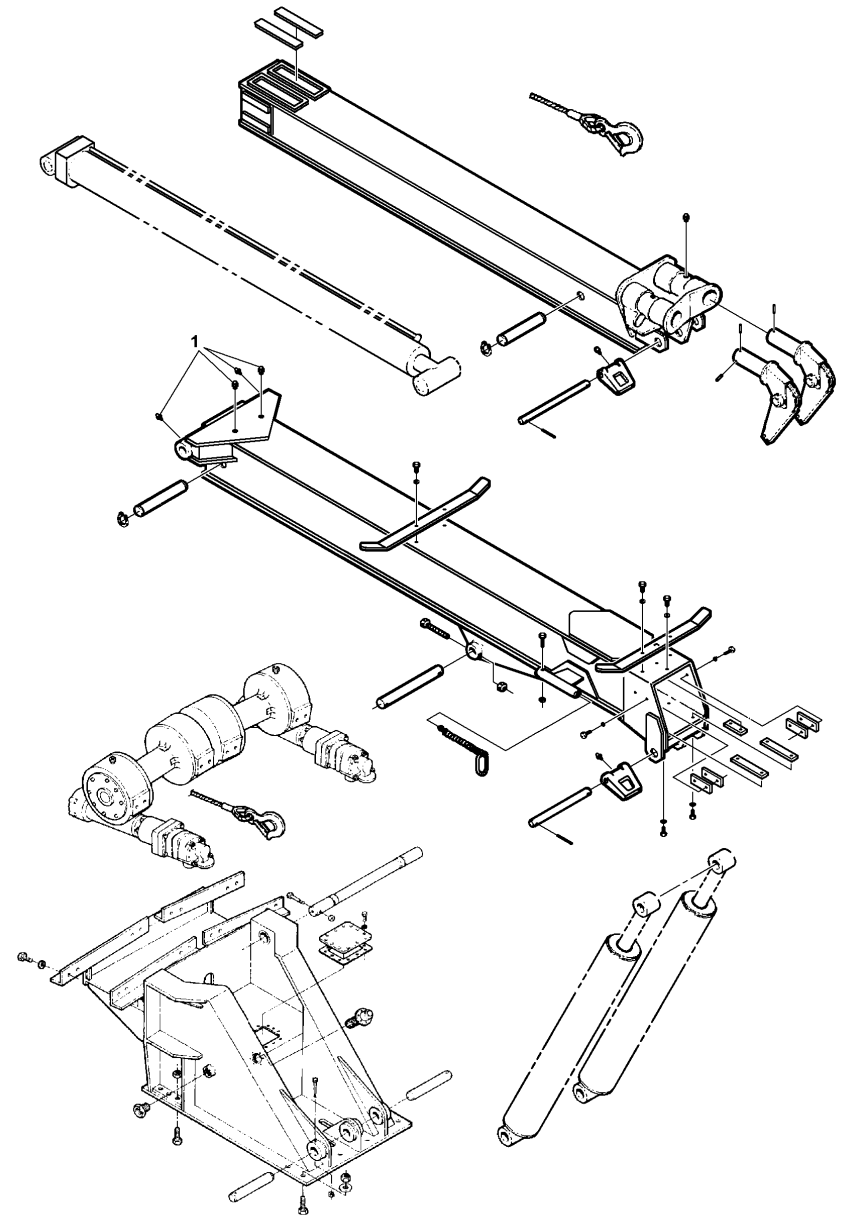
REF. NO	NO. REQ'D	PART NUMBER	DESCRIPTION
1	2	0200018	FORK, SHORT (3" OPENING)
2	2	0200020	FORK, MEDIUM (3" OPENING)
3	2	0200021	FORK, MEDIUM (4-1/2" OPENING)
4	2	0200023	FORK, LONG (4-1/2" OPENING)
5	2	0400585	HAIR PIN COTTER, 1-1/4"
6	2	0711002	MODIFIED BOLT, 5/8"-11 X 6" w/HOLE
7	2	0800590	TEE HANDLE, FORK ADAPTER
8	1	0801186	CHAIN HOOK ADAPTER, RT
9	1	0801187	CHAIN HOOK ADAPTER, LT
10	1	0803591	OFFSET FORK ADAPTER, LT
11	1	0803592	OFFSET FORK ADAPTER, RT
12	2	0900900	RETAINER PIN ASSEMBLY

KING PIN ADAPTER

REF. NO.	NO. REQ'D	PART NUMBER	DESCRIPTION
1	1	0400188	SCREW, 1/2"-13 X 2" HEX HD CAP
2	2	0400282	SCREW, 3/4"-10 X 2-3/4" HEX HD CAP
3	2	0400316	SCREW, 7/8"-9 X 8" HEX HD CAP
4	2	0400440	NUT, 3/4"-10 HEX JAM
5	1	0400491	LOCKWASHER, 1/2" HELICAL
6	2	0400515	LOCKWASHER, 7/8" HELICAL
7	1	0706623	ADAPTER, TRAILER KING PIN (NOT SHOWN)
8	1	0802961	BRACKET WELDMENT
9	1	0802962	LOCK PLATE WELDMENT
--	1	0902782	FIFTH WHEEL ADAPTER (COMPLETE)
10	1	0400303	SCREW, 7/8"-9 X 2-1/2" HEX HD CAP
11	1	0400555	ROLL PIN, 3/8" X 1-1/2"
12	2	HD1259	PIN, SNAPPER
13	1	VA0660	5TH WHEEL PIVOT PLATE WELDMENT
14	1	VA0661	PULL PIN WELDMENT
15	1	VA0662	PIVOT PIN WELDMENT

Section VI - PARTS (cont'd)

1040B WRECKER ASSEMBLY



Section VI - PARTS (cont'd)

1040B WRECKER ASSEMBLY

REF. NO.	NO. REQ'D	PART NUMBER	DESCRIPTION
1	6	0300113	GREASE FITTING
2	4	0300329	SNAP RING, 2" EXTERNAL
3	1	0301110	LH WINCH, H-800
4	1	0301111	RH WINCH, H-800
5	2	0301112	HYDRAULIC MOTOR
6	2	0301224	WIRE ROPE, 6 X 19 IPS, 5/8" X 200 FT.
7	1	0301541	SIGHT GAGE, TYPE S-1
8	2	0301691	OBLONG MASTER LINK
9	2	0301923	SLIDE PAD, BOOM BOTTOM
10	2	0301924	SLIDE PAD, BOOM SIDE
11	2	0302222	BOOM LIFT CYLINDER
12	2	0302273	SPRING, WINCH CABLE TIE BACK
13	2	0302290	SLIDE PAD
14	1	0303356	BOOM EXTEND CYLINDER
15	1	0305006	CAP, FILLER
16	6	0400036	SCREW, # 10-32 X 1" RD HD MACH
17	4	0400066	SCREW, 1/4"-20 X 3/4" HEX HD CAP
18	4	0400121	SCREW, 3/8"-16 X 3/4" HEX HD CAP
19	13	0400122	SCREW, 3/8"-16 X 1-1/4" HEX HD CAP
20	4	0400126	SCREW, 3/8"-16 X 1" HEX HD CAP
21	2	0400141	SCREW, 3/8"-16 X 7/8" HEX HD CAP
22	4	0400167	SCREW, 3/8"-16 X 3-3/4" HEX HD CAP
23	8	0400188	SCREW, 1/2"-13 X 2" HEX HD CAP
24	2	0400205	SCREW, 1/2"-13 X 3" HEX HD CAP
25	1	0400206	SCREW, 1/2"-13 X 5" HEX HD CAP
26	4	0400248	SCREW, 5/8"-11 X 1" HEX HD CAP
27	16	0400283	SCREW, 3/4"-10 X 2" HEX HD CAP
28	7	0400306	SCREW, 7/8"-9 X 3" HEX HD CAP
29	8	0400307	SCREW, 7/8"-9 X 4" HEX HD CAP
30	6	0400357	NUT, # 10-32 NYLOK HEX
31	6	0400392	NUT, 3/8"-16 NYLOK HEX

REF. NO.	NO. REQ'D	PART NUMBER	DESCRIPTION
32	3	0400408	NUT, 1/2"-13 NYLOK HEX
33	15	0400437	NUT, 7/8"-9 NYLOK HEX
34	4	0400451	WASHER, 1/4" FLAT
35	4	0400481	LOCKWASHER, 3/8" EXT. TOOTH
36	2	0400480	WASHER, 3/8" FLAT
37	10	0400482	LOCKWASHER, 3/8" HELICAL
38	8	0400491	LOCKWASHER, 1/2" HELICAL
39	4	0400508	LOCKWASHER, 5/8" HELICAL
40	16	0400511	LOCKWASHER, 3/4" HELICAL
41	6	0400557	ROLL PIN, 1/2" X 1-1/4"
42	2	0700628	SHAFT, LIFT CYLINDER ROD
43	2	0703442	SKID, FAIRLEAD ASSEMBLY
44	2	0703734	SHIM, SIDE PLATE, OUTER BOOM
45	1	0705870	CABLE SUPPORT WING, BOOM END
46	1	0705902	SHAFT, BOOM PIVOT
47	1	0705903	TOP SPACER, OUTER BOOM
48	1	0705908	SHAFT, ROD END
49	1	0705909	SHAFT, BASE END
50	1	0705910	COVER PLATE
51	1	0706042	CABLE WING, LONG
52	1	0706114	COVER GASKET
53	2	0706122	SHAFT, LOWER LIFT CYLINDER
54	8	0706668	SHIM, WINCH MOUNTING
55	1	0801953	1040B WRECKER FRAME
56	1	0803208	INNER BOOM WELDMENT
57	1	0803209	OUTER BOOM WELDMENT
58	1	0803243	CYLINDER SUPPORT WELDMENT
59	1	0803244	CYLINDER SUPPORT STRAP
60	1	0901673	BOOM SWIVEL ASSEMBLY, LEFT
61	1	0901674	BOOM SWIVEL ASSEMBLY, RIGHT

Section VI - PARTS (cont'd)

**1040B WRECKER HYDRAULICS
(LESS BOOM ELEVATION HYDRAULICS)**

Section VI - PARTS (cont'd)
1040B WRECKER HYDRAULICS
(LESS BOOM ELEVATION HYDRAULICS)

REF. NO.	NO. REQ'D	PART NUMBER	DESCRIPTION
1	REF.	0300010	CONTROL VALVE, VDP11DDD108
2	6	0300041	CONNECTOR, 8MJ-8MB
3	2	0300113	GREASE FITTING
4	2	0301112	HYDRAULIC WINCH MOTOR
5	4	0301228	CONNECTOR, 10MJ-16MB
6	5	0301487	HOSE CLAMP, 1/2"
7	3	0301893	HOSE ASSEMBLY, 84"
8	1	0301906	HOLDING VALVE
9	4	0301982	BULKHEAD ELBOW w/ NUT, 12MJ90
10	2	0302222	CYLINDER, BOOM LIFT
11	3	0302308	HOSE ASSEMBLY, 75"
12	2	0302321	ELBOW, 8MJ-8MB45
13	4	0302630	HOSE ASSEMBLY, 58"
14	2	0302955	HOSE ASSEMBLY, 48-1/4"
15	1	0303356	CYLINDER, BOOM EXTEND
16	2	0303590	BULKHEAD ELBOW w/ NUT, 8MJ90

Section VI - PARTS (cont'd)

1040B BOOM ELEVATION HYDRAULICS

Section VI - PARTS (cont'd)

1040B BOOM ELEVATION HYDRAULICS

REF. NO.	NO. REQ'D	PART NUMBER	DESCRIPTION
1	REF.	0300010	CONTROL VALVE, VDP11DDD108
2	2	0300040	CONNECTOR, 8MJ-8MP
3	3	0300041	CONNECTOR, 8MJ-8MB
4	4	0300113	GREASE FITTING
5	1	0300644	HOSE CLAMP, 8"
6	1	0300761	STRAIGHT ADAPTER
7	2	0300762	MALE CONNECTOR
8	1	0300763	MALE ELBOW
9	1	0300766	MALE BRANCH TEE
10	2	0300901	ELBOW
11	1	0301445	CONNECTOR, 8MJ-8MBL
12	4	0301471	HOSE ASSEMBLY, 30"
13	5	0301487	HOSE CLAMP, 1/2"
14	2	0301712	HOSE ASSEMBLY, 64"
15	1	0301906	HOLDING VALVE
16	2	0302222	CYLINDER, BOOM LIFT
17	5	0400066	SCREW, 1/4"-20 X 3/4" HEX HD CAP
18	2	0400146	NUT, 1/4"-20 HEX NYLOK
19	5	0400367	SCREW, 3/8"-16 X 2-1/4" HEX HD CAP
20	2	0400392	NUT, 3/8"-16 HEX NYLOK
21	1	0703745	TUBE, EXTEN. ELEV. CYLINDER
22	1	0705834	TUBE
23	1	0705835	TUBE
24	1	0705867	TUBE, HYD. PIPE, ELEV. CYLINDER
25	1	0709710	TUBE, EXTEN. ELEV. CYLINDER
26	1	0709711	TUBE, EXTEN. ELEV. CYLINDER
27	1	0802883	BRACKET, HOLDING VALVE
28	1	HC1413	TEE FITTING

Section VI - PARTS (cont'd)
PUMP, VALVE & FILTER HYDRAULICS

Section VI - PARTS (cont'd)

PUMP, VALVE & FILTER HYDRAULICS

REF. NO.	NO. REQ'D	PART NUMBER	DESCRIPTION
1	2	0300010	CONTROL VALVE, VDP11DDD108
2	6	0300044	CONNECTOR, 6MJ-8MB
3	4	0300052	ELBOW, 8MJ-10MB90
4	4	0300055	BARB, 12C4-12MP
5	1	0300286	ADAPTER, H.P.C.O.
6	4	0300364	HOSE CLAMP, 1" - 2-1/4"
7	1	0300446	PIPE PLUG, 3/4" NPT MALE
8	2	0300628	RETURN LINE FILTER ASSEMBLY
9	2	0300660	HOSE ASSEMBLY, 120"
10	2	0300666	BARB, 24C4-24MP
11	24 FT.	0300671	HOSE, 1-1/2" SUCTION
12	2	0300692	STREET ELBOW, 90°, 1"
13	2	0300865	CONNECTOR, 8MJ-8MJ
14	2	0300891	PIPE NIPPLE, 1-1/2" X 3"
15	2	0301373	PIPE BUSHING, 2" NPT - 1-1/2" NPT
16	2	0301375	ELBOW, 12MB-12FP90
17	1	0301388	ELBOW, 8MJ-8MB90
18	1	0301507	HYDRAULIC PUMP, OPPOSITE ENGINE
19	2	0301529	HOSE ASSEMBLY, 58"
20	4	0301547	ELBOW, 8MJ-12MB90
21	18 FT.	0301674	HOSE, 3/4" RETURN
22	3	0301880	HOSE ASSEMBLY, 107"
23	2	0301995	ADAPTER, 8FJ-6MJ
24	2	0302052	RUN TEE, 8MJ-8FJX-8MJ
25	2	0302088	BALL VALVE, BRONZE
26	3	0302205	GAUGE, FLUSH MOUNT, 6000 PSI
27	1	0302242	FLANGE FITTING, 24FL-24HOSE90
28	2	0302277	HOSE ASSEMBLY, 106"
29	3	0302577	CONNECTOR, 6MJ-4FP
30	1	0302603	HOSE ASSEMBLY, 86"
31	2	0302635	HOSE ASSEMBLY, 131"
32	1	0302798	CONTROL VALVE, VDP11DDC132
33	2	0302983	STREET ELBOW, 1-1/2" 45°
34	1	0303032	ELBOW, 24MJ-20MB90
35	1	0303033	HOSE BARB, 24C4-24FJX
36	1	0303190	HOSE ASSEMBLY, 84"
37	6	0303290	HOSE CLAMP, 2-1/2" INSULATED
38	9	0400021	SCREW, # 8-32 X 1/2" RD HD MACH
39	6	0400135	SCREW, 3/8"-16 X 4-1/2" HEX HD CAP
40	9	0400351	HEX NUT & STAR WASHER, # 8-32
41	6	0400392	NUT, 3/8"-16 NYLOK HEX
42	6	0704045	SPACER, CONTROL VALVE

Section VI - PARTS (cont'd)
AIR FREE SPOOL

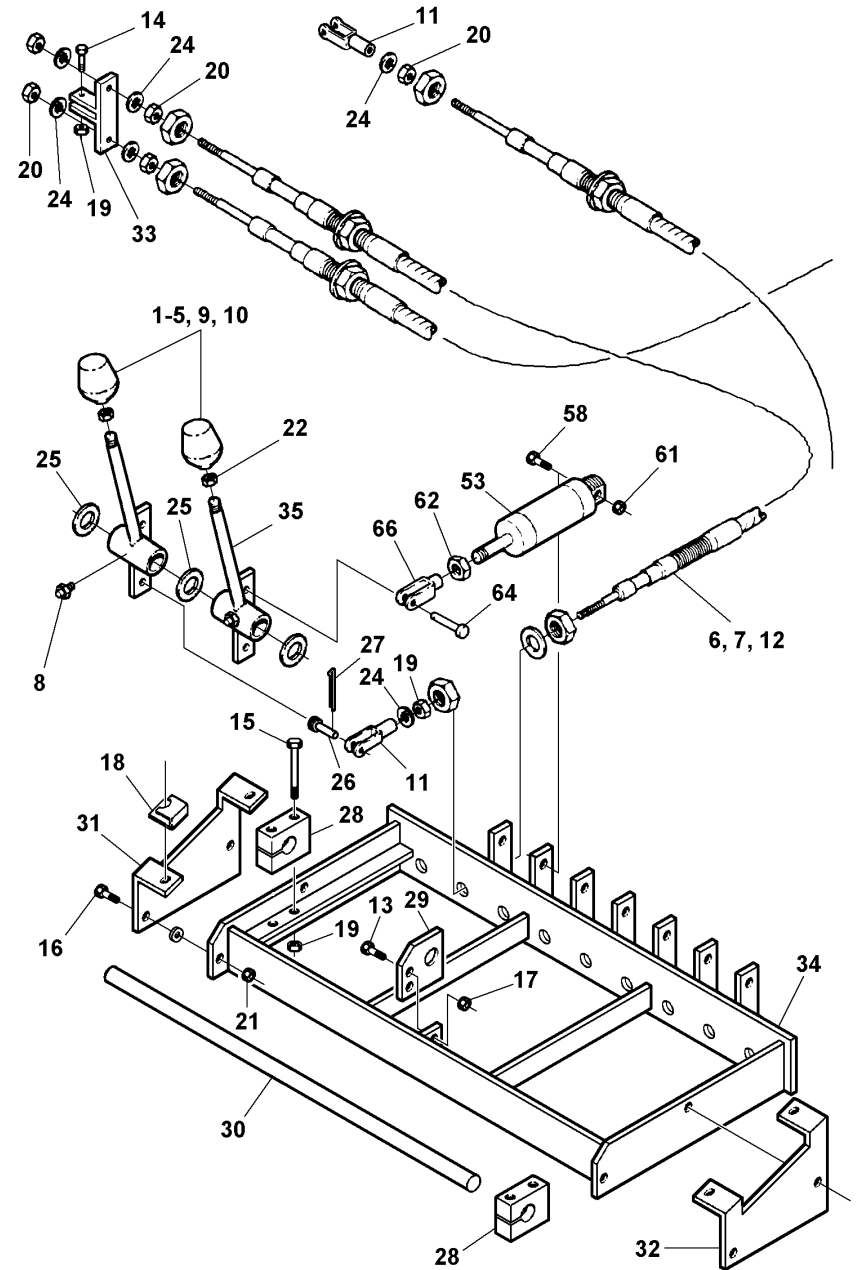
Section VI - PARTS (cont'd)

AIR FREE SPOOL

REF. NO.	NO. REQ	PART NUMBER	DESCRIPTION
1	2	0300324	SOLENOID VALVE, AIR CONTROL
2	2	0300897	RUBBER GROMMET
3	1	0301110	WINCH, H-800 LEFT
4	1	0301111	WINCH, H-800 RIGHT
5	2	0301574	ELBOW, 4TB-4MP90
6	18 FT.	0301577	AIR HOSE, 1/4" O.D.
7	2	0301893	HOSE ASSEMBLY, 84"
8	2	0302055	AIR CYLINDER
9	7 FT.	0302431	CONVOLUTED LOOM, 3/8"
10	1	0302607	TEE UNION, 4TB-4TB-4TB
11	2	0302677	BREATHER VENT, 1/8" MP
12	4	0302678	ELBOW, 4TB-2MP90
13	1	0302744	AIR FREE SPOOL HARNESS
14	4	0400034	SCREW, # 10-32 X 1/2" RD HD PHIL
15	8	0400059	SCREW, 1/4"-20 X 5/8" HEX HD CAP
16	2	0400121	SCREW, 3/8"-16 X 3/4" HEX HD CAP
17	4	0400122	SCREW, 3/8"-16 X 1-1/4" HEX HD CAP
18	2	0400132	SCREW, 3/8"-16 X 1-1/2" HEX HD CAP
19	4	0400356	NUT, # 10-32 HEX
20	8	0400367	NUT, 1/4"-20 HEX NYLOK
21	8	0400392	NUT, 3/8"-16 HEX NYLOK
22	2	0400412	NUT, 1/2"-20 HEX JAM
23	8	0400480	WASHER, 3/8" FLAT
24	2	0400510	WASHER, 3/4" FLAT
25	4	0400520	LOCKWASHER, # 10 HELICAL
26	2	0400530	CLEVIS PIN, 5/16" X 1-1/4"
27	2	0400543	COTTER PIN, 1/8" X 3/4"
28	2	0702382	MOUNTING ANGLE
29	2	0706859	CHANNEL, CYLINDER MOUNTING
30	2	0706860	CHANNEL, CYLINDER COVER
31	2	0800772	ADJUSTMENT YOKE

Section VI - PARTS (cont'd)

LEFT CONTROL ASSEMBLY



Section VI - PARTS (cont'd)

LEFT CONTROL ASSEMBLY

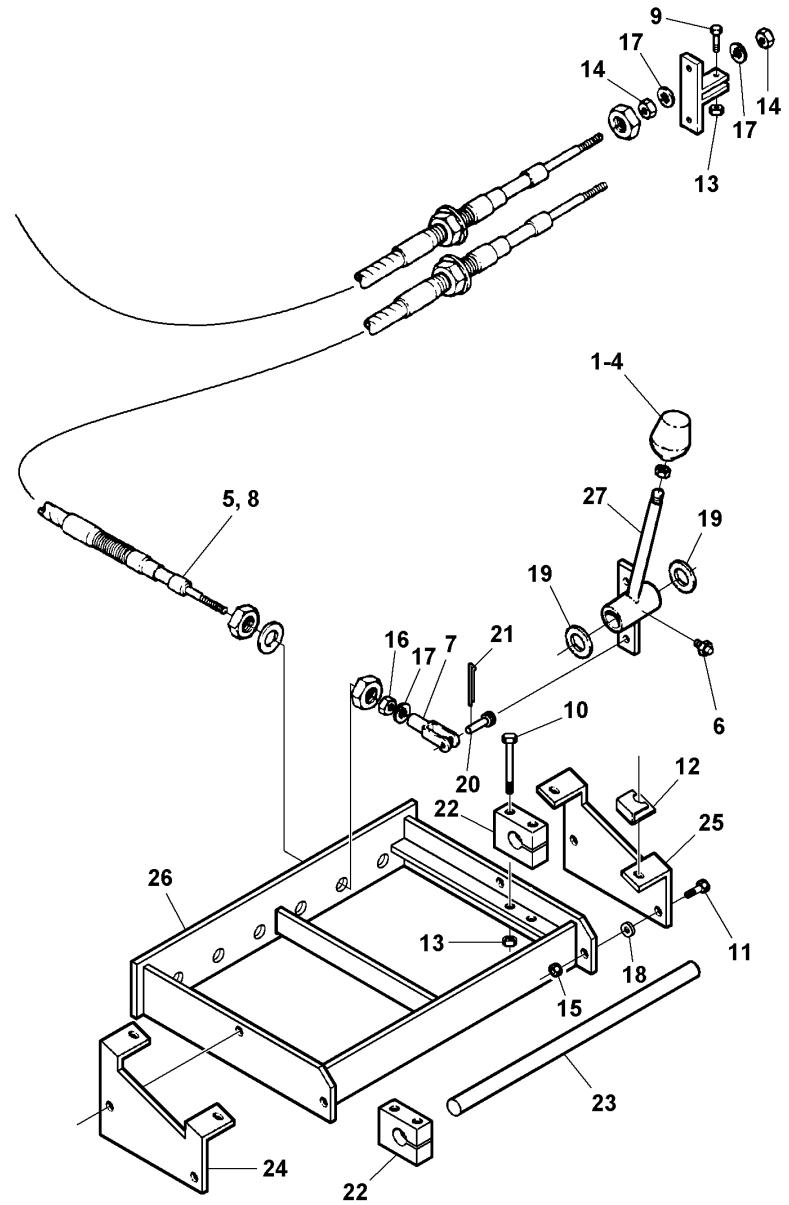
REF. NO.	NO. REQ	PART NUMBER	DESCRIPTION
1	1	0300341	CONTROL KNOB, W/L (UP/DOWN)
2	2	0300834	CONTROL KNOB, (IN/OUT)
3	1	0300835	CONTROL KNOB, BOOM (UP/DOWN)
4	2	0300836	CONTROL KNOB, JACK (UP/DOWN)
5	1	0300837	CONTROL KNOB, BOOM (IN/OUT)
6	1	0301884	CONTROL CABLE, 96"
7	4	0302457	CONTROL CABLE, 104"
8	9	0302726	GREASE FITTING, 1/4"-28 X 45°
9	1	0302856	CONTROL KNOB, TILT (UP/DOWN)
10	1	0302917	CONTROL KNOB, W/L EXTEND (IN/OUT)
11	12	0303008	ADJUSTABLE CLEVIS
12	4	0303427	CONTROL CABLE, 114"
13	2	0400066	SCREW, 1/4"-20 X 3/4" HEX HD CAP
14	9	0400103	SCREW, 5/16"-18 X 1-1/4" HEX HD CAP
15	4	0400107	SCREW, 5/16"-18 X 2-1/2" HEX HD CAP
16	4	0400122	SCREW, 3/8"-16 X 1-1/4" HEX HD CAP
17	2	0400367	NUT, 1/4"-20 HEX NYLOK
18	4	0400379	NUT, 5/16"-18 "J" TINNEMAN
19	9	0400382	NUT, 5/16"-18 HEX NYLOK
20	36	0400383	NUT, 5/16"-24 HEX
21	10	0400392	NUT, 3/8"-16 HEX NYLOK
22	9	0400393	NUT, 3/8"-16 HEX JAM
23	4	0400451	WASHER, 1/4" FLAT
24	24	0400466	WASHER, 5/16" INTERNAL TOOTH
25	10	0400512	WASHER, 3/4" FLAT (SPECIAL)
26	9	0400532	CLEVIS PIN, 5/16" X 1"
27	9	0400541	COTTER PIN, 1/16" X 3/4"
28	2	0711235	CLAMP, SHAFT CONTROL BOX
29	1	0711245	PLATE, SHAFT SUPPORT
30	1	0711246	PIN, CONTROL BOX
31	1	0711284	SUPPORT, CONTROL (LEFT)
32	1	0711285	SUPPORT, CONTROL (RIGHT)
33	6	0801054	CONTROL CABLE CONNECTOR
34	1	0803182	CONTROL FRAME WELDMENT
35	9	0803294	CONTROL HANDLE WELDMENT

REMOTE CONTROL ASSEMBLY

REF. NO.	NO. REQ	PART NUMBER	DESCRIPTION
--	--	--	REMOTE CONTROL ASSEMBLY
36	12	0300166	WIRE CONNECTOR, SPADE
37	1	0301574	ELBOW, 4TB-4MP90
38	15	0301577	AIR HOSE, 1/4" O.D. (FT.)
39	2	0301610	CONNECTOR, 4TB-4MP
40	2	0301618	BRASS PLUG, 4MP
41	2	0302048	CABLE SEALING GRIP
42	2	0302340	HEX PIPE BUSHING
43	1	0302431	CONVOLUTED LOOM, 3/8" X 8"
44	35	0302434	CABLE TIE, 4" 18 LB.
45	1	0302677	BREATHER VENT, 2MP
46	12	0302678	ELBOW, 4TB-2MP
47	1	0302844	AIR SOLENOID VALVE (8)
--	1	0303479	AIR SOLENOID VALVE (14)
48	1	0303226	CIRCUIT BREAKER, HI-AMP WATERPROOF
49	1	0303235	TERMINAL BLOCK
50	1	0303250	POWER PAL, 15 POSITION
51	1	0303251	POWER PAL, 8 POSITION
52	8	0303322	ELECTRICAL CABLE, 16/10 SO (FT.)
53	3	0303335	AIR CYLINDER
54	1	0303363	AIR FILTER/REGULATOR
55	1	0303364	AIR LUBRICATOR
56	1	0303365	MOUNTING BRACKET
57	2	0400025	SCREW, # 8-32 X 3/4" RD HD SLOTTED
58	3	0400057	SCREW, 1/4"-20 X 1-1/4" HEX HD CAP
59	2	0400078	SCREW, 1/4"-20 X 2" HEX HD CAP
60	2	0400351	HEX NUT & STAR WASHER, # 8-32
61	5	0400367	NUT, 1/4"-20 HEX NYLOK
62	3	0400401	NUT, 7/16"-20 HEX JAM
63	2	0400451	WASHER, 1/4" FLAT
64	3	0400527	CLEVIS PIN, 5/16" X 5/8" COTTERLESS
65	1	0711277	SUPPORT, SOLENOID VALVE (8)
--	1	0711836	SUPPORT, SOLENOID VALVE (14)
66	3	0803181	CLEVIS WELDMENT
67	1	HA0132	GAUGE, 0-160 PSI

Section VI - PARTS (cont'd)

RIGHT CONTROL ASSEMBLY



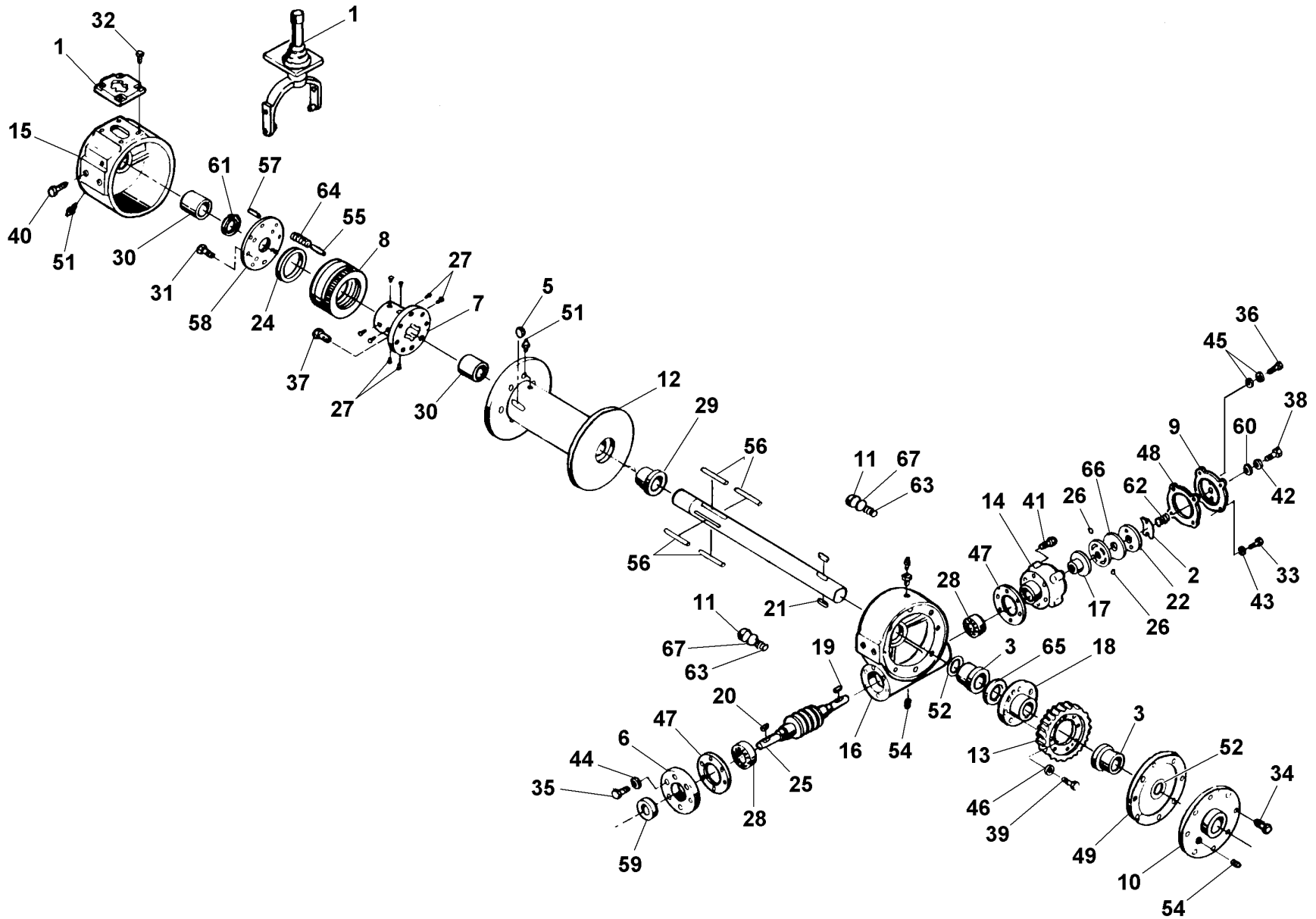
Section VI - PARTS (cont'd)

RIGHT CONTROL ASSEMBLY

REF. NO.	NO. REQ	PART NUMBER	DESCRIPTION
1	2	0300834	CONTROL KNOB, (IN/OUT)
2	1	0300835	CONTROL KNOB, BOOM (UP/DOWN)
3	2	0300836	CONTROL KNOB, JACK (UP/DOWN)
4	1	0300837	CONTROL KNOB, BOOM (IN/OUT)
5	3	0302457	CONTROL CABLE, 104"
6	6	0302726	GREASE FITTING, 1/4"-28 X 45°
7	6	0303008	ADJUSTABLE CLEVIS
8	3	0303427	CONTROL CABLE, 114"
9	6	0400103	SCREW, 5/16"-18 X 1-1/4" HEX HD CAP
10	4	0400107	SCREW, 5/16"-18 X 2-1/2" HEX HD CAP
11	4	0400122	SCREW, 3/8"-16 X 1-1/4" HEX HD CAP
12	4	0400379	NUT, 5/16"-18 "J" TINNERMAN
13	10	0400382	NUT, 5/16"-18 HEX NYLOK
14	18	0400383	NUT, 5/16"-24 HEX
15	4	0400392	NUT, 3/8"-16 HEX NYLOK
16	6	0400393	NUT, 3/8"-16 HEX JAM
17	18	0400466	WASHER, 5/16" INTERNAL TOOTH
18	4	0400480	WASHER, 3/8" FLAT
19	7	0400512	WASHER, 3/4" FLAT (SPECIAL)
20	6	0400532	CLEVIS PIN, 5/16" X 1"
21	6	0400541	COTTER PIN, 1/16" X 3/4"
22	2	0711235	CLAMP, SHAFT CONTROL BOX
23	1	0711247	PIN, CONTROL BOX
24	1	0711284	SUPPORT, CONTROL (LEFT)
25	1	0711285	SUPPORT, CONTROL (RIGHT)
26	1	0803183	CONTROL FRAME WELDMENT
27	6	0803294	CONTROL HANDLE WELDMENT

Section VI - PARTS (cont'd)

WINCH ASSEMBLY - H-800 DOW-LOK



Section VI - PARTS (cont'd)

WINCH ASSEMBLY - H-800 DOW-LOK

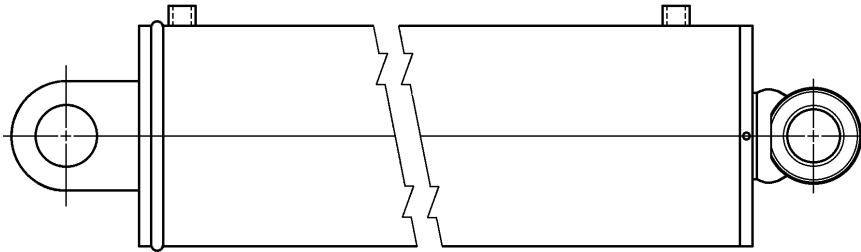
REF NO.	NO. REQ	PART NUMBER	DESCRIPTION
1	1	276033	SHIFTER ASSEMBLY
2	1	306035	SPRING, FLAT
3	2	308083	BUSHING
4	1	314007	CAM PLATE
5	1	314010	CABLE ANCHOR
6	1	316008	CAP, BEARING
7	1	324151	CLUTCH
8	1	324318	LOCKING RING
9	1	326027	COVER, BRAKE
10	1	328122	COVER, GEAR HOUSING
11	2	330010	SHOE, DRAG BRAKE
12	1	332120	DRUM
13	1	334066	GEAR, R.H.
14	1	338221	HOUSING, BRAKE
15	1	338235	HOUSING, CLUTCH
16	1	338242	HOUSING, GEAR
17	1	340011	HUB, BRAKE
18	1	340068	HUB, GEAR
19	1	342053	KEY
20	1	342092	KEY
21	2	342153	KEY
22	1	352021	PLATE, RETAINER
23	1	357433	SHAFT, DRUM
24	1	362224	SPACER
25	1	368082	WORM, R.H.
26	2	400007	BALL, BRAKE
27	8	400011	BALL, CLUTCH
27	2	402045	BEARING, BALL
29	1	412051	BUSHING
30	2	412052	BUSHING
31	1	413028	COVER, SHIFTER
32	4	414038	CAPSCREW, 1/4"-20 X 3/4" LG HEX HD
33	4	414069	CAPSCREW, 5/16"-18 X 3/4" LG HEX HD
34	4	414111	CAPSCREW, 5/16"-18 X 1" LG HEX HD

REF NO.	NO. REQ	PART NUMBER	DESCRIPTION
35	8	414277	CAPSCREW, 3/8"-16'X 1" LG HEX HD NYLOK
36	6	414282	CAPSCREW, 3/8"-16 X 1-1/4" LG HEX HD
37	2	414399	CAPSCREW, 3/8"-24 X 1-1/4" LG HX HD ALL-THRD
38	8	414571	CAPSCREW, 1/2"-20 X 1-1/4" LG HEX HD
39	1	414603	CAPSCREW, 1/2"-20 X 1-3/4" LG HX HD ALL-THRD
40	8	414606	CAPSCREW, 1/2"-20 X 2"LG HEX HD
41	6	414897	CAPSCREW, 3/8"-16 X 1" LG SOC HD
42	1	418067	NUT, 1/2"-20 HEX JAM
43	4	418163	LOCKWASHER, 5/16" MED SECT
44	6	418177	LOCKWASHER, 3/8" MED SECT
45	4	418184	WASHER, FLAT 3/8" ALUM.
46	8	418217	LOCKWASHER, 1/2" MED SECT
47	2	442192	GASKET
48	1	442194	GASKET
49	1	442195	GASKET
50	1	456008	FITTING, RELIEF
51	2	456031	FITTING, LUBE
52	2	462013	QUAD, RING
53	1	468002	REDUCER
54	2	468011	PIPE PLUG
55	4	470042	PIN, ROLL
56	4	470044	PIN, DOWELL
57	4	470058	PIN, ROLL
58	1	474030	PLATE, RETAINER
59	1	486068	SEAL, OIL
60	1	486076	THREAD SEAL
61	1	490025	RING, RETAINER
62	1	494010	SPRING
63	2	494022	SPRING, DISC
64	4	494069	SPRING
65	1	518016	THRUST WASHER
66	1	530007	DISC, BRAKE
67	2	530094	SPACER, BRAKE

Section VI - PARTS (cont'd)
REAR SPADE HYDRAULICS

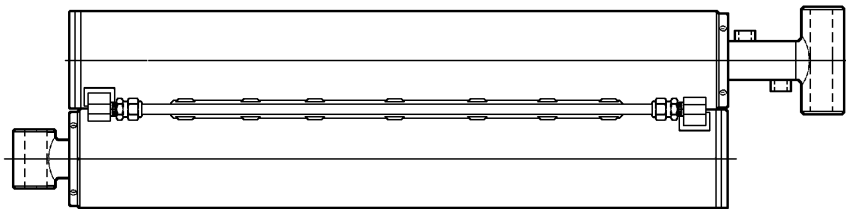
REF. NO.	NO. REQ'D	PART NUMBER	DESCRIPTION
1	REF.	0300010	CONTROL VALVE, VDP11DDD108
2	4	0300040	CONNECTOR, 8MJ-8MP
3	2	0301522	CONNECTOR, 6MJ-6MB
4	4	0301816	FITTING, 8FP-8FP45
5	2	0302510	ADAPTER, 6MJ-6MBL
6	4	0302980	NIPPLE, BLACK PIPE, 1/2" X 5"
7	4	0303017	CONNECTOR, 8MB-6FB
8	4	0303588	HOSE ASSEMBLY, 108"
9	2	0303688	SPADE CYLINDER

Section VI - PARTS (cont'd)
HYDRAULIC CYLINDERS - UNDERLIFT



UNDERLIFT LIFT CYLINDER

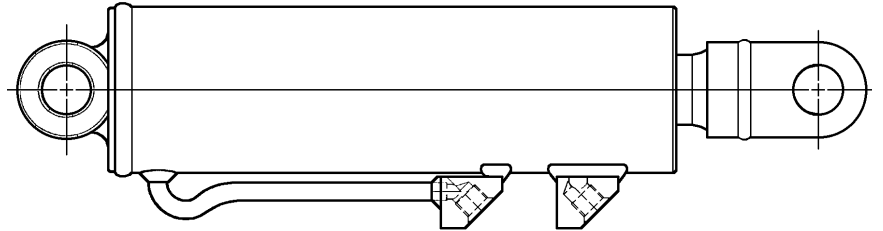
REF. NO.	NO. REQ'D.	PART NUMBER	DESCRIPTION
1	1	0302352	CYLINDER, LIFT (COMPLETE)
2	--	--	SEAL KIT, UNDERLIFT LIFT CYLINDER



UNDERLIFT EXTEND CYLINDER

REF. NO.	NO. REQ'D.	PART NUMBER	DESCRIPTION
1	1	0301811	CYLINDER, EXTEND (COMPLETE)
2	--	--	SEAL KIT, UNDERLIFT EXTEND CYLINDER

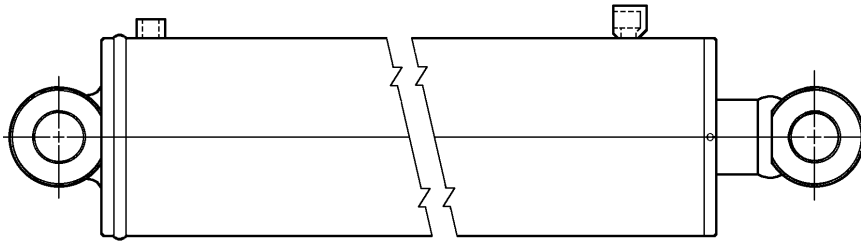
Section VI - PARTS (cont'd)
HYDRAULIC CYLINDERS - UNDERLIFT



UNDERLIFT FOLD CYLINDER

REF. NO.	NO. REQ'D.	PART NUMBER	DESCRIPTION
1	1	0303042	CYLINDER, FOLD (COMPLETE)
2	--	--	SEAL KIT, UNDERLIFT FOLD CYLINDER

Section VI - PARTS (cont'd)
HYDRAULIC CYLINDERS - WRECKER



BOOM LIFT CYLINDER

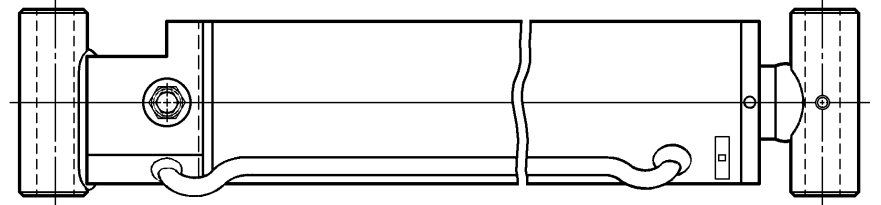
REF. NO.	NO. REQ'D.	PART NUMBER	DESCRIPTION
1	2	0302222	CYLINDER, BOOM LIFT (COMPLETE)
2	--	--	SEAL KIT, BOOM LIFT CYLINDER

BOOM EXTEND CYLINDER

REF. NO.	NO. REQ'D.	PART NUMBER	DESCRIPTION
1	1	0303356	CYLINDER, BOOM EXTEND (COMPLETE)
2	--	--	SEAL KIT, BOOM EXTEND CYLINDER

Section VI - PARTS (cont'd)

HYDRAULIC CYLINDER - REAR SPADE

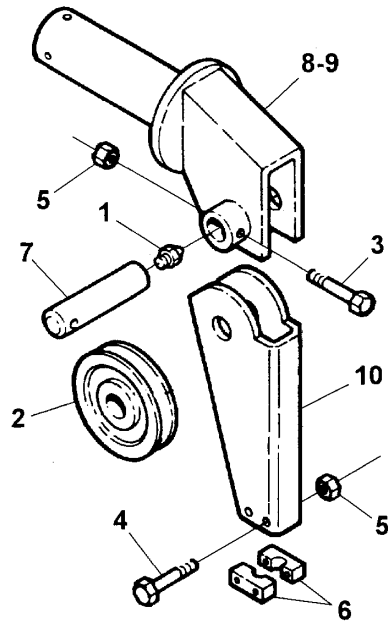


REAR SPADE CYLINDER

REF. NO.	NO. REQ'D.	PART NUMBER	DESCRIPTION
1	2	0303688	CYLINDER, REAR SPADE (COMPLETE)
2	--	--	SEAL KIT, REAR SPADE CYLINDER

Section VI - PARTS (cont'd)

BOOM SWIVEL ASSEMBLY



REF. NO.	NO. REQ'D	PART NUMBER	DESCRIPTION
—	1	0901673	BOOM SWIVEL ASSEMBLY, LEFT (COMPLETE)
—	1	0901674	BOOM SWIVEL ASSEMBLY, RIGHT (COMPLETE)
1	1	0300113	GREASE FITTING
2	1	0300311	SHEAVE, 10"
3	2	0400133	SCREW, 3/8"-16 X 3" HEX HD CAP
4	1	0400140	SCREW, 3/8"-16 X 4" HEX HD CAP
5	1	0400392	NUT, 3/8"-16 NYLOK HEX
6	3	0400392	CABLE GUIDE, BOTTOM
7	2	0700511	SHAFT, SHEAVE
8	1	0700563	CABLE GUIDE WELDMENT
9	1	0802027	SWIVEL WELDMENT, LEFT
10	1	0803577	SWIVEL WELDMENT, RIGHT
		0803578	

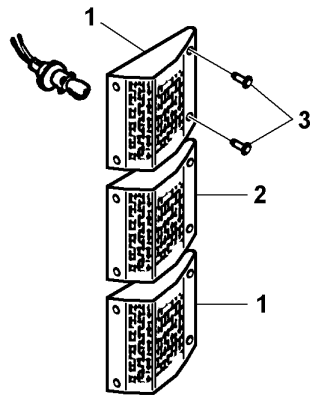
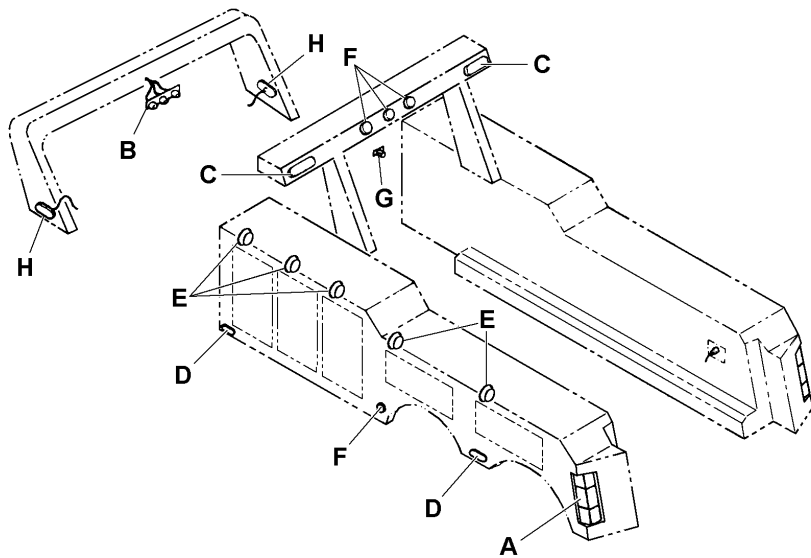
Section VI - PARTS (cont'd)

MODULAR WIRING KIT

REF. NO.	NO. REQ'D	PART NUMBER	DESCRIPTION
--	--	0902536	MODULAR WIRING KIT
10	15	0301503	# 10 RING CONNECTOR
11	2	0301800	JUNCTION BOX, 6-POSITION
12	1	0301812	HEAT SHRINK TUBE, 1/4"
13	1	0301888	RECTIFIER HARNESS, AUX & BACKUP LIGHT
14	15	0302433	CABLE TIE, 7"
15	1	0302853	WIRING HARNESS, LEFT
16	1	0302854	WIRING HARNESS, RIGHT
17	6	0302871	MALE TERMINAL
18	12	0302873	CABLE SEAL
19	1	0302874	CONNECTOR, 6-WAY MALE
20	1	0302875	CONNECTOR, 6-WAY FEMALE
21	1	0303226	CIRCUIT BREAKER, HI AMP WATERPROOF
22	6	0400367	NUT, 1/4"-20 NYLOK HEX
--	--	0903069	BACK UP ALARM KIT
23	2 FT.	0300077	WIRE, 16 GA., RED
24	6	0300153	CONNECTOR, WIRE
25	1	0301812	HEAT SHRINK TUBE, 1/4"
26	1	0303061	BACK UP ALARM
27	2	0400057	SCREW, 1/4"-20 X 1-1/4" HEX HD CAP
28	2	0400367	NUT, 1/4"-20 HEX NYLOK

Section VI - PARTS (cont'd)

LIGHT KIT

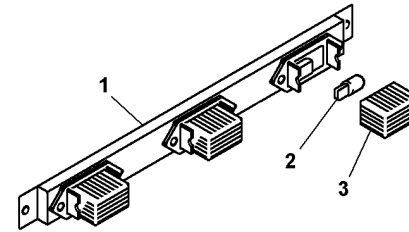


(A) STOP/TURN/BACKUP LIGHTS

REF. NO.	NO. REQ'D	PART NUMBER	DESCRIPTION
1	4	0302542	LIGHT, STOP & TURN (COMPLETE)
2	2	0302543	LIGHT, BACKUP (COMPLETE)
3	24	0400025	SCREW, # 8-32 X 3/4" RD HD SLOTTED

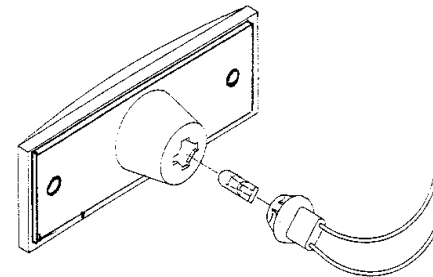
Section VI - PARTS (cont'd)

LIGHT KIT



(B) 3-LIGHT BAR

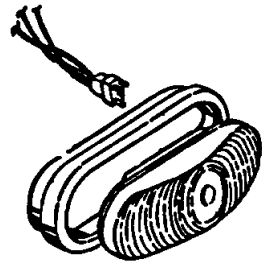
REF. NO.	PART NUMBER	DESCRIPTION
1	0300442	3-LIGHT BAR ASSEMBLY, COMPLETE
2	0300507	BULB, MARKER LIGHT
3	0300511	LENS, 3-LIGHT BAR



(C) STOP & TURN LIGHT

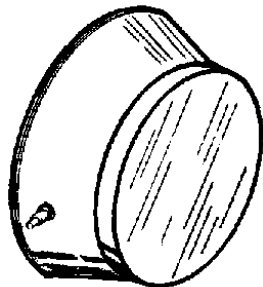
REF. NO.	PART NUMBER	DESCRIPTION
1	0301390	LIGHT, TURN (COMPLETE)
2	0304123	BEZEL MOUNTING SCREW
3	0304124	CHROME BEZEL
4	0304125	LENS & BULB ASSEMBLY
5	0304126	GROMMET & PLUG KIT

Section VI - PARTS (cont'd)
LIGHT KIT



(D) FLOOD LIGHT

REF. NO.	PART NUMBER	DESCRIPTION
1	0302201	LIGHT, FLOOD (COMPLETE)

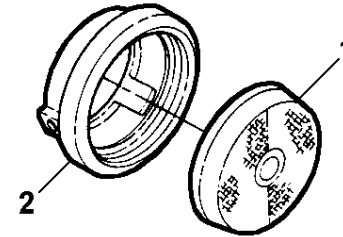


(E) DOME LIGHT

REF. NO.	PART NUMBER	DESCRIPTION
1	0302544	LIGHT, DOME (COMPLETE)

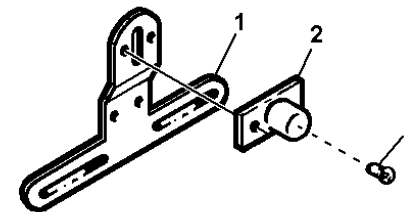
Section VI - PARTS (cont'd)

LIGHT KIT



(F) MARKER LIGHTS

REF. NO.	PART NUMBER	DESCRIPTION
1	0301740	GROMMET & PLUG, MARKER LIGHT
2	0301741 0301742	SEALED MARKER LIGHT, RED SEALED MARKER LIGHT, AMBER

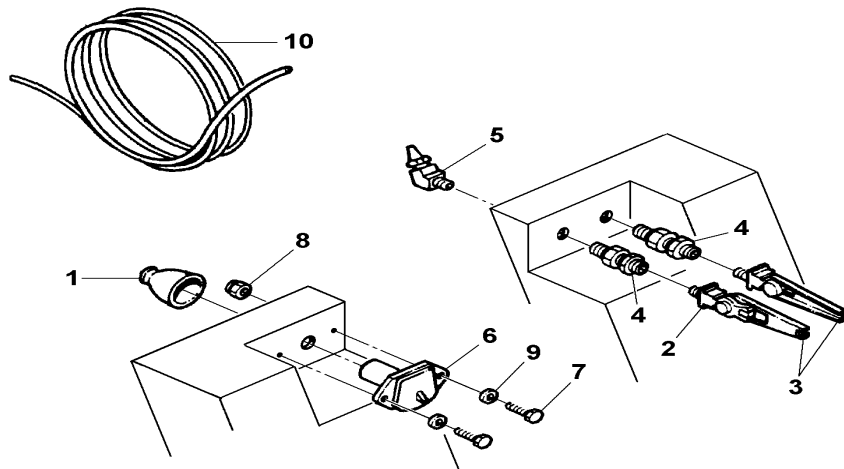


(G) LICENSE PLATE BRACKET & ILLUMINATOR

REF. NO.	PART NUMBER	DESCRIPTION
1	0300076	BRACKET, LICENSE PLATE
2	0300273	LICENSE PLATE ILLUMINATOR (COMPLETE)
3	0300512	BULB, LICENSE PLATE ILLUMINATOR

Section VI - PARTS (cont'd)

GLAD HAND ASSEMBLY



REF. NO.	NO. REQ'D	PART NUMBER	DESCRIPTION
1	1	0301862	CATERPILLER GROMMET
2	1	0301909	RECEPTACLE BOOT
3	2	0301944	GLAD HAND COUPLING
4	2	0301945	GLAD HAND PLUG
5	2	0301946	CONNECTOR
6	2	0301947	ADAPTER, 1/4" NPTM X 3/8" SYN. HOSE
7	1	0301948	HD 7-WAY TRAILER CONNECTOR
8	9	0400062	SCREW, 1/4"-20 X 3/4" HEX HD SELF-TAP.
9	2	0400070	SCREW, 1/4"-20 X 1" HEX HEAD CAP
10	2	0400367	NUT, 1/4"-20 NYLOK HEX
11	4	0400451	FLATWASHER, 1/4"
12	2	0400463	FLATWASHER, 5/16"
13	2	0703795	HOSE, 3/8" X 4" SYNTHETIC
14	1	0703797	LID, GLAD HAND HOUSING
15	1	0801099	GLAD HAND HOUSING

CENTURY®

A Division of Miller Industries Towing Equipment Inc.

8503 Hilltop Drive • Ooltewah, Tennessee 37363 • (615) 238-4171

Mailing Address: P.O. Box 120 • Ooltewah, Tennessee 37363 • Telex: 856967 CENWKRTN UD