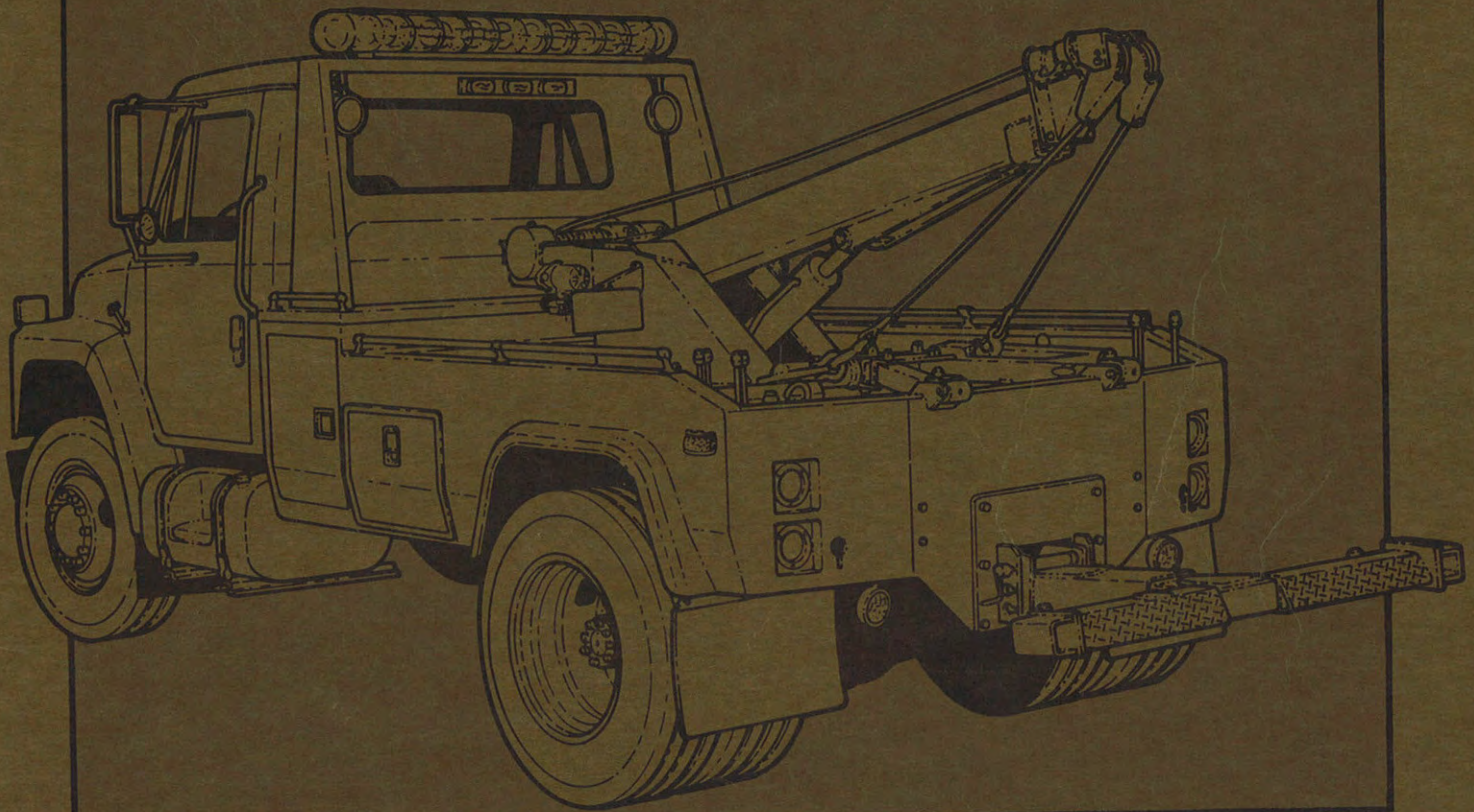


CENTURY®



OWNER'S MANUAL SERIAL NO. F2-0192-G86 AND ABOVE

FORMULA II

**CENTURY®
WRECKER
CORPORATION**

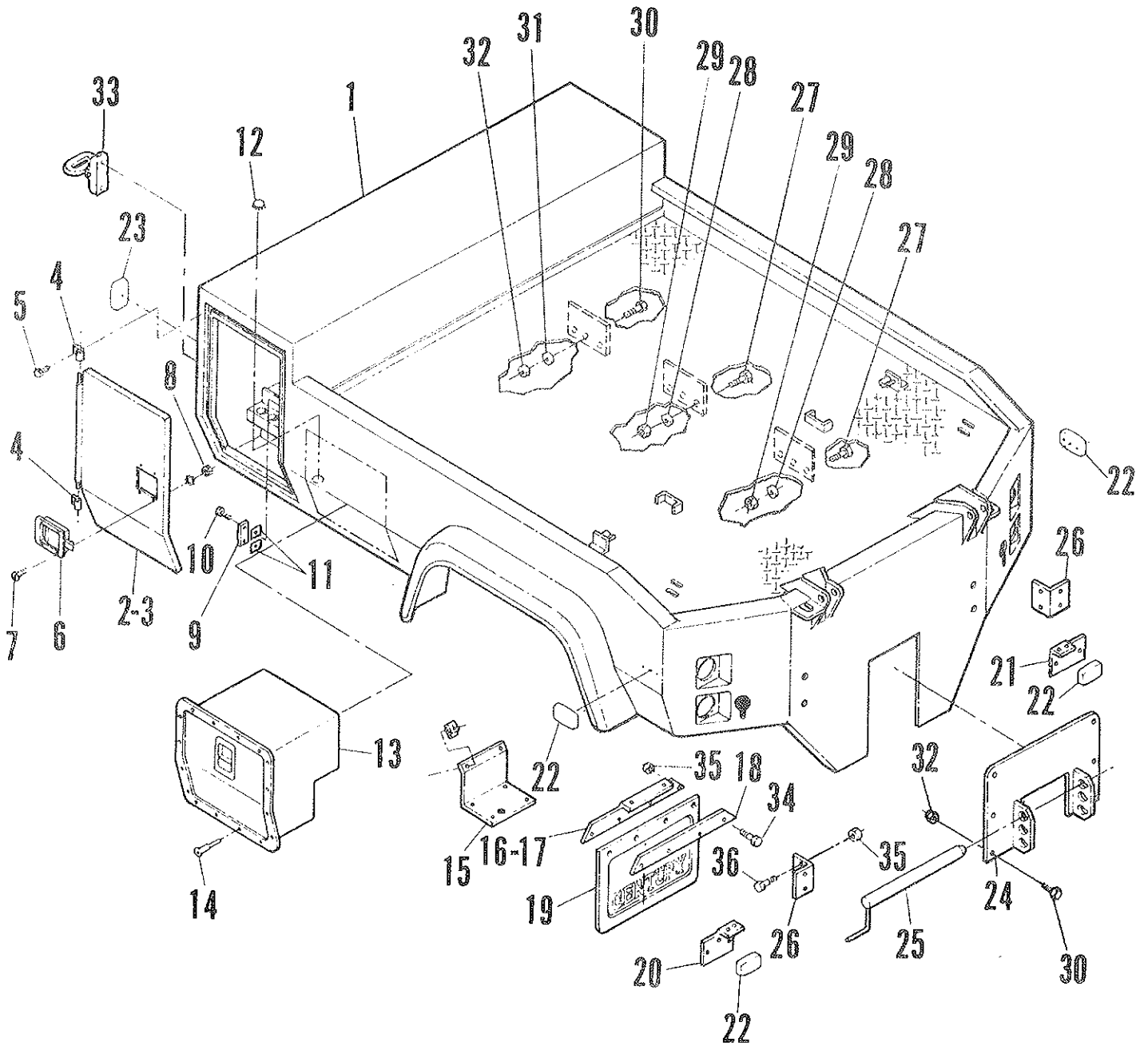
**Installation, Operation,
Maintenance & Parts**

I-75 at Ooltewah Exit #11 • 8503 Hilltop Drive • Ooltewah, Tennessee 37363 • (615) 238-4171
Mailing Address: P.O. Box 120 • Ooltewah, Tennessee 37363 • Telex: 856967 CENWKRTN UD
FORM NO. 0500322-F87
PRICE \$15.00

Section VI

PARTS

Section VI - PARTS FORMULA II, 500 SERIES BODY

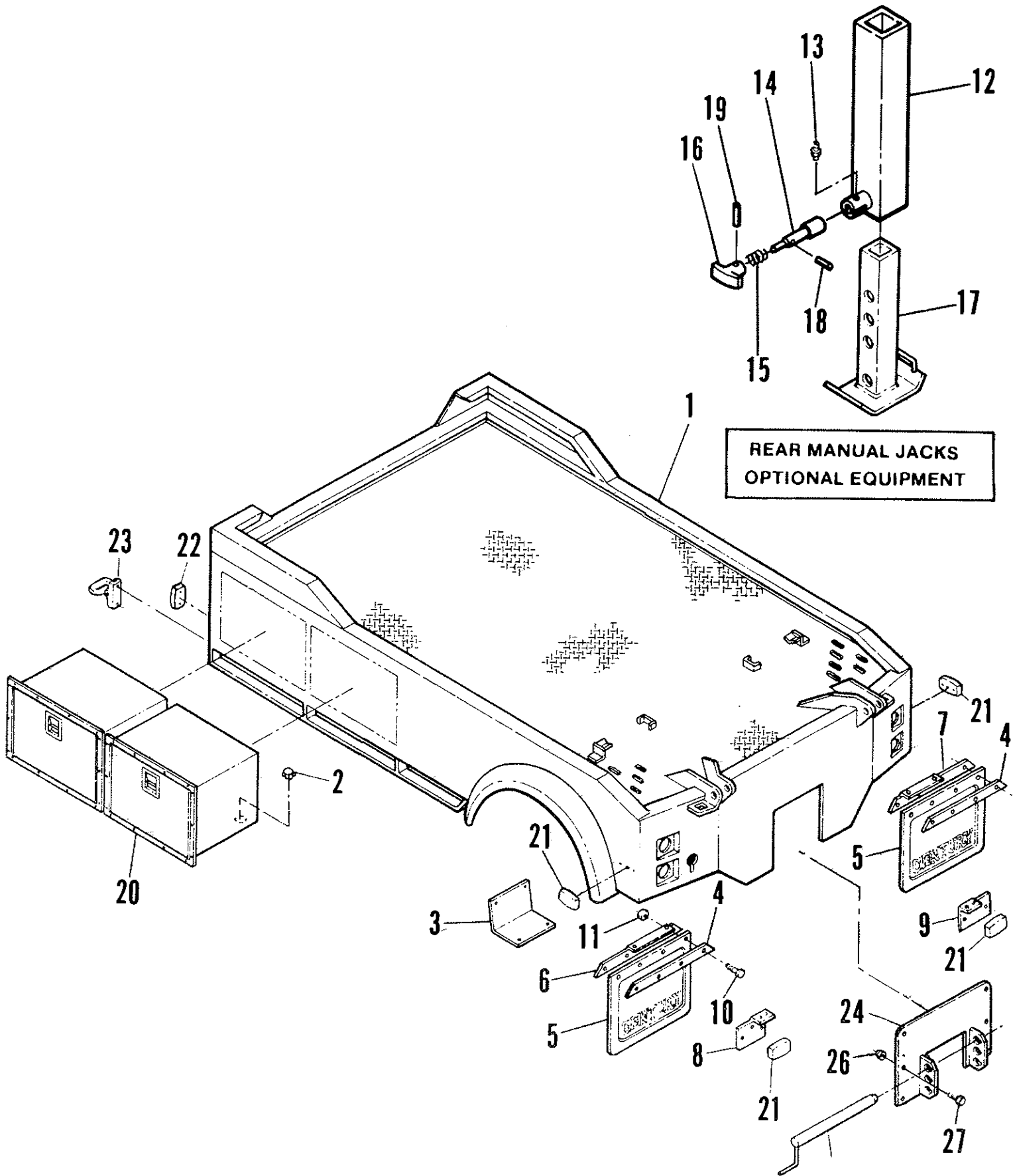


Section VI - PARTS

FORMULA II, 500 SERIES BODY

REF. NO.	NO. REQ'D.	PART NUMBER	DESCRIPTION
1	1	0800972	BODY WELDMENT, FORMULA II - 500 SERIES
2	1	08000886	DOOR, LEFT
3	1	0800887	DOOR, RIGHT
4	4	0301549	HINGE, DOOR
5	8	0400062	SCREW, 1/4" - 20 X 3/4" LG. SELF TAPPING
6	2	0300027	LATCH, DOOR
7	12	0400021	SCREW, #8 - 32 X 1/2" LG. SLOT HD.
8	12	0400351	NUT, #8 - 32 W/LOCKWASHER
9	3	0300028	STRIKER, DOOR
10	6	0400045	SCREW, #10 - 32 X 1/2" LG. SLOT HD.
11	3	0701674	SPACER, STRIKER
12	3	0300032	HOLE PLUG, 1" DIA.
13	1	0800641	10" OFFSET TOOL BOX (L.H. STD./R.H. OPT.)
14	16	0400567	RIVET, POP
15	2	0800803	BRACKET, MUD FLAP MTG.
16	1	0702564	ANGLE MUD FLAP MTG. L.H.
17	1	0702565	ANGLE, MUD FLAP MTG. R.H.
18	2	0702593	BAR, MUD GUARD MTG.
19	2	0301223	MUD FLAP
20	1	0700159	BRACKET, REAR CLEARANCE LIGHT, L.H.
21	1	0700160	BRACKET, REAR CLEARANCE LIGHT, R.H.
22	4	0300427	MARKER LIGHT, RED
23	2	0300428	MARKER LIGHT, AMBER
24	1	0800986	BRACKET, SAFETY LUG
25	1	0900725	SAFETY PIN ASS'Y
26	2	0702708	ANGLE, TAILGATE MOUNTING
27	22	0400252	SCREW, 5/8" - 11 X 1-1/2" LG. HEX. HD. CAP
28	22	0400505	FLATWASHER, 5/8"
29	22	0400421	NUT, 5/8" - 11 NYLON LOCK
30	12	0400181	SCREW, 1/2" - 13 X 1-1/2" LG. HEX. HD. CAP
31	6	0400492	FLATWASHER, 1/2"
32	12	0400408	NUT, 1/2" - 13 NYLON LOCK
33	2	0300097	STEP, CHROME BOARDING
34	8	0400122	SCREW, 3/8" - 16 X 1-1/4" HEX. HD.
35	12	0400392	NUT, 3/8" - 16 NYLON LOCK
36	4	0400141	SCREW, 3/8" - 16 X 7/8" HEX. HD.

Section VI - PARTS FORMULA II/820 EXPRESS BODY

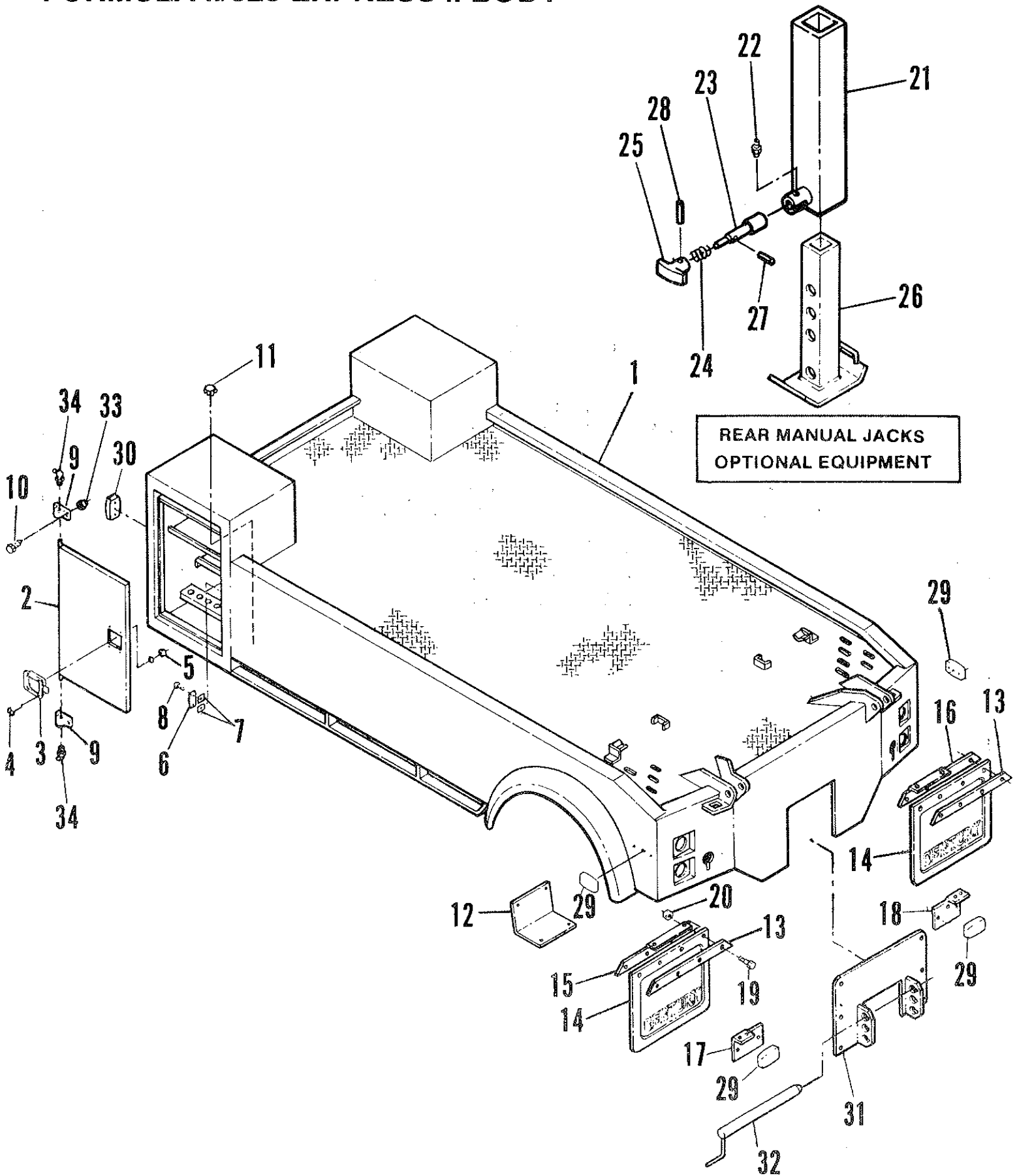


Section VI - PARTS

FORMULA II, 820 EXPRESS BODY

REF. NO.	NO. REQ'D.	PART NUMBER	DESCRIPTION
1	1	0800985	BODY WELDMENT, F II 820, EXPRESS
2	4	0300032	PLUG, 1" DIA. HOLE
3	2	0701644	BRKT., MUD FLAP MTG. (OPTIONAL)
4	2	0700554	BAR, MUD FLAP MTG. (OPTIONAL)
5	2	0301223	MUD FLAP (OPTIONAL)
6	1	0701570	ANGLE, MUD FLAP MTG., L.H. (OPTIONAL)
7	1	0701571	ANGLE, MUD FLAP MTG., R.H. (OPTIONAL)
8	1	0700159	BRACKET, REAR CLEARANCE LIGHT, L.H.
9	1	0700160	BRACKET, REAR CLEARANCE LIGHT, R.H.
10	6	0400122	SCREW, 3/8" - 16 X 1-1/4" LG. (OPTIONAL)
11	20	0400392	NUT, 3/8 - 16 NYLON LOCK (OPTIONAL)
12	2	0800507	OUTER JACK WELDMENT (OPTIONAL)
13	2	0300113	GREASE FITTING (OPTIONAL)
14	2	0700526	PIN, PLUNGER (OPTIONAL)
15	2	0300004	SPRING PLUNGER (OPTIONAL)
16	2	0300331	HANDLE, TEE (OPTIONAL)
17	2	0800504	INNER JACK WELDMENT (OPTIONAL)
18	2	0400563	ROLL PIN, 3/6" X 1-3/4" LG. PL. (OPTIONAL)
19	2	0400561	ROLL PIN, 3/32" X 3/4" LG. PL. (OPTIONAL)
20	1-4	1201064	TOOL BOX, COMPLETE (OPTIONAL)
21	4	0300427	MARKER LIGHT, RED
22	2	0300428	MARKER LIGHT, AMBER
23	2	0300097	STEP, CHROME BOARDING
24	1	0800986	BRACKET, SAFETY LUG
25	1	0900725	SAFETY PIN ASS'Y
26	6	0400408	LOCKNUT, 1/2 - 13 HEX
27	6	0400181	SCREW, 1/2 - 13 X 1-1/2 HEX

Section VI - PARTS FORMULA II/820 EXPRESS II BODY

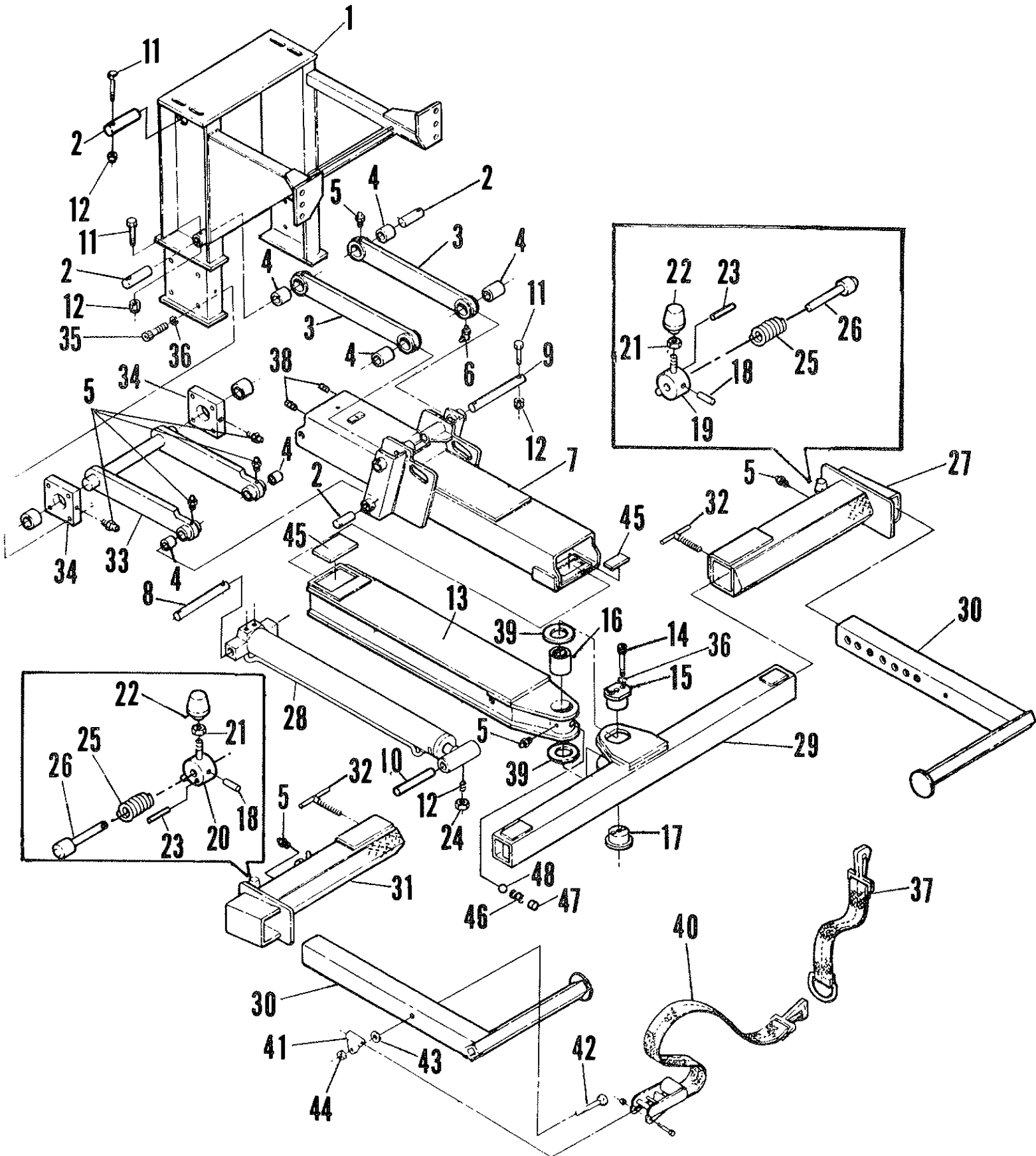


Section VI - PARTS

FORMULA II, 820 EXPRESS II BODY

REF. NO.	NO. REQ'D.	PART NUMBER	DESCRIPTION
1	1	0800989	BODY WELDMENT, F II 820, EXP. II
2	2	0800385	DOOR WELDMENT
3	2	0300027	LATCH, TOOL COMPT.
4	8	0400021	SCREW, #8 - 32 X 1/2" LG. RD. HD. DOOR LATCH
5	8	0400351	NUT, #8- 32 KEPS DOOR LATCH
6	2	0300028	STRIKER, LATCH
7	4	0701675	SPACER, STRIKER
8	4	0400045	SCREW, #10 - 32 X 1/2" LG. PAN HD. LATCH STRIKER
9	4	0700963	PIVOT BLOCK, DOOR HINGE
10	8	0400072	SCREW, 1/4" - 20 X 1: LG. RD. HD. PHILLIPS
11	2	0300032	PLUG, 1" DIA. HOLE
12	2	0701644	BRKT., MUD FLAP MTG. (OPTIONAL)
13	2	0700554	BAR, MUD FLAP MTG. (OPTIONAL)
14	2	0301223	MUD FLAP (OPTIONAL)
15	1	0701570	ANGLE, MUD FLAP MTG., L.H. (OPTIONAL)
16	1	0701571	ANGLE, MUD FLAP MTG., R.H. (OPTIONAL)
17	1	0700159	BRACKET, REAR CLEARANCE LIGHT, L.H.
18	1	0700160	BRACKET, REAR CLEARANCE LIGHT, R.H.
19	6	0400122	SCREW, 3/8" - 16 X 1-1/14" LG. (OPTIONAL)
20	20	0400392	NUT, 3/8" - 16 NYLON LOCK (OPTIONAL)
21	2	0800507	OUTER JACK WELDMENT (OPTIONAL)
22	2	0300113	GREASE FITTING (OPTIONAL)
23	2	0700526	PIN, PLUNGER (OPTIONAL)
24	2	0300004	SPRING, PLUNGER (OPTIONAL)
25	2	0300331	HANDLE, TEE (OPTIONAL)
26	2	0800504	INNER JACK WELDMENT (OPTIONAL)
27	2	0400563	ROLL PIN, 3/16" X 1-3/4" LG. PL. (OPTIONAL)
28	2	0400561	ROLL PIN, 5/32: X 3/4" LG. PL (OPTIONAL)
29	4	0300427	MARKER LIGHT, RED
30	2	0300428	MARKER LIGHT, AMBER
31	1	0800986	BRACKET, SAFETY LUG
32	1	0900725	SAFETY PIN AS'Y
33	8	0400367	NUT, 1/4" - 20 NYLON LOCK
34	4	0301397	GREASE FITTING, 90°

Section VI - PARTS FORMULA II WHEEL LIFT ASSEMBLY

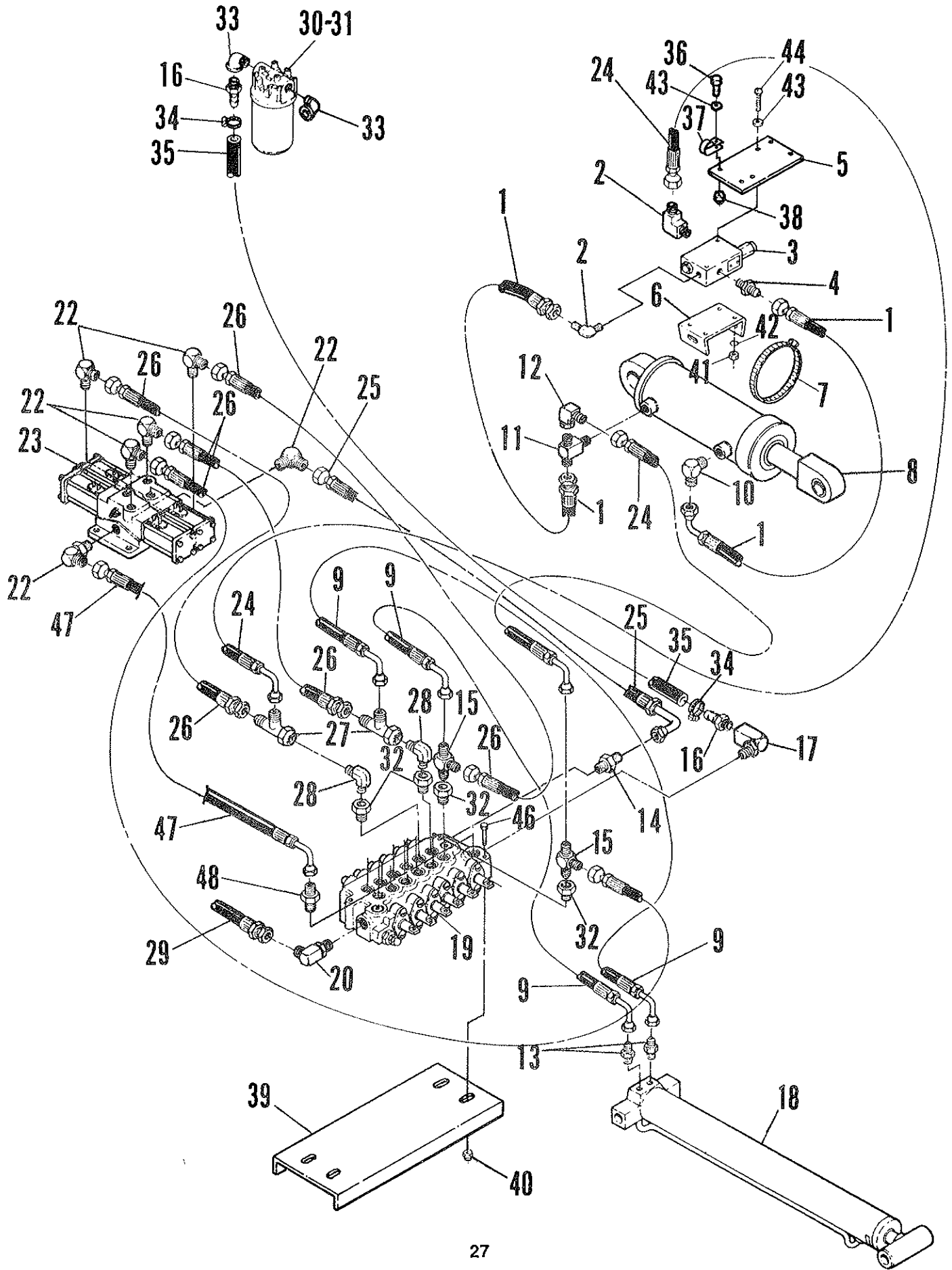


Section VI - PARTS

FORMULA II WHEEL LIFT ASSEMBLY

REF. NO.	NO. REQ'D.	PART NUMBER	DESCRIPTION
1	1	0800895	FRAME WELDMENT
2	5	0702138	PIN, UPPER CONTROL ARM
3	2	0800840	CONTROL ARM, UPPER
4	6	0301583	BUSHING
5	9	0300113	GREASE FITTING (STR.)
6	2	0301397	GREASE FITTING (90°)
7	.1	0801027	OUTER BOOM
8	2	0702679	PIN, EXTEND CYLINDER
9	1	0702678	PIN, LIFT CYLINDER
10	1	0702131	INNER TUBE CYL. SHAFT
11	7	0400150	SCREW, 3/8" - 16 x 2 1/2" LG. HEX. HD. CAP GR. 5 PL
12	7	0400392	NUT, 3/8" - 16 NYLON LOCK
13	1	0801089	INNER BOOM
14	2	0400203	SOCKET HEAD CAPSCREW
15	1	0702677	CROSSBAR PIN - TOP
16	1	0301930	BUSHING
17	1	0702676	CROSSBAR PIN - BOTTOM
18	2	0400560	ROLL PIN
19	1	0800838	RIGHT PLUNGER HANDLE
20	1	0800837	LEFT PLUNGER HANDLE
21	2	0400393	JAM NUT
22	2	0300341	KNOB
23	2	0400559	ROLL PIN
24	1	0400139	3/8" - 16 NC x 1 1/2" LG. SOCKET HD. SET SCREW
25	2	0301417	PLUNGER SPRING
26	2	0701916	PLUNGER
27	1	0800902	CROSSTUBE, R.H. - OUTER
28	1	0301825	EXTEND CYLINDER, FORMULA II
29	1	0800845	CROSSBAR
30	2	0800841	TIRE RESTRAINT
31	1	0800903	CROSSTUBE, L.H. - OUTER
32	2	0800590	"T" HANDLE
33	1	0800626	LOWER CONTROL ARM
34	2	0900506	BEARING BLOCK ASSEMBLY
35	8	0400192	SOCKET HEAD CAPSCREW
36	10	0400491	LOCKWASHER, 1/2"
37	2	0301681	BELT EXTENSION
38	2	0400120	3/8"-16 NC x 1/2" LG. SOCKET HD. SET SCREW
39	2	0703747	THRUST WASHER
40	2	0301682	RATCHET ASS'Y
41	2	0800839	PIVOT BRACKET
42	2	0400269	CARRIAGE BOLT
43	2	0400505	5/8" FLATWASHER
44	2	0400421	5/8" LOCKNUT
45	2	0301582	SLIDE PAD
46	1	0301197	COMPRESSION SPRING
47	1	0702681	DETENT BALL SPACER
48	1	0301398	DETENT BALL

Section - PARTS FORMULA II, 500 SERIES HYDRAULICS

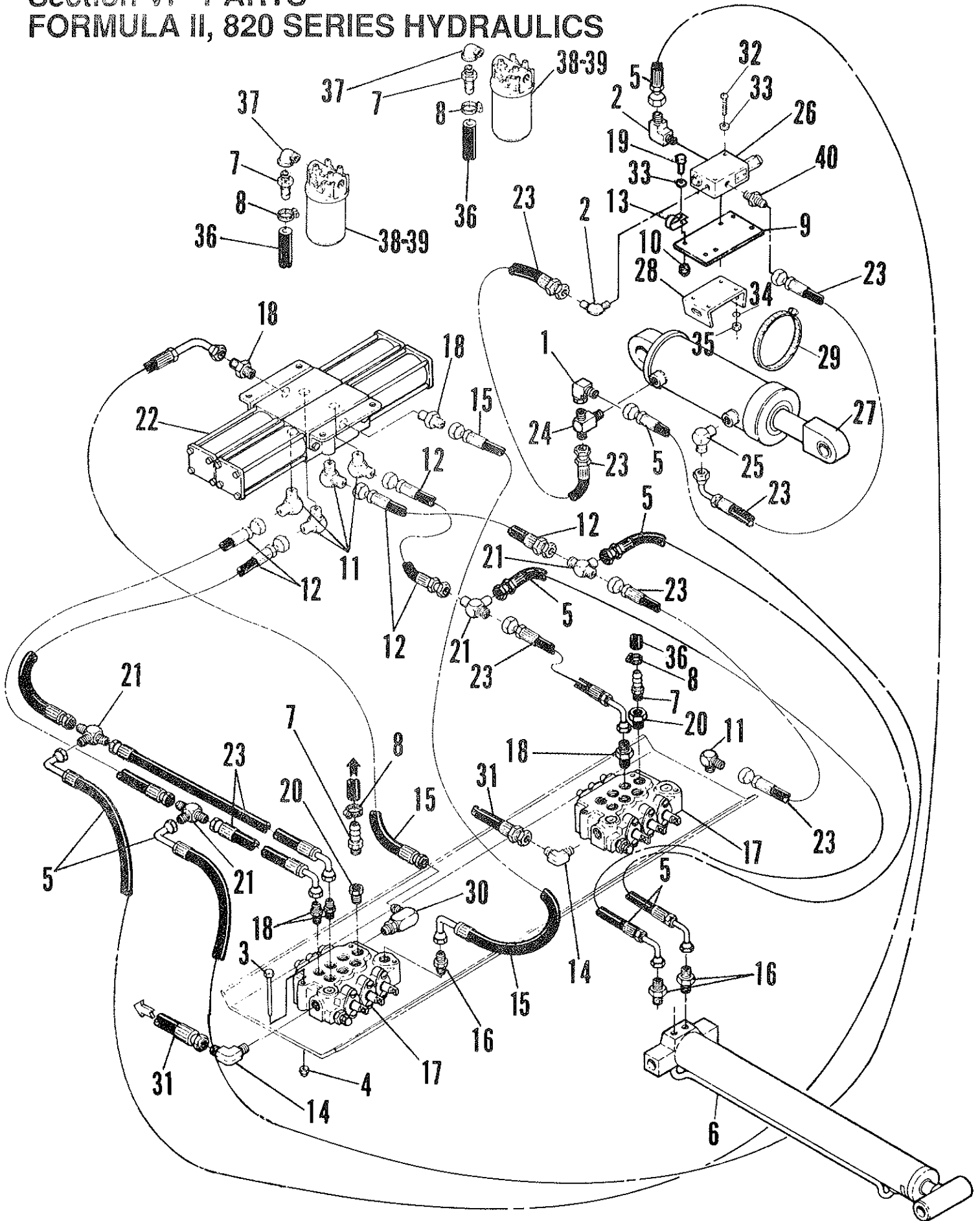


Section VI - PARTS

FORMULA II, 500 SERIES HYDRAULICS

REF. NO.	NO. REQ'D.	PART NUMBER	DESCRIPTION
1	2	0301412	HOSE, LIFT CYLINDER
2	2	0300209	ELBOW 90°
3	1	0301731	HOLDING VALVE
4	1	0301425	CONNECTOR
5	1	0703002	EXT. CYL. HOSE MTG. BRACKET
6	1	0703001	BRACKET, CHECK VALVE MOUNTING
7	1	0300133	CLAMP, MOUNTING BRACKET
8	1	0301624	CYLINDER, FORMULA II LIFT
9	2	0301695	HOSE, EXTEND CYLINDER
10	1	0301620	ELBOW, 90° "O"- RING
11	1	0301619	TEE
12	1	0301696	ELBOW, 90° MALE/FEMALE
13	2	0301522	CONNECTOR
14	1	0301376	CONNECTOR, HI-PRESSURE
15	2	0301782	MALE RUN TEE
16	1	0300055	HOSE BARB, 3/4 HOSE - 3/4 NPT
17	1	0301792	ELBOW, 3/4 SAE MALE X 3/4 NPT FEM 90°
18	1	0301825	CYLINDER, FORMULA II EXTEND
19	1	0301762	6 SPOOL VALVE
20	1	0301547	ELBOW, 3/4 SAE MALE X 1/2 JIC MALE 90°
21	1	0300659	HOSE ASS'Y
22	6	0301388	ELBOW, 90° "O" - RING
23	1	0301379	SOLENOID VALVE
24	2	0301666	HOSE ASS'Y, LIFT CYLINDER
25	1	0301791	HOSE ASS'Y, 90°
26	4	0301789	HOSE ASS'Y
27	2	0301781	TEE, MALE/FEMALE
28	2	0300142	ELBOW, 90°
29	1	0300212	HOSE ASS'Y, HI PRESSURE IN
30	1	0300136	OIL FILTER ASS'Y
31	1	0300135	FILTER REPLACEMENT CARTRIDGE
32	4	0301777	ST. THREAD ADAPTOR
33	2	0300288	STREET ELBOW, 3/4 NPT
34	2	0300071	HOSE CLAMP, 1"
35	1	0300057	RETURN HOSE
36	4	0400066	SCREW, 1/4 - 20 X 3/4 HEX. HD.
37	4	0301601	CLAMP
38	4	0400367	1/4 - 20 HEX. LOCK NUT
39	1	0703140	VALVE MTG. CHANNEL
40	3	0400392	3/8 - 16 LOCK NUT HEX
41	2	0400366	NUT, 1/4 - 20 HEX
42	2	0400452	LOCKWASHER, 1/4
43	6	0400451	FLAT WASHER 1/4
44	2	0400064	SCREW, 1/4 - 20 X 2-1/4 ROUND HD.
45	1	0301763	H.P.C.O.
46	3	0400140	SCREW, 3/8 - 16 X 4" HEX HD.
47	1	0301790	HOSE ASS'Y
48	1	0301780	CONNECTOR

Section VI - PARTS
 FORMULA II, 820 SERIES HYDRAULICS

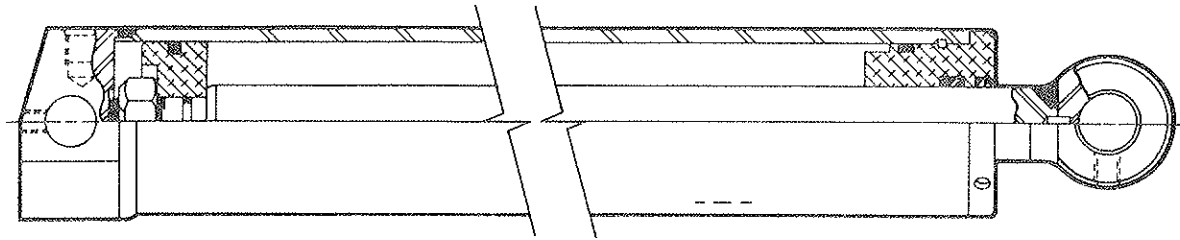


Section VI - PARTS

FORMULA II, 820 SERIES HYDRAULICS

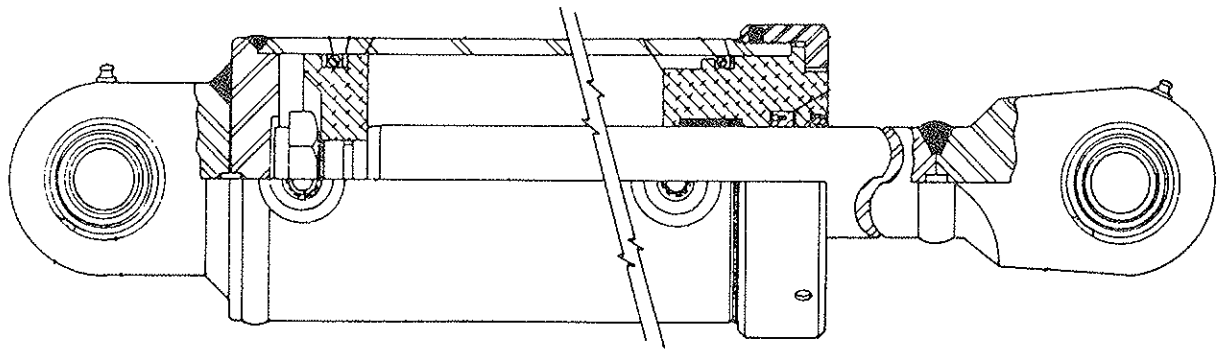
REF. NO.	NO. REQ'D.	PART NUMBER	DESCRIPTION
1	2	0301696	ELBOW, 90° MALE/FEMALE
2	2	0300209	ELBOW, 90°
3	6	0400125	SCREW, 3/8 - 16 X 3-3/4" HEX. HD.
4	6	0400392	LOCKNUT, 3/8 - 16 HEX
5	4	0301731	HOSE ASS'Y, 90°
6	1	0301825	CYLINDER, FORMULA II EXTEND
7	4	0300055	HOSE BARB, 3/4 HOSE - 3/4 NPT
8	4	0300071	HOSE CLAMP, 1"
9	1	0703002	EXT. CYL. HOSE MTG. BRACKET
10	4	0400367	LOCKNUT, 1/4 - 20 HEX
11	5	0301470	90° ELBOW, 3/8 JIC - 1/2 SAE O-RING
12	4	0301427	HOSE ASS'Y
13	4	0301601	CLAMP
14	2	0300052	ELBOW, 5/8 SAE MALE X 1/2 JIC MALE 90°
15	2	0301471	HOSE ASS'Y
16	1	0301522	CONNECTOR
17	2	0300010	3-SPOOL VALVE
18	5	0300044	CONNECTOR
19	4	0400066	SCREW, 1/4 - 20 X 3/4 HEX. HD.
20	2	0300065	CONNECTOR SAE O-RING TO NPT
21	4	0301377	TEE
22	1	0301379	SOLENOID VALVE
23	6	0301412	HOSE, LIFT CYLINDER (90°)
24	1	0301619	TEE
25	1	0301620	ELBOW, 90°
26	1	0301731	HOLDING VALVE
27	1	1301624	CYLINDER, FORMULA II LIFT
28	1	0703001	BRACKET, CHECK VALVE MOUNTING
29	1	0300133	CLAMP, MOUNTING BRACKET
30	2	0300218	ELBOW, 90°
31	2	0300165	HOSE -HI PRESSURE IN
32	2	0400064	SCREW, 1/4 - 20 X 2-1/4 ROUND HD.
33	6	0400451	1/4" FLAT WASHER
34	2	0400452	1/4" LOCKWASHER
35	2	0400366	NUT, 1/4 - 20 HEX
36	2	0701153	RETURN HOSE
37	2	0300288	STREET ELBOW, 90°
38	—	0300135	FILTER REPLACEMENT
39	2	0300136	OIL FILTER ASS'Y
40	1	0301425	CONNECTOR

Section VI - PARTS
FORMULA II HYDRAULIC CYLINDERS



EXTEND CYLINDER

1	1	0301825	EXTEND CYLINDER, COMPLETE
2	1	0304086	SEAL KIT, EXTEND CYLINDER

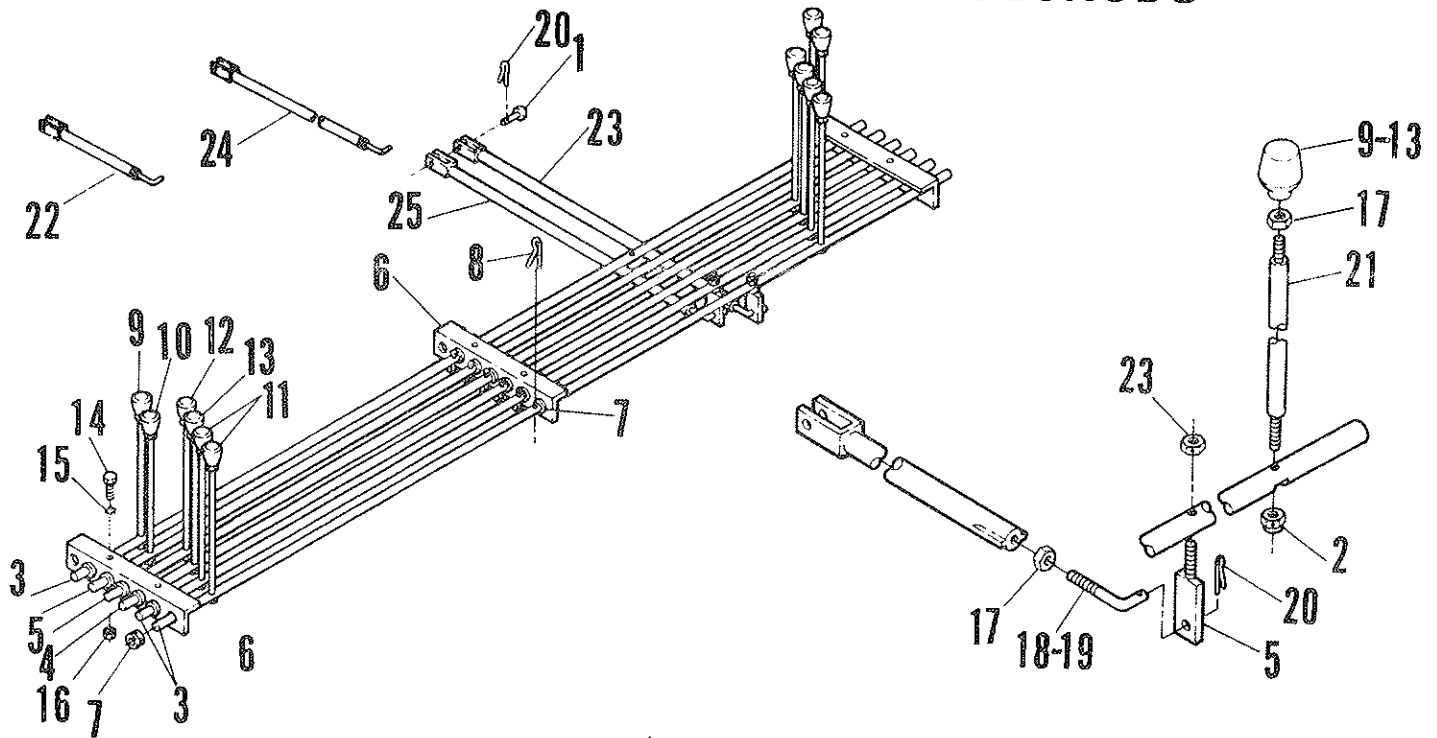


LIFT CYLINDER

1	1	0301624	LIFT CYLINDER, COMPLETE
2	1	0304221	SEAL KIT, LIFT CYLINDER

Section VI - PARTS

FORMULA II, 500 SERIES CONTROL & CROSSRODS

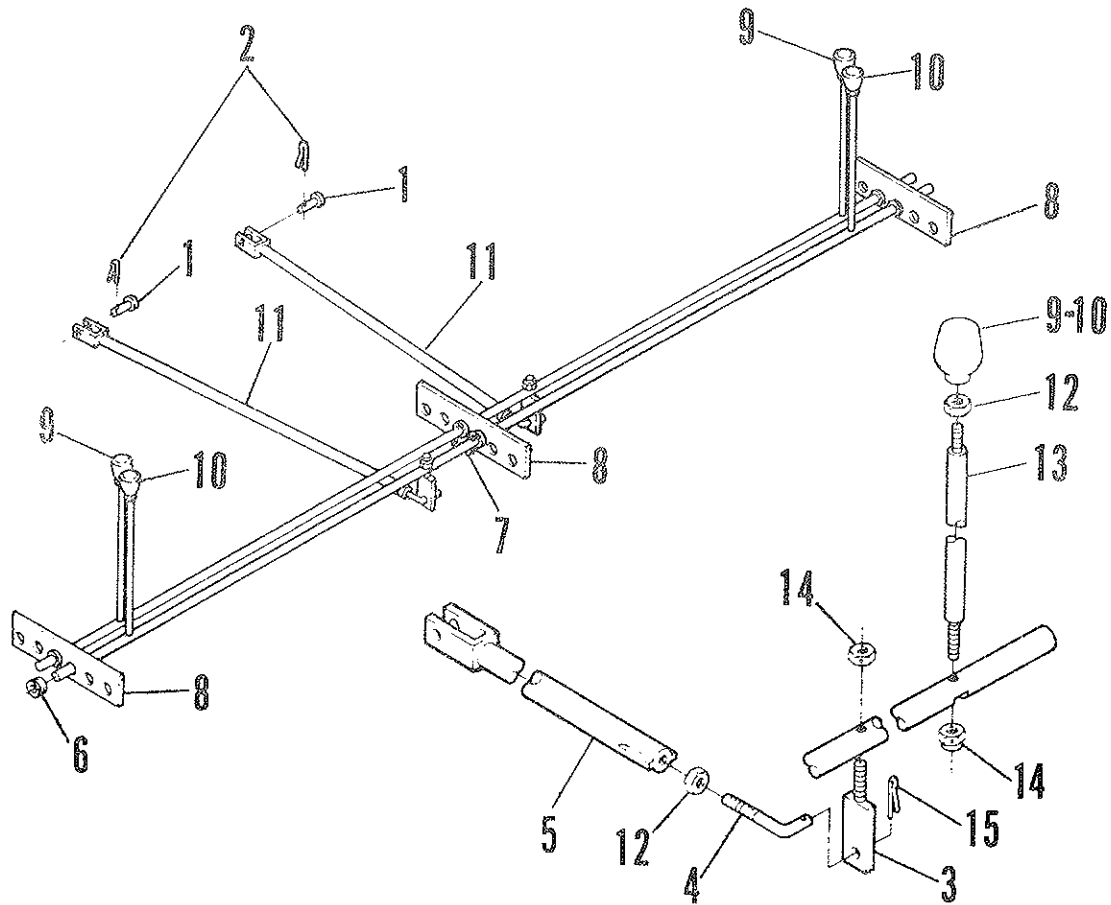


REF. NO.	NO. REQ'D.	PART NUMBER	DESCRIPTION
1	—	0400532	CLEVIS PIN, 5/16" X 1"
2	—	0400390	NUT, 3/8" - 16 JAM ESLOK
3	4	0701930	CROSSROD - WRECKER
4	2	0703134	CROSSROD -W/L
5	—	0800604	ARM, CROSS CONTROL
6	3	0701925	ANGLE, CROSS CONTROL
7	—	0300122	GROMMET, SPLIT PLASTIC
8	—	0400539	COTTER PIN, 3/16" X
9	2	0300837	KNOB, WRECKER BOOM "IN-OUT" (BLACK)
10	2	0300835	KNOB, WRECKER BOOM "UP-DN" (BLACK)
11	2	0300834	KNOB, CABLE "IN-OUT" (RED)
12	2	0301428	KNOB, W/L "UP-DN" (GREY)
13	2	0301429	KNOB, W/L "IN-OUT" (GREY)
14	6	0400126	SCREW, 3/8" - 16 X 1" HEX. HEAD
15	6	0400481	LOCKWASHER, 3/5" EXTERNAL TOOTH
16	6	0400392	NUT, 3/8" - 16 NYLON LOCK
17	—	0400393	NUT, 3/8" - 16 JAM
18	—	0701099	EXTENSION, CONTROL ROD LONG
19	—	0701927	EXTENSION, CONTROL ROD SHORT
20	—	0400543	COTTER PIN, 1/8" X 3/4"
21	—	0701929	LEVER, CONTROL
22	—	0800612	CONTROL ROD SHORT
23	—	0800613	CONTROL ROD LONG
24	—	0800955	CONTROL ROD MEDIUM

Section VI - PARTS

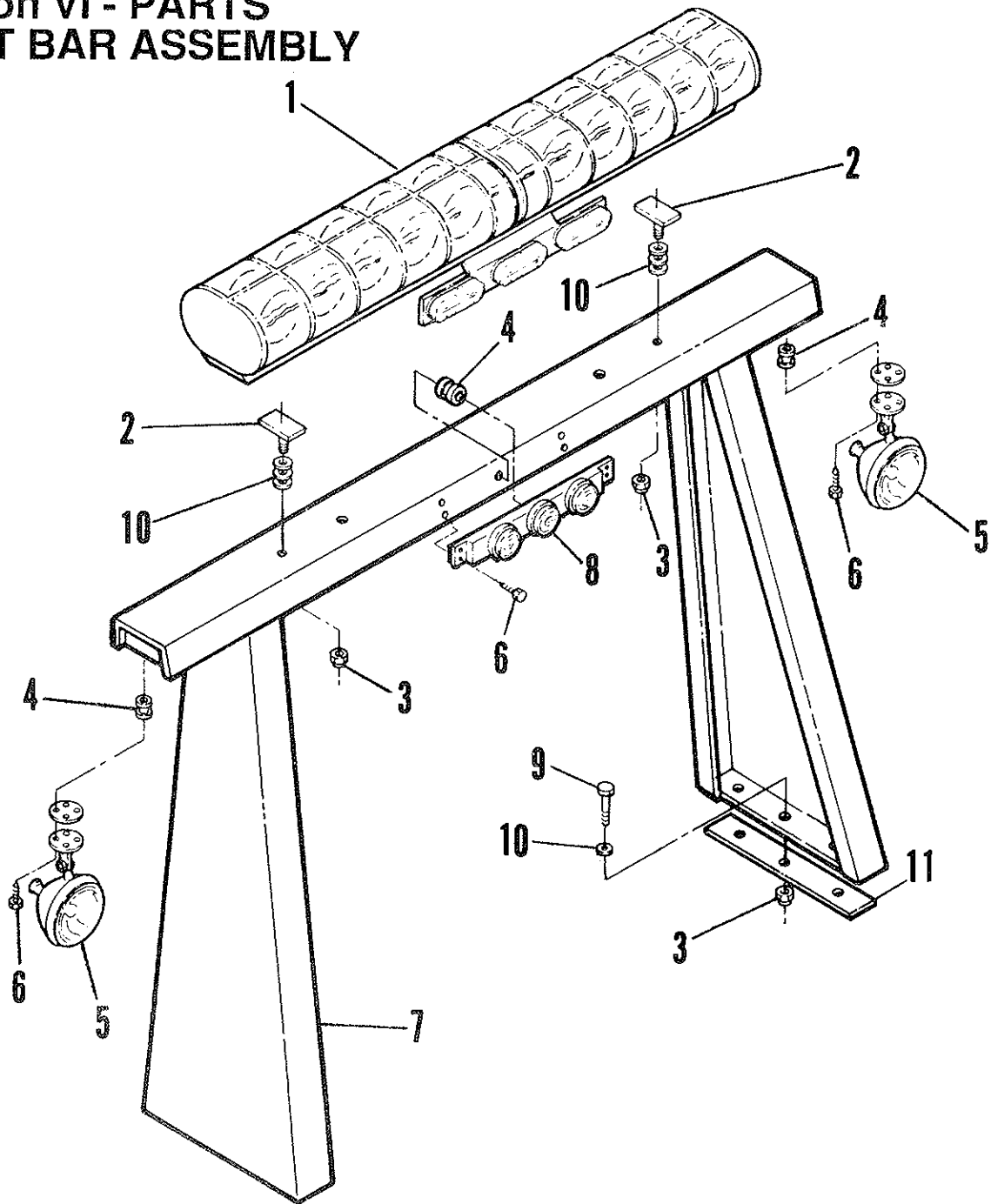
CONTROL & CROSSROD ASSEMBLY

FORMULA II/820 EXP II & 820 EXPRESS



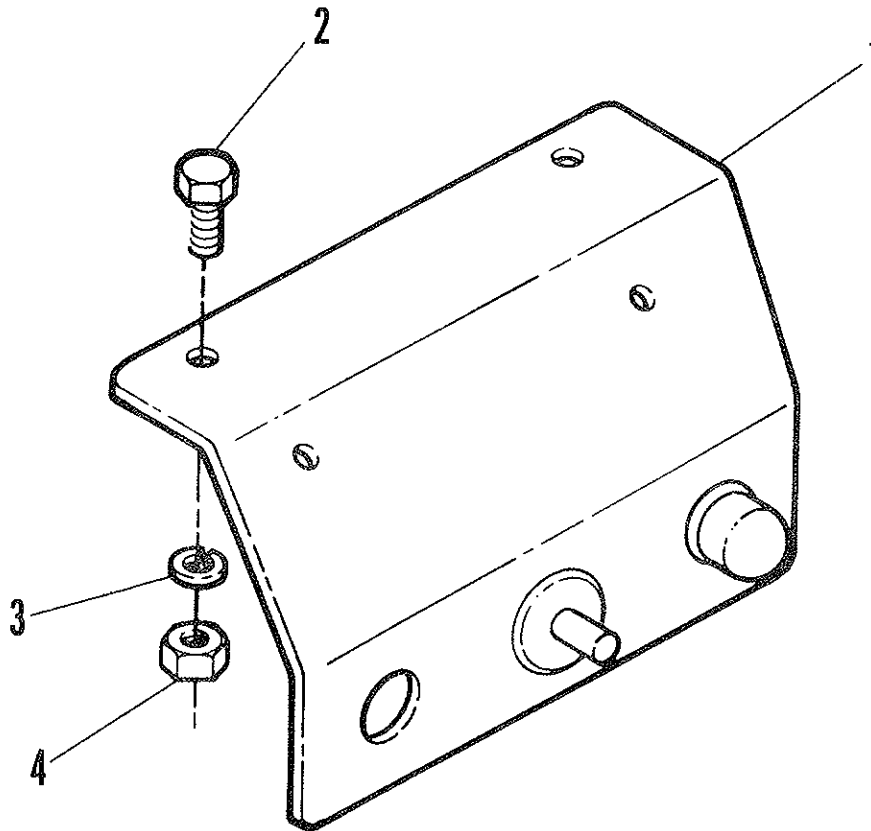
REF. NO.	NO. REQ'D	PART NUMBER	DESCRIPTION
1	2	0400532	CLEVIS PIN, 5/16" X 1"
2	2	0400541	COTTER PIN, 1/16" X 3/4"
3	4	0800604	ARM, CROSS CONTROL
4	2	0701099	EXTENSION, CONTROL ROD LONG
5	2	0800984	ROD WELDMNT
6	6	0300122	GROMMET, SPLIT PLASTIC
7	2	0400542	COTTER PIN, 3/16" X 1-1/4" LG.
8	3	0703185	BAR, CROSS CONTROL (WELDED IN BODY)
9	2	0301429	KNOB, W/L "IN-OUT" (GREY)
10	2	0301428	KNOB, W/L "UP-DN" (GREY)
11	2	0900846	SHIFTER ROD ASSS'Y (INCL. ITEMS 4, 5, 12)
12	6	0400393	NUT, 3/8" - 16 JAM
13	4	0700369	LEVER, CONTROL
14	6	0400390	NUT, 3/8" - 16 JAM ESLOK
15	2	0400543	COTTER PIN, 1/8" X 3/4" LG.

Section VI - PARTS LIGHT BAR ASSEMBLY



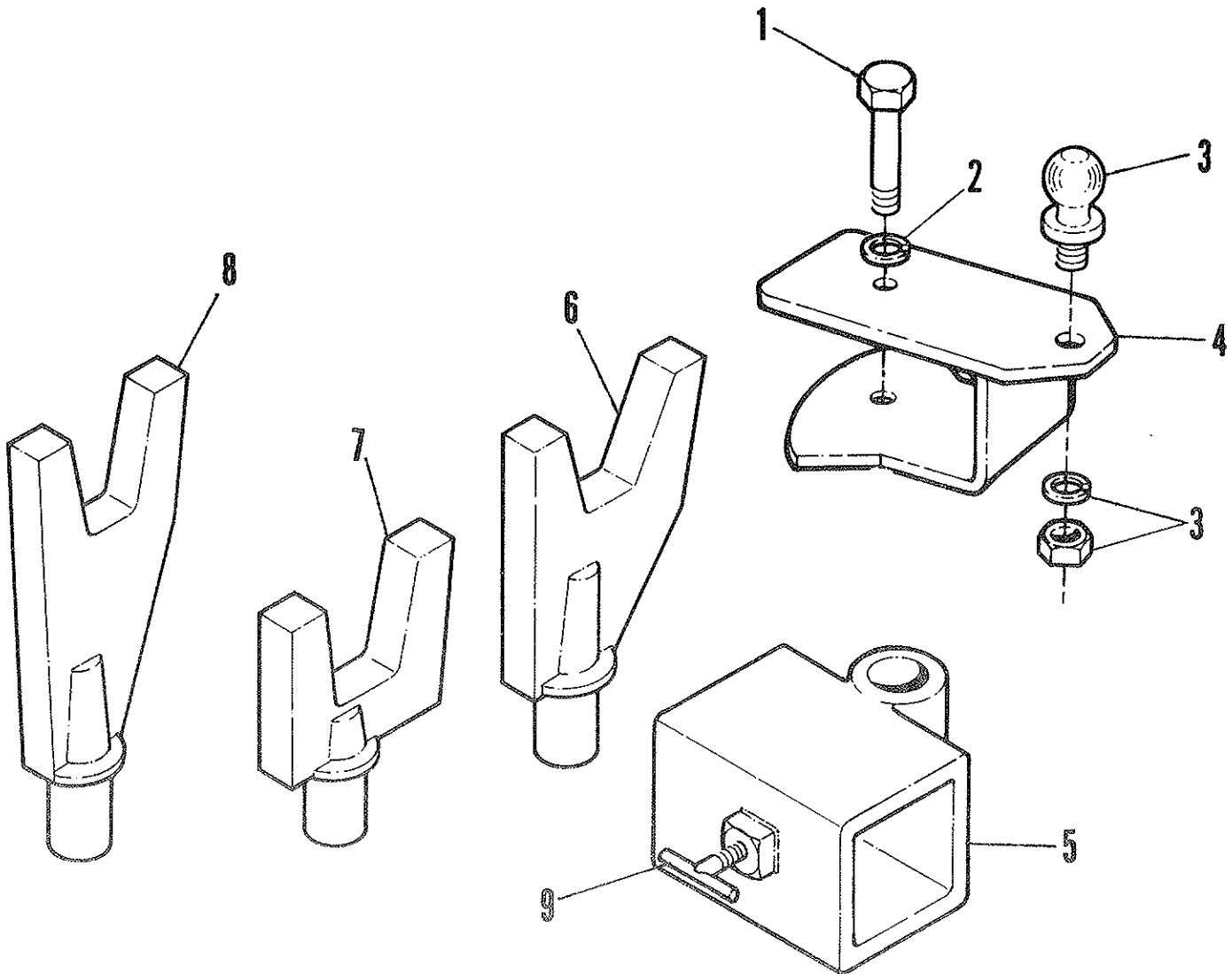
REF. NO.	NO. REQ'D.	PART NUMBER	DESCRIPTION
1	1	0301359	WRECKER SPECIAL LIGHT
2	2	0800539	"T" BOLT ADAPTOR
3	6	0400408	NUT, 1/2 - 13 HEX. HD. NYLOK
4	3	0300117	RUBBER GROMMET
5	2	0300095	SPOTLIGHT W/GASKET
6	12	0400027	SCREW, #8 - 32 X 5/8" SELF TAPPING
7	1	0800879	LIGHT BAR FOR WRECKER
8	1	0300442	3 BAR LIGHT
9	4	0400181	SCREW, 1/2 - 13 X 1-1/2 LG. HEX. HD. CAP
10	10	0400480	FLATWASHER, 3/8"
11	2	0301707	GASKET

Section VI - PARTS STANDARD PTO PANEL



REF. NO.	NO. REQ'D.	PART NUMBER	DESCRIPTION
1	1	0301675	PANEL (COMPLETE)
2	2	0400061	SCREW, 1/4" - 20 X 3/4"
3	2	0400452	LOCKWASHER, 1/4"
4	2	0400366	NUT, 1/4" - 20 HEX.

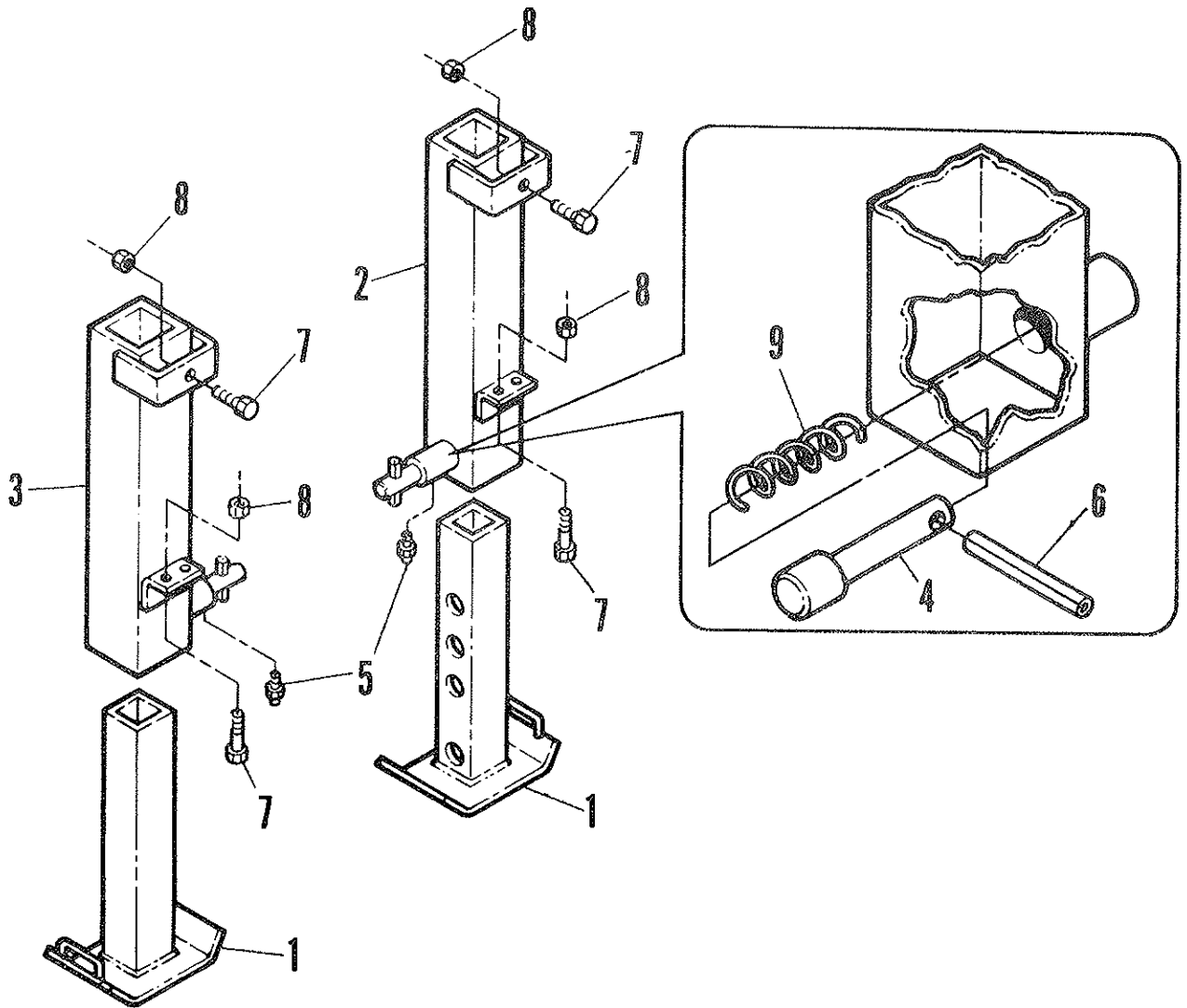
Section VI - PARTS - LIFT ADAPTORS



REF. NO.	NO. REQ'D.	PART NUMBER	DESCRIPTION
1	1	0400294	TOWBALL MOUNTING BOLT
2	1	0400511	LOCKWASHER
3	1	0300091	TOW BALL
4	1	0800820	TOW BALL BRACKET
5	2	0800861	FORK LIFT ADAPTOR
6	2	0800857	FORK WELDMENT, MEDIUM
7	2	0800858	FORK WELDMENT, SHORT
8	2	0800859	FORK WELDMENT, LONG
9	2	0800590	"T" HANDLE

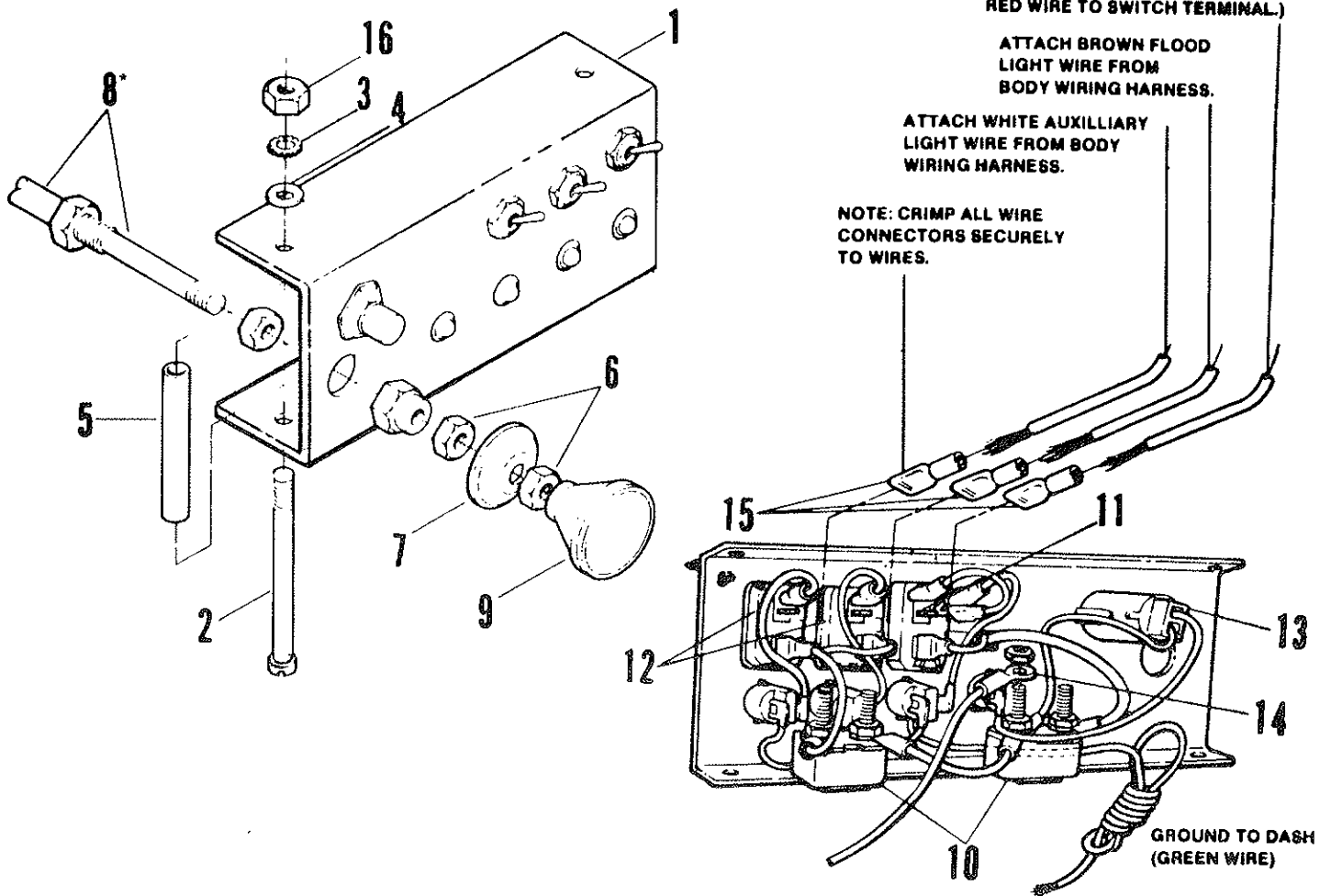
Section VII - OPTIONAL EQUIPMENT

REAR MANUAL JACKS - FORMULA II, 500 SERIES BODY



REF. NO.	NO. REQ'D.	PART NUMBER	DESCRIPTION
1	2	0800071	INNER JACK TUBE
2	1	0800390	RIGHT OUTER JACK TUBE
3	1	0800389	LEFT OUTER JACK TUBE
4	2	0700154	PLUNGER PIN
5	2	0300113	GREASE FITTING
6	2	0400568	ROLL PIN, 3/8" DIA. X 3" LG.
7	6	0400253	SCREW, 5/8" - 11 X 1-3/4"
8	6	0400421	NUT, 5/8" - 11
9	2	0300004	PLUNGER SPRING

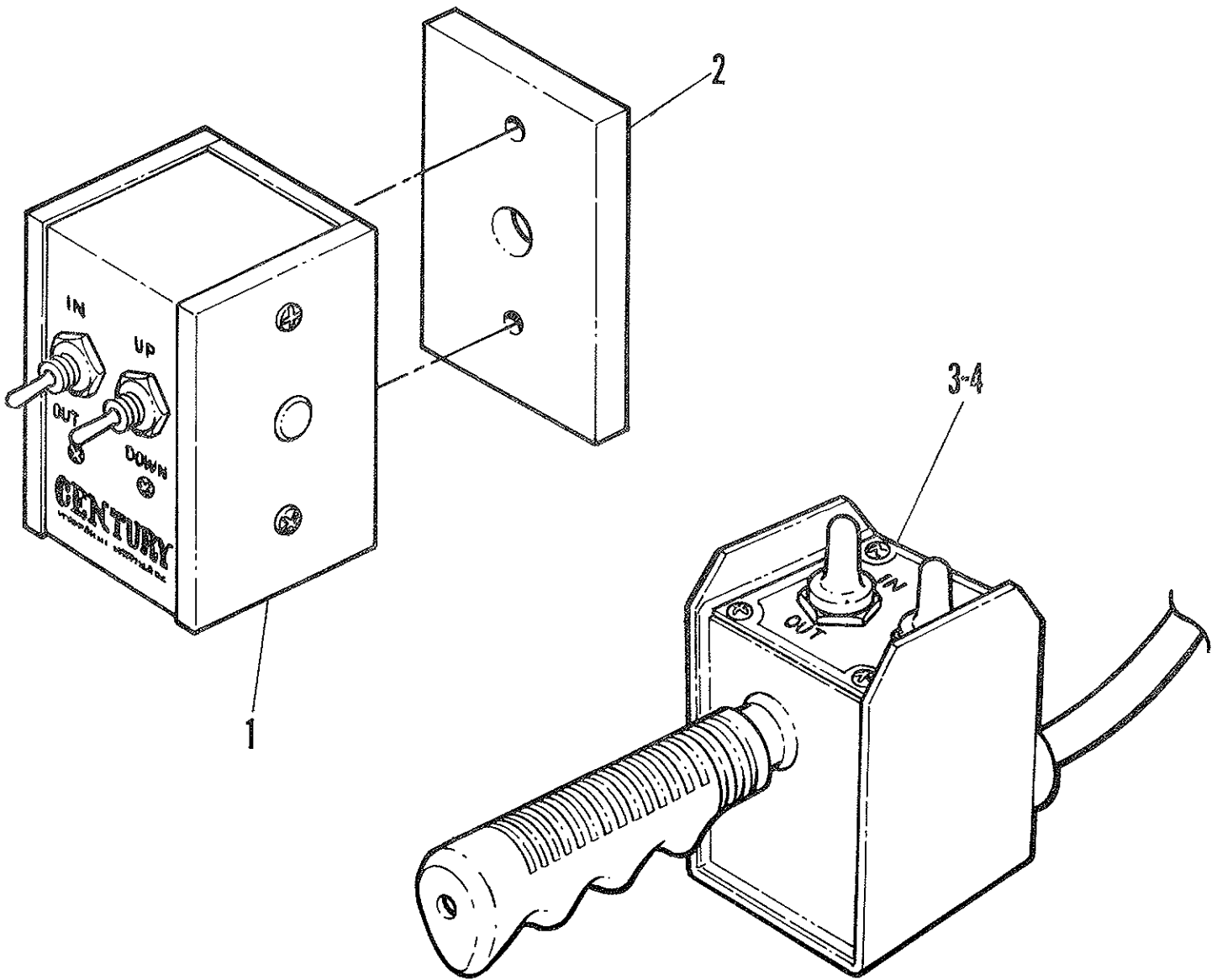
Section VII - OPTIONAL EQUIPMENT DASHBOARD PANEL



REF. NO.	NO. REQ'D.	PART NUMBER	DESCRIPTION
1	1	0304155	SWITCH PANEL HOUSING
2	2	0304156	MTG. SCREW #10 - 32 X 3-3/8"
3	2	0304157	LOCKWASHER, #10 EXT. TOOTH
4	2	0304158	FLATWASHER, #10
5	2	0304159	SPACER TUBE
6	2	0304160	JAM NUT
7	1	0304161	ACTUATOR DISK
8*	1	—	PTO CABLE, 14 FT. (*Specify Make & Model of Truck)
9	1	0304163	PTO KNOB
10	2	0304162	CIRCUIT BREAKER, 40 AMP
11	1	0304154	SWITCH, DOUBLE POLE, SINGLE THROW
12	2	0304006	SWITCH, SINGLE POLE, SINGLE THROW
13	1	0304164	PTO LIGHT SWITCH
14	1	0301503	RING CONNECTOR
15	3	0304165	SPADE CONNECTOR
16	2	0304166	NUT, 10-32

Section VII - OPTIONAL EQUIPMENT

FORMULA II IN-CAB & REMOTE CONTROL UNITS



REF. NO.	NO. REQ'D.	PART NUMBER	DESCRIPTION
1	1	0301380	IN-CAB CONTROL SWITCH
2	1	0701757	SPACER PLATE, IN-CAB CONTROL SWITCH
3	1	0900780	HAND CONTROL ASSEMBLY - 820 F II
4	1	0900614	HAND CONTROL ASSEMBLY - 500 F II

**CENTURY®
WRECKER
CORPORATION**

I-75 at Ooltewah Exit #11 • 8503 Hilltop Drive • Ooltewah, Tennessee 37363 • (615) 238-4171
Mailing Address: P.O. Box 120 • Ooltewah, Tennessee 37363 • Telex: 856967 GENWKRTN UD