

CENTURY®

L E G E N D A R Y L E A D E R S H I P



OWNER'S MANUAL

TACOM MR-30

PARTS

**NOTE: MANUAL including SPECIFICATIONS, subject to change without notice
All ratings specified are based on structural factors only,
not vehicle capacities or capabilities.**

LIMITED WARRANTY

MILLER INDUSTRIES TOWING EQUIPMENT INC., hereinafter referred to as MILLER, warrants to the original purchaser that each new MILLER wrecker or other MILLER products will be free from defects in material and workmanship for a period of twelve (12) months from date placed in service, but in no event shall such warranty period exceed twenty-four (24) months from date of manufacture by MILLER. The purchaser must promptly notify MILLER in writing of any failure in material or workmanship. In no event shall MILLER accept such notification later than twenty-four (24) months from date of delivery or twelve (12) months from date placed in service, whichever is earlier.

MILLER's obligation under this warranty, statutory or otherwise, is limited to the repair or replacement at the MILLER factory, or at a point designated by MILLER, of such part or parts as shall appear upon inspection by MILLER to be defective in material or workmanship. New or remanufactured parts will be used for any replacement at MILLER's option. This warranty is not transferable. This warranty does not obligate MILLER to bear the cost of labor or transportation charges in connection with the repair or replacement of any parts found to be defective, nor shall it apply to a product upon which repairs or alterations have been made unless authorized by MILLER.

EXCEPT AS EXPRESSLY SET FORTH IN THIS WARRANTY, MILLER MAKES NO OTHER WARRANTY, EXPRESS OR IMPLIED, AND HEREBY DISCLAIMS ALL OTHER WARRANTIES INCLUDING, BUT NOT LIMITED TO, THE IMPLIED WARRANTIES OF MERCHANTABILITY AND FITNESS FOR A PARTICULAR PURPOSE. MILLER shall in no event be liable for claimed downtime, claimed loss of profits or goodwill, or any other special, incidental, indirect, or consequential damages concerning or relating to any product or parts, whether based on negligence, strict liability, breach of contract, breach of warranty, misrepresentation or any other legal theory, regardless of whether the loss resulted from any general or particular requirement which MILLER knew or had reason to know about at the time of sale.

MILLER MAKES NO WARRANTY, EXPRESS OR IMPLIED, AS TO THE FINISHED PRODUCTS MANUFACTURED OR SUPPLIED BY ANOTHER MANUFACTURER AND SUPPLIED BY MILLER TO PURCHASER, including, but not limited to, any vehicle to which a MILLER product may be affixed or any accessories or wire rope, and MILLER EXPRESSLY DISCLAIMS ANY IMPLIED WARRANTIES OF MERCHANTABILITY OR FITNESS FOR A PARTICULAR PURPOSE AS TO SUCH EQUIPMENT OR PRODUCTS. This language shall in no way affect or diminish the rights of the purchaser to rely on such warranties as are extended by such manufacturers or suppliers. MILLER shall, to the extent permitted under applicable law, pass on to the purchaser such manufacturer's or seller's warranty.

MILLER, whose policy is one of continuous improvement, reserves the right to improve its products through changes in design or materials as it may deem desirable without being obligated to incorporate such changes in products previously sold. This warranty is not intended to cover or include the following items, which are set forth by way of example and not limitation:

- A. Normal deterioration of trim, paint, lettering, and appearance items due to wear or exposure to weather, road conditions, road treatments, etc.
- B. Any damage or defect due to accident, misuse, abuse, improper or unauthorized repairs, failure to provide reasonable and necessary maintenance, or uses for which the equipment was not designed or intended.
- C. Alterations or modifications that affect performance, operation or reliability.
- D. Normal maintenance parts including, but not limited to, wear pads, bushings, wire rope, mud flaps, fenderettes, light bulbs, hydraulic oil, filters, and tow sling belts.

IT IS EXPRESSLY UNDERSTOOD THAT MILLER MAKES NO IMPLIED WARRANTY THAT MILLER PRODUCTS SHALL BE FIT FOR THE PURPOSE OF LIFTING OR MOVING PEOPLE OR FOR ANY OTHER IMPROPER USE.



Miller Industries Towing Equipment Inc.
8503 Hilltop Drive
Ooltewah, Tennessee 37363
Telephone (423) 238-4171

SERIAL NUMBER

SECTION I - PARTS

MR-30 PARTS LIST

REF. NO.	NO. REQ'D	PART NUMBER	DESCRIPTION
--	--	145002477	MR-30 ROTATOR
1	1	24779040	FINAL ASSEMBLY - STATION 6
--	--	24779040	FINAL ASSEMBLY - STATION 6
2	1	0307725	SHACKLE, 1.5" SCREW PIN 17 TON
3	1	0310578	FIRST AID KIT, 24 UNIT
4	1	0906642	KIT-CHAIN SAFETY ASSEMBLY
5	1	0908552	KIT, SAFETY TREAD DECAL-INTEGRA
6	1	0910424	DECAL KIT - MR-30 CONTROLS
7	1	124001724	RISER BRACKET - 3224
8	1	124001833	5TH WHEEL ADAPTER KIT
9	1	144002188	TOOL SET, CRAFTSMAN 9-33446
10	1	144002239	AIR BAG, JACK ASSEMBLY KPI-22
11	1	144002240	KIT, PINTLE HOOK - 5230 TACOM
12	1	144002277	TOOLS, MISCELLANEOUS
13	1	144002278	SLING, RECOVERY 4" X 26"
14	1	174002268	TRIANGLE KIT
15	1	174002299	RUBBER CHOCK BLOCKS
16	1	174016130	SQUARE POINT SHOVEL
17	1	174017215	15 TON GENERIC SNATCH BLOCK
18	2	174024001	5/16" LOAD BINDER
19	2	174025021	10'-5/16" SAFETY CHAIN ASSEMBLY
20	2	174025025	10'-3/8" SAFETY CHAIN ASSEMBLY (
21	2	174025029	20'-5/16" SAFETY CHAIN ASSEMBLY
22	2	174025034	20'-3/8" SAFETY CHAIN ASSEMBLY (
23	1	21473002	WIRE ROPE
24	1	22303001	AIR GAUGE, 1/4 INLET - WINDOW
25	1	24773006	CABLE - CRANE WINCH (SEE TEXT)
26	1	24773007	HOOK BLOCK
27	1	24773008	WEDGE SOCKET
28	1	24779027	KIT - MR30 FORK
29	1	24779039	FINAL ASSEMBLY - STATION 5
--	--	0906642	KIT-CHAIN SAFETY ASSEMBLY
30	2	0307626	SAFETY CHAIN ASSEMBLY, 1/2" X 14' GR100
31	2	0400421	5/8"-11 NYLOK HEX NUT ZP
32	2	0400506	5/8" FLATWASHER ZP
33	1	0501179	PHOTO SHIP KIT FOR 0906642
--	--	0910424	DECAL KIT - MR-30 CONTROLS
34	1	0501678	DECAL, CONTROL MR-30
35	1	0501679	DECAL, THROTTLE - MR30
36	1	0501680	DECAL, WINCH FREESPOOL - MR30
37	2	0501681	DECAL, OUTRIGGER (IN/OUT) MR30
38	1	0501682	DECAL, OUTRIGGER (UP/DN) MR30
39	1	0501683	DECAL, JACK LEGS - MR30
40	1	0501684	DECAL, SLEW LOCK - MR30
41	1	0501685	DECAL, LEVEL - MR30
42	1	0501686	DECAL, 2-SPEED WINCH - MR30

Section I - PARTS (cont'd)

MR-30 PARTS LIST

REF. NO.	NO. REQ'D	PART NUMBER	DESCRIPTION
--	--	124001724	RISER BRACKET - 3224
43	2	0306564	ALUM T HANDLE 5/8" X 1-1/4"
44	2	0802253	BRKT - RISER -3224
--	--	124001833	5TH WHEEL ADAPTER KIT
45	1	0902782	ADAPTER-FIFTH WHEEL
--	--	0902782	ADAPTER-FIFTH WHEEL
46	1	0400555	3/8" X 1-1/2" ROLL PIN ZP
47	1	0501304	PHOTO SHIP KIT-0902782
48	1	0804053	PLATE - FIFTHWHEEL PVT.
49	2	HD1259	SAFETY SNAP PIN
50	1	VA0661	PIN-PULL WELDMENT
51	1	VA0662	PIN-PIVOT WELDMENT
--	--	144002239	AIR BAG, JACK ASSEMBLY KPI-22
52	1	0303540	NIPPLE, QUICK DISCONNECT 3/8
53	1	0307819	FITTING, PARATECH22-890682
54	1	22393001	AIR BAG JACKKPI-22888160
55	1	22393002	SINGLE CONTROL KPI-22890506
56	1	22393003	AIR HOSE KPI-22890514
57	1	22393005	AIR JACK, 30T AIR/HYD - 14495
--	--	144002240	KIT, PINTLE HOOK - 5230 TACOM
58	1	0803831	5TH WHL & KING PIN ADAPT
59	2	0902378	PIN-3224 RET. ASSEMBLY
60	1	0903294	PIN-MOUNTING ASSEMBLY
61	1	22403001	PINTLE HOOK
62	1	22408001	BRACKET, PINTLE HOOK
63	1	22409001	KIT, HARDWARE-PINTLE HOOK MTG
--	--	0902378	PIN-3224 RET. ASSEMBLY
64	1	0300247	PIN, SAFETY 1053 ZP
65	1	0307788	CABLE, PIN RETAINER SUBASSEMBLY
66	1	0307789	SWAGE, CABLE LOOP (1/8 CABLE)
67	1	0400044	10 X 1/2' DRIVE SCREW RD
68	1	0400568	3/8" X 3" ROLL PIN ZP
69	1	0501301	PHOTO SHIP KIT-0902378
70	1	0707517	PIN - RETAINER
--	--	0903294	PIN-MOUNTING ASSEMBLY
71	2	0307789	SWAGE, CABLE LOOP (1/8 CABLE)
72	2	0400555	3/8" X 1-1/2 ROLL PIN ZP
73	1	0802973	MOUNTING PIN WELDMENT
74	1	HD1259	SAFETY SNAP PIN
--	--	22409001	KIT, HARDWARE-PINTLE HOOK MTG
75	2	0400177	1/2"-13 X 1.25" HHCS GR5 ZP
76	4	0400306	7/8"-9 X 3" HHCS GR 8 GOLD

Section I - PARTS (cont'd)

MR-30 PARTS LIST

REF. NO.	NO. REQ'D	PART NUMBER	DESCRIPTION
--	--	24779027	KIT - MR30 FORK
77	4	0400437	7/8"-9 NYLOK HEX GR 8 ZP
78	2	0400491	1/2" HCL LKWSHR ZP
79	2	0200018	FORK - SHORT, 3 IN OPNG
80	2	0200020	FORK - MED, 3 IN OPNG
81	2	0200021	FORK - MED, 4-1/2 IN OPNG
82	2	0200023	FORK - LONG, 4-1/2 IN OPNG
83	2	0306564	ALUM T HANDLE 5/8" X 1-1/4"
84	1	0803580	ADAPTER - L.H. OFFSET FORK
85	1	0803581	ADAPTER - R.H. OFFSET FORK
86	2	0807023	BRKT - PIVOT SPRING LIFT
87	2	0902378	PIN - 3224 RET. ASSEMBLY
88	2	0908672	PIN - RET. - SPRING LIFT
--	--	0902378	PIN - 3224 RET. ASSEMBLY
89	1	0300247	PIN, SAFETY 1053 ZP
90	1	0307788	CABLE, PIN RETAINER SUBASSEMBLY
91	1	0307789	SWAGE, CABLE LOOP (1/8 CABLE)
92	1	0400044	10 X 1/2" DRIVE SCREW RD
93	1	0400568	3/8" X 3" ROLL PIN ZP
94	1	0501301	PHOTO SHIP KIT - 0902378
95	1	0707517	PIN - RETAINER
--	--	0908672	PIN - RET. - SPRING LIFT
96	1	0302474	PIN, LINCH 3/16"
97	1	0307788	CABLE, PIN RETAINER SUBASSEMBLY
98	1	0307789	SWAGE, CABLE LOOP (1/8" CABLE)
99	1	0400044	10 X 1/2" DRIVE SCREW RD
100	1	0400568	3/8" X 3" ROLL PIN ZP
101	1	0400573	3/16" X 1-1/4" ROLL PIN ZP
102	1	0718917	PIN, RETAINER
--	--	24779039	FINAL ASSEMBLY - STATION 5
103	6	0301799	FLEXIBLE TRIM
104	8	0303056	"D" GASKET - H2 ADHESIVE
105	4	0400002	4 X 1/4" DRIVE SCREW RD HD
106	2	0400379	5/16"-18 "J" NUT TINNERMAN
107	1	0400437	7/8"-9 NYLOK HEX GR 8 ZP
108	2	0400821	7/8" FLATWASHER SAE GR8 YZ PLT
109	2	0400996	SCREW, BHSCS 5/16"-18 X 1" ZB
110	14	0400998	SCREW, BHSCS 3/8"-16 X 1-1/2" Z
111	2	0402118	5/16" HELICAL LOCKWASHER SS
112	14	0402121	3/8" LOCKWASHER 316 SS
113	1	0717945	FLOOR PLATE COVER - U/L REAR
114	1	0717946	FLOOR PLATE COVER - DECK REAR
115	2	0722731	RETAINER, SIDE
116	1	0722732	RETAINER, TOP
117	1	0806765	DECK PANEL CENTER WELDMENT SHORT
118	1	0807554	TOW BAR ASSEMBLY

Section I - PARTS (cont'd)

MR-30 PARTS LIST

REF. NO.	NO. REQ'D	PART NUMBER	DESCRIPTION
--	--	24779039	FINAL ASSEMBLY - STATION 5 (cont'd)
119	1	0908675	KIT, REMOTE NOT THERE LAMP
120	1	0909085	KIT, AIR FLR/REG/LUBE COMBO 1/4
121	1	24777134	FLOOR PLATE - VALVE COVER
122	1	24778029	REMOTE CONTROL STOW BRACKET
123	1	24779038	FINAL ASSEMBLY - STATION 4
124	1	GH246	SPLIT RUBBER GROMMET
125	4	GV57	RUBBER GROMMET, ATLANTIC
--	--	0908675	KIT, REMOTE NOT THERE LAMP
126	35	0300143	WIRE, 16 GA GREEN
127	1	0307495	LAMP, MINI-MARKER LED
128	1	0307822	PIN, SWITCH
129	2	0400045	10-32 X 1/2" THRD CUT RD S/S
130	1	0400070	1/4"-20 X 1" HHCS GR5 ZP
131	1	0400367	1/4"-20 NYLOK HEX NUT ZP
132	1	0501628	LABEL, REMOTE LAMP
133	1	0717499	ANGLE - MTG WORK LIGHT BOOM
--	--	0909085	KIT, AIR FLR/REG/LUBE COMBO 1/4
134	1	0302123	HEX NIPPLE 4MP-4MP
135	1	0303363	AIR FLTR/REGULATOR COMBO
136	1	0306983	FITT, BRASS RUNTEE 1/4T-1/4MPX
137	1	9010520	FITT, BRASS ELB 1/4T-1/4MP
--	--	24779038	FINAL ASSEMBLY - STATION 4
138	2	0302677	BREATHER VENT 1/8 MP
139	1	0303365	BRACKET, MOUNTING - AIR PREP
140	1	0306537	EMERGENCY SWITCH(RAMSEY)
141	6	0306540	ROTARY SELECT SWITCH OPERATOR
142	2	0306977	FITTING BRASS PLUG 1/8
143	1	0307495	LAMP, MINI-MARKER LED
144	1	0310031	PLUG, NYLON LOCKING 7/8 ID BLK
145	1	0310192	AIR SOL STK 12VDC 4 BANK
146	2	0400024	8-32 X 1.5" SLOTTED HEAD
147	2	0400351	8-32 HEXNUT&STAR WSHR ZP
148	1	0500686	DECAL - RETRACT CAUTION
149	1	0722741	PLATE, MR30 CONTROLS
150	1	0908382	KIT - MUDFLAP LRG CENTURY WKR
151	1	124002667	TOOL CABINET, 3-DRAWER
152	1	124002725	KIT, TAILBRD WK LAMP OVAL HELLA
153	1	144002383	QUICK CONNECT AIR SUPPLY
154	1	174001347	6 HEAD JET STROBE LIGHTBAR
155	1	174002277	10 LB. FIRE EXTINGUISHERW/ 10
156	1	21473014	CHAIN, STEERING WHEEL RESTRAINT
157	1	21473017	LABEL, PTO
158	6	22333001	PADLOCK EYE, MASTER LOCK 60R
159	3	22333002	PADLOCK, MASTER
160	1	24773025	FIRE EXT BRACKET

Section I - PARTS (cont'd)

MR-30 PARTS LIST

REF. NO.	NO. REQ'D	PART NUMBER	DESCRIPTION
--	--	24779038	FINAL ASSEMBLY - STATION 4 (cont'd)
161	1	24777133	PANEL - GAUGE
162	1	24777210	PLATE - O/R SWITCH MOUNTING
163	1	24778020	CONTROL PANEL WELDMENT
164	1	24778030	VALVE COVER WELDMENT
165	1	24779037	FINAL ASSEMBLY - STATION 3
166	1	9010030	FITT, BRASS ELB 1/4T-1/8MPX
167	2	9010520	FITT, BRASS ELB 1/4T-1/4MP
168	4	9024041	SWITCH - MCGILL 0852-0110
169	1	HA0131	REGULATOR, AIR
170	1	HA0132	GAUGE 0-160 PSI
--	--	0908382	KIT - MUDFLAP LRG CENTURY WKR
171	2	0301223	MUD FLAP, LWKR
172	8	0400103	5/16"-18 X 1.25" HHCS GR5 ZP
173	4	0400148	3/8"-16 X 1.25" HHCS GR5 ZP
174	8	0400382	5/16"-18 NYLOK HEX NUT ZP
175	4	0400392	3/8"-16 NYLOK HEX NUT ZINC
176	2	0717386	BAR - MUDFLAP
177	2	0718139	ANGLE - MUD FLAP MOUNT
--	--	124002667	TOOL CABINET, 3-DRAWER
178	1	0310434	3-DRAWER UNIT
179	1	0310436	MOUNTING BRACKETS
--	--	124002725	KIT, TAILBRD WK LAMP OVAL HELLA
180	2	0307748	LAMP, OVAL 100 HALOGEN - HELLA
181	2	0307769	DT PIGTAIL, HELLA WORK LAMP
182	2	0400382	5/16-18 NYLOK HEX NUT ZP
183	2	0400463	5/16" FLATWASHER ZP.
184	2	HD0331	5/16-18X1CARRIAGE GR5
--	--	144002383	QUICK CONNECT AIR SUPPLY
185	1	0302123	HEX NIPPLE 4MP-4MP
186	2	0302125	PIPE, BUSHING 1/2MPT X 1/4FPT
187	1	0303538	FITT, ADAPTER -BRASS 8FP-6MP
188	1	0303539	QUICK DISCONNECT 3/8 FPT
189	1	0303540	NIPPLE, QUICK DISCONNECT 3/8
190	1	0303541	NIPPLE, QUICK DISCONNECT
191	1	0303542	QUICK DISCONNECT - BARB
192	50	0303543	3/8" AIR HOSE RUBBER RED
193	2	0307033	CLAMP - HOSE 5/8" 2-EAR
--	--	24779037	FINAL ASSEMBLY - STATION 3
194	1	0303385	JUNCTION BOX - 10 POLE
195	48	0307513	CABLE WIRE 2/18GA SOOW
196	1	0307514	CONNECTOR, DOME - CAP STRAIN REL
197	6	0307523	TRIM-LOK 7100B3 X 1/4C
198	2	0307785	KIT, RATCHET&1"STRAP - FUEL CAN

Section I - PARTS (cont'd)

MR-30 PARTS LIST

REF. NO.	NO. REQ'D	PART NUMBER	DESCRIPTION
--	--	24779037	FINAL ASSEMBLY - STATION 3 (cont'd)
199	2	0400121	3/8"-16 X 3/4" HHCS GR5 ZP
200	2	0400480	3/8" FLATWASHER ZP
201	2	0400482	3/8" HELICAL LCKWSHR - ZP
202	1	0907043	KIT, HOLE PLUG TOOL BOX
203	1	0907508	KIT - MODULAR MOUNTS
204	1	145002486	BODY ASSEMBLY - MR-30 156CB TAN
205	2	174016123	5 GAL JERRY CAN
206	2	174016129	JERRY CAN RACK
207	1	24777138	COVER - LIMIT SWITCH
208	1	24779024	CAB PROTECTOR
209	1	24779036	FINAL ASSEMBLY - STATION 2
210	1	HE0239	SWITCH, LIMIT
211	1	HE0240	SWITCH, ARM-LIMIT
--	--	0907043	KIT, HOLE PLUG TOOL BOX
212	8	0307052	WASHER, RUBBER 7/16X1 1/4X1/4
213	4	0400201	1/2"-13 X 1.5" CRGBLT GR5 ZP
214	4	0400407	1/2"-13 HEX NUT ZP
215	4	0400491	1/2" HCL LKWSHR ZP
216	4	0400492	1/2" FLATWASHER ZP
217	4	0400506	5/8" FLATWASHER ZP
--	--	0907508	KIT - MODULAR MOUNTS
218	20	0400491	1/2" HCL LKWSHR ZP
219	20	0400497	1/2" FLAT WASHER GR 8 YZ PLT
220	18	9041402	1/2" NC X 1 1/4" HHCS PLT GR8
221	2	9041403	1/2" NC X 1 1/2" HHCS PL G
222	14	9402970	TOOLBOX MTG. PAD
223	12	942480011	PLATE, SLOT-SS REAR WASHER TBOX
224	2	942480011	PLATE, SLOT-SS REAR WASHER TBOX
--	--	145002486	BODY ASSEMBLY - MR-30 156CB TAN
225	1	24869001	BODY ASSEMBLY - MR-30 156CB TAN
226	1	24869002	SHIP KIT
--	--	24869001	BODY ASSEMBLY - MR-30 156CB TAN
227	130	0310424	SEAL, LTI BULB 1211
228	20	0717691	PLATE, WIRE RETAINER ALUMINUM
229	1	0907310	KIT-RUBBER FENDER- ALUM TANDEM
230	1	0907329	KIT-MODULAR WIRE
231	1	0908609	KIT - MODULAR LIGHTS 156" 2006
232	1	24863003	TOOLBOX - MR-30 LEFT 156CB
233	1	24863004	TOOLBOX - MR-30 RIGHT 156CB
234	2	946800003	HARNESS
--	--	0907310	KIT-RUBBER FENDER- ALUM TANDEM
235	28	0307151	RUBBER FENDER -GRIFFITH 37042
236	76	0400607	1/4" AL. RIVET X 5/8"

Section I - PARTS (cont'd)

MR-30 PARTS LIST

REF. NO.	NO. REQ'D	PART NUMBER	DESCRIPTION
-- 237	-- 1	0907310 0600016	KIT-RUBBER FENDER- ALUM TANDEM (cont'd) BAG, 6 X 9 POLY 2.5 MIL
-- 238 239 240 241 242 243 244 245 246 247 248 249 250 251 252 253	-- 35 75 2 2 1 1 1 1 2 2 2 2 2 1 1 10	0907329 0301503 0302433 0307177 0307178 0307179 0307180 0307181 0307182 0307184 0307265 0307266 0307267 0307713 0600053 0903069 GV57	KIT-MODULAR WIRE 3/16 RING TERM 10-12GA BARE CABLE TIE - 7 50 LB HARNESS-EXT. L.H. "A" CIRCUIT HARNESS-EXT. L.H. "B" CIRCUIT HARNESS-EXT. R.H. "A" CIRCUIT HARNESS-EXT. R.H. "B" CIRCUIT HARNESS - CROSSOVER HARN. "A" HARNESS - CROSSOVER HARN. "B" HARNESS-SIDE MARK-TURN TANDEMS HARNESS - H.D. MAIN WIRING HARNESS - TAIL "A" WIRING HARNESS - TAIL "B" WIRING HARNESS, VUL LWRK TBX BAG-10X13 POLY4MILZIPLCK KIT-BACK UP ALARM RUBBER GROMMET, ATLANTIC
-- 254 255 256 257 258 259 260 261 262 263 264 265	-- 16 2 12 4 6 10 14 2 2 54 66 24	0908609 0300844 0303127 0303128 0306958 0307220 0307710 0307981 0310369 0310496 0400043 0400045 0401024	KIT - MODULAR LIGHTS 156" 2006 3/4 X 1/8 CLOSED CELL GROMMET-MARKER FOR 2.5" ROUND GROMMET, OVAL -FOR TAILLIGHT STOP & TURN LIGHT - RED (LED) LIGHT, OVAL AMBER LED LIGHT, LED TOOLBOX P4606 RED PIGTAIL, 3-WIRE LAMP W/BULLET LAMP, BACKUP LED CLEAR LENS MARKER SEALED-RED LED CLR LENS 10-24X1 OVAL PHILHD MCH 10-32X1/2 THRD CUT RD S/S MACH SC.8-32X1 1/2 RND SL ALUM
-- 266 267 268 269 270 271 272 273 274	-- 2 6 1 1 2 2 1 1 1	0903069 0300077 0300153 0303061 0303178 0400057 0400367 0500676 0501378 0600016	KIT-BACK UP ALARM WIRE, 16 GA, RED CONNECTOR, WIRE BACK UP ALARM ECCOMS97 HEAT SHRINK-1/4 (4 FT. LONG) 1/4-20X1.25 HHCS 1/4-20 NYLOK HEX NUT ZP INSTR-INSTL BACKUP ALARM PHOTO SHIP KIT - 0903069 BAG, 6 X 9 POLY 2.5 MIL
-- 275 276	-- 1 16	24869002 0300442 0303056	SHIP KIT LIGHT, 3 BAR15741R (9025006) "D" GASKET- H2 ADHESIVE

Section I - PARTS (cont'd)

MR-30 PARTS LIST

REF. NO.	NO. REQ'D	PART NUMBER	DESCRIPTION
--	--	24869002	SHIP KIT (cont'd)
277	1	0907508	KIT - MODULAR MOUNTS
278	1	0908275	KIT, FENDER SKIRT-AL TBOX LWRK
279	1	0908862	KIT, WINDOW HOUSE LOCK
--	--	0907508	KIT - MODULAR MOUNTS
280	20	0400491	1/2" HCL LKWSHR ZP
281	20	0400497	1/2" FLAT WASHER GR 8 YZ PLT
282	18	9041402	1/2 NC X 1 1/4 HHCS PLT GR8
283	2	9041403	1/2 NC X 1 1/2 HHCS PL G
284	14	9402970	TOOLBOX MTG. PAD
285	12	942480011	PLATE, SLOT-SS REAR WASHER TBOX
286	2	942480011	PLATE, SLOT-SS REAR WASHER TBOX
--	--	0908275	KIT, FENDER SKIRT-AL TBOX LWRK
287	1	0307270	SIKAFLEX-GRAY221-G SEALANT
288	1	0501195	ATTACHMENT OF FENDER SKIRT
289	4	9025068	REFLECTOR-PETERSON B489R DECAL
--	--	0908862	KIT, WINDOW HOUSE LOCK
290	2	0501105	DECAL-ARROW WINDOW HOUSE LOCK
291	1	0716392	WINDOW - CLEAR HOUSE LOCK
292	1	0719031	FRAME, WINDOW - HOUSE LOCK
293	1	9025049	INTERIOR & COMPART. LIGHT W/SW
--	--	24779024	CAB PROTECTOR
294	2	0400126	3/8"-16 X 1" HHCS GR5 ZP.
295	8	0400343	1/2"-13 X 2"HHCS GR 8 ZP
296	8	0400416	1/2"-13 NYLOK GR 8 YZ PLT
297	2	0400480	3/8" FLATWASHER ZP
298	2	0400482	3/8" HELICAL LCKWSHR - ZP
299	8	0400497	1/2" FLAT WASHER GR 8 YZ PLT
300	1	21479026	KIT, ANTENNA MTG
301	1	24778018	CAB PROTECTOR WELDMENT
302	2	GH246	SPLIT RUBBER GROMMET
303	2	GV57	RUBBER GROMMET, ATLANTIC
--	--	21479026	KIT, ANTENNA MTG
304	8	0402102	10 LOCKWASHER 8-18 SS
305	8	0402104	10 FLATWASHER, SS
306	1	21477044	BRACKET, ANTENNA MTG
307	1	21477045	COVER, SIDE ANTENNA
308	8	DE642	10-24X1/2 MACHINE SCREW
--	--	24779036	FINAL ASSEMBLY - STATION 2
309	4	0301470	FITTING, 90ELB 6MJ-8MB90
310	1	0301909	RECEPTACLE BOOT
311	2	0301946	FITTING, BLKHD CONNECT
312	1	0301948	HD 7 WAY TRAILER CONNECT

Section I - PARTS (cont'd)

MR-30 PARTS LIST

REF. NO.	NO. REQ'D	PART NUMBER	DESCRIPTION
--	--	24779036	FINAL ASSEMBLY - STATION 2 (cont'd)
313	2	0310575	FITTING STR -1/4NPT X 3/8 TUBE
314	9	0400070	1/4"-20 X 1 HHCS GR5 ZP
315	8	0400262	5/8"-11 X 2.5" HHCS GR 8 ZP
316	5	0400367	1/4"-20 NYLOK HEX NUT ZP
317	8	0400426	5/8"-11 GR 8 NYLOK NUT YZ PLT
318	2	0400451	1/4" FLATWASHER ZP
319	16	0400503	5/8" FLATWASHER GR8 YZ PLT
320	1	0908582	AIR COIL LINE KIT
321	1	124002725	KIT, TAILBRD WK LAMP OVAL HELLA
322	2	24773003	CYLINDER - OUTRIGGER VERTICAL
323	1	24773013	LEVEL SENSOR
324	1	24779035	FINAL ASSEMBLY - STATION 1
325	1	24779041	KIT, PUMP LWRK ROT-MR30
326	1	9011071	FITT, BRASS TEE 1/4T-1/4T-1/4T
--	--	0908582	AIR COIL LINE KIT
327	1	0307739	AIR COIL SET
328	2	0307740	GLAD HAND - (RED)
329	2	0307741	GLAD HAND - SERVICE (BLUE)
--	--	124002725	KIT, TAILBRD WK LAMP OVAL HELLA
330	2	0307748	LAMP, OVAL 100 HALOGEN - HELLA
331	2	0307769	DT PIGTAIL, HELLA WORK LAMP
332	2	0400382	5/16-18 NYLOK HEX NUT ZP
333	2	0400463	5/16" FLATWASHER ZP.
334	2	HD0331	5/16-18X1CARRIAGE GR5
--	--	24779035	FINAL ASSEMBLY - STATION 1
335	25	0300132	CABLE TIE T120R BLK 15 1/4"
336	60	0301577	1/4" O.D. PLASTIC TUBING BLK
337	40	0301950	7 COND ELEC CABLE
338	25	0302095	WIRE, 12 GA WHITE
339	25	0302433	CABLE TIE - 7 50 LB
340	1	0307306	GROUND CABLE - 192"
341	1	0310199	PUMP, PISTON - KAWASAKI
342	1	0310534	HARNESS, E-STOP AND REMOTE
343	35	0310580	7 COND ELEC CABLE (14GA)
344	4	0400288	3/4"-10 X 2.5" HHCS GR 8GOLD
345	56	0400426	5/8"-11 GR 8 NYLOK NUT YZ PLT
346	4	0400431	3/4"-10 NYLOK HEX GR 8 ZP
347	1	0906838	GROUND KIT MTG.HARNESS CENTURY
348	1	24773010	PTO - SPECIAL
349	1	24773011	KIT - PTO SPACER & STUD
350	1	24779023	BODY MOUNTING
351	1	24779025	KIT - PUMP SUPPORT
352	1	24779034	UNIT ASSEMBLY - STATION 5
353	2	9011033	1/4" TO 3/8" FEMALE CONNE
354	4	9012584	ELBOW-1/4" NPT X 3/8" TUBE 9

Section I - PARTS (cont'd)

MR-30 PARTS LIST

REF. NO.	NO. REQ'D	PART NUMBER	DESCRIPTION
-- 355	-- 56	24779035 9044409	FINAL ASSEMBLY - STATION 1 (cont'd) 5/8"-11 X 2 1/4" HHCS PL GR8
-- 356 357 358 359 360 361 362 363	-- 1 1 1 1 1 1 1 1	0906838 0400126 0400392 0400481 0400499 0402122 0501292 0600053 0716468	GROUND KIT MTG.HARNESS CENTURY 3/8"-16 X 1" HHCS GR5 ZP. 3/8"-16 NYLOK HEX NUT ZINC 3/8" EXT.TOOTH LOCKWASHER 3/4" EXT.TOOTH LOCKWASHER 3/8"-16NC HEX NUT 316 SS PHOTO SHIP KIT-0906838 BAG-10X13 POLY4MILZIPLCK LUG - GROUNDING
-- 364 365 366	-- 2 1 1	24779023 0707174 24777131 24777132	BODY MOUNTING ANG TAILGATE MTG MOUNTING ANGLE -(LH) M30 MOUNTING ANGLE -(RH) M30
-- 367 368 369 370 371 372 373 374 375 376	-- 2 1 1 2 2 1 2 2 1 1	24779025 0400121 0400132 0400392 0400480 0400482 0400568 0400702 0400826 24777155 24778016	KIT-PUMP SUPPORT 3/8"-16 X 3/4" HHCS GR5 ZP 3/8"-16 X 1.5" HHCS GR5 ZP 3/8"-16 NYLOK HEX NUT ZINC 3/8" FLATWASHER ZP 3/8" HELICAL LCKWSHR - ZP 3/8" X 3" ROLL PIN ZP M10X30 HEX HEAD CAP SCRW 10MM HELICAL LOCKWASHER ZP PLATE, PUMP SUPPORT PUMP SUPPORT WELDMENT
-- 377 378 379 380 381 382 383 384 385	-- 1 4 3 2 2 1 1 1 1	24779034 0300113 0400002 0400554 0706432 0902553 18565012 24778019 24779028 24779033	UNIT ASSEMBLY - STATION 5 GREASE FITTING, 1/4-28 STRAIGHT 4 X 1/4" DRIVE SCREW RD HD 3/8" X 1" ROLL PIN ZP BLOCK - STOP KIT-D RING LARGE PLATE-SERIAL & DATA AUSTR MIL LIMIT CAM WELDMENT SWIVEL ASSEMBLY UNIT ASSEMBLY - STATION 4
-- 386 387 388 389	-- 2 2 2 2	0902553 0400114 0400776 0719585 GA0215	KIT-D RING LARGE 5/16"-18 X 3" HHCS GR5 ZP 5/16"-18 HEX NUT JAM NYLOK ZP D-RING, TOWING PIN-"D" RING
-- 390	-- 1	24779028 0300113	SWIVEL ASSEMBLY GREASE FITTING, 1/4-28 STRAIGHT

Section I - PARTS (cont'd)

MR-30 PARTS LIST

REF. NO.	NO. REQ'D	PART NUMBER	DESCRIPTION
--	--	24779028	SWIVEL ASSEMBLY (cont'd)
391	1	0400133	3/8"-16 X 3 HHCS GR5 ZP
392	2	0400150	3/8"-16 X 2.5 HHCS GR5 ZP
393	3	0400392	3/8"-16 NYLOK HEX NUT ZINC
394	1	0716134	SHAFT - SHEAVE
395	1	0803313	GUIDE-CABLE WELDMENT
396	1	0804315	SWIVEL- BOOM END WELDMENT
397	1	24773024	SHEAVE - 10" W/ GROOVE FOR 7/8
398	2	24777178	GUIDE - BOTTOM CABLE
--	--	24779033	UNIT ASSEMBLY - STATION 4
399	2	0400426	5/8"-11 GR 8 NYLOK NUT YZ PLT
400	2	0400503	5/8" FLATWASHER GR8 YZ PLT
401	12	0400998	SCREW, BHSCS 3/8"-16 X 1-1/2" Z
402	12	0402121	3/8" LOCKWASHER 316 SS
403	1	0717947	COVER-DECK PANEL LEFT FRONT
404	1	0717948	COVER-DECK PANEL RIGHT FRONT
405	1	24779003	BOOM ASSEMBLY
406	1	24779032	UNIT ASSEMBLY - STATION 3
407	2	9044409	5/8"-11 X 2 1/4" HHCS PL GR8
408	2	945351500	PIN WELDMENT LOWER LIFT CY
--	--	24779003	BOOM ASSEMBLY
409	2	0300113	GREASE FITTING, 1/4"-28 STRAIGHT
410	1	0301895	GREASE FITTING, STR 1/8 PTF
411	16	0301949	3/8" OD SYN FLEX HOSE 100'
412	2	0303490	PAD-WEAR 1/2" X 1" X 4"
413	2	0400059	1/4"-20 X 5/8" HHCS GR5 ZP
414	4	0400122	3/8"-16 X 1.25" HHCS GR5 ZP
415	2	0400126	3/8"-16 X 1" HHCS GR5 ZP.
416	2	0400133	3/8"-16 X 3" HHCS GR5 ZP
417	2	0400349	3/8"-16 X 3/4" FLT SOC HD
418	2	0400392	3/8"-16 NYLOK HEX NUT ZINC
419	2	0400452	1/4" HELICAL LCKWASHR ZP
420	4	0400480	3/8" FLATWASHER ZP
421	2	0400482	3/8" HELICAL LCKWSHR - ZP
422	4	0400990	SET SCRW, 1/2"-13 X 1/2" SKT, CUP PT
423	1	0906490	KIT - EXT. CYLINDER (7035)
424	3	24773012	SHEAVE - 10" W/GREASE FITTING
425	1	24777117	PLATE - LUBE MOUNT
426	2	24777118	SHAFT - SHEAVE
427	6	24777120	SPACER - SHEAVE
428	1	24778008	OUTER BOOM WELDMENT
429	1	24778009	INNER BOOM WELDMENT
430	2	24779020	PIN ASSEMBLY - CABLE KEEPER
431	1	9012549	CONNECTOR-MALE 3/8TUBEX1
432	1	9012552	BULKHEAD ADAPTER 1/8M-1/8F NPT
433	1	9012584	ELBOW-1/4NPT X 3/8TUBE 9
434	1	930100002	LOWER WEAR PAD-RECOVERY

REF. NO.	NO. REQ'D	PART NUMBER	DESCRIPTION
--	--	24779003	BOOM ASSEMBLY (cont'd)
435	1	945030001	PAD RETAINING PLATE-UPPE
436	1	945030004	UPPER WEAR PAD-RECOVERY
--	--	0906490	KIT - EXT. CYLINDER (7035)
437	2	0301529	HOSE HYD, 58"
438	2	0302276	FITTING, ELB 90 DEG
439	1	0306743	CYL - BOOM EXTEND
440	2	0400132	3/8"-16 X 1.5" HHCS GR5 ZP
441	2	0400482	3/8" HELICAL LCKWSHR - ZP
442	1	0715951	PIN - EXT CYL BASE
443	1	0715952	PIN - EXT CYL ROD
444	2	915040501	CLAMP PLATE
445	1	930105000	SPIDER CLAMP - TOP WELDMENT
446	4	HD0151	SNAP RING, 2"INTERNAL
--	--	24779020	PIN ASSEMBLY - CABLE KEEPER
447	1	0301861	QUICK PIN, LINCH -B7932 PL 7/16
448	1	0400568	3/8" X 3" ROLL PIN ZP
449	1	24777119	PIN - CABLE KEEPER
--	--	24779032	UNIT ASSEMBLY - STATION 3
450	32	0300058	HOSE, 1 SUCTION 16C4
451	8	0300188	CLAMP, 1-1/2" HOSE
452	1	0301113	HOSE HYD, 82"
453	1	0301388	FITTING, 90ELL, 8MJ-8MB90
454	2	0301470	FITTING, 90ELB 6MJ-8MB90
455	1	0301730	VALVE, DOUBLE HOLDING
456	2	0301895	GREASE FITTING, STR 1/8 PTF
457	4	0302056	HOSE HYD, 183"
458	2	0302065	FITTING, 6-FJ CAP
459	1	0302508	FITTING, ELL 8MJ-8MB 90LL
460	2	0302575	FITTING-BULKHEAD RUN TEE
461	1	0302610	HOSE HYD, 36"
462	2	0303017	FITTING, CONNECTOR
463	2	0303188	HOSE HYD, 75" LG
464	2	0307042	FITTING, ORIFICE(6MJ-6MBR-3/64)
465	22	0307420	SLEEVE, NYLON PROTECTIVE-24HG
466	2	0307980	ELL, 90 UNION MALE 1869X6X2 WH
467	2	0400078	1/4-20X2 HHCS GR5 ZP
468	2	0400082	1/4-20 X 1.12 EYE BOLT
469	2	0400191	1/2-13X3.75 HHCS GR5 ZP
470	8	0400288	3/4-10X2.5HHCS GR 8GOLD
471	8	0400306	7/8-9X3HHCS GR 8 GOLD
472	2	0400366	1/4-20 HEX NUT ZP
473	4	0400367	1/4-20 NYLOK HEX NUT ZP
474	10	0400392	3/8-16 NYLOK HEX NUT ZINC
475	2	0400408	1/2-13 NYLOK HEX NUT ZP
476	8	0400430	3/4-10 NYLOK HEXNUT ZP

Section I - PARTS (cont'd)

MR-30 PARTS LIST

REF. NO.	NO. REQ'D	PART NUMBER	DESCRIPTION
--	--	24779032	UNIT ASSEMBLY - STATION 3 (cont'd)
477	8	0400437	7/8-9 NYLOK HEX GR 8 ZP
478	2	0400451	1/4 FLATWASHER ZP
479	10	0400480	3/8 FLATWASHER ZP
480	2	0400492	1/2" FLATWASHER ZP
481	2	0400998	SCREW, BHSCS 3/8-16 X 1-1/2 Z
482	2	0703484	PULLEY, HOSE TENSIONER
483	2	0703487	BRACKET, HOSE TENS.PULLEY
484	4	0703488	WASHER, HOSE TENS.PULLEY
485	1	0806552	ANGLE MTG. WLDT REAR DECK COV
486	1	24773027	HOSE ASSEMBLY, 120" LG
487	1	24779012	CONTROL VALVE ASSEMBLY
488	1	24779015	UNDERLIFT ASSEMBLY
489	1	24779021	OUTRIGGER VALVE ASSEMBLY
490	1	24779031	UNIT ASSEMBLY - STATION 2
491	2	9012552	BULKHEAD ADAPTER 1/8M-1/8F NPT
--	--	24779012	CONTROL VALVE ASSEMBLY
492	6	0301445	FITTING, EXTENDED
493	1	0301522	FITTING, CONN. 6MJ-6MB
494	1	0301545	FITTING, ELB 12MJ-12MB 90
495	2	0301620	FITTING, HYD. 6MJ - 6MB90
496	1	0301767	FITTING, HOSE BARB 1FJIX
497	1	0301780	FITT. CONNECTOR 8MJ-12MB
498	1	0302056	HOSE HYD, 183"
499	1	0302083	16 MJ - 12 MB 90 ELBOW
500	1	0302169	FITTING O-RING CONNECTOR
501	1	0302170	FITTING, SWV 90 DEG BENT
502	1	0302205	GAUGE, FLUSH MNTG-6000 PSI
503	2	0302532	HOSE HYD, 183"
504	1	0302577	FITTING-FEM CONN 6MJ-4FP
505	8	0302585	HOSE HYD, 54"
506	1	0302826	FITTING, TEE
507	4	0302828	FITTING, CONNECTOR
508	1	0302829	FITTING, ADAPTOR
509	1	0302926	HOSE HYD, 29" LONG
510	14	0303176	FITTING, CONNECTOR
511	9	0310148	BOOT, CONTROL HANDLE
512	8	0310289	FITTING-LONG ADAPTER 6MJ-8MBLL
513	9	0310398	HANDLE, DIVERTER VALVE
514	4	0400118	5/16-18X3/4 HHCS GR5 ZP
515	4	0400382	5/16-18 NYLOK HEX NUT ZP
516	1	24773001	VALVE - PROPORTIONAL CONTROL
517	1	24773002	10-FUNCTION RADIO REMOTE CONT
518	1	24773017	HOSE ASSEMBLY 140"LG
519	1	24773018	HOSE ASSEMBLY 140"LG
520	1	24773019	HOSE ASSEMBLY 84"LG
521	1	24773020	HOSE ASSEMBLY 84"LG
522	1	24773026	REMOTE CONTROL - MR-30

Section I - PARTS (cont'd)

MR-30 PARTS LIST

REF. NO.	NO. REQ'D	PART NUMBER	DESCRIPTION
-- 523	-- 7	24779012 AWS-6821-A	CONTROL VALVE ASSEMBLY (cont'd) HOSE ASSEMBLY-PRESSURE
-- 524	-- 2	24779015 0300110	UNDERLIFT ASSEMBLY SNAP RING, 1" 5100-100
525	5	0300113	GREASE FITTING, 1/4-28 STRAIGHT
526	4	0300329	SNAP RING, EXTERNAL 2
527	1	0300644	HOSE CLAMP, 8 68452/I
528	6	0301620	FITTING, HYD. 6MJ - 6MB90
529	1	0301662	HOSE HYD, 120" 6M1T 6FJX-6FJX
530	5	0301895	GREASE FITTING, STR 1/8 PTF
531	2	0301924	SLIDE PAD-BOOM-SIDE
532	14.5	0301949	3/8" OD SYN FLEX HOSE 100'
533	1	0302000	HOSE HYD, 24"
534	1	0302813	HOSE HYD, 108" LG
535	2	0303187	HOSE HYD, 141" LG
536	1	0303892	SLIDE PAD-BOOM-SIDE
537	1	0306746	CYL HYD - FOLD
538	1	0307106	FITT, CONNECTOR 4MB-6FB
539	1	0307107	VALVE, HOLDING 4000 PSI SAE
540	2	0307351	SLIDE-PAD SDU/2 U/L
541	1	0307417	TUBE ASSEMBLY, HYD 3/8 ODX.035WX3"
542	2	0307980	ELL, 90 UNION MALE 1869X6X2 WH
543	1	0310477	CYL HYD-5.5 BORE/23.38 STROKE
544	1	0310478	CYLINDER - HYD 6 BORE X 9 STR
545	2	0400078	1/4-20X2 HHCS GR5 ZP
546	4	0400126	3/8-16X1 HHCS GR5 ZP.
547	2	0400141	3/8-16X7/8 HHCS GR5 ZP
548	1	0400219	1/2-13X4.5HHCS GR5 ZP
549	4	0400237	1/2-13X4HHCS GR5 ZP
550	4	0400248	5/8-11X1HHCS GR 8 ZP
551	2	0400367	1/4-20 NYLOK HEX NUT ZP
552	5	0400408	1/2-13 NYLOK HEX NUT ZP
553	2	0400451	1/4 FLATWASHER ZP
554	1	0400480	3/8 FLATWASHER ZP
555	6	0400482	3/8" HELICAL LCKWSHR - ZP
556	4	0400508	5/8" HELICAL LCKWSHR ZP
557	1	0703001	BRKT, MTG, CHECK VALVE
558	2	0703484	PULLEY, HOSE TENSIONER
559	4	0703488	WASHER, HOSE TENS.PULLEY
560	6	0703734	SHIM, SIDE PLATE, OUT.BOOM
561	1	0709242	PIN - MAIN PIVOT
562	1	0714240	PIN - FOLD CYLINDER
563	4	0714388	ANGLE - NYLON SHEAVE
564	2	0718912	SHIM, VERTICAL BOOM GUIDE
565	1	0722412	PIN - U/L PIVOT
566	1	0722413	PIN - LIFT CYLINDER
567	1	0722414	PIN - TILT CYLINDER BASE
568	1	0722415	PIN - TILT CYLINDER ROD

Section I - PARTS (cont'd)

MR-30 PARTS LIST

REF. NO.	NO. REQ'D	PART NUMBER	DESCRIPTION
--	--	24779015	UNDERLIFT ASSEMBLY (cont'd)
569	1	0804035	SUPPORT-LEFT PIVOT WLDMT
570	1	0804036	SUPPORT-RIGHT PIVOT WLDMT
571	1	0806756	PIN WELDMENT - FOLD CYLINDER
572	1	0904095	CROSSBAR ASSEMBLY
573	1	24778026	TILT CYLINDER BRACKET WELDMENT
574	1	24778027	VERTICAL OUTER MAST WELDMENT
575	1	24778028	VERTICAL INNER MAST WELDMENT
576	1	24779016	HORIZONTAL BOOM ASSEMBLY
577	2	805040011	VERTICAL BOOM GUIDE PAD
578	2	9012549	CONNECTOR-MALE 3/8TUBEX1
579	2	9012552	BULKHEAD ADAPTER 1/8M-1/8F NPT
580	2	9012584	ELBOW-1/4NPT X 3/8TUBE 9
581	1	9012594	FITT, HYD RUN TEE, 6MJX6MBX6MJ
582	8	9043973	5/16-18X1 1/2 FL.HD.SOC.
583	4	9044434	3/8-16X1 NC FLAT SOCKET HD CAP
584	2	945030004	UPPER WEAR PAD-RECOVERY
--	--	0904095	CROSSBAR ASSEMBLY
585	1	0301197	COMP.SPRING, CROSS BAR, FI
586	1	0301398	STEEL BALL, 1-3/16 DIA
587	1	0303087	"O" RING - PIVOT PIN
588	1	0303105	THRUST WASHER - 1/8 THK
589	1	0303106	THRUST WASHER - 1/16 THK
590	2	0400354	5/8-11X3.5SKTHDCAPSCREW
591	2	0400508	5/8" HELICAL LCKWSHR ZP
592	1	0710054	PIN - TOP HALF PIVOT
593	1	0710055	PIN - BOTTOM HALF - PIVOT
594	1	0710195	SPACER - DETENT SPRING
595	1	0803579	CROSSBAR WELDMENT
--	--	24779016	HORIZONTAL BOOM ASSEMBLY
596	7	0300113	GREASE FITTING, 1/4-28 STRAIGHT
597	2	0301620	FITTING, HYD. 6MJ - 6MB90
598	2	0302538	BUSHING - U/L
599	3	0302561	SLIDE PAD
600	1	0400107	5/16-18X2.5 HHCS GR5 ZP
601	8	0400228	3/8-24X5/8 BUTTON HEAD
602	8	0400216	1/2-20X1 HHCS GR8 ZP
603	1	0400382	5/16-18 NYLOK HEX NUT ZP
604	8	0400508	5/8" HELICAL LCKWSHR ZP
605	1	0707271	PIN, EXT.CYL.BASE END
606	4	24777093	PLATE - TOP SPACER
607	4	24777095	PLATE - BOLT ON STOP/GUIDE
608	1	24778010	OUTER UNDERLIFT BOOM WLDMT
609	1	24778011	2ND STAGE UNDERLIFT BOOM WLDMT
610	1	24779019	U/L INNER BOOM ASSEMBLY
611	4	930150004	BOTTOM PADS
612	1	HD130	CYL HYD BOOM EXT MD10000

Section I - PARTS (cont'd)

MR-30 PARTS LIST

REF. NO.	NO. REQ'D	PART NUMBER	DESCRIPTION
--	--	24779016	HORIZONTAL BOOM ASSEMBLY (cont'd)
613	1	HD86	EXT. CYL.PIN WLDMT
614	1	HD89	RING, RETAINING, 1-5/16
--	--	24779019	U/L INNER BOOM ASSEMBLY
615	1	0307526	BUSHING
616	1	24778012	INNER UNDERLIFT BOOM WLDMT
	1	24779021	OUTRIGGER VALVE ASSEMBLY
617	1	0301388	FITTING, 90ELL, 8MJ-8MB90
618	13	0301522	FITTING, CONN. 6MJ-6MB
619	1	0300044	FITT, HYD CONN. 6MJ-8MB
620	1	0302508	FITTING, ELL 8MJ-8MB 90LL
621	1	0310500	HARNES - OUTRIGGER WIRING
622	4	0400143	3/8-16 X 5 1/2 HHCS GR5 ZP
623	4	0400392	3/8-16 NYLOK HEX NUT ZINC
624	1	24773016	VALVE - SOLENOID 12V O/R CTRL
--	--	24779031	UNIT ASSEMBLY - STATION 2
625	15	0301577	1/4 O.D. PLASTIC TUBING BLK
626	10	0302434	CABLE TIE - 4" 18 LB
627	15	0302495	CONVOLUTED LOOM 1/4
628	1	0307793	WIRE HARNES, 2-SPEED
629	40	0400336	1-8X3HHCS GR 8 ZP
630	40	0400522	1-1/16X2X1/8"
631	1	21473001	WINCH, DP 30K (S50)
632	1	24779004	WRECKER FRAME ASSEMBLY
633	1	24779030	UNIT ASSEMBLY - STATION 1
634	1	9010520	FITT, BRASS ELB 1/4T-1/4MP
--	--	24779004	WRECKER FRAME ASSEMBLY
635	4	0301376	CONNECTOR 8 MJ - 10 MB
636	7	0301471	HOSE HYD, 30"
637	1	0310381	ALARM, SWING (ECCO DT500)
638	4	0400066	1/4-20X3/4 HHCS GR5 ZP
639	2	0400070	1/4-20X1 HHCS GR5 ZP
640	2	0400078	1/4-20X2 HHCS GR5 ZP
641	1	0400180	1/2-13X6 HHCS GR5 ZP
642	4	0400367	1/4-20 NYLOK HEX NUT ZP
643	1	0400408	1/2-13 NYLOK HEX NUT ZP
644	6	0400451	1/4 FLATWASHER ZP
645	2	0719162	PLATE, ACCESS COVER
646	1	0722103	SHAFT - BOOM PIVOT
647	1	0910238	SWING LIMIT VALVE ASSEMBLY - 1140
648	1	24773009	INDICATOR - RATED CAPACITY
649	1	24773023	VALVE - CROSS-OVER RELIEF
650	1	24778004	WRECKER FRAME WELDMENT
651	1	24779006	CRANE WINCH ASSEMBLY
652	1	24779007	LIFT CYLINDER ASSEMBLY

Section I - PARTS (cont'd)

MR-30 PARTS LIST

REF. NO.	NO. REQ'D	PART NUMBER	DESCRIPTION
--	--	24779004	WRECKER FRAME ASSEMBLY (cont'd)
653	1	24779008	SWING DRIVE ASSEMBLY
654	1	24779009	HYDRAULIC SWIVEL PLATE ASSEMBLY
--	--	24779006	CRANE WINCH ASSEMBLY
655	2	0303239	FITTING, CONNECTOR
656	8	0400426	5/8-11 GR 8 NYLOK NUT YZ PLT
657	16	0400503	5/8" FLATWASHER GR8 YZ PLT
658	1	24773005	WINCH - CRANE
659	2	24773021	HOSE ASSEMBLY 72"LG
660	8	24774002	5/8-11 X 3.0"LG HHCS GR8 ZP
--	--	24779007	LIFT CYLINDER ASSEMBLY
661	4	0300113	GREASE FITTING, 1/4-28 STRAIGHT
662	2	0300644	HOSE CLAMP, 8 68452/I
663	4	0300787	HOSE HYD, 53" LG
664	2	0301377	FITTING, TEE, 3/8" JIC
665	4	0301388	FITTING, 90ELL, 8MJ-8MB90
666	2	0301471	HOSE HYD, 30"
667	4	0301664	HOSE HYD, 64"
668	2	0301995	FITTING, ADAPTER STR
669	2	0302052	FITTING, RUN TEE
670	4	0302275	FITTING, CONN 8MJ-6MB W/STEP
671	2	0302276	FITTING, ELB 90 DEG
672	2	0302568	HYD TUBING
673	4	0302796	FITTING, TEE
674	2	0302926	HOSE HYD, 29" LONG
675	2	0306747	CYL - BOOM LIFT
676	2	0307106	FITT, CONNECTOR 4MB-6FB
677	2	0307107	VALVE, HOLDING 4000 PSI SAE
678	2	0307614	TUBING-HYD ASSEMBLY 1/2" DIA 7035
679	4	0400078	1/4-20X2 HHCS GR5 ZP
680	2	0400206	1/2-13X5 HHCS GR5 ZP
681	2	0400219	1/2-13X4.5HHCS GR5 ZP
682	4	0400367	1/4-20 NYLOK HEX NUT ZP
683	2	0400408	1/2-13 NYLOK HEX NUT ZP
684	2	0703001	BRKT, MTG, CHECK VALVE
685	2	0708094	PIN - LIFT CYLINDER
686	2	24773014	VALVE - FLOW LIMITING (2 GPM)
687	2	24773015	FITTING - ADAPTER 8MB-8FJX
--	--	24779008	SWING DRIVE ASSEMBLY
688	2	0300041	FITTING, CONNECTOR 8MJ-8MB
689	1	0301473	HOSE HYD, 18" LG
690	1	0302695	FITTING, CONNECTOR
691	1	0303994	HOSE ASSEMBLY- 22"
692	1	0307106	FITT, CONNECTOR 4MB-6FB
693	1	0307460	FITTING, HYD 6MJ-6MB9OLL
694	1	0307651	PLANETARY DRIVE W/ BRAKE 105E

Section I - PARTS (cont'd)

MR-30 PARTS LIST

REF. NO.	NO. REQ'D	PART NUMBER	DESCRIPTION
--	--	24779008	SWING DRIVE ASSEMBLY (cont'd)
695	2	0400177	1/2-13X1.25 HHCS GR5 ZP
696	4	0400289	3/4-10X3" HHCS GR 8 GOLD
697	4	0400464	5/16" HELICAL LCKWSHR ZP
698	2	0400491	1/2" HCL LKWSHR ZP
699	4	0400511	3/4" LOCKWASHER ZP
700	4	0400512	3/4 FLAT WASHER(SPECIAL)
701	4	0410000	5/16-18 X 3-1/2 HHCS GR5 ZP
702	1	512-080001	LOAD CONTROL VALVE DIR MOTOR M
703	1	515-000101	HYDRAULIC MOTOR TC SERIES
704	1	HC1291	FITTING, 4MJ-4MB STR THR
--	--	24779009	HYDRAULIC SWIVEL PLATE ASSEMBLY
705	7	0310371	SWIVEL, INLINE - 8MJ BULKHEAD
706	2	0310372	SWIVEL, INLINE - 10MJ BULKHEAD
707	4	0400181	1/2-13X1.5 HHCS GR5 ZP
708	4	0400408	1/2-13 NYLOK HEX NUT ZP
709	4	0400492	1/2" FLATWASHER ZP
710	1	0721689	PLATE - HYDRAULIC SWIVEL MTG
--	--	24779030	UNIT ASSEMBLY - STATION 1
711	1	0300229	FITTING, ELB 8MJ-8MP90
712	1	0302052	FITTING, RUN TEE
713	2	0302170	FITTING, SWV 90 DEG BENT
714	1	0302220	BEARING A9-49N1
715	1	0302727	FITTING, HYD CONN
716	1	0302757	FITTING, CONN 8MJ - 16MB
717	2	0310432	FITTING - ADAPTER 16MJ-20MB
718	4	0400133	3/8-16X3 HHCS GR5 ZP
719	40	0400333	1-8X4.5HHCS GR 8 ZP
720	10	0400392	3/8-16 NYLOK HEX NUT ZINC
721	2	0400408	1/2-13 NYLOK HEX NUT ZP
722	2	0400467	WASH, SAE 1/2" PL HARDENED
723	4	0400482	3/8" HELICAL LCKWSHR - ZP
724	40	0400522	1-1/16X2X1/8"
725	2	0400568	3/8X3" ROLL PIN ZP
726	4	0400785	3/8-16 X 7/8" HHCS GR8 ZP
727	1	0904049	KIT-BUMPER BOOM/TAILGATE
728	1	0910430	HOUSE LOCK ASSEMBLY - 1140
729	2	24777047	PIN - OUTRIGGER LOCK
730	2	24777130	PLATE - PAD CAGE
731	1	24778001	SUBFRAME WELDMENT
732	1	24778022	SWING LIMIT WELDMENT
733	2	24779011	FRONT OUTRIGGER BEAM ASSEMBLY
734	1	24779017	REAR SPADE ASSEMBLY
735	1	24779029	RESERVOIR ASSEMBLY
736	4	880060002	NYLATRON PAD (STINGER UPPER)

Section I - PARTS (cont'd)

MR-30 PARTS LIST

REF. NO.	NO. REQ'D	PART NUMBER	DESCRIPTION
--	--	0904049	KIT-BUMPER BOOM/TAILGATE
737	2	0303481	SLIDE PAD- BUMPER
738	4	0400349	3/8-16X3/4 FLT SOC HD
--	--	0910430	HOUSE LOCK ASSEMBLY - 1140
739	1	0200052	CLEVIS LINK
740	25	0301577	1/4 O.D. PLASTIC TUBING BLK
741	1	0302231	ADJ CLEVIS 3/8" AC-218
742	1	0306698	AIR CYLINDER-1.5BORE/1.71STROK
743	6	0307612	NYLON SPACER, 5/16 THK X 5/16ID
744	2	0400066	1/4-20X3/4 HHCS GR5 ZP
745	2	0400388	3/8-24 HEX NUT ZP
746	1	0400401	7/16-20 HEX JAM NUT PL
747	2	0400452	1/4" HELICAL LCKWASHR ZP
748	1	0400540	3/32X1" COTTER PIN
749	4	0400543	1/8X3/4" COTTER PIN
750	1	0400663	CLEVIS PIN, 1/4X1-3/4 ZINC PL
751	2	0400664	CLEVIS PIN, 5/16X1-3/4 ZINC PL
752	2	0400666	CLEVIS PIN, 5/16X1-3/8 ZINC PL
753	8	0402117	5/16 FLATWASHER 316SS
754	1	0705698	ALLTHREAD, CONNECTOR
755	1	0709331	PIN - RETAINING - HOUSE LOCK
756	1	0712230	BOSS - TURNTABLE LOCK
757	4	0718297	BAR LINK - PIN LOCK
758	1	0718298	BAR LEVER - PIN LOCK
759	1	0806994	HOUSE LOCK INDICATOR WELDMENT
760	1	0807552	HOUSE LOCK COVER WELDMENT
761	2	9010024	FITT, BRASS CONN 1/4T-1/8MP
--	--	24779011	FRONT OUTRIGGER BEAM ASSEMBLY
762	2	0300110	SNAP RING, 1" 5100-100
763	4	0301487	CLAMP HOSE 1/2 COVO909
764	2	0301522	FITTING, CONN. 6MJ-6MB
765	2	0301620	FITTING, HYD. 6MJ - 6MB90
766	4	0303186	HOSE HYD, 82" LG
767	2	0303187	HOSE HYD, 141" LG
768	4	0307022	HYDRAULIC TUBING
769	4	0307023	CLAMP - SADDLE 2 3/4"PIPE
770	2	0705499	SHAFT - UPPER SPADE
771	2	24773004	CYLINDER - OUTRIGGER EXTEND
772	2	24773022	HOSE ASSEMBLY 108"LG
773	1	24778007	OUTRIGGER BEAM WELDMENT
--	--	24779017	REAR SPADE ASSEMBLY
774	4	0300044	FITT, HYD CONN. 6MJ-8MB
775	12	0300134	CLAMP, 1" HOSE INSULATED
776	2	0301861	QUICK PIN, LINCH -B7932 PL 7/16
777	2	0307843	CYL, HYD TI-S40030032PPBZ
778	8	0400066	1/4-20X3/4 HHCS GR5 ZP

Section I - PARTS (cont'd)

MR-30 PARTS LIST

REF. NO.	NO. REQ'D	PART NUMBER	DESCRIPTION
--	--	24779017	REAR SPADE ASSEMBLY (CONT'D)
779	4	0400139	3/8-16X1.5 HEX SKT SET
780	4	0400392	3/8-16 NYLOK HEX NUT ZINC
781	8	0400452	1/4" HELICAL LCKWASHR ZP
782	2	0713128	SHAFT - LOWER SPADE
783	2	0713129	SHAFT - UPPER SPADE
784	2	0715584	PLATE - REAR SPADE COVER
785	2	0715694	PIN - SPADE PIVOT
786	2	0804286	LOWER SPADE PAD WELDMENT
787	2	0804334	PIN - MULTI-POSITION
788	1	0806907	INNER SPADE WELDMENT LH
789	1	0806908	INNER SPADE WELDMENT RH REINF
790	2	9046354	SPRING PIN 1/4 X 2-1/2
--	--	24779029	RESERVOIR ASSEMBLY
791	1	0300434	FITTING, HOSE BARB, 2
792	1	0300593	FITTING, 2BL STREET
793	1	0301081	CAP PLUG PLASTIC FOR 2" ID THR
794	1	0301541	SIGHT GAGE, TYPE SVM-24
795	1	0301961	BALL VALVE 2
796	4	0302227	CENTER BONDED MOUNT
797	4	0302228	SPECIAL WASHER (LORD
798	2	0302367	PIPE NIPPLE - 2 X 4
799	1	0303155	PIPE PLUG 3/4 NPT MAGNETIC
800	1	0306921	PIPE PLUG, 2" SQ HD
801	1	0310296	FILTR HEAD ASSEMBLY W' ELEMENT
802	1	0310429	TANK COVER - FILTER & FILLER
803	1	0310430	TANK COVER & FILTER
804	24	0400121	3/8-16X3/4 HHCS GR5 ZP
805	4	0400146	3/8-16X2.25 HHCS GR5 ZP
806	4	0400391	3/8-16 HEX NUT PLAIN
807	24	0400482	3/8" HELICAL LCKWSHR - ZP
808	1	0807412	HYDRAULIC TANK WELDMENT - ROT
--	--	24779041	KIT, PUMP LWRK ROT-MR30
809	4	0300364	CLAMP-HOSE, 0.875"-2.75" 50"LBS
810	2	0300431	STRAIGHT COUPLING
811	8	0300558	HOSE, SUCTION 2"ID 100R4 (C4)
812	2	0301620	FITTING, HYD. 6MJ - 6MB90
813	1	0301388	FITTING, 90ELL, 8MJ-8MB90
814	1	0301422	FITTING, 6MJ-6MJ SMALL
815	1	0301522	FITTING, CONN. 6MJ-6MB
816	1	0301637	FITTING, FL - FLANGE
817	1	0301659	HOSE HYD, 150"
818	1	0301908	HOSE HYD, 14"
819	2	0302008	HOSE HYD, 66"
820	1	0303187	HOSE HYD, 141" LG
821	8	0303290	INSULATED CLAMP 2 1/2
822	1	0307311	FILTER SCREEN - INLINE

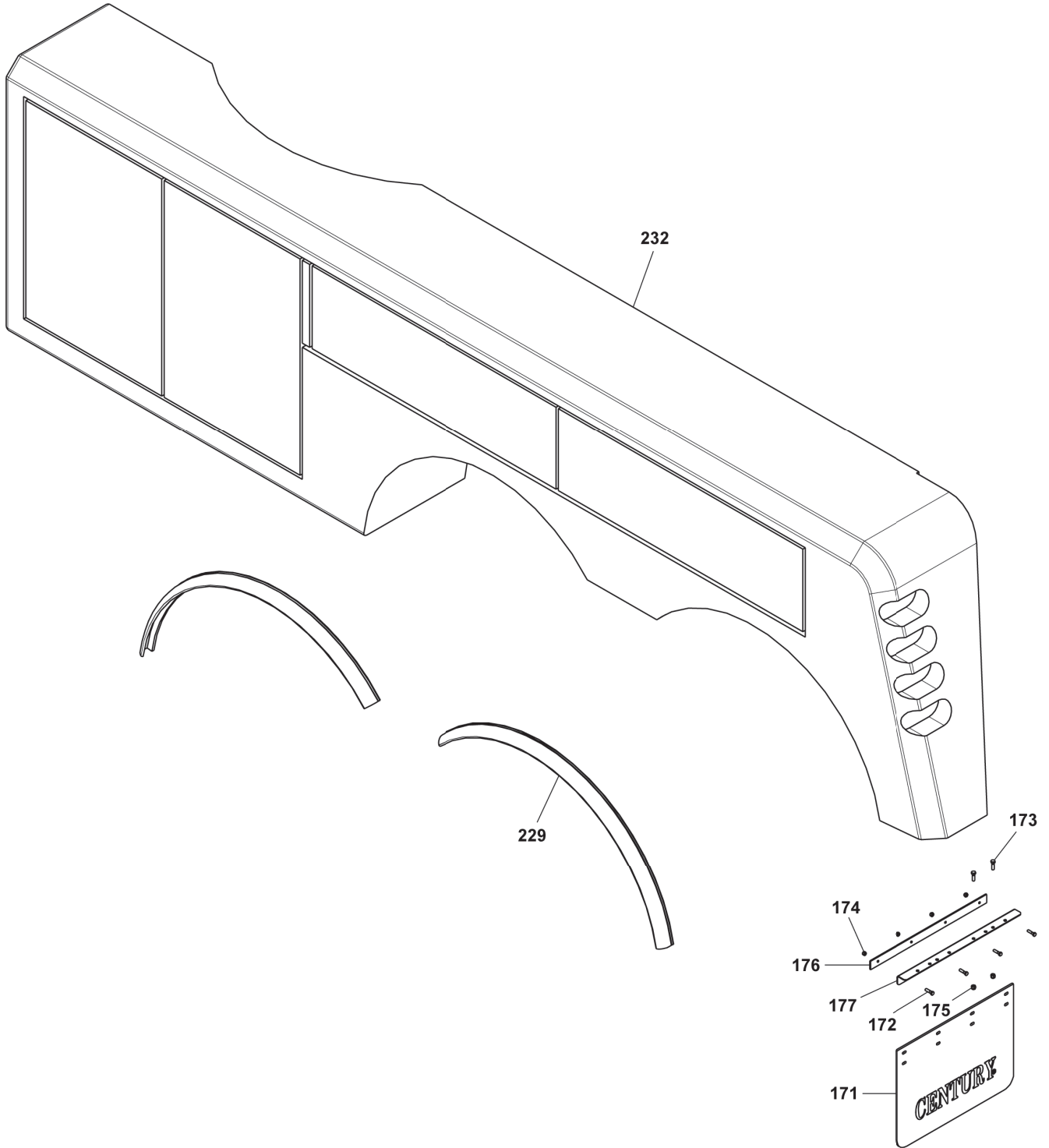
Section I - PARTS (cont'd)

MR-30 PARTS LIST

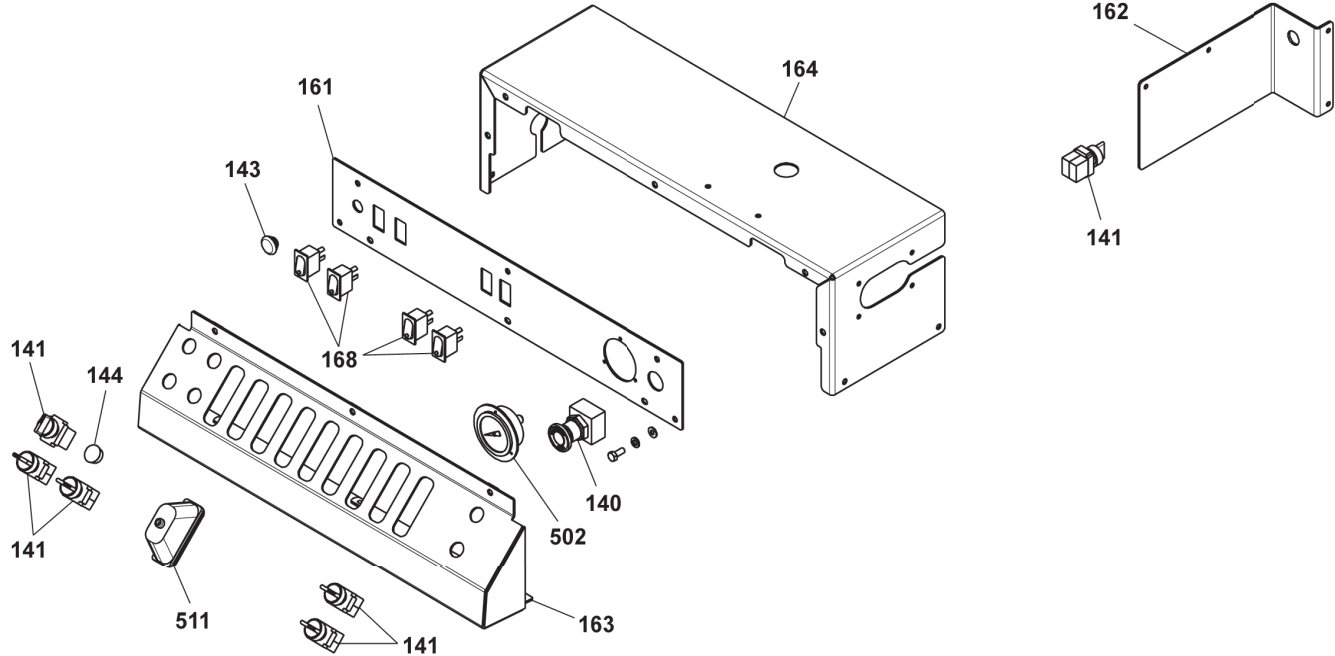
REF. NO.	NO. REQ'D	PART NUMBER	DESCRIPTION
--	--	24779041	KIT, PUMP LWRK ROT-MR30 (CONT'D)
823	1	0310200	HYD FITTING, ELL 1" W/FLANGE KIT
824	2	0400260	5/8"-11 X 2" HHCS GR5 ZP
825	2	0400506	5/8" FLATWASHER ZP
826	2	0400508	5/8" HELICAL LCKWSHR ZP
827	1	0600002	BAG, 3" X 7" POLY 4 MIL
828	1	0600007	CARTON, 11-1/8 X 6-5/8 X4
829	1	0600053	BAG-10X13 POLY4MILZIPLCK
830	2	0711438	BRACKET - HOSE
831	1	1C209	FTG-90DEG ADPTR 1/4 ORB
--	--	0910238	SWING LIMIT VALVE ASSY - 1140
832	2	0300387	PLUG, 1/2 SAE O-RING
833	4	0301388	FITTING, 90ELL, 8MJ-8MB90
834	2	0310336	VALVE, DIVERTER
835	2	0310565	SPACER, 3/8ID X 3/4OD X 3/16
836	2	0400132	3/8-16X1.5 HHCS GR5 ZP
837	6	0400367	1/4-20 NYLOK HEX NUT ZP
838	4	0400392	3/8-16 NYLOK HEX NUT ZINC
839	1	0402046	3/8-16NC X 2 HHCS SS
840	4	0402120	3/8 FLATWASHER 316 SS
841	1	0402122	3/8-16NC HEX NUT 316 SS
842	1	0402123	NUT, 3/8-16 NYLOCK SS
843	1	0721687	PLATE - SWING LIMIT CAM
844	1	0721688	ANGLE - SWING LIMIT MOUNTING
845	1	561-0380002	BEARING, BRONZE 3/8 IDX7/16 OD
846	6	9041010	1/4 NC X 2 1/4 HHCS GR8
847	1	0302052	FITTING, RUN TEE
848	2	HD0152	SNAP RING, 3" INTERNAL
849	2	0301945	GLAD HAND PLUG
850	2	0301470	FITTING, 90ELB 6MJ-8MB90
851	2	0302574	FITTING, BULKHEAD RUN TEE 8MJ-8BLKHD-8MJ W/NUT
852	2	0302052	FITTING, RUN TEE
853	2	0301790	HOSE HYD, 15"

SECTION I - PARTS (cont'd)

MR-30 BODY ASSEMBLY

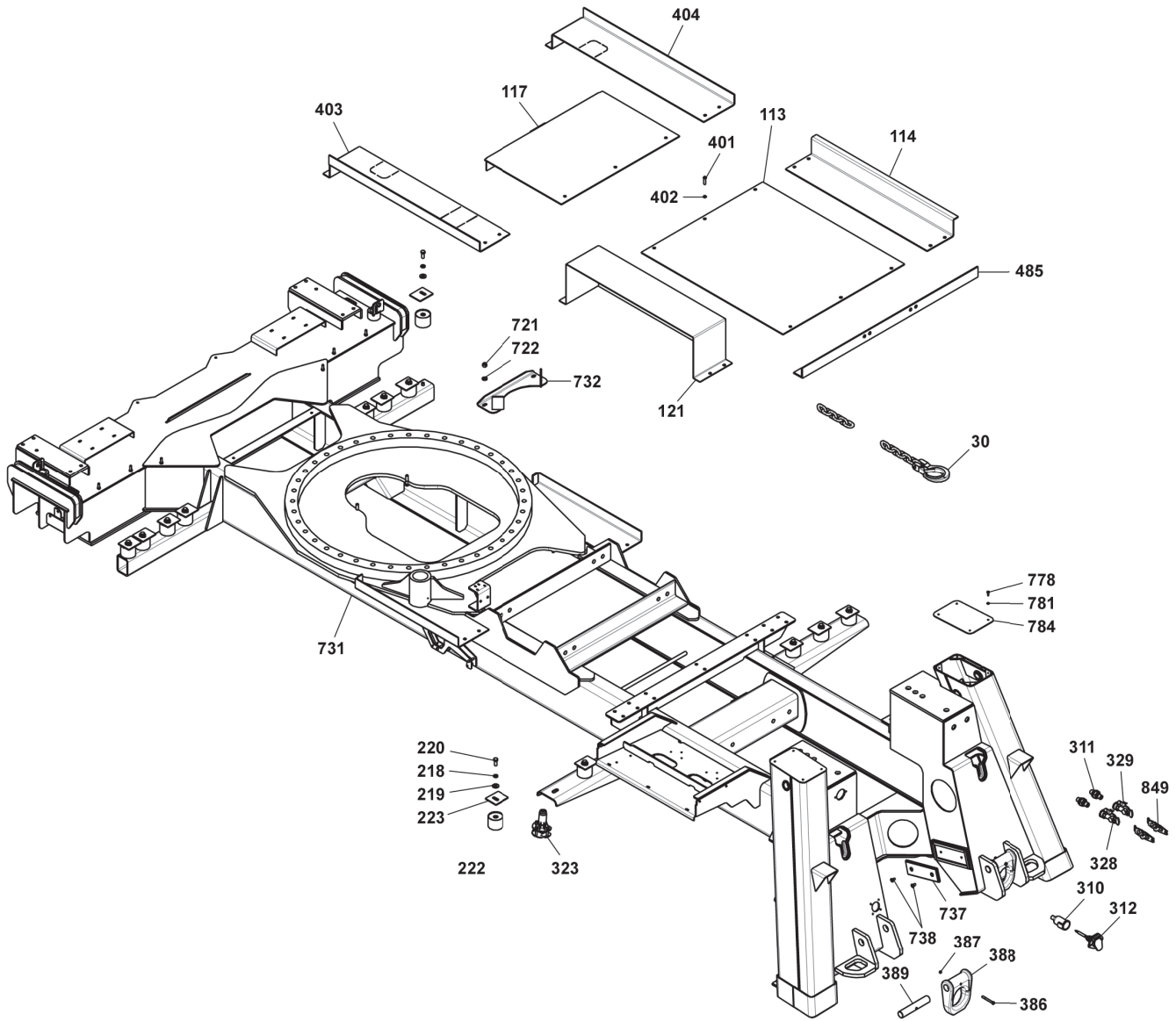


SECTION I - PARTS (cont'd)
MR-30 CONTROL PANEL ASSEMBLY



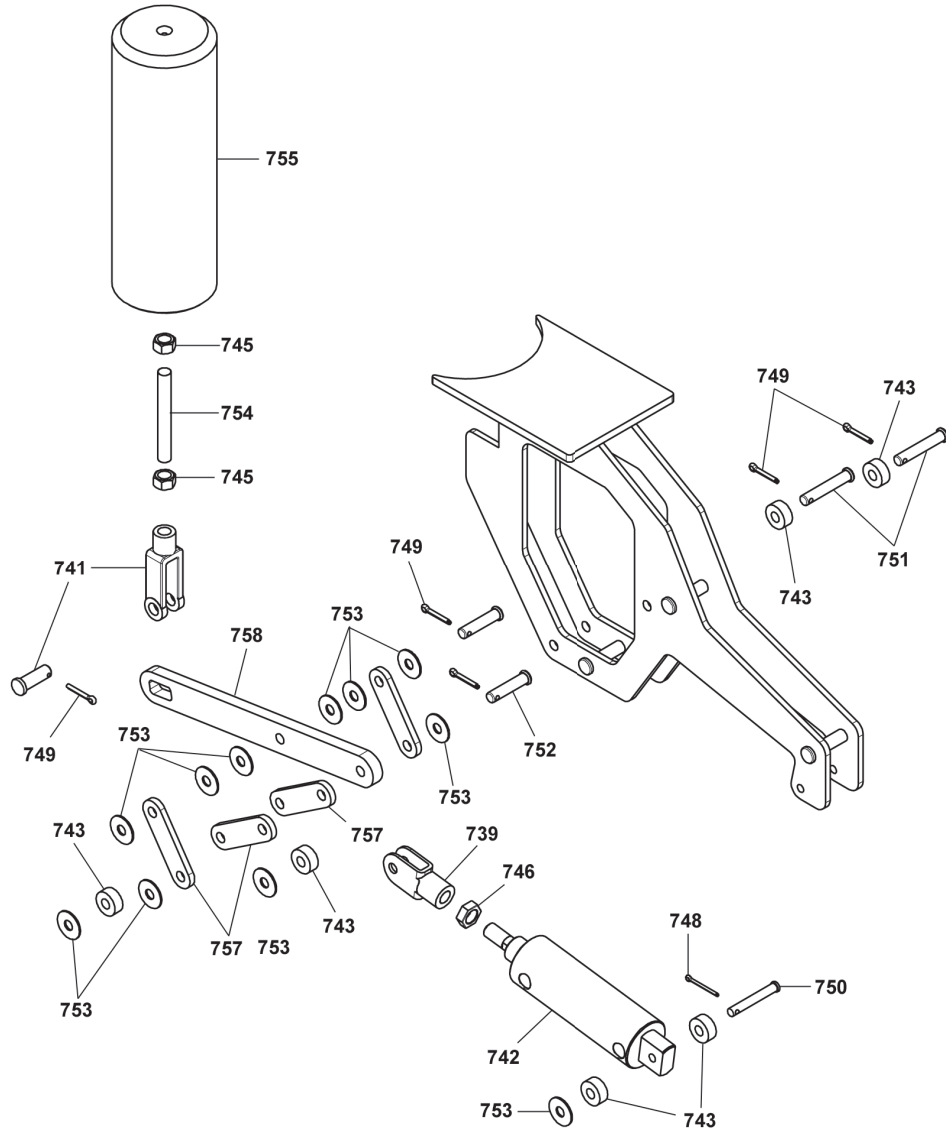
SECTION I - PARTS (cont'd)

MR-30 SUBFRAME ASSEMBLY



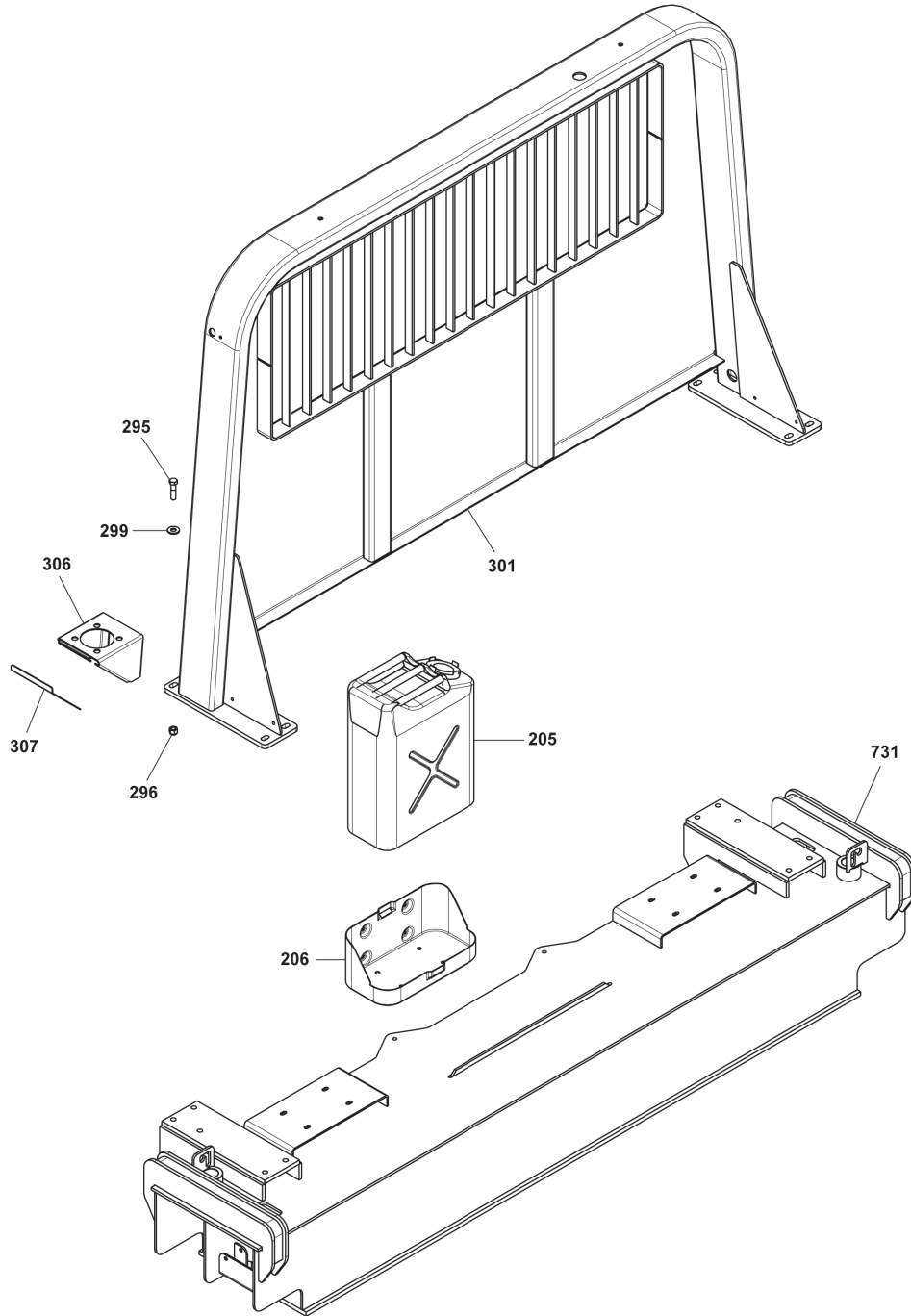
SECTION I - PARTS (cont'd)

MR-30 HOUSE LOCK ASSEMBLY



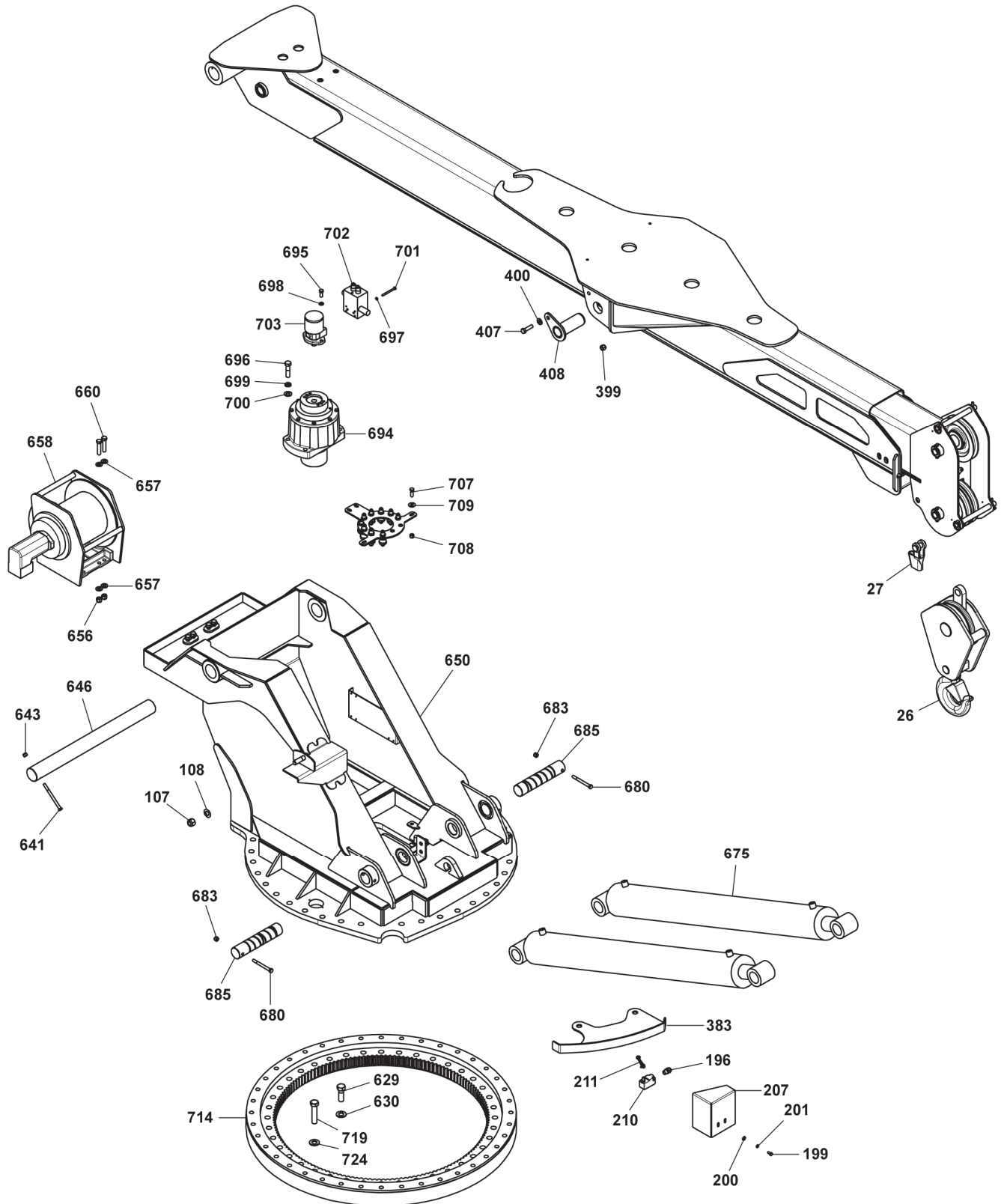
SECTION I - PARTS (cont'd)

MR-30 CAB PROTECTOR



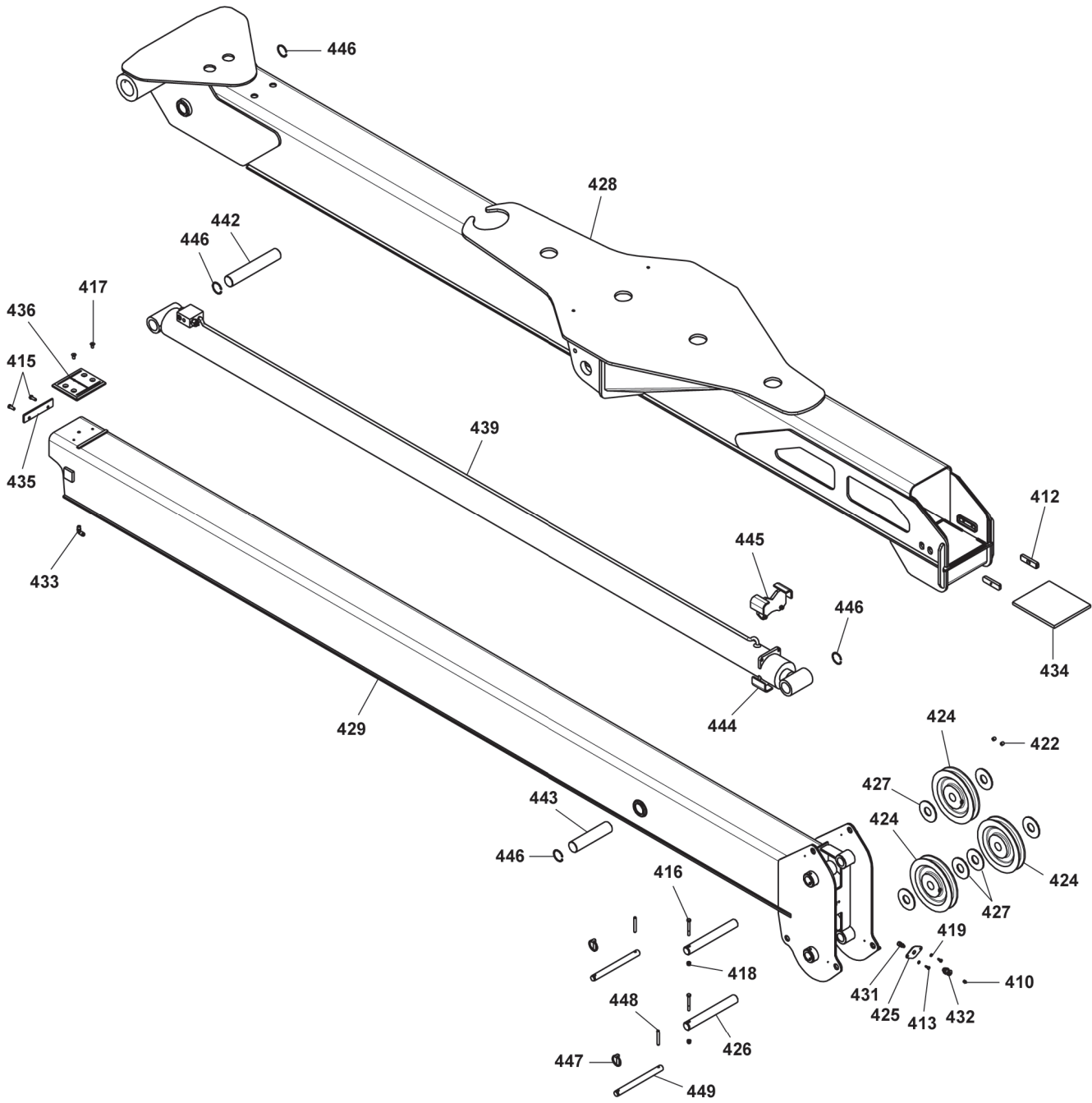
SECTION I - PARTS (cont'd)

MR-30 FRAME & BOOM ASSEMBLY



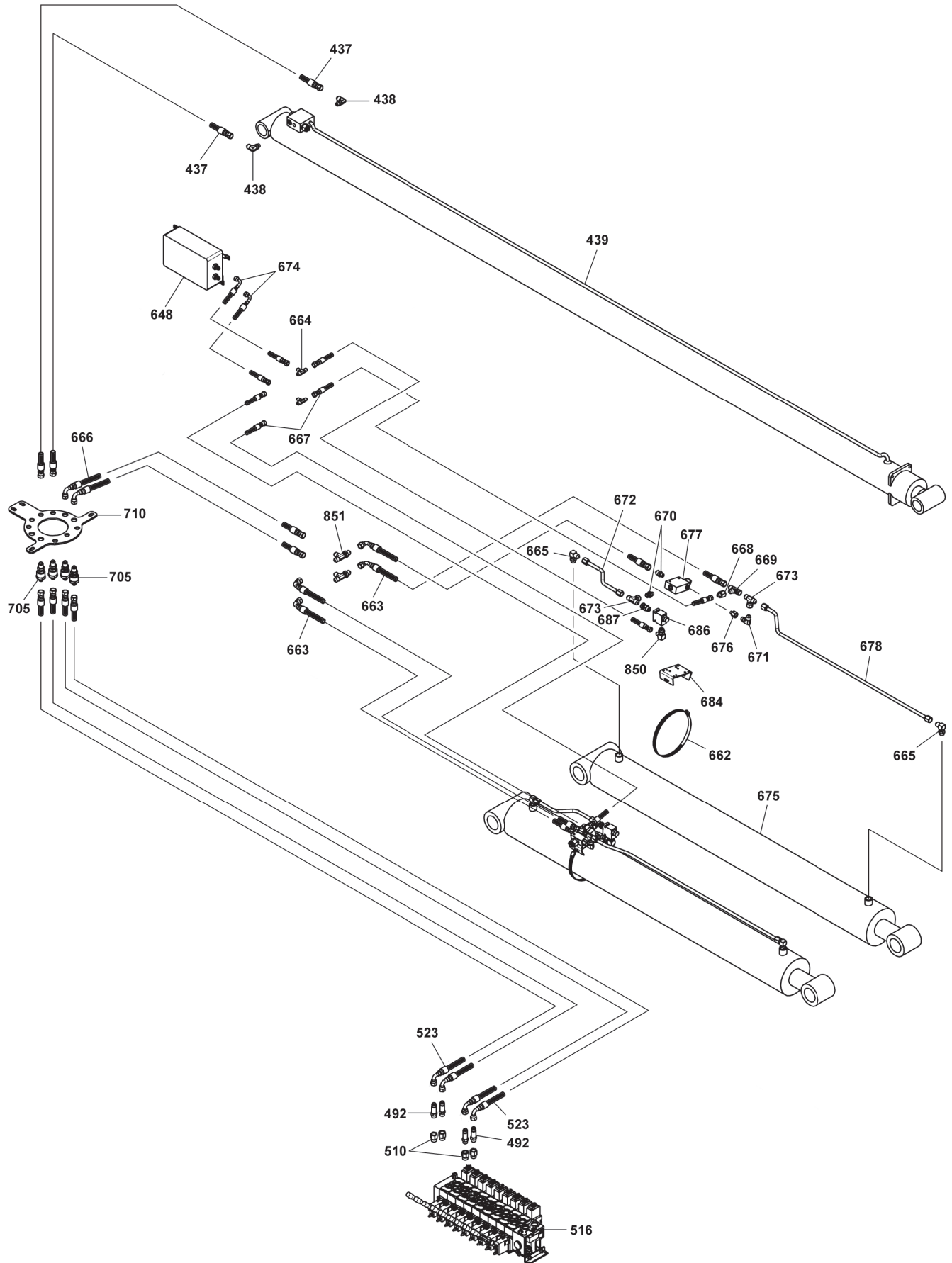
SECTION I - PARTS (cont'd)

MR-30 BOOM ASSEMBLY



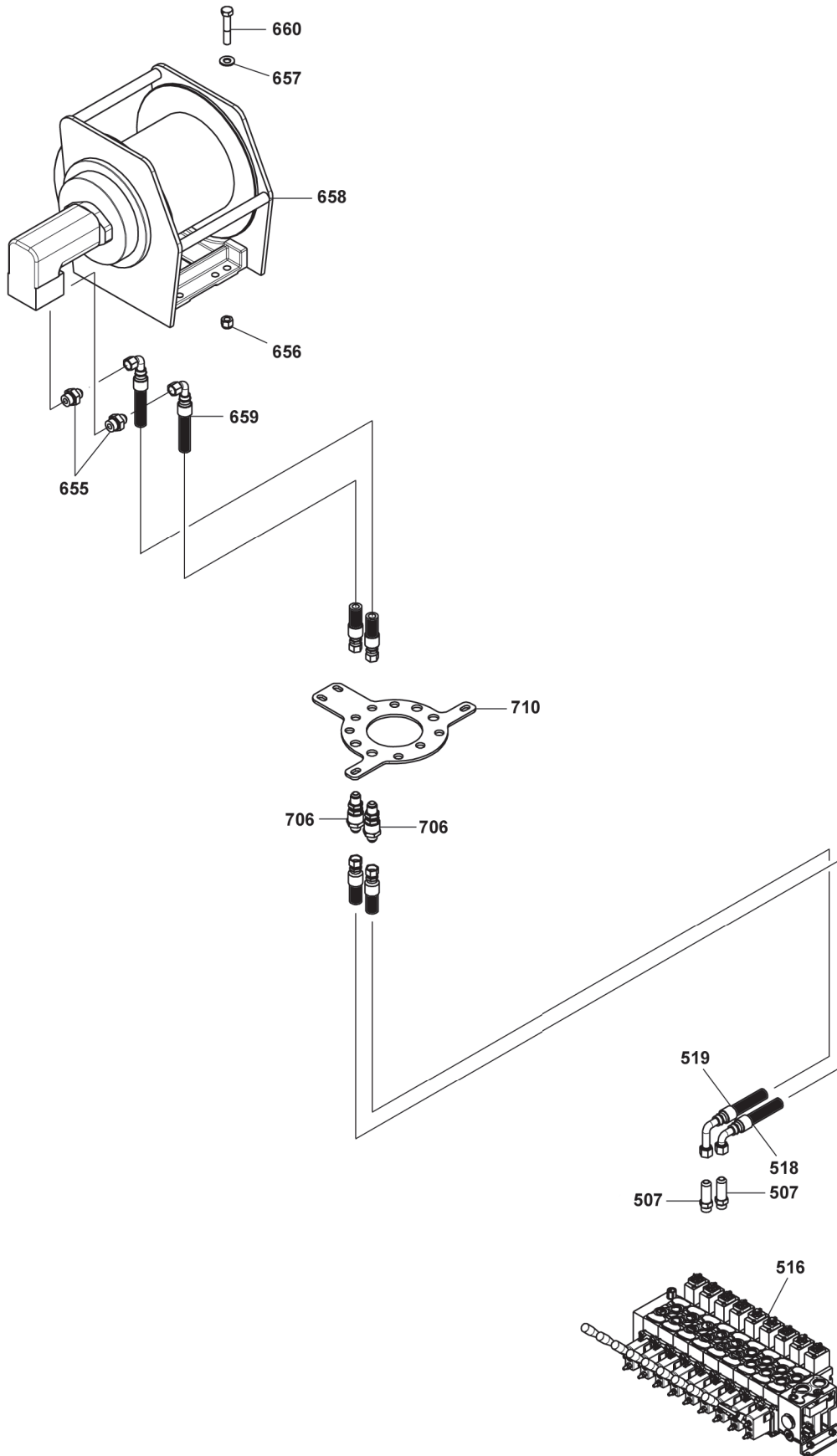
SECTION I - PARTS (cont'd)

MR-30 BOOM HYDRAULICS



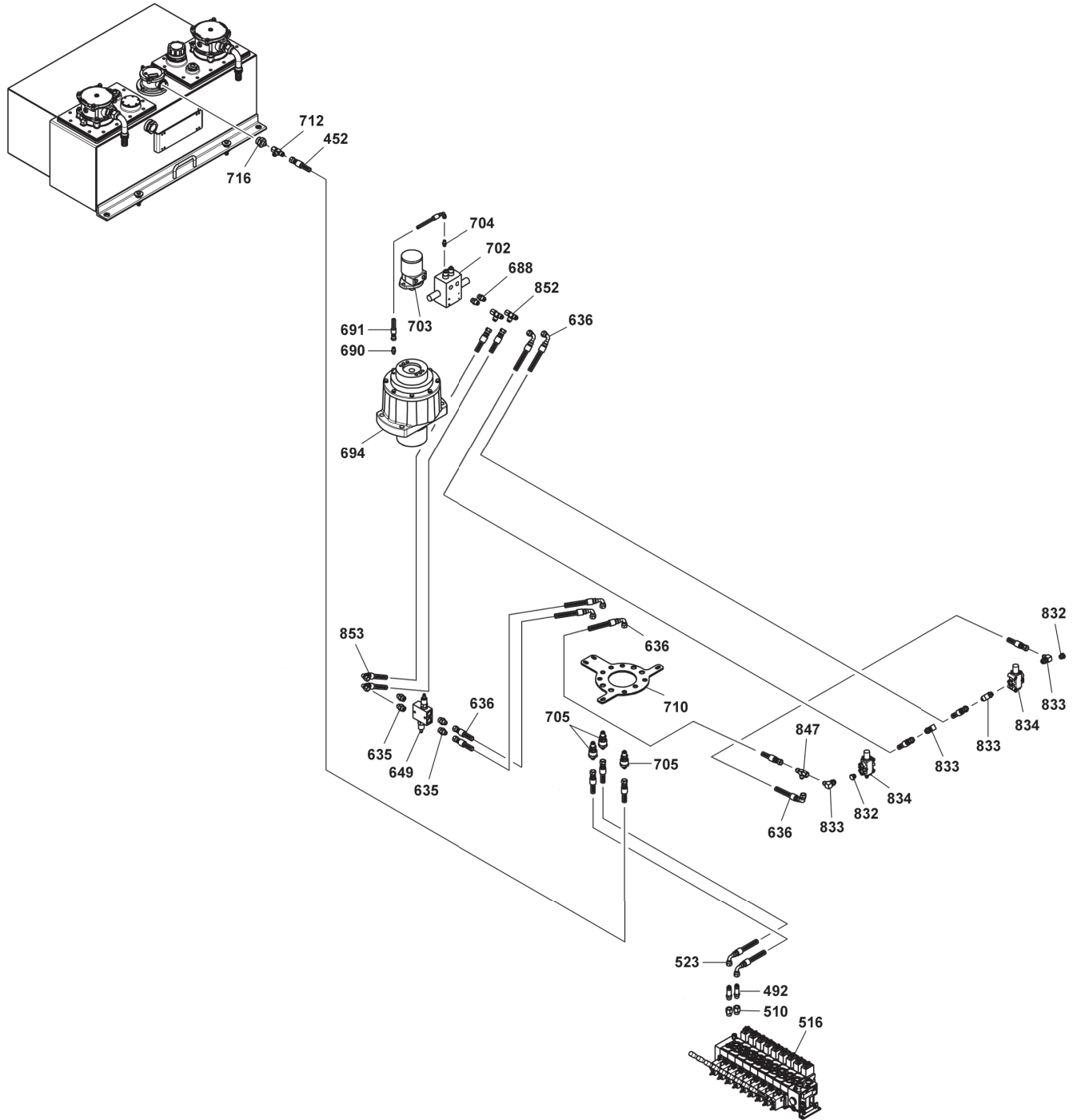
SECTION I - PARTS (cont'd)

MR-30 WINCH HYDRAULICS



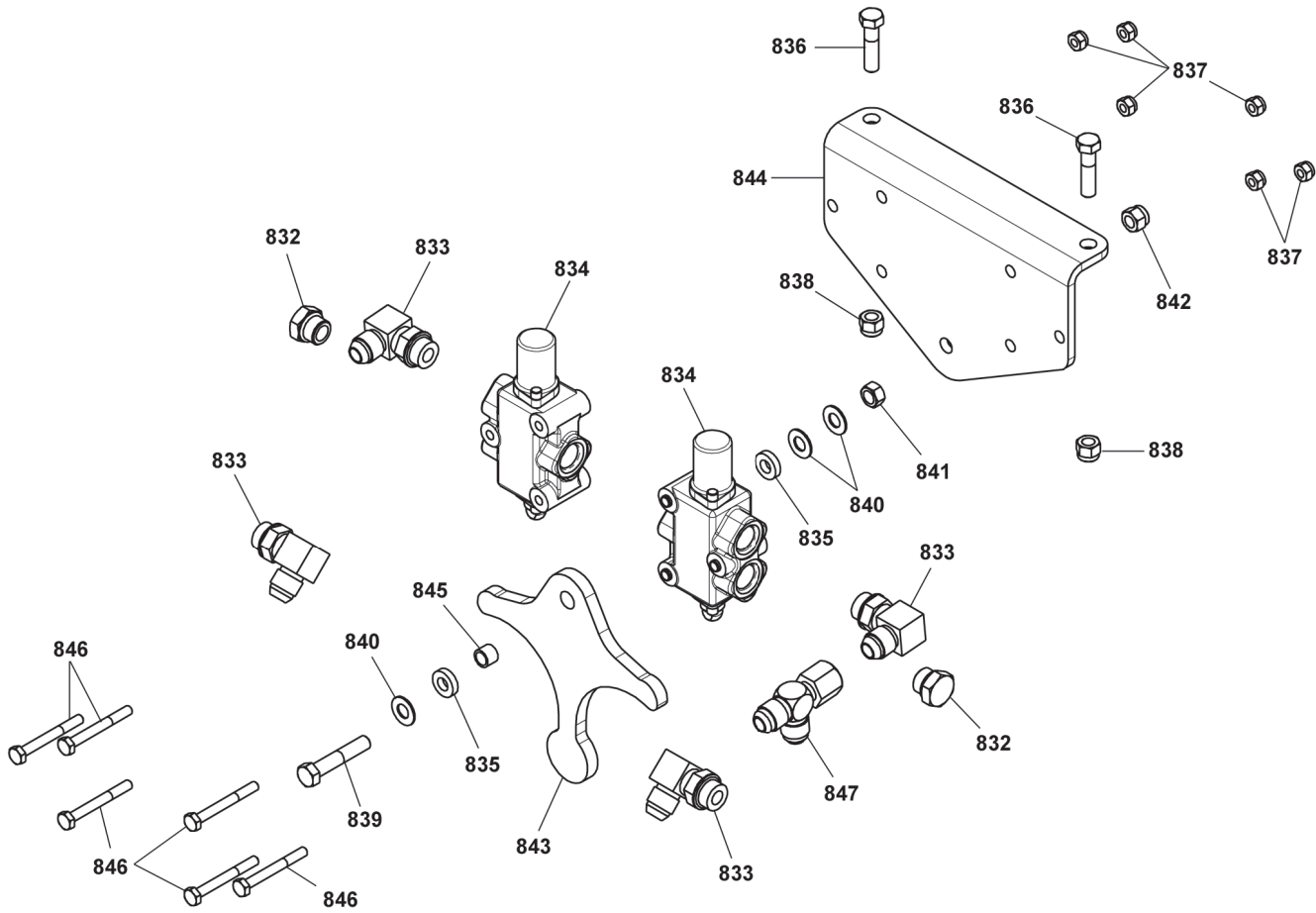
SECTION I - PARTS (cont'd)

MR-30 BOOM SWING HYDRAULICS



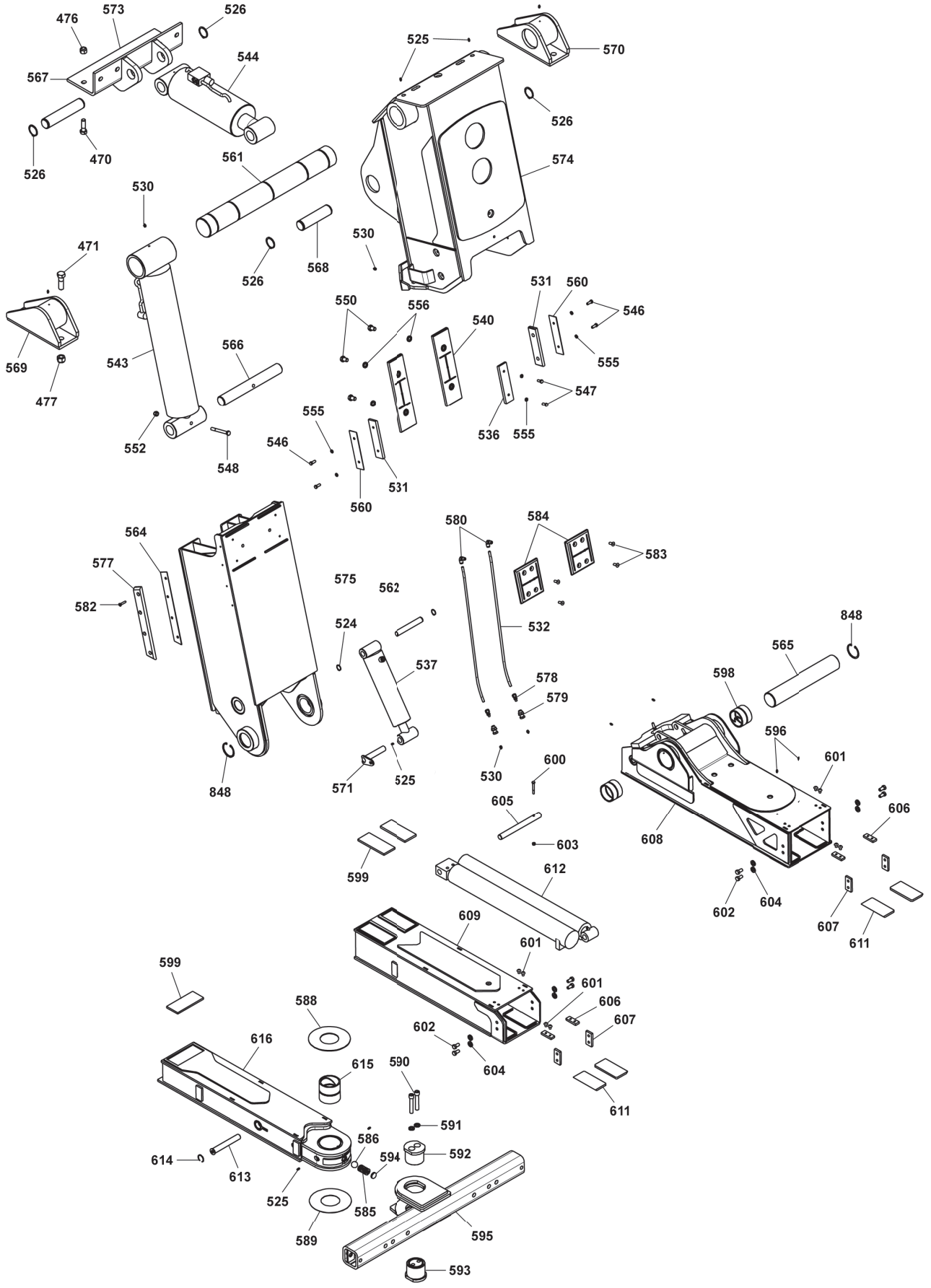
SECTION I - PARTS (cont'd)

MR-30 SWING LIMIT VALVE ASSEMBLY



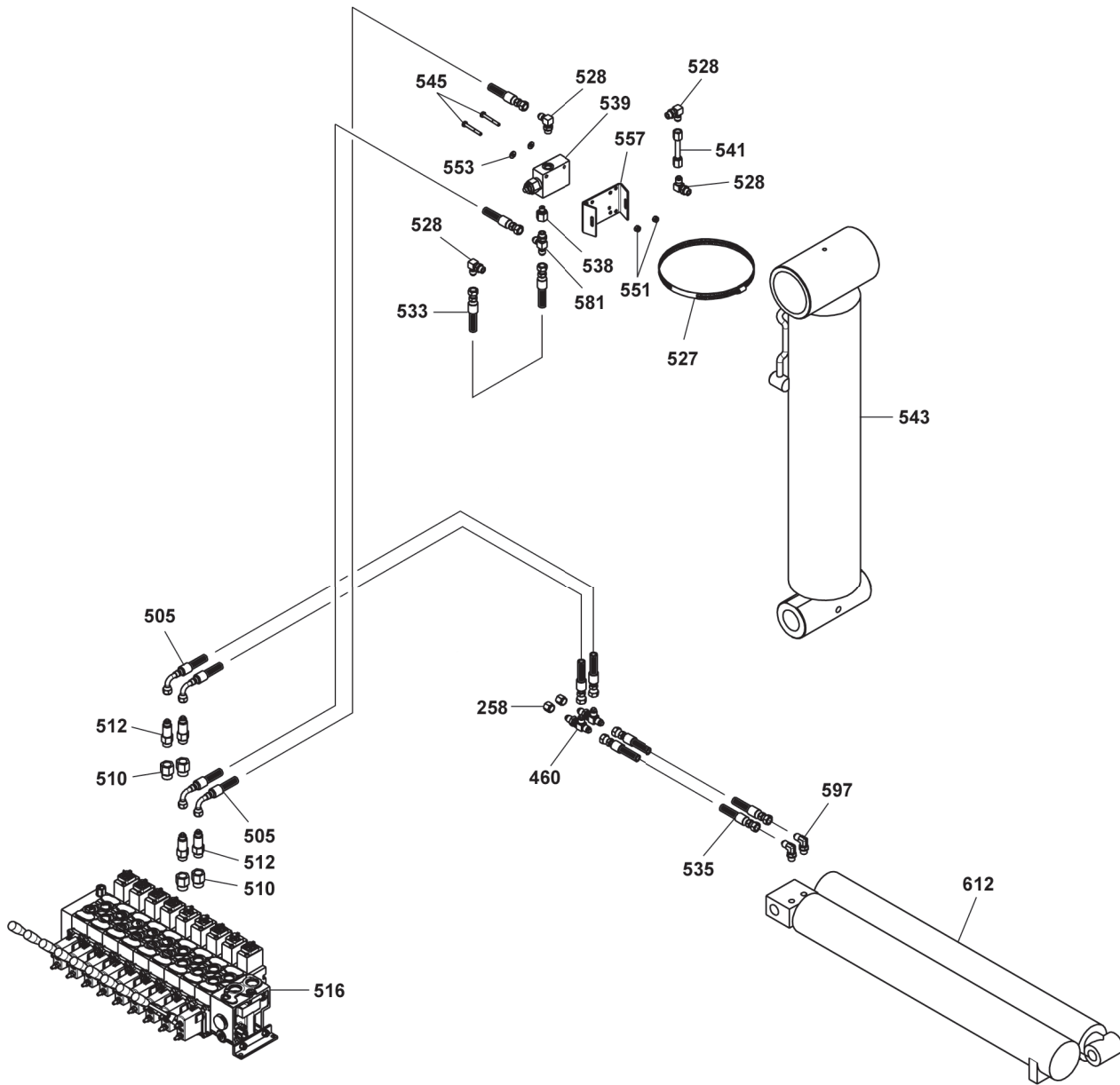
SECTION I - PARTS (cont'd)

MR-30 UNDERLIFT ASSEMBLY



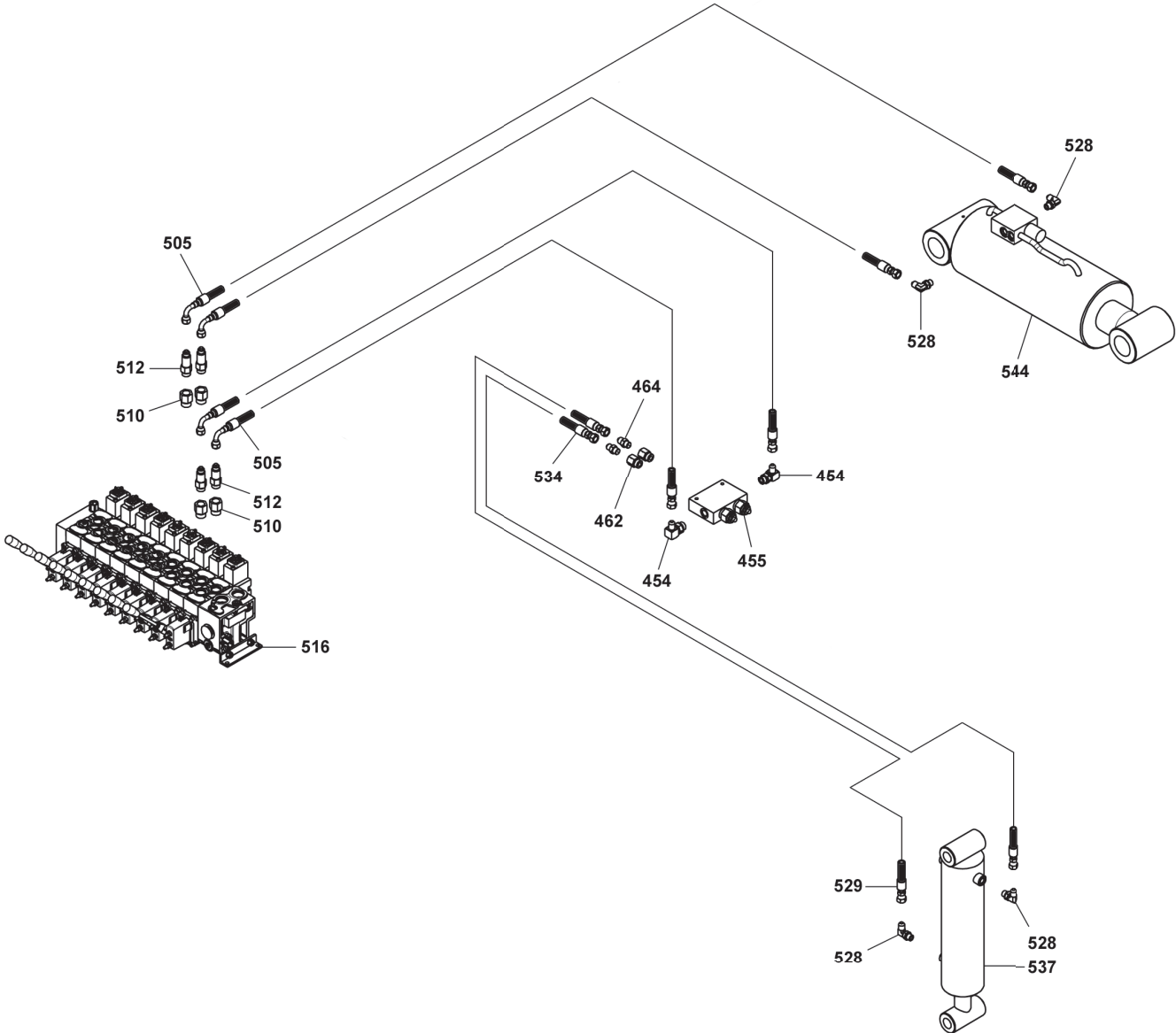
SECTION I - PARTS (cont'd)

MR-30 UNDERLIFT LIFT & EXTEND HYDRAULICS



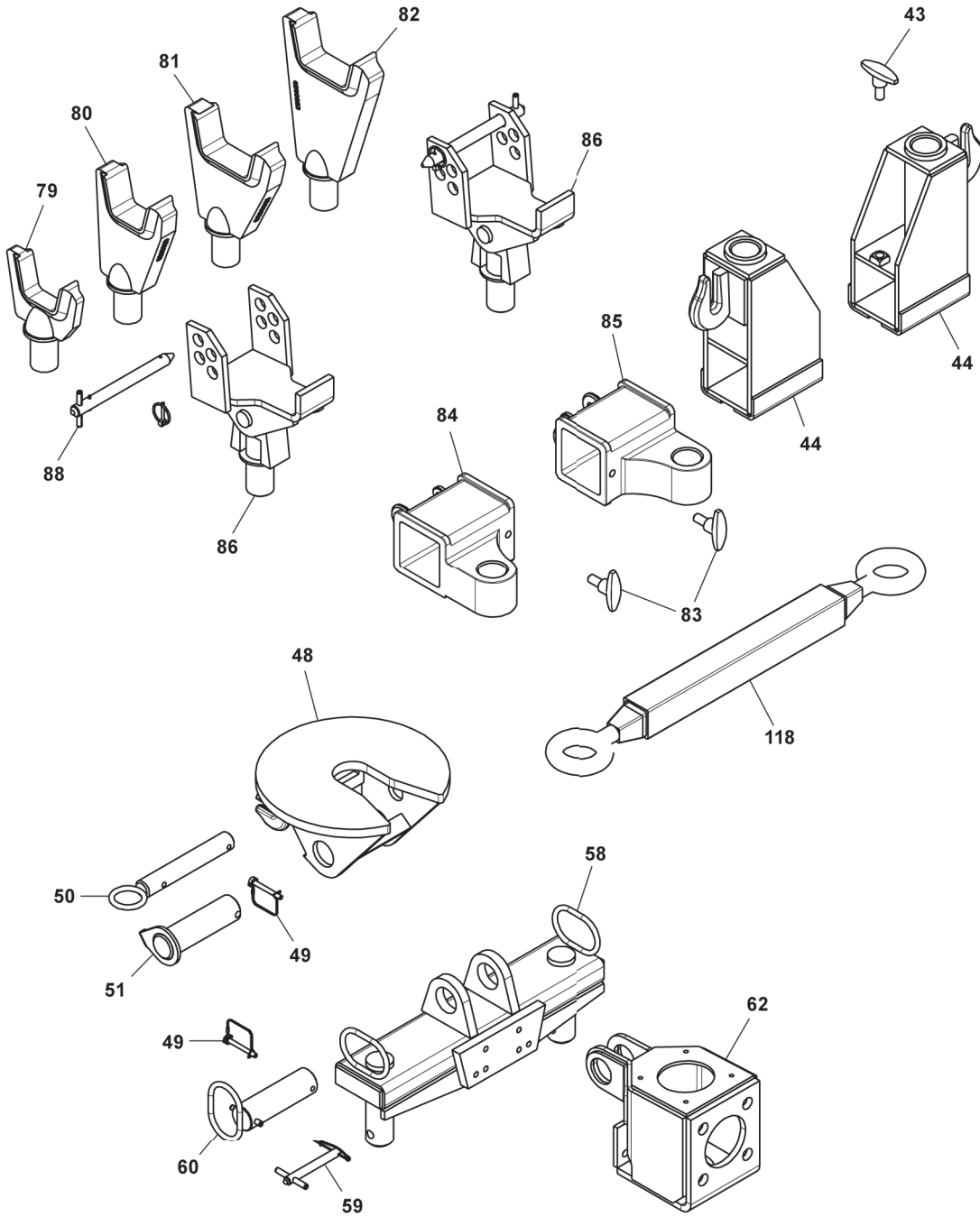
SECTION I - PARTS (cont'd)

MR-30 UNDERLIFT TILT & FOLD HYDRAULICS



SECTION I - PARTS (cont'd)

MR-30 LIFT ADAPTERS

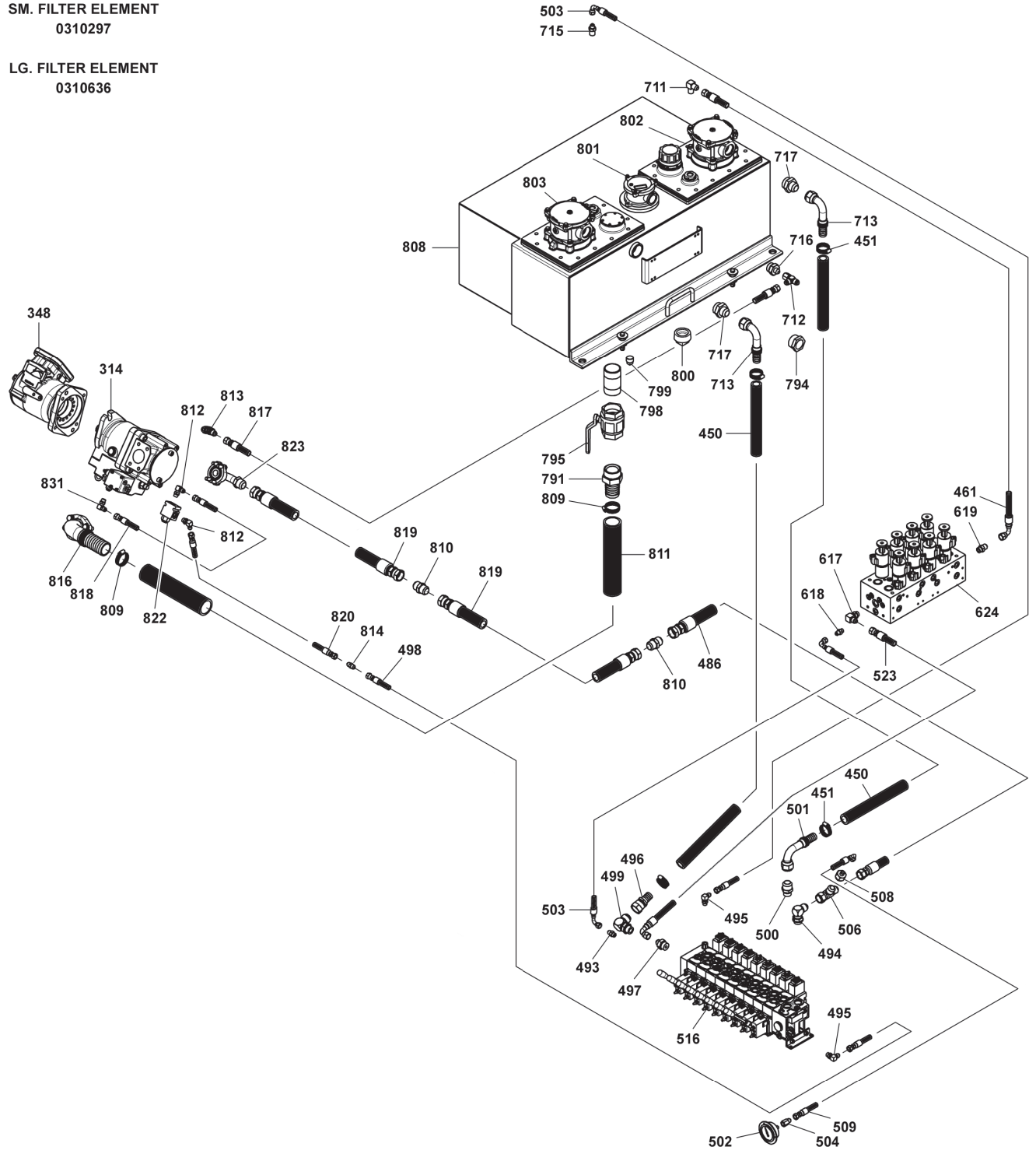


SECTION I - PARTS (cont'd)

MR-30 PUMP, VALVE & FILTER HYDRAULICS

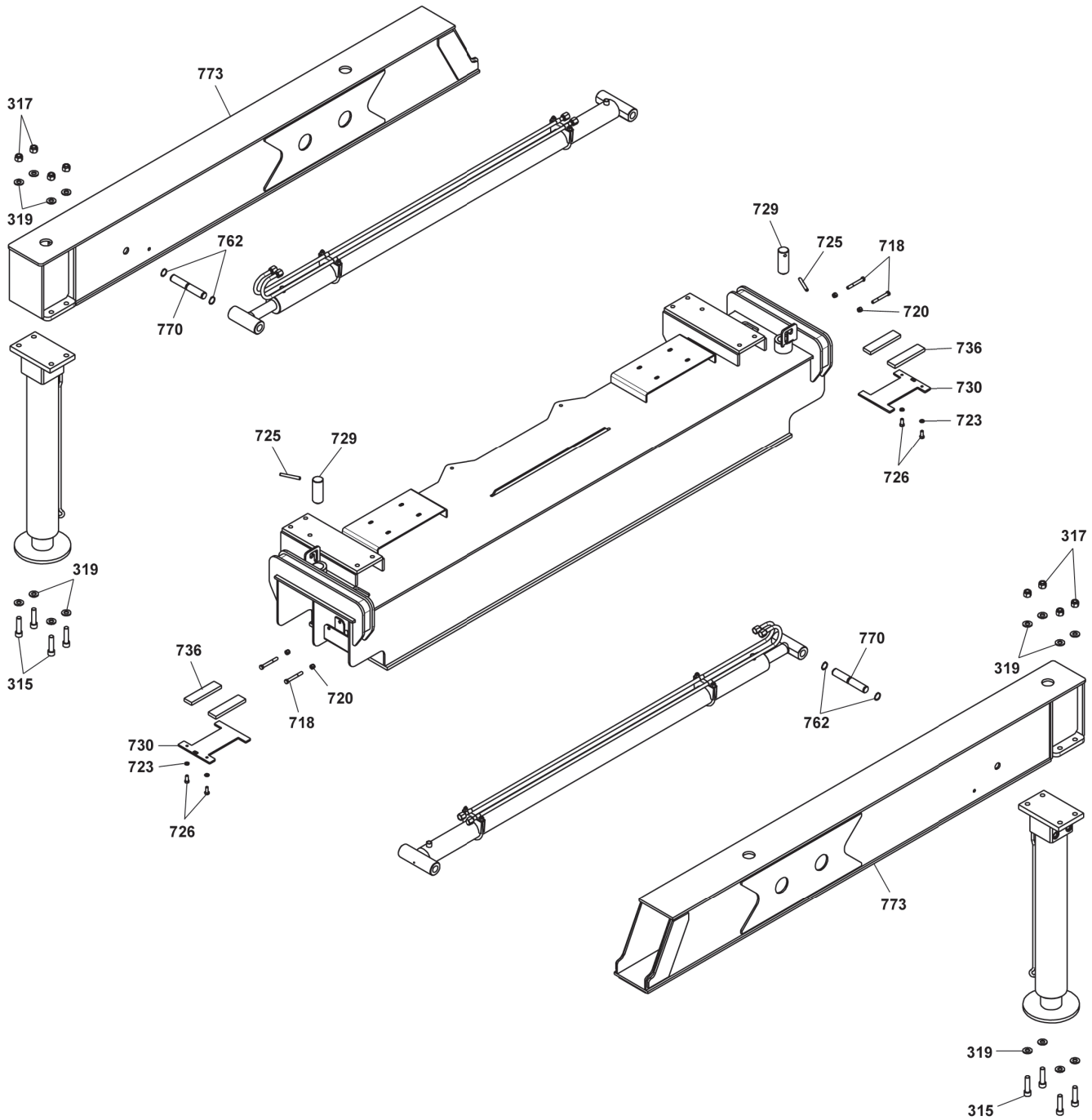
SM. FILTER ELEMENT
0310297

LG. FILTER ELEMENT
0310636



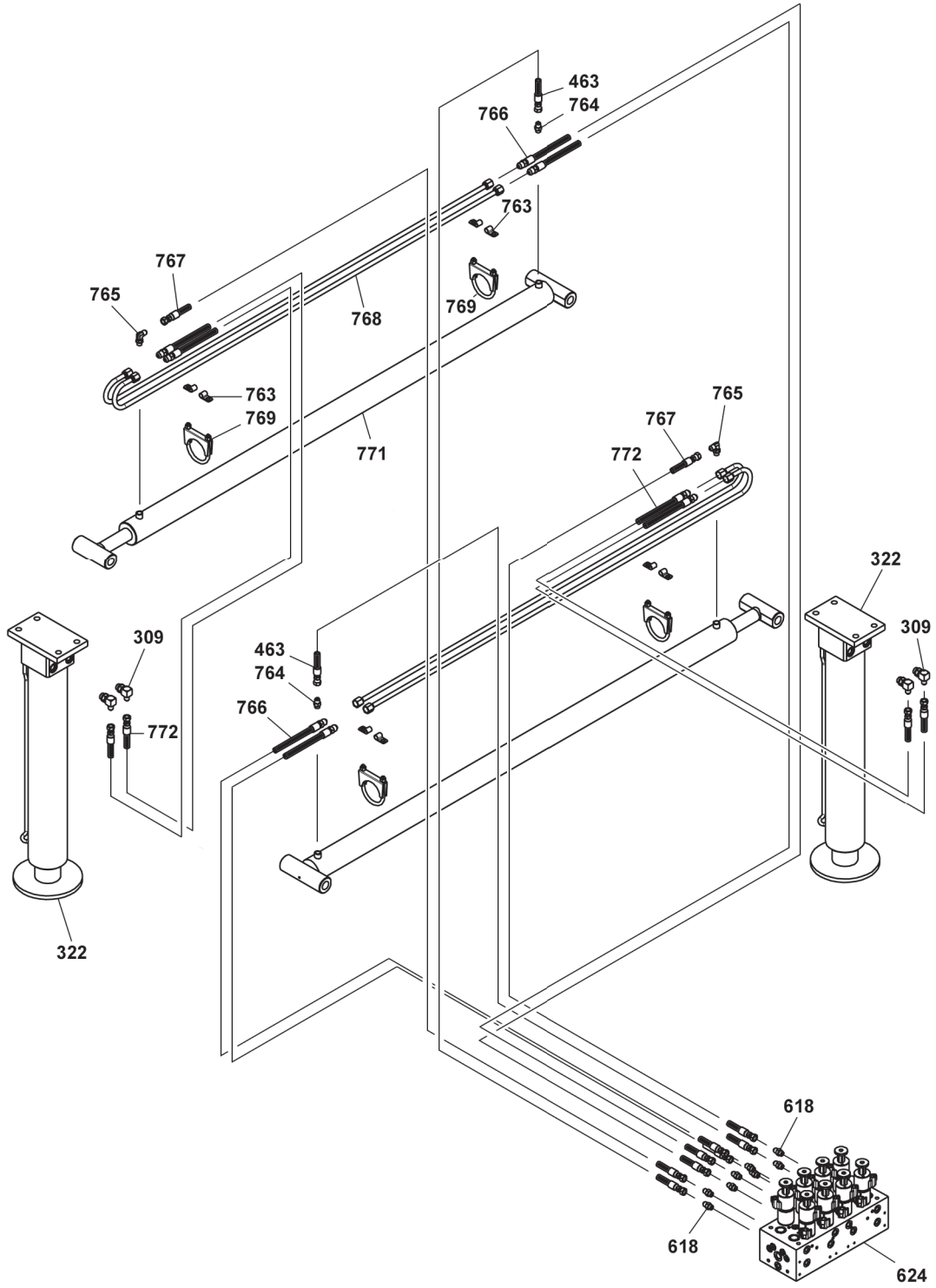
SECTION I - PARTS (cont'd)

MR-30 FRONT OUTRIGGER ASSEMBLY



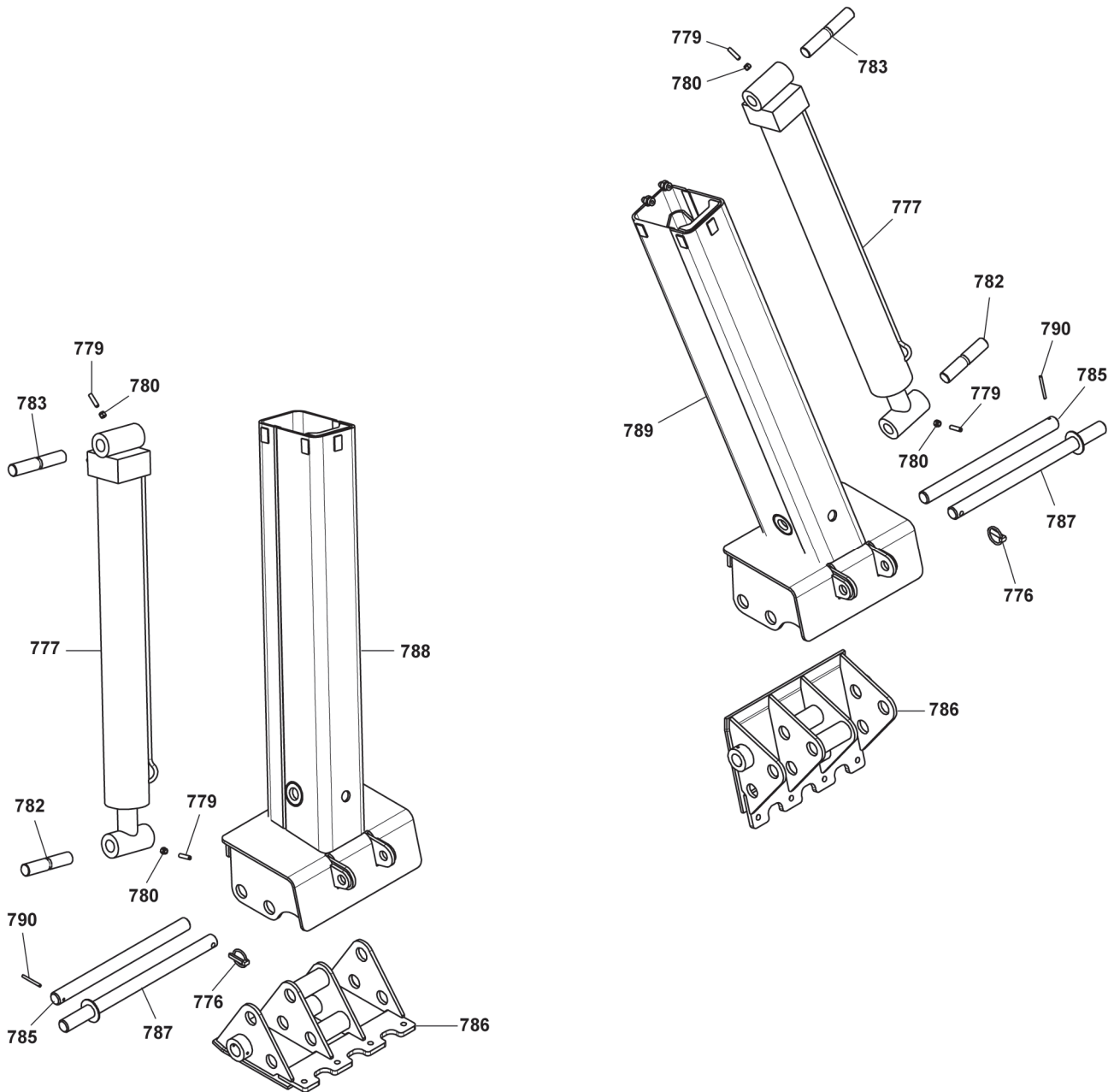
SECTION I - PARTS (cont'd)

MR-30 FRONT OUTRIGGER HYDRAULICS

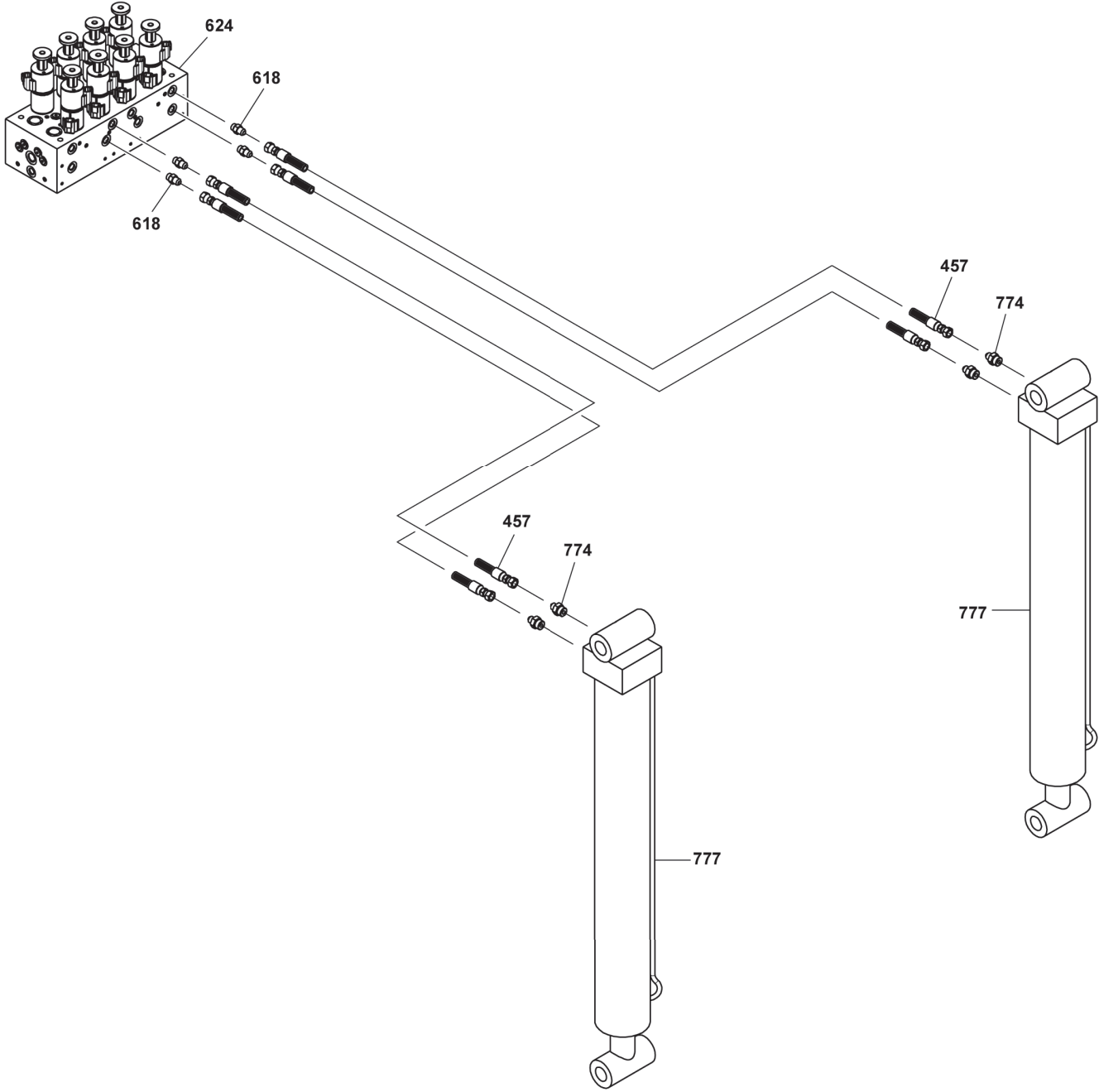


SECTION I - PARTS (cont'd)

MR-30 REAR SPADE ASSEMBLY

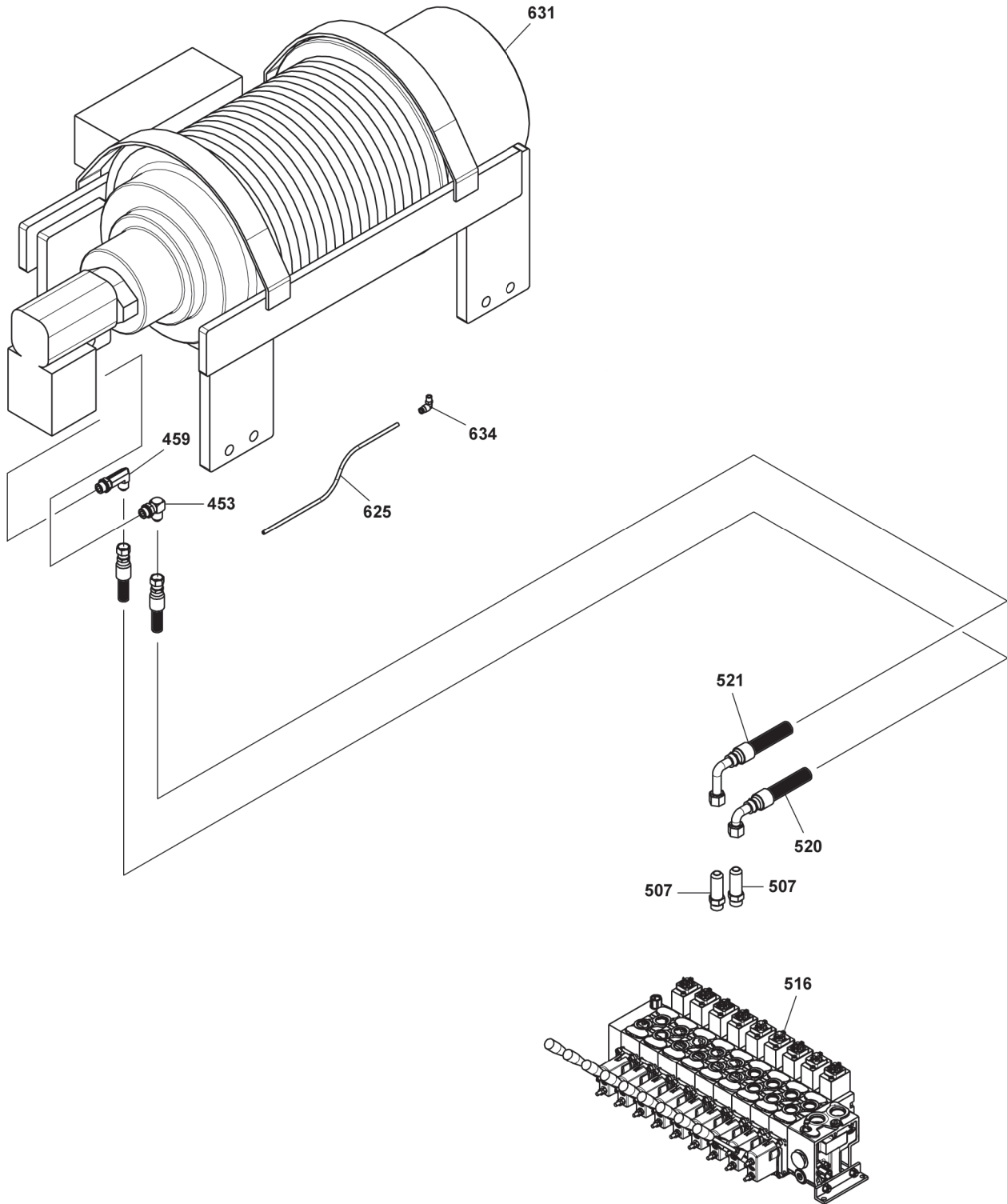


SECTION I - PARTS (cont'd)
MR-30 REAR SPADE HYDRAULICS

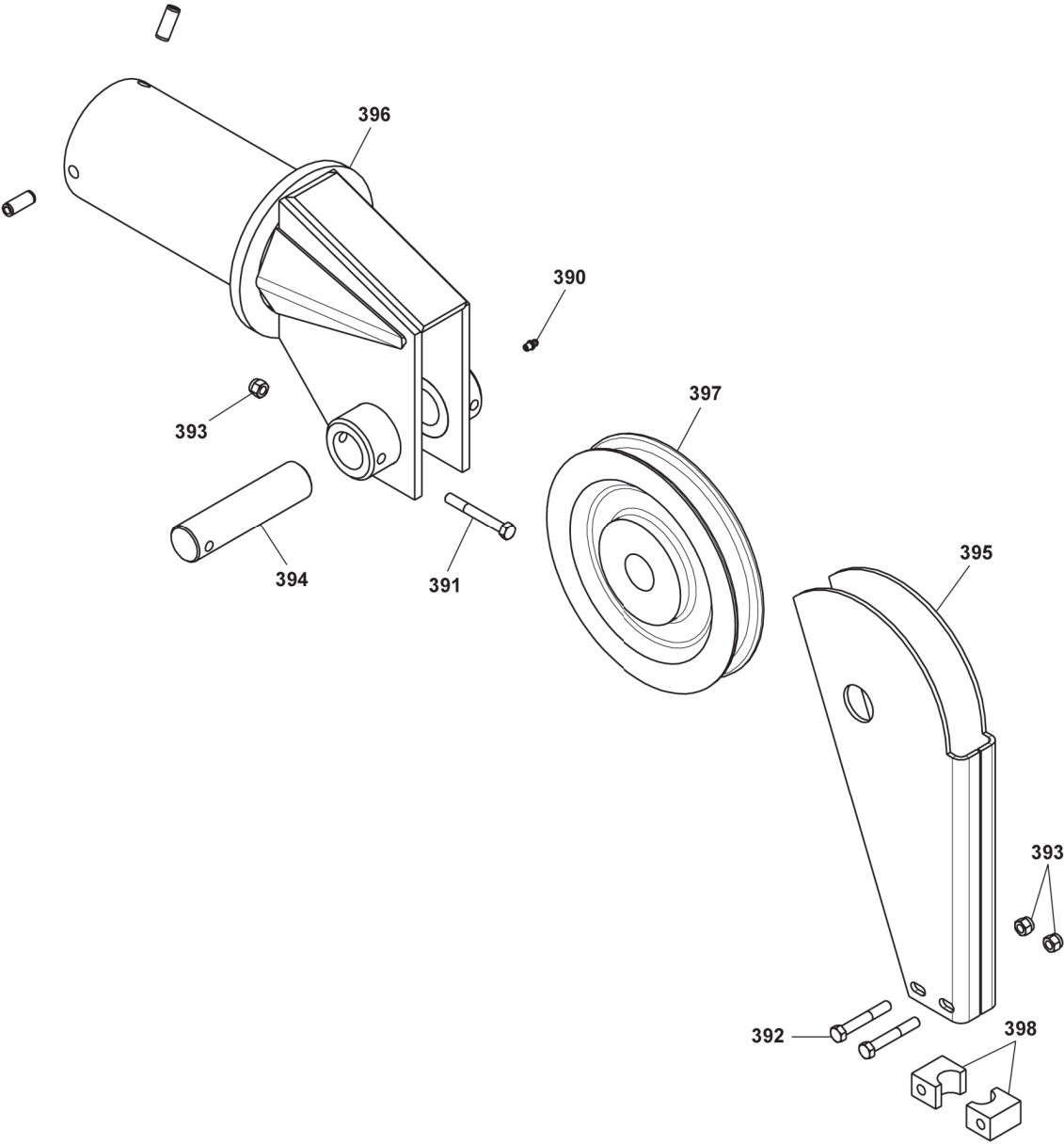


SECTION I - PARTS (cont'd)

MR-30 DRAG WINCH HYDRAULICS



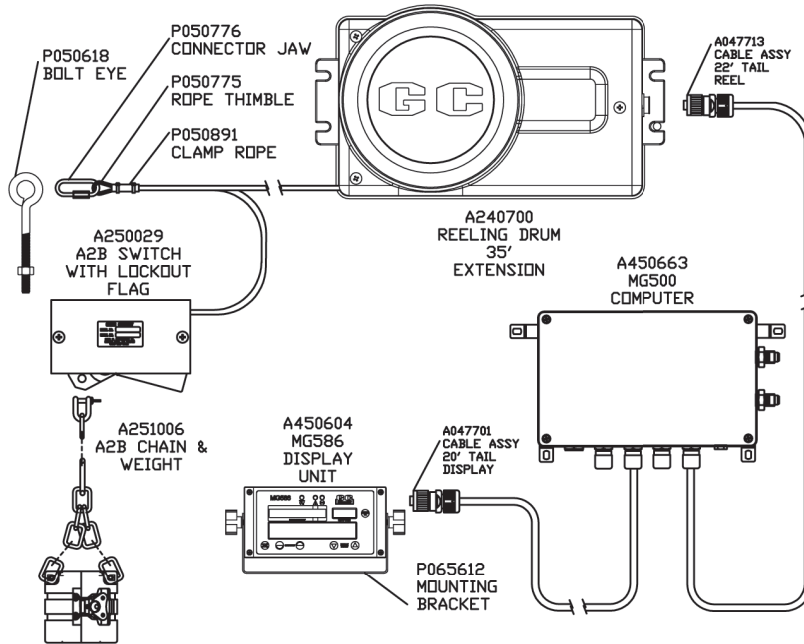
SECTION I - PARTS (cont'd)
MR-30 DRAG WINCH SWIVEL



SECTION I - PARTS (cont'd)

MR-30 RATED CAPACITY INDICATOR KIT

K758260 SYSTEM KIT - MILLER INDUSTRIES - MR-30



K758260 MILLER INDUSTRIES SYSTEM KIT LIST		
PART NUMBER	NAME	QTY
A047701	CABLE ASSY - 20' TAIL - DISPLAY	1
A047713	CABLE ASSY - 22' TAIL - REEL	1
A240700	REELING DRUM ASSY - 35' EXTN	1
A250029	ATB SWITCH W/LOCKOUT FLAG	1
A251006	CHAIN & WEIGHT ASSY - LINKLOCK	1
A450604	MG586 DISPLAY UNIT	1
A450663	MG510 COMPUTER 4CG & 2JIC-6	1
D586710	MR-30,16.6'-27.5',NO	1
P050618	BOLT EYE 3/8"-16 X 4"	1
P050775	ROPE THIMBLE STL.STEEL 5/32"	1
P050776	CONNECTOR THREADED W/JAW 3/16"	1
P050891	CLAMP ROPE LO-PROFILE 5/32"	1
P065612	BRACKET MOUNTING BA590/MG586	1
W000002	SUPPORT SHEET FOR SYSTEM EPROM	1

