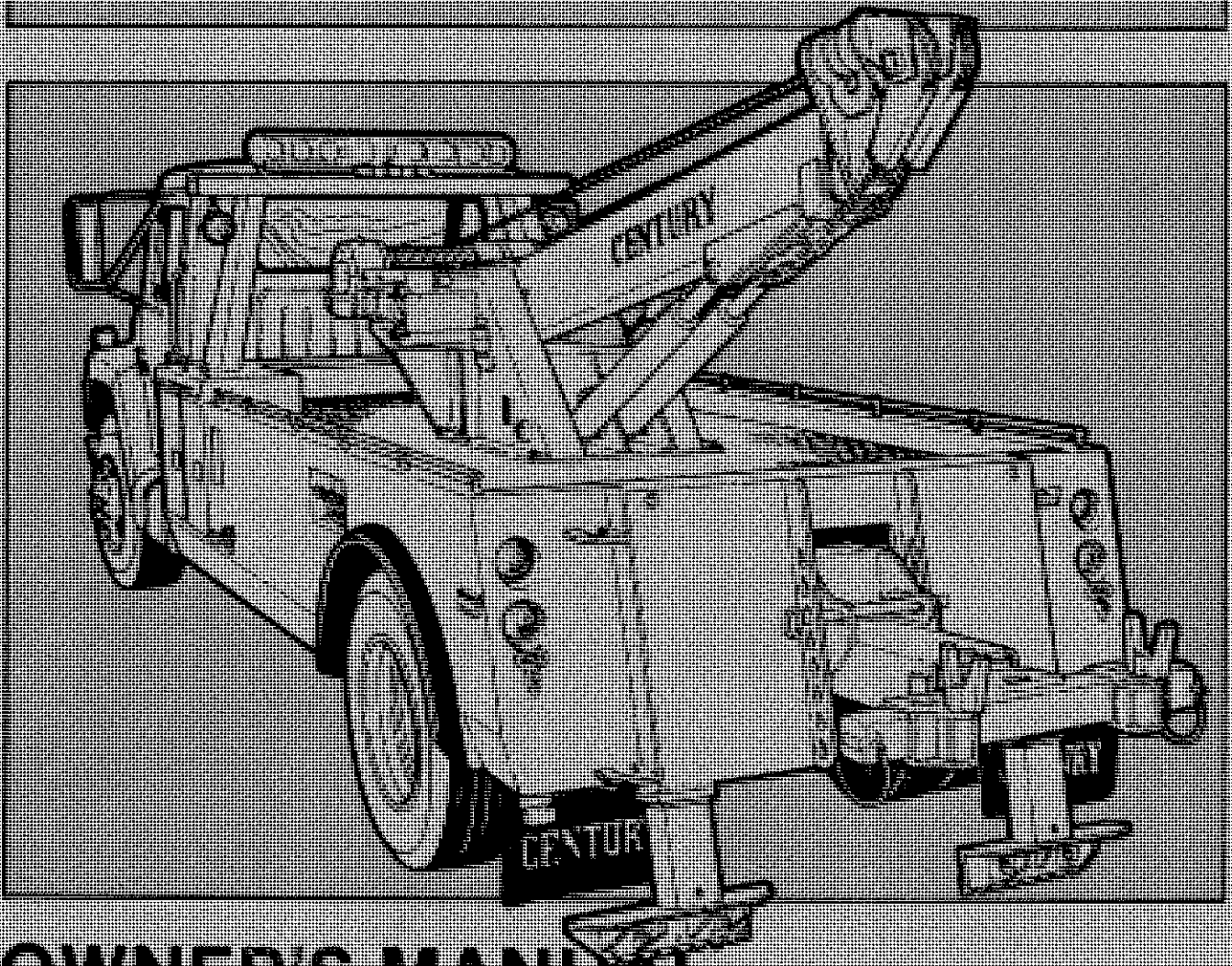


CENTURY®



OWNER'S MANUAL

SERIAL NO. HDU0101H87 and above

HEAVY DUTY UNDERLIFT (HDU)

Installation, Operation,
Maintenance & Parts

**CENTURY,
WRECKER
CORPORATION**

175 at Gateway Exit #11 • 2503 Hilda Drive • Collierville, Tennessee 37033 • (901) 232-0171

Mailing Address: P.O. Box 120 • Collierville, Tennessee 37033 • Telex 555557 CENTWRTN UD

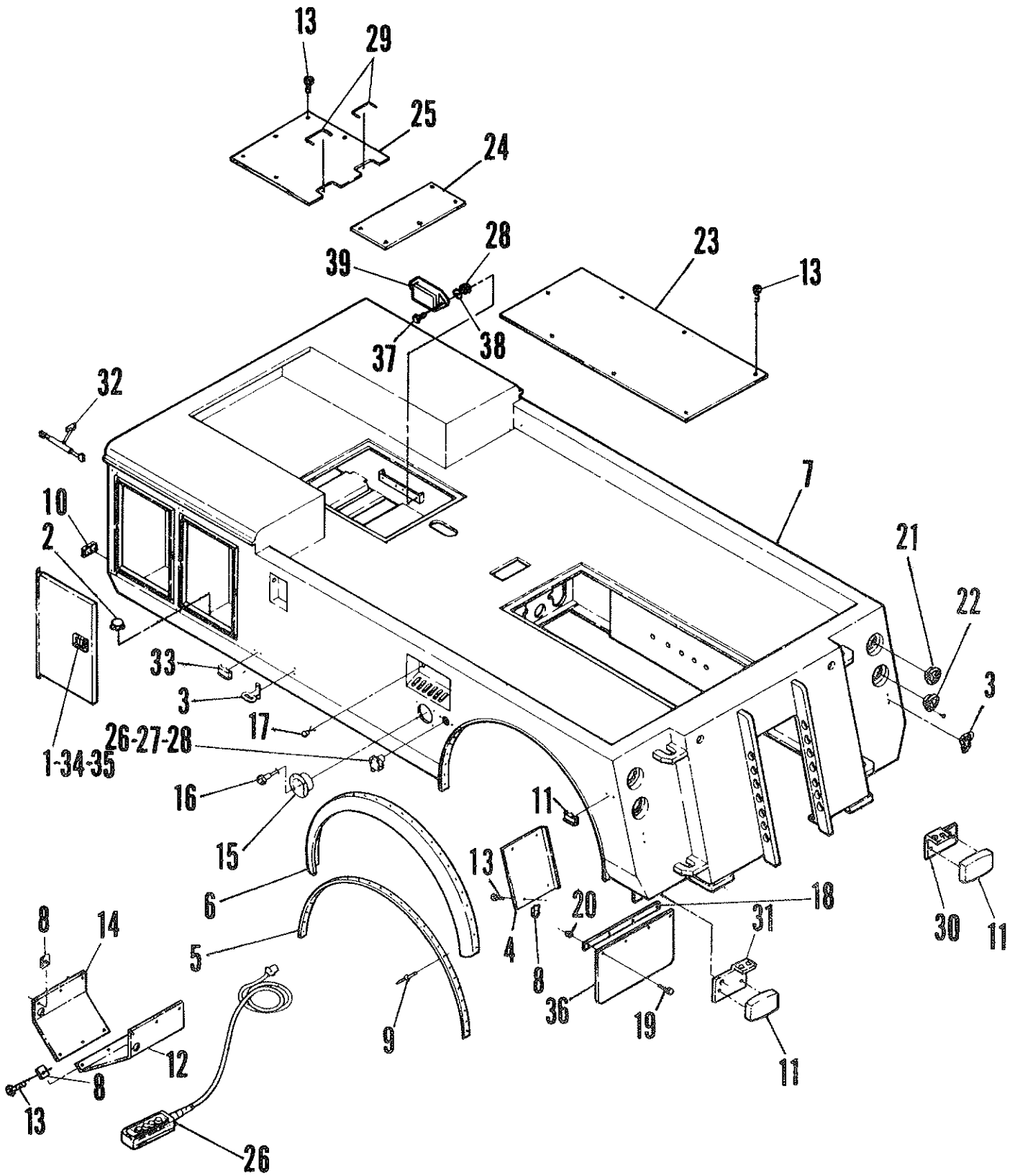
FORM NO. 0520232

PRICE \$15.00

Section VI

PARTS

Section VI - PARTS BODY ASSEMBLY

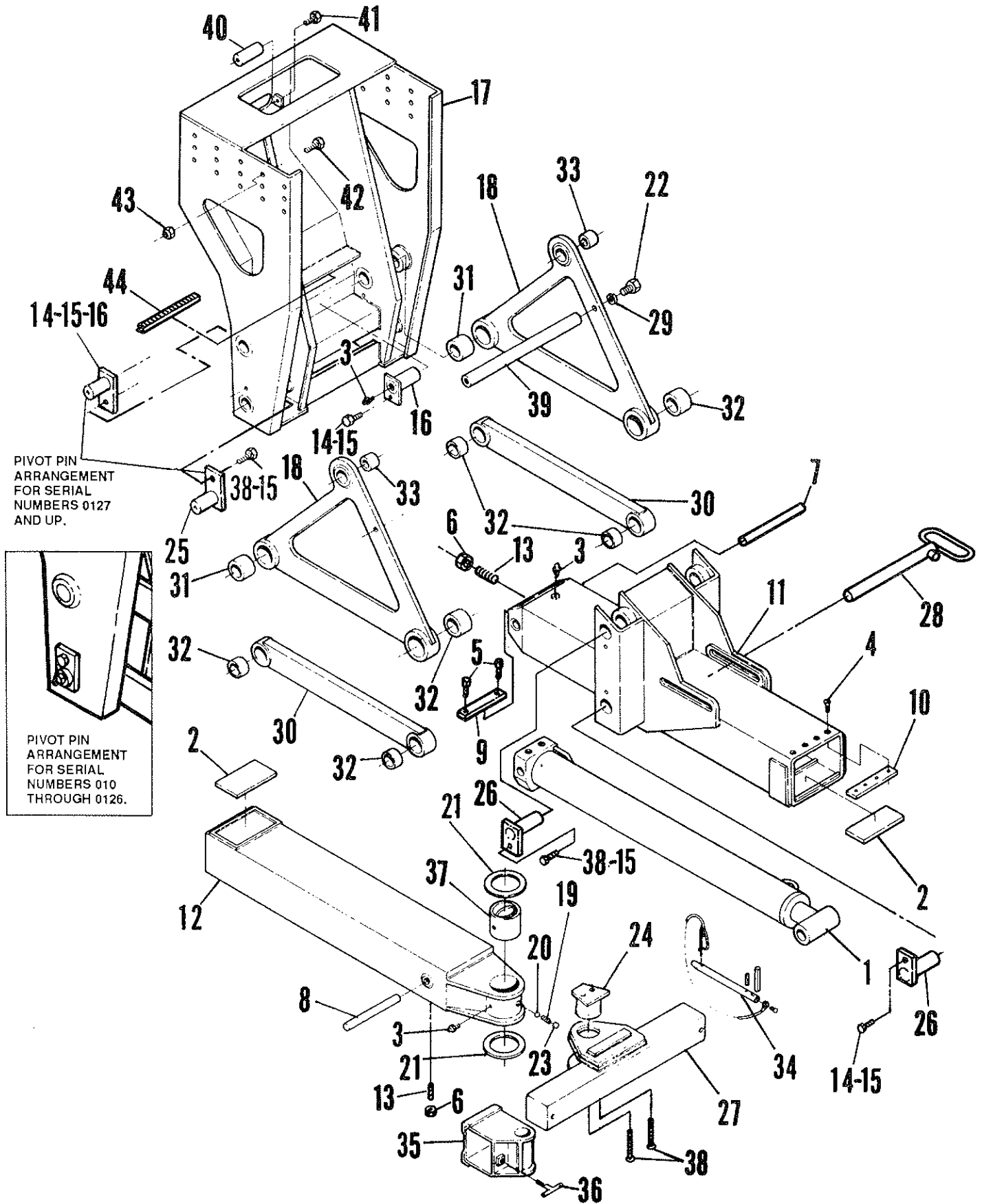


Section VI - PARTS

BODY ASSEMBLY

REF. NO.	NO. REQ'D.	PART NUMBER	DESCRIPTION
1	4	0300027	LATCH, TOOL COMPARTMENT
2	2	0300032	PLUG, TOOL COMPARTMENT DRAIN
3	4	0300097	STEPS, CHROME BOARDING
4	2	0703562	MUD GUARD
5	2	0704046	RETAINING STRIP, RUBBER FENDER (SINGLE AXLE)
-	4	0704046	RETAINING STRIP, RUBBER FENDER (TANDEM AXLE)
6	2	0704047	FENDER, RUBBER (SINGLE AXLE)
-	4	0704047	FENDER, RUBBER (TANDEM AXLE)
7	1	0801178	BODY WELDMENT (820 SINGLE AXLE)
-	1	0801256	BODY WELDMENT (925 TANDEM AXLE)
-	1	0801314	BODY WELDMENT (925 SINGLE AXLE)
8	26	0400369	CLIP, 1/4"-J" TYPE TINNEMAN
9	42	0400566	RIVET, 1/4" DIA, SINGLE
-	68	0400566	RIVET, 1/4" DIA, TANDEM
10	2	0300428	LIGHT, FRONT & SIDE MARKER (AMBER)
11	4	0300427	LIGHT, SIDE & BACK MARKER (RED)
12	2	0703546	MUD GUARD, REAR HALF
13	43	0400066	SCREW, 1/4"-20 x 3/4" LG. HEX. HD. CAP.
14	2	0703547	MUD GUARD, FRONT HALF
15	1	0701328	HOUSING, THROTTLE CONTROL
16	1	0301218	CONTROL, 35 FT. THROTTLE
17	4	0300867	LIGHT, CONTROL STATION ILLUMINATOR
18	2	0700554	BAR, MUD FLAP
19	8	0400122	SCREW, 3/8"-16 x 1 1/4" LG. HEX. HD. CAP. GR.5
20	28	0400392	NUT, 3/8"-16 NYLON LOCK
21	2	0300501	LIGHT, STOP & TURN
22	2	0300505	LIGHT, BACK-UP
23	1	0704223	PLATE, HDU REAR COVER (VALVE ACCESS)
24	1	0704213	PLATE, VALVE COVER (REAR HALF)
25	1	0704222	PLATE, VALVE COVER (FRONT HALF)
26	1	0302017	CONTROL, LANYARD HAND (INCLUDES 6-WAY CONNECTOR)
27	2	0400083	SCREW, 1/4"-20 x 1 1/4" LG. RD. HD.
28	6	0400367	NUT, 1/4" - 20 NYLON LOCK
29	2	0703616	HOSE GUARD
30	1	0700160	BRACKET, R.H. REAR CLEARANCE LIGHT
31	1	0700159	BRACKET, L.H. REAR CLEARANCE LIGHT
32	4	0301912	DOOR CHECK
33	2	0301887	LIGHT, REFLECTIVE SIDE MARKER (AMBER)
34	16	0400021	SCREW, #8-32 x 1/2" RD. HD. PHILLIPS, S.S.
35	16	0400351	NUT, #8 - 32 PL KEPS
36	2	0301223	MUD FLAP
37	4	0400070	SCREW, 1/4" - 20 x 1" LG. HEX. HD. CAP.
38	6	0400451	WASHER, 1/4" FLAT ZINC PLATED
39	2	0301800	JUNCTION BOX

Section I - PARTS HEAVY DUTY UNDERLIFT ASSEMBLY



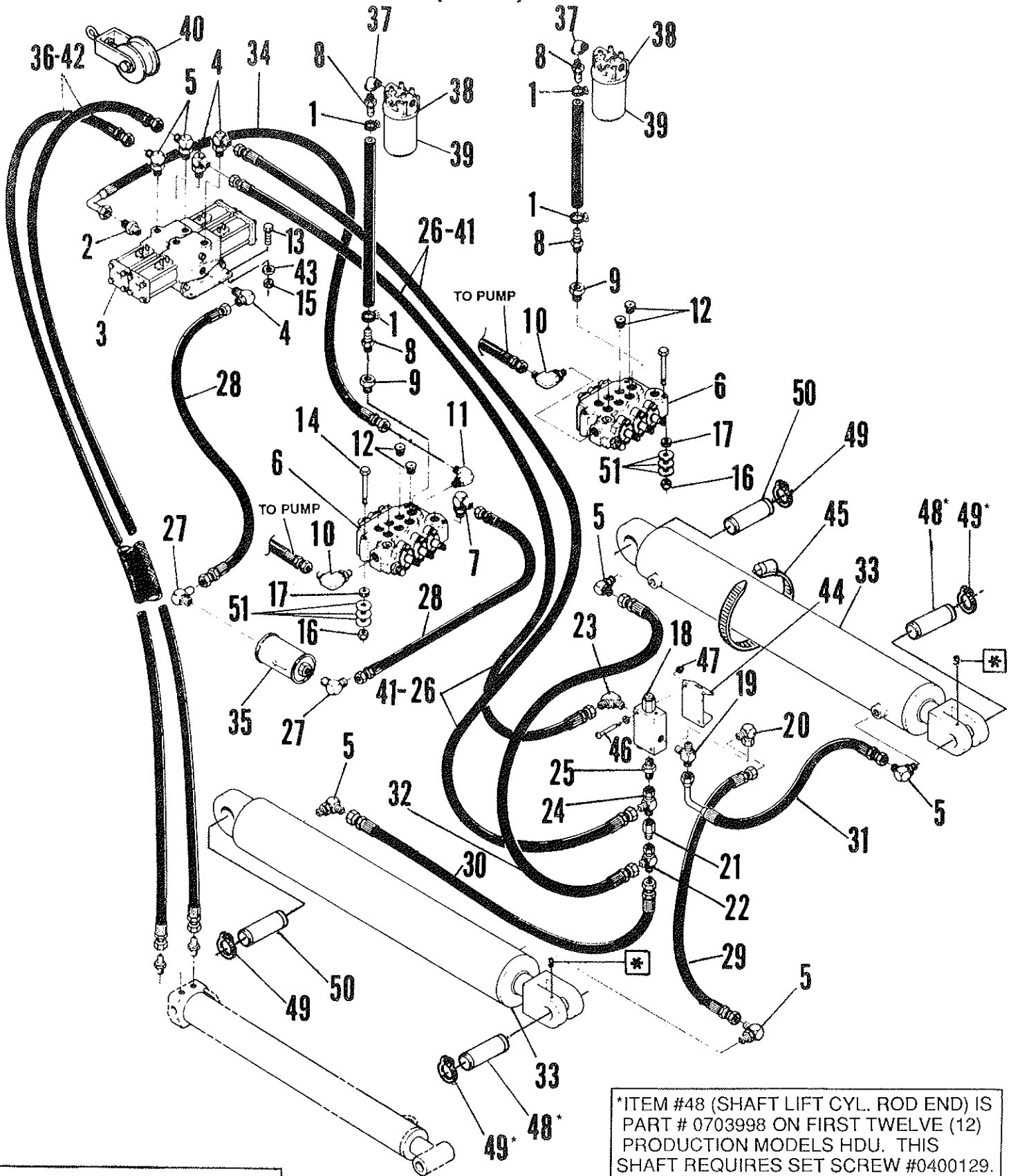
Section VI - PARTS

HEAVY DUTY UNDERLIFT ASSEMBLY

REF. NO.	NO. REQ'D.	PART NUMBER	DESCRIPTION
1	1	0302002	CYLINDER, HDU EXTEND
2	2	0302009	PAD, NYLATRON SLIDE
3	6	0300113	GREASE FITTING, 1/4" - 28 STR.
4	4	0400134	SCREW, 3/8"-24 x 3/4" LG. FLAT SOCKET HD.
5	2	0400207	SCREW, 1/2"-20 x 3/4" LG. SOCKET HD. CAP
6	2	0400392	NUT, 3/8" - 16 NYLON LOCK ZINC PL
7	1	0703996	SHAFT, EXT. CYL. OUTER BOOM
8	1	0703997	SHAFT, EXT. CYL. INNER BOOM
9	1	0704001	GUIDE BAR
10	1	0704017	STOP PLATE, OUTER BOOM
11	1	0801155	OUTER BOOM WELDMENT
12	1	0801154	INNER BOOM WELDMENT
13	2	0400139	SCREW, 3/8 - 16 NC SOC HD. SET
14	4	0400177	SCREW, 1/2"-13 X 1 1/4" LG. HEX. HD. CAP. GR.5 ZINC PL
15	8	0400408	NUT, 1/2" - 13 NYLON LOCK ZINC PL
16	2	0801147	SHAFT, FRAME UPPER ARM
17	1	0801156	FRAME WELDMENT
18	2	0801141	UPPER ARM & CRANK WELDMENT
19	1	0301197	SPRING
20	1	0301398	BALL
21	2	0302006	THRUST WASHER
22	2	0400323	SCREW, 1"-8 x 2 1/2" LG. HEX. HD. CAP. GR.5
23	1	0704000	DETENT SPRING SPACER
24	1	0801146	PIVOT PIN WELDMENT
25	2	0801148	SHAFT, FRAME LOWER ARM
26	4	0801149	SHAFT, BOOM UPPER & LOWER
27	1	0801152	CROSSBAR
28	1	0900879	SAFETY PIN
29	2	0400516	LOCKWASHER, HELICAL 1" ZINC PLATED
30	2	0801153	LOWER ARM WELDMENT
31	2	0302005	BUSHING, UPPER ARM & CRANK
32	6	0302004	BUSHING, LOWER PIVOT ARM
33	2	0302003	BUSHING, UPPER ARM & CRANK CYLINDER PIN
34	2	0900900	PIN ASS'Y, RETAINING
35	2	0801150	FORK ADAPTOR WELDMENT
36	2	0800993	TEE HANDLE
37	1	0302019	BUSHING, PIVOT PIN
38	6	0400208	SCREW, 1/2 - 20 NF x 2 LG. SOC. FLT. HD.
39	1	0703974	TUBE, CONNECTING
40	1	0703441	ROLLER
41	2	0400070	SCREW, 1/4" - 20 NC x 1" LG. HEX. HD. CAP. ZINC PL
42	15	0400302	SCREW, 7/8" - 9 NC x 2" LG. HEX. HD. CAP. ZINC PL
43	15	0400436	NUT, 7/8" - 9 NC NYLON LOCK ZINC PL
44	1	0301870	GROMMET, CATERPILLAR

Section VI - PARTS

HEAVY DUTY UNDERLIFT (HDU) HYDRAULICS



NOTE: LIFT CYLINDERS ON FIRST FIVE UNITS AFTER PROTOTYPE ARE PART No. 0302001. (REFER TO BOTTOM OF PAGE 26).

*ITEM #48 (SHAFT LIFT CYL. ROD END) IS PART # 0703998 ON FIRST TWELVE (12) PRODUCTION MODELS HDU. THIS SHAFT REQUIRES SET SCREW #0400129. ALL OTHER MODELS THEREAFTER AND ANY REPLACEMENT CYLINDERS WILL REQUIRE ITEMS #48 AND #49 OF THIS PARTS LIST.

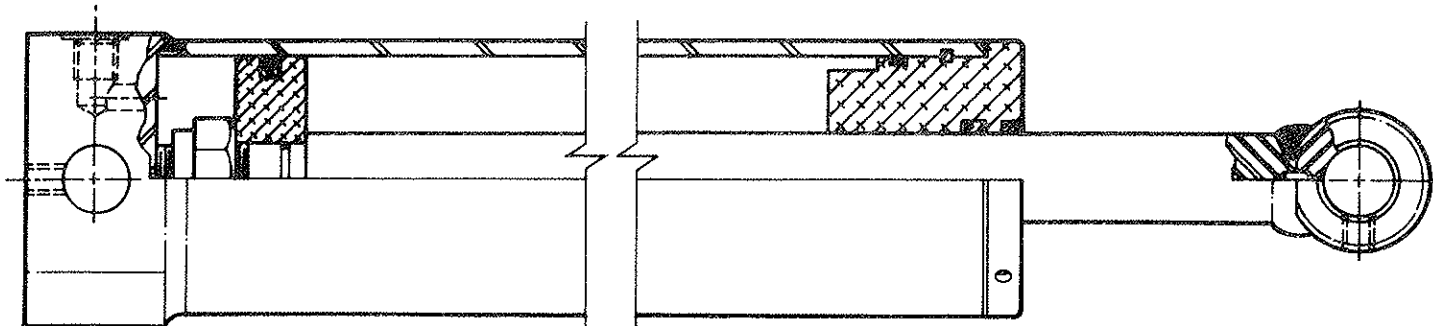
Section VI - PARTS

HEAVY DUTY UNDERLIFT (HDU) HYDRAULICS

REF. NO.	NO. REQ'D.	PART NUMBER	DESCRIPTION
1	4	0300071	HOSE CLAMP, 1"
2	1	0300041	ADAPTOR, 1/2" SAE x 1/2" JIC STRAIGHT
3	1	0301379	SOLENOID VALVE
4	3	0301388	ELBOW, 1/2" SAE x 1/2" JIC x 90°
5	6	0301470	ELBOW, 1/2" SAE x 3/8" JIC x 90°
6	2	0300010	VALVE, THREE SPOOL
7	1	0300052	ELBOW, 5/8" SAE "O" - RING x 1/2" JIC x 90°
8	4	0300055	HOSE BARB
9	2	0300065	ADAPTOR, 3/4" SAE "O" - RING x 3/4" NPT F
10	2	0301547	ELBOW, 3/4" SAE "O" - RING x 1/2" JIC x 90°
11	1	0301388	ELBOW, 1/2" SAE "O" - RING x 1/2" JIC x 90°
12	4	0302031	PLUG, #8 SAE "O" - RING SOCKET HEAD
13	4	0400103	SCREW, 5/16" - 18 x 1 1/4" LG. HEX. HD. CAP. GR.5
14	6	0400135	SCREW, 3/8" - 16 x 4 1/2" LG. HEX. HD. CAP. GR. 5
15	4	0400382	NUT, 5/16" - 18 NYLON LOCK
16	6	0400392	NUT, 3/8" - 16 NYLON LOCK
17	6	0704045	SPACER, 3/4" O.D. x 1/8" CONTROL VALVE
18	1	0301731	HOLDING VALVE
19	1	0301855	TEE, 3/8" JIC x 3/8" JIC x 3/8" NPT
20	1	0301993	ELBOW, 3/8" JIC x 3/8" JIC SWIVEL x 90°
21	1	0301995	REDUCER, 1/2" JIC x 3/8" JIC F
22	1	0301996	TEE, 3/8" JIC x 3/8" JIC SWIVEL x 3/8" JIC
23	1	0302051	ELBOW, 1/2" JIC x 3/8" NPT x 90°
24	1	0302052	TEE, 1/2" JIC x 1/2" JIC SWIVEL x 1/2" JIC RUN
25	1	0302053	REDUCER, 1/2" JIC x 1/4" NPT STRAIGHT
26	2	0300165	HOSE ASS'Y (820 HDU)
27	2	0300229	ELBOW, 1/2" JIC x 1/2" NPT x 90°
28	2	0300750	HOSE ASS'Y
29	1	0301997	HOSE ASS'Y
30	1	0301998	HOSE ASS'Y
31	1	0301999	HOSE ASS'Y
32	1	0302000	HOSE ASS'Y
33	2	0302050	CYLINDER, 4" BORE LIFT
34	1	0301471	HOSE ASS'Y
35	1	0301699	FILTER, HYDRAULIC IN-LINE
36	2	0301875	HOSE ASS'Y (820 HDU)
37	2	0300288	ELBOW, STREET
38	2	0300136	FILTER ASS'Y, 3/4" NPT OIL
39	2	0300146	REPLACEMENT ELEMENT
40	1	0901054	HOSE TENSIONER PULLEY ASS'Y
41	2	0300212	HOSE ASS'Y (925 HDU)
42	2	0302056	HOSE ASS'Y (925 HDU)
43	4	0400463	WASHER, 5/16" FLAT
44	1	0703001	MOUNTING BRACKET, HOLDING VALVE
45	1	0300133	CLAMP, BRACKET
46	2	0400064	SCREW, 1/4 - 20 NC x 2 1/4" LG. RD. HD. PL
47	2	0400367	NUT, 1/4 - 20 NC NYLON LOCK
48	2	0704390	SHAFT, LIFT CYL. ROD END
49	8	0300109	RETAINER RING
50	2	0703999	SHAFT, LIFT CYL. BASE END
51	18	0400480	WASHER, 3/8" FLAT

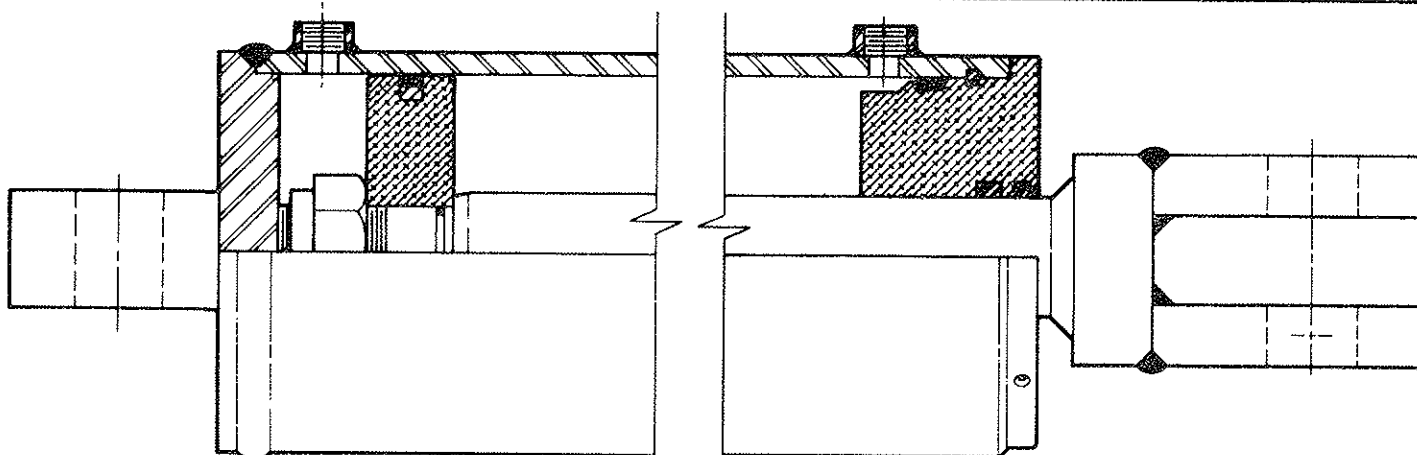
Section VI - PARTS

HYDRAULIC CYLINDERS



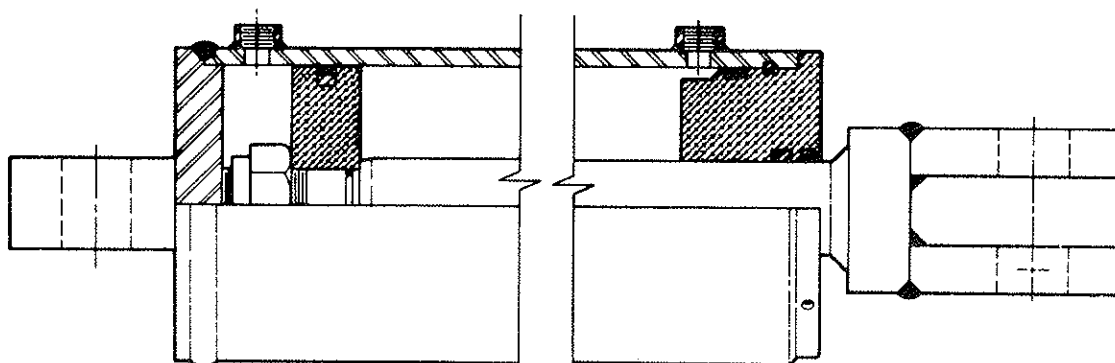
HDU BOOM EXTEND CYLINDER

REF. NO.	NO. REQ'D.	PART NUMBER	DESCRIPTION
1	1	0302002	HYDRAULIC CYLINDER, BOOM EXTEND (COMPLETE)
2	1	0304319	SEAL KIT, BOOM EXTEND CYLINDER



HDU LIFT CYLINDER (4" BORE)

REF. NO.	NO. REQ'D.	PART NUMBER	DESCRIPTION
1	1	0302050	HYDRAULIC CYLINDER, HDU LIFT (4" BORE) COMPLETE
2	1	0304320	SEAL KIT, HDU LIFT CYLINDER (4" BORE)

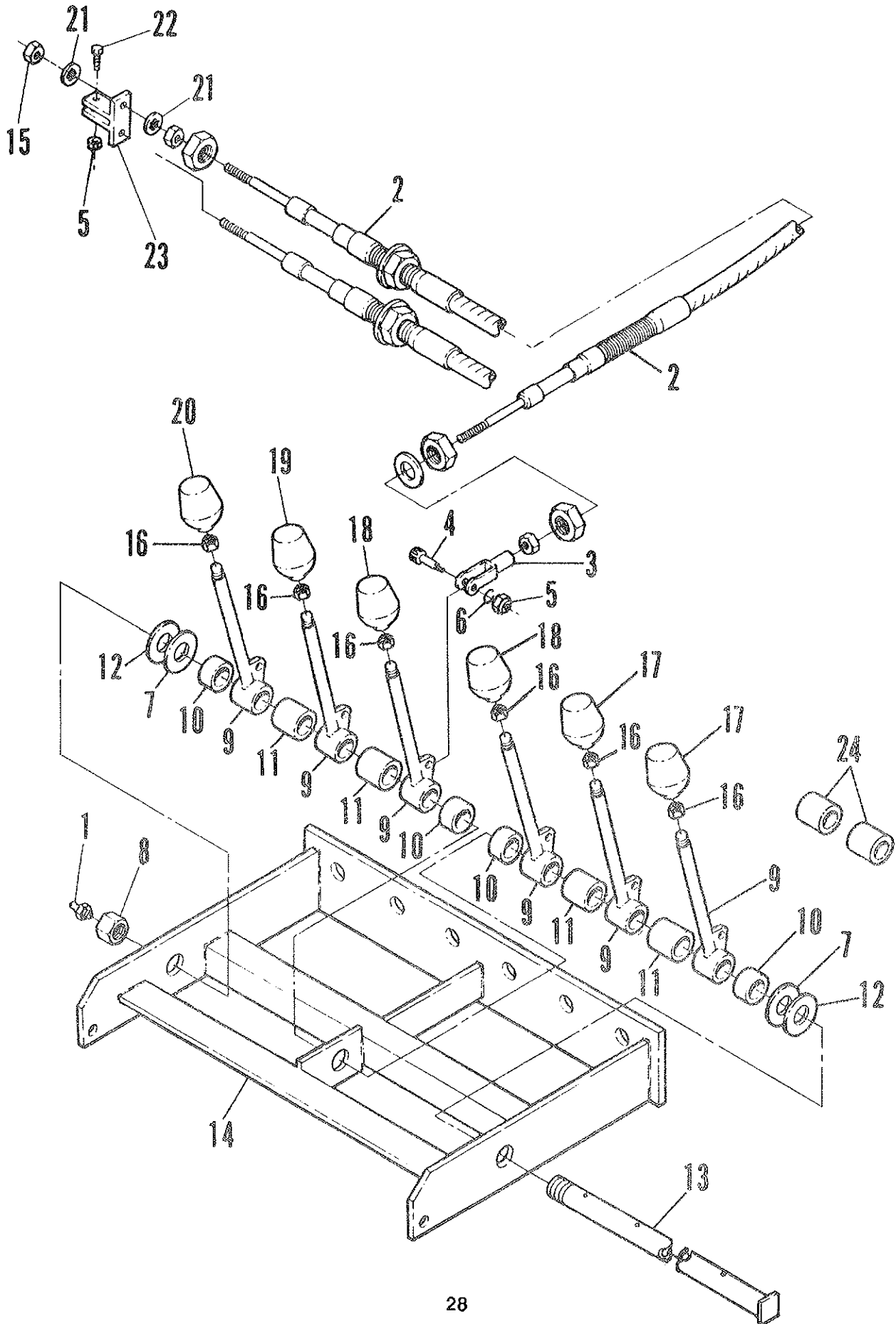


HDU LIFT CYLINDER (6" BORE) *

REF. NO.	NO. REQ'D.	PART NUMBER	DESCRIPTION
1	1	0302001	HYDRAULIC CYLINDER, HDU LIFT (4" BORE) COMPLETE
2	1	0304321	SEAL KIT, HDU LIFT CYLINDER (6" BORE)

* Only applies to the following Serial Numbers HDU 0102H87 through HDU 0106H87

Section VI - PARTS - CONTROL ASSEMBLY - HDU

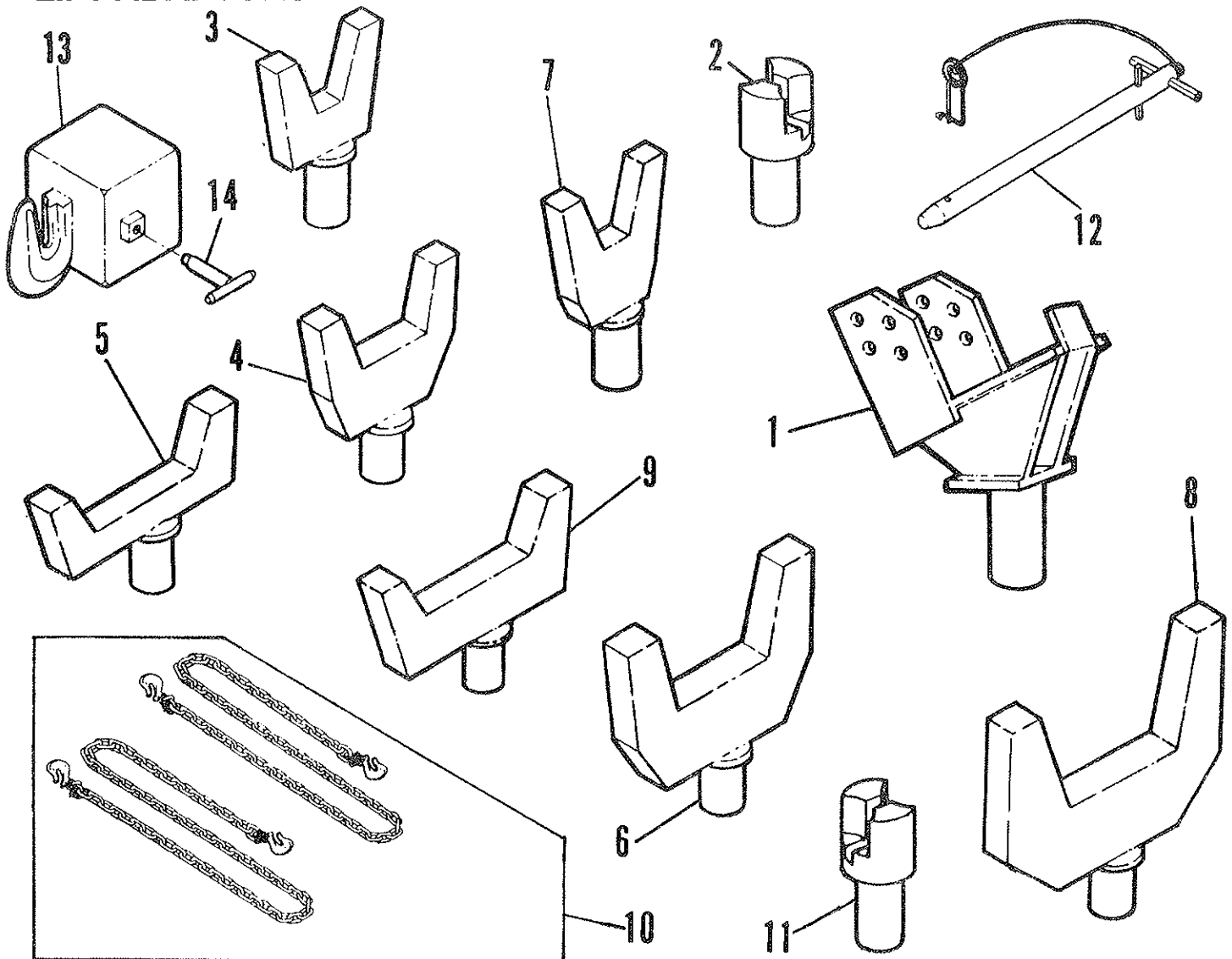


Section VI - PARTS CONTROL ASSEMBLY

REF. NO.	NO. REQ'D.	PART NUMBER	DESCRIPTION
1	2	0300113	GREASE FITTING
2	8*	0301969	CONTROL CABLE (820)
2	8*	0301884	CONTROL CABLE (925)
3	8*	0301867	CLEVIS, ADJUSTING
4	8*	0400095	SCREW, 5/16" - 18 x 3/8" DIA x 1" LG. SHOULDER
5	12**	0400382	NUT, 5/16" - 18 NYLON LOCK
6	8*	0400482	LOCKWASHER, 3/8" HELICAL
7	4	0700954	SPACER, CONTROL HANDLE 0.100"
8	2	0701169	CAP
9	8*	0704363	CONTROL HANDLE
10	6+	0703509	SPACER, CONTROL HANDLE 3/8"
11	4+	0703510	SPACER, CONTROL HANDLE 1"
12	2++	0703597	SPACER, CONTROL HANDLE 0.134"
13	2	0801046	SHAFT, CONTROL HANDLE
14	2	0801047	MOUNTING BRACKET, CONTROL HANDLE
15	8*	0400383	NUT, 5/16" - 24
16	8*	0400393	NUT, 3/8" - 16 JAM PL
17	4	0300836	KNOB, OPTIONAL "JACK UP-DOWN"
18	4	0300834	KNOB, "CABLE IN-OUT"
19	2	0300837	KNOB, "BOOM IN-OUT"
20	2	0300835	KNOB, "BOOM UP-DOWN"
21	16***	0400466	LOCKWASHER, 5/16" INT TOOTH
22	4+++	0400103	SCREW, 5/16" - 18 x 1 1/4" LG.
23	4+++	0801054	CONTROL CABLE CONNECTOR
24	2	0704044	SPACER, CONTROL HANDLE REPLACEMENT

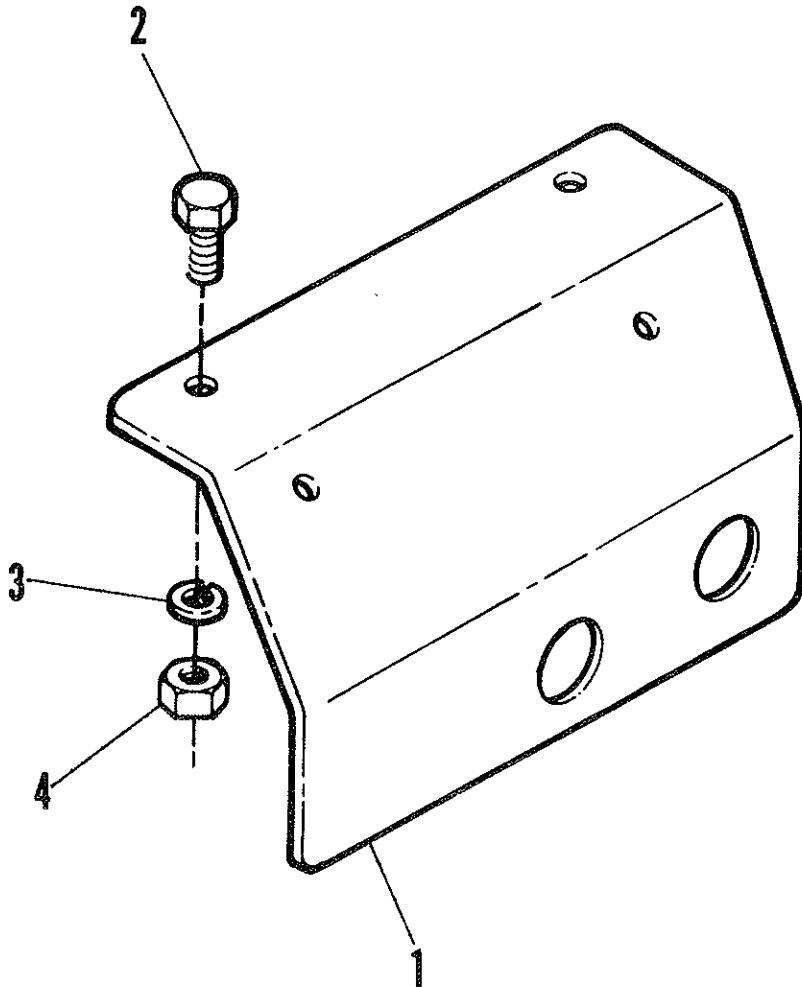
- * - QUANTITY OF 12 WITH OPTIONAL REAR JACKS
- ** - QUANTITY OF 16 WITH OPTIONAL REAR JACKS
- *** - QUANTITY OF 24 WITH OPTIONAL REAR JACKS
- + - QUANTITY OF 8 WITH OPTIONAL REAR JACKS
- ++ - QUANTITY OF 4 WITH OPTIONAL REAR JACKS
- +++ - QUANTITY OF 6 WITH OPTIONAL REAR JACKS

Section VI - PARTS - LIFT ADAPTORS



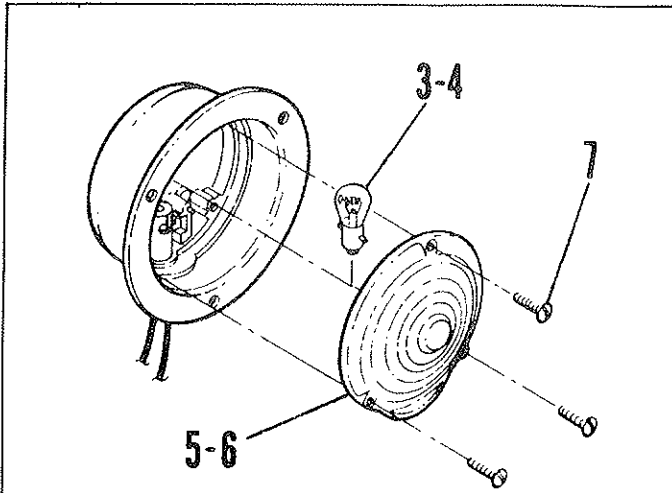
REF. NO.	NO. REQ'D.	PART NUMBER	DESCRIPTION
1	2	0801090	SPRING LIFT BRACKET (OPTIONAL)
2	2	0703591	5/8" CHAIN LIFT ADAPTOR
3	2	0800858	FORK WELDMENT, SHORT (3" OPENING)
4	2	0800857	FORK WELDMENT, MEDIUM (3" OPENING) (OPT)
5	2	0801086	FORK WELDMENT, SHORT (4-1/2" OPENING)
6	2	0801088	FORK WELDMENT, LONG (4-1/2" OPENING)
7	2	0800859	FORK WELDMENT, LONG (3" OPENING)
8	2	0801077	REAR AXLE FORK, 6" OPENING (OPTIONAL)
9	2	0801087	FORK WELDMENT MEDIUM (4-1/2" OPENING)(OPT)
10	2	0301205	TOWBAR CHAINS, 5/8" X 96" W/HOOKS (OPTIONAL)
11	2	0703785	1/2" CHAIN LIFT, ADAPTOR (OPTIONAL)
12	2	0900900	RETAINER PIN, SPRING LIFT BRACKET (OPTIONAL)
13	1	0801186	CHAIN HOOK ADAPTOR, R.H. (OPTIONAL)
—	1	0801187	CHAIN HOOK ADAPTOR, L.H. (OPTIONAL)
14	2	0801184	TEE HANDLE

Section VI - PARTS STANDARD PTO PANEL



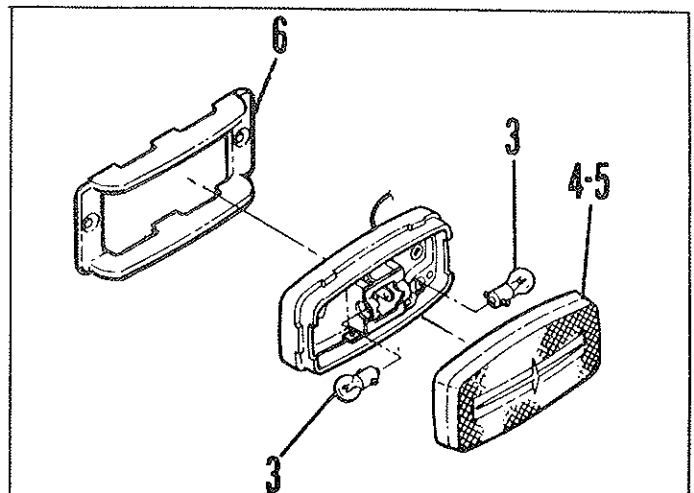
REF. NO.	NO. REQ'D.	PART NUMBER	DESCRIPTION
1	1	0702227	PANEL
2	2	0400061	SCREW, 1/4" - 20 x 3/4"
3	2	0400452	LOCKWASHER, 1/4"
4	2	0400366	NUT, 1/4" - 20 HEX

Section VI - PARTS - LIGHT KIT



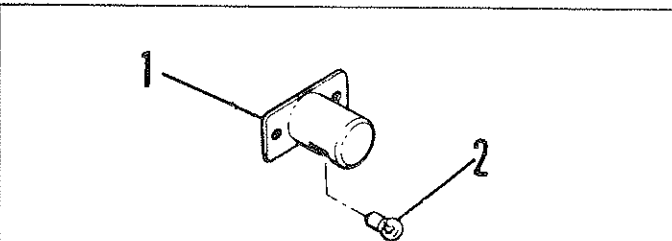
STOP & TURN/BACK-UP LIGHTS

- | | |
|----------------------------------|---------|
| 1. LIGHT, STOP & TURN (COMPLETE) | 0300501 |
| 2. LIGHT, BACK-UP (COMPLETE) | 0300505 |
| 3. BULB, STOP & TURN | 0300498 |
| 4. BULB, BACK-UP | 0300503 |
| 5. LENS, STOP & TURN (RED) | 0300499 |
| 6. LENS, BACK-UP (CLEAR) | 0300504 |
| 7. SCREW, LENS | 0300500 |



MARKER LIGHTS - RED & AMBER

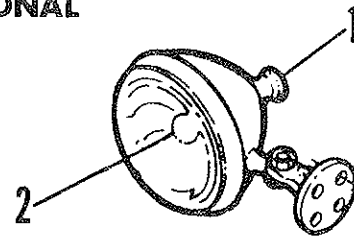
- | | |
|---------------------------------|---------|
| 1. LIGHT, RED MARKER (COMPLETE) | 0300427 |
| 2. LIGHT, AMBER MARKER (CPL) | 0300428 |
| 3. BULB, MARKER LIGHT | 0300507 |
| 4. LENS, RED MARKER | 0300508 |
| 5. LENS, AMBER MARKER | 0300510 |
| 6. GUARD, MARKER LIGHT (OPT) | 0300242 |



LICENSE PLATE ILLUMINATOR

- | | |
|-------------------------------|---------|
| 1. LICENSE PLATE ILLUM. (CPL) | 0300273 |
| 2. BULB, LICENSE PLATE ILLUM. | 0300512 |

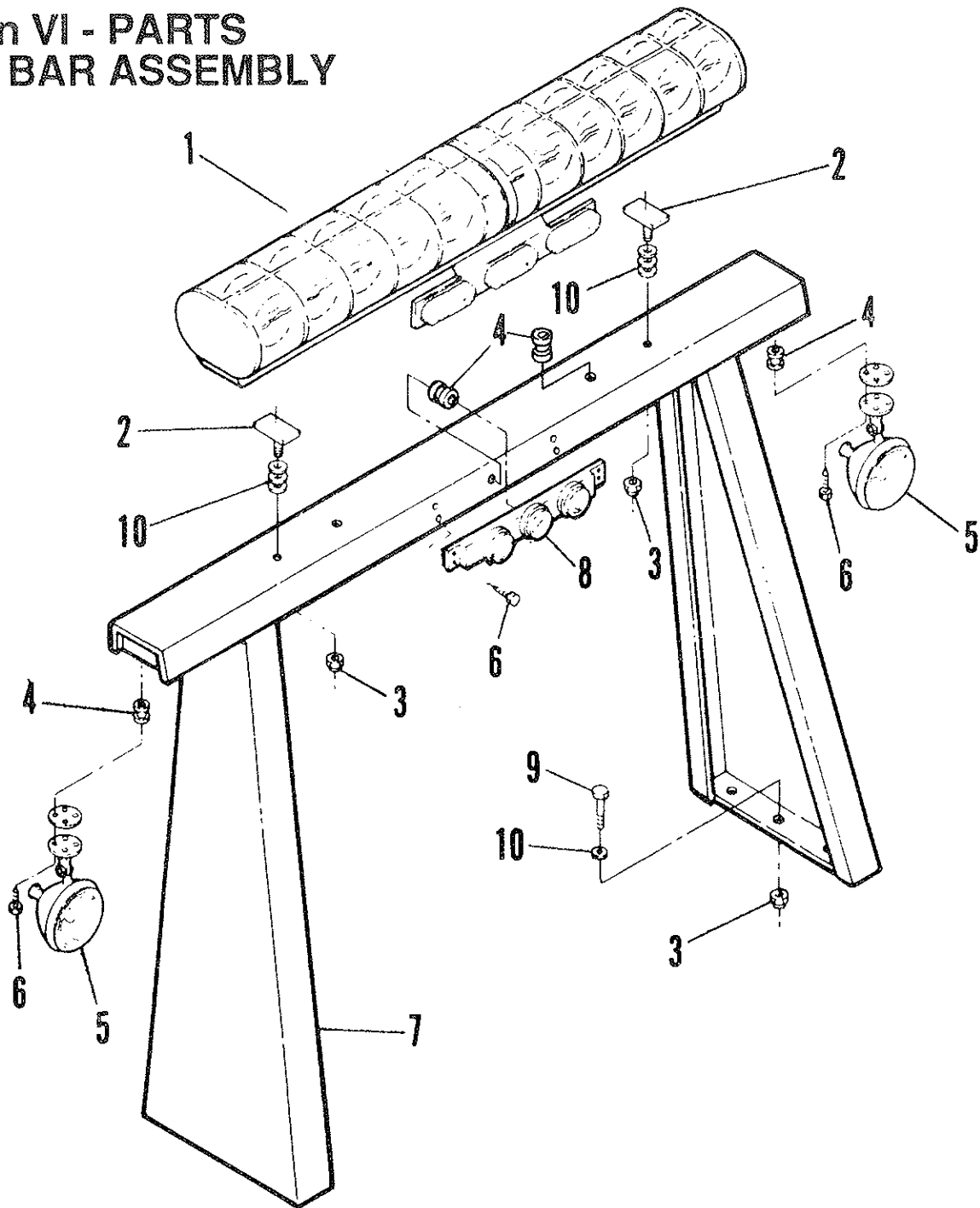
OPTIONAL



HAND OPERATED SPOTLIGHTS

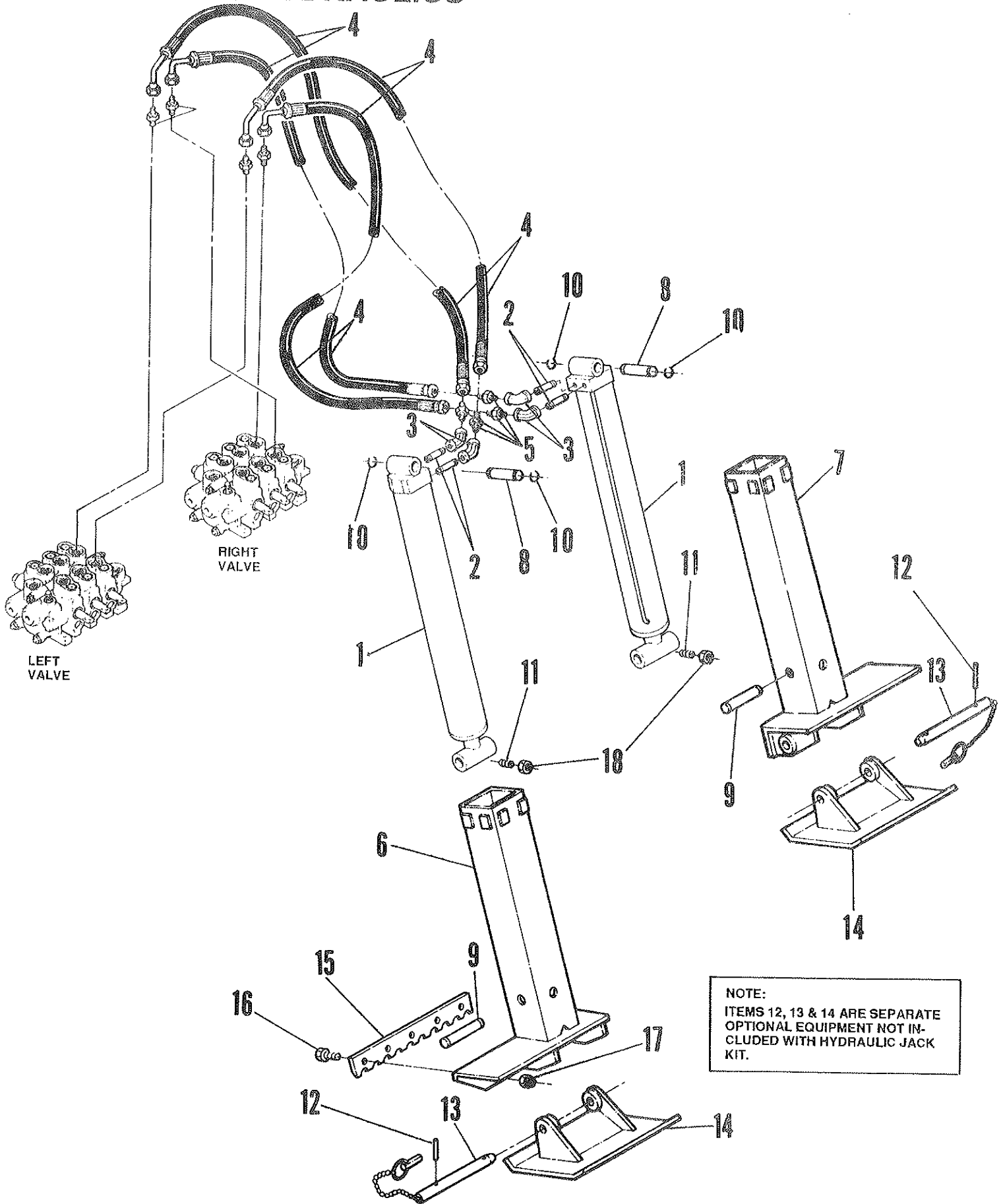
- | | |
|-------------------------|---------|
| 1. SPOTLIGHT (COMPLETE) | 0300095 |
| 2. BULB, SPOTLIGHT | 0300700 |

Section VI - PARTS LIGHT BAR ASSEMBLY



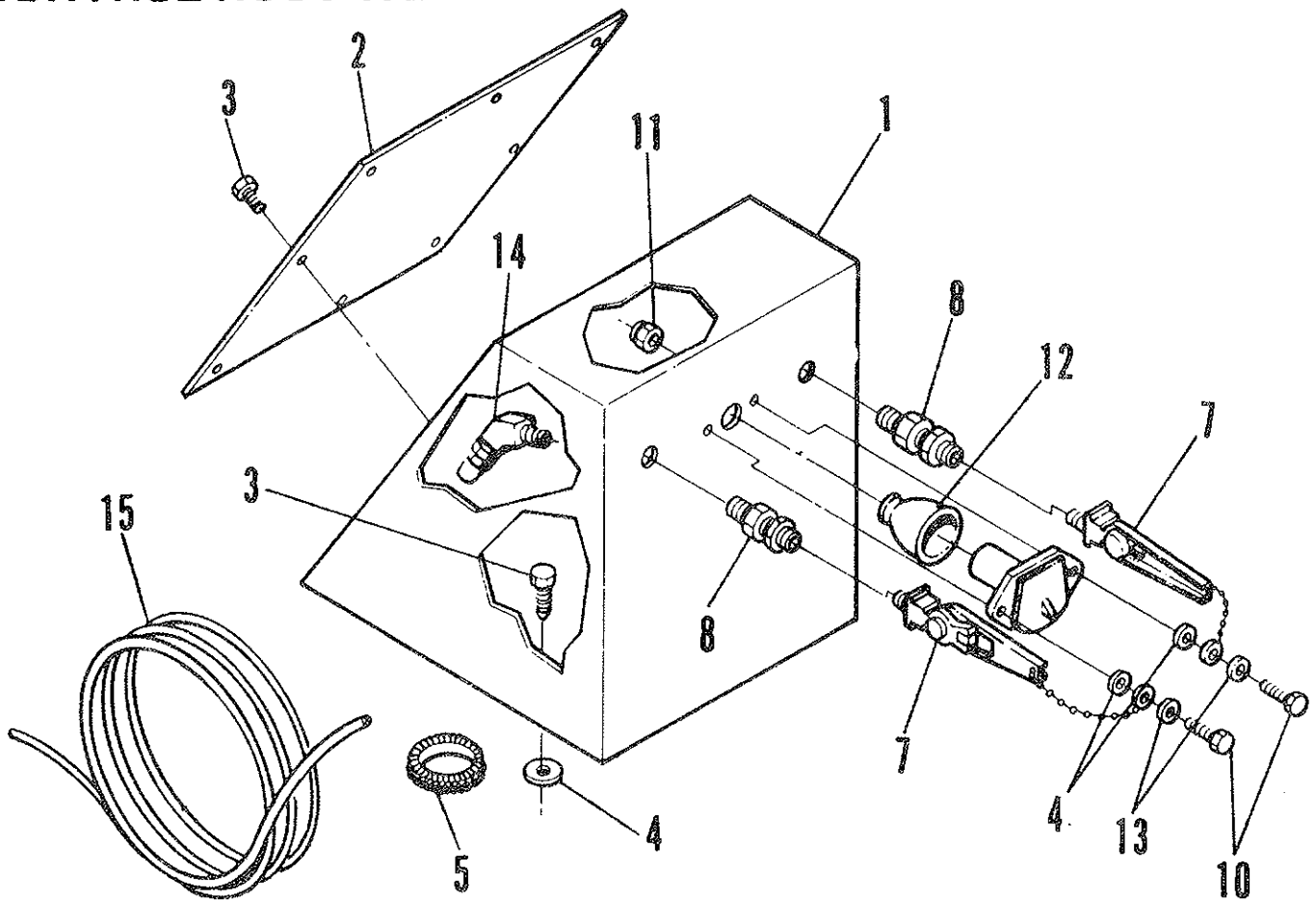
REF. NO.	NO. REQ'D.	PART NUMBER	DESCRIPTION
1	1	0301359	WRECKER SPECIAL LIGHT
2	2	0800539	"T" BOLT ADAPTOR
3	8	0400392	NUT, 3/8" - 16 HEX. NYLON LOCK
4	4	0300117	RUBBER GROMMET
5	2	0300095	SPOTLIGHT W/GASKET
6	12	0400027	SCREW, #8 - 32 x 5/8" LG. SELF TAPPING
7	1	0800879	LIGHT BAR FOR WRECKER, 36"
-	1	0800933	LIGHT BAR FOR WRECKER, 44 1/2"
8	1	0300442	3 BAR LIGHT
9	6	0400122	SCREW, 3/8" - 16 x 1 1/4" LG. HEX. HD.
10	12	0400480	FLATWASHER, 3/8"

Section VII - OPTIONAL EQUIPMENT REAR JACKS HYDRAULICS



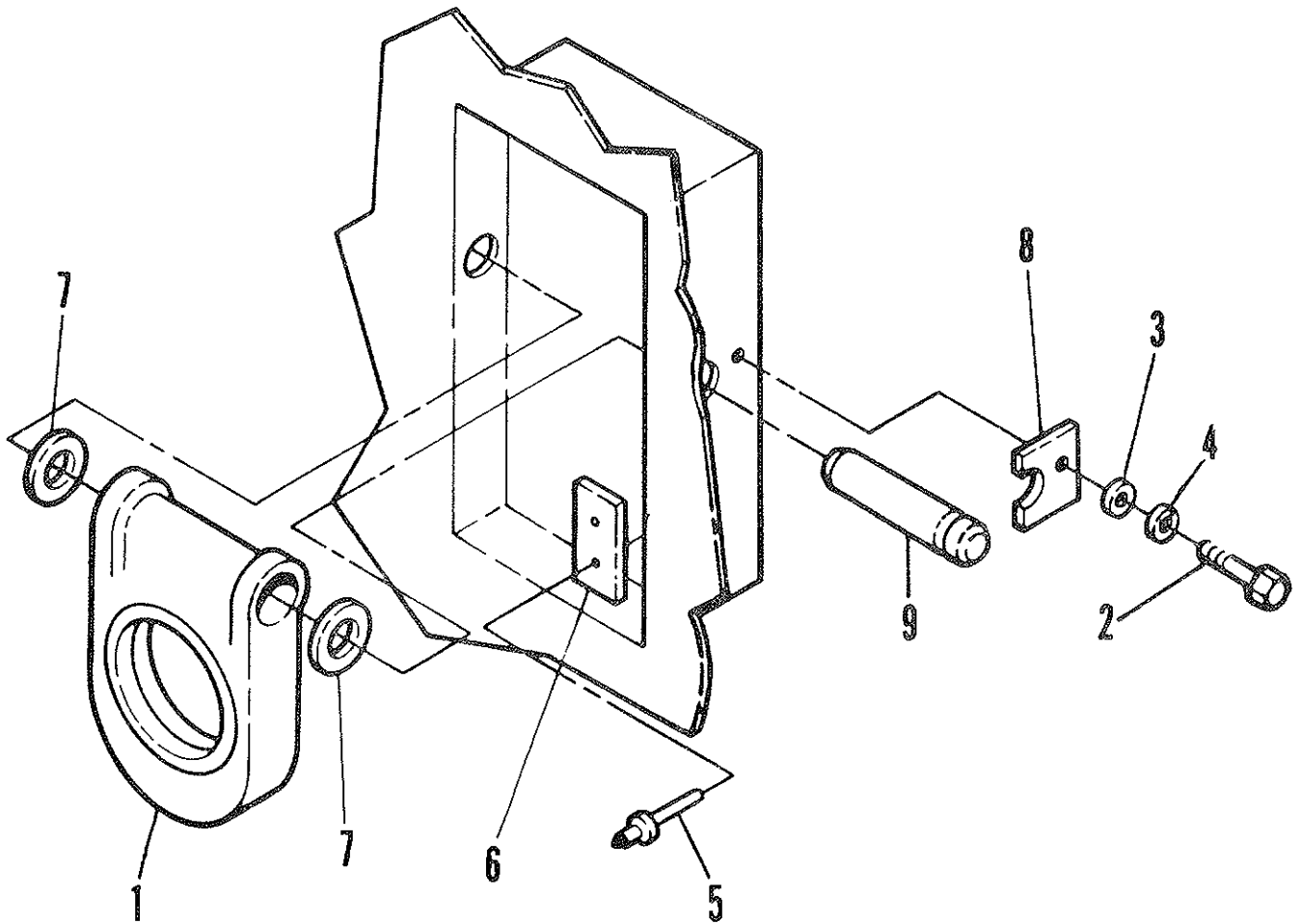
NOTE:
ITEMS 12, 13 & 14 ARE SEPARATE
OPTIONAL EQUIPMENT NOT IN-
CLUDED WITH HYDRAULIC JACK
KIT.

Section VII - OPTIONAL EQUIPMENT CONTROL HOUSING ASSEMBLY



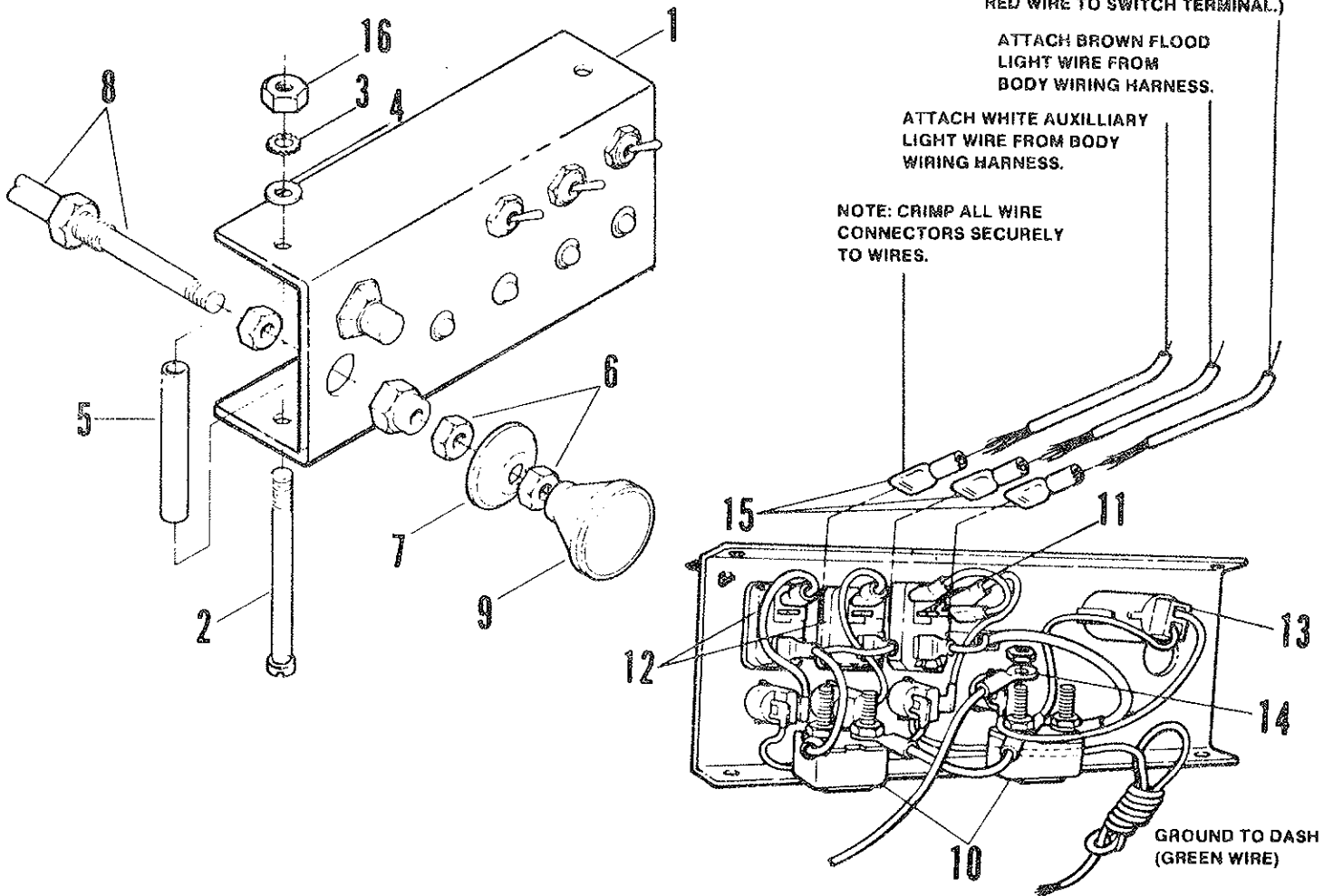
REF. NO.	NO. REQ'D.	PART NUMBER	DESCRIPTION
—	—	1100441	CONTROL HOUSING - COMPLETE
—	—	0900973	HOUSING ASS'Y., GLAD HAND
1	1	0801099	HOUSING, WELDED GLAD HAND
2	1	0703797	LID HOUSING, WELDED
3	9	0400062	SCREW, 1/4"-20 X 3/4" LG. HEX. HD., SELF-TAPPING ZP
4	4	0400451	FLATWASHER, 1/4", ZP
5	1	0301862	GROMMET
6	2	0301944	GLAD HAND COUPLING
7	2	0301945	GLAD HAND PLUG
8	2	0301946	CONNECTOR
9	1	0301948	H.D. 7-WAY TRAILER CONNECTOR
10	2	0400070	SCREW, 1/4"-20 x 1" LG. HEX. HD. CAP, GR.5, ZP
11	2	0400367	NUT, 1/4"-20 NYLON LOCK HEX., ZP
12	1	0301909	RECEPTACLE BOOT
13	2	0400463	FLATWASHER, 5/16", ZP
14	2	0301947	ADAPTOR, 1/4 NPTM X 3/8" SYN. HOSE
15	2	0703795	HOSE. 3/8" x 4" LG. SYN.

Section VII - OPTIONAL EQUIPMENT
"D" - RING



REF. NO.	NO. REQ'D	PART NUMBER	DESCRIPTION
1	2	0301102	HEAVY DUTY "D" RING
2	2	0400121	SCREW, 3/8" - 16 x 3/4", CAP HEX GR. 5
3	2	0400480	WASHER, 3/8" FLAT, ZINC PL.
4	2	0400482	LOCKWASHER, 3/8" HELICAL, ZINC PL.
5	4	0400566	RIVET, 1/4" PLATED
6	2	0701421	BUMPER
7	4	0701616	WASHER, SHAFT
8	2	0701693	RETAINER, "D" RING SHAFT
9	2	0701694	SHAFT, 1 3/8" DIA.

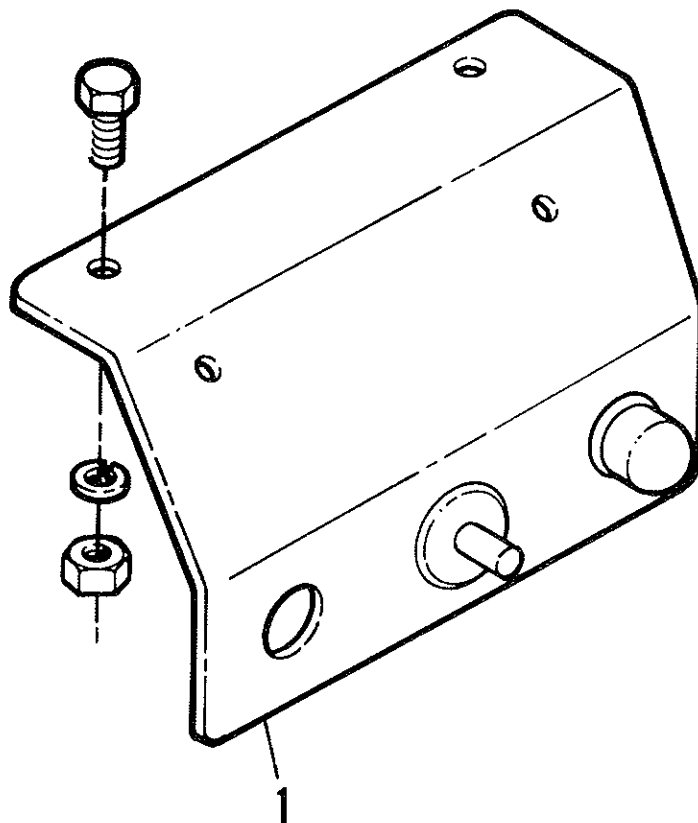
Section VII - OPTIONAL EQUIPMENT DASHBOARD PANEL



REF. NO.	NO. REQ'D.	PART NUMBER	DESCRIPTION
1	1	0304155	SWITCH PANEL HOUSING
2	2	0304156	MTG. SCREW #10-32 X 3-3/8"
3	2	0304157	LOCKWASHER, #10 EXT. TOOTH
4	2	0304158	FLATWASHER, #10
5	2	0304159	SPACER TUBE
6	2	0304160	JAM NUT
7	1	0304161	ACTUATOR DISK
8	1	0301421	PTO CABLE, 14FT.
9	1	0304163	PTO KNOB
10	2	0304162	CIRCUIT BREAKER, 40 AMP
11	1	0304154	SWITCH, DOUBLE POLE, SINGLE THROW
12	2	0304006	SWITCH, SINGLE POLE, SINGLE THROW
13	1	0304164	PTO LIGHT SWITCH
14	1	0301503	RING CONNECTOR
15	3	0304165	SPADE CONNECTOR
16	2	0304166	NUT, 10-32

Section VII - OPTIONAL EQUIPMENT

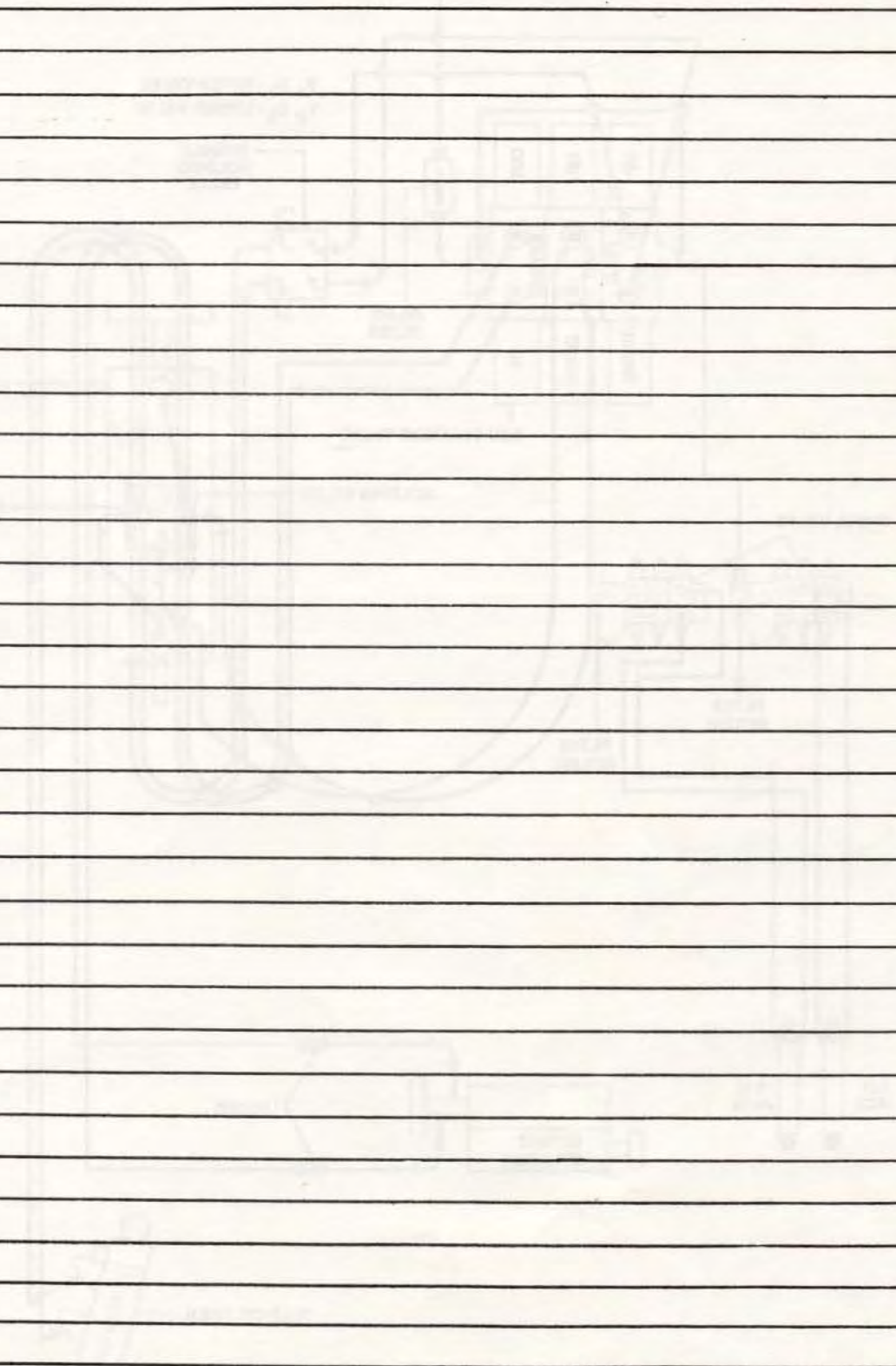
PTO PANEL



REF. NO.	NO. REQ'D.	PART NUMBER	DESCRIPTION
1	1	03011675	PANEL (COMPLETE)

NOTES

A series of horizontal lines for writing notes, with a faint background diagram of a mechanical system.



**CENTURY
WRECKER
CORPORATION**

175 W. Colman Exp. #11 • 6503 Hefco Drive • Colman, Tennessee 37353 • (615) 238-4171
Mailing Address: P.O. Box 123 • Colman, Tennessee 37353 • Telex: 858267 CENWKRTR UD