



CAP-START 
START-ALL
 3000 AMPS • 12/24 VOLTS

Don't Let A Dead Battery Ruin Your Work Day!

Inevitably, batteries fail, but that doesn't mean work has to stop. The all-new revolutionary Vanair® Cap•Start® 3000 delivers instantaneous starting power for all of your vehicle needs, including heavy-duty machinery, company fleets, and off-road vehicles. Completely portable, the Cap•Start® 3000 goes wherever you need it to go. Plus, with our innovative fast-charging Vanair® Super Capacitor (VSC™), you can now start and charge vehicle after vehicle within seconds of each other, eliminating lengthy lag time. The Cap•Start® 3000 offers:

- 3000+ AMPS of Instantaneous Starting Power
- 12V and 12V/24V Charging and Starting Capabilities
- 240 AMP 3-Stage Alternator for Fast Recharging
- Industry-leading Vanair® Super Capacitor (VSC™)
- Cap•Start® 3000 + Air Also Available, Featuring a 24 CFM Reciprocating Air Compressor

SPECIFICATIONS	
12V & 12V/24V Starting	Up to 3240 AMP Starting Capability
Fuel Capacity	Integrated 1.725 Gallon Tank
Fuel Type	Gasoline
Engine Type	14.5 HP* Briggs & Stratton®
Drive System	V-Belt
Battery	Integrated
DC Alternator	240 AMP, 12VDC/24VDC

Cap•Start® 3000 Unit Dimensions with Fittings (In.): 36L x 21W x 20H
 Dry Weight (Lbs): 295 (cables not included in weight)



Look for the logo that delivers built-in safety!

The innovations in safety technology include: reverse polarity, low voltage protection, short circuit, overheat protection, over discharge protection, over voltage protection, and open-clamp protection.

CAP-START

START-ALL

3000 AMPS • 12/24 VOLTS

PERFORMANCE

- Vanair® Super Capacitor (VSC™)
- 3000 + AMPS Starting Capability
- 12V & 24V Charge & Start
- 240 AMP 3-Stage Alternator
- 14.5 HP Briggs & Stratton®
- Heavy-Duty Belt Drive System

STARTING CABLES

- 30 Feet of 3/0 Polar-Grade Cable
- UL/AWG Specification Compliant
- Fine Stranded, Flexible Copper Wire
- Cold Weather Flexibility
- Tangle Resistant
- Chemical, Abrasion and Water Resistant
- Extruded Polarity Stripe for Safety Identification

CONTROL PANEL

- Engine Start/Stop Function
- Hour Meter
- Voltage Output Display
- Charge/Start Mode Selector
- Mode Indicator Lights
- System Fault Lights

CONVENIENCE

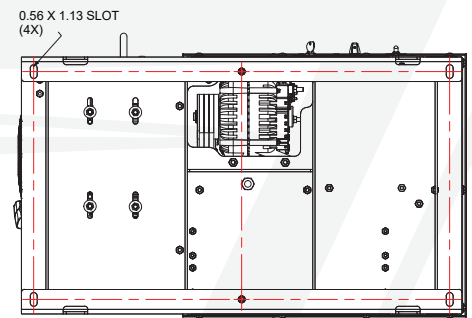
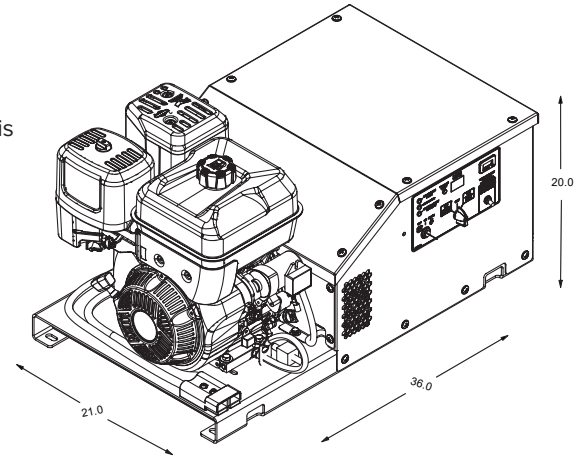
- Integrated Lifting Points
- Tough, Powder Coated Sheet Metal
- Corrosion-Resistant Galvanneal Steel Canopy
- Anderson Connector at Machine
- Gasoline Fuel

SAFETY

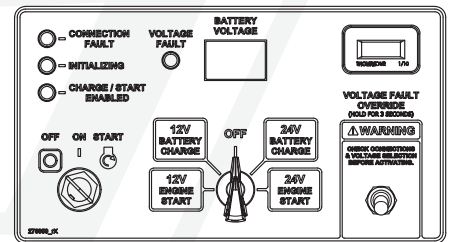
- Weather-Protected Electrical Enclosure
- Reverse Polarity Protection
- Open, Closed or Low Circuit Safety
- Low Engine Oil Pressure Shut Down
- Engine Over Temperature Shut Down
- Smart, Self-Regulating 3-Stage Charging System

OPTIONS/ACCESSORIES

- Industrial 3/0 Starting Cables (25, 30 & 35 Ft. Lengths)
- Vibration Isolators
- Cable Kits for Connection to Chassis Battery
- Maintenance Kit
- Cold Weather Kits
- 24 CFM Air Compressor



MOUNTING HOLES



CONTROL PANEL

Vanair reserves the right to make changes in engineering, design, and specifications; add improvements; or discontinue manufacturing at any time without notice or obligation. Vanair, Goodall, and Cap-Start, the corresponding logos and WE START ENGINES, are registered logos or trademarks of Vanair Manufacturing, Inc., Michigan City, IN, USA. ©2021 All Rights Reserved.



800.526.8817 | vanair.com

10896 West 300 North | Michigan City, Indiana 46360 USA



CAPSTART3000_09202021_NML