

CENTURY®

LEGENDARY LEADERSHIP



OWNER'S MANUAL

614 / FIIT ALUMINUM BODY

INSTALLATION, OPERATION, MAINTENANCE & PARTS

**NOTE: MANUAL including SPECIFICATIONS, subject to change without notice
All ratings specified are based on structural factors only,
not vehicle capacities or capabilities.**

CENTURY®

Miller Industries Towing Equipment Inc.

8503 Hilltop Drive

Ooltewah, Tennessee 37363

Phone (423) 238-4171 • FAX (423) 238-5371

FORM NO. 0501634

07 / 2007

PRICE \$25.00

LIMITED WARRANTY

MILLER INDUSTRIES TOWING EQUIPMENT INC., hereinafter referred to as MILLER, warrants to the original purchaser that each new MILLER wrecker or other MILLER products will be free from defects in material and workmanship for a period of twelve (12) months from date placed in service, but in no event shall such warranty period exceed twenty-four (24) months from date of manufacture by MILLER. The purchaser must promptly notify MILLER in writing of any failure in material or workmanship. In no event shall MILLER accept such notification later than twenty-four (24) months from date of delivery or twelve (12) months from date placed in service, whichever is earlier.

MILLER's obligation under this warranty, statutory or otherwise, is limited to the repair or replacement at the MILLER factory, or at a point designated by MILLER, of such part or parts as shall appear upon inspection by MILLER to be defective in material or workmanship. New or remanufactured parts will be used for any replacement at MILLER's option. This warranty is not transferable. This warranty does not obligate MILLER to bear the cost of labor or transportation charges in connection with the repair or replacement of any parts found to be defective, nor shall it apply to a product upon which repairs or alterations have been made unless authorized by MILLER.

EXCEPT AS EXPRESSLY SET FORTH IN THIS WARRANTY, MILLER MAKES NO OTHER WARRANTY, EXPRESS OR IMPLIED, AND HEREBY DISCLAIMS ALL OTHER WARRANTIES INCLUDING, BUT NOT LIMITED TO, THE IMPLIED WARRANTIES OF MERCHANTABILITY AND FITNESS FOR A PARTICULAR PURPOSE. MILLER shall in no event be liable for claimed downtime, claimed loss of profits or goodwill, or any other special, incidental, indirect, or consequential damages concerning or relating to any product or parts, whether based on negligence, strict liability, breach of contract, breach of warranty, misrepresentation or any other legal theory, regardless of whether the loss resulted from any general or particular requirement which MILLER knew or had reason to know about at the time of sale.

MILLER MAKES NO WARRANTY, EXPRESS OR IMPLIED, AS TO THE FINISHED PRODUCTS MANUFACTURED OR SUPPLIED BY ANOTHER MANUFACTURER AND SUPPLIED BY MILLER TO PURCHASER, including, but not limited to, any vehicle to which a MILLER product may be affixed or any accessories or wire rope, and MILLER EXPRESSLY DISCLAIMS ANY IMPLIED WARRANTIES OF MERCHANTABILITY OR FITNESS FOR A PARTICULAR PURPOSE AS TO SUCH EQUIPMENT OR PRODUCTS. This language shall in no way affect or diminish the rights of the purchaser to rely on such warranties as are extended by such manufacturers or suppliers. MILLER shall, to the extent permitted under applicable law, pass on to the purchaser such manufacturer's or seller's warranty.

MILLER, whose policy is one of continuous improvement, reserves the right to improve its products through changes in design or materials as it may deem desirable without being obligated to incorporate such changes in products previously sold. This warranty is not intended to cover or include the following items, which are set forth by way of example and not limitation:

- A. Normal deterioration of trim, paint, lettering, and appearance items due to wear or exposure to weather, road conditions, road treatments, etc.
- B. Any damage or defect due to accident, misuse, abuse, improper or unauthorized repairs, failure to provide reasonable and necessary maintenance, or uses for which the equipment was not designed or intended.
- C. Alterations or modifications that affect performance, operation or reliability.
- D. Normal maintenance parts including, but not limited to, wear pads, bushings, wire rope, mud flaps, fenderettes, light bulbs, hydraulic oil, filters, and tow sling belts.

IT IS EXPRESSLY UNDERSTOOD THAT MILLER MAKES NO IMPLIED WARRANTY THAT MILLER PRODUCTS SHALL BE FIT FOR THE PURPOSE OF LIFTING OR MOVING PEOPLE OR FOR ANY OTHER IMPROPER USE.



Miller Industries Towing Equipment Inc.
8503 Hilltop Drive
Ooltewah, Tennessee 37363

SERIAL NUMBER

Telephone (423) 238-4171

Section VI - PARTS

This Section is provided by the manufacturer for the purpose of ordering any component part of the **CENTURY 614 Wrecker / Formula II T Underlift** that may be required when part replacement is necessary. Be certain to use only original equipment replacement parts for warranty purposes as well as for keeping your **CENTURY 614 Wrecker / Formula II T Underlift** in its original state and optimum operating capacities.

When ordering replacement or spare parts be sure to provide the following information to the manufacturer's **Parts Department**.

1. **Manual Number & Date of Publication**
2. **Manual Page Number**
3. **Page Title**
4. **Reference Number of Part Desired**
5. **Part Number**
6. **Part Description**
7. **Quantity of Part Desired**

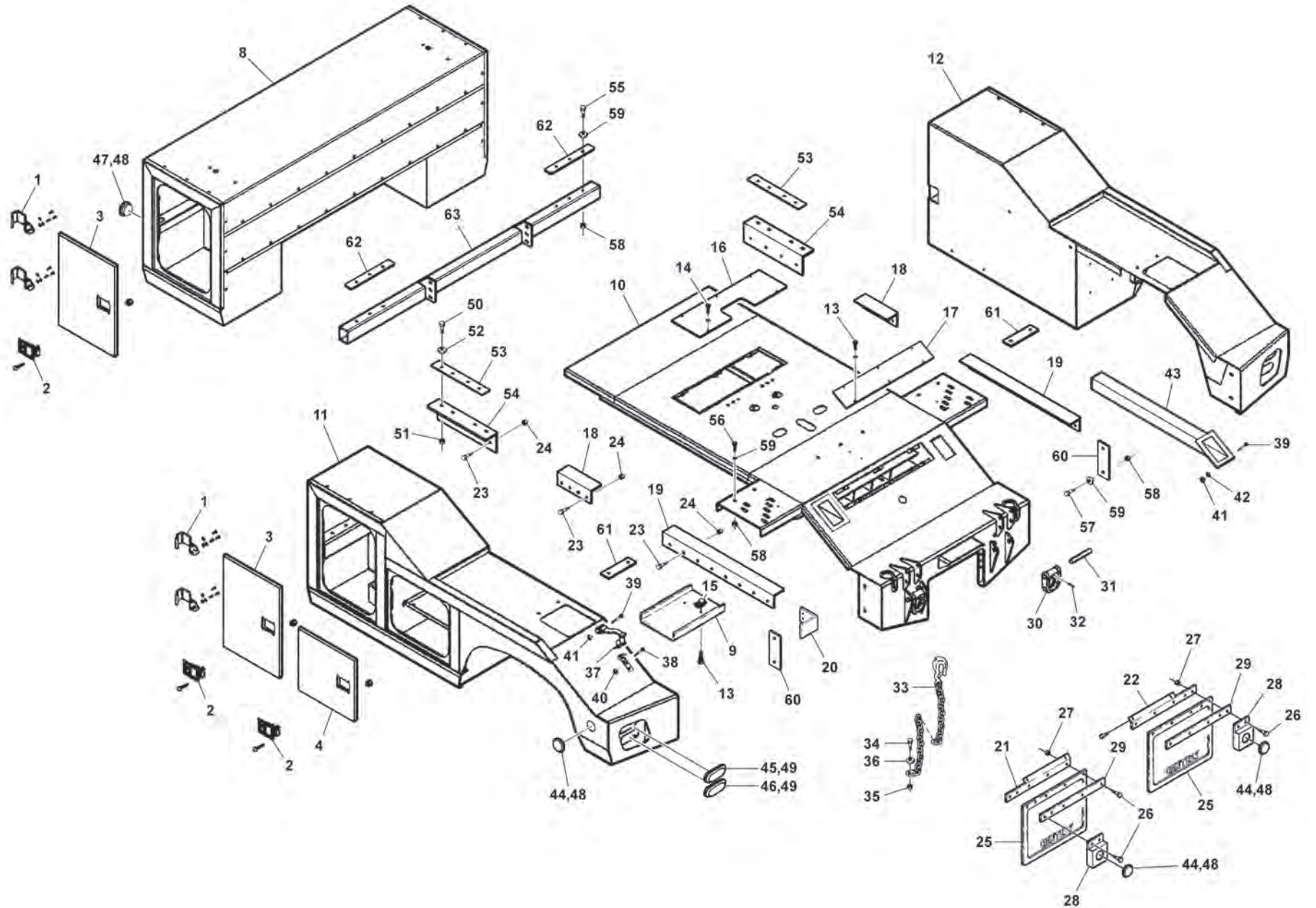
Providing this information will help ensure that the correct parts will be delivered to you in an expedient manner without delay. Should additional information be required for repair or replacement of certain components, contact your Wrecker Manufacturer Authorized Representative.

The Manufacturer reserves the right, without notice or obligation, to improve or modify their products, which may change the specifications, models and feature availability.

Section VI - PARTS (cont'd) BODY ASSEMBLY

Section VI - PARTS (cont'd)

BODY ASSEMBLY



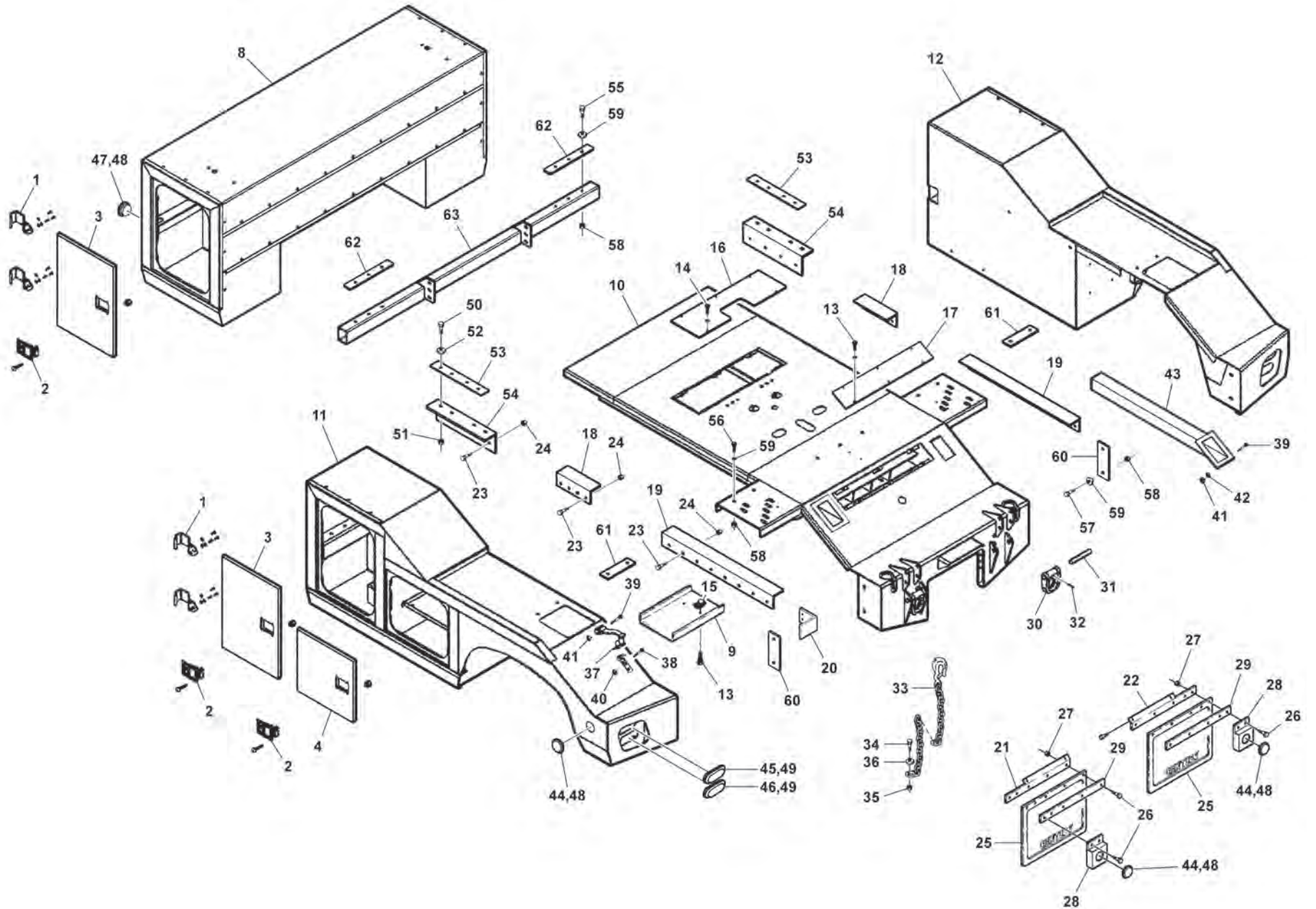
Section VI - PARTS (cont'd)
BODY ASSEMBLY

Section VI - PARTS (cont'd)
BODY ASSEMBLY (cont'd)

REF. NO.	NO. REQ'D	PART NUMBER	DESCRIPTION
--	--	0907555	614 FII/T BASIC UNIT
--	--	0907557	SUBFRAME ASSEMBLY
1	12	54635	DOOR HINGE
2	6	54658	ROTARY PADDLE LATCH
3	4	54660	FRONT DOOR
4	2	54670	REAR DOOR
5	6	0300032	PLUG, 1" DIA HOLE D-4290
6	4	0301334	CATERPILLER GROMMET, 1/2"
7	2	0301862	CATERPILLAR GROMMET, 1/4"
8	1	0307303	TUNNEL BOX ASSEMBLY
9	2	0714649	MUDGUARD, CONTROL STATION
10	1	17548004	SUBFRAME WELDMENT
11	1	0307301	LH BODY WELDMENT
12	1	0307302	RH BODY WELDMENT
13	8	0400066	1/4"-20 X 3/4" HHCS GR5 ZP
14	5	0400070	1/4"-20 X 1" HHCS GR5 ZP
15	8	0400369	1/4" J TYPE TINNERMAN
16	1	0714384	ACCESS COVER
17	1	0714514	ACCESS COVER, REAR
18	2	0705492	ANGLE, FRONT MTG
19	2	0705493	ANGLE, REAR MTG
20	2	0706553	ANGLE, MTG TAILGATE
21	1	0709093	ANGLE, LT MUDFLAP MTG
22	1	0709094	ANGLE, RT MUDFLAP MTG
--	--	0901302	KIT, HARDWARE, BODY MTG
23	30	0400264	5/8"-11 X 2.25" HHCS GR5 ZP
24	30	0400421	5/8"-11 NYLOK HEX NUT ZP
--	--	0901312	KIT, MUD FLAP-712
25	2	0301223	MUD FLAP, 820 EXP
26	10	0400122	3/8"-16 X 1.25" HHCS GR5 ZP
27	10	0400392	3/8"-16 NYLOK HEX NUT ZP
28	2	0710198	BRACKET, MARKER LIGHT
29	2	0705092	BAR, MUDFLAP
--	--	0902842	KIT, D-RING
30	2	0712380	D-RING
31	2	BA0259	PIN, D-RING
32	2	HD0106	1/4" X 1.75" SPRING PIN ZP

Section VI - PARTS (cont'd)

BODY ASSEMBLY (cont'd)



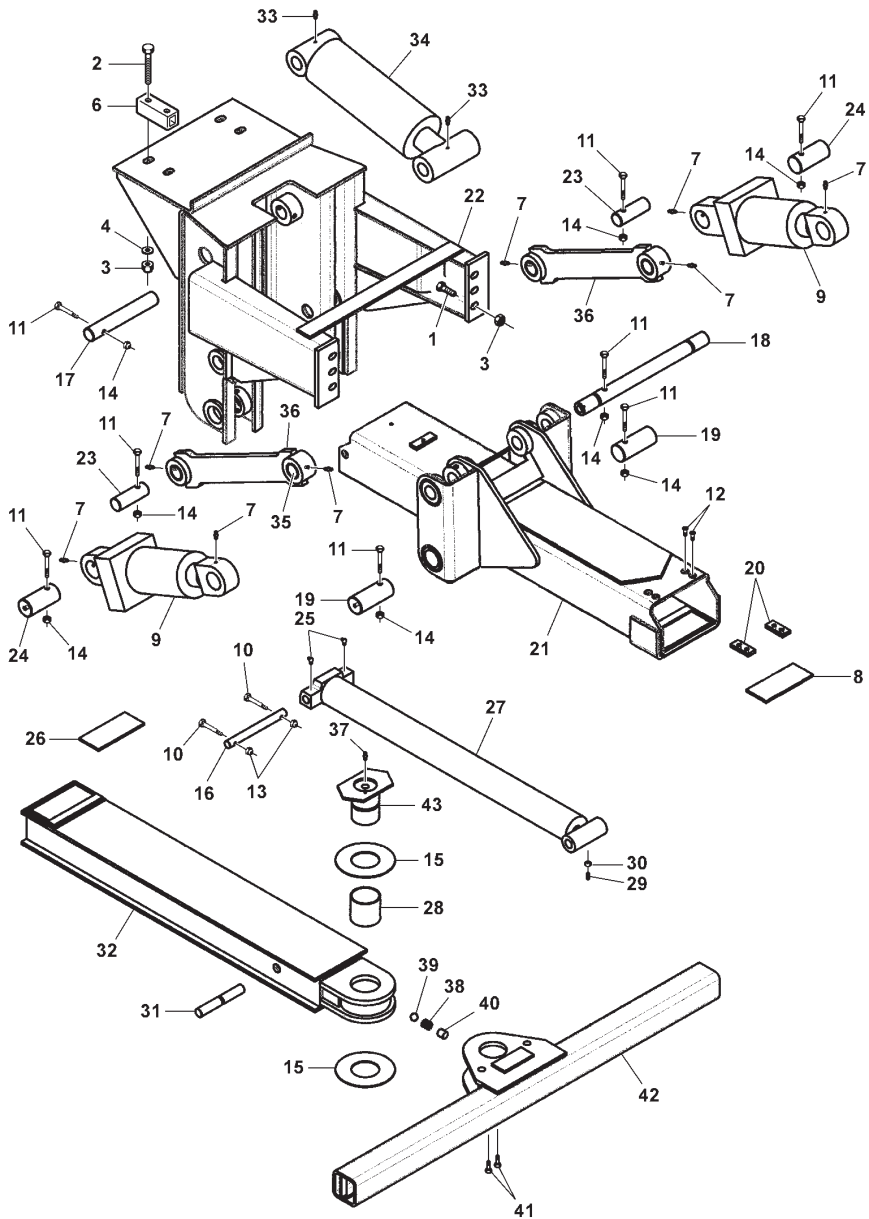
Section VI - PARTS (cont'd)

BODY ASSEMBLY (cont'd)

REF. NO.	NO. REQ'D	PART NUMBER	DESCRIPTION
--	--	0907330	KIT, SAFETY CHAIN
33	2	0303196	CHAIN ASSEMBLY, 3/8" ALLOY
34	2	0400122	3/8"-16 X 1.25" HHCS GR5 ZP
35	2	0400392	3/8"-16 NYLOK HEX NUT ZP
36	2	0400480	3/8" FLAT WASHER ZP
--	--	0903165	KIT, STORAGE TUBE 552
37	2	GR400	RUBBER CATCH HOOD, HD 8"
38	4	0400036	#10-32 X 1" RD HD MCH HD SCR ZP
39	10	0400070	1/4"-20 X 1" HHCS GR5 ZP
40	4	0400357	#10-32 NYLOK HEX NUT ZP
41	10	0400367	1/4"-20 NYLOK HEX NUT ZP
42	16	0400451	1/4" FLAT WASHER ZP
43	2	0802565	TUBE, STORAGE, 552 L-ARM
--	--	0908785	LIGHT KIT, 614
44	4	0301741	SEALED MARKER LIGHT, RED
45	2	0303123	STOP & TURN LIGHT, RED
46	2	0303124	BACKUP LIGHT, CLEAR
47	2	0303126	MARKER (SEALED), AMBER
48	6	0303127	GROMMET, MARKER FOR 2.5"
49	4	0303128	GROMMET, TAILLIGHT
--	--	17549055	KIT, TUNNEL BOX MOUNTING
50	8	0402062	BOLT, HEX 1/2"-13 X 2" 316 SS
51	8	0402130	NUT, NYLOK 1/2"-13 316 SS
52	16	0402131	WASHER, 1/2" FLAT 316 SS
53	2	17547054	MOUNTING RUBBER, TUNNEL BOX
54	2	17547056	ANGLE, TUNNEL BOX MOUNTING
--	--	17549060	KIT, BODY MOUNTING
55	6	0402060	BOLT, HEX 1/2"-13 X 5" 316 SS
56	10	0402061	BOLT, HEX 1/2"-13 X 1-1/2" 316 SS
57	4	0402062	BOLT, HEX 1/2"-13 X 2" 316 SS
58	20	0402130	NUT, NYLOK 1/2"-13 316 SS
59	40	0402131	WASHER, 1/2" FLAT 316 SS
60	2	17547051	MOUNTING RUBBER, TAILGATE
61	2	17547052	MOUNTING RUBBER, CONTROL
62	2	17547053	MOUNTING RUBBER, FRONT
63	1	17548046	FRONT MOUNTING TUBE WELDMENT

Section VI - PARTS (cont'd)

FORMULA IIT UNDERLIFT ASSEMBLY



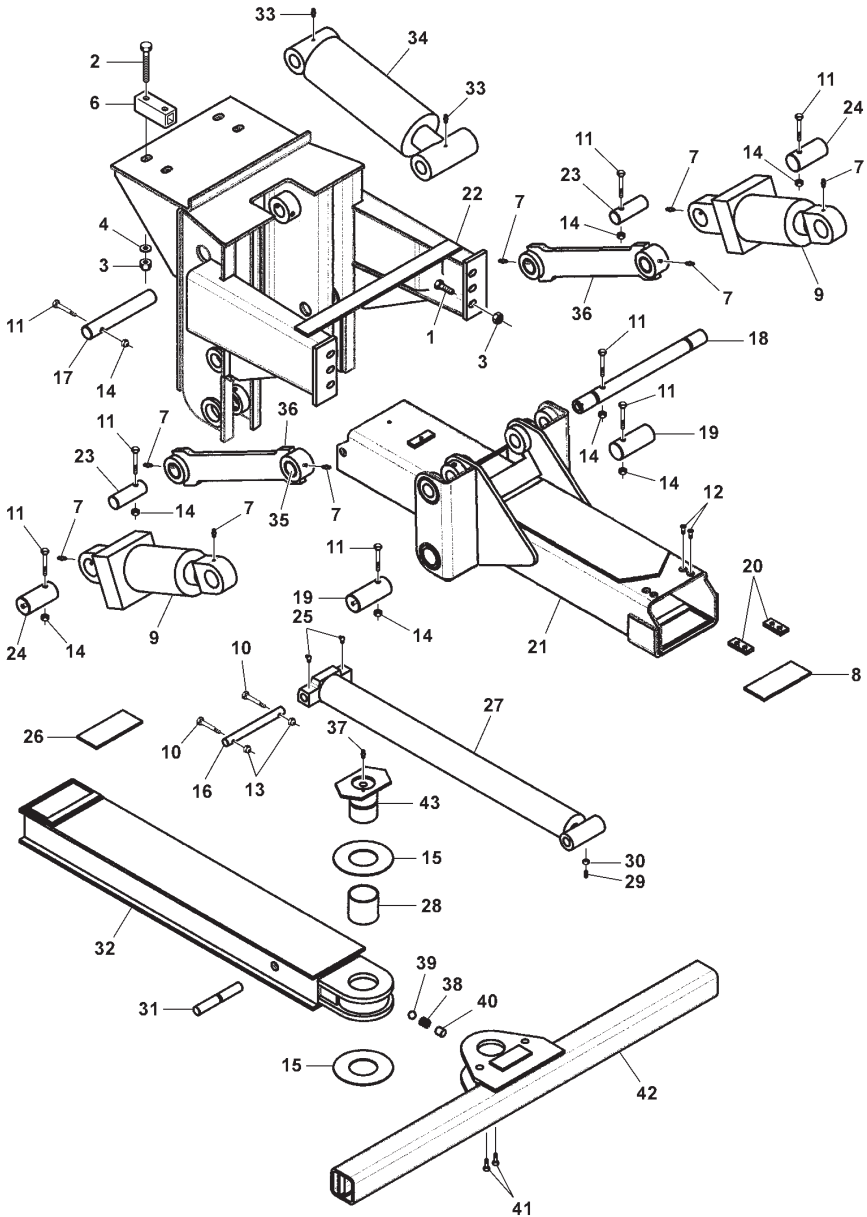
Section VI - PARTS (cont'd)

FORMULA IIT UNDERLIFT ASSEMBLY

REF. NO.	NO. REQ'D	PART NUMBER	DESCRIPTION
--	--	0903530	HARDWARE, MTG F6500
1	4	0400264	5/8"-11 X 2-1/4" HHCS GR5 ZP
2	4	0400265	5/8"-11 X 4" HHCS GR5 ZP
3	8	0400421	5/8"-11 NYLOK HEX NUT ZP
4	12	0400506	5/8" FLATWASHER ZP
5	2	0701941	PLATE, W/L FRAME SPACER
6	2	0702157	TUBE, SPACER- FI W/L
--	--	0907389	W/L ASSEMBLY - FII/T
7	8	0300113	GREASE FITTING, ALEMITE
8	1	0301582	SLIDE PAD
9	2	0307117	CYLINDER, HYD TILT FIII
10	2	0400078	1/4"-20 X 2" HHCS GR5 ZP
11	8	0400130	3/8"-16 X 3.5" HHCS GR5 ZP
12	4	0400152	3/8"-24 X 5/8" FLAT HEAD
13	2	0400367	1/4"-20 NYLOK HEX NUT GR5 ZP
14	8	0400392	3/8"-16 NYLOK HEX NUT GR5 ZP
15	2	0710092	THRUST WASHER, 6500 W/L
16	1	0714088	PIN, EXT CYL BASE
17	1	0714182	PIN, LIFT CYL BASE
18	1	0714349	PIN, LIFT CYL (ROD)
19	2	0714350	PIN, TILT CYL (ROD)
20	2	0714761	STOP PLATE, OUTER BOOM
21	1	0803988	OUTER BOOM WELDMENT, FII/T
22	1	0804170	W/L FRAME, FII/T
--	1	0904630	INNER BOOM ASSEMBLY-FII/T
--	1	0904632	LIFT CYLINDER ASSEMBLY
--	2	0906419	UPPER LINK ASSEMBLY, FII/T
--	1	0906853	CROSSBAR ASSEMBLY (56") W/CNTR BORE

Section VI - PARTS (cont'd)

FORMULA IIT UNDERLIFT ASSEMBLY (cont'd)



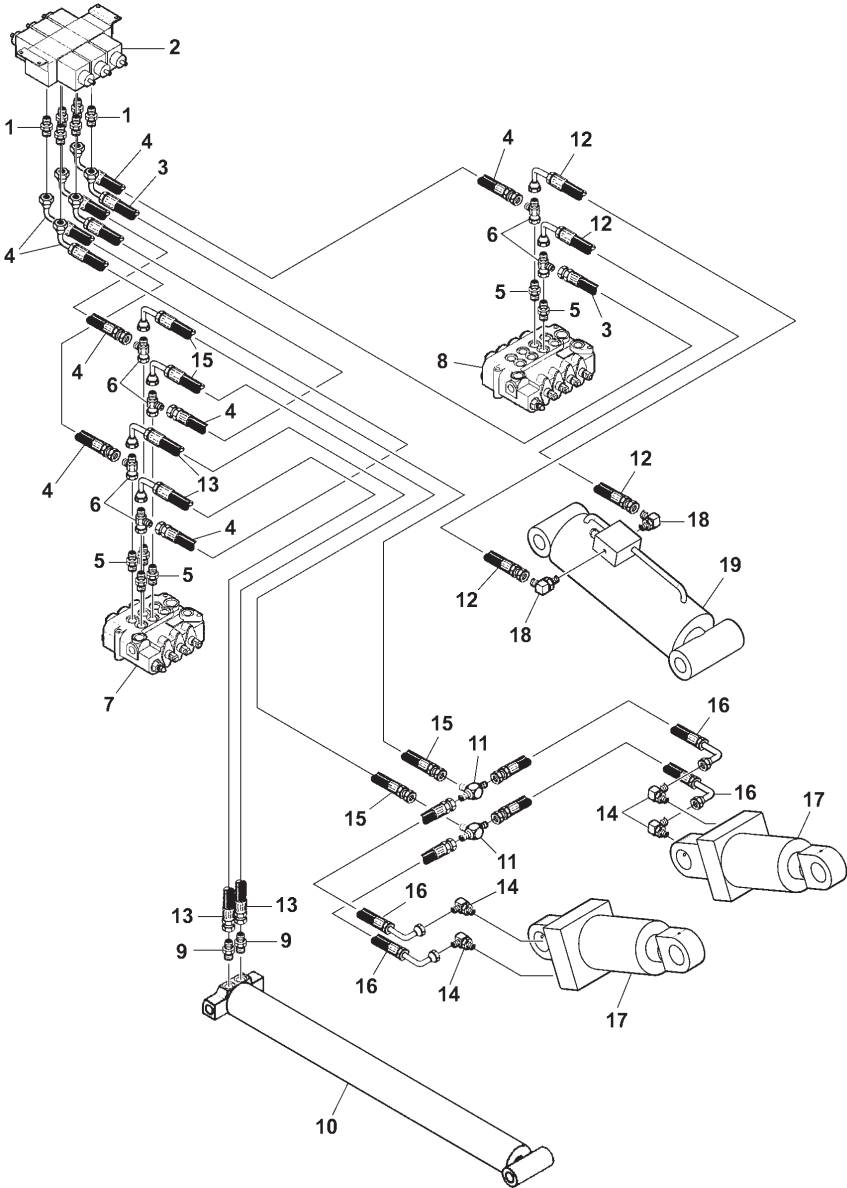
Section VI - PARTS (cont'd)

FORMULA IIT UNDERLIFT ASSEMBLY (cont'd)

REF. NO.	NO. REQ'D	PART NUMBER	DESCRIPTION
--	--	0904631	W/L ASSEMBLY - FII/T (cont'd)
23	2	HD67B	PIN, UPPER LINK
24	2	HD68B	PIN, LOWER LINK
--	--	0904630	INNER BOOM ASSEMBLY-FII/T
25	2	0301397	GREASE FITTING, 90 DEG
26	1	0301582	SLIDE PAD
27	1	0303065	CYL, HYD EXT, F6500 W/L
28	1	0306748	AL BRONZE BUSHING 0301914
29	1	0400139	3/8"-16 X 1.5" HEX SKT SET
30	1	0400392	3/8"-16 NYLOK HEX NUT ZP
31	1	0709536	PIN, EXTEND CYL, ROD
32	1	0803966	INNER BOOM WELDMENT
--	--	0904632	LIFT CYLINDER ASSEMBLY
33	2	0300113	GREASE FITTING, ALEMITE
34	1	0303884	CYL HYD LIFT, FII
--	--	0906419	UPPER LINK ASSEMBLY, FII/T
35	2	0302928	BEARING, GARMAX GM2428-32
36	1	0804391	ARM UPPER LINK WELDMENT, FII/T
--	--	0906853	CROSSBAR ASSEMBLY (56") W/CNTR BORE
37	1	0300113	GREASE FITTING, 1/4"-28 STRAIGHT
38	1	0301197	COMP. SPRING, CROSSBAR, FI
39	1	0301398	1-3/16" DIA STEEL BALL
40	1	0708470	SPACER, DETENT BALL SPRG
41	2	0716576	SCREW, CROSSBAR RETAINER
42	1	0805857	INNER CROSSBAR WELDMENT, 6500
43	1	0805858	PIVOT PIN WELDMENT, 6500 W/CNTR BORE

Section VI - PARTS (cont'd)

FORMULA IIT UNDERLIFT HYDRAULICS



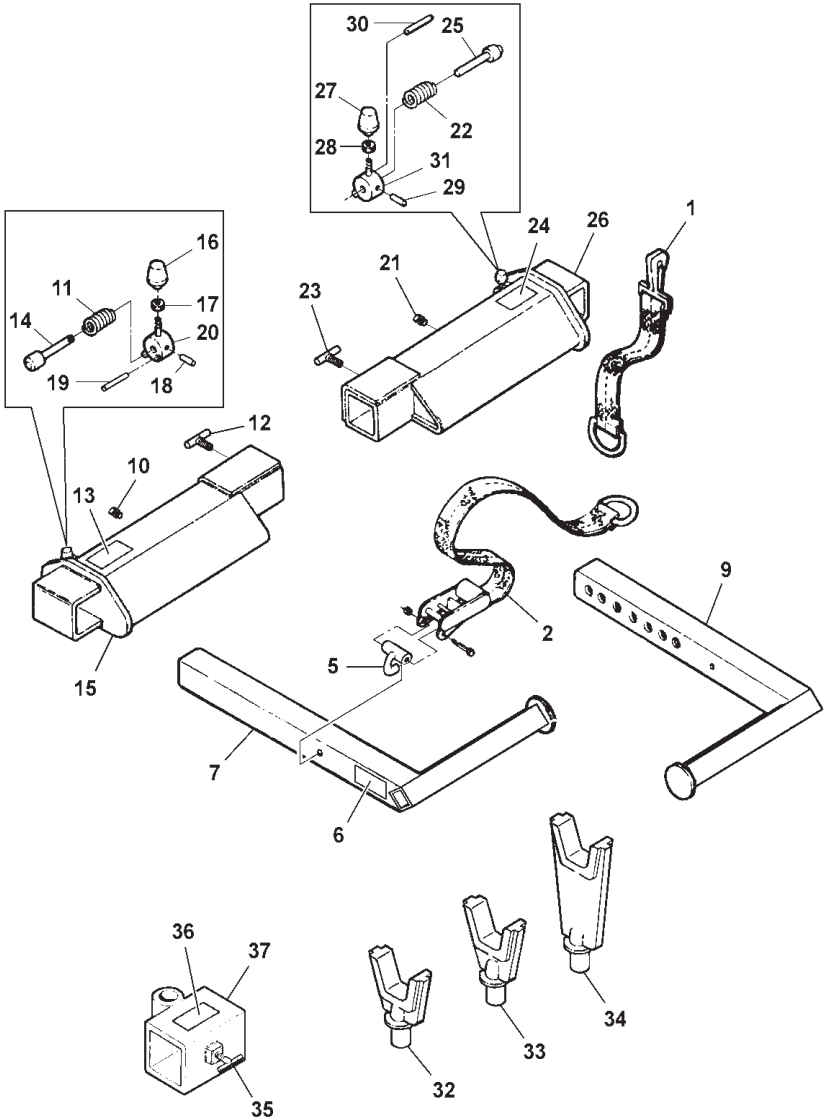
Section VI - PARTS (cont'd)

FORMULA IIT UNDERLIFT HYDRAULICS

REF. NO.	NO. REQ'D	PART NUMBER	DESCRIPTION
--	--	0903296	KIT, SOLENOID VALVE FIIT
1	6	0300044	FITTING, CONNECTOR 6MJ-8MB
2	1	0301883	SOLENOID VALVE
3	1	0302881	HOSE ASSEMBLY, 45"
4	5	0302926	HOSE ASSEMBLY, 29"
--	--	0904267	VALVE ASSEMBLY, MOTOR SPOOL
5	6	0300044	FITTING, CONNECTOR 6MJ-8MB
6	6	0301781	FITTING, SWV NUT RUN TEE 3/8" JIC
7	1	0302798	VALVE, 3 SPOOL
8	1	0303093	VALVE, 4 SPOOL PARKER
--	--	0904630	INNER BOOM ASSEMBLY, FII/T
9	2	0301522	FITTING, CONNECTOR 6MJ-6MB
10	1	0303065	CYL HYD EXT F6500 W/L
--	--	0907389	W/L ASSEMBLY - FII/T
11	2	0301377	FITTING, TEE 3/8" JIC
12	2	0301485	HOSE ASSEMBLY, 81"
13	2	0301581	HOSE ASSEMBLY, 119"
14	2	0301620	FITTING, HYD 6MJ-6MB
15	2	0301964	HOSE ASSEMBLY, 65"
16	4	0302881	HOSE ASSEMBLY, 45"
17	2	0307117	CYLINDER, HYD TILT FIII
--	--	0904632	LIFT CYLINDER ASSEMBLY
19	2	0301620	FITTING, HYD 6MJ-6MB
20	1	0303884	CYLINDER, HYD LIFT FII

Section VI - PARTS (cont'd)

OUTER CROSSTUBES & LIFT ADAPTERS



Section VI - PARTS (cont'd)

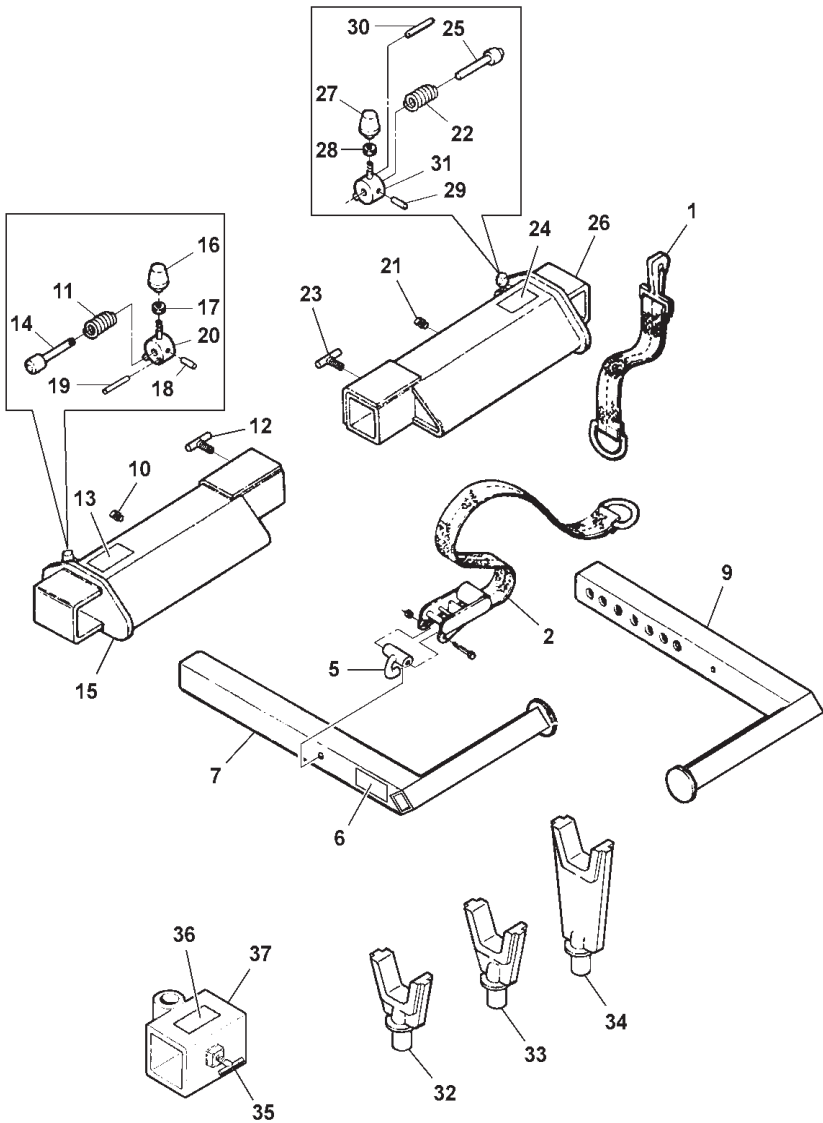
OUTER CROSSTUBES & LIFT ADAPTERS

REF. NO.	NO. REQ'D	PART NUMBER	DESCRIPTION
--	--	0904854	CROSSBAR & RESTRAINT ASSEMBLY
1	2	0301681	TIRE RESTRAINT BELT EXT
2	2	0301682	TIRE RESTRAINT ASSEMBLY
3	3	0500241	DECAL-SAFETY CHAIN WARN
4	2	0500562	DECAL-CHAIN ATTACHMENT
5	2	BA0603	HOOK, RATCHET
--	--	0903475	RESTRAINT, TIRE & DECAL LH
6	1	0500741	DECAL, RATING 6000 LB. L-ARM
7	1	0802606	TIRE RESTRAINT, MEDIUM
--	--	0903481	RESTRAINT, TIRE & DECAL RH
8	1	0500741	DECAL, RATING 6000 LB. L-ARM
9	1	0802606	TIRE RESTRAINT, MEDIUM
--	--	0904690	SLIDE-IN, LT OUTER CROSSTUBE
10	1	0300113	GREASE FITTING, ALEMITE
11	1	0301417	SPRING, PLNG PIN, CROSSBAR FI
12	1	0306564	ALUMINUM T HANDLE, 5/8" X 1-1/4"
13	1	0500241	DECAL, SAFETY CHAIN WARNING
14	1	0706688	PIN, PLUNGER
15	1	0803877	OUTER CROSSTUBE, LH
--	--	0904252	HANDLE ASSEMBLY, LEFT
16	1	0300341	KNOB, W/L CROSSBAR CONTROL
17	1	0400393	3/8"-16 HEX NUT JAM
18	1	0400560	5/32" X 1" ROLL PIN
19	1	0400598	3/16" X 1-5/8" ROLL PIN
20	1	0802069	HANDLE, PLUNGER PIN

Section VI - PARTS (cont'd)

OUTER CROSSTUBES & LIFT ADAPTERS

(cont'd)

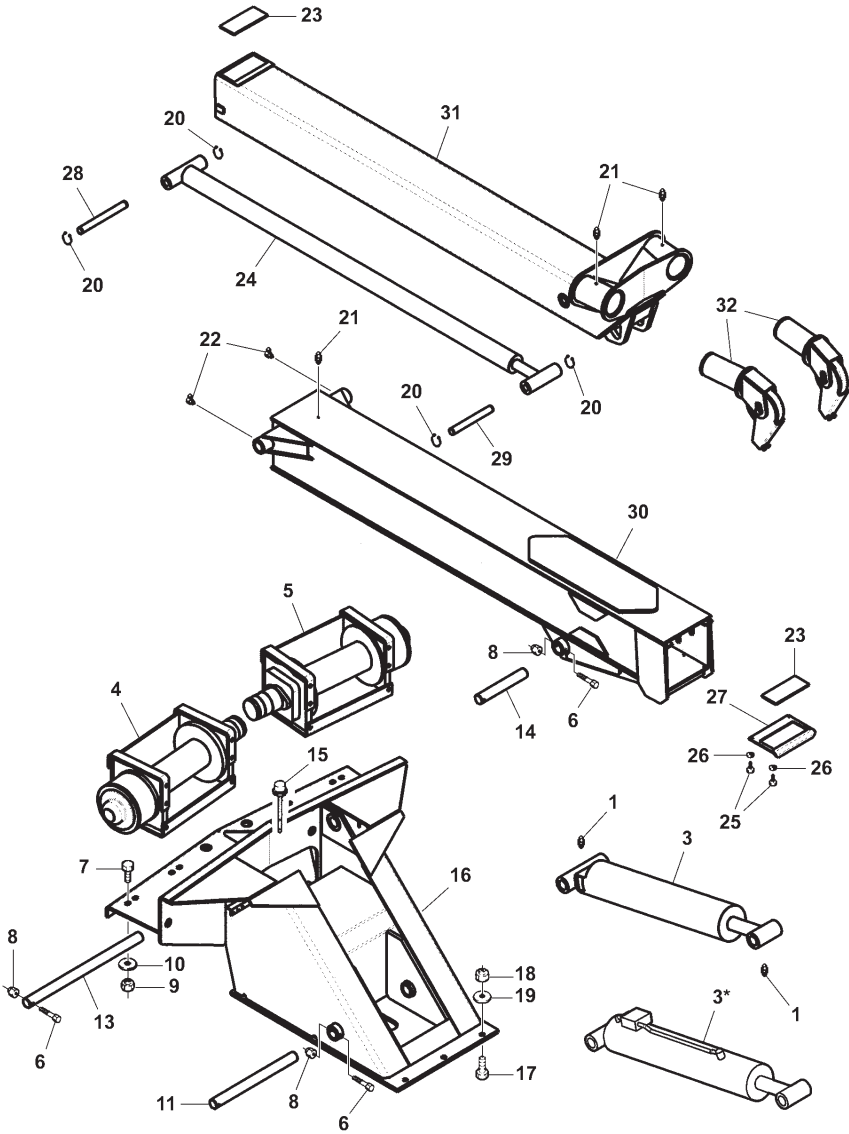


Section VI - PARTS (cont'd)
OUTER CROSSTUBES & LIFT ADAPTERS
(cont'd)

REF. NO.	NO. REQ'D	PART NUMBER	DESCRIPTION
--	--	0904691	SLIDE-IN RT OUTER CROSSTUBE
21	1	0300113	GREASE FITTING, ALEMITE
22	1	0301417	SPRING, PLNG PIN, CROSSBAR FI
23	1	0306564	ALUMINUM T HANDLE, 5/8" X 1-1/4"
24	1	0500241	DECAL, SAFETY CHAIN WARNING
25	1	0706688	PIN, PLUNGER
26	1	0803878	OUTER CROSSTUBE, RH
--	--	0904253	HANDLE ASSEMBLY, RIGHT
27	1	0300341	KNOB, W/L CROSSBAR CONTROL
28	1	0400393	3/8"-16 HEX NUT JAM
29	1	0400560	5/32" X 1" ROLL PIN
30	1	0400598	3/16" X 1-5/8" ROLL PIN
31	1	0802069	HANDLE, PLUNGER PIN
--	--	0900719	FORK, LIFT & ADAPT PKG
32	2	0200018	FORK, SHORT, 3" OPNG
33	2	0200020	FORK, MED, 3" OPNG
34	2	0200022	FORK, LONG, 3" OPNG
35	2	0306564	ALUM T HANDLE, 5/8" X 1-1/4"
36	2	0500241	DECAL, SAFETY CHAIN WARNING
37	2	0804197	ADAPTER, LIFT FORK 3 1/2"

Section VI - PARTS (cont'd)

614 WRECKER ASSEMBLY



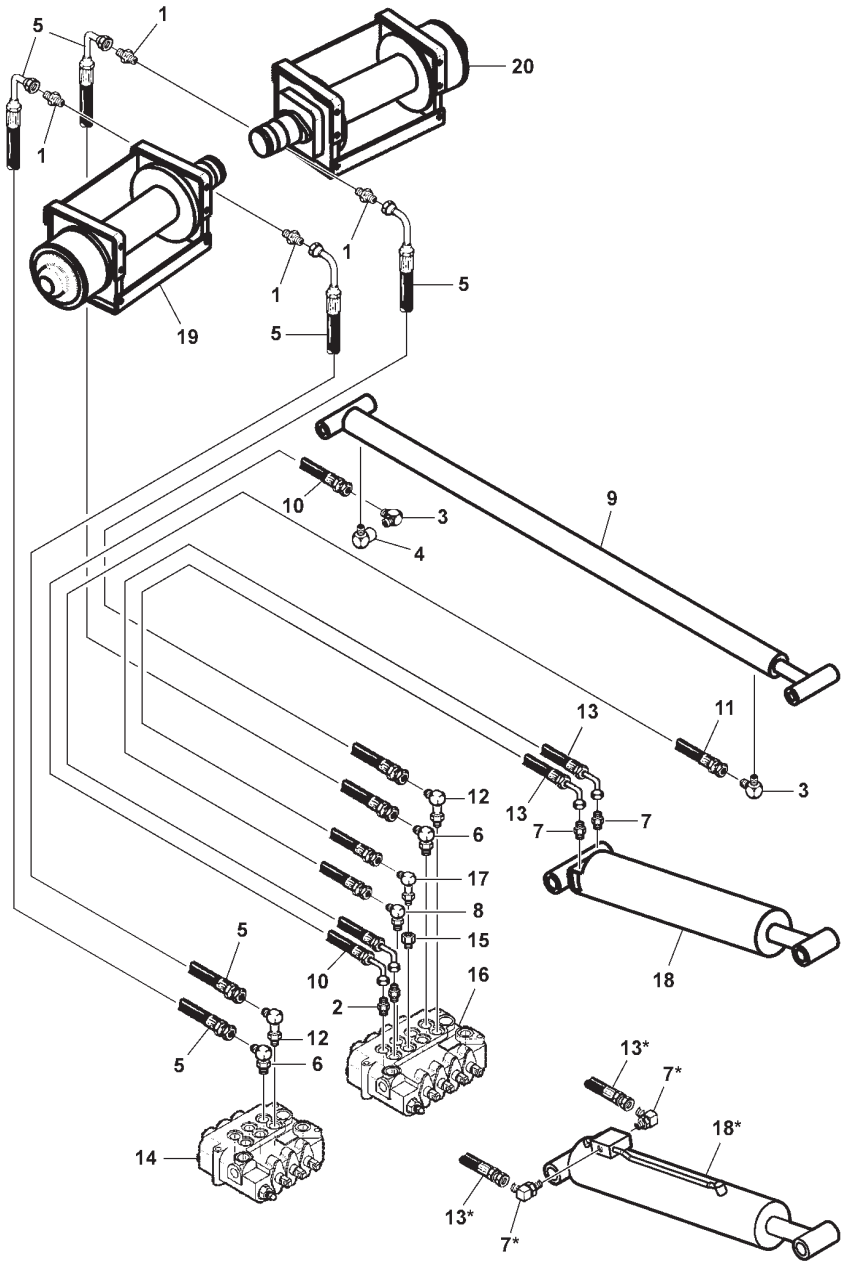
Section VI - PARTS (cont'd)

614 WRECKER ASSEMBLY

REF. NO.	NO. REQ'D	PART NUMBER	DESCRIPTION
--	--	0906544	WRECKER ASSEMBLY - 614
1	2	0300113	GREASE FITTING, ALEMITE
2	3	0301334	CATERPILLER GROMMET, 1/2" (Not Shown)
3	1	0303885	CYL HYD LIFT, 614
3*	1	0307263	CYL HYD LIFT (SERIAL NO. 446102 & AFTER)
4	1	0306828	WINCH, LEFT DP 15K
5	1	0306829	WINCH, RIGHT DP 15K
6	3	0400133	3/8"-16 X 3" HHCS GR5
7	12	0400253	5/8"-11 X 1-3/4" HHCS GR5
8	3	0400392	3/8"-16 NYLOK HEX NUT
9	12	0400421	5/8"-11 NYLOK HEX NUT
10	12	0400506	5/8" FLATWASHER
11	1	0703097	PIN, LIFT CYL PIVOT
12	1	0703194	TRIM, FLEXIBLE (Not Shown)
13	1	0705487	SHAFT, BOOM PIVOT
14	1	0712956	PIN, LIFT CYL
15	1	0801510	DIP STICK WELDMENT
16	1	0805869	WRECKER FRAME WELDMENT - 614 W/15K
17	9	0400264	SCREW, 5/8"-11 X 2-1/4" HEX HD CAP GR5
18	9	0400421	NUT, 5/8"-11 NYLOK HEX
19	9	0400506	WASHER, 5/8" FLAT
--	--	0906543	BOOM ASSEMBLY - 614
20	4	0300110	SNAP RING, 1"
21	5	0300113	GREASE FITTING, ALEMITE
22	2	0301397	GREASE FITTING - 90 DEG
23	2	0301582	SLIDE PAD
24	1	0301755	CYL HYD, EXT
25	4	0400059	1/4"-20 X 5/8" HHCS GR5
26	4	0400452	1/4" HELICAL LOCKWASHER
27	1	0705484	PAD RETAINER, BOLT-ON
28	1	0714180	PIN, EXT CYL BASE
29	1	0714181	PIN, EXT CYL ROD
30	1	0804010	OUTER BOOM WELDMENT - 614
31	1	0805886	INNER BOOM WELDMENT - 614
32	2	0904171	BOOM END SWIVEL ASSEMBLY
33	2	0302848	WIRE ROPE, 1/2" X 6 X 37 IWRC (NOT SHOWN)

Section VI - PARTS (cont'd)

614 WRECKER HYDRAULICS



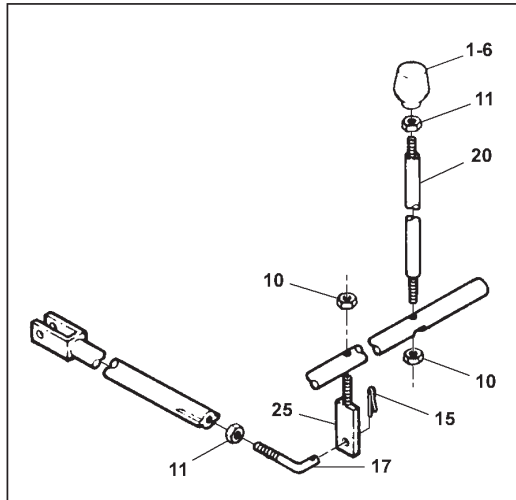
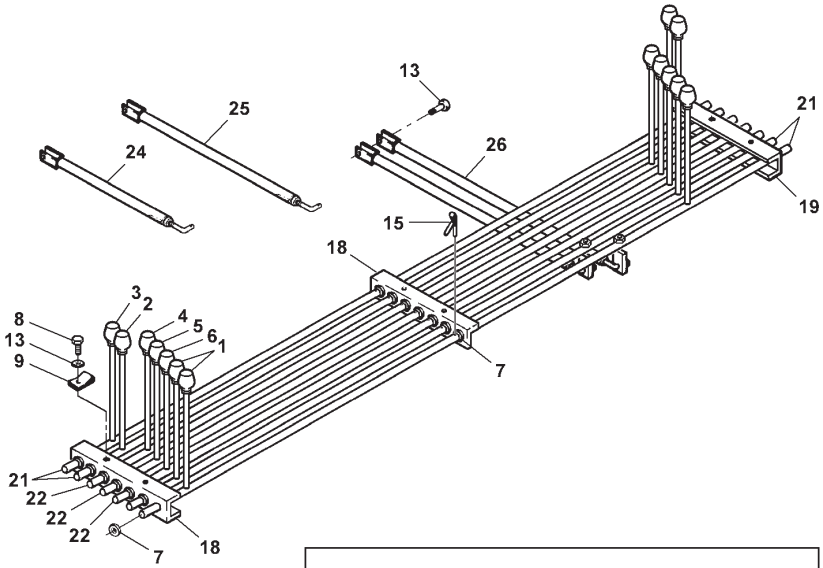
Section VI - PARTS (cont'd)

614 WRECKER HYDRAULICS

REF. NO.	NO. REQ'D	PART NUMBER	DESCRIPTION
1	4	0300041	FITTING, CONNECTOR 8MJ-8MB
2	4	0300044	FITTING, HYD CONNECTOR 6MJ-8MB
3	2	0300142	FITTING, ELBOW 6MJ-4MP90
4	1	0300147	FITTING, ELBOW STREET 4MP-4FP90
5	4	0300787	HOSE ASSEMBLY, 53" LG
6	2	0301388	FITTING, ELL, 8MJ - 8MB90
7	2	0301620	FITTING, CONNECTOR
8	1	0301470	FITTING, ELB 6MJ-8MB90
9	1	0301755	CYL HYD, EXT
10	1	0301964	HOSE ASSEMBLY, 65"
11	1	0301965	HOSE ASSEMBLY, 131"
12	2	0302508	FITTING, ELL 8MJ-8MB 90LL
13	2	0301664	HOSE ASSEMBLY, 64"
14	1	0302798	VALVE, 3 SPOOL
15	1	0303017	FITTING, CONNECTOR
16	1	0303093	VALVE, 4 SPOOL PARKER
17	1	0303761	FITTING, ELBOW 6MJ-6MB90LL
18	1	0307263	CYL HYD LIFT, 614
19	1	0306828	WINCH, LEFT DP 15K
20	1	0306829	WINCH, RIGHT DP 15K

Section VI - PARTS (cont'd)

CONTROL & CROSSROD ASSEMBLY



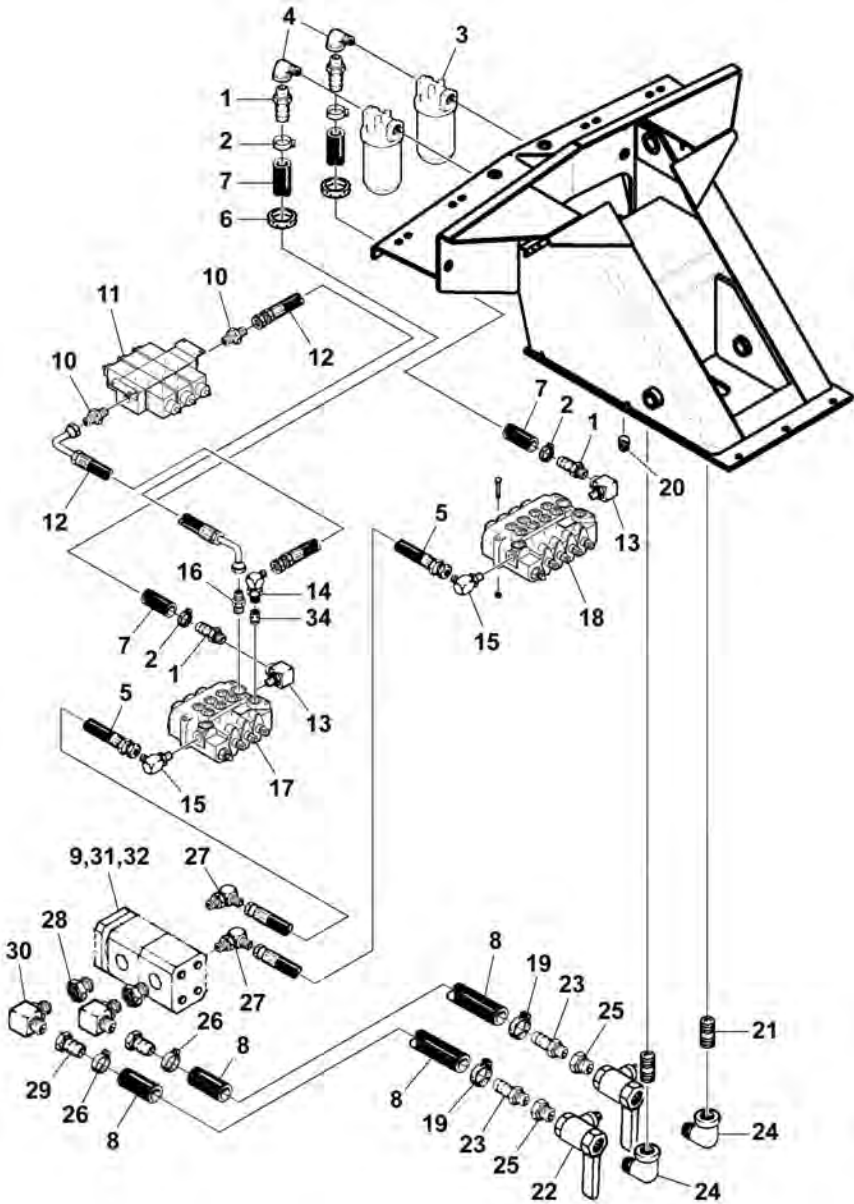
Section VI - PARTS (cont'd)

CONTROL & CROSSROD ASSEMBLY

REF. NO.	NO. REQ'D	PART NUMBER	DESCRIPTION
--	--	0901425	KIT, CONTROL KNOB (DUAL)
1	4	0300834	KNOB, CABLE (IN-OUT)
2	2	0300835	KNOB, BOOM (UP-DOWN)
3	2	0300837	KNOB, -BOOM (IN-OUT)
4	2	0302856	KNOB, W/L TILT (UP-DOWN)
5	2	0302917	KNOB, W/L (IN-OUT)
6	2	0302967	KNOB, W/L LIFT (UP-DOWN)
--	--	0904222	KIT, CONTROL (DUAL)
7	21	0300122	GROMMET, SPLIT PLASTIC
8	6	0400066	1/4"-20 X 3/4" HHCS GR5 ZP
9	6	0400370	1/4" "U" TYPE TINNEMAN
10	14	0400390	3/8"-16 HEX JAM NUT
11	7	0400392	3/8"-16 NYLOK HEX NUT ZP
12	21	0400393	3/8"-16 HEX NUT JAM ZP
13	6	0400452	1/4" HELICAL LOCKWASHER ZP
14	7	0400527	5/16" X 5/8" CLEVIS PIN
15	14	0400542	3/16" X 1-1/4" COTTER PIN SS
16	7	0400543	1/8" X 3/4" COTTER PIN
17	7	0701099	ROD, CONTROL
18	1	0703501	ANGLE, CROSS CONTROL
19	2	0704517	CHANNEL, CROSSROD BEARING
20	14	0705494	LEVER, CONTROL
21	4	0713483	CROSSROD, WRECKER FI
22	3	0713484	CROSSROD, WHEEL LIFT FI
23	7	0800604	ARM, CONTROL
24	2	0803675	ROD, SHIFTER WELDMENT
25	3	0803676	ROD, SHIFTER WELDMENT
26	2	0803677	ROD, SHIFTER WELDMENT

Section VI - PARTS (cont'd)

PUMP, VALVE & FILTER HYDRAULICS



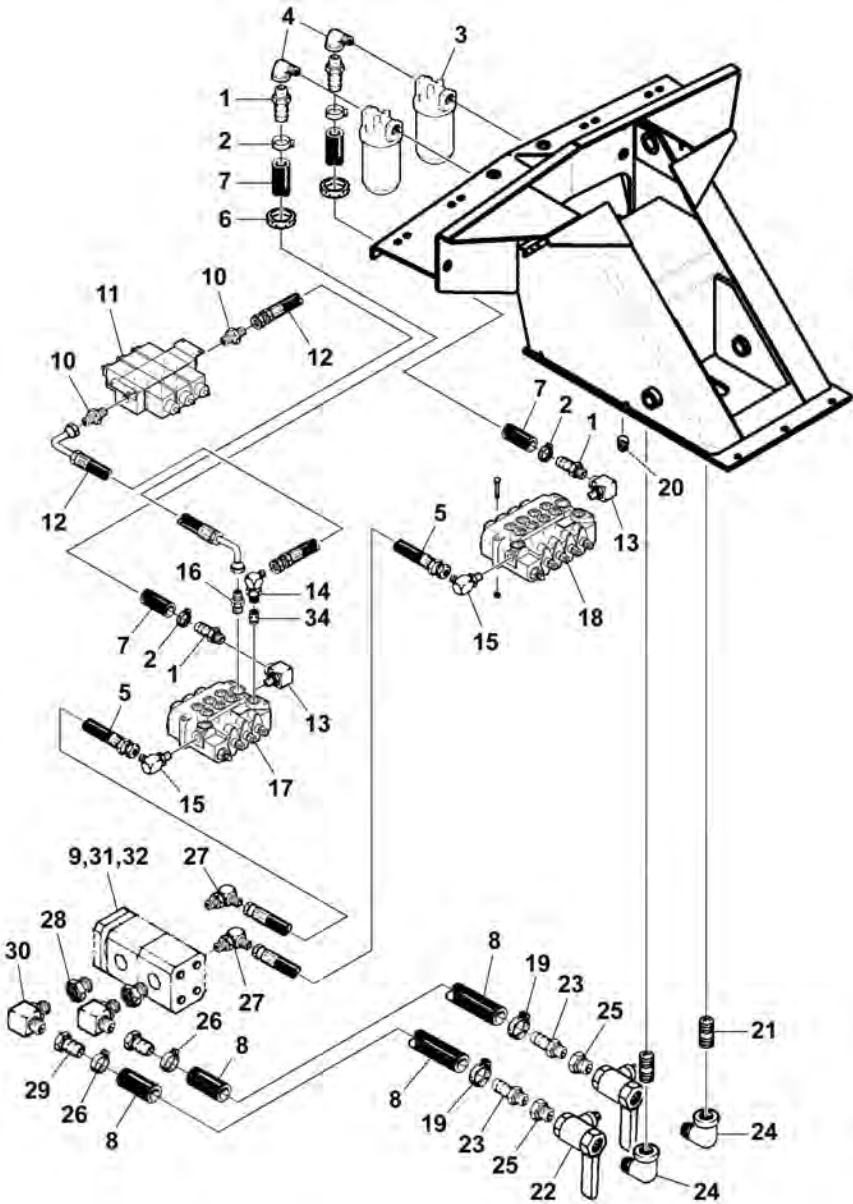
Section VI - PARTS (cont'd)

PUMP, VALVE & FILTER HYDRAULICS

REF. NO.	NO. REQ'D	PART NUMBER	DESCRIPTION
1	4	0300055	HOSE BARB, 12C4-12MP
2	4	0300071	CLAMP, HOSE 1"
3	2	0300136	RETURN LINE FILTER ASSEMBLY
4	2	0300288	STREET ELBOW, 3/4" 90°
5	2	0300660	HOSE ASSEMBLY, 120"
6	3	0301334	CATERPILLER GROMMET, 1/2"
7	6	0301674	HOSE, 3/4" RETURN GATES RAW MAT
8	28	0302756	SUCTION HOSE, 1-1/4" ID
9	1	0303867	PUMP, BI-ROTATIONAL
--	--	0903296	KIT, SOLENOID VALVE FIIIT
10	2	0300041	FITTING, CONNECTOR 6MJ-8MB
11	1	0301883	SOLENOID VALVE
12	2	0302610	HOSE ASSEMBLY, 36"
--	--	0904267	VALVE ASSEMBLY, MOTOR SPOOL
13	2	0301375	FITTING, ELBOW 12MB-12FP90
14	1	0301388	FITTING, ELBOW 8MJ-8MB90
15	2	0301547	FITTING, ELBOW 8MJ-12MB90
16	1	0301780	FITTING, CONNECTOR 8MJ-12MB
17	1	0302798	VALVE, 3 SPOOL
18	1	0303093	VALVE, 4 SPOOL PARKER
--	--	0904543	KIT, SUCTION LINE FITTINGS
19	2	0300364	HOSE CLAMP, 1" - 2-1/4"
20	1	0300446	3/4" NPT PIPE PLUG, MALE
21	2	0300891	PIPE NIPPLE, 1-1/2" X 3"
22	2	0302088	BALL VALVE
23	2	0302698	FITTING, HOSE BARB, 1-1/4"
24	2	0302983	PIPE, ELBOW, STREET 1-1/2"
25	2	0303463	BUSHING, 1-1/2" MP- 1-1/4" FP

Section VI - PARTS (cont'd)

PUMP, VALVE & FILTER HYDRAULICS (cont'd)



Section VI - PARTS (cont'd)

PUMP, VALVE & FILTER HYDRAULICS (cont'd)

REF. NO.	NO. REQ'D	PART NUMBER	DESCRIPTION
--	--	0904545	KIT, PUMP FITTINGS
26	4	0300364	HOSE CLAMP, 1" - 2-1/4"
27	2	0301547	FITTING, ELBOW 8MJ-12MB90
28	2	0302906	FITTING, ADAPTER 16MB-12FB
29	2	0303864	HOSE BARB, 20C4-20FJX
30	2	0303865	FITTING, ELBOW, 20MJ-16MB90
31	4	0400181	1/2"-13 X 1-1/2" HHCS GR5 ZP
32	4	0400491	1/2" HELICAL LOCKWASHER ZP
--	--	0904755	IN CAB / REMOTE CONTROL (NOT SHOWN)
33	4	0300132	CABLE TIE T120R BLK
34	1	0300286	FITTING, HP CARRY-OVER
35	5	0301721	CLAMP WIRE, TINNEMAN
36	1	0301866	SWITCH BOX, IN CAB - DT
37	1	0301897	HARNESS, GROUND
38	1	0301909	RECEPTACLE BOOT
39	1	0302558	HAND CONTROL ASSEMBLY
40	1	0302650	HARNESS, WIRING
41	1	0303859	HARNESS, WIRING
42	2	0400083	1/4"-20 X 1-1/4" RD HD SLT SCR
43	2	0400114	5/16"-18 X 3" HHCS GR5 ZP
44	4	0400126	3/8"-16 X 1" HHCS GR5 ZP
45	2	0400367	1/4"-20 NYLOK HEX NUT ZP
46	2	0400382	5/16"-18 NYLOK HEX NUT ZP
47	4	0400392	3/8"-16 NYLOK HEX NUT ZP
48	2	0400463	5/16" FLATWASHER ZP
49	2	0400566	1/4" RIVET AD810BS
50	1	0701757	PLATE, SWITCH PANEL
51	1	0707231	PLATE, GASKET MOUNTING

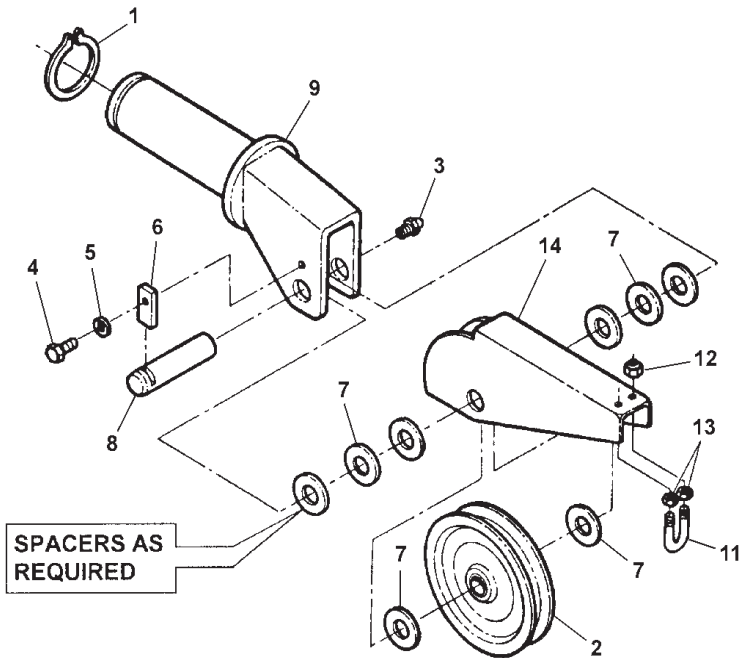
Section VI - PARTS (cont'd)

HYDRAULIC CYLINDERS

REF. NO.	NO. REQ'D	PART NUMBER	DESCRIPTION
1 --	1 --	0301755 0300624	CYL HYD, EXT 614 SEAL KIT, CYL HYD, EXT 614
2 --	1 --	0303065 0304506	CYL HYD EXT F6500 W/L SEAL KIT, CYL HYD EXT F6500 W/L
3 --	1 --	0307117 0304692	CYL HYD TILT FIII SEAL KIT, CYL HYD TILT FIII
4 --	1 --	0303884 0304624	CYL HYD LIFT, FII SEAL KIT, CYL HYD LIFT, FII
5 --	1 --	0307263 0304715	CYL HYD LIFT, 614 SEAL KIT, CYL HYD LIFT, 614

Section VI - PARTS (cont'd)

BOOM END SWIVEL ASSEMBLY



REF. NO.	NO. REQ'D	PART NUMBER	DESCRIPTION
--	--	0904171	SWIVEL ASSEMBLY, BOOM END
1	1	0301814	3-1/2" EXT RETAINING RING
2	1	0300022	SHEAVE, 6" COMPLETE
3	1	0300113	GREASE FITTING, ALEMITE
4	1	0400060	1/4"-20 X 1/2" HHCS GR5 ZP
5	1	0400452	1/4" HELICAL LOCKWASHER ZP
6	1	0700032	RETAINER, SHEAVE SHAFT
7	4	0700166	WASHER, SPACER
8	1	0712974	SHAFT, SHEAVE
9	1	0803650	SWIVEL, BOOM END
10	1	0900668	GUIDE ASSEMBLY, CABLE U
--	--	0900668	GUIDE ASSEMBLY, CABLE U
11	1	0301531	U BOLT, 3/8"
12	2	0400392	3/8"-16 NYLOK HEX NUT ZP
13	2	0400393	3/8"-16 HEX NUT JAM ZP
14	1	0702285	BODY, CABLE GUIDE

Section VI - PARTS (cont'd)

HARDWARE & ELECTRICAL KITS

REF. NO.	NO. REQ'D	PART NUMBER	DESCRIPTION
--	--	0907555	BASIC UNIT 614
	8	0400002	4X1/4 DRIVE SCREW RD HD
	1	0501425	SERIAL NO. & DATA PLATE 614
	1	0501201	SERIAL NO. & DATA PLATE FIIT
--	--	0907556	SHIP KIT 614
	3	0300132	CABLE TIE
	2	0301533	TIE DOWN STRAP
	2	0500241	DECAL, SAFETY CHAIN WARNING
	1	0501155	DECAL, DANGER FOR W/L ASSY'S
--	--	0908807	PREPACK, 614
	1	0300076	LICENSE PLATE BRACKET (LT0117)
	6	0300132	CABLE TIE, T120R BLK 15-1/4"
	1	0300273	LICENSE PLATE ILLUMINATOR
	1	0300442	LIGHT, 3 BAR (9025006)
	2	0301958	SKUFF PAD, SAFETY CHAIN
	1	0302318	SAFETY VIDEO
	1	0303226	80 AMP CIRCUIT BREAKER
	1	0500927	INSTR-PAINTING
	2	0501167	CENTURY NAMEPLATE
--	--	0903069	KIT, BACKUP ALARM
	2	0300077	WIRE, 16 GA, RED"
	6	0300153	CONNECTOR, WIRE (BLUE 7520)
	0.25	0301812	HEAT SHRINK TUBE - IN.MELT (BLACK)
	1	0303061	BACKUP ALARM, ECCO MS97
	2	0400057	1/4"-20 X 1.25" HHCS
	2	0400367	1/4"-20 NYLOK HEX NUT ZP
	1	0500676	INSTR. INSTL. BACKUP ALARM
--	--	LT0117K	KIT, HARDWARE LICENSE PLATE MTG.
	2	0400061	1/4"-20 X 3/4" MACH SCREW
	2	0400366	1/4"-20 HEX NUT ZP
	2	0400452	1/4" HELICAL LOCKWASHER ZP

Section VI - PARTS (cont'd)

HARDWARE & ELECTRICAL KITS

REF. NO.	NO. REQ'D	PART NUMBER	DESCRIPTION
--	--	0903204	KIT, HARDWARE WIRING
	2	GH246	SPLIT RUBBER GROMMET
	10	0300134	CLAMP, 1" HOSE INSULATED
	4	0300153	CONNECTOR, WIRE
	10	0300188	CLAMP, 1-1/2" HOSE
	2	0301503	#10 RING CONNECTOR 10-12 GA
	40	0301601	CLAMP, 5/8" HOSE INSULATED
	1	0301671	TOW LIGHT SOCKET
	2	0301800	JUNCTION BOX (GRAY) 6 POLE
	3	0302380	RELAY, SEALED & SKIRTED
	2 FT.	0303178	HEAT SHRINK, 1/4"
	.333 FT.	0303179	HEAT SHRINK, 1"
	4	0400035	10-24 X 1/2" OVAL HD SS
	2	0400043	10-24 X 1" OVAL PHIL HD MACH
	4	0400070	1/4"-20 X 1" HHCS GR5 ZP
	2	0400358	10-24 HEX LOCKNUT METAL
	22	0400367	1/4"-20 NYLOK HEX NUT ZP
--	--	0903201	KIT, WIRING
	14	HD0942	CLAMP, 1/2" WIRE LOOM
	10	0300153	CONNECTOR, WIRE
	40 FT.	0301940	WIRE, 12 GA ORANGE
	40 FT.	0302495	CONVOLUTED LOOM, 1/4"
	2	0302750	HARNESS, GROUND CABLE
	1 FT.	0303178	HEAT SHRINK, 1/4"
	20	0400021	8-32 X 1/2" RD HD PH MACH SCR SS
	4	0400062	1/4"-20 X 3/4" THRD CUT HEX
	8	0400452	1/4" HELICAL LOCKWASHER ZP
	2	5823037	JUNCTION BOX GROUND WIRE
	1	6223002	HARNESS, BODY, 84CA GSA
	1	6223003	HARNESS, 4 WAY, GSA SWRK
	20	9022076	RING TERM, 14-16 GA 10 ST
	4	9032053	RUBBER GROMMET

CENTURY®

Miller Industries Towing Equipment Inc.

8503 Hilltop Drive • Ooltewah, Tennessee 37363 • (423) 238-4171

www.millerind.com