

**RAM 6.4L: G, 2019+, PH14 A PUMP, SIDE PORT**

**BOLT PKG.: 716275 (Inc. item 6, 7, 15)**

|||||

**BELT DIAGRAM: 702147**

**IDLER PKG.: 716199 (Inc. item 8)**

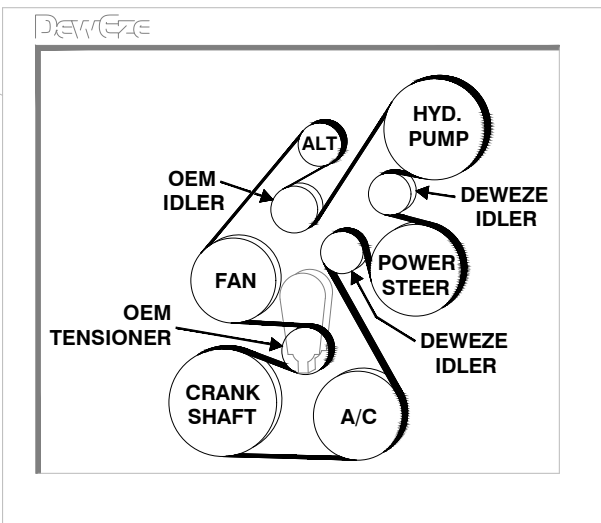
**ISSUE DATE: 01/02/20**

**REVISION DATE: NC**    /    /    /

ITEM	PART NO.	DESCRIPTION
1.	716196	Pump plate
2.	740242	Idler
3.	*	Pump
4.	*	Clutch
5.	OEM	Power steering pump
6.	112085	M8-1.25 x 80 Flange bolt
7.	112086	M8-1.25 x 120 Flange bolt
8.	112072	M10-1.5 x 40 Flange bolt
9.	110440	3/8-16 x 1 Flange bolt
10.	OEM	Power steering pump bolts
11.	742113	Belt, Micro-V K061203

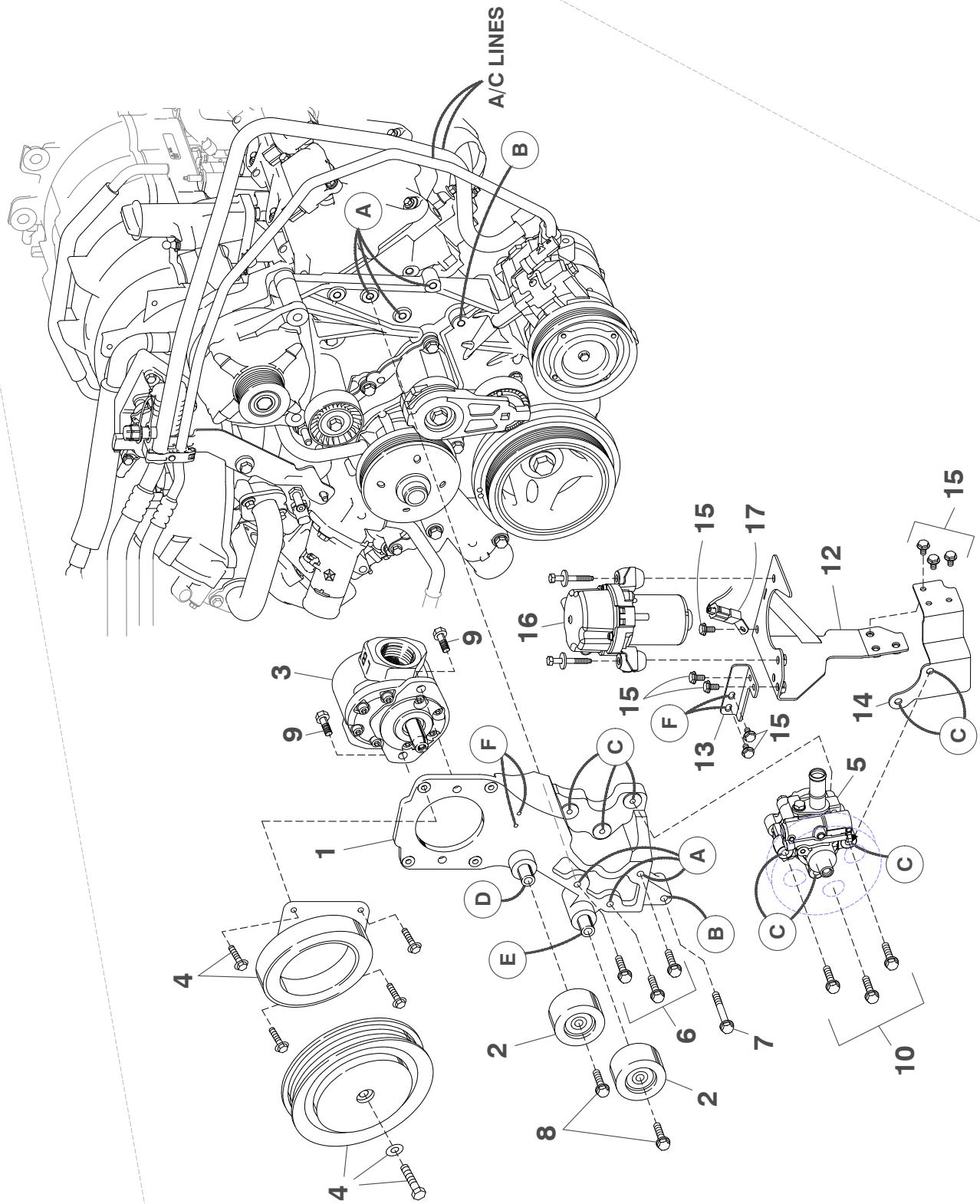
ITEM	PART NO.	DESCRIPTION
12.	715067	Vacuum pump bracket
13.	716268	Bracket brace
14.	716269	Lower bracket
15.	112073	M6-1.0 x 16 Flange bolt
16.	OEM	Vacuum pump
17.	OEM	Noise suppressor
18.	712083	Spiral hose wrap

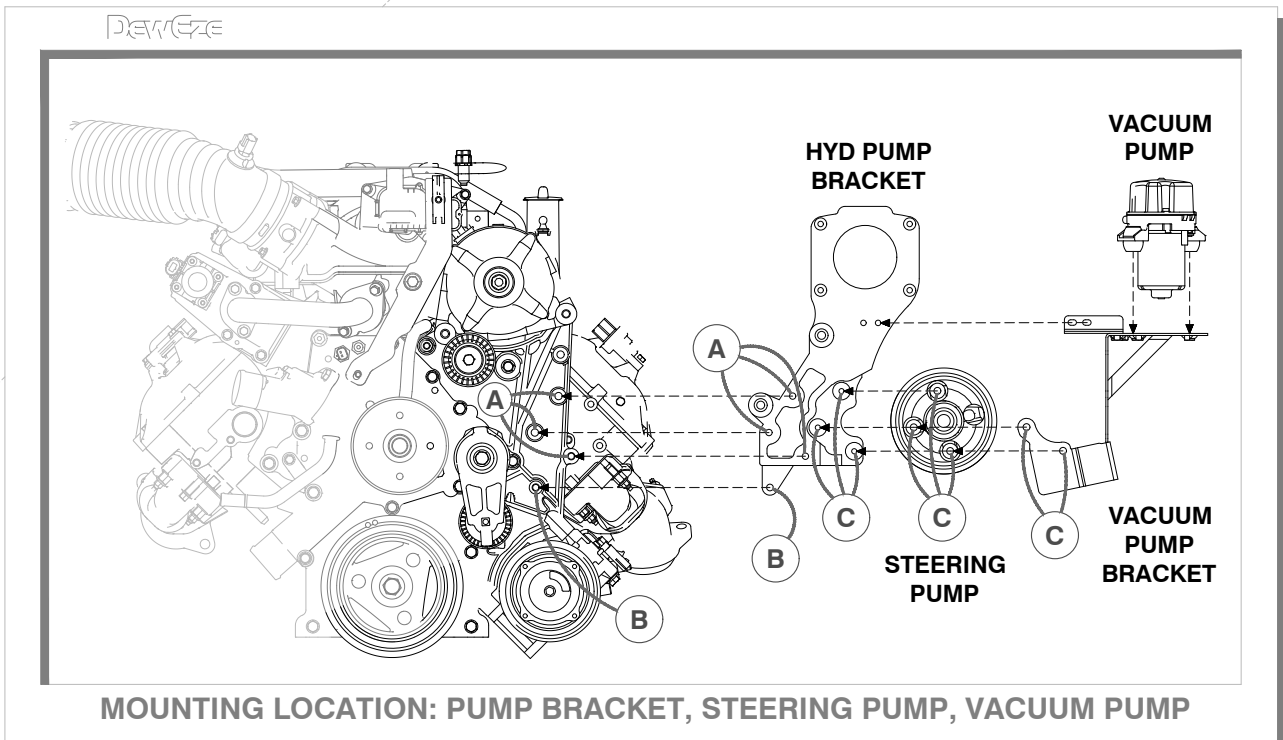
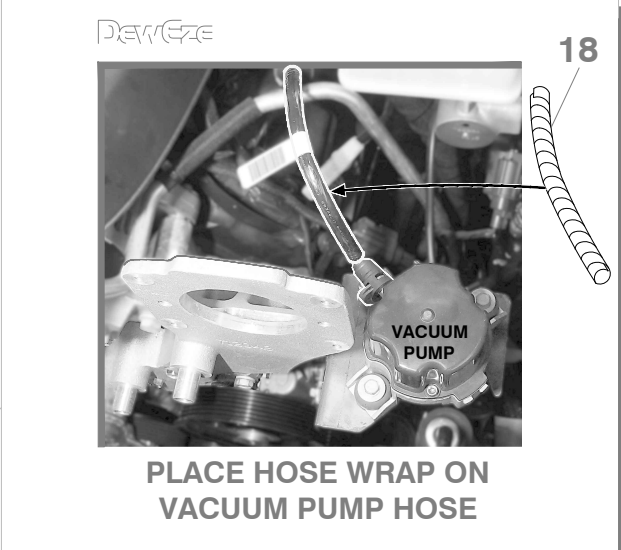
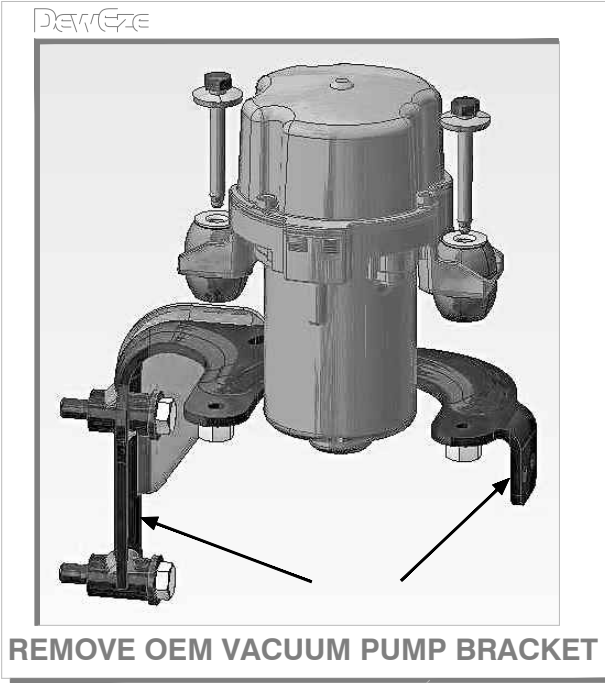
\* Pump and clutch part numbers determined when kit is ordered.



**READ THROUGH THE INSTRUCTIONS BEFORE STARTING THE INSTALLATION TO FAMILIARIZE YOURSELF WITH THE PROCEDURE.**







# DewEze Clutch Pump Kit 700604

## RAM 6.4L Gas, 2019+, PH14, A Pump

# INSTALLATION INSTRUCTIONS

- The installation of this kit requires trained decision-making concerning clearances, tying components together, rerouting, or relocating OEM components, etc. It is impossible to describe all of the clearance and vibration points, etc. in the installation instructions. Therefore, the technician must exercise professional judgment to achieve the best quality installation.*
- Disconnect battery. Remove engine belt.
- Unbolt and remove the vacuum pump (16) and set off to the side. Save the bolts. Unbolt the vacuum pump bracket and discard it.
- Remove three bolts (10) at Location A that attach power steering pump (5) to front engine cover by accessing bolts through holes in steering pump pulley. Save the bolts as they will be reused. Move pump to the side towards the fender temporarily. Remove bolt in front engine cover directly below the power steering pump at Location B. This bolt will not be reused.
- Remove the bolt mounting the electrical noise suppressor (17) located below the alternator. Move the suppressor out of the way.
- Mount the DewEze hydraulic pump bracket (1) at Location A with three M8 x 80 flange bolts (6) and at Location B with the M8 x 120 flange bolt (7). Install two idlers (2) onto pump bracket as shown using two M10 X 40 bolts (8).
- Hold the hydraulic pump (3) in place on the bracket before bolting it in to check the following: The metal A/C lines in the pump area will need to be carefully bent away from the pump body and fittings for clearance. The oil dipstick tube may need to be gently bent to the rear toward the A/C line to clear the pump. The power steering line that attaches to the bottom of the power steering pump may need to be loosened to rotate or bend as needed for clearance to the clutch and belt. Retighten line. Install hydraulic pump (3) onto pump bracket using two 3/8 x 1 flange bolts (9). Mount the clutch coil (4) to the pump bracket with four 1/4 x 1/2 flange bolts. Mount the clutch pulley (4) to the pump shaft with the 5/16 x 1 1/4 bolt and heavy flat washer making sure the key is in place on the shaft.
- Install belt (11) supplied with kit per routing diagram. Recheck all clearances.
- Hold the lower vacuum pump bracket (14) to the power steering pump (5) by placing two of the OEM steering pump bolts (10) through the bracket into the pump at Location C. Place the third OEM bolt into the upper pump mounting hole. Bolt the steering pump with bracket (14) to the hydraulic pump bracket (1).
- Attach the middle vacuum pump bracket (12) to the lower bracket with three M6 x 16 flange bolts (15). Do not tighten yet.
- Attach the upper vacuum pump bracket (13) to the middle bracket with two M6 x 16 flange bolts (15) and to the hydraulic pump bracket (1) with two M6 x 16 flange bolts (15). Tighten the three steering pump bolts and the seven vacuum pump bracket bolts.
- Attach the noise suppressor (17) to the left rear corner on top of the vacuum bracket (12) with a M6 x 16 flange bolt (15).
- Attach the vacuum pump (16) to the bracket (12) with the OEM vacuum pump bolts.
- If your truck has a plastic engine cover, it may need to be notched to clear the bracket and pump assembly.
- Reconnect the battery. Start engine, test functions, inspect installation for any problems, clearance issues.