

CHALLENGER®



OWNER'S MANUAL

CHALLENGER 4800 Series

INSTALLATION, OPERATION, MAINTENANCE & PARTS

**NOTE: MANUAL including SPECIFICATIONS, subject to change without notice
All ratings specified are based on structural factors only,
not vehicle capacities or capabilities.**

CHALLENGER®

A Division of Miller Industries Towing Equipment Inc.
8503 Hilltop Drive
Ooltewah, Tennessee 37363

FORM NO. 0500746
6 / 95

Phone (423) 238-4171 • FAX (423) 238-5371

PRICE \$15.00

This manual has been prepared for the owner and operators of CHALLENGER equipment.

Its purpose, aside from operating and maintenance instructions, is to promote safety through the use of accepted operating procedures.

Read all instructions thoroughly before operating the wrecker.

Also, contained in this manual is a parts section for your CHALLENGER equipment. Use of other than factory or factory-authorized parts will render the warranty void.

LIMITED WARRANTY

CHALLENGER warrants the original purchaser that each new CHALLENGER Wrecker will be free from defects in material and workmanship for a period of one (1) year from the date of purchase. The purchaser must promptly notify CHALLENGER in writing of any failure in material or workmanship. In no event shall such notification be received by CHALLENGER later than 13 months from date of delivery.

The obligation under this warranty, statutory or otherwise, is limited to the repair or replacement at our factory or at a point designated by us, of such part or parts as shall appear to us upon inspection to be defective in material or workmanship. New or remanufactured parts will be used for any replacement.

This warranty does not obligate CHALLENGER to bear the cost of labor or transportation charges in connection with the replacement or repair of any parts found to be defective, nor shall it apply to a product upon which repairs or alterations have been made unless authorized by us.

CHALLENGER shall in no event be liable for any incidental or consequential damages or contingent liabilities arising out of the failure of any parts or products to operate properly. NO IMPLIED, EXPRESS, OR STATUTORY WARRANTY OTHER THAN STATED HEREIN IS MADE OR AUTHORIZED TO BE MADE BY OR FOR US, INCLUDING BUT NOT LIMITED TO, THE IMPLIED WARRANTIES OF MERCHANTABILITY AND FITNESS FOR A PARTICULAR PURPOSE.

CHALLENGER makes no warranty, express or implied, as to finished products manufactured or supplied by another manufacturer or supplier by CHALLENGER to purchaser, including, but not limited to, any vehicle to which a CHALLENGER Wrecker may be affixed or accessories or wire rope (cable), and expressly disclaims any implied warranties of merchantability or fitness for a particular purpose as to such equipment or products. This language shall in no way affect or diminish the rights of purchaser to rely on such warranties as are extended by such manufacturers or suppliers.

CHALLENGER, whose policy is one of continuous improvement, reserves the right to improve its product through changes in design or materials as it may deem desirable without being obligated to such changes in products of prior manufacture.

It is expressed for the purchaser's benefit that CHALLENGER equipment shall be fit for proper use. This warranty is not transferable.

CHALLENGER[®]

SERIAL NUMBER

A Division of Miller Industries Towing Equipment Inc.

8503 Hilltop Drive
Ooltewah, Tennessee 37363

Section VI - PARTS

This Section is provided by the manufacturer for the purpose of ordering any component part of the **CHALLENGER 4800 Series Wrecker** that may be required when part replacement is necessary. Be certain to use only original equipment replacement parts for warranty purposes as well as for keeping your **CHALLENGER 4800 Series Wrecker** in its original state and optimum operating capacities.

When ordering replacement or spare parts be sure to provide the following information to the manufacturer's **Parts Department**.

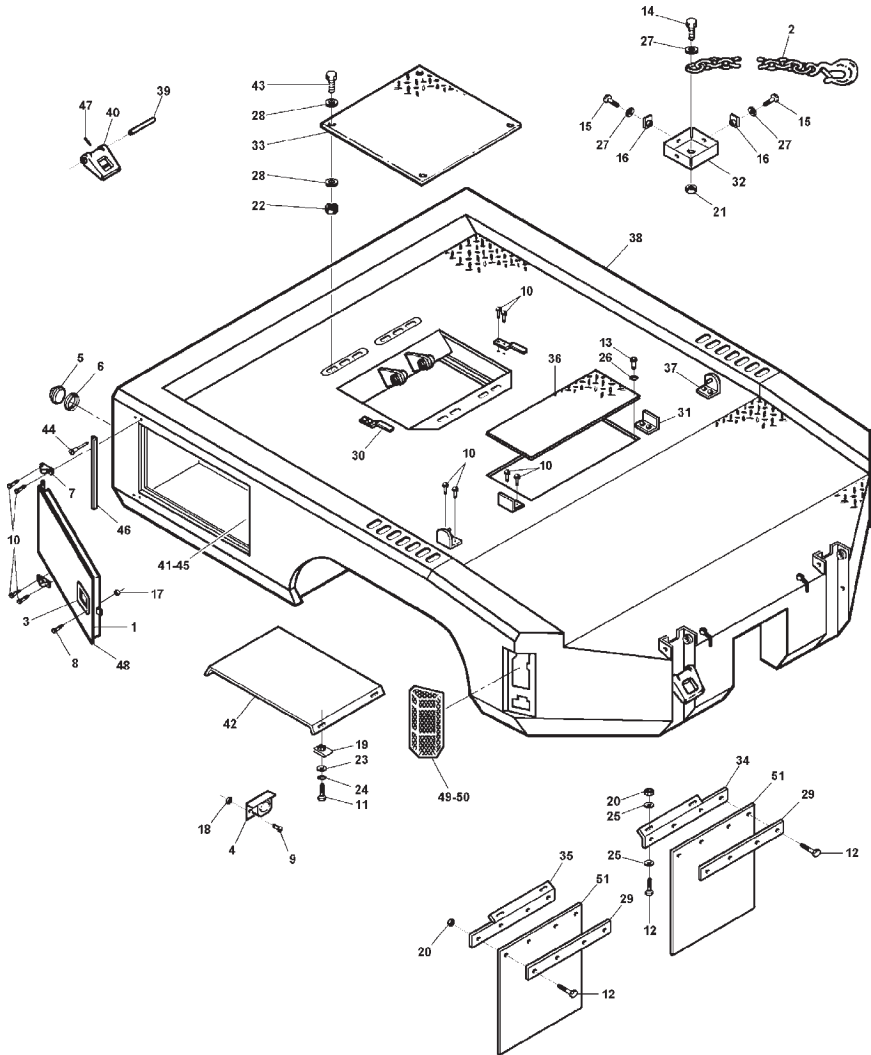
1. **Manual Number & Date of Publication**
2. **Manual Page Number**
3. **Page Title**
4. **Reference Number of Part Desired**
5. **Part Number**
6. **Part Description**
7. **Quantity of Part Desired**

Providing this information will help ensure that the correct parts will be delivered to you in an expedient manner without delay. Should additional information be required for repair or replacement of certain components, contact your Wrecker Manufacturer Authorized Representative.

The Manufacturer reserves the right, without notice or obligation, to improve or modify their products, which may change the specifications, models and feature availability.

Section VI - PARTS (cont'd)

4800 BODY ASSEMBLY



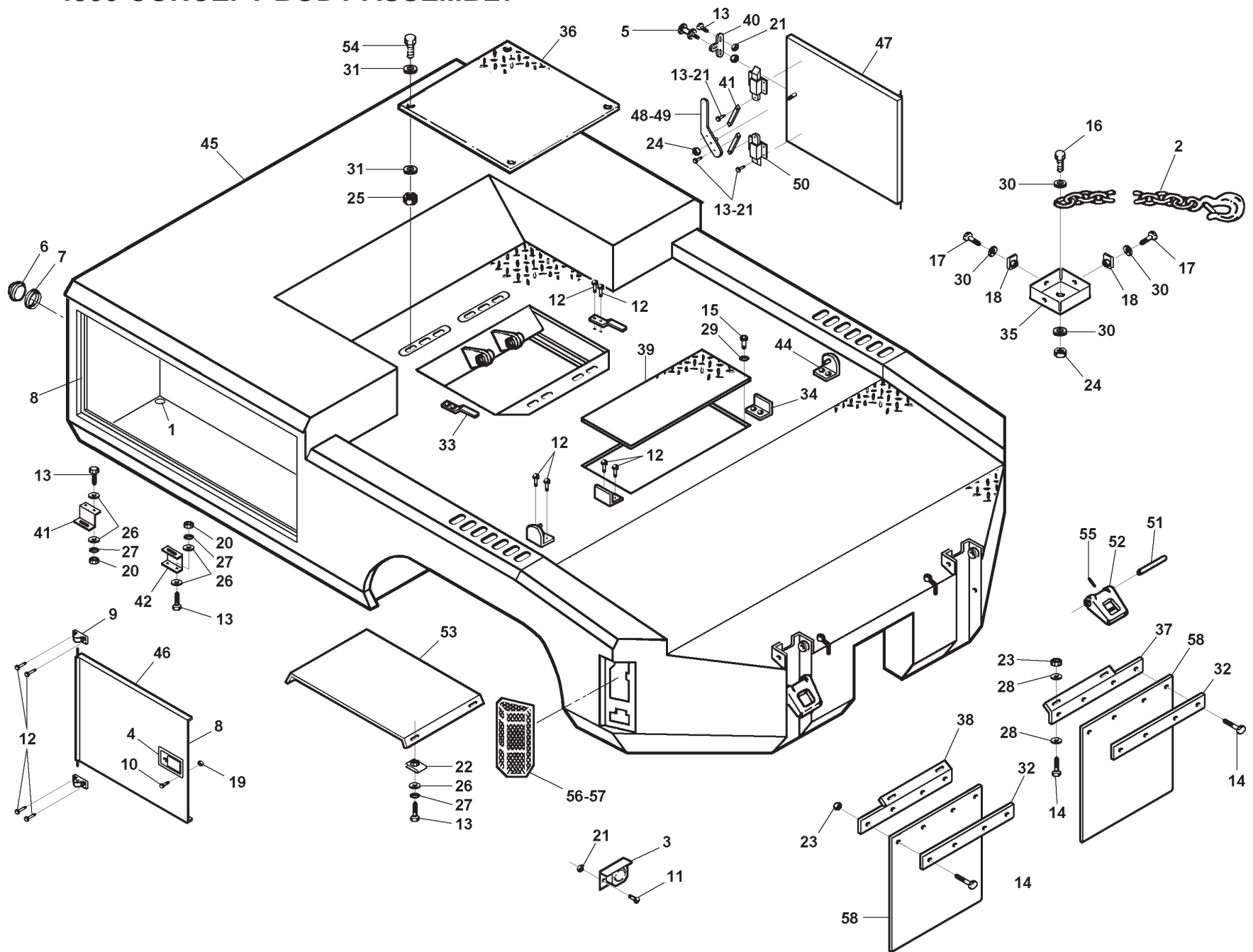
Section VI - PARTS (cont'd)
WRECKER ASSEMBLY - 4812

REF. NO.	NO. REQ'D	PART NUMBER	DESCRIPTION
1	8 FT.	0300844	SPONGE, 3/4" X 1/8" W/ ADHBK
2	2	0301932	5/16" X 10' CHAIN ASSEMBLY
3	1	0302855	LATCH, TOOL COMPARTMENT DOOR
4	1	0303061	BACK UP ALARM
5	2	0303126	LIGHT, SEALED MARKER, AMBER
6	2	0303127	GROMMET, MARKER LIGHT
7	2	0304264	HINGE, DOOR
8	4	0400021	SCREW, #8-32 X 1/2" RD HD PHILLIPS
9	2	0400057	SCREW, 1/4-20 X 1-1/4" HEX HD CAP
10	16	0400062	SCREW, 1/4"-20 X 3/4" TYPE "F" THD CUT
11	8	0400070	SCREW, 1/4-20 X 1" HEX HD CAP
12	8	0400103	SCREW, 5/16"-18 X 1-1/4" HEX HD CAP
13	4	0400109	SCREW, 5/16"-18 X 1" HEX HD CAP
14	2	0400122	SCREW, 3/8"-16 X 1-1/4" HEX HD CAP
15	6	0400126	SCREW, 3/8"-16 X 1" HEX HD CAP
16	6	0400243	NUT, 3/8"-16 "J" TYPE TINNERMAN
17	4	0400351	NUT & STAR WASHER, #8-32 HEX
18	2	0400367	NUT, 1/4"-20 NYLOK HEX
19	8	0400370	CLIP, 1/4" "U" TYPE TINNERMAN
20	8	0400381	NUT, 5/16"-18 HEX
21	2	0400392	NUT, 3/8"-16 NYLOK HEX
22	4	0400430	NUT, 3/4"-10 NYLOK HEX
23	8	0400451	WASHER, 1/4" FLATLOCK
24	8	0400452	WASHER, 1/4" HELICAL
25	8	0400463	WASHER, 5/16" FLATLOCK
26	4	0400464	WASHER, 5/16" HELICAL

REF. NO.	NO. REQ'D	PART NUMBER	DESCRIPTION
27	8	0400480	WASHER, 3/8" FLAT
28	8	0400510	WASHER, 3/4" FLAT
29	2	0705092	BAR, MUDFLAP
30	2	0707510	BRACKET, STORAGE
31	2	0707522	STORAGE ANGLE
32	2	0707849	CAP, CHAIN BOX
33	1	0708084	COVER, ACCESS HOLES
34	1	0708809	MUDFLAP MOUNTING ANGLE, RIGHT
35	1	0708810	MUDFLAP MOUNTING ANGLE, LEFT
36	1	0710321	ACCESS COVER, VALVE
37	2	0802184	STORAGE BRACKET
38	1	0803185	BODY WELDMENT - 4800 INSERT
39	2	BA0259	PIN, "D" RING
40	2	BA0283	"D" RING
41	1	CP285	PLATE, LATCH RETAINER
42	2	CT0349	GUARD, SPLASH
43	4	DE483	SCREW, 3/4"-10 X 2-1/4" HEX HD CAP
44	4	DE1580	RIVET, 5/16' X 3/8" RBL
45	--	H25163	PLATE, ADJUSTMENT, DOOR KEEPER ASSY
46	1	HB73	ANGLE, DOOR SPLASH GUARD
47	2	HD0106	SPRING PIN, 1/4" X 1-3/4"
48	1	HF56	SMALL DOOR WELDMENT
49	1	JH71	TAILLIGHT, RIGHT
50	1	JH72	TAILLIGHT, LEFT
51	2	VA0587	MUDFLAP, BLACK W/ RWL

Section VI - PARTS (cont'd)

4800 CONCEPT BODY ASSEMBLY



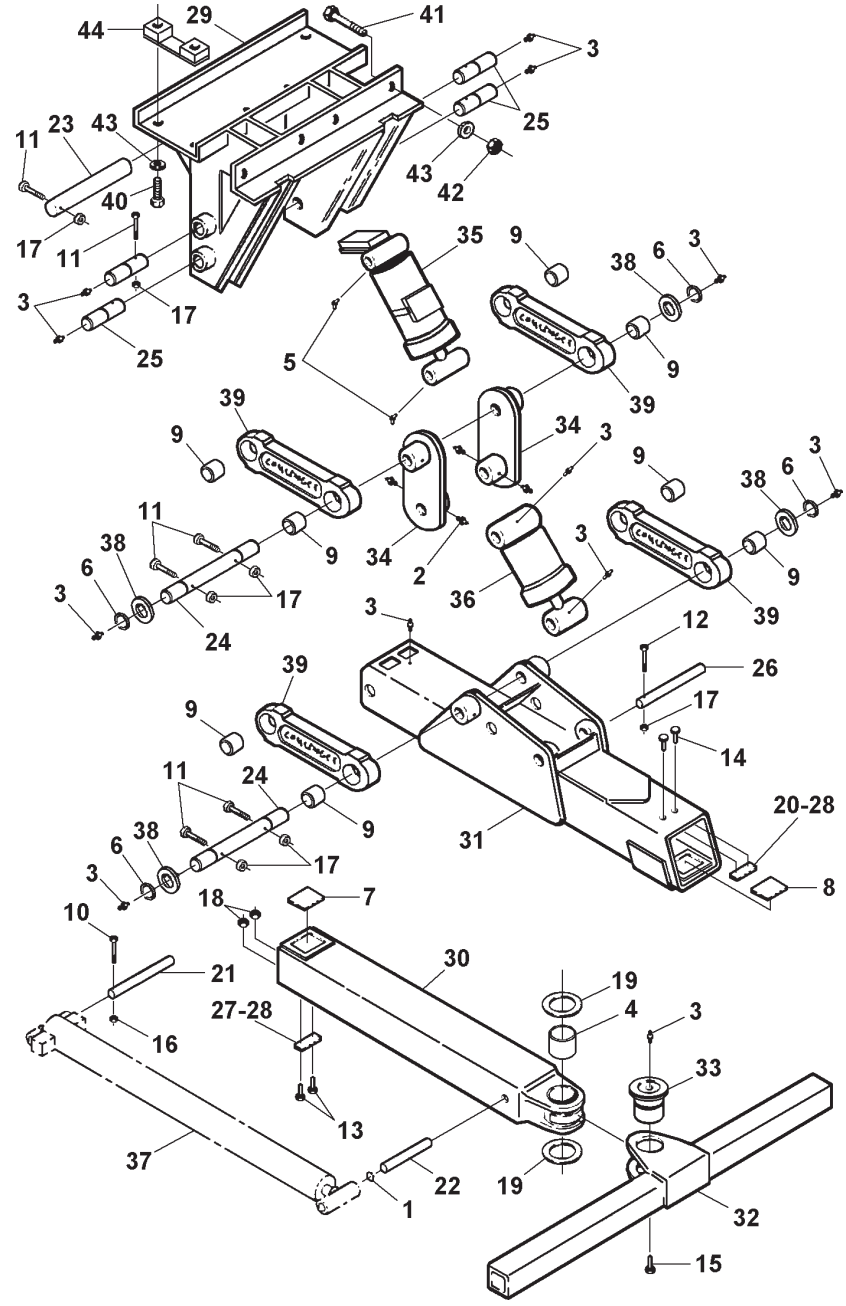
Section VI - PARTS (cont'd)
4800 CONCEPT BODY ASSEMBLY

REF. NO.	NO. REQ'D	PART NUMBER	DESCRIPTION
1	6	0300032	PLUG, 1" DIA. HOLE
2	2	0301932	5/16" X 10' CHAIN ASSEMBLY
3	1	0303061	BACK UP ALARM
4	2	0303120	LATCH, PADDLE
5	2	0303121	STRIKER BOLT
6	2	0303126	LIGHT, SEALED MARKER, AMBER
7	2	0303127	GROMMET, MARKER LIGHT
8	25 FT.	0303305	RUBBER DOOR SEAL, ADHESIVE BACK
9	8	0304264	HINGE, DOOR
10	8	0400021	SCREW, #8-32 X 1/2" RD HD PHILLIPS
11	2	0400057	SCREW, 1/4-20 X 1-1/4" HEX HD CAP
12	44	0400062	SCREW, 1/4"-20 X 3/4" TYPE "F" THD CUT
13	20	0400070	SCREW, 1/4-20 X 1" HEX HD CAP
14	8	0400103	SCREW, 5/16"-18 X 1-1/4" HEX HD CAP
15	4	0400109	SCREW, 5/16"-18 X 1" HEX HD CAP
16	2	0400122	SCREW, 3/8"-16 X 1-1/4" HEX HD CAP
17	6	0400126	SCREW, 3/8"-16 X 1" HEX HD CAP
18	6	0400243	CLIP, 3/8" "J" TYPE TINNERMAN
19	8	0400351	NUT & STAR WASHER, #8-32 HEX
20	16	0400366	NUT, 1/4"-20 HEX
21	12	0400367	NUT, 1/4"-20 NYLOK HEX
22	8	0400370	CLIP, 1/4" "U" TYPE TINNERMAN
23	8	0400381	NUT, 5/16"-18 HEX
24	4	0400392	NUT, 3/8"-16 NYLOK HEX
25	4	0400430	NUT, 3/4"-10 NYLOK HEX
26	32	0400451	WASHER, 1/4" FLATLOCK
27	20	0400452	WASHER, 1/4" HELICAL
28	8	0400463	WASHER, 5/16" FLAT
29	8	0400464	LOCKWASHER, 5/16" HELICAL

REF. NO.	NO. REQ'D	PART NUMBER	DESCRIPTION
30	8	0400480	WASHER, 3/8" FLAT
31	4	0400510	WASHER, 3/4" FLAT
32	2	0705092	BAR, MUDFLAP
33	2	0705092	BRACKET, STORAGE
34	2	0707510	STORAGE ANGLE
35	2	0707522	CAP, CHAIN BOX
36	1	0707849	COVER, ACCESS HOLES
37	1	0708084	MUDFLAP MOUNTING ANGLE, RIGHT
38	1	0708809	MUDFLAP MOUNTING ANGLE, LEFT
39	1	0708810	ACCESS COVER, VALVE
40	2	0710321	MOUNTING PLATE, STRIKER
41	4	0710595	STRIP, LINK
42	2	0710598	DOOR CATCH, BOTTOM
43	2	0710600	DOOR CATCH, TOP
44	2	0710601	STORAGE BRACKET
45	1	0802184	BODY WELDMENT - 4800 CONCEPT
46	2	0802367	FRONT DOOR WELDMENT
47	2	0803067	REAR DOOR WELDMENT
48	1	0803075	LT DOOR HANDLE WELDMENT
49	1	0803076	RT DOOR HANDLE WELDMENT
50	4	0803081	DOOR LATCH WELDMENT
51	2	BA0259	PIN, "D" RING
52	2	BA0283	"D" RING
53	2	CT0349	GUARD, SPLASH
54	4	DE483	SCREW, 3/4"-10 X 2-1/4" HEX HD CAP
55	2	HD0106	SPRING PIN, 1/4" X 1-3/4" TAIL
56	1	JH71	LIGHT, RIGHT
57	1	JH72	TAILLIGHT, LEFT
58	2	VA0587	MUDFLAP, BLACK W/ RWL

Section VI - PARTS (cont'd)

4800 CONCEPT BODY ASSEMBLY



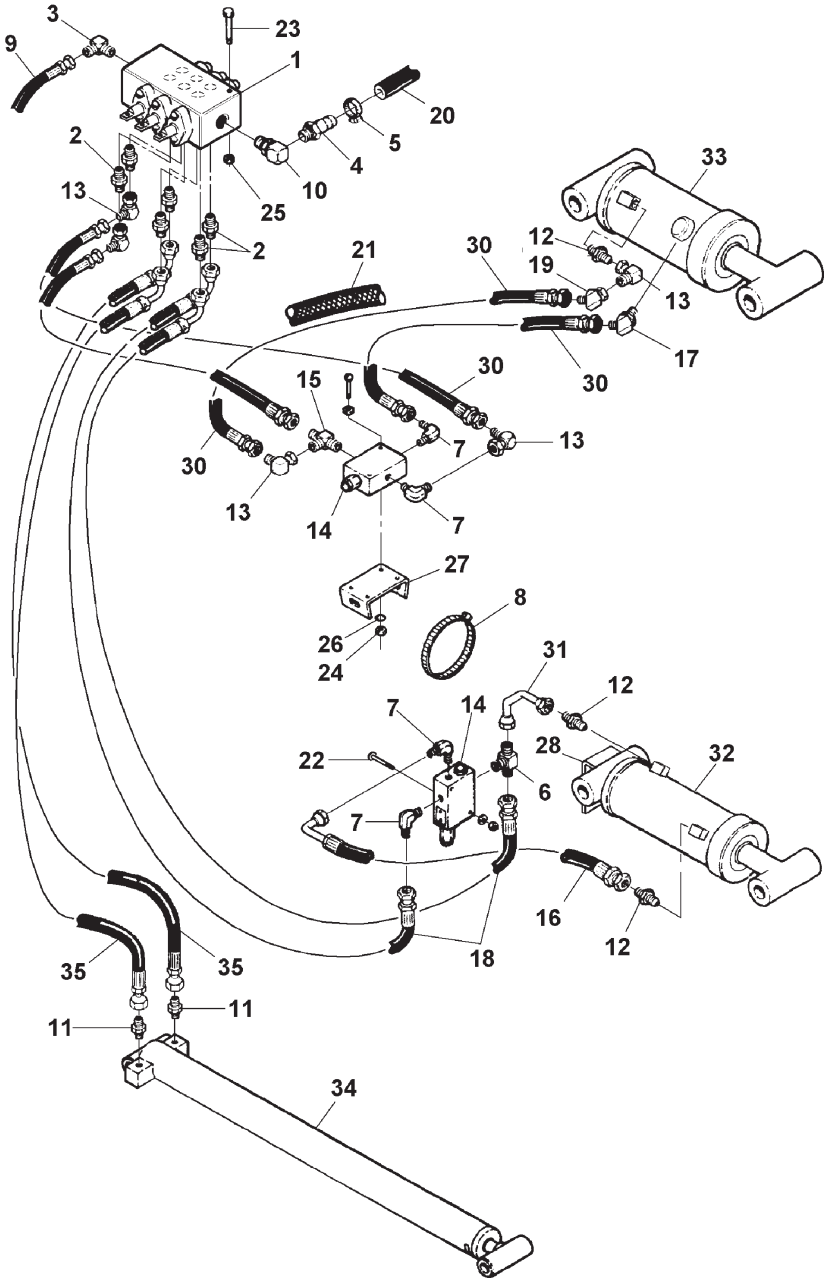
Section VI - PARTS (cont'd)

I-600 WHEEL LIFT ASSEMBLY

REF. NO.	NO. REQ'D	PART NUMBER	DESCRIPTION
1	2	0300110	SNAP RING, 1"
2	4	0300113	GREASE FITTING, ALEMITE
3	12	0301895	GREASE FITTING, STR 1/8"
4	1	0302248	BUSHING, PIVOT
5	2	0302726	GREASE FITTING, 1/4"-28 X 45°
6	4	0302776	SNAP RING, 2" EXT.
7	1	0302780	SLIDE PAD, NYLATRON
8	1	0302781	SLIDE PAD, NYLATRON
9	8	0302834	BEARING
10	1	0400107	SCREW, 5/16"-18 X 2-1/2" HEX HD CAP
11	9	0400130	SCREW, 3/8"-16 X 3-1/2" HEX HD CAP
12	1	0400133	SCREW, 3/8"-16 X 3" HEX HD CAP
13	2	0400193	SCREW, 1/2"-13 X 1-1/2" SOCKET FL HD
14	2	0400194	SCREW, 1/2"-13 X 1" SOCKET FL HD
15	1	0400278	SCREW, 3/4"-10 X 2" SOCKET FL HD
16	1	0400382	NUT, 5/16"-18 NYLOK HEX
17	9	0400392	NUT, 3/8"-16 NYLOK HEX
18	2	0400408	NUT, 1/2"-13 NYLOK HEX
19	2	0703747	THRUST WASHER, PIVOT
20	1	0707757	SLIDE PAD, STEEL
21	1	0707807	PIN, EXTEND CYLINDER BASE
22	1	0707808	PIN, EXTEND CYLINDER ROD END
23	1	0707809	PIN, LIFT CYLINDER BASE
24	2	0707810	PIN, BOOM LINKAGE
25	4	0707811	PIN, FRAME LINKAGE
26	1	0707819	PIN, TILT CYLINDER ROD END
27	1	0707983	SLIDE PAD, STEEL
28	2	0711288	SPACER
29	1	0802346	FRAME WELDMENT
30	1	0802347	INNER BOOM WELDMENT
31	1	0802348	OUTER BOOM WELDMENT
32	1	0802349	CROSSBAR WELDMENT
33	1	0802352	PIVOT PIN WELDMENT
34	2	0802358	LINK WELDMENT
35	REF.	HC0100	CYLINDER, LIFT
36	REF.	HC0146	CYLINDER, TILT
37	REF.	HC0147B	CYLINDER, EXTEND
38	4	HD0650	WASHER, 2" ID X 3" OD X #10 GA
39	4	RB0127	ARM LINK CASTING
40	6	0400278	SCREW, 3/4"-10 X 2" FL HD SOCKET
41	4	0400295	SCREW, 3/4"-10 X 5-1/2" HEX HD CAP
42	4	0400430	NUT, 3/4"-10 NYLOK HEX
43	14	0400510	WASHER, 3/4" FLAT
44	3	0802353	BRACKET, RETAINING

Section VI - PARTS (cont'd)

I-600 WHEEL LIFT HYDRAULICS



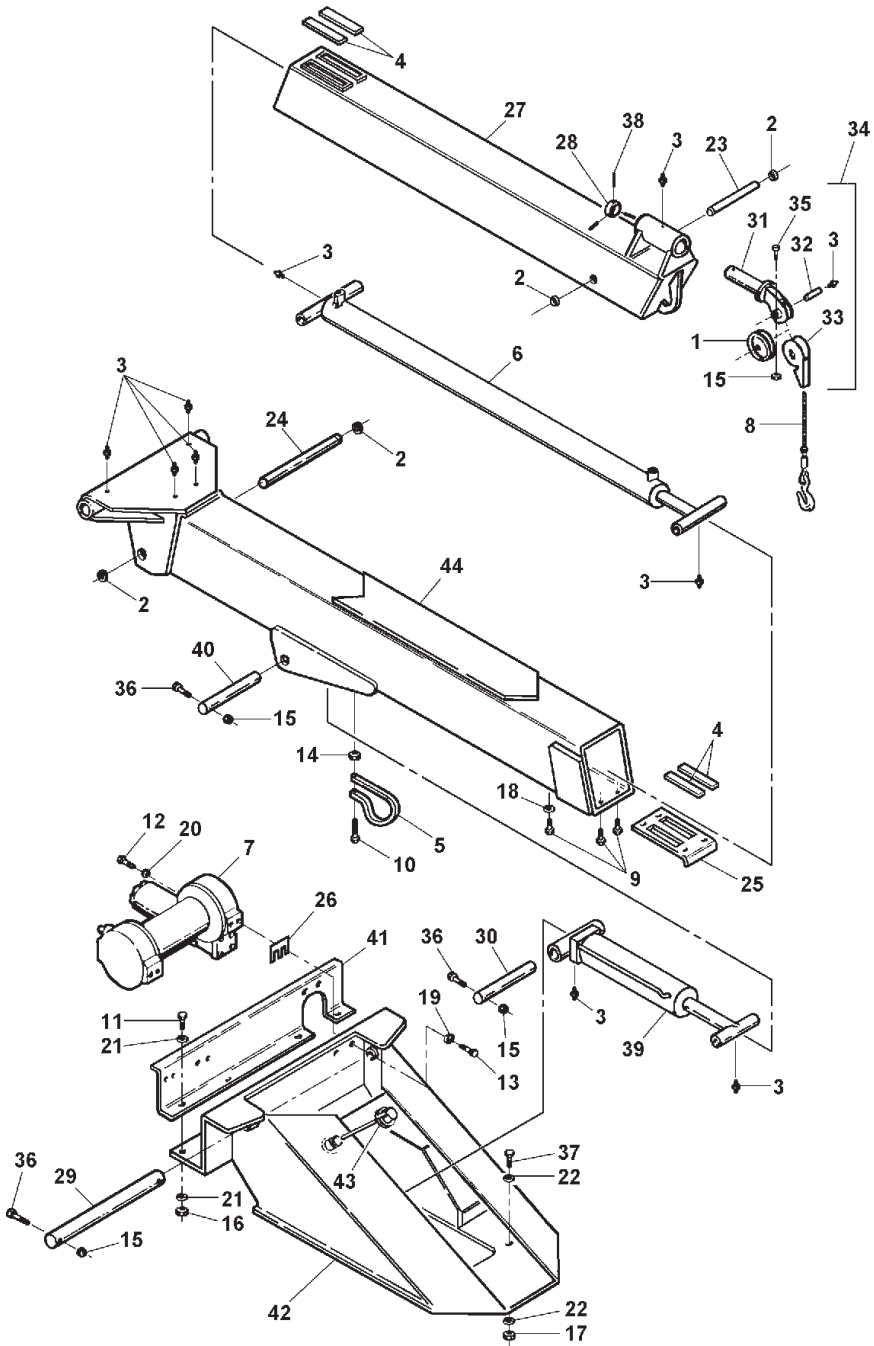
Section VI - PARTS (cont'd)

I-600 WHEEL LIFT HYDRAULICS

REF. NO.	NO. REQ'D	PART NUMBER	DESCRIPTION
1	1	0300010	3-SPOOL VALVE
2	6	0300044	CONNECTOR, 6MJ-8MB
3	1	0300052	ELBOW, 8MJ-10MB90
4	1	0300055	HOSEBARB, 12C4-12MP
5	1	0300071	CLAMP, HOSE 1"
6	1	0300206	BRANCHTEE, 6MJ-6MJ-4MP
7	4	0300209	ELBOW, 6MJ-6MP90
8	1	0300365	CLAMP, CHECK VALVE, 7"
9	1	0300660	HOSE ASSEMBLY, 120"
10	1	0301375	ELBOW, 12MB-12FP90
11	2	0301424	CONNECTOR, 6MJ-4MP
12	3	0301522	CONNECTOR, 6MJ-6MB
13	5	0301696	ELBOW, 6MJ-6FJX90
14	2	0301731	HOLDING VALVE, 4000 PSI
15	1	0301782	MALE RUN TEE, 6MJ-4MP-4MJ
16	1	0301900	HOSE ASSEMBLY, 18"
17	1	0302533	ELBOW, 6MJ-4MP45
18	2	0302759	HOSE ASSEMBLY, 20"
19	1	0302794	ELBOW, 6MJ-6FJX45
20	1	0302962	HOSE, 3/4" RETURN, 84" LONG
21	6 FT.	0303193	SKUFF JACKET
22	4	0400069	SCREW, 1/4"-20 X 2" SLOTTED RD HD MACH
23	3	0400140	SCREW, 3/8"-16 X 4" HEX HD CAP
24	4	0400367	NUT, 1/4"-20 NYLOK HEX
25	3	0400392	NUT, 3/8"-16 NYLOK HEX
26	8	0400451	WASHER, 1/4" FLAT
27	1	0703001	BRACKET, CHECK VALVE MOUNTING
28	1	0708014	PLATE, HOLDING VALVE MOUNTING
29	1	CT0287	VALVE MOUNTING PLATE (NOT SHOWN)
30	4	GR249	HOSE ASSEMBLY, VALVE TO CYLINDER
31	1	GO50	TUBE ASSEMBLY, LIFT CYLINDER
32	1	HC0100	CYLINDER, LIFT
33	1	HC0146	CYLINDER, TILT
34	1	HC0147B	CYLINDER, EXTEND
35	2	HC1217	HOSE ASSEMBLY, 58"
VALVE MOUNTING HARDWARE NOT ILLUSTRATED:			
--	2	0400132	SCREW, 3/8"-16 X 1-1/2" HEX HD CAP
--	2	0400243	CLIP, 3/8"-16 "J" TYPE TINNEMAN
--	7	0400480	WASHER, 3/8" FLAT
--	1	CT0287	VALVE MOUNTING PLATE

Section VI - PARTS (cont'd)

WRECKER ASSEMBLY - 4811



VI-10

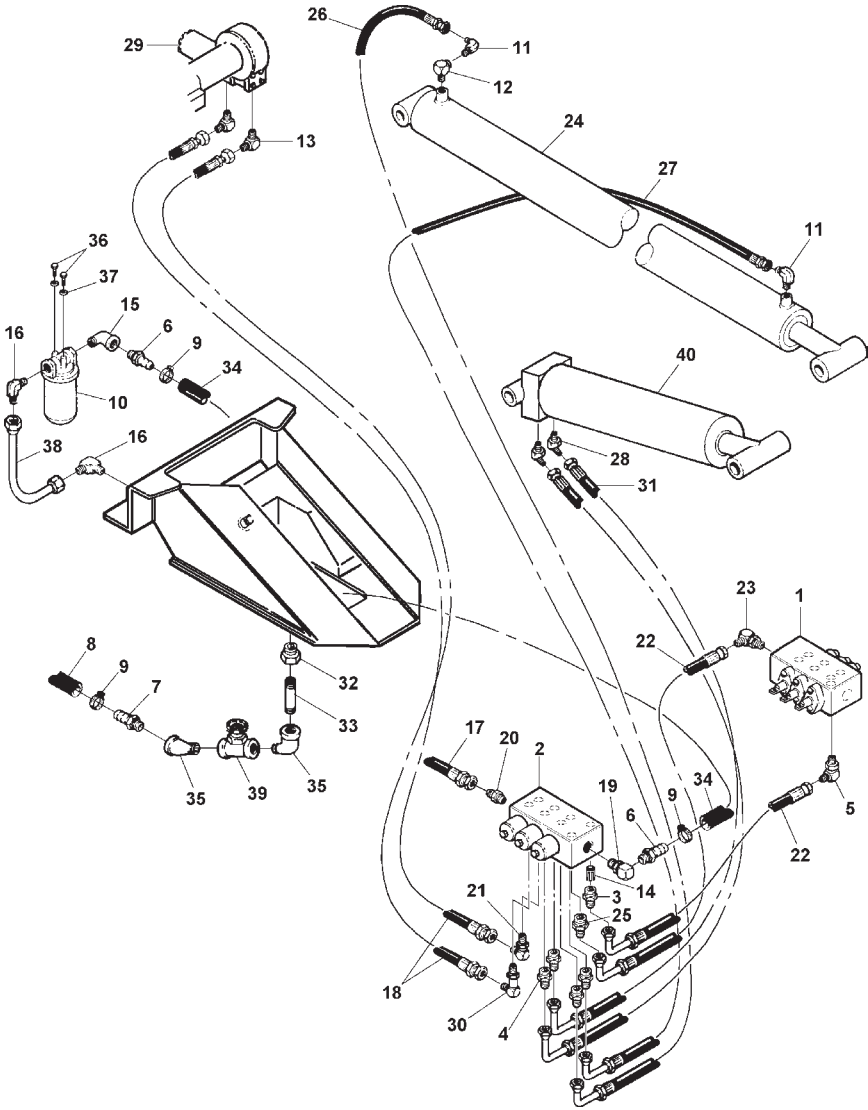
Section VI - PARTS (cont'd)

WRECKER ASSEMBLY - 4811

REF. NO.	NO. REQ'D	PART NUMBER	DESCRIPTION
1	1	0300022	SHEAVE, 6" COMPLETE
2	4	0300110	SNAP RING, 1" INTERNAL
3	10	0300113	GREASE FITTING, ALEMITE
4	4	0300679	BEARING PAD, NYLATRON
5	1	0301533	TIE DOWN STRAP, 15" W/O HOOKS
6	REF.	0301755	CYLINDER, BOOM EXTENSION
7	1	0302279	WINCH, H400, LEFT
8	1	0302793	WIRE ROPE, 7/16" X 100", 6 X 25 IWRC
9	4	0400060	SCREW, 1/4"-20 X 1/2" HEX HD CAP
10	1	0400078	SCREW, 1/4"-20 X 2" HEX HD CAP
11	4	0400177	SCREW, 1/2"-13 X 1-1/4" HEX HD CAP
12	2	0400196	SCREW, 1/2"-13 X 1-1/4" SOCKET HD CAP
13	8	0400234	SCREW, 7/16"-14 X 1-1/4" HEX HD CAP
14	1	0400367	NUT, 1/4"-20 NYLOK HEX
15	4	0400392	NUT, 3/8"-16 NYLOK HEX
16	4	0400408	NUT, 1/2"-13 NYLOK HEX
17	10	0400430	NUT, 3/4"-10 NYLOK HEX
18	4	0400452	LOCKWASHER, 1/4" HELICAL
19	8	0400487	LOCKWASHER, 7/16" HELICAL
20	2	0400491	LOCKWASHER, 1/2" HELICAL
21	8	0400492	WASHER, 1/2" FLAT
22	20	0400510	WASHER, 3/4" FLAT
23	1	0703082	PIN, EXTEND CYLINDER, ROD END
24	1	0703137	SHAFT, EXTEND CYLINDER, BASE END
25	1	0703965	PAD RETAINER, BOLT-ON
26	--	0706668	SHIM, WINCH MOUNTING
27	1	0804518	INNER BOOM WELDMENT - 4811
28	1	BA0175B	COLLAR
29	1	CP0004	PIN, BOOM PIVOT
30	1	CT0278	PIN, LIFT CYLINDER, BASE END
31	1	CT0410	BOOM END SWIVEL WELDMENT
32	1	CT0411	PIN, BOOM END SWIVEL
33	1	CT0412	CABLE GUIDE WELDMENT
34	1	CT0415	BOOM END SWIVEL ASSEMBLY (COMPLETE)
35	1	DE455	SCREW, 3/8"-16 X 2-3/4" HEX HD CAP
36	3	DE475	SCREW, 3/8"-16 X 3-1/4" CHS
37	10	0400284	BOLT, 3/4"-10 X 2-1/4"
38	13	HD0127	PIN, 5/16" X 3/4" ROLL
39	REF.	IF8C	CYLINDER, BOOM LIFT
40	1	WG0225	PIN, LIFT CYLINDER, ROD END
41	1	WG0322	WINCH MOUNTING BRACKET - 4811
42	1	WG0323	MAST WELDMENT - 4811
43	1	WG0330	RESERVOIR CAP (DIPSTICK)
44	1	WG0344	OUTER BOOM WELDMENT - 4800

Section VI - PARTS (cont'd)

WRECKER HYDRAULICS - 4811

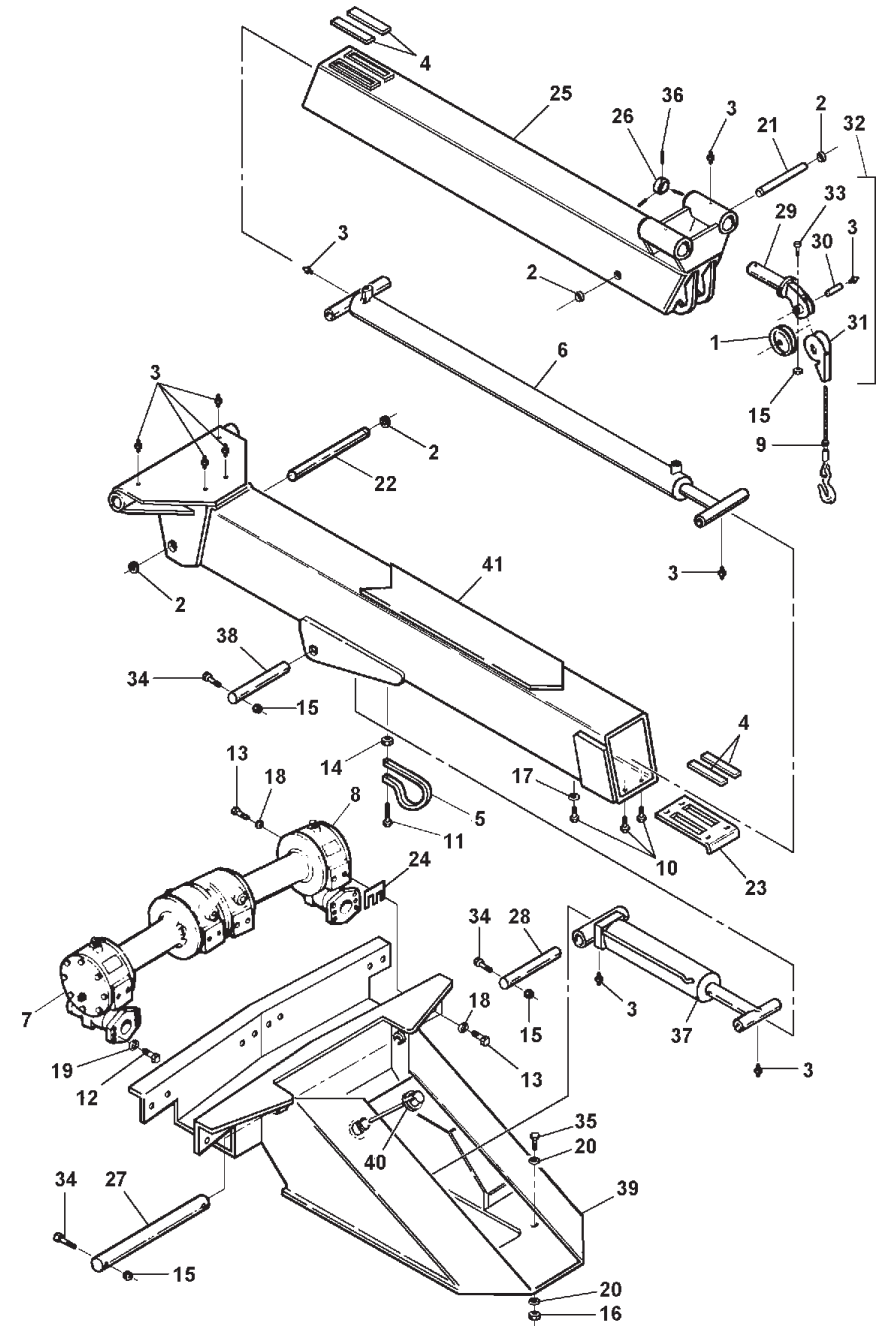


Section VI - PARTS (cont'd)
WRECKER HYDRAULICS - 4811

REF. NO.	NO. REQ'D	PART NUMBER	DESCRIPTION
1	REF.	0300010	VALVE, 3-SPOOL, CONTROL
2	1	0300010	VALVE, 3-SPOOL, CONTROL
3	1	0300041	CONNECTOR, 8MJ-8MB
4	4	0300044	CONNECTOR, 6MJ-8MB
5	1	0300052	ELBOW, 8MJ-10MB90
6	2	0300055	HOSEBARB, 12C4-12MP
7	1	0300056	BARB, 16C4-16MP
8	9 FT.	0300058	HOSE, 1" SUCTION 16C4
9	4	0300071	CLAMP, HOSE 1"
10	1	0300136	FILTER ASSEMBLY, RETURN LINE
11	2	0300142	ELBOW, 6MJ-4MP90
12	1	0300147	ELBOW, STREET 4MP-4FP90
13	2	0300229	ELBOW, 8MJ-8MP90
14	1	0300286	ADAPTER, H.P.C.O.
15	1	0300288	ELBOW, 3/4" STREET 90°
16	2	0300615	ELBOW, 12MJ-12MP90
17	1	0300660	HOSE ASSEMBLY, 120" LONG
18	2	0301207	HOSE ASSEMBLY, 72" LONG
19	1	0301375	ELBOW, 12MB-12FP90
20	1	0301376	CONNECTOR, 8MJ-10MB
21	1	0301388	ELBOW, 8MJ-8MB90
22	2	0301471	HOSE ASSEMBLY, 30" LONG
23	1	0301547	ELBOW, 8MJ-12MB90
24	REF.	0301755	CYLINDER, BOOM EXTENSION
25	1	0301780	CONNECTOR, 8MJ-12MB

REF. NO.	NO. REQ'D	PART NUMBER	DESCRIPTION
26	1	0301964	HOSE ASSEMBLY, 65" LONG
27	1	0301965	HOSE ASSEMBLY, 131" LONG
28	2	0302321	ELBOW, 8MJ-8MB45
29	1	0302469	MOTOR, HYDRAULIC
30	1	0302508	CONNECTOR, 8MJ-8MB90LL
31	2	0302588	HOSE ASSEMBLY, 56" LONG
32	1	0302953	BUSHING, 24MP-16FP BLACK
33	1	0302959	PIPE NIPPLE, 1" X 3" NPT
34	7 FT.	0302962	HOSE, 3/4" RETURN
35	2	0303099	ELBOW, STREET 45°, 1" MALLEABLE BLACK
36	2	0400066	SCREW, 1/4"-20 X 3/4" HEX HD CAP
37	2	0400452	LOCKWASHER, 1/4" HELICAL
38	1	HC0815	TUBE ASSEMBLY, 8-3/4" LONG
39	1	HC1338	GATE VALVE, 1" BRASS
40	REF.	IF8C	CYLINDER, BOOM ELEVATION
VALVE MOUNTING HARDWARE NOT ILLUSTRATED:			
--	4	0400132	SCREW, 3/8"-16 X 1-1/2" HEX HD CAP
--	6	0400140	SCREW, 3/8"-16 X 4" HEX HD CAP
--	4	0400243	CLIP, 3/8"-16 "J" TYPE TINNEMAN
--	10	0400392	NUT, 3/8"-16 NYLOK HEX
--	14	0400480	WASHER, 3/8" FLAT
--	2	CT0287	VALVE MOUNTING PLATE

Section VI - PARTS (cont'd)
WRECKER ASSEMBLY - 4812



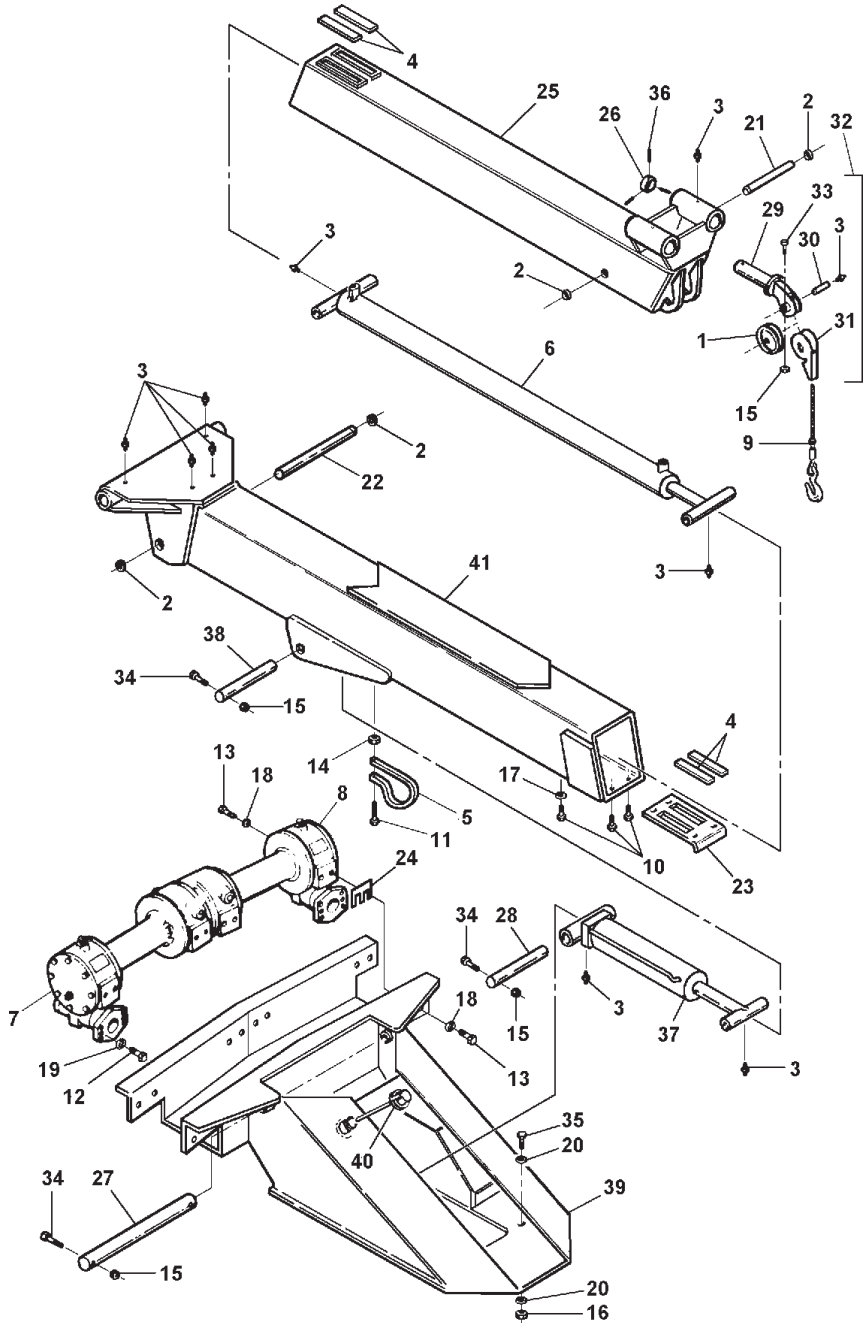
Section VI - PARTS (cont'd)

WRECKER ASSEMBLY - 4812

REF. NO.	NO. REQ'D	PART NUMBER	DESCRIPTION
1	2	0300022	SHEAVE, 6" COMPLETE
2	4	0300110	SNAP RING, 1" INTERNAL
3	12	0300113	GREASE FITTING, ALEMITE
4	4	0300679	BEARING PAD, NYLATRON
5	2	0301533	TIE DOWN STRAP, 15" W/O HOOKS
6	REF.	0301755	CYLINDER, BOOM EXTENSION
7	1	0302279	WINCH, H400, LEFT
8	1	0302280	WINCH, H400, RIGHT
9	2	0302793	WIRE ROPE, 7/16" X 100", 6 X 25 IWRC
10	4	0400060	SCREW, 1/4"-20 X 1/2" HEX HD CAP
11	2	0400078	SCREW, 1/4"-20 X 2" HEX HD CAP
12	4	0400196	SCREW, 1/2"-13 X 1-1/4" SOCKET HD CAP
13	16	0400234	SCREW, 7/16"-14 X 1-1/4" HEX HD CAP
14	2	0400367	NUT, 1/4"-20 NYLOK HEX
15	5	0400392	NUT, 3/8"-16 NYLOK HEX
16	10	0400430	NUT, 3/4"-10 NYLOK HEX
17	4	0400452	LOCKWASHER, 1/4" HELICAL
18	16	0400487	LOCKWASHER, 7/16" HELICAL
19	4	0400491	LOCKWASHER, 1/2" HELICAL
20	10	0400510	WASHER, 3/4" FLAT
21	1	0703082	PIN, EXTEND CYLINDER, ROD END
22	1	0703137	SHAFT, EXTEND CYLINDER, BASE END
23	1	0703965	PAD RETAINER, BOLT-ON
24	--	0706668	SHIM, WINCH MOUNTING
25	1	0804519	INNER BOOM WELDMENT - 4812
26	2	BA0175B	COLLAR
27	1	CP0004	PIN, BOOM PIVOT
28	1	CT0278	PIN, LIFT CYLINDER, BASE END
29	2	CT0410	BOOM END SWIVEL WELDMENT
30	2	CT0411	PIN, BOOM END SWIVEL
31	2	CT0412	CABLE GUIDE WELDMENT
32	2	CT0415	BOOM END SWIVEL ASSEMBLY (COMPLETE)
33	2	DE455	SCREW, 3/8"-16 X 2-3/4" HEX HD CAP
34	2	DE475	SCREW, 3/8"-16 X 3-1/4" CHS
35	10	0400284	BOLT, 3/4"-10 X 2-1/4"
36	6	HD0127	PIN, 5/16" X 3/4" ROLL
37	REF.	IF8C	CYLINDER, BOOM LIFT
38	1	WG0225	PIN, LIFT CYLINDER, ROD END
39	1	WG0311	MAST WELDMENT - 4812
40	1	WG0330	RESERVOIR CAP (DIPSTICK)
41	1	WG0344	OUTER BOOM WELDMENT - 4800

Section VI - PARTS (cont'd)

WRECKER HYDRAULICS - 4812

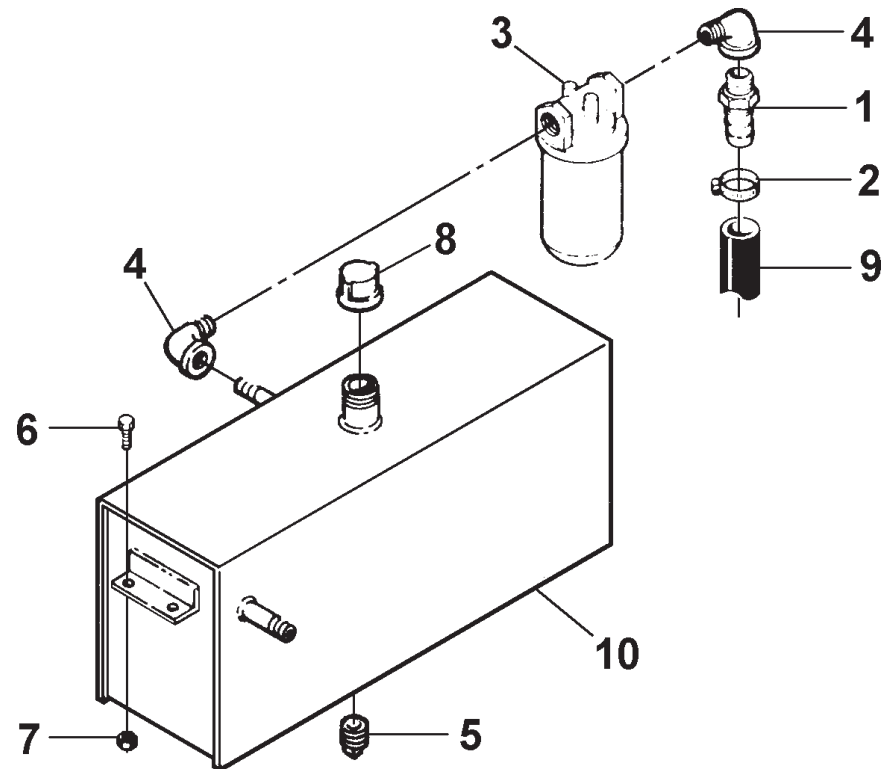


Section VI - PARTS (cont'd)
WRECKER HYDRAULICS - 4812

REF. NO.	NO. REQ'D	PART NUMBER	DESCRIPTION
1	REF.	0300010	VALVE, 3-SPOOL, CONTROL
2	1	0300011	VALVE, 4-SPOOL, CONTROL
3	1	0300041	CONNECTOR, 8MJ-8MB
4	4	0300044	CONNECTOR, 6MJ-8MB
5	1	0300052	ELBOW, 8MJ-10MB90
6	2	0300055	HOSEBARB, 12C4-12MP
7	1	0300056	BARB, 16C4-16MP
8	9 FT.	0300058	HOSE, 1" SUCTION 16C4
9	4	0300071	CLAMP, HOSE 1"
10	1	0300136	FILTER ASSEMBLY, RETURN LINE
11	2	0300142	ELBOW, 6MJ-4MP90
12	1	0300147	ELBOW, STREET 4MP-4FP90
13	2	0300229	ELBOW, 8MJ-8MP90
14	1	0300286	ADAPTER, H.P.C.O.
15	1	0300288	ELBOW, 3/4" STREET 90°
16	2	0300615	ELBOW, 12MJ-12MP90
17	1	0300660	HOSE ASSEMBLY, 120" LONG
18	2	0301207	HOSE ASSEMBLY, 72" LONG
19	1	0301375	ELBOW, 12MB-12FP90
20	1	0301376	CONNECTOR, 8MJ-10MB
21	2	0301388	ELBOW, 8MJ-8MB90
22	2	0301471	HOSE ASSEMBLY, 30" LONG
23	1	0301547	ELBOW, 8MJ-12MB90
24	REF.	0301755	CYLINDER, BOOM EXTENSION
25	1	0301780	CONNECTOR, 8MJ-12MB
26	2	0301893	HOSE ASSEMBLY, 84" LONG

REF. NO.	NO. REQ'D	PART NUMBER	DESCRIPTION
27	1	0301964	HOSE ASSEMBLY, 65" LONG
28	1	0301965	HOSE ASSEMBLY, 131" LONG
29	2	0302321	ELBOW, 8MJ-8MB45
30	1	0302469	MOTOR, HYDRAULIC
31	2	0302508	CONNECTOR, 8MJ-8MB90LL
32	2	0302588	HOSE ASSEMBLY, 56" LONG
33	1	0302953	BUSHING, 24MP-16FP BLACK
34	1	0302959	PIPE NIPPLE, 1" X 3" NPT
35	7 FT.	0302962	HOSE, 3/4" RETURN
36	2	0303099	ELBOW, STREET 45°, 1" MALLEABLE BLACK
37	2	0400066	SCREW, 1/4"-20 X 3/4" HEX HD CAP
38	2	0400452	LOCKWASHER, 1/4" HELICAL
39	1	HC0815	TUBE ASSEMBLY, 8-3/4" LONG
40	1	HC1338	GATE VALVE, 1" BRASS
41	REF.	IF8C	CYLINDER, BOOM ELEVATION
VALVE MOUNTING HARDWARE NOT ILLUSTRATED:			
--	4	0400132	SCREW, 3/8"-16 X 1-1/2" HEX HD CAP
--	6	0400140	SCREW, 3/8"-16 X 4" HEX HD CAP
--	4	0400243	CLIP, 3/8"-16 "J" TYPE TINNERMAN
--	10	0400392	NUT, 3/8"-16 NYLOK HEX
--	14	0400480	WASHER, 3/8" FLAT
--	2	CT0287	VALVE MOUNTING PLATE

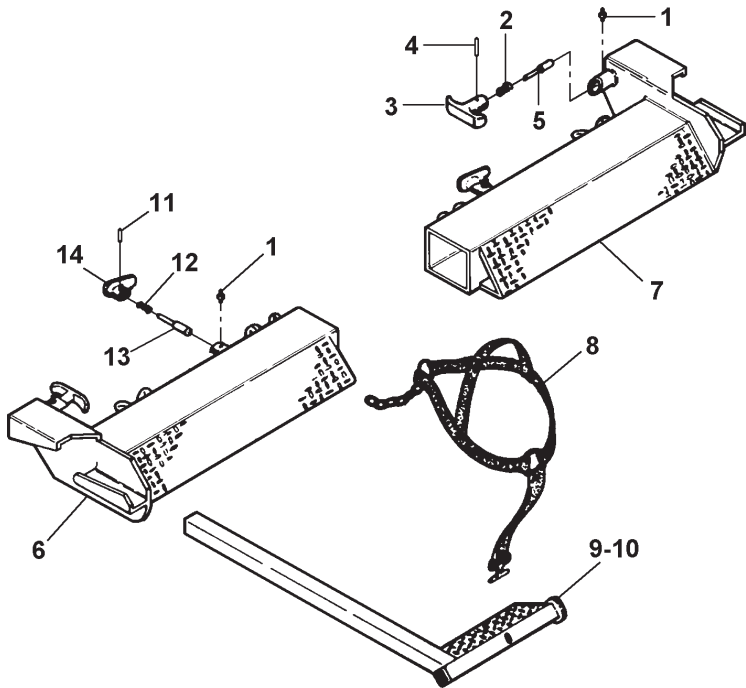
Section VI - PARTS (cont'd) 4805 (WHEEL LIFT ONLY) RESERVOIR



REF. NO.	NO. REQ'D	PART NUMBER	DESCRIPTION
1	1	0300055	HOSEBARB, 12C4-12MP
2	2	0300071	CLAMP, HOSE 1"
3	1	0300136	RETURN LINE FILTER ASSEMBLY
4	2	0300288	ELBOW, STREET 90° 3/4" MALLEABLE BLACK
5	1	0300347	PLUG, 1/2" SQ HD BLACK
6	4	0400126	SCREW, 3/8"-16 X 1" HEX HD CAP
7	4	0400392	NUT, 3/8"-16 NYLOK HEX
8	1	0702741	RESERVOIR CAP
9	7 FT.	0302962	HOSE, RETURN 3/4"
10	1	0800788	RESERVOIR WELDMENT

Section VI - PARTS (cont'd)

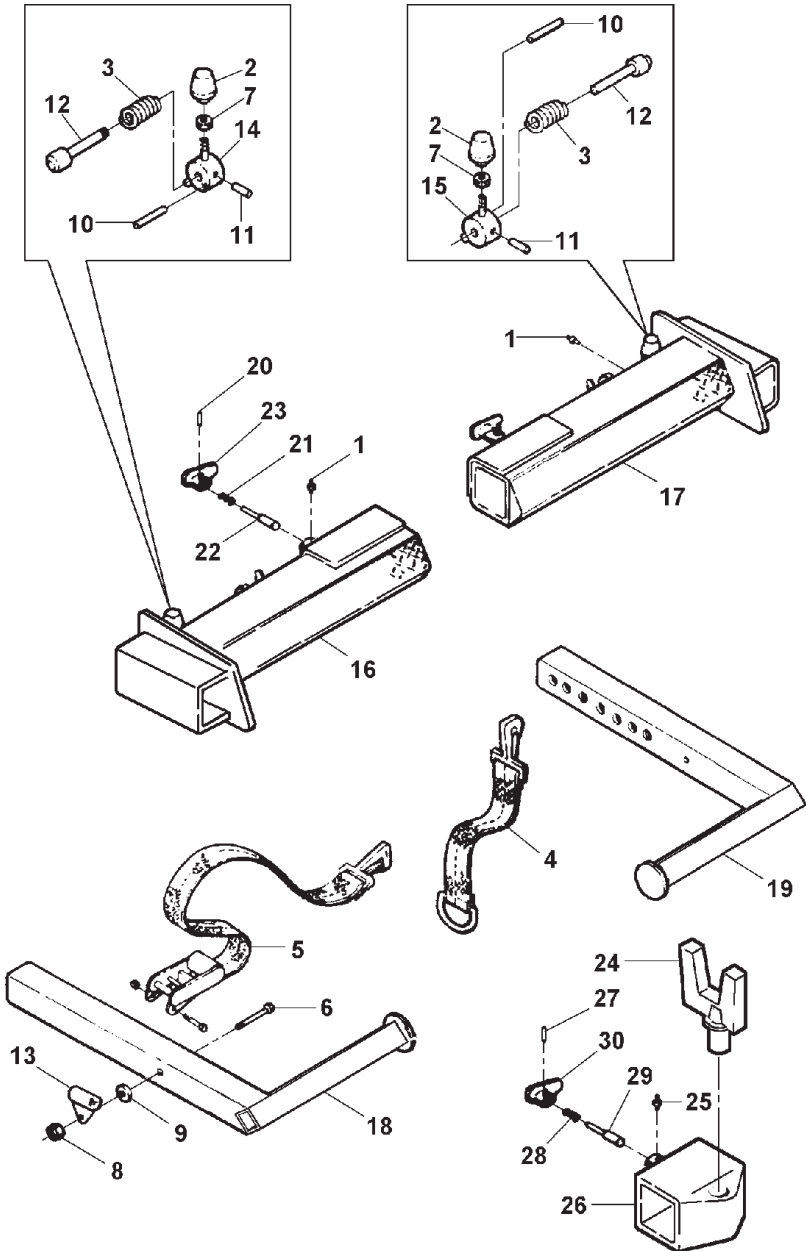
ALLOY "L" ARM & RECEIVER ASSEMBLY



REF. NO.	NO. REQ'D	PART NUMBER	DESCRIPTION
--	1	0902790	"L" ARM RECEIVER ASSY, LEFT (COMPLETE)
--	1	0902791	"L" ARM RECEIVER ASSY, RIGHT (COMPLETE)
1	4	0300113	GREASE FITTING, ALEMITE
2	2	0302641	SPRING, PLUNGER PIN
3	2	0302648	"T" HANDLE
4	2	0400560	PIN, 5/32" X 1" ROLL
5	2	0707505	PIN, PLUNGER
6	1	0802350	ALLOY RECEIVER WELDMENT, LEFT
7	1	0802351	ALLOY RECEIVER WELDMENT, RIGHT
8	2	0902382	1" NYLON POLY COAT STRAP
9	1	0903476	TIRE RESTRAINT, LEFT
10	1	0903477	TIRE RESTRAINT, RIGHT
11	2	HD0125	PIN, 5/32" X 1-3/8" SPRING
12	2	HD1203	SPRING, PLUNGER PIN
13	2	RB0296	PIN, PLUNGER PULL LOCK
14	2	RB0357	HANDLE, PULL GRIP

Section VI - PARTS (cont'd)

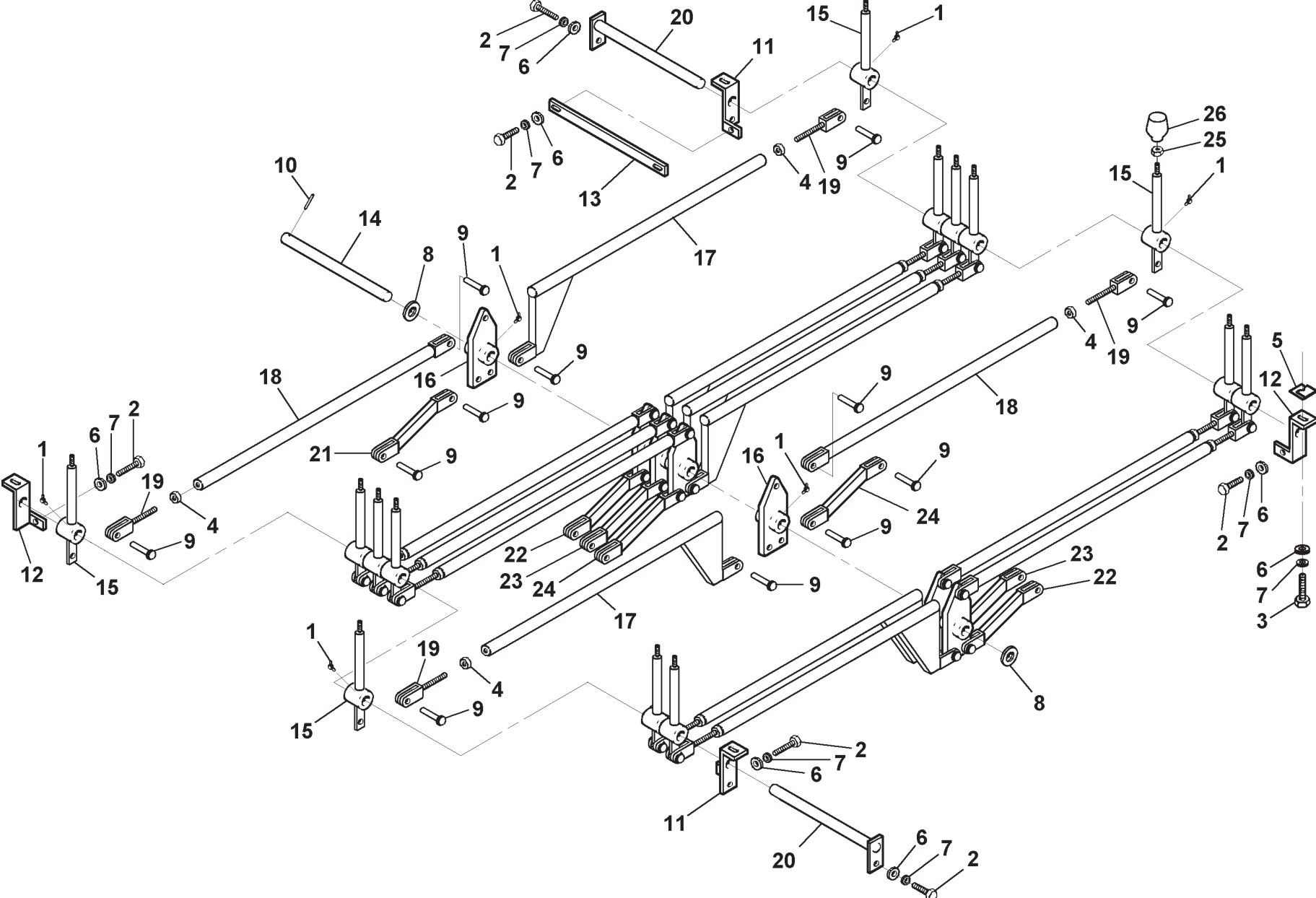
OPTIONAL 6000# "L" BAR & RECEIVER ASSEMBLY & I-600 FORK KIT



Section VI - PARTS (cont'd)
OPTIONAL 6000# "L" BAR & RECEIVER
ASSEMBLY & I-600 FORK KIT

REF. NO.	NO. REQ'D	PART NUMBER	DESCRIPTION
--	1	0902544	6000# "L" BAR RECEIVER ASSY, LEFT (COMPLETE)
--	1	0902545	6000# "L" BAR RECEIVER ASSY, RIGHT (COMPLETE)
1	4	0300113	GREASE FITTING, ALEMITE
2	2	0300341	KNOB, W/L CROSS BAR CONTROL
3	2	0301417	SPRING, PLUNGER PIN
4	2	0301681	TIRE RESTRAINT BELT EXTENSION
5	2	0301682	TIRE RESTRAINT ASSEMBLY
6	2	0400269	BOLT, 5/8"-11 X 4-1/2" CARRIAGE
7	2	0400393	NUT, 3/8"-16 HEX JAM
8	2	0400421	NUT, 5/8"-11 NYLOK HEX
9	2	0400506	WASHER, 5/8" FLAT
10	2	0400559	PIN, 3/16" X 1" ROLL
11	2	0400560	PIN, 5/32" X 1" ROLL
12	2	0706688	PIN, PLUNGER
13	2	0800839	PIVOT BRACKET, TIE-DOWN STRAP
14	1	0802069	HANDLE, PLUNGER PIN, LEFT
15	1	0802070	HANDLE, PLUNGER PIN, RIGHT
16	1	0802447	RECEIVER WELDMENT, LEFT
17	1	0802448	RECEIVER WELDMENT, RIGHT
18	1	0903475	TIRE RESTRAINT, LEFT, 6000#
19	1	0903481	TIRE RESTRAINT, RIGHT, 6000#
20	2	HD0125	PIN, 5/32" X 1-3/8" SPRING
21	2	HD1203	SPRING, PLUNGER PIN
22	2	RB0296	PIN, PLUNGER PULL LOCK
23	2	RB0357	HANDLE, PULL GRIP
I-600 FORK KIT			
24	2	0802804	FORK, SHORT (3" OPENING)
--	2	0902481	FORK ADAPTOR ASSEMBLY (COMPLETE)
25	2	0300113	GREASE FITTING, ALEMITE
26	2	0802354	FORK ADAPTOR, I-600
27	2	HD0125	SPRING PIN, 5/32" X 1-3/8"
28	2	HD1203	SPRING, PLUNGER PIN
29	2	RB0296	PIN, PLUNGER PULL LOCK
30	2	RB0357	HANDLE, PULL GRIP

Section VI - PARTS (cont'd)
CONTROL ASSEMBLY



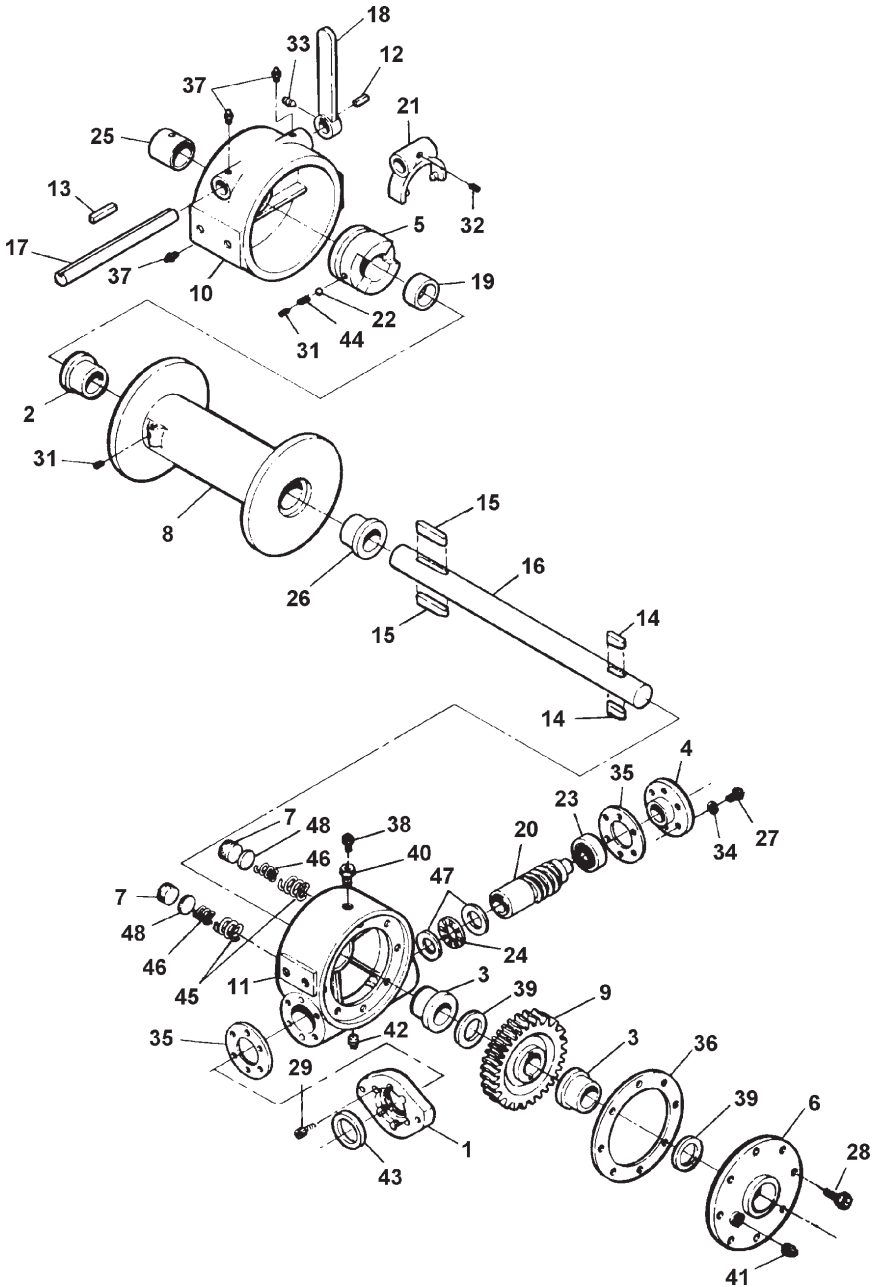
Section VI - PARTS (cont'd)

CONTROL ASSEMBLY

REF. NO.	NO. REQ'D	PART NUMBER	DESCRIPTION
1	21	0302726	GREASE FITTING, 1/4"-28 X 45°
2	6	0400126	SCREW, 3/8"-16 X 1" HEX HD CAP
3	4	0400132	SCREW, 3/8"-16 X 1-1/2" HEX HD CAP
4	14	0400390	NUT, 3/8"-16 HEX JAM
5	4	0400396	CLIP, 3/8"-16 "J" TINNERMAN
6	10	0400480	WASHER, 3/8" FLAT
7	10	0400482	LOCKWASHER, 3/8" HELICAL
8	2	0400510	WASHER, 3/4" FLAT
9	42	0400527	CLEVIS PIN, 5/16" X 5/8" COTTERLESS
10	1	0400568	ROLL PIN, 3/8" X 3"
11	2	0707977	MOUNTING BRACKET, CONTROL HANDLE
12	2	0707978	MOUNTING BRACKET, CONTROL HANDLE
13	2	0707988	RETAINING BAR
14	1	0707991	PIVOT PIN, BELL CRANK
15	14	0802379	CONTROL HANDLE WELDMENT, 8"
16	7	0802380	BELLCRANK WELDMENT
17	7	0802409	CROSS CONTROL ROD
18	7	0802410	CROSS CONTROL ROD
19	14	0802413	CONNECTING ROD, HANDLE
20	2	0802415	RETAINING PIN, CONTROL HANDLE
21	1	0802416	CONNECTING BAR, VALVE (CT0330)
22	2	0802417	CONNECTING BAR, VALVE (CT0331)
23	2	0802418	CONNECTING BAR, VALVE (CT0332)
24	2	0802419	CONNECTING BAR, VALVE (CT0333)
25	14	0400410	NUT, 1/2"-13 HEX JAM
26	14	JH94s	CONTROL KNOB

Section VI - PARTS (cont'd)

HYDRAULIC WINCH ASSEMBLY



CHALLENGER[®]

A Division of Miller Industries Towing Equipment Inc.
8503 Hilltop Drive • Ooltewah, Tennessee 37363 • (423) 238-4171
Telex: 856967 CENWKRTN UD