

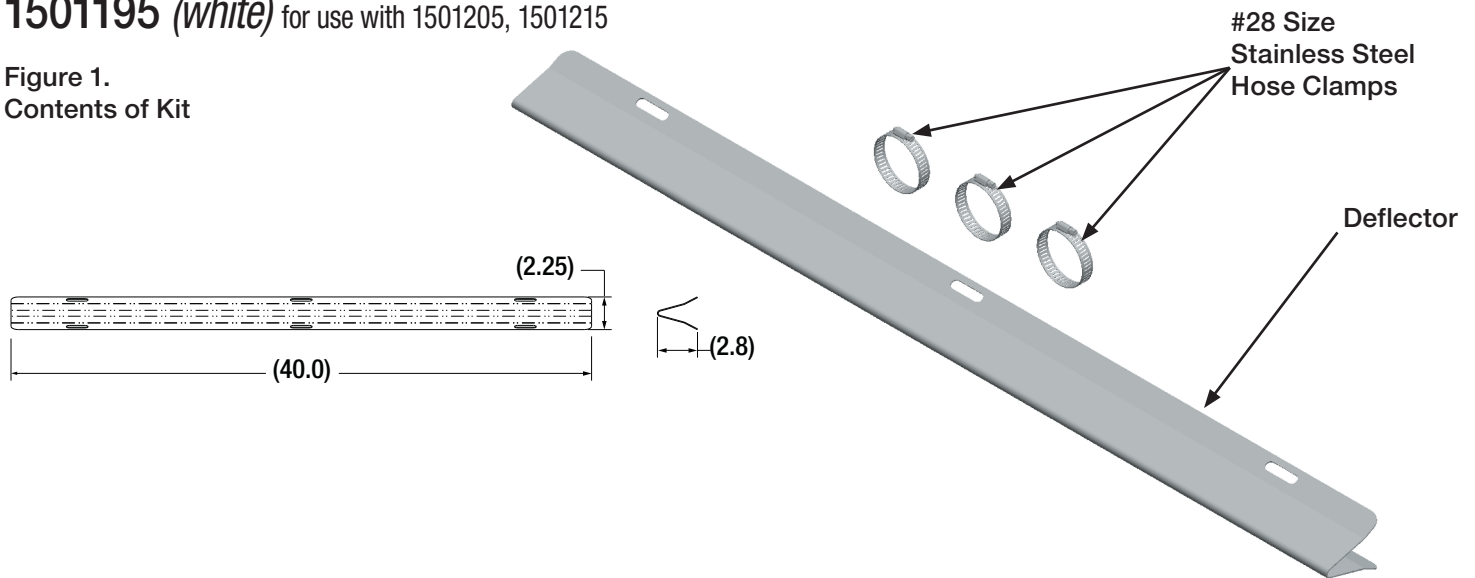
Installation Instructions

Wind Deflectors for Round Tube Ladder Racks

1501193 (black) for use with 1501100, 1501200, 1501210, 1501300

1501195 (white) for use with 1501205, 1501215

Figure 1.
Contents of Kit



Step 1. Install the Deflector on the Front Hoop of your ladder rack using the provided clamps.

The Deflector should be positioned so it points downward as shown.

Step 2. Test the Deflector at highway speeds to confirm that the wind noise has been reduced.

The angle may be adjusted if necessary. Confirm that the clamps are completely tightened before each road test and after the final position is determined.

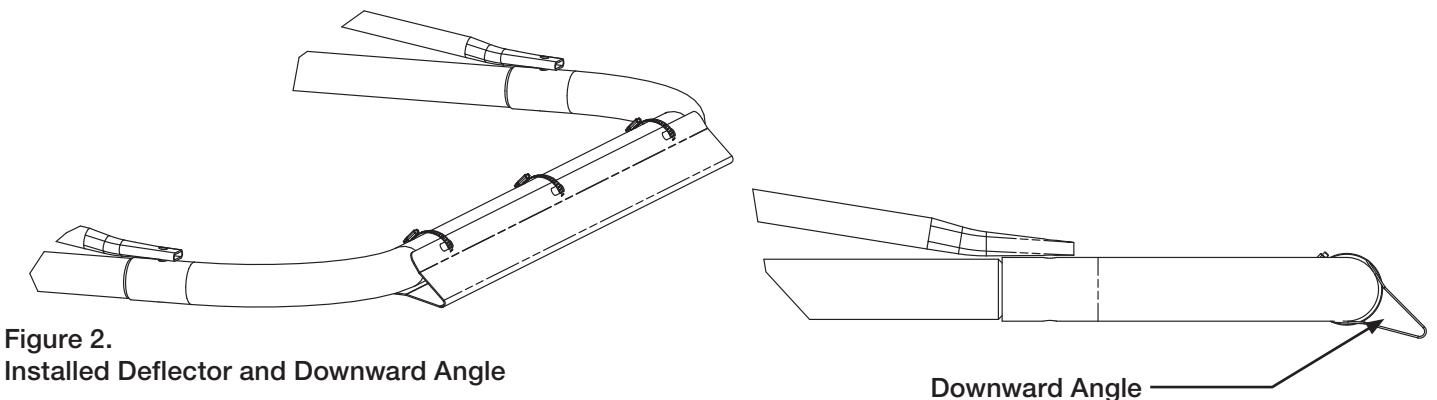


Figure 2.
Installed Deflector and Downward Angle

WARRANTY

Buyers Products Co. warrants all truck/trailer hardware manufactured or distributed by it, to be free from defects in material and workmanship for a period of one year from date of shipment. Parts must be properly installed and used under normal conditions. Any product which has been altered, including modification, misuse, accident or lack of maintenance will not be considered under warranty. Normal wear is excluded. The sole responsibility of Buyers Products Co. under this warranty is limited to repairing or replacing any part or parts which are returned, prepaid, and are found to be defective by Buyers Products Co. Authorization from Buyers Products Co. must be obtained before returning any part. No charges for transportation or labor performed on Buyers' products will be allowed under this warranty.