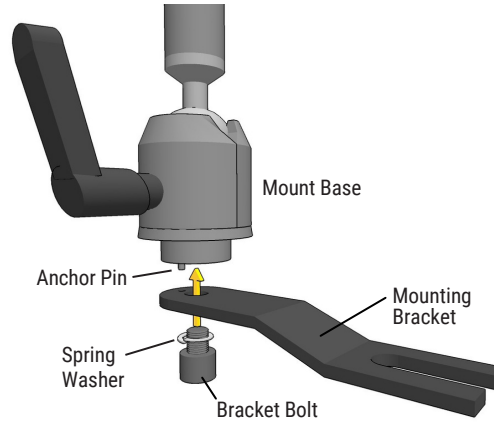


Package Contents:

- 1 - HD 22" seat rail pedestal with no head (HD001NHB)
- 1 - Keyboard tray and adjustable arm with kit (TCMKB-B)
- 1 - Universal push-button tablet holder (TAB003)
- 1 - Brackets (SPHD001)
- 1 - 20mm ball to dual t-tab (AP20MMAL)

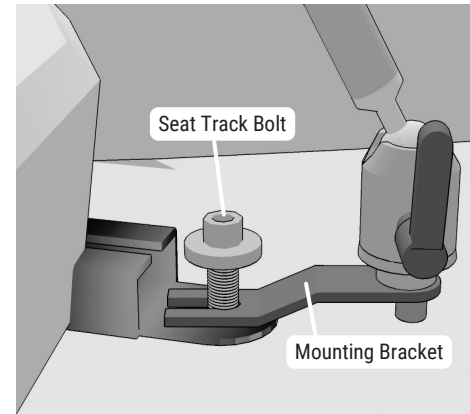


- 1 Attach the appropriate mounting bracket to the mount using included bracket bolt and hex key. Align anchor pin to hole on bracket and position spring washer between the bolt and bracket as shown.

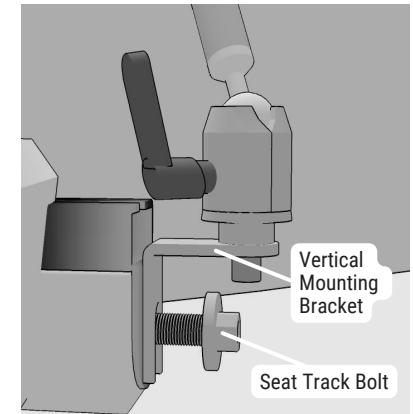


Loosen the passenger seat track bolt with a socket wrench and insert the mounting bracket between the bolt and the seat track; firmly retighten the seat track bolt.

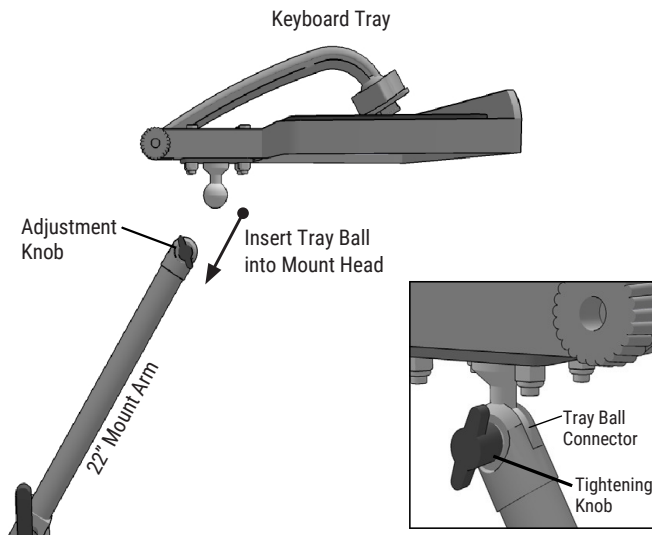
Horizontal Bolt Install



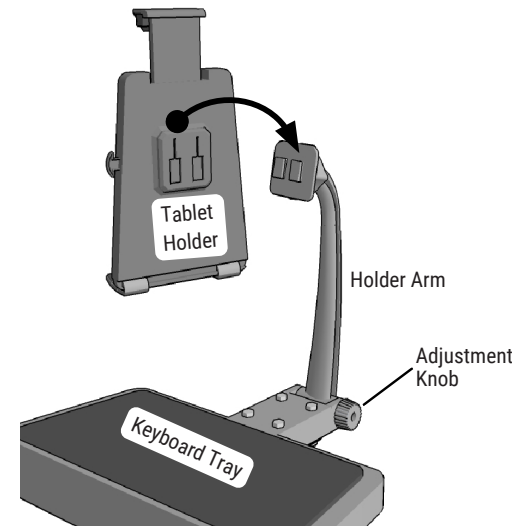
Vertical Bolt Install



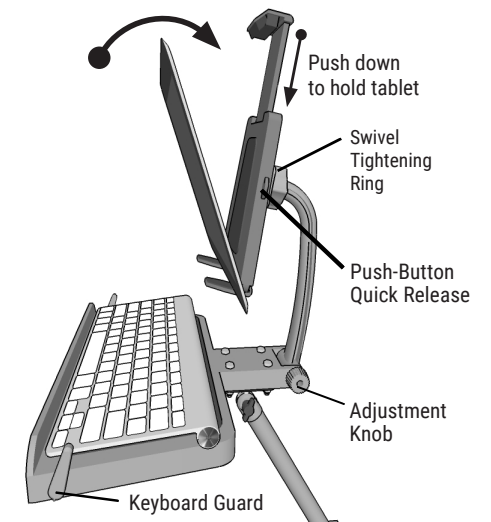
- 2 Remove 2T head from mount arm & attach keyboard tray; tighten adjustment knob.



- 3 Attach tablet holder to the holder arm on the keyboard tray.



- 4 Insert tablet into holder and place keyboard on the tray.



WARNING
CHOKING HAZARD - Keep out of reach from children under 8 yrs. as they can choke or suffocate on parts included with this system

WARNING
Arkon® is not responsible for any damages caused to your device or yourself due to the installation or use of this mount. Do not install Arkon® products near areas that interfere with operation of vehicles. Arkon® assumes no responsibility or liability for injury or death as a result of failure to install in a safe location. Arkon® is not responsible for any damages caused to vehicles, product, or people due to the installation or use of this product.

