



OWNER'S MANUAL

DTU

PARTS

NOTE: MANUAL including SPECIFICATIONS, subject to change without notice.
All ratings specified are based on structural factors only,
not vehicle capacities or capabilities.



Miller Industries Towing Equipment Inc.
8503 Hilltop Drive
Ooltewah, Tennessee 37363
Phone (423) 238-4171 • FAX (423) 238-5371

FORM NO. 0501713
10 / 2009
PRICE \$25.00

LIMITED WARRANTY

MILLER INDUSTRIES TOWING EQUIPMENT INC., hereinafter referred to as MILLER, warrants to the original purchaser that each new MILLER wrecker or other MILLER products will be free from defects in material and workmanship for a period of twelve (12) months from date placed in service, but in no event shall such warranty period exceed twenty-four (24) months from date of manufacture by MILLER. The purchaser must promptly notify MILLER in writing of any failure in material or workmanship. In no event shall MILLER accept such notification later than twenty-four (24) months from date of delivery or twelve (12) months from date placed in service, whichever is earlier.

MILLER's obligation under this warranty, statutory or otherwise, is limited to the repair or replacement at the MILLER factory, or at a point designated by MILLER, of such part or parts as shall appear upon inspection by MILLER to be defective in material or workmanship. New or remanufactured parts will be used for any replacement at MILLER's option. This warranty is not transferable. This warranty does not obligate MILLER to bear the cost of labor or transportation charges in connection with the repair or replacement of any parts found to be defective, nor shall it apply to a product upon which repairs or alterations have been made unless authorized by MILLER.

EXCEPT AS EXPRESSLY SET FORTH IN THIS WARRANTY, MILLER MAKES NO OTHER WARRANTY, EXPRESS OR IMPLIED, AND HEREBY DISCLAIMS ALL OTHER WARRANTIES INCLUDING, BUT NOT LIMITED TO, THE IMPLIED WARRANTIES OF MERCHANTABILITY AND FITNESS FOR A PARTICULAR PURPOSE. MILLER shall in no event be liable for claimed downtime, claimed loss of profits or goodwill, or any other special, incidental, indirect, or consequential damages concerning or relating to any product or parts, whether based on negligence, strict liability, breach of contract, breach of warranty, misrepresentation or any other legal theory, regardless of whether the loss resulted from any general or particular requirement which MILLER knew or had reason to know about at the time of sale.

MILLER MAKES NO WARRANTY, EXPRESS OR IMPLIED, AS TO THE FINISHED PRODUCTS MANUFACTURED OR SUPPLIED BY ANOTHER MANUFACTURER AND SUPPLIED BY MILLER TO PURCHASER, including, but not limited to, any vehicle to which a MILLER product may be affixed or any accessories or wire rope, and MILLER EXPRESSLY DISCLAIMS ANY IMPLIED WARRANTIES OF MERCHANTABILITY OR FITNESS FOR A PARTICULAR PURPOSE AS TO SUCH EQUIPMENT OR PRODUCTS. This language shall in no way affect or diminish the rights of the purchaser to rely on such warranties as are extended by such manufacturers or suppliers. MILLER shall, to the extent permitted under applicable law, pass on to the purchaser such manufacturer's or seller's warranty.

MILLER, whose policy is one of continuous improvement, reserves the right to improve its products through changes in design or materials as it may deem desirable without being obligated to incorporate such changes in products previously sold. This warranty is not intended to cover or include the following items, which are set forth by way of example and not limitation:

- A. Normal deterioration of trim, paint, lettering, and appearance items due to wear or exposure to weather, road conditions, road treatments, etc.
- B. Any damage or defect due to accident, misuse, abuse, improper or unauthorized repairs, failure to provide reasonable and necessary maintenance, or uses for which the equipment was not designed or intended.
- C. Alterations or modifications that affect performance, operation or reliability.
- D. Normal maintenance parts including, but not limited to, wear pads, bushings, wire rope, mud flaps, fenderettes, light bulbs, hydraulic oil, filters, and tow sling belts.

IT IS EXPRESSLY UNDERSTOOD THAT MILLER MAKES NO IMPLIED WARRANTY THAT MILLER PRODUCTS SHALL BE FIT FOR THE PURPOSE OF LIFTING OR MOVING PEOPLE OR FOR ANY OTHER IMPROPER USE.



Miller Industries Towing Equipment Inc.
8503 Hilltop Drive
Ooltewah, Tennessee 37363
Telephone (423) 238-4171

SERIAL NUMBER

OWNER, USER AND OPERATOR:

We appreciate your choice of our towing and recovery unit for your application. Our number one priority is user safety which is best achieved by our joint efforts. We feel that you can make a major contribution to safety if you, as the equipment owner and operator:

1. **Comply with Federal, State, and Local Regulations.**
2. **Read, Understand, and Follow the Instructions in this Manual.**
3. **Use Good, Safe Work Practices in a Common Sense Way.**
4. **Only have Authorized and Trained Personnel performing maintenance on the Towing and Recovery Unit.**

TABLE OF CONTENTS

It is assumed by the manufacturer that the Owner/Operator has a thorough knowledge of the accepted and lawful retrieval and towing methods as dictated by his city, county or state. The manufacturer rejects any liability claim that may result from the incorrect or unlawful application of its equipment.

Section I - PARTS

SUBFRAME ASSEMBLY	I-2 & I-3
BOOM ASSEMBLY	I-4 & I-5
UNDERLIFT ASSEMBLY	I-6 & I-7
DTU TOWER & UNDERLIFT HYDRAULICS	I-8 & I-9
PUMP, VALVE & FILTER HYDRAULICS	I-10 & I-11
OPTIONAL WINCH HYDRAULICS & AIR FREE SPOOL	I-12 & I-13

Section VI - PARTS

This Section is provided by the manufacturer for the purpose of ordering any component part of the **HOLMES DTU** that may be required when part replacement is necessary. Be certain to use only original equipment replacement parts for warranty purposes as well as for keeping your unit in its original state and optimum operating capacities.

When ordering replacement or spare parts be sure to provide the following information to the manufacturer's **Parts Department**.

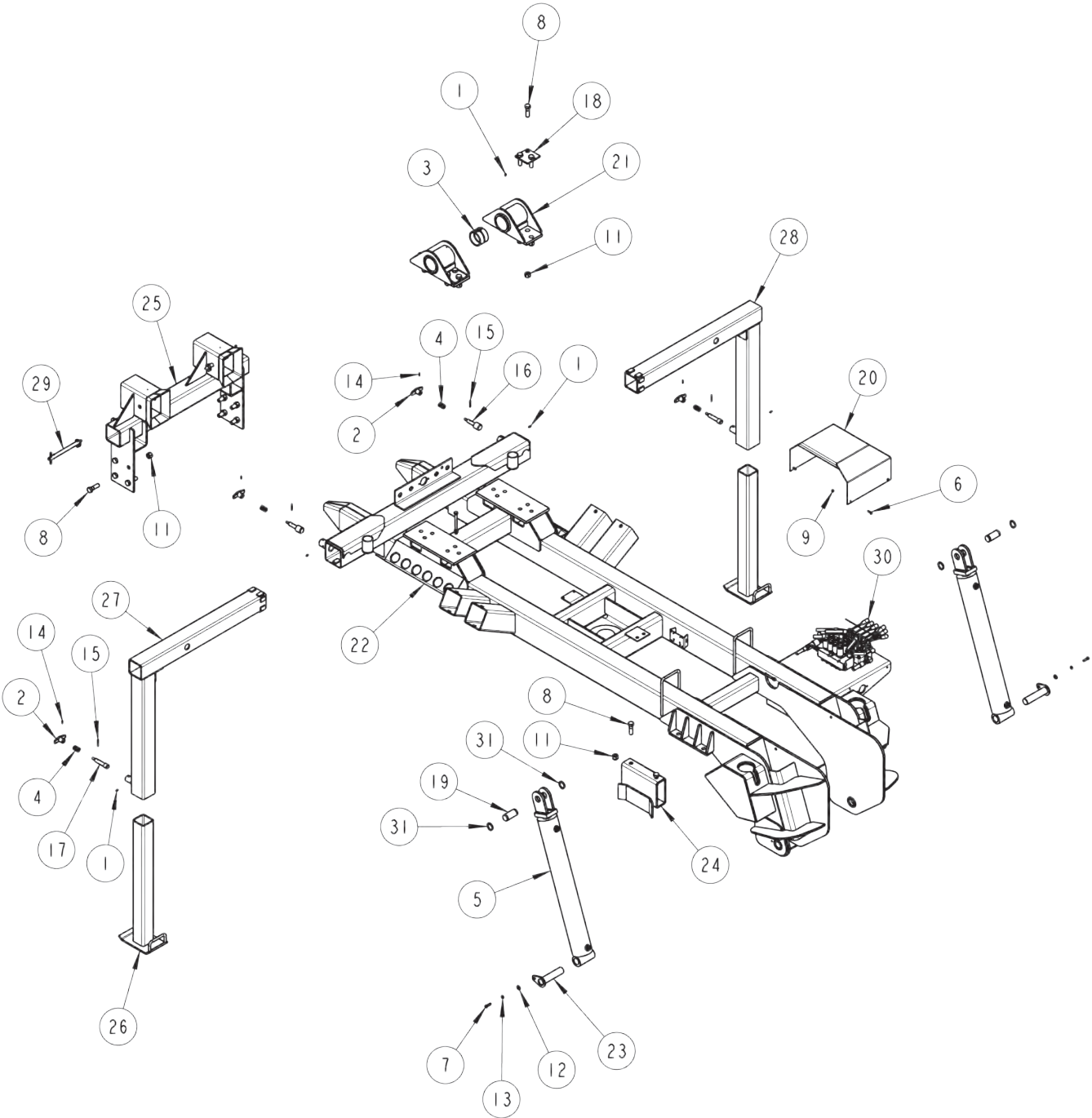
1. **Manual Number & Date of Publication**
2. **Manual Page Number**
3. **Page Title**
4. **Reference Number of Part Desired**
5. **Part Number**
6. **Part Description**
7. **Quantity of Part Desired**

Providing this information will help ensure that the correct parts will be delivered to you in an expedient manner without delay. Should additional information be required for repair or replacement of certain components, contact your Wrecker Manufacturer Authorized Representative.

The Manufacturer reserves the right, without notice or obligation, to improve or modify their products, which may change the specifications, models and feature availability.

Section I - PARTS (cont'd)

SUBFRAME ASSEMBLY



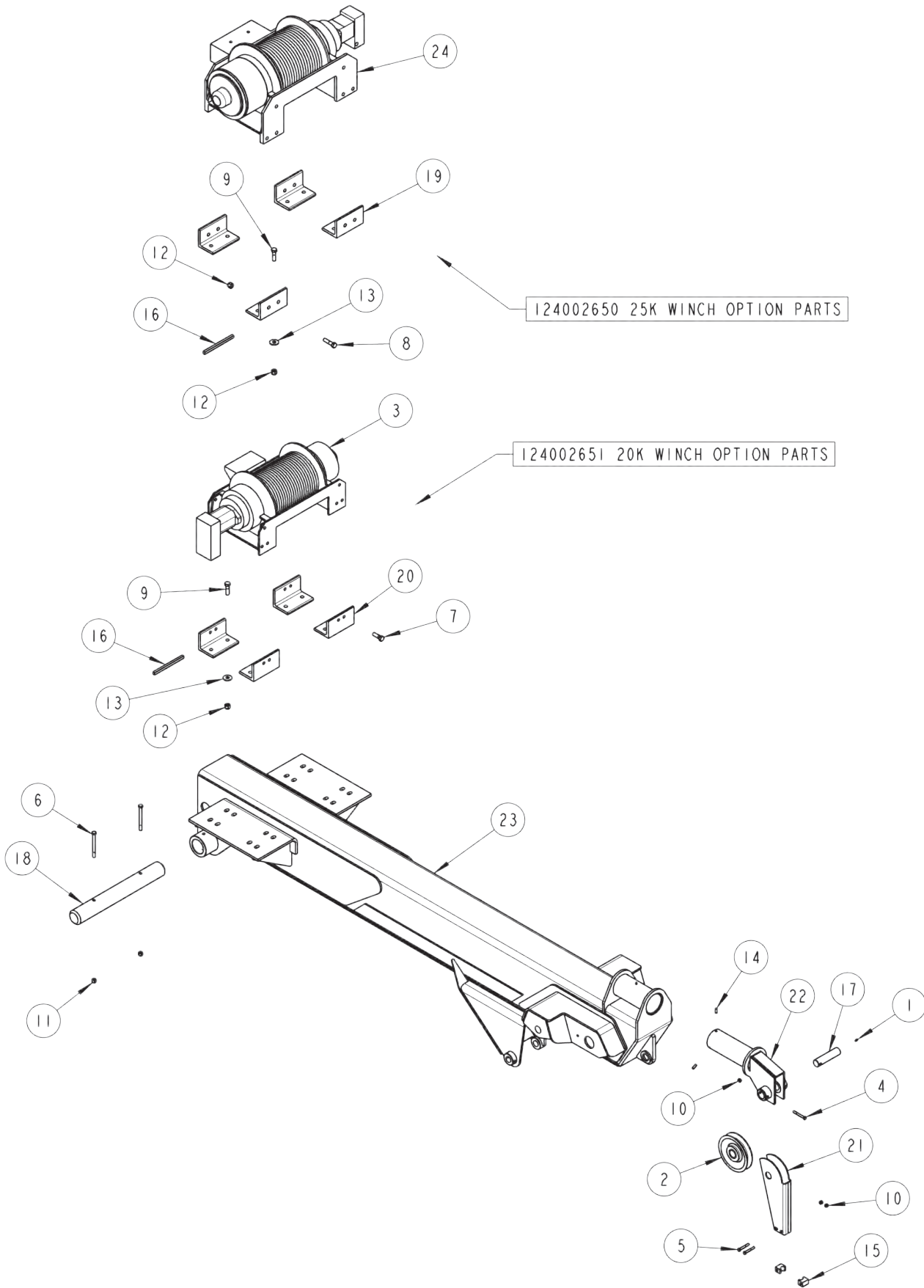
Section I - PARTS (cont'd)

SUBFRAME ASSEMBLY

BILL OF MATERIAL			
ITEM	PART NO	DESCRIPTION	QTY
1	0300113	GREASE FITTING, 1/4-28 STRAIGHT	8
2	0300331	PLUNGER HANDLE	4
3	0302538	SPRING BUSHING, 3.50D X 3ID X 2.5	2
4	0304653	SPRING - HEAVY DUTY CAMLOCK	4
5	0307473	LIFT CYLINDER - QUICK LIFT	2
6	0400070	1/4-20 x 1 HHCS GR5 ZP	4
7	0400122	3/8-16 X 1 1/4 HHCS GR.5, ZP	2
8	0400288	3/4-10 x 2-1/2 HHCS GR.8 GOLD	21
9	0400367	1/4-20 NYLOCK HEX NUT ZP	4
10	0400408	1/2-13 NYLOCK HEX NUT ZP	1
11	0400431	3/4-10 NYLOCK HEX NUT GR.8, ZP	24
12	0400480	3/8 FLAT WASHER ZP	3
13	0400482	3/8 HELICAL LOCK WASHER ZP	2
14	0400561	5/32 x 3/4 ROLL PIN ZP	4
15	0400563	3/16 x 1-3/4 ROLL PIN ZP	4
16	0700526	PLUNGER PIN	2
17	0705046	PLUNGER PIN	2
18	0714581	PLATE - BOLTING	3
19	0718048	PIN-LOWER TILT CYLINDER	2
20	0723571	VALVE COVER	1
21	0804405	BOOM PIVOT BRKT	2
22	0806788	SUBFRAME WELDMENT	1
23	0806796	PIN WELDMENT	2
24	0806797	REAR SUPPORT WLMT	2
25	0806798	FRONT LOCKDOWN WLMT	1
26	0806811	INNER VERT. LEG WLMT	2
27	0807041	STABILIZER LEG WLMT (LH)	1
28	0807042	STABILIZER LEG WLMT (RH)	1
29	0902947	PIN- RETAINER ASSY	2
30	0910765	VALVE ASSY - 12V WALVOIL	1
31	9056150	RETAINING RING, 1-1/2"	4

Section I - PARTS (cont'd)

BOOM ASSEMBLY



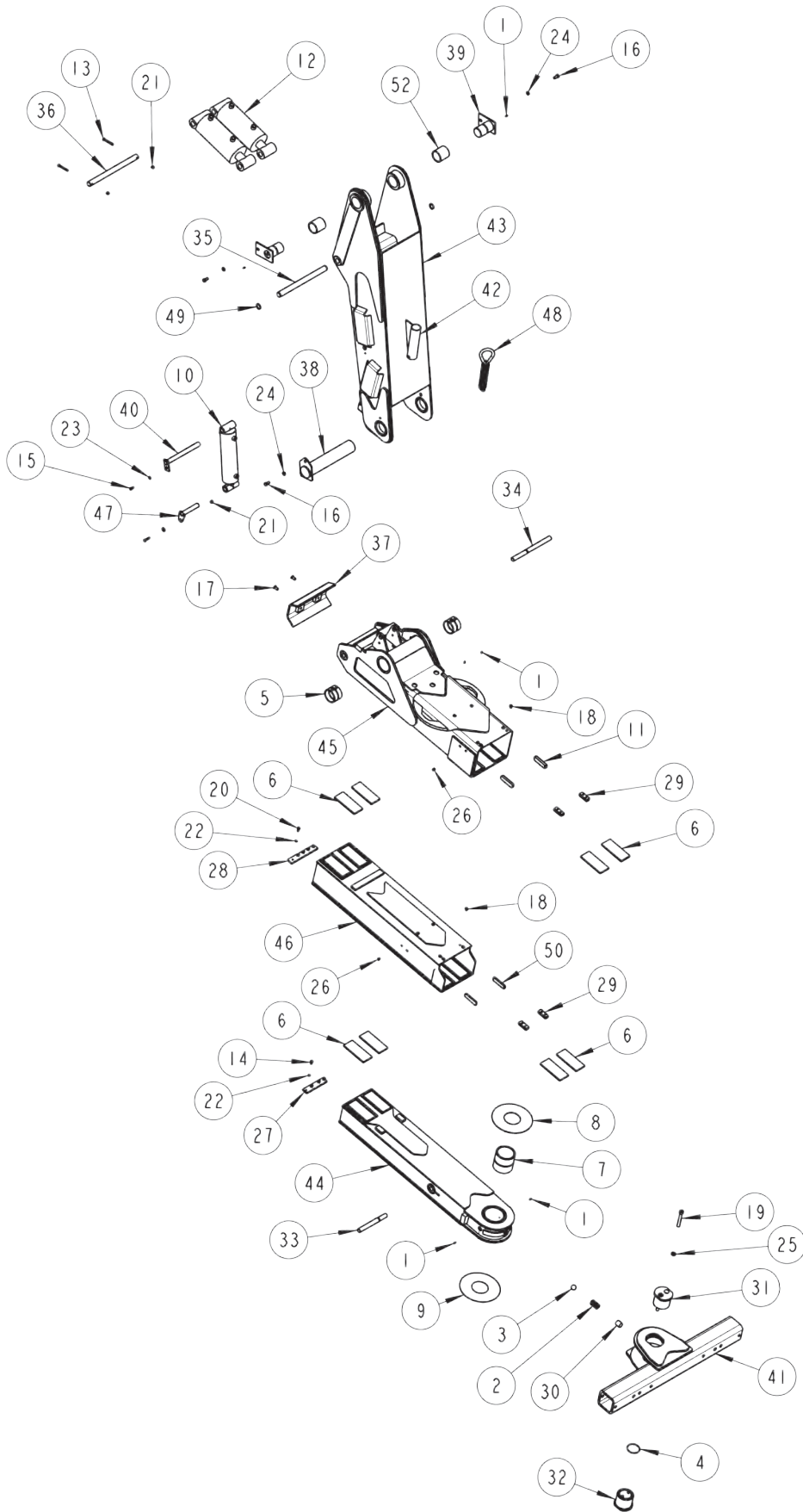
Section I - PARTS (cont'd)

BOOM ASSEMBLY

BILL OF MATERIAL			
ITEM	PART NO	DESCRIPTION	QTY
1	0300113	GREASE FITTING, 1/4-28 STRAIGHT	2
2	0300626	SHEAVE - 8"	1
3	0303374	WINCH - dp 20K	1
4	0400133	3/8-16 X 3 HHCS GR.5,ZP	1
5	0400150	3/8-16 x 2-1/2 HHCS GR5 ZP	2
6	0400220	1/2-13 x 5-1/2 HHCS GR5 ZP	2
7	0400260	5/8-11 x 2 HHCS GR5 ZP	8
8	0400262	5/8-11 X 2 1/2 HHCS GR.8,ZP	2
9	0400264	5/8-11 x 2-1/4 HHCS GR5 ZP	10
10	0400392	3/8-16 NYLOCK HEX NUT ZP	3
11	0400408	1/2-13 NYLOCK HEX NUT ZP	2
12	0400426	5/8-11 NYLOCK NUT GR.8 ZP	19
13	0400506	5/8 FLAT WASHER USS	9
14	0400554	3/8 x 1 ROLL PIM ZP	3
15	0700801	BOTTOM CABLE GUIDE	2
16	0713131	SHEAR BLOCK	8
17	0716134	SHEAVE SHAFT	1
18	0718043	PIN - BOOM PIVOT	1
19	0718045	ANGLE - WINCH MOUNTING	4
20	0718076	ANGLE - WINCH MTG	4
21	0800286	CABLE GUIDE WELDMENT	1
22	0804448	BOOM END SWIVEL WELDMENT	1
23	0806792	OUTER BOOM WLMT - 5130/5230	1
24	9048241	WINCH DP 25K	1

Section I - PARTS (cont'd)

UNDERLIFT ASSEMBLY



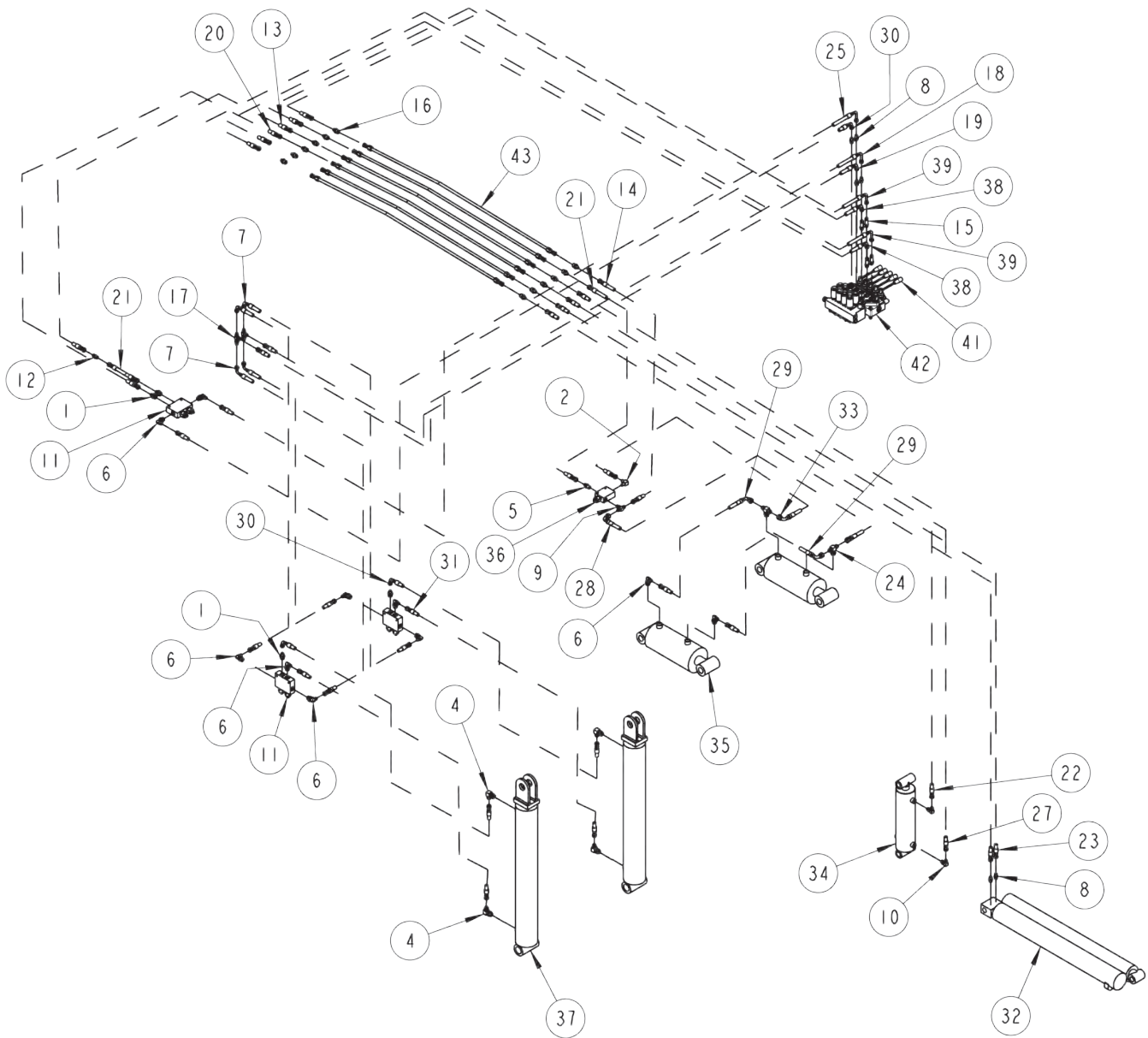
Section I - PARTS (cont'd)

UNDERLIFT ASSEMBLY

BILL OF MATERIAL			
ITEM	PART NO	DESCRIPTION	QTY
1	0300113	GREASE FITTING, 1/4-28 STRAIGHT	12
2	0301197	DETENT SPRING	1
3	0301398	DETENT BALL	1
4	0301822	O-RING, PIVOT PIN	1
5	0302538	SPRING BUSHING, 3.50D X 3ID X 2.5	2
6	0302561	SLIDE PAD	8
7	0303088	BUSHING, PIVOT PIN	1
8	0303097	THRUST WASHER, 1/8" THICK	1
9	0303098	THRUST WASHER, 1/16" THICK	1
10	0306746	CYLINDER, HYD LIFT	1
11	0307013	PAD - WEAR	2
12	0307040	CYL - U/L TILT	2
13	0400133	3/8-16 X 3 HHCS GR.5,ZP	2
14	0400147	3/8-24x 5/8 HHCS GR5 ZP	4
15	0400151	3/8-24 x 3/4 HHCS GR5 ZP	1
16	0400176	1/2-13 X 1 HHCS GR.5,ZP	3
17	0400194	1/2-13 x 1 FLAT HEAD SOCKET CAP SCR	2
18	0400228	SCREW, 3/8"-24 X 5/8" BUTTON HEAD SKT	8
19	0400271	SCREW, 5/8"-11 X 4-1/2" SKT HD CAP	2
20	0400347	3/8-24 x 7/8 HHCS GR5 ZP	5
21	0400392	3/8-16 NYLOCK HEX NUT ZP	5
22	0400481	LOCKWASHER, 3/8" EXT TOOTH	9
23	0400482	3/8 HELICAL LOCK WASHER ZP	1
24	0400491	1/2 HELICAL LOCK WASHER ZP	3
25	0400508	5/8 HELICAL LOCK WASHER ZP	2
26	0400990	1/2-13 x 1/2 SKT HD SET SCREW ZP	8
27	0706996	SPACER PAD	1
28	0707028	PAD, BEARING	1
29	0707034	STOP PLATE	4
30	0708470	SPACER - DETENT BALL	1
31	0710051	PIVOT PIN, TOP HALF	1
32	0710052	PIVOT PIN, BOTTOM HALF	1
33	0716745	EXTEND CYLINDER SHAFT	1
34	0716746	EXTEND CYLINDER SHAFT	1
35	0716870	SHAFT	1
36	0718044	PIN - TILT CYL. BASE	1
37	0718130	SKID PLATE	1
38	0802214	PIN-UNDERLIFT PIVOT	1
39	0802365	PIN-TOWER PIVOT WLMT	2
40	0802459	PIN-FOLD CYL. WLDMT	1
41	0802914	CROSSBAR WELDMENT	1
42	0804483	CABLE TIE BACK WLMT	1
43	0805884	TOWER WLMT	1
44	0805885	3rd STAGE BOOM WLMT	1
45	0805894	OUTER U/L BOOM WLMT	1
46	0805895	2nd STAGE U/L BOOM WLMT	1
47	0806756	PIN WLMT - FOLD CYL	1
48	0906572	KIT - WINCH CABLE STOW	1
49	9056125	RETAINING RING, 1-1/4" NOM HEAVY DUTY	2
50	BK2003	PAD-WEAR	2
51	OM_0303331	TBD	1
52	RB0205	SPLIT BUSHING	2

Section I - PARTS (cont'd)

DTU TOWER & UNDERLIFT HYDRAULICS



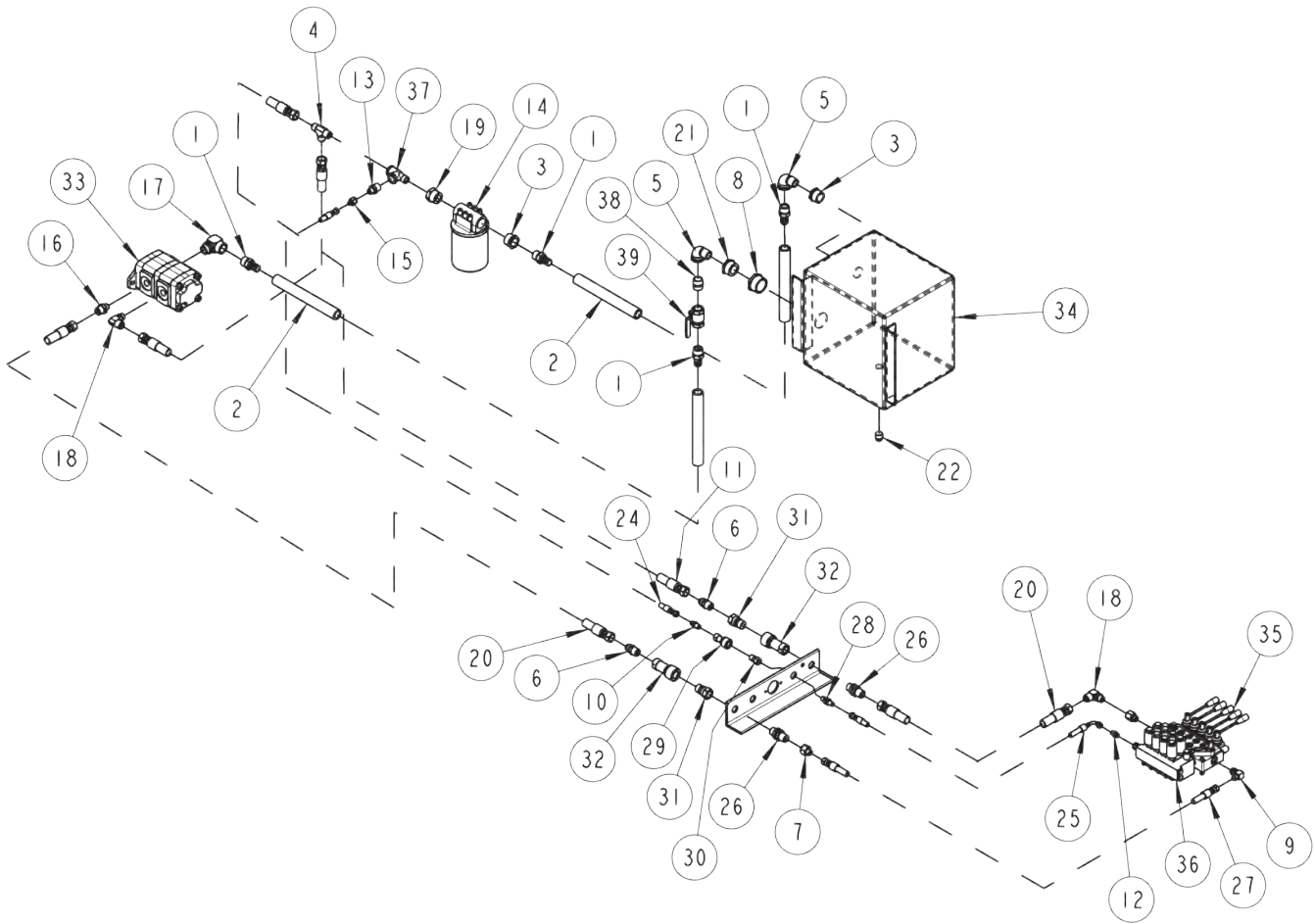
Section I - PARTS (cont'd)

DTU TOWER & UNDERLIFT HYDRAULICS

BILL OF MATERIAL			
ITEM	PART NO	DESCRIPTION	QTY
1	0300044	CONNECTOR 6MJx8MB	4
2	0300142	ELBOW, 6MJ-4MP90	1
3	0300387	PLUG - 1/2 SAE O-RING	1
4	0301388	ELBOW, 8MJ-8MB90	5
5	0301425	CONNECTOR, 6MJ-6MP	1
6	0301470	ELBOW, 6MJ-8MB90	10
7	0301473	HOSE ASSEMBLY, 32"	4
8	0301522	CONNECTOR 6MJ-6MB	7
9	0301619	BRANCH TEE, 6MJ-6MJ-6MB	1
10	0301620	FITTING, ELBOW, 6MJ-6MB90	2
11	0301730	DOUBLE HOLDING VALVE	3
12	0301837	INLINE ORIFICE	1
13	0302000	HOSE ASSY - 24" LG	1
14	0302035	6FJX-6M3K-6FJX x 24" LG.	1
15	0302510	CONNECTOR, 6MJ-6MBL	4
16	0302514	ADAPTER, 8MJ-6MJ	12
17	0302575	BULKHEAD RUN TEE, 6MJ-6BLKHD-6MJ W/NU	2
18	0302585	HOSE ASSY - 54" LG	1
19	0302586	HOSE ASSEMBLY, 32"	1
20	0302596	HOSE ASSY - 34" LG	1
21	0302805	HOSE ASSY - 10"	2
22	0302812	HOSE ASSY - 78" LG.	1
23	0302813	HOSE ASSY - 108" LG	2
24	0302842	ELBOW, 8MJ-8MB90	2
25	0302883	HOSE ASSY - 79" LG.	1
26	0302901	HOSE - HYD ASSY 120" LG	1
27	0302911	HOSE ASSY - 88" LG.	1
28	0302914	8G 8FJX 90S	1
29	0302915	8G 8FJX 90S	2
30	0303170	HOSE ASSY - 75" LG.	3
31	0303188	6G 6FJX 90S	2
32	0303331	CYLINDER - U/L EXTEND	1
33	0303561	8G 8FJX 90S	1
34	0306746	CYLINDER, HYD LIFT	1
35	0307040	CYL - U/L TILT	2
36	0307107	VALVE HOLDING 4000 PSI SAE	1
37	0307473	LIFT CYLINDER - QUICK LIFT	2
38	0307524	HOSE ASSEMBLY, 32"	2
39	0307525	HOSE ASSY - 120" LG	2
40	0307569	HOSE ASSY - 130" LG	1
41	0310398	HANDLE - DIVERTER VALVE	7
42	0310844	VALVE - 5-SPOOL 12V WALVOIL DTU	1
43	916760001	HYDRAULIC TUBE ASSY	6

Section I - PARTS (cont'd)

PUMP, VALVE & FILTER HYDRAULICS



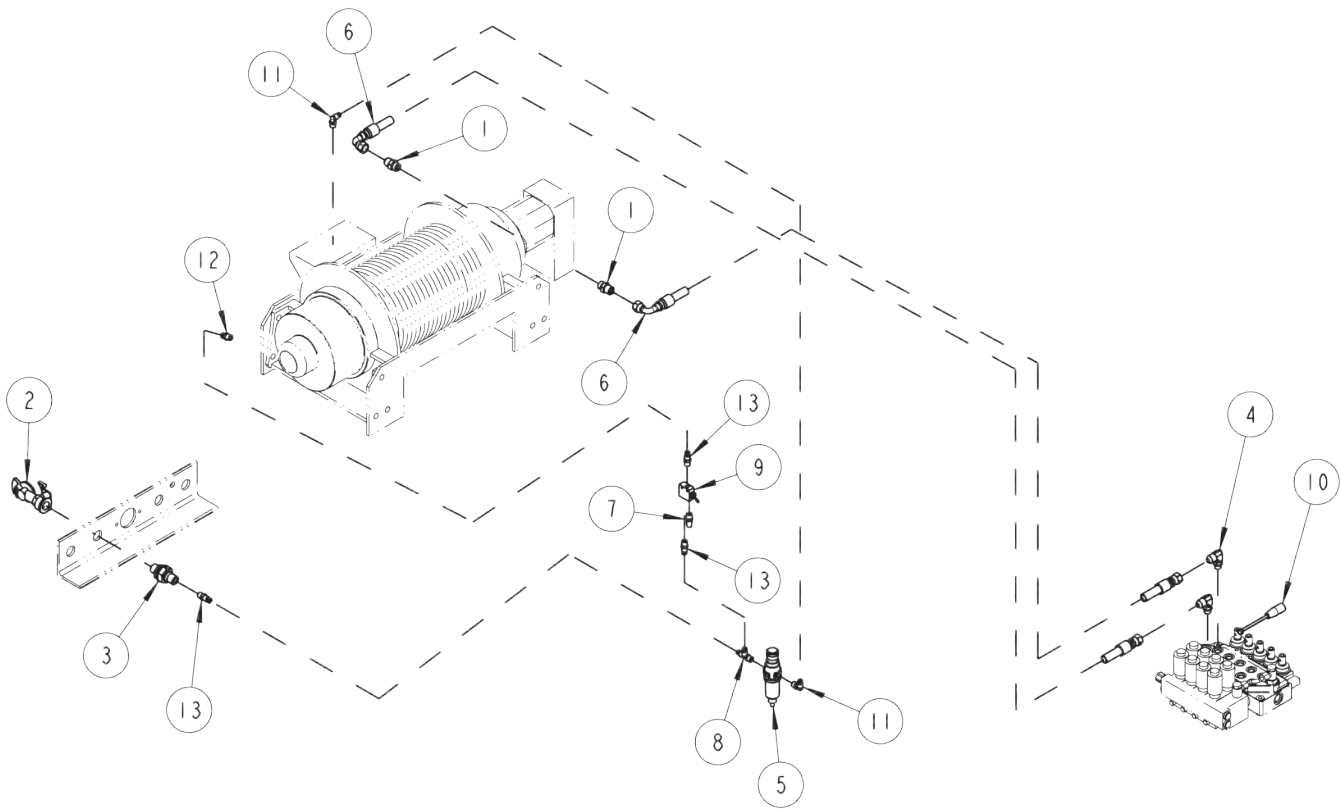
Section I - PARTS (cont'd)

PUMP, VALVE & FILTER HYDRAULICS

BILL OF MATERIAL			
ITEM	PART NO	DESCRIPTION	QTY
1	0300056	BARB, 16C4-16MP	4
2	0300058	SUCTION HOSE, 1" I.D. 16C4	4
3	0300287	PIPE BUSHING, 1 1/4" TO 1" NPT REDUCER	2
4	0300553	TEE - 12 MJ-12MP-12MJ	1
5	0300692	STREET ELBOW, 1" 90°	2
6	0301092	ADAPTER - 12MJ-12MP	2
7	0301372	ADAPTER, 12FJ-6MJ	1
8	0301373	BUSHING, 2MP-1-1/2FP	1
9	0301388	ELBOW, 8MJ-8MB90	1
10	0301425	CONNECTOR, 6MJ-6MP	1
11	0301438	HOSE ASSY - 81" LG.	1
12	0301522	CONNECTOR 6MJ-6MB	5
13	0301881	CONNECTOR 8MJx8MB	1
14	0301894	FILTER ASSEMBLY, SPIN ON	1
15	0301995	ADAPTER, 8FJ-6MJ STRAIGHT	1
16	0302082	FITTING 12MJ-10MB	1
17	0302084	ELBOW, 16MB-16FB90	1
18	0302085	FITTING 12MJ-10MB90	2
19	0302106	REDUCER BUSHING - 20MP-12FP	1
20	0302901	HOSE - HYD ASSY 120" LG	3
21	0302953	BUSHING, 1-1/2MP-1FP	1
22	0303155	PIPE PLUG - 3/4 NPT (MAGNETIC)	1
23	0303170	HOSE ASSY - 75" LG.	1
24	0303188	6G 6FJX 90S	1
25	0303748	HOSE ASSEMBLY, 32"	1
26	0307527	BULKHEAD - 12MJ-12MP (w/NUTS)	2
27	0307569	HOSE ASSY - 130" LG	1
28	0307593	BULKHEAD ADAPTER 6MJ-6MP-BLKHD	1
29	0307594	QUICK DISCONNECT - FEMALE	1
30	0307595	QUICK CONNECT - MALE	1
31	0308138	QUICK CONNECT - MALE	2
32	0308139	QUICK DISCONNECT - FEMALE	2
33	0308169	PUMP, BI-ROTATIONAL TSPKS-13-13-2BSSB	1
34	0308246	OIL TANK - 15 GAL. WLA4150	1
35	0310398	HANDLE - DIVERTER VALVE	7
36	0310844	VALVE - 5-SPOOL 12V WALVOIL DTU	1
37	9012945	3/4 NPT STREET TEE	1
38	HC1335	PIPE NIPPLE 1" CLOSED THREAD	1
39	HC1338	BALL VALVE, 1" BRASS	1

Section I - PARTS (cont'd)

DTU WINCH HYDRAULICS & AIR FREE SPOOL



BILL OF MATERIAL			
ITEM	PART NO	DESCRIPTION	QTY
1	0300041	CONNECTOR 8MJx8MB	2
2	0301944	GLAD HAND COUPLING	1
3	0301946	FITTING - BULKHEAD CONNECTOR	1
4	0302276	ELBOW, 8MJ-6MB90	2
5	0303363	AIR FILTER / REGULATOR COMBO	1
6	0303391	HOSE ASSY - 110"	2
7	0303735	BREATHER VENT- 1/4MP	2
8	0306983	FITTING - BRASS RUNTEE 1/4T-1/4MPX	1
9	0307510	AIR SWITCH - 3 WAY TOGGLE	2
10	0310398	HANDLE - DIVERTER VALVE	7
11	9010520	FITTING, BRASS ELB. 1/4T-1/4MP	2
12	9011053	Nipple-1/4 x 1/4 NPT	1
13	9012538	BREATHER VENT- 1/4MP	5



Miller Industries Towing Equipment Inc.
8503 Hilltop Drive • Ooltewah, Tennessee 37363 • (423) 238-4171
www.millerind.com