

SEED 1200 LED

- designed to exceed everyday demands in all applications
- stringent engineering and testing practices
- highest efficiency and durability in the harshest conditions



ABL

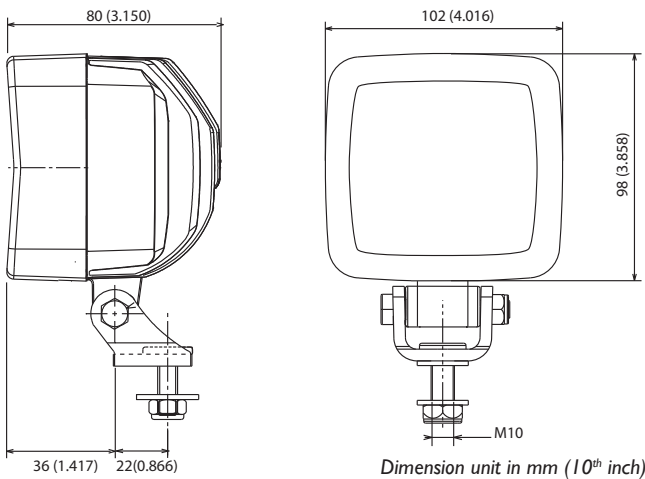
OE Approved
Heavy Duty Lighting Product



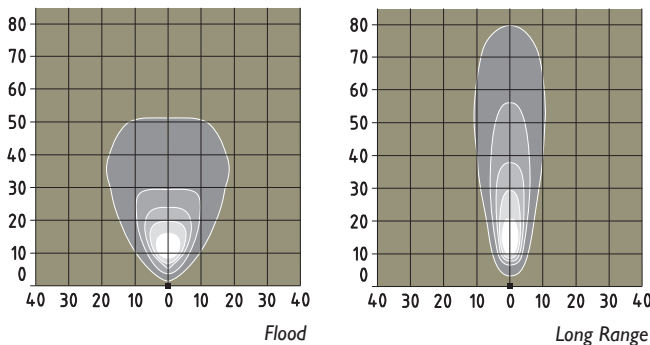
SHD 1200 LED

The SHD 1200 LED series work lights are designed to exceed everyday demands in all applications. Through stringent engineering and testing practices, we ensure the highest efficiency and durability in even the harshest operating conditions.

Dimensions



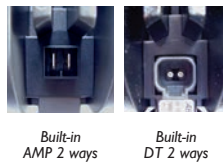
Light Patterns



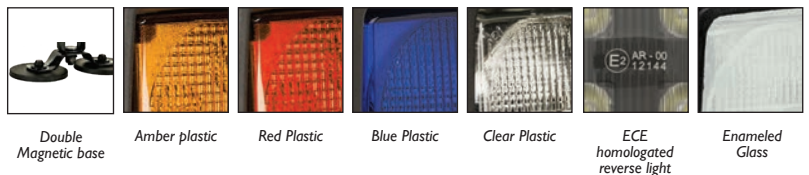
Specifications

Bulb	5 LED - 1200 Lumen
Lifetime	20 000 hours
Color temperature	6000K
Light pattern	Flood, Long Range
Consumption	20W
Voltage	Multi 12-100V
Intensity	0,82 Amp @ 24V
Weight	0,9 Kg
Vibration resistance	15 Grms from 24 to 2000Hz
Shock resistance	60 G
EMC	ISO 13 766 - ISO 14 982 - ISO 12 895
Load Dump	130V continuous 200V 100 ms 1800V 50 µs
Polarity	no polarity
Electronic Thermal Management	full output @ +35°C ambient 20% dimmed @ +50°C ambient
Water Tightness	IP 68 - IP 69K
Operating Temp	-40°C to +85°C
Salt Spray	ISO 9227
Lens	hardened glass
Reflector	multi lens system
Warranty	20 000 operating hours or 4 years

Connection



Options



Options



Mounting

