

# STANDARD DUTY CARRIER PARTS MANUAL

# ***JERR-DAN***<sup>®</sup>

An Oshkosh Corporation Company

13224 Fountainhead Plaza  
Hagerstown, MD 21742  
Phone (717) 597-7111  
[www.jerr-dan.com](http://www.jerr-dan.com)

5-376-000089  
Rev 08 - March 1, 2014

© 2014 Jerr-Dan Corporation. All Rights Reserved



This manual covers the following Jerr-Dan Models:

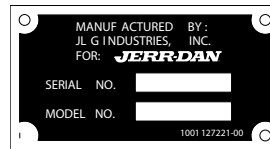
NGAF	- 6 Ton Aluminum Pioneer Fixed Rail	NGAT	- 6 Ton Aluminum Pioneer Transporter
NGADF	- 6 Ton Aluminum Pioneer Dual Angle Fixed Rail	WSRB	- 6 Ton Steel Rustler
NGAR	- 6 Ton Aluminum Pioneer Removable Rail	RRSB	- 6 Ton Steel Removable Rail B.I.C.
NGAT	- 6 Ton Aluminum Pioneer Transporter	SLPB	- 6 Ton Steel Shark

Jerr-Dan Corporation strives to provide information that is accurate, complete and useful. Descriptions and illustrative material contained within this manual are as accurate as known at the time of publication and are subject to change, without notice, as a result of continuous product improvements. Jerr-Dan reserves the right to amend the information in this document at any time without prior notice.

Information contained in this manual reflects how this vehicle was built at the factory. Modifications or additions by the distributor or owner are not reflected in this manual.

This parts manual does not include service parts information for the commercial chassis (IHC, Ford, GMC, etc.). That information is provided by the chassis manufacturer.

When ordering parts, please refer to your unit's Serial Number and Model Number. This information is be found on the aluminum tag riveted to the front left corner of the deck as shown below.



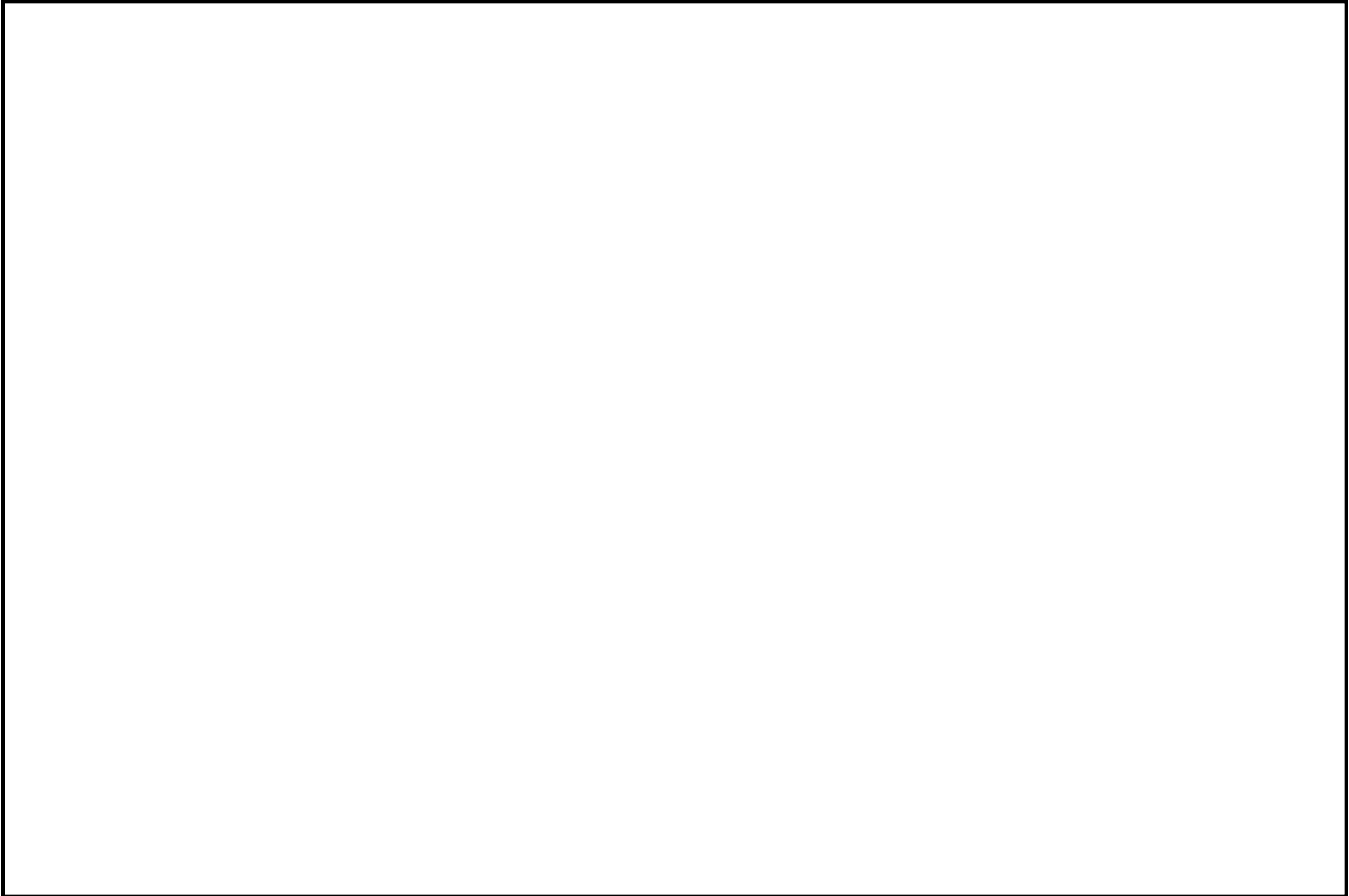
Additional or replacement manuals can be ordered by calling Jerr-Dan Parts at 717-597-7111. Price and availability will be quoted at time of the request.

Please report comments and/or errors by contacting Jerr-Dan Corporation's Technical Publications Department by e-mail at [technicalpublications@jerr-dan.com](mailto:technicalpublications@jerr-dan.com) or by FAX on 717-485-7162.

Manufactured under one or more of the following patents: 5,133,633; 5,575,606; 5,697,741; 5,951,235; 6,231,294 B1; 6,315,515 B1; 6,336,783 B1; 6,447,239 B2; and 7,264,305 B2 with other Patents Pending.

Jerr-Dan and the Jerr-Dan logo are registered trademarks and Run Hard is a service mark of Jerr-Dan Corporation, Greencastle, PA USA.

The material in this document is confidential and the property of Jerr-Dan Corporation. No part of this document may be photocopied, reproduced or translated to another language without the express written consent of Jerr-Dan Corporation.





## TABLE OF CONTENTS

Deck - 6 Ton Aluminum Fixed Rail (NGAF).....	8	Dodge Ram 5500 Brake Cable Rework.....	94
Deck - 6 Ton Aluminum Dual Angle Fixed Rail (NGADF).....	10	Dodge Ram 5500 Fuel Tank Hose Install.....	96
Deck - 6 Ton Aluminum Removable Rail (NGAR).....	12	Isuzu NRR Frame Reinforcement -176" WB.....	98
Deck - 6 Ton Aluminum Transporter (NGAT).....	14	Isuzu NRR Frame Reinforcement -150" WB.....	100
Deck - 6 Ton Steel Rustler (WSRB).....	16	Hydraulic Reservoir And Toolbox / Basket.....	104
Deck - 6 Ton Steel Removable Rail (RRSB).....	18	Toolbox.....	110
Deck - 6 Ton Steel Shark (SLPB).....	20	Toolbox Shelf.....	112
Deck - 6 Ton Steel Transporter (STRB).....	22	Toolbox Light.....	114
Steel Bolt-In Keyslots.....	24	Toolbox Top Storage Tray And Marker Lights.....	116
Standard Bolt-On Headboard.....	26	Toolbox Top Storage Tray And Marker Lights w/Underbox Mount.....	118
Deluxe Bolt-On Headboard.....	28	24" Tunnel Toolbox Installation.....	120
Bucket Rest Headboard.....	30	Dual Controls - 3 Bank.....	124
Stationary Headboard.....	32	Dual Controls - 4 Bank.....	126
Worm Gear Winch.....	34	Dual Controls - 5 Bank.....	128
Planetary Gear Winch.....	36	Dual Controls - 6 Bank.....	130
Worm Gear Winch Cable Roller Guide / Tensioner Plate.....	38	Dual Controls - 7 Bank.....	132
Planetary Gear Winch Cable Roller Guide / Tensioner Plate.....	40	Hydraulic Components - Standard.....	134
Planetary Gear Winch Cable Roller Guide / Tensioner Plate.....	42	Hydraulic Components - Standard.....	136
Planetary Gear Winch Cable Roller Guide / Tensioner Plate.....	44	Hydraulic Components - Hose Routing (Std IHC).....	138
Planetary Gear Winch Cable Roller Guide / Tensioner Plate.....	46	Hydraulic Components - Hose Routing (Std Cab IHC 144CA).....	140
Manual Remote Free Spool - Bolt-On Headboard.....	48	Hydraulic Components - Hose Routing (EXT Cab IHC 150CA).....	142
Dual Manual Remote Free Spool - Bolt-On Headboard.....	50	Hydraulic Components - Hose Routing (Ford STD Cab).....	144
Manual Remote Free Spool - Stationary Headboard.....	52	Hydraulic Components - Hose Routing (Ford Ext Cab 150CA).....	146
Dual Manual Remote Free Spool - Stationary Headboard.....	54	Hydraulic Components - Hose Routing (Hino).....	148
Manual Remote Air Free Spool.....	56	Hydraulic Components - Hose Routing (Freightliner).....	150
Subframe (Outboard Tilt Cylinders).....	60	Hydraulic Components - Hose Routing (Peterbilt).....	152
Subframe (Inboard Tilt Cylinders).....	64	Hydraulic Components - Hose Routing (Chevy/GMC).....	154
Subframe (High Dump Tilt Cylinders).....	68	Hydraulic Components - Hose Routing (Dodge).....	156
Slide Pads.....	72	Hydraulic Components - Hose Routing (Std UD).....	158
Mud Flaps.....	74	Hydraulic Components - IRL Wheel lift With Manual Grids.....	160
Mud Flaps - Ford F550 & Dodge Ram 5500.....	76	Hydraulic Components - IRL Wheel lift With Hydraulic Grids.....	162
Final Assembly.....	78	Hydraulic Components - ZOD Wheel lift With Manual Grids.....	164
Final Assembly.....	80	Hydraulic Components - ZOD Wheel lift With Hydraulic Grids.....	166
Ford F550 Frame Reinforcement and Spring Spacers.....	82	Hydraulic Components - Stabilizer w/ Reese Rec Or Pintle Hitch.....	168
Ford F550 Subframe Modifications.....	84	Hydraulic Components - Stabilizer w/ Hyd Pintle Hitch Mtg Plate.....	170
GMC C4500/5500 Subframe Modifications.....	86	Hydraulic Components - IRL Tow Option.....	172
GMC C4500/5500 Brake Cable Rework & Rear Fuel Tank Mod.....	88	Hydraulic Components - Hydraulic Extend Tow Option.....	174
Dodge Ram 5500 Frame Reinforcement.....	90	Electrical Components - Standard w/ Bolt-On Headboard.....	176
Dodge Ram 5500 Frame Reinforcement 2013 & Newer.....	92	Electrical Components - Standard w/ Stationary Headboard.....	178

**TABLE OF CONTENTS**

Deck Marker Lights.....	180	Switch Panels.....	262
R.A.I.L. Marker Lights.....	182	Work Lights.....	264
Headboard Side Marker Lights.....	184	Bolt-On D-Rings.....	266
Electrical Components - Optional (Tail Light Converter).....	186	Approach Tip Roller.....	268
IRL Wheel Lift - Manual Grids.....	188	1, 2, 3, 4 or 5 Remote Control Operations.....	270
IRL Wheel Lift - Hydraulic Grids.....	190	6 or 7 Remote Control Operations.....	272
ZOD Wheel Lift - Manual Grids.....	192	Remote Throttle Control.....	274
ZOD Wheel Lift - Hydraulic Grids.....	194	Glad Hands And 7-Way Connector.....	276
Manual L-Arm Wheel Lift Grid w/ Ball Plate.....	196	Air Supply Disconnect.....	278
Manual L-Arm Wheel Lift Grid w/ Reese Reciever.....	198	Jump Start Kit.....	280
Manual L-Arm Wheel Lift Grid w/ Pintle Plate.....	200	Folding Deck Ladder.....	282
Manual T37 Pivoting Wheel Lift Grid w/ Ball Plate.....	202	Chains And Straps.....	284
Manual T37 Pivoting Wheel Lift Grid w/ Reese Reciever.....	204	Towing Safety Tools.....	286
Hydraulic Wheel Lift Grid.....	206	Decals.....	288
Hydraulic Rear Dock Stabilizer.....	212	Winch - 8K Planetary Gear w/Manual Freespool - 7970000056.....	290
Hydraulic Rear Dock Stabilizer w/ Reese Hitch Receiver.....	214	Winch - 8K Worm Gear w/ Manual Freespool - 7970000121.....	292
Hydraulic Rear Dock Stabilizer w/ Hyd Ext Pintle Hitch Mtg Plate.....	216	Winch -10K Worm Gear w/ Manual Freespool - 7970000123.....	294
Hydraulic Rear Dock Stabilizer w/ Man Ext Pintle Hitch Mtg Plate.....	218	Winch -10K Worm Gear w/ Air Freespool - 7970000140.....	296
Ball Hitch Mounting Plate - IRL.....	220	Winch - 8K Worm Gear w/ Air Freespool - 7970000142.....	298
Ball Hitch Mounting Plate - Hydraulic Extend.....	222	Winch -10K Planetary Gear w/ Manual Freespool - 7970000158.....	300
Ball Hitch Mounting Plate - Manual Extend.....	224	Winch -10K Planetary Gear w/ Air Freespool - 7970000166.....	302
Pintle Hitch Mounting Plate - IRL.....	226	Lightbar 58" Code3 - 1001136989 & 1001136993.....	304
Pintle Hitch Mounting Plate - Hydraulic Extend.....	228	Lightbar 60" Whelen - 7590000403.....	306
Pintle Hitch Mounting Plate - Manual Extend.....	230	TG Series PTO Installation - Electric/Air Shift.....	310
Towbar - IRL.....	232	TG Series PTO Installation - Air Shift.....	312
Towbar - Hydraulic Extend.....	234	TG Series PTO Installation - E-Hydra Shift.....	314
AutoGrid Cylinder Assembly - P/N 7320000064.....	236	TG Series PTO Installation - Lectra Shift.....	316
IRL Cylinder Assembly - P/N 3320000114.....	238	CS6/CS8 Series PTO Installation - Electric/Air Shift.....	318
Wheel Lift Extend Cylinder Assembly - P/N 3320000115.....	240	CS6/CS8 Series PTO Installation - Electric/Hydraulic Shift.....	320
Tow Option Extend Cylinder Assembly - P/N 3320000116.....	242	CS24 Series PTO Installation.....	322
Tow Option Extend Cylinder Assembly - P/N 3320000117.....	244	Valve Assembly - 3935000111.....	324
ZOD Cylinder Assembly - P/N 3320000118.....	246	Valve Assembly - 3935000115.....	326
Tilt Cylinder Assembly (Inboard) - P/N 3320000120.....	248	Valve Assembly - 3935000116.....	328
Tilt Cylinder Assembly - P/N 3320000122.....	250	Valve Assembly - 3935000117.....	330
IRL Cylinder Assembly - P/N 3320000134.....	252	Valve Assembly - 3935000118.....	332
ZOD Cylinder Assembly - P/N 3320000135.....	254	Valve Assembly - 3935000150.....	334
ZOD Cylinder Assembly - P/N 7330000157.....	256	Valve Assembly - 3935000166.....	336
Roll Cylinder Assembly - P/N 3320000236.....	258	Valve Assembly - 1001145986.....	338
Lightbars.....	260	Valve Assembly - 1001146603.....	340

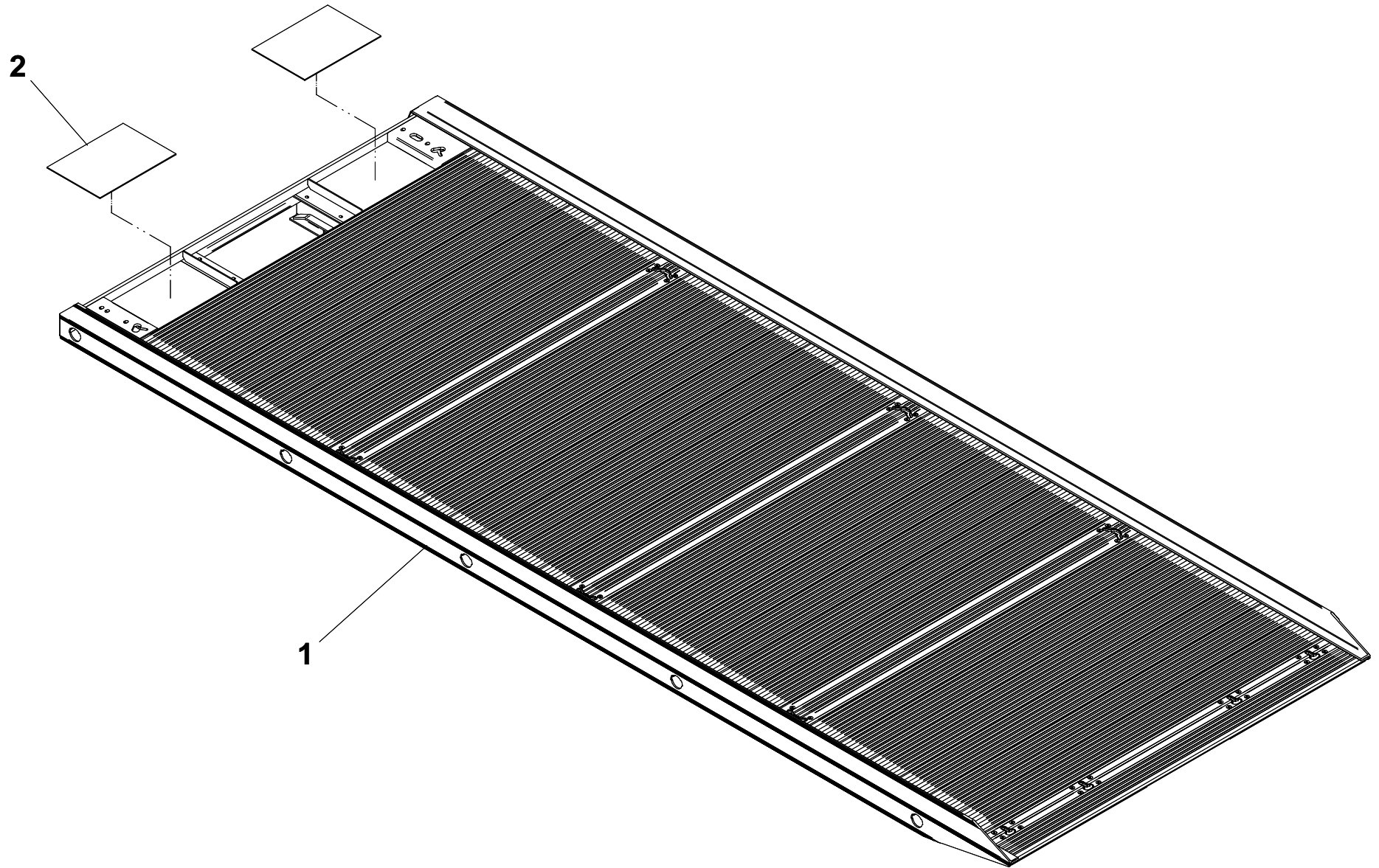
## TABLE OF CONTENTS

Accessory Equipment.....	342
Hydraulic Schematic.....	344
Electrical Schematic.....	353
Part Number Index.....	354

**DECK - 6 TON ALUMINUM FIXED RAIL (NGAF)**

ITEM	PART NO.	DESCRIPTION	QTY
1	3097000655	19' Deck - 96" Wide	1
	3097000656	19' Deck -102" Wide	
	3097000665	20' Deck - 96" Wide	
	3097000666	20' Deck -102" Wide	
	1001128462	21' Deck - 90" Wide	
	3097000675	21' Deck - 96" Wide	
	3097000676	21' Deck -102" Wide	
2	7679000017	Chain Tray Mat	2

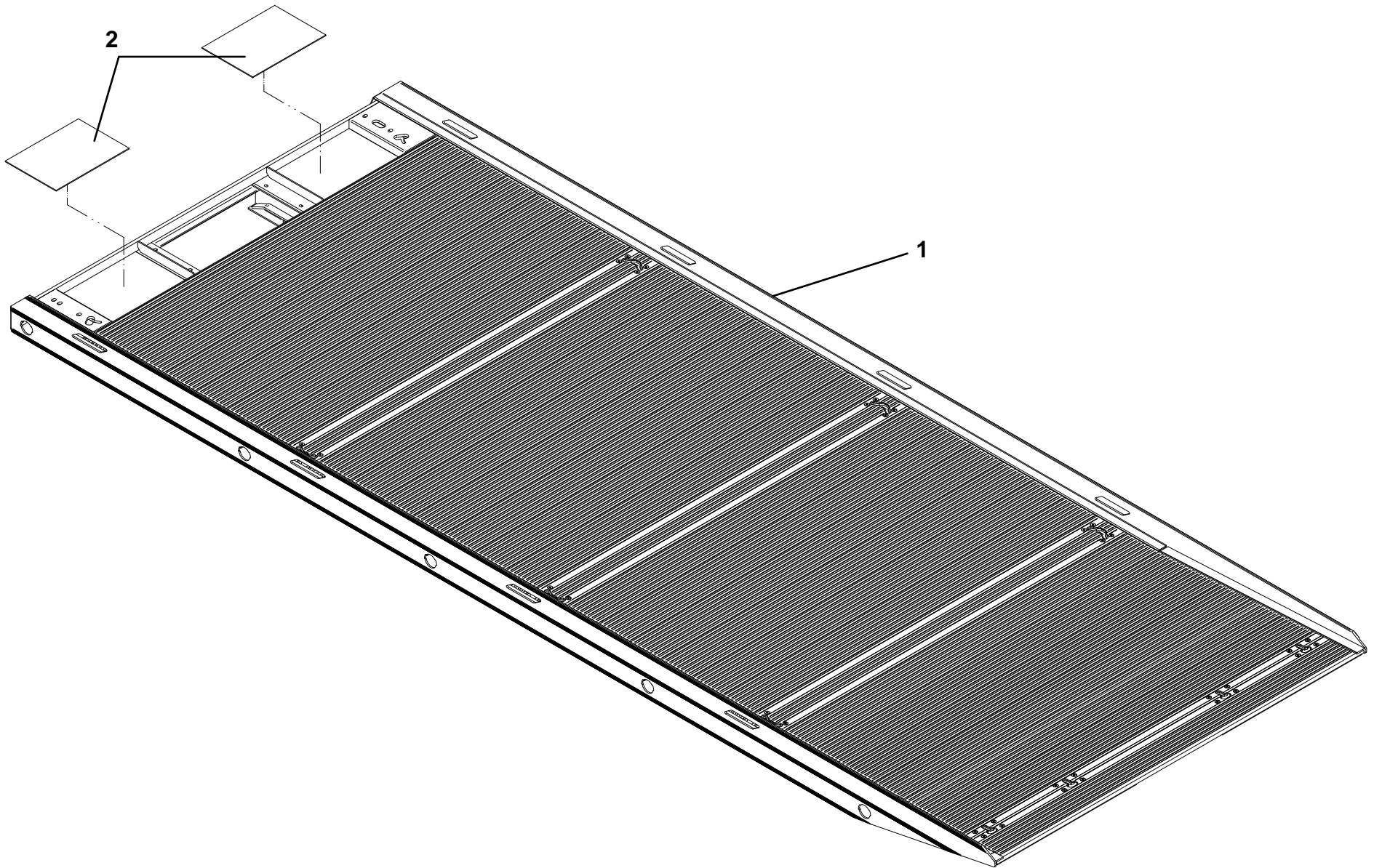
# DECK - 6 TON ALUMINUM FIXED RAIL (NGAF)



**DECK - 6 TON ALUMINUM DUAL ANGLE FIXED RAIL (NGADF)**

ITEM	PART NO.	DESCRIPTION	QTY
1	3097000682	21' Deck -102" Wide	1
	3097000681	21' Deck - 96"	
	3097000672	20' Deck -102" Wide	
	3097000671	20' Deck - 96"	
	3097000662	19' Deck -102" Wide	
	3097000661	19' Deck - 96"	
2	7679000017	Chain Tray Mat	2

## DECK - 6 TON ALUMINUM DUAL ANGLE FIXED RAIL (NGADF)



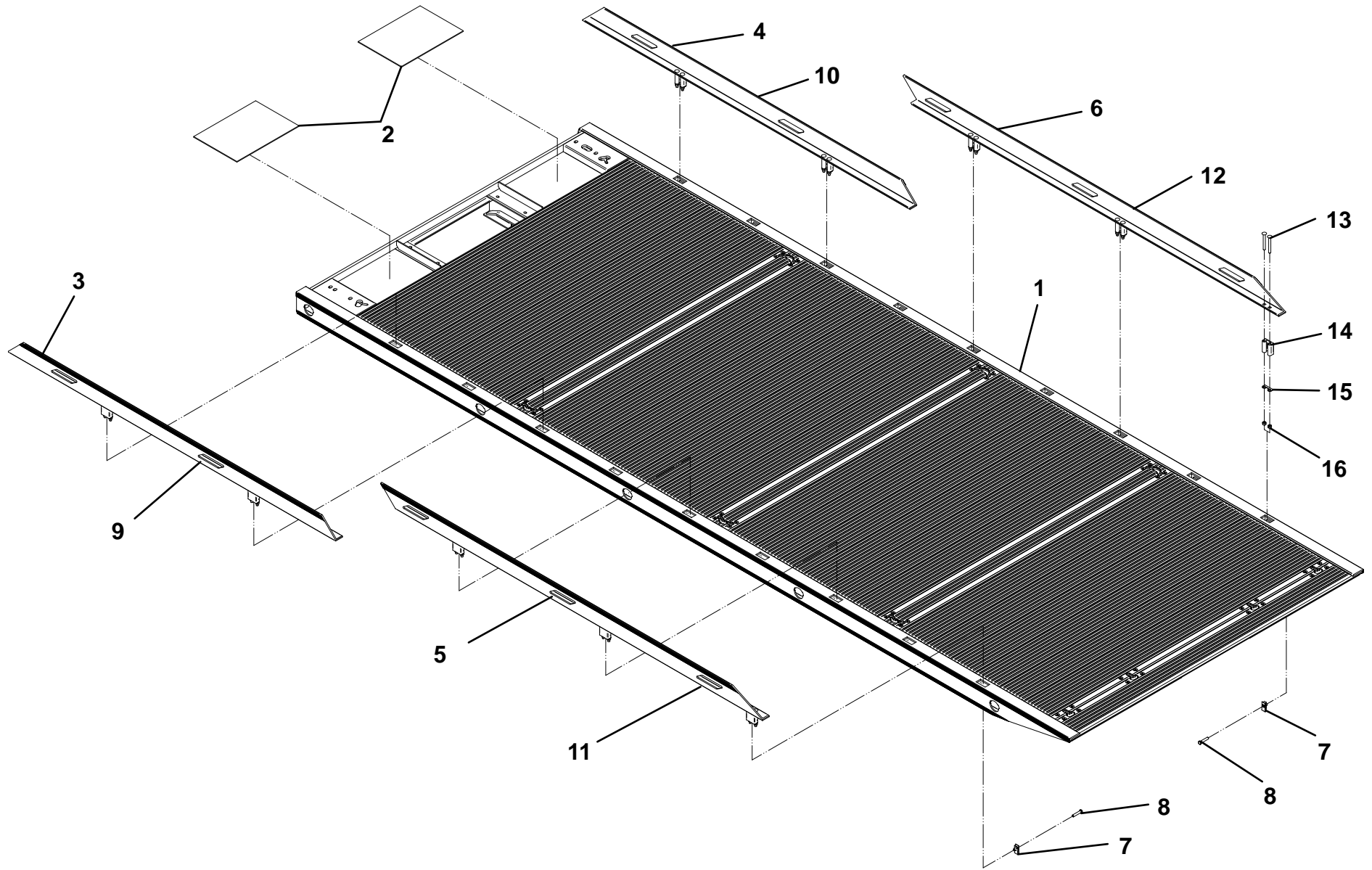
**DECK - 6 TON ALUMINUM REMOVABLE RAIL (NGAR)**

ITEM	PART NO.	DESCRIPTION	QTY
1	3097000653	19' Deck - 96" Wide	1
	3097000654	19' Deck -102" Wide	
	3097000663	20' Deck - 96" Wide	
	3097000664	20' Deck -102" Wide	
	3097000673	21' Deck - 96" Wide	
	3097000674	21' Deck -102" Wide	
2	7679000017	Chain Tray Mat	2

ITEM	PART NO.	DESCRIPTION	QTY
		<b>Standard Aluminum Removable Rails</b>	
3	3017000121	Angle Assembly LH Front	1
4	3017000122	Angle Assembly RH Front	1
5	3017000127	Angle Assembly LH Rear (19' & 20' decks)	1
	3097000129	Angle Assembly LH Rear (21' deck)	
6	3017000128	Angle Assembly RH Rear (19 & 20' decks)	1
	3017000130	Angle Assembly RH Rear (21' deck)	
7	7661000055	U-Nut	12
8	7120000005	Capscrew, 0.50"-13NC x 2.50"	10
		<b>Parts Breakdown of Angle Assemblies</b>	
9	4017001699	Angle LH Front	1
10	4017001700	Angle RH Front	
11	4017001705	Angle LH Rear (19' & 20' decks)	1
	4017001707	Angle LH Rear (21' deck)	
12	4017001706	Angle RH Rear (19' & 20' decks)	
	4017001708	Angle RH Rear (21' deck)	
13	1001137970	Carriage Bolt, 0.50"-13NC x 4.50"	20
14	8411080102	Extrusion	10
15	4706006228	Plate	10
16	7660182601	Locknut, 0.50"-13NC	20



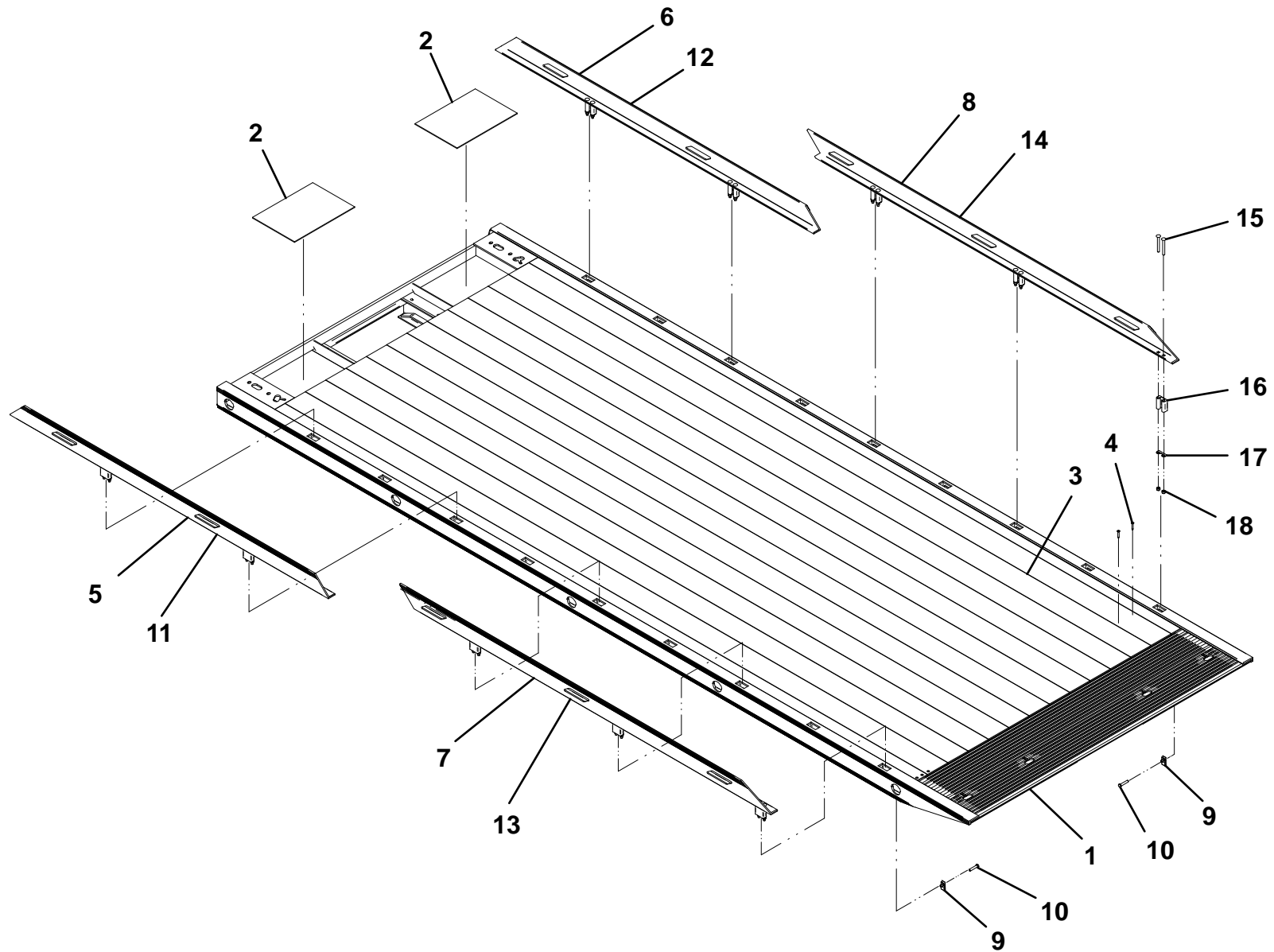
# DECK - 6 TON ALUMINUM REMOVABLE RAIL (NGAR)



**DECK - 6 TON ALUMINUM TRANSPORTER (NGAT)**

ITEM	PART NO.	DESCRIPTION	QTY	ITEM	PART NO.	DESCRIPTION	QTY
1	Consult Factory	19' Deck - 95" Wide, 12" X-mem spacing	1			<b>Standard Aluminum Removable Rails</b>	
	Consult Factory	19' Deck - 95" Wide, 8" X-mem spacing		5	3017000121	Angle Assembly LH Front	1
	Consult Factory	19' Deck -102" Wide, 12" X-mem spacing		6	3017000122	Angle Assembly RH Front	1
	Consult Factory	19' Deck -102" Wide, 8" X-mem spacing		7	3017000127	Angle Assembly LH Rear (19' & 20' decks)	1
	Consult Factory	20' Deck - 95" Wide, 12" X-mem spacing			3017000129	Angle Assembly LH Rear (21' deck)	
	Consult Factory	20' Deck - 95" Wide, 8" X-mem spacing		8	3017000128	Angle Assembly RH Rear (19 & 20' decks)	1
	Consult Factory	20' Deck -102" Wide, 12" X-mem spacing			3017000130	Angle Assembly RH Rear (21' deck)	
	Consult Factory	20' Deck -102" Wide, 8" X-mem spacing		9	7661000055	U-Nut	12
	Consult Factory	21' Deck - 95" Wide, 12" X-mem spacing		10	7120000005	Capscrew, 0.50"-13NC x 2.50"	10
	Consult Factory	21' Deck - 95" Wide, 8" X-mem spacing				<b>Parts Breakdown of Angle Assemblies</b>	
	Consult Factory	21' Deck -102" Wide, 12" X-mem spacing		11	4017001699	Angle LH Front	1
2	7679000017	Chain Tray Mat	2	12	4017001700	Angle RH Front	
3	Consult Factory	Keruing Board	A/R	13	4017001705	Angle LH Rear (19' & 20' decks)	1
4	7786000007	Screw, 0.31"-18NC x 2.00"	A/R		4017001707	Angle LH Rear (21' deck)	
				14	4017001706	Angle RH Rear (19' & 20' decks)	
					4017001708	Angle RH Rear (21' deck)	
				15	1001137970	Carriage Bolt, 0.50"-13NC x 4.50"	20
				16	8411080102	Extrusion	10
				17	4706006228	Plate	10
				18	7660182601	Locknut, 0.50"-13NC	20

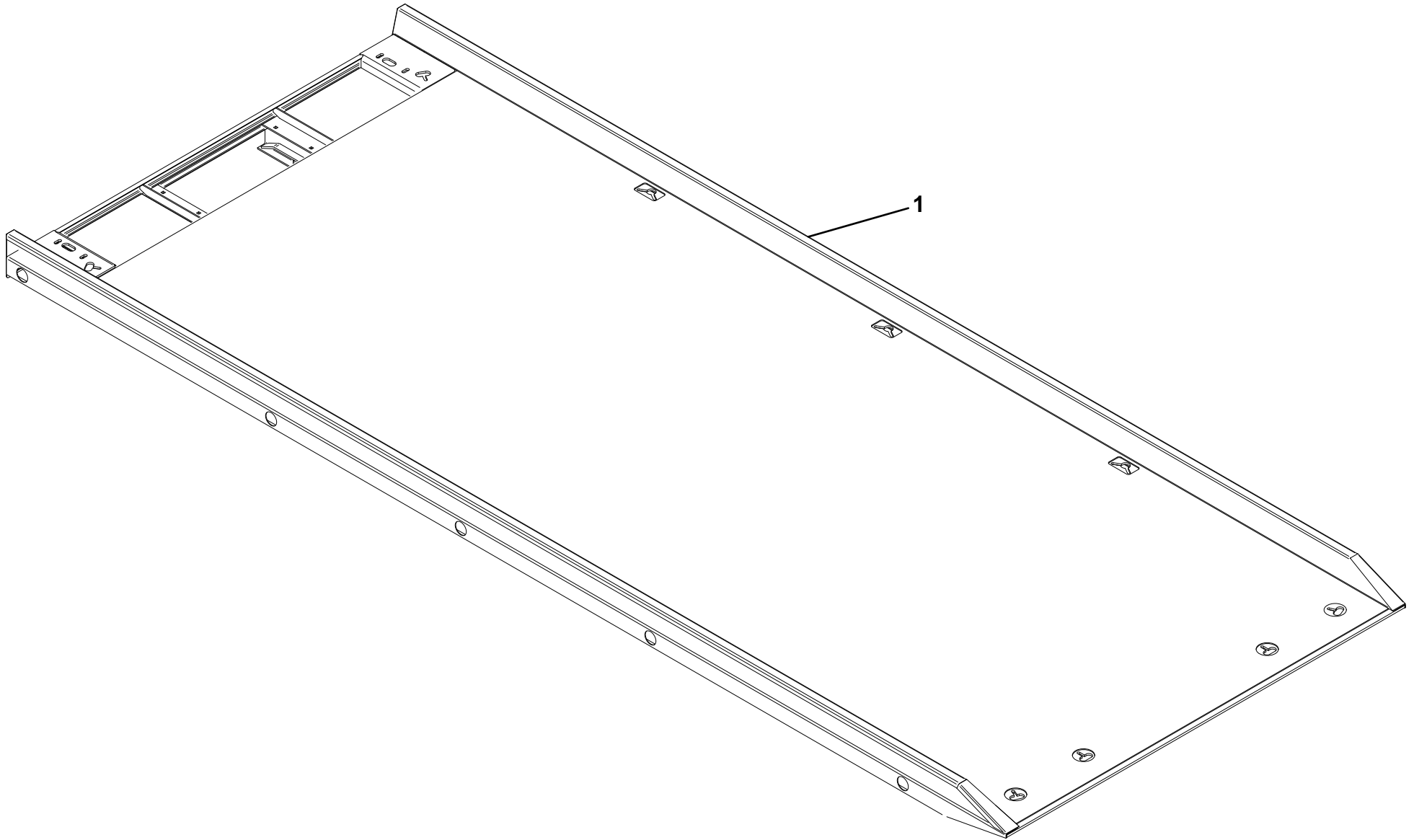
# DECK - 6 TON ALUMINUM TRANSPORTER (NGAT)



**DECK - 6 TON STEEL RUSTLER (WSRB)**

ITEM	PART NO.	DESCRIPTION	QTY
1	Consult Factory	19' Deck - 96" Wide	1
	Consult Factory	19' Deck -102" Wide	
	Consult Factory	20' Deck - 96" Wide	
	Consult Factory	20' Deck -102" Wide	
	Consult Factory	21' Deck - 96" Wide	
	Consult Factory	21' Deck -102" Wide	

# DECK - 6 TON STEEL RUSTLER (WSRB)

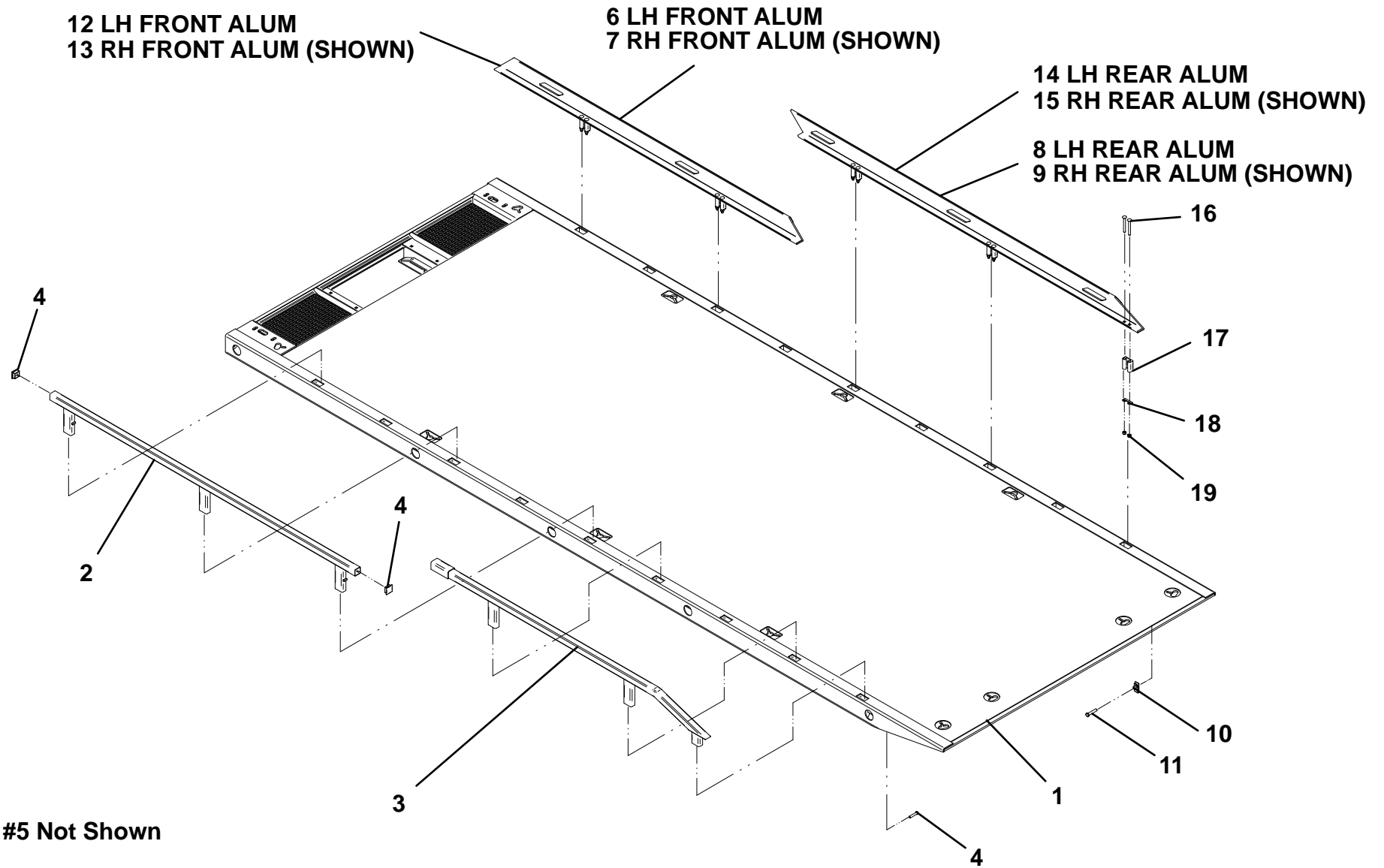


**DECK - 6 TON STEEL REMOVABLE RAIL (RRSB)**

ITEM	PART NO.	DESCRIPTION	QTY
1	Consult Factory	19' Deck - 96" Wide	1
	Consult Factory	19' Deck -102" Wide	
	Consult Factory	19' High Dump Deck - 96" Wide	
	Consult Factory	20' Deck - 96" Wide	
	Consult Factory	20' Deck -102" Wide	
	Consult Factory	21' Deck - 90" Wide	
	Consult Factory	21' Deck - 96" Wide	
	Consult Factory	21' Deck -102" Wide	

ITEM	PART NO.	DESCRIPTION	QTY
		<b>Standard Steel Tubular Removable Rails:</b>	
2	3017000259	Rail Weldment Front (19' & 20' decks)	2
	3017000260	Rail Weldment Front (21' deck)	
3	3017000262	Rail Weldment Rear (19' & 20' decks)	2
	3017000261	Rail Weldment Rear (21' deck)	
4	7115181050	Capscrew, 0.50"-13NC x 1.25"	10
5	7701000033	End Cap	4
		<b>Optional Aluminum Removable Rails:</b>	
6	3017000121	Angle Assembly LH Front	1
7	3017000122	Angle Assembly RH Front	1
8	3017000127	Angle Assembly LH Rear (19' & 20' decks)	1
	3017000129	Angle Assembly LH Rear (21' deck)	
9	3017000128	Angle Assembly RH Rear (19' & 20' decks)	1
	3017000130	Angle Assembly RH Rear (21' deck)	
10	7661000055	U-Nut	10
11	7120000005	Capscrew, 0.50"-13NC x 2.50"	10
		<b>Parts Breakdown of Angle Assemblies</b>	
12	4017001699	Angle LH Front	1
13	4017001700	Angle RH Front	
14	4017001705	Angle LH Rear (19' & 20' decks)	1
	4017001707	Angle LH Rear (21' deck)	
15	4017001706	Angle RH Rear (19' & 20' decks)	
	4017001708	Angle RH Rear (21' deck)	
16	1001137970	Carriage Bolt, 0.50"-13NC x 4.50"	20
17	8411080102	Extrusion	10
18	4706006228	Plate	10
19	7660182601	Locknut, 0.50"-13NC	20

# DECK - 6 TON STEEL REMOVABLE RAIL (RRSB)

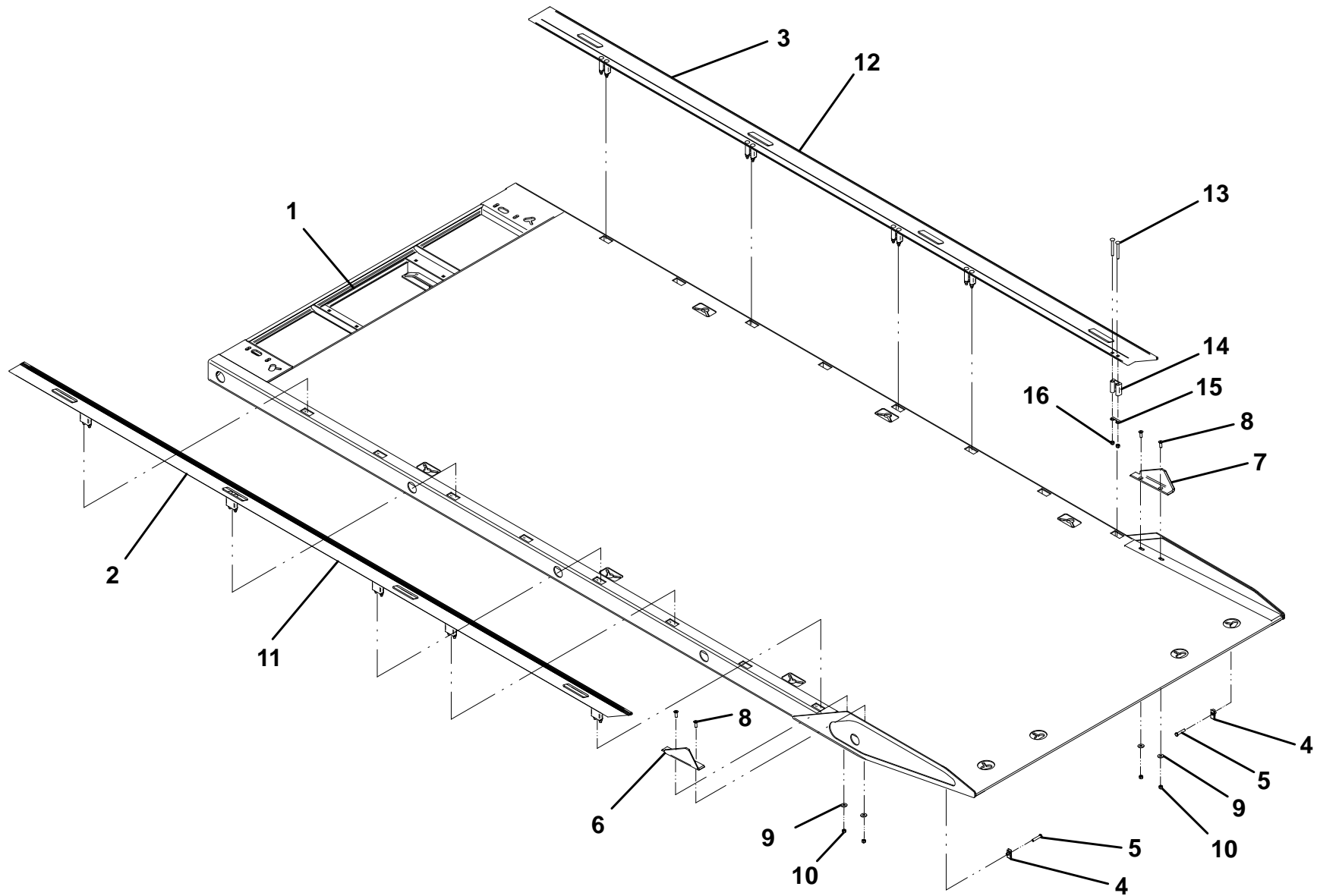


**DECK - 6 TON STEEL SHARK (SLPB)**

ITEM	PART NO.	DESCRIPTION	QTY	ITEM	PART NO.	DESCRIPTION	QTY
1	Consult Factory	19' Deck, 6 Ton, 102" Wide	1			<b>Parts Breakdown of Angle Assemblies</b>	
	Consult Factory	20' Deck, 6 Ton, 102" Wide					
	Consult Factory	21' Deck, 6 Ton, 102" Wide					
2	3017000135	Angle Assembly LH (19' deck)	1	11	4017001713	Angle LH (19' deck)	1
	3017000137	Angle Assembly LH ( 20' deck)			4017001715	Angle LH (20' deck)	
	3017000139	Angle Assembly LH (21' deck)			4017001717	Angle LH (21' deck)	
3	3017000136	Angle Assembly RH (19' deck)	1	12	4017001714	Angle RH (19' deck)	1
	3017000138	Angle Assembly RH (20' deck)			4017001716	Angle RH (20' deck)	
	3017000140	Angle Assembly RH (21' deck)			4017001718	Angle RH (21' deck)	
4	7661000055	U-Nut (19' & 20' decks)	8	13	1001137970	Carriage Bolt, 0.50"-13NC x 4.50" (19' & 20' decks)	16
	7661000055	U-Nut (21' deck)	10				
5	7120000005	Capscrew, 0.50"-13NC x 2.50" (19' & 20' decks)	8		1001137970	Carriage Bolt, 0.50"-13NC x 4.50" (21' deck)	20
	7120000005	Capscrew, 0.50"-13NC x 2.50" (21' deck)	10	14	8411080102	Extrusion (19' & 20' decks)	8
6	4178000874	Bracket, LH	1			Extrusion (21' deck)	10
7	4178000873	Bracket, RH	1	15	4706006228	Plate (19' & 20' decks)	8
8	7115181223	Screw, 0.50"-13NC x 1.50"	4			Plate (21' deck)	10
9	7950180161	Flatwasher, 0.50" ID	4		7660182601	Locknut, 0.50"-13NC (19' & 20' decks)	16
10	7660182601	Locknut, 0.50"-13NC	4			Locknut, 0.50"-13NC (21' deck)	20



# DECK - 6 TON STEEL SHARK (SLPB)



**DECK - 6 TON STEEL TRANSPORTER (STRB)**

ITEM	PART NO.	DESCRIPTION	QTY
1	Consult Factory	19' Deck, 95" Wide, 8" X-mem spacing	1
	Consult Factory	19' Deck, 102" Wide, 8" X-mem spacing	
	Consult Factory	20' Deck, 95" Wide, 8" X-mem spacing	
	Consult Factory	20' Deck -102" Wide, 8" X-mem spacing	
	Consult Factory	21' Deck - 95" Wide, 8" X-mem spacing	
	Consult Factory	21' Deck -102" Wide, 8" X-mem spacing	
2	Consult Factory	Keruing Board	A/R
3	7786000007	Screw, 0.31"-18NC x 2.00"	A/R

ITEM	PART NO.	DESCRIPTION	QTY
		<b>Standard Steel Tubular Removable Rails:</b>	
4	3017000259	Rail Weldment Front (19' & 20' decks)	2
	3017000260	Rail Weldment Front (21' deck)	
5	3017000262	Rail Weldment Rear (19' & 20' decks)	2
	3017000261	Rail Weldment Rear (21' deck)	
6	7115181050	Capscrew, 0.50"-13NC x 1.25"	10
7	7701000033	End Cap	4
		<b>Optional Aluminum Removable Rails:</b>	
8	3017000121	Angle Assembly LH Front	1
9	3017000122	Angle Assembly RH Front	1
10	3017000127	Angle Assembly LH Rear (19' & 20' decks)	1
	3017000129	Angle Assembly LH Rear (21' deck)	
11	3017000128	Angle Assembly RH Rear (19' & 20' decks)	1
	3017000130	Angle Assembly RH Rear (21' deck)	
12	7661000055	U-Nut	10
13	7120000005	Capscrew, 0.50"-13NC x 2.50"	10
		<b>Parts Breakdown of Angle Assemblies</b>	
14	4017001699	Angle LH Front	1
15	4017001700	Angle RH Front	
16	4017001705	Angle LH Rear (19' & 20' decks)	1
	4017001707	Angle LH Rear (21' deck)	
17	4017001706	Angle RH Rear (19' & 20' decks)	
	4017001708	Angle RH Rear (21' deck)	
18	1001137970	Carriage Bolt, 0.50"-13NC x 4.50"	20
19	8411080102	Extrusion	10
20	4706006228	Plate	10
21	7660182601	Locknut, 0.50"-13NC	20

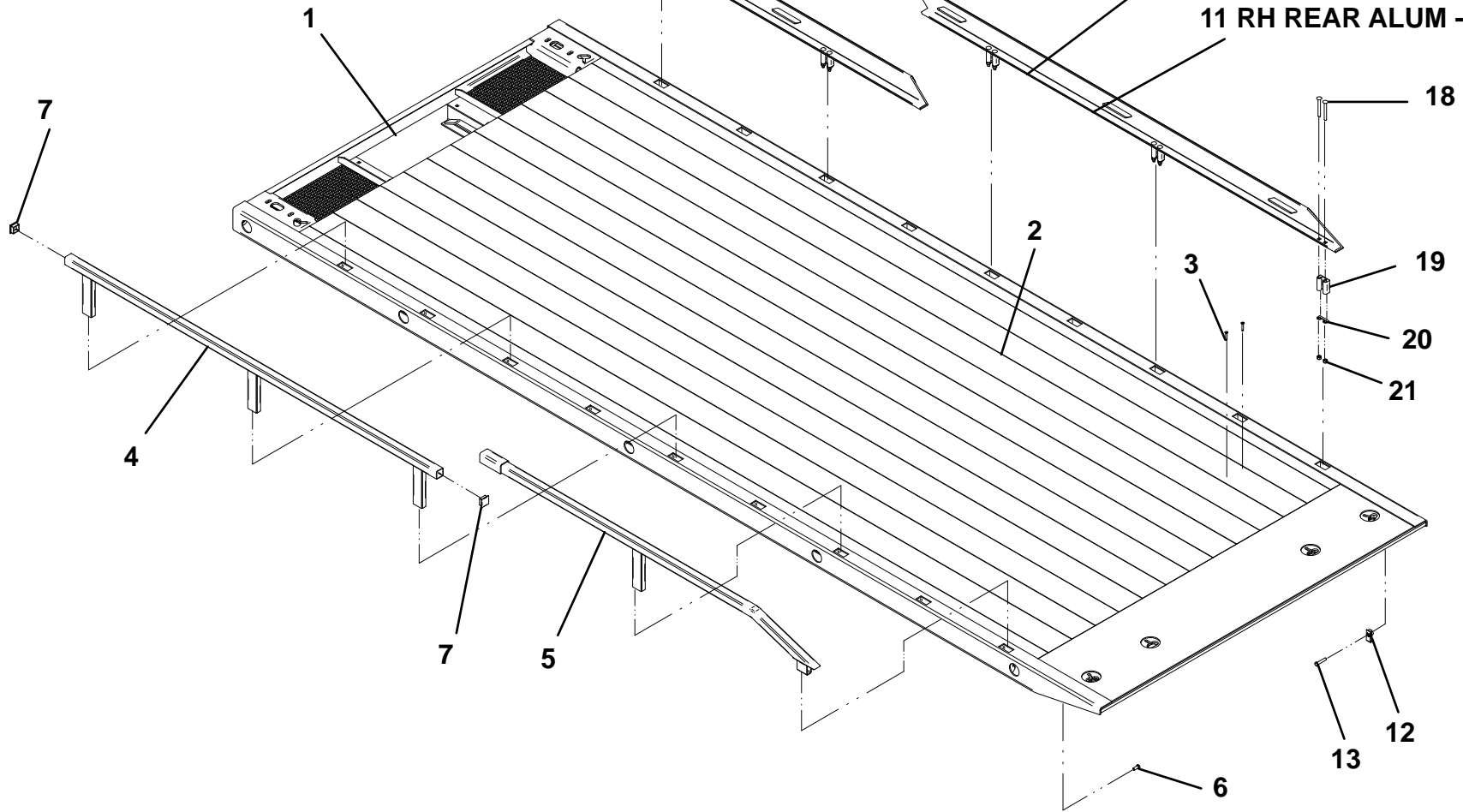
# DECK - 6 TON STEEL TRANSPORTER (STRB)

14 LH Front Alum  
15 RH Front Alum - (SHOWN)

8 LH FRONT  
9 RH FRONT ALUM - (SHOWN)

16 LH REAR ALUM  
17 RH REAR ALUM - (SHOWN)

10 LH REAR ALUM  
11 RH REAR ALUM - (SHOWN)

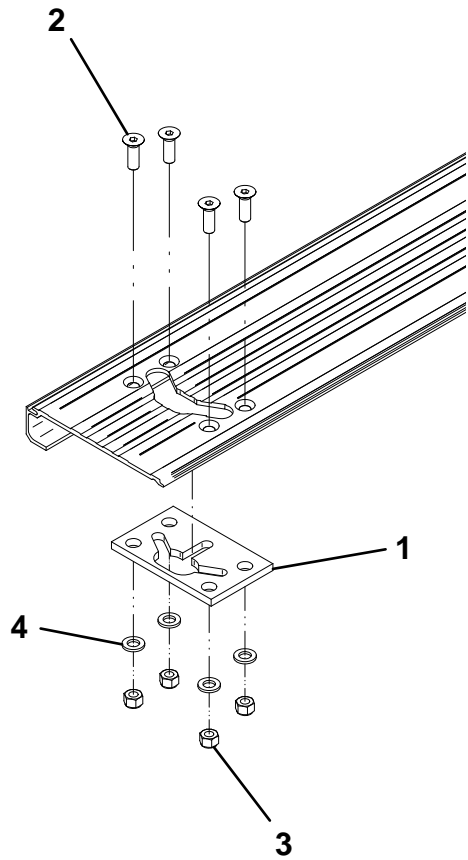


**STEEL BOLT-IN KEYSLOTS**

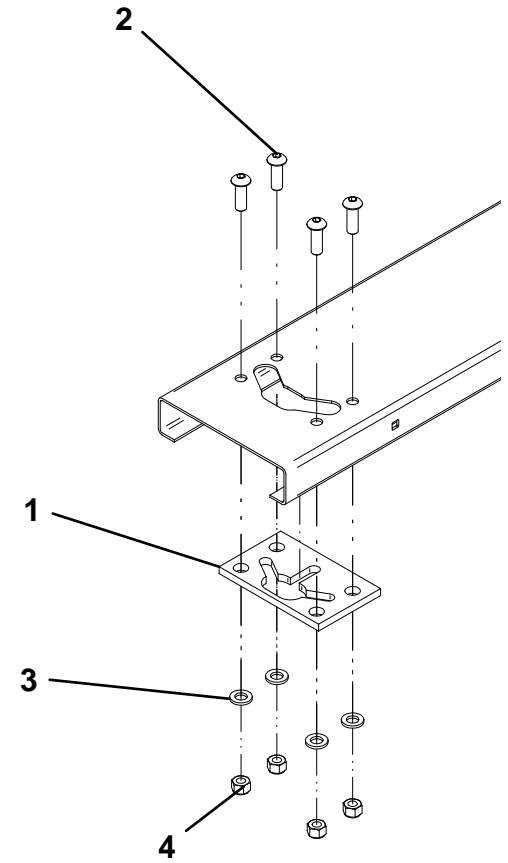
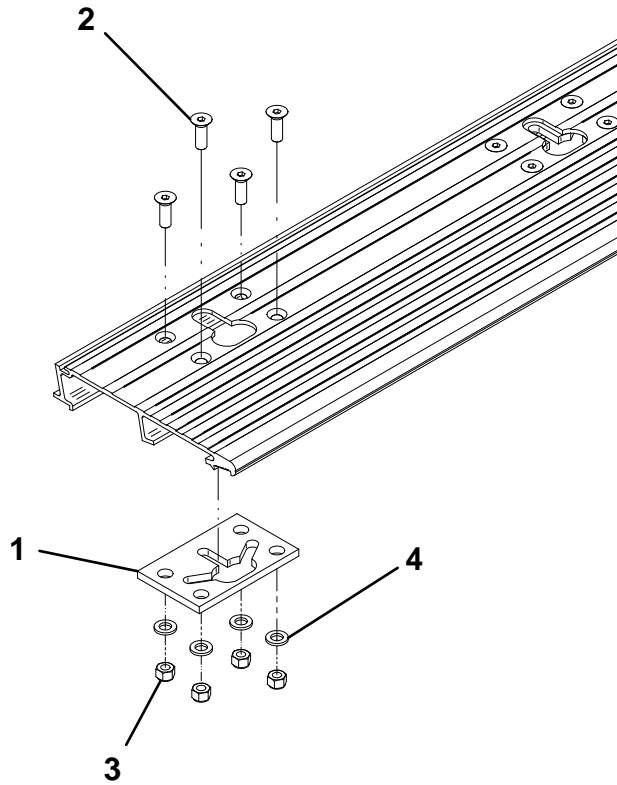
ITEM	PART NO.	DESCRIPTION	QTY
<b>Aluminum Decks</b>			
1	4706005551	Keyslot Plate	1
2	1001138460	Screw, 0.50"-13NC x 1.50" Flat Head	4*
3	7660182601	Locknut, 0.50"-13NC	4*
4	7950180153	Flatwasher, 0.50" ID	4*
<b>Steel Panel Decks</b>			
1	4706005551	Keyslot Plate	1
2	1001138460	Capscrew, 0.50"-13NC x 1.50"	4*
3	7950180153	Flatwasher, 0.50" ID	4*
4	7660182601	Locknut, 0.50"-13NC	4*

\*Quantities are per item #1

# STEEL BOLT-IN KEYSLOTS



ALUMINUM DECKS



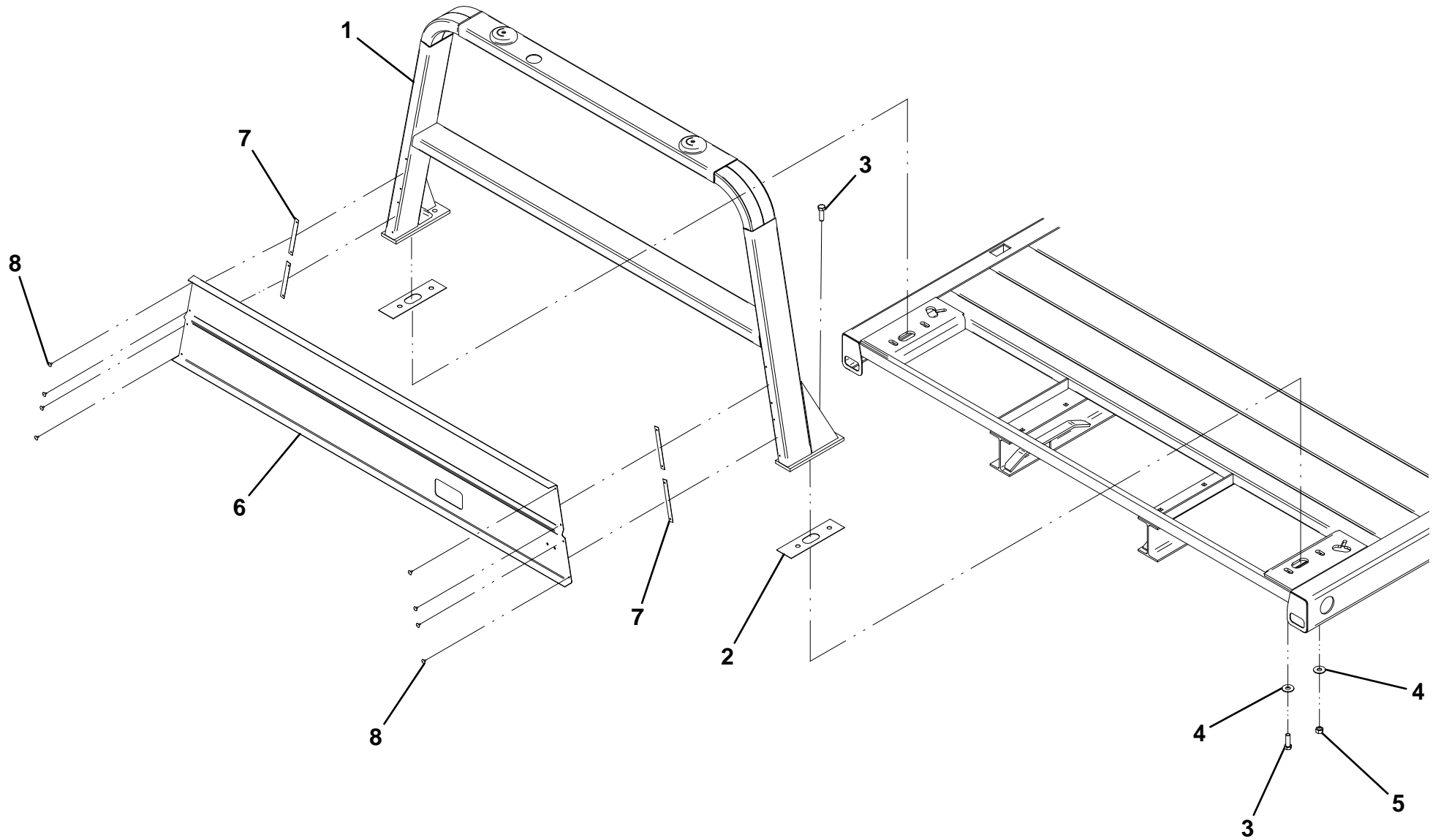
STEEL PANEL DECKS

**STANDARD BOLT-ON HEADBOARD**

ITEM	PART NO.	DESCRIPTION	QTY
1	1001129362	Standard Headboard Weld - 36.50"	1
	1001129364	Standard Headboard Weld - 45.50"	
	1001129378	Standard Headboard Weld - 50.50"	
	1001129379	Standard Headboard Weld - 57.50"	
2	4796000037	Gasket	2
3	7105201650	Capscrew, 0.63"-18NF x 2.00"	4
4	7950200152	Flatwasher, 0.63" ID	4
5	7660200035	Nut, 0.63"-18NF	2
6	4686000295	Panel (36.50" or 45.50" headboard w/ std. remote free spool)	1
	4686000296*	Panel (50.50" or 57.50" headboard w/ std. remote free spool)	
	4686000301*	Panel (45.50" headboard w/ air remote free spool)	
	4686000302*	Panel (50.50" or 57.50" headboard w/ air remote free spool)	
7	4892000008	Tape (36.50" or 45.50" headboard)	4
	4892000009	Tape (50.50" or 57.50" headboard)	
8	7759000022	Pop Rivet	8

\*included with Standard Headboard Weld

# STANDARD BOLT-ON HEADBOARD



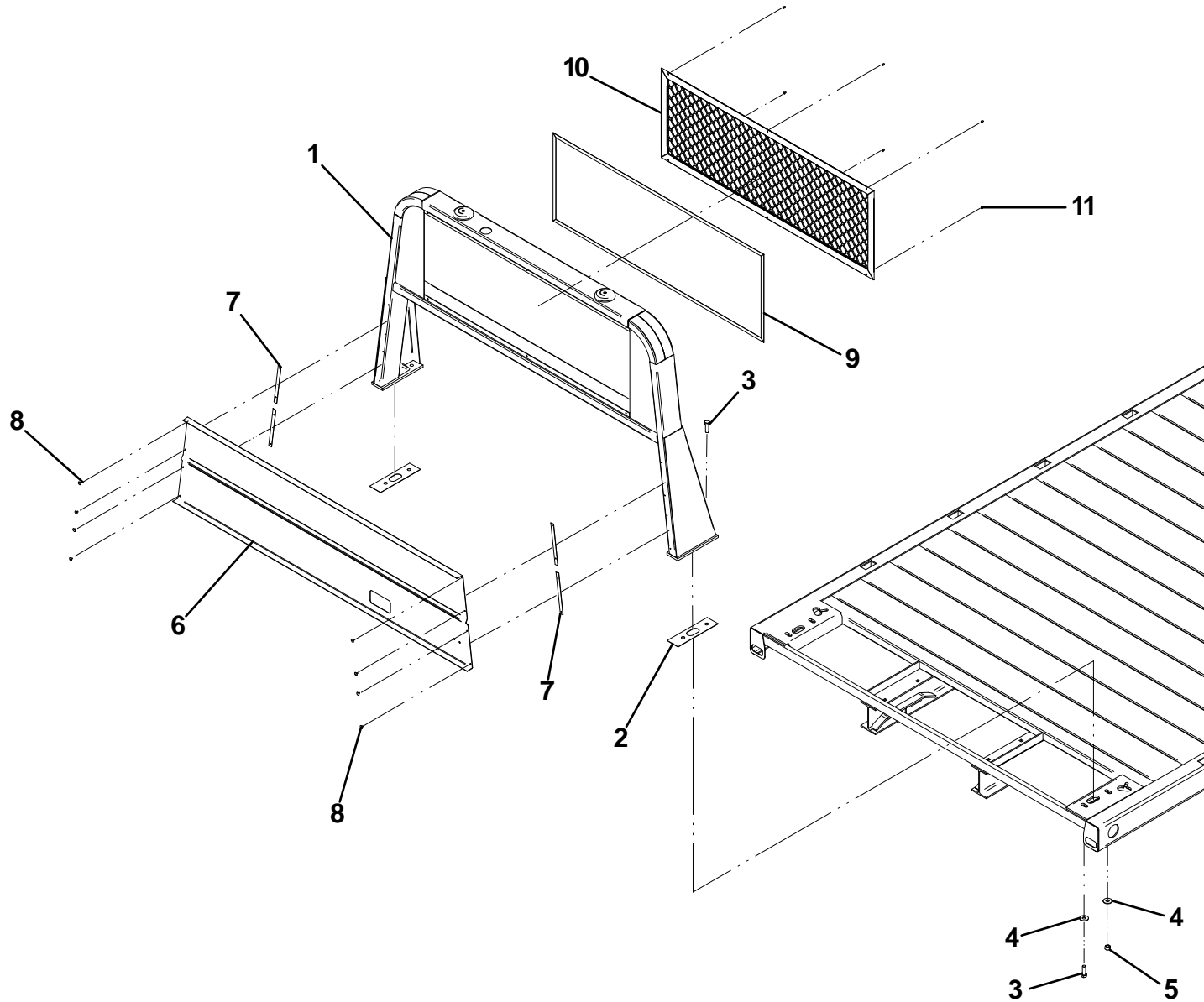
**DELUXE BOLT-ON HEADBOARD**

ITEM	PART NO.	DESCRIPTION	QTY	ITEM	PART NO.	DESCRIPTION	QTY
1	1001129151	Deluxe Headboard Weld - 36.50" (w/ std. remote free spool)	1	9	3391000020	Screen Weld (36.50" headboard)	1
	1001129153	Deluxe headboard Weld - 45.50" (w/ std. remote free spool)			3391000021	Screen Weld (45.50" headboard)	
	1001129159	Deluxe Headboard Weld - 45.50" (w/ air remote free spool)			3391000017	Screen Weld (50.50" headboard)	
	1001129155	Deluxe Headboard Weld - 50.50" (w/ std. remote free spool)			3391000022	Screen Weld (57.50" headboard)	
	1001129161	Deluxe Headboard Weld - 50.50" (w/ air remote free spool)		10	4796000003	Gasket	1
	1001129157	Deluxe Headboard Weld - 57.50" (w/ std. remote free spool)		11	7759000015	Rivet	6
	1001129163	Deluxe Headboard Weld - 57.50" (w/ air remote free spool)					
2	4796000037	Gasket	2				
3	7105201650	Capscrew, 0.63"-18NF x 2.00"	4				
4	7950200152	Flatwasher, 0.63" ID	4				
5	7660200035	Nut, 0.63"-18NF	2				
6	4686000295*	Panel (36.50" or 45.50" headboard w/ std. remote free spool)	1				
	4686000296*	Panel (50.50" or 57.50" headboard w/ std. remote free spool)					
	4686000301*	Panel (45.50" headboard w/ air remote free spool)					
	4686000302*	Panel (50.50" or 57.50" headboard w/ air remote free spool)					
7	4892000008*	Tape (36.50" or 45.50" headboard)	4				
	4892000009*	Tape (50.50" or 57.50" headboard)					
8	7759000022	Pop Rivet	8				

\*included with Deluxe Headboard Weld



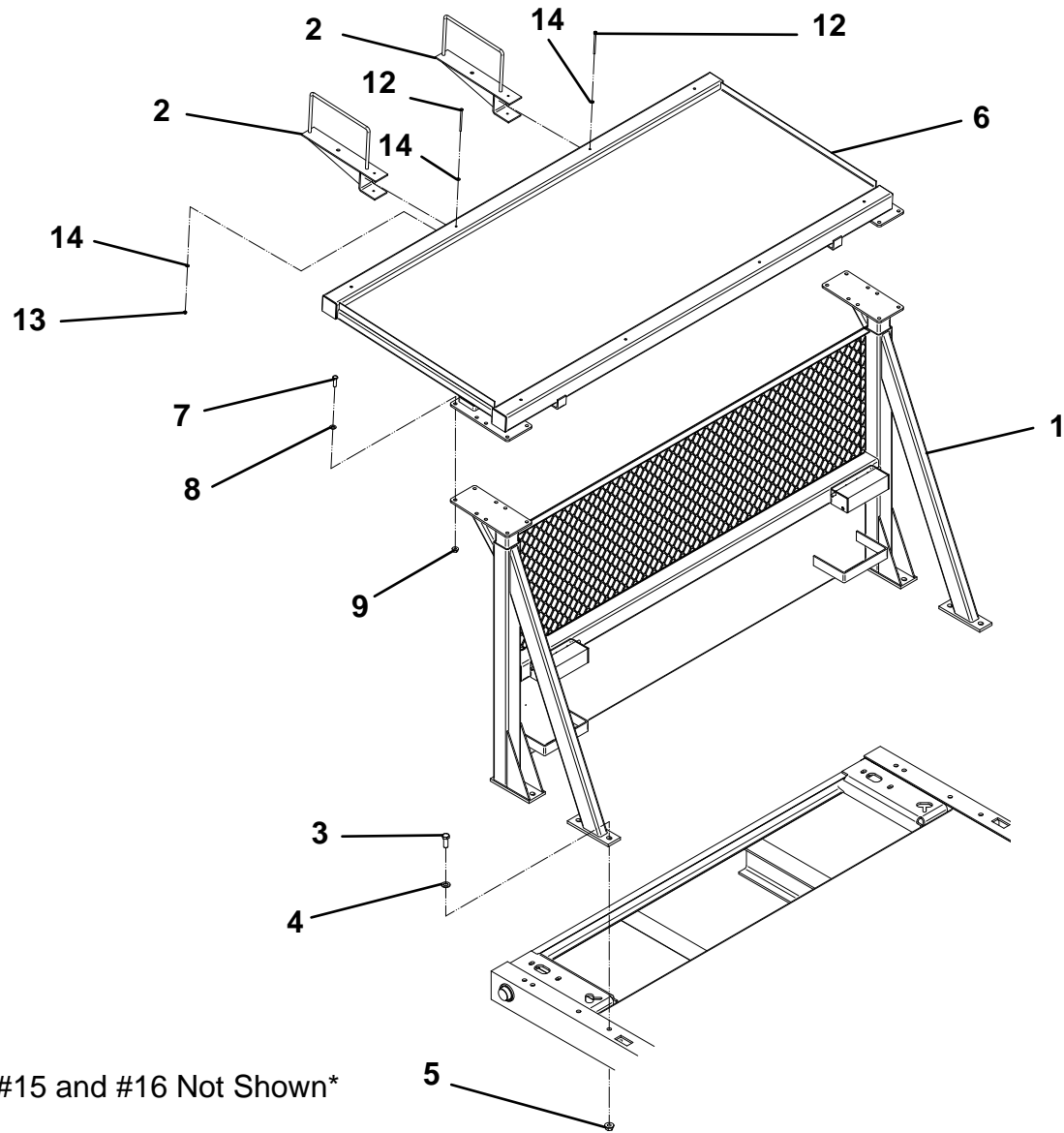
# DELUXE BOLT-ON HEADBOARD



**BUCKET REST HEADBOARD**

ITEM	PART NO.	DESCRIPTION	QTY
1	1001132350	Lower Headboard Weldment	1
	1001139503	Lower Headboard Weldment	1
	1001141918	Lower Headboard Weldment	1
2	1001141889	Light Bar Bracket	2
3	7115222050	Capscrew, 0.75"-10NC x 2.50"	8
4	7950220141	Flatwasher, 0.75" ID	8
5	7660222308	Locknut, 0.75"-10NC	8
6	1001141875	Upper Headboard Weldment	1
7	7115181450	Capscrew, 0.50"-13NC x 1.75"	16
8	7950180143	Flatwasher, 0.50" ID	16
9	7660182304	Locknut, 0.50"-13NC	16
10	7894000042	Tie Strap	30
11	7701000058	Plug	16
12	641436	Capscrew, 0.25 -20NC x 4.50	2
13	7660142601	Locknut, 0.25" -20NC	2
14	7950140143	Flatwasher, 0.25" ID	4
15	7660142601	Locknut, 0.50"-13NC	2
16	7280000019	Clip	1

# BUCKET REST HEADBOARD



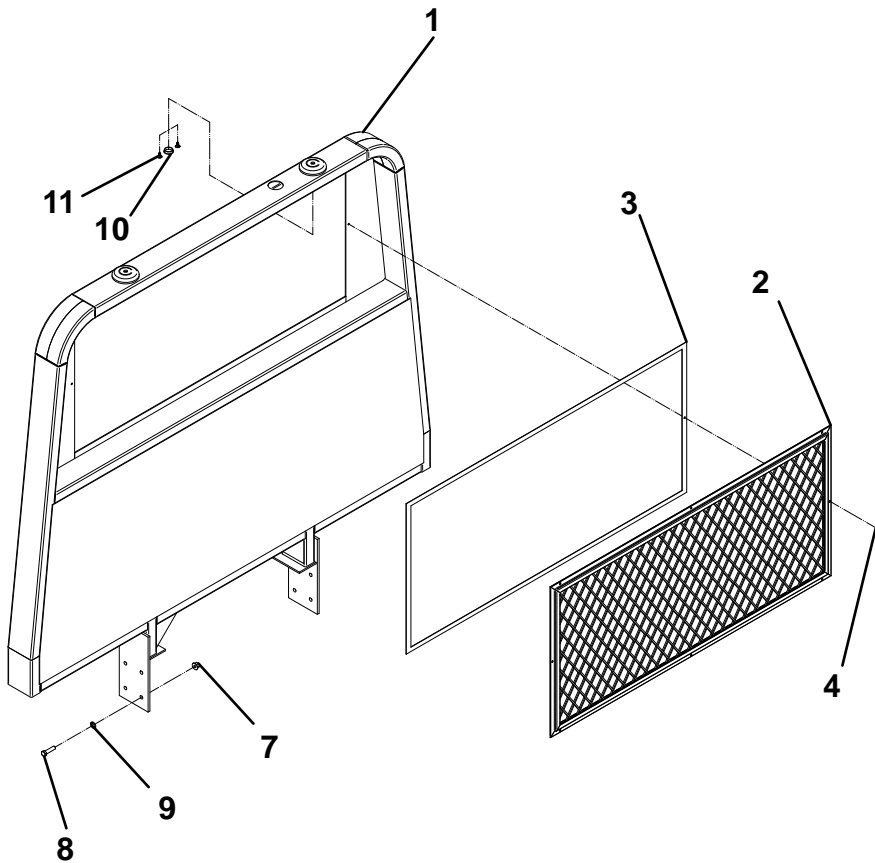
\*Item #10, #11, #15 and #16 Not Shown\*

**STATIONARY HEADBOARD**

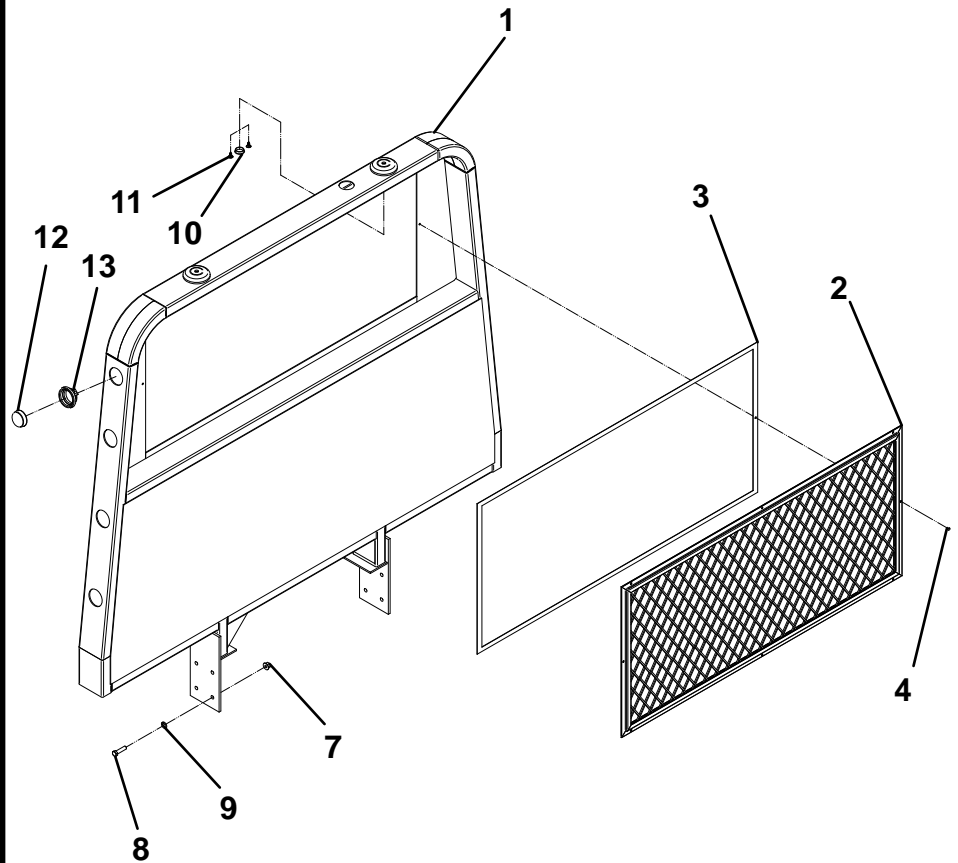
ITEM	PART NO.	DESCRIPTION	QTY
		<b>Stationary Headboards w/o Lights</b>	
1	1001129171	Stationary Headboard, 48" Ford < 2011	1
	1001129173	Stationary Headboard, 48"	
	1001129165	Stationary Headboard, 57"	
	1001129167	Stationary Headboard, 62"	
	1001129169	Stationary Headboard, 69"	
2	3391000014	Screen Weldment, (48" & 57" Headboards)	1
	3391000017	Screen Weldment, (62" Headboards)	
	3391000018	Screen Weldment, (69" Headboards)	
3	4796000003	Gasket	1
4	7759000015	Rivet	8
5	4705000607	Shim	2
6	4705000608	Shim	2
7	7660182333	Locknut, 0.50"-20NF	8
8	7105180153	Capscrew, 0.50"-20NF x 2.00"	8
9	7950180153	Flatwasher, 0.50" ID	8
10	7701000049	Plug	2
11	7413000013	Push-In Fastener	4

ITEM	PART NO.	DESCRIPTION	QTY
		<b>Stationary Headboards w/ Lights</b>	
1	1001133225	Stationary Headboard, 69.00" w/ Lights	1
2	3391000018	Screen Weldment	1
3	4796000003	Gasket	1
4	7759000015	Rivet	8
5	4705000607	Shim	2
6	4705000608	Shim	2
7	7660182333	Locknut, 0.50"-20NF	8
8	7105180153	Capscrew, 0.50"-20NF x 2.00"	8
9	7950180153	Flatwasher, 0.50" ID	8
10	7701000049	Plug	2
11	7413000013	Push-In Fastener	4
12	7590000342	Light	8
13	7493000009	Grommet	8
14	1001133195	Harness	1

# STATIONARY HEADBOARD



\*Item #5 and #6 Not Shown\*

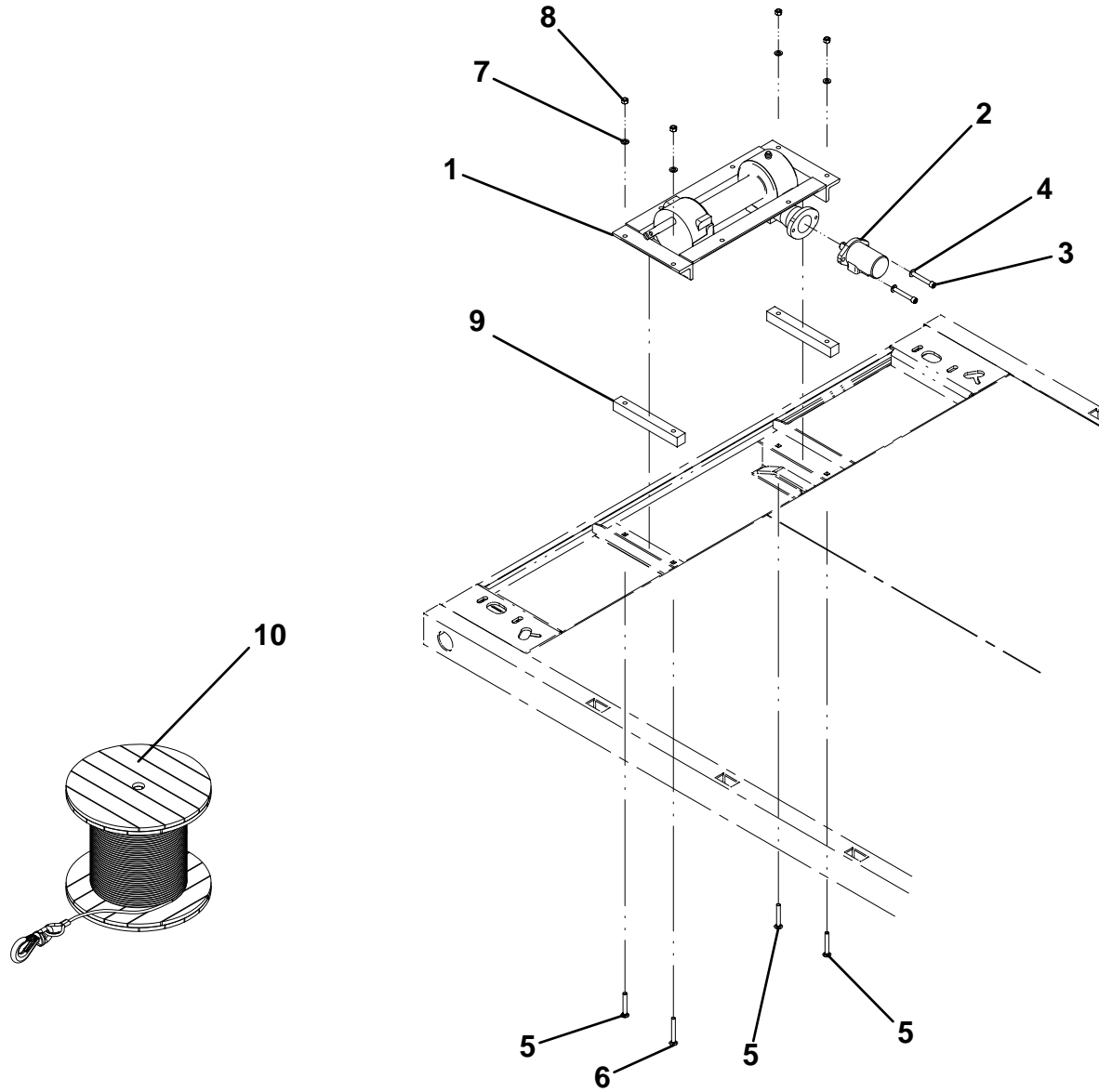


\*Item #5, #6 and #14 Not Shown\*

**WORM GEAR WINCH**

ITEM	PART NO.	DESCRIPTION	QTY
1	7970000121	Winch - 8,000 lb. Worm Gear (w/ std. remote free spool)	1
	7970000142	Winch - 8,000 lb. Worm Gear (w/ air remote free spool)	
	7970000123	Winch -10,000 lb. Worm Gear (w/ std. remote free spool)	
	7970000140	Winch -10,000 lb. Worm Gear (w/ air remote free spool)	
2	7626000014	Orbit Motor	1
3	7115181250	Capscrew, 0.50"-13NC x 1.50"	2
4	7950180400	Lockwasher, 0.50" ID	2
5	7115181464	Carriage Bolt, 0.50"-13NC x 1.75" (steel decks)	3
	7115182864	Carriage Bolt, 0.50"-13NC x 3.5" (steel transporters)	
	7115181864	Carriage Bolt, 0.50"-13NC x 2.25" (aluminum decks)	
	7115183264	Carriage Bolt, 0.50"-13NC x 4.00" (aluminum transporters)	
6	7115181864	Carriage Bolt, 0.50"-13NC x 2.25" (steel decks)	1
	7115183264	Carriage Bolt, 0.50"-13NC x 4.00" (steel transporters)	
	7115182264	Carriage Bolt, 0.50"-13NC x 2.75" (aluminum decks)	
	7115183664	Capscrew, 0.50"-13NC x 4.50" (aluminum transporters)	
7	7950180153	Flatwasher, 0.50" ID	4
8	7660182601	Locknut, 0.50"-13NC	4
9	4062000318	Bar (transporters only)	2
10	7248000063	Cable, 0.38" dia x 56' (8,000lb winch)	1
	7248000064	Cable, 0.44" dia x 56' (10,000lb winch)	

# WORM GEAR WINCH

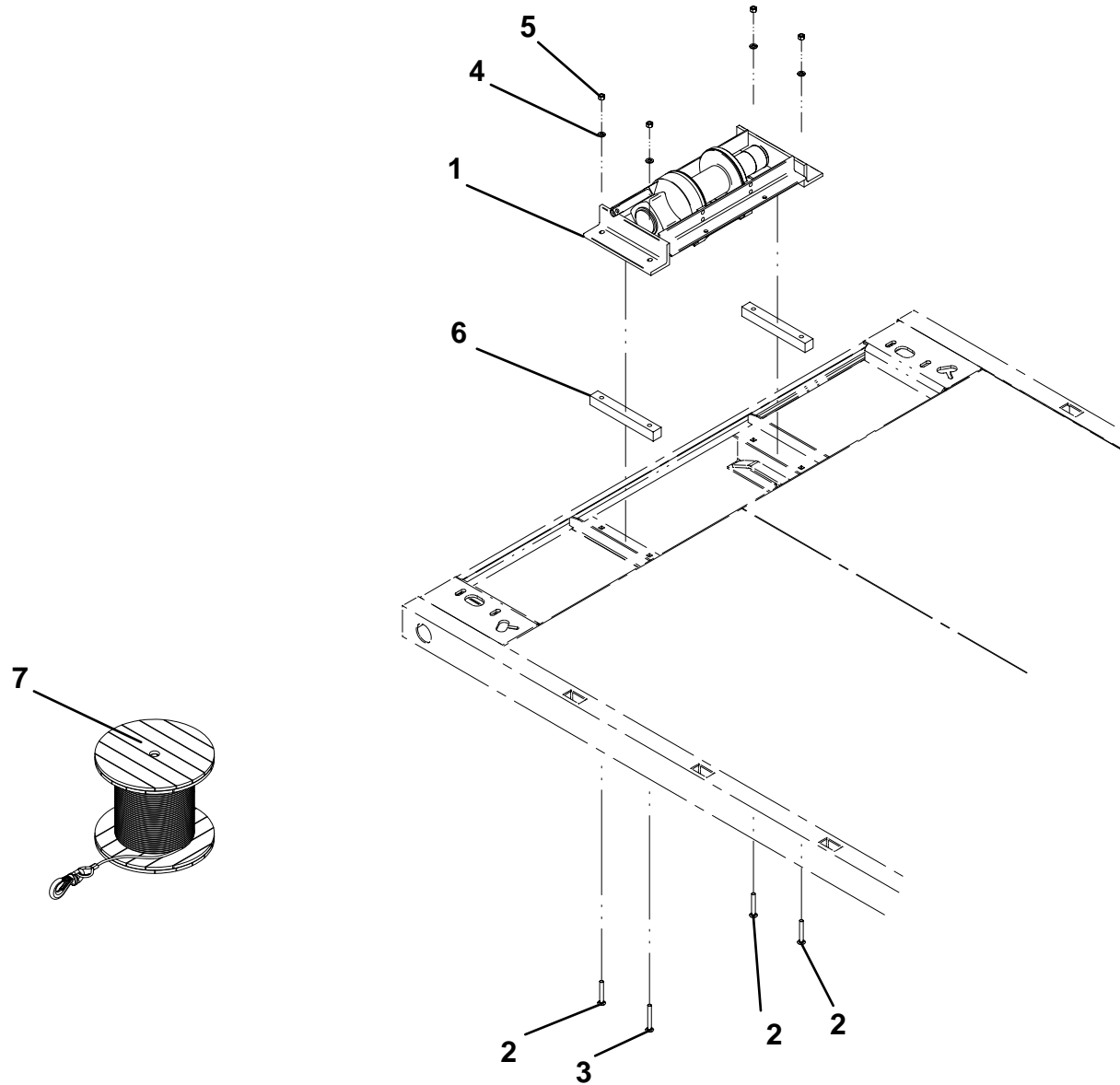


**PLANETARY GEAR WINCH**

ITEM	PART NO.	DESCRIPTION	QTY
1	7970000056	Winch - 8,000 lb. Planetary Gear (w/ std. remote free spool)	1
2	7115181464	Carriage Bolt, 0.50"-13NC x 1.75" (steel decks)	3
	7115182864	Carriage Bolt, 0.50"-13NC x 3.50" (steel transporters)	
	7115181864	Carriage Bolt, 0.50"-13NC x 2.25" (aluminum decks)	
	7115183264	Carriage Bolt, 0.50"-13NC x 4.00" (aluminum transporters)	
3	7115181864	Carriage Bolt, 0.50"-13NC x 2.25" (steel decks)	1
	7115183264	Carriage Bolt, 0.50"-13NC x 4.00" (steel transporters)	
	7115182264	Carriage Bolt, 0.50"-13NC x 2.75" (aluminum decks)	
	7115183664	Capscrew, 0.50"-13NC x 4.50" (aluminum transporters)	
4	7950180153	Flatwasher, 0.50" ID	4
5	7660182601	Locknut, 0.50"-13NC	4
6	4062000318	Bar (transporters only)	2
7	7248000063	Cable, 0.38" dia x 56'	1



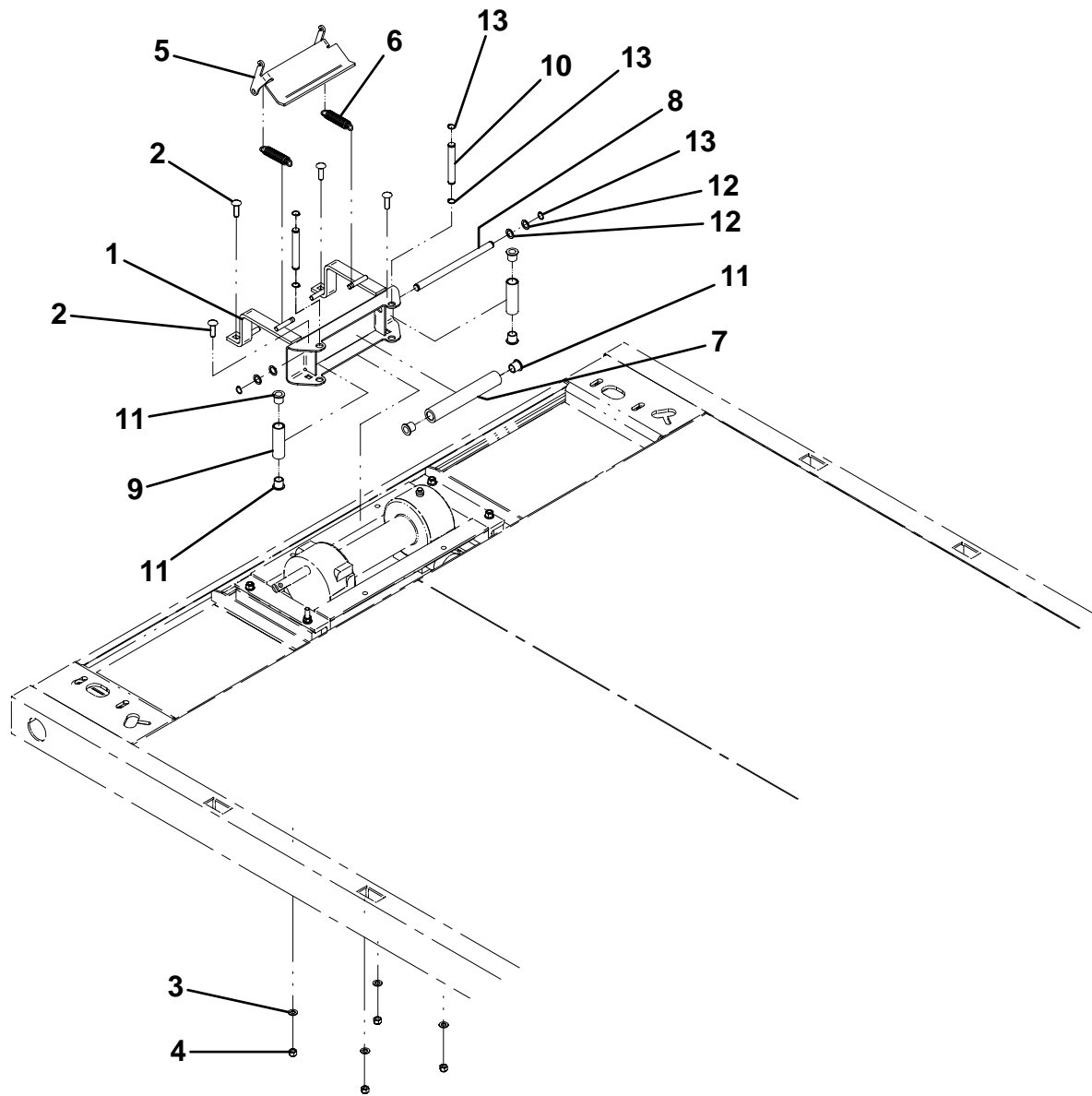
# PLANETARY GEAR WINCH



**WORM GEAR WINCH CABLE ROLLER GUIDE / TENSIONER PLATE**

ITEM	PART NO.	DESCRIPTION	QTY
1	3178000433*	Bracket Weld	1
2	7115181464	Carriage Bolt, 0.50"-13NC x 1.75"	4
3	7950180153	Flatwasher, 0.50" ID	4
4	7660182601	Locknut, 0.50"-13NC	4
5	4706003766	Plate	1
6	7843000035	Spring	2
7	4912000130*	Roller	1
8	4806000014*	Shaft	1
9	4912000394	Roller	2
10	4806000011*	Shaft	2
11	7209000011*	Bushing	6
12	7949000034*	Spacer	4
13	7754000022*	Retaining Ring	6

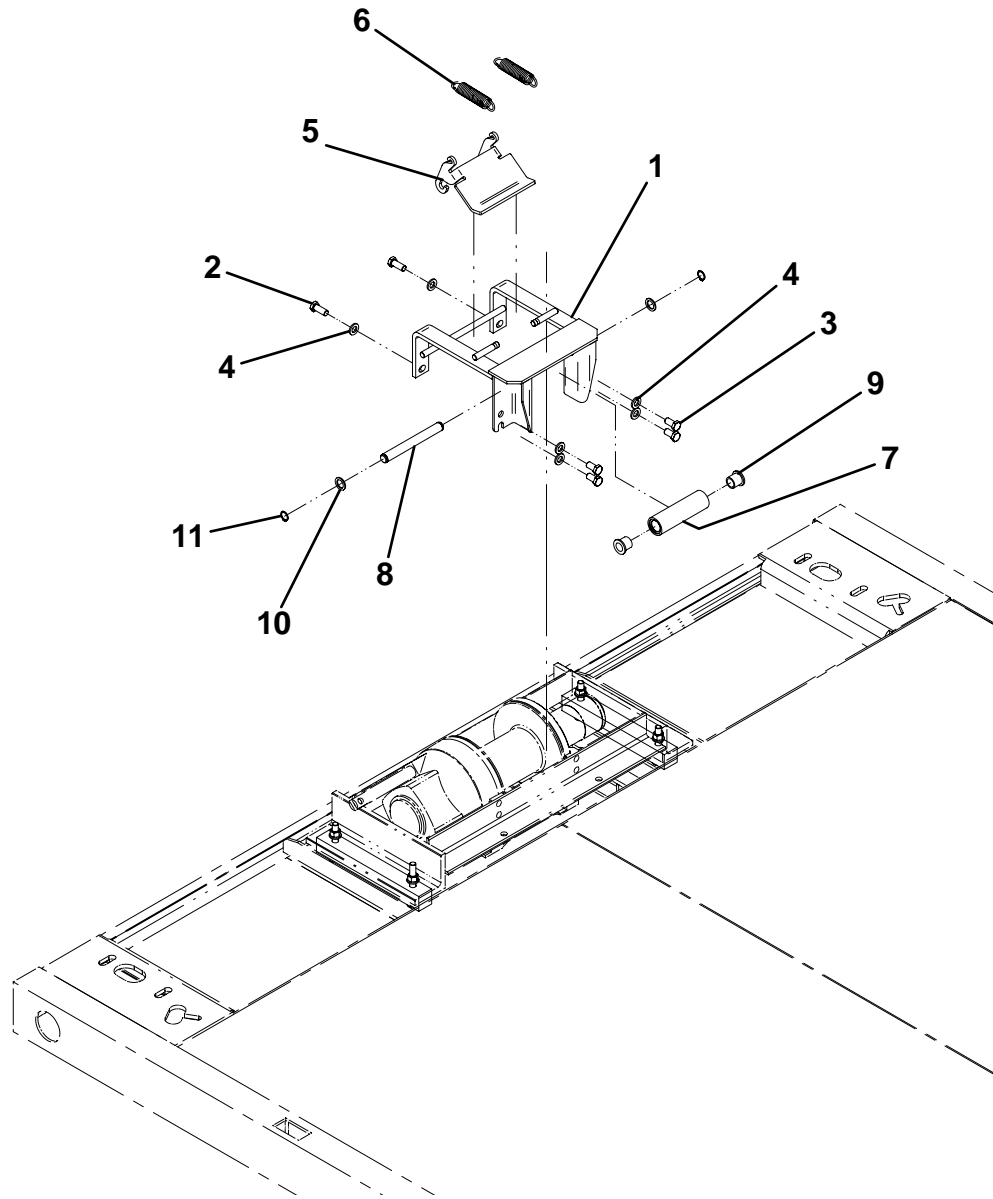
# WORM GEAR WINCH CABLE ROLLER GUIDE / TENSIONER PLATE



**PLANETARY GEAR WINCH CABLE ROLLER GUIDE / TENSIONER PLATE**

ITEM	PART NO.	DESCRIPTION	QTY
1	3178000347	Bracket Weld	1
2	7115181050	Capscrew, 0.50"-13NC x 1.25"	2
3	7115180850	Capscrew, 0.50"-13NC x 1.00"	4
4	7950180153	Flatwasher, 0.50" ID	6
5	4706003792	Plate	1
6	7843000035	Spring	2
7	4912000345*	Roller	1
8	4691000421*	Shaft	1
9	7209000011*	Bushing	2
10	7949000034*	Spacer	2
11	7754000022*	Retaining Ring	2

# PLANETARY GEAR WINCH CABLE ROLLER GUIDE / TENSIONER PLATE



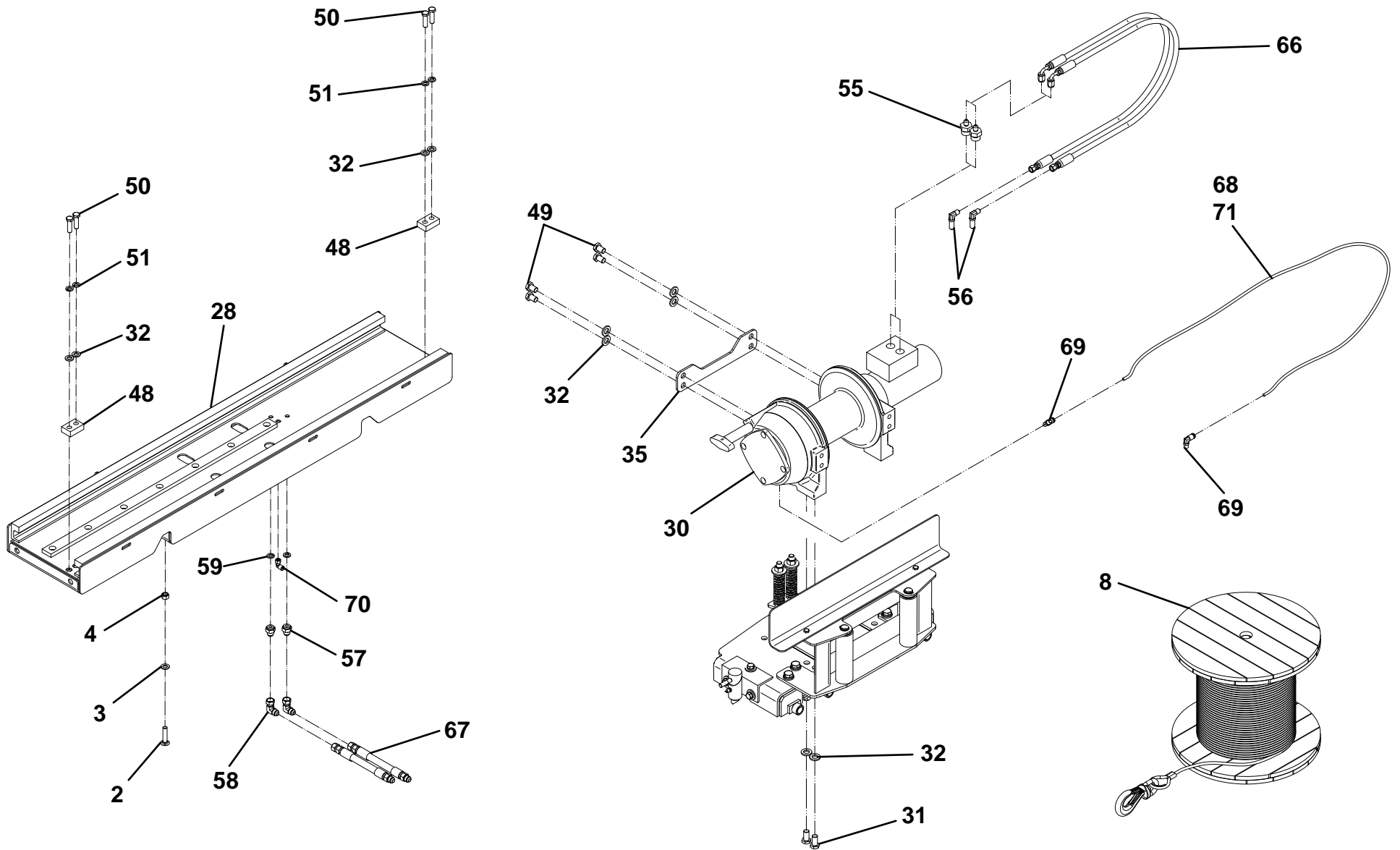
**PLANETARY GEAR WINCH CABLE ROLLER GUIDE / TENSIONER PLATE**

ITEM	PART NO.	DESCRIPTION	QTY	ITEM	PART NO.	DESCRIPTION	QTY
<b>Sliding Winch Kit -1001142545</b>				<b>Sliding Winch Assy -1001142543</b>			
1	1001142543*	Sliding Winch Assembly	1	28	1001144486	Sliding Winch, Base	1
2	1001138522	Bolt, 0.50"-13NC x 2.25"	4	29	1001144491	Sliding Winch, Slide	1
3	7950180153	Flatwasher, 0.50" ID	4	30	7970000166	Winch, Air Freespool	1
4	7660182601	Locknut, 0.50"-13NC	4		7970000158	Winch, Manual Freespool	
5	1001145934*	Sliding Winch, HLF Kit	1	31	7115180850	Capscrew, 0.50"-13NC x 1.00"	8
6	1001146028*	Accessory Handle	1	32	7950180153	Flatwasher, 0.50" ID	20
7	1001145935*	Air Freespool, Kit	1	33	440287	Bearing	12
8	7248000064	Wire Rope, 0.44" x 56' w/ Swivel Hook	1	34	3321701	Nut, 0.437"-20NC	12
				35	1001142550	Plate	1
<b>Cam Lock Assy -1001144498</b>				36	1001142461	Tensioner	1
9	1001144499	Cam Weldment	1	37	1001137970	Bolt, 0.50"-13NC x 4.50"	1
10	4254000005	Cap	1	38	7660182601	Locknut, 0.50"-13NC	3
11	4691000186	Pin	1	39	1001142553	Rod	2
12	4763000184	Rod	1	40	7660180001	Nut, 0.50"-13NC	2
13	7843000006	Spring	1	41	7843000004	Spring	2
14	7440030000	Grease Fitting	1	42	7950180161	Flatwasher, 0.50" ID	2
15	7253000002	Grease Fitting Cap	1	43	1001145780*	Roller Guide Assembly	1
				44	1001144498*	Cam Lock	1
<b>Roller Guide Assy -1001145780</b>				45	1001138546	Bolt, 0.38"-16NC x 1.00"	3
16	1001145636	Mount	1	46	7950160000	Lockwasher, 0.38" ID	3
17	4912000345	Tube	2	47	7950160162	Flatwasher, 0.38" ID	3
18	4691000421	Pin	2	48	1001144543	Stop Block	2
19	4912000130	Tube	2	49	7115180650	Capscrew, 0.50"-13NC x 0.75"	4
20	4806000014	Shaft	2	50	1001139199	Bolt, 0.50"-13NC x 1.75"	4
21	7209000011	Bushing	8	51	7950180000	Lockwasher, 0.59" ID	8
22	7949000034	Spacer	8	52	1001139343	Bolt, 0.50"-13NC x 1.25"	4
23	7754000022	Retaining Ring	8	53	1001142962	Decal	2
24	1001150704	Plate	1				
25	7115140650	Capscrew, 0.25"-20NC x 0.75"	2	<b>Sliding Winch HLF -1001145934</b>			
26	7660140001	Nut, 0.25"-20NC	2	54	1001145963*	Hose Kit	1
27	7950140143	Flatwasher, 0.25" ID	2	55	7445041043	Adapter	2
				56	7445040431	Elbow	2
				57	1001144448	Adapter	2
				58	7445080872	Elbow	2
				59	7950170000	Lockwasher, 0.44" ID	2

## PLANETARY GEAR WINCH CABLE ROLLER GUIDE / TENSIONER PLATE

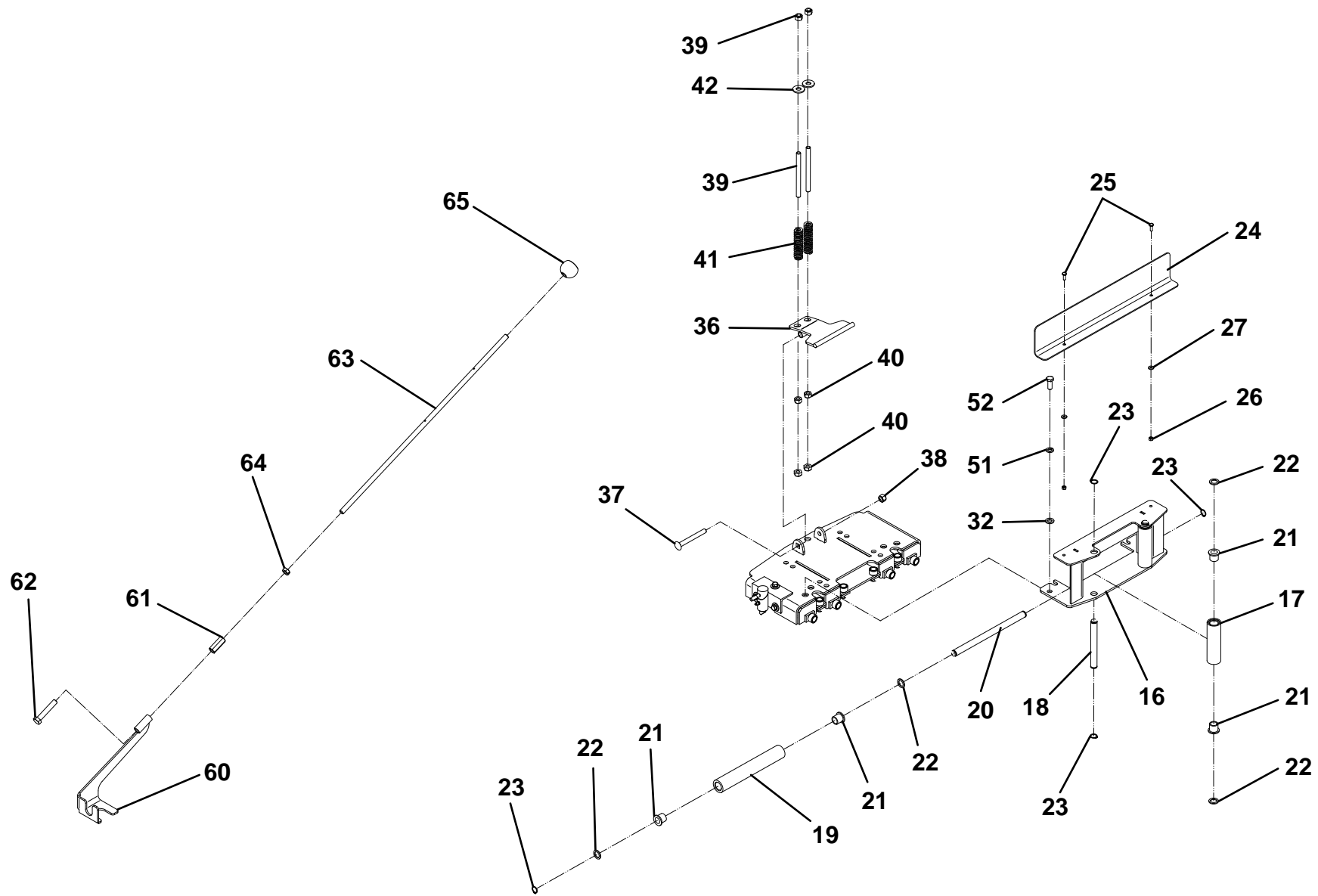
ITEM	PART NO.	DESCRIPTION	QTY
<b>Sliding Winch Handle -1001146028</b>			
60	1001146029	Handle	1
61	1001146027	Nut, 0.50"-20NC	1
62	651822	Capscrew, 0.50"-20NC x 2.75"	1
63	4763000348	Rod	1
64	7660180234	Nut, 0.50"-20NF	1
65	7551000017	Knob	1
<b>Hose Kit -1001145963</b>			
66	1001145987	Hose Assembly	1
67	1001145980	Hose Assembly	2
<b>Sliding Winch Air Freespool</b>			
68	8597650001	Loom	1.5ft
69	7443000173	Fitting	2
70	1001127985	Adapter	1
71	7565000016	Airline	5ft

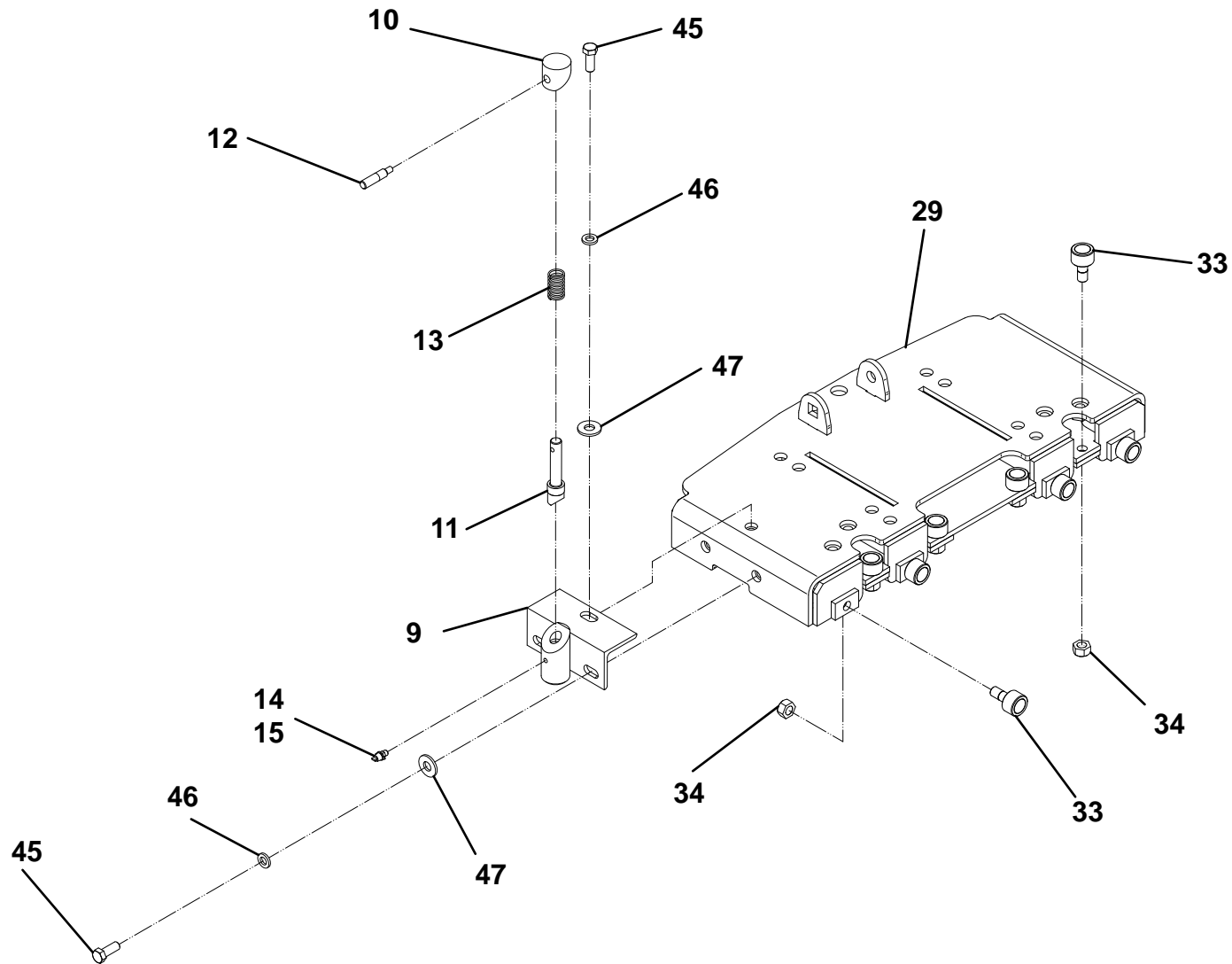
\* Part Numbers Sold As Kits. See Breakdowns For Kit Parts

**PLANETARY GEAR WINCH CABLE ROLLER GUIDE / TENSIONER PLATE**



# PLANETARY GEAR WINCH CABLE ROLLER GUIDE / TENSIONER PLATE



**PLANETARY GEAR WINCH CABLE ROLLER GUIDE / TENSIONER PLATE**

**PLANETARY GEAR WINCH CABLE ROLLER GUIDE / TENSIONER PLATE**

**THIS PAGE INTENTIONALLY LEFT BLANK**

**MANUAL REMOTE FREE SPOOL - BOLT-ON HEADBOARD**

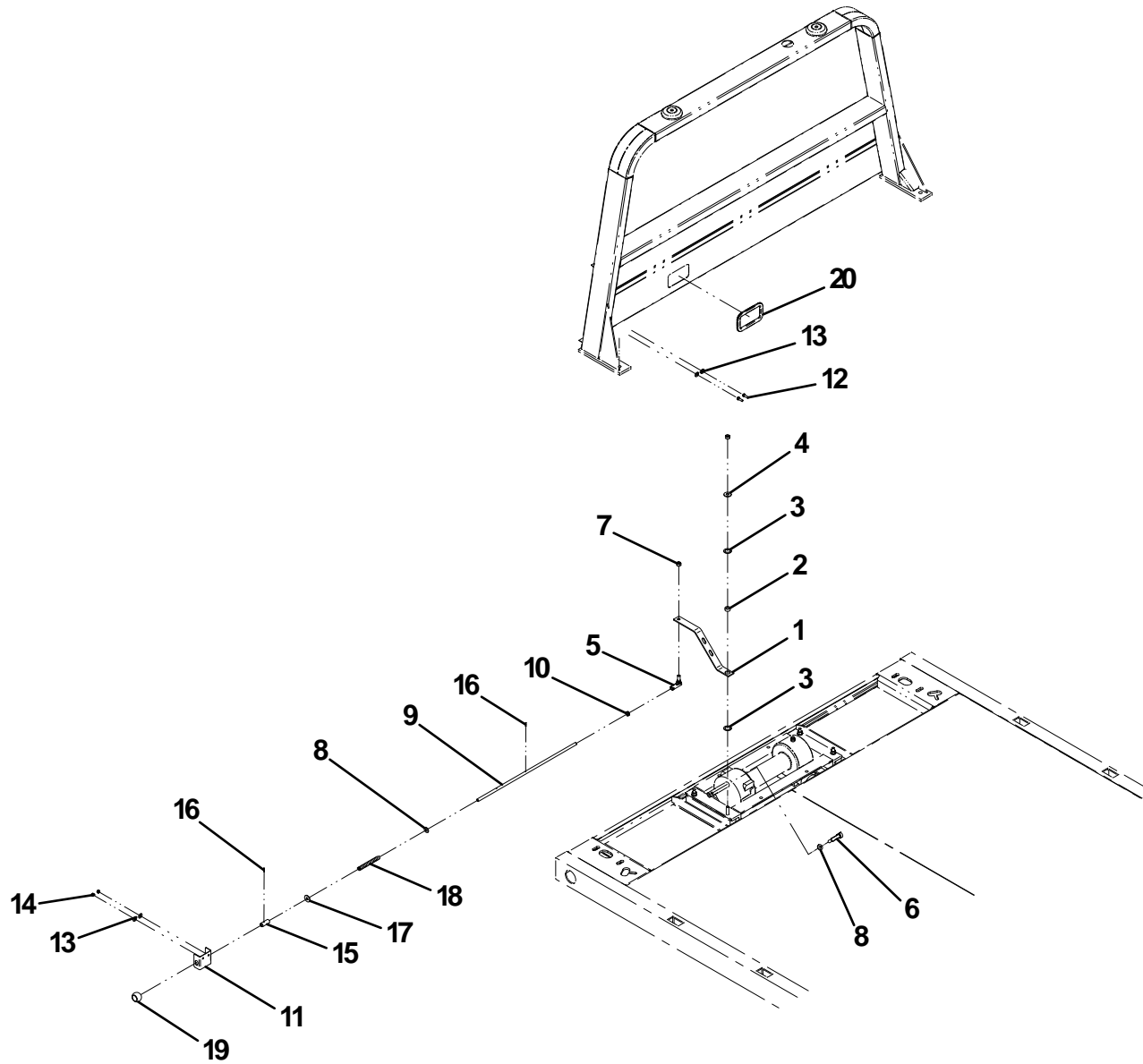
ITEM	PART NO.	DESCRIPTION	QTY
1	4587000004*	Lever	1
2	4209000328*	Bushing	1
3	7082000010*	Nylon Washer	2
4	7950180161*	Flatwasher, 0.50" ID	1
5	7309000002*	Coupling	1
6	7691000046*	Clevis Pin	1
7	7660182631*	Locknut, 0.50"-20NF	1
8	7950180143*	Flatwasher, 0.50" ID	2
9	4763000348*	Rod	1
10	7660180234*	Nut, 0.50"-20NF	1
11	4178000673*	Bracket	1
12	7115150850*	Capscrew, 0.31"-18NC x 1.00"	2
13	7950150161*	Flatwasher, 0.31" ID	4
14	7660152601*	Locknut, 0.31"-18NC	2
15	4209000147*	Bushing (worm gear winch)	1
	4209000145*	Bushing (planetary gear winch)	
16	7690051274*	Pin	2
17	7949000030*	Nylon Washer	1
18	7843000027*	Spring	1
19	7551000017*	Knob	1
20	4632000009*	Trim Lok	1

\*also available in complete Remote Free Spool Installation:

P/N 2970000021 for 8,000 / 10,000 lb. worm gear winch

P/N 2970000019 for 8,000 lb. planetary gear winch

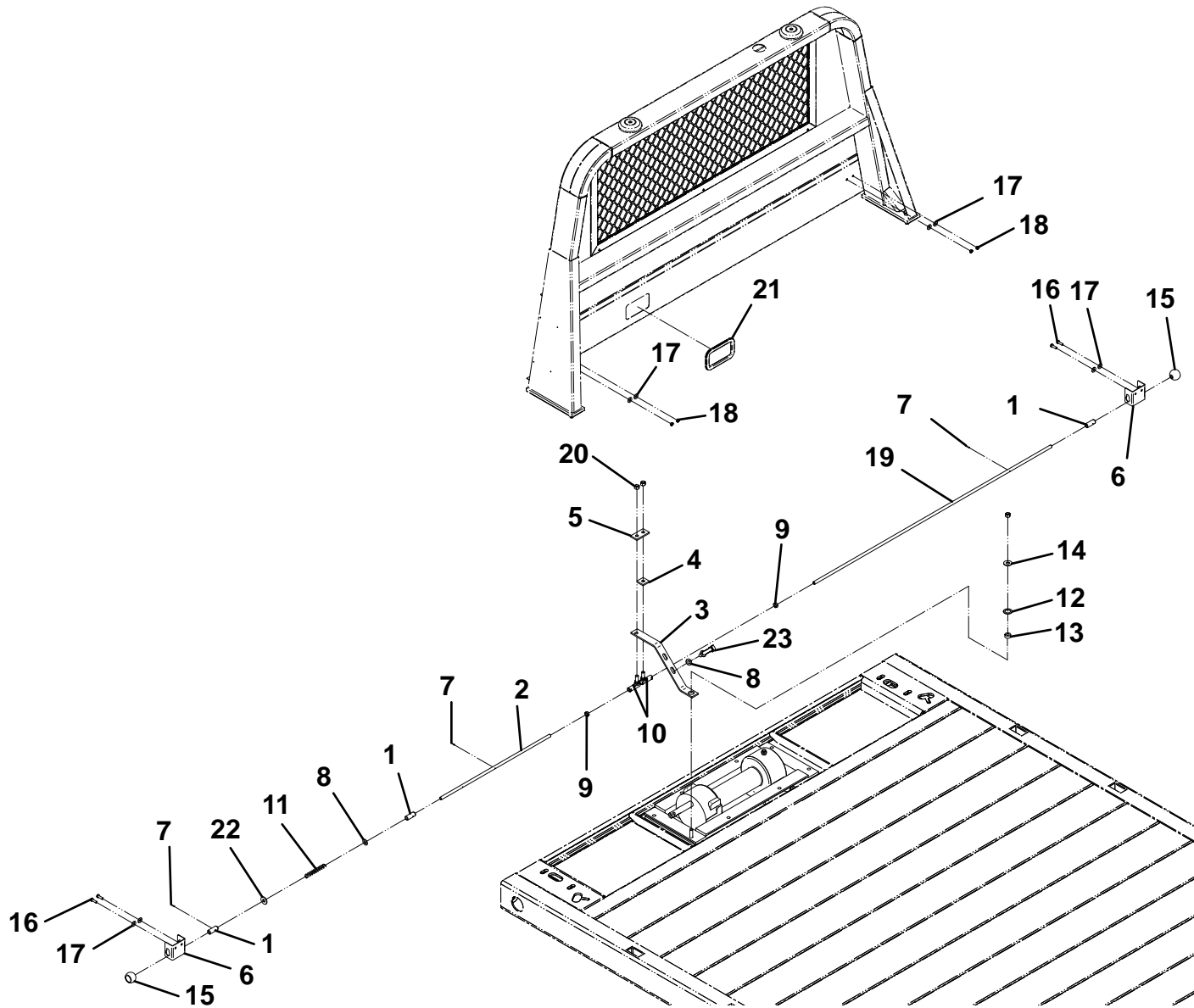
# MANUAL REMOTE FREE SPOOL - BOLT-ON HEADBOARD



**DUAL MANUAL REMOTE FREE SPOOL - BOLT-ON HEADBOARD**

ITEM	PART NO.	DESCRIPTION	QTY
1	4209000147	Bushing	3
2	4763000348	Rod, 26.56"	1
3	4587000004	Bracket	1
4	1001156246	Bar	1
5	1001156247	Bar	1
6	1001156245	Bracket	2
7	7690051274	Pin	3
8	7950180143	Flatwasher, 0.50" ID	2
9	7660180234	Nut, 0.50"-20NF	2
10	7309000002	Ball Joint	2
11	1001156249	Spring	1
12	7082000010	Washer, 1.00" ID	1
13	4209000146	Bushing	1
14	7950180161	Flatwasher, 0.50" ID	1
15	7551000017	Knob	2
16	7115150850	Capscrew, 0.31"-18NC x 1.00"	4
17	7950150161	Flatwasher, 0.31" ID	8
18	7660152601	Locknut, 0.31"-18NC	4
19	1001156248	Rod, 57.50"	1
20	7660182631	Locknut, 0.50"-20NF	2
21	4632000009	Trim	1
22	7949000030	Washer, 0.53" ID	1
23	7691000046	Pin	1

# DUAL MANUAL REMOTE FREE SPOOL - BOLT-ON HEADBOARD



**MANUAL REMOTE FREE SPOOL - STATIONARY HEADBOARD**

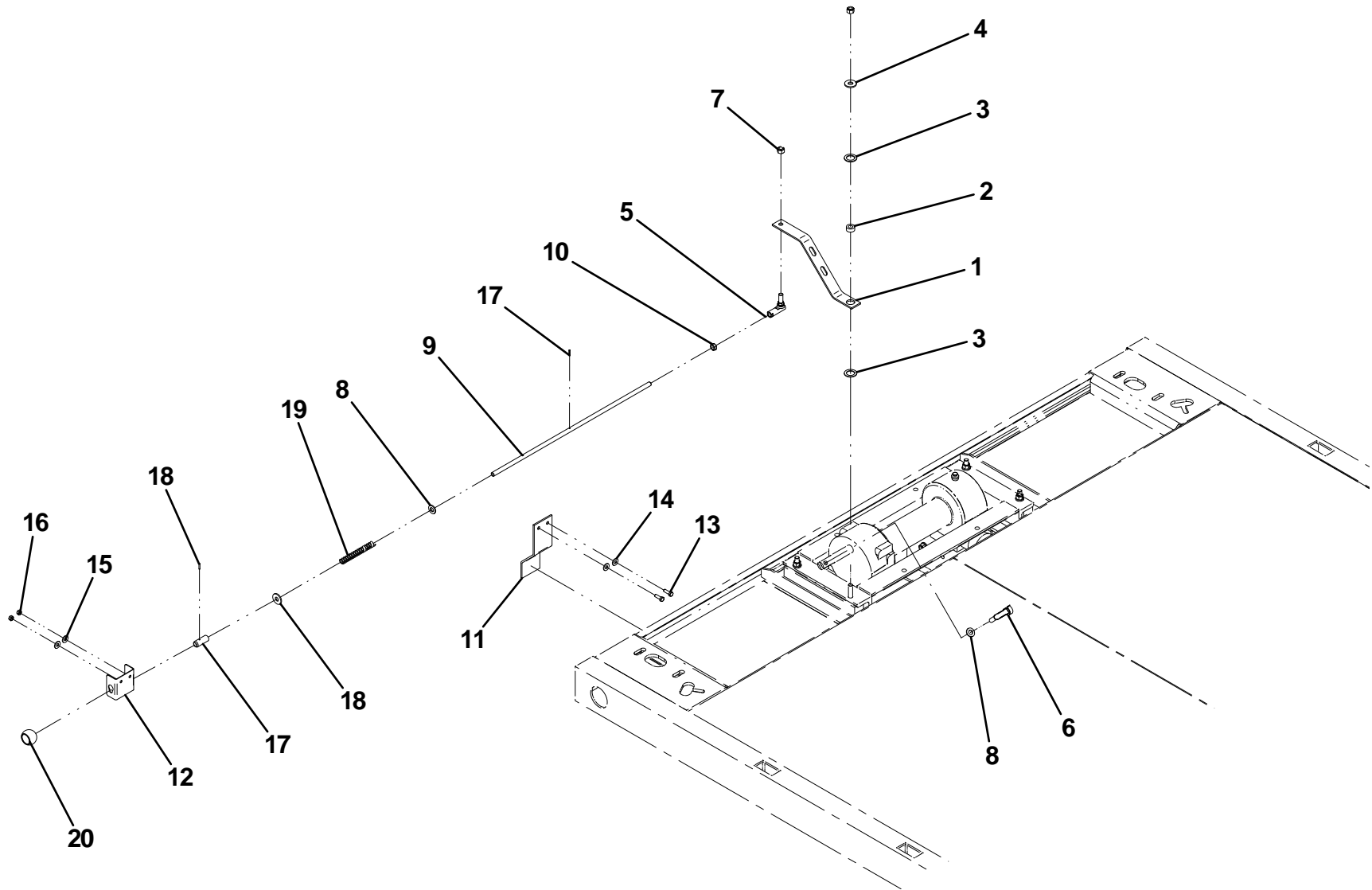
ITEM	PART NO.	DESCRIPTION	QTY
1	4587000005*#	Lever	1
2	4209000328*#	Bushing	1
3	7082000010*#	Nylon Washer	2
4	7950180161*#	Flatwasher, 0.50" ID	1
5	7309000002*#	Coupling	1
6	7691000046*#	Clevis Pin	1
7	7660182631*#	Locknut, 0.50"-20NF	1
8	7950180143*#	Flatwasher, 0.50" ID	2
9	4763000348*#	Rod	1
10	7660180234*#	Nut, 0.50"-20NF	1
11	4178000674*	Bracket (steel decks)	1
	4017001499#	Bracket (aluminum decks)	
12	4178000673*#	Bracket	1
13	7115150850*#	Capscrew, 0.31"-18NC x 1.00"	4
14	7950150161*#	Flatwasher, 0.31" ID	8
15	7660152601*#	Locknut, 0.31"-18NC	4
16	4209000147*#	Bushing (worm gear winch)	1
	4209000145*#	Bushing (planetary gear winch)	
17	7690051274*#	Pin	2
18	7949000030*#	Nylon Washer	1
19	7843000027*#	Spring	1
20	7551000017*#	Knob	1

\*also available in complete Remote Free Spool Installation-aluminum deck:  
P/N 2970000053 for 8,000 / 10,000 lb. worm gear winch  
P/N 2970000051 for 8,000 lb. planetary gear winch

\*also available in complete Remote Free Spool Installation-steel deck:  
P/N 2970000052 for 8,000 / 10,000 lb. worm gear winch  
P/N 2970000050 for 8,000 lb. planetary gear winch



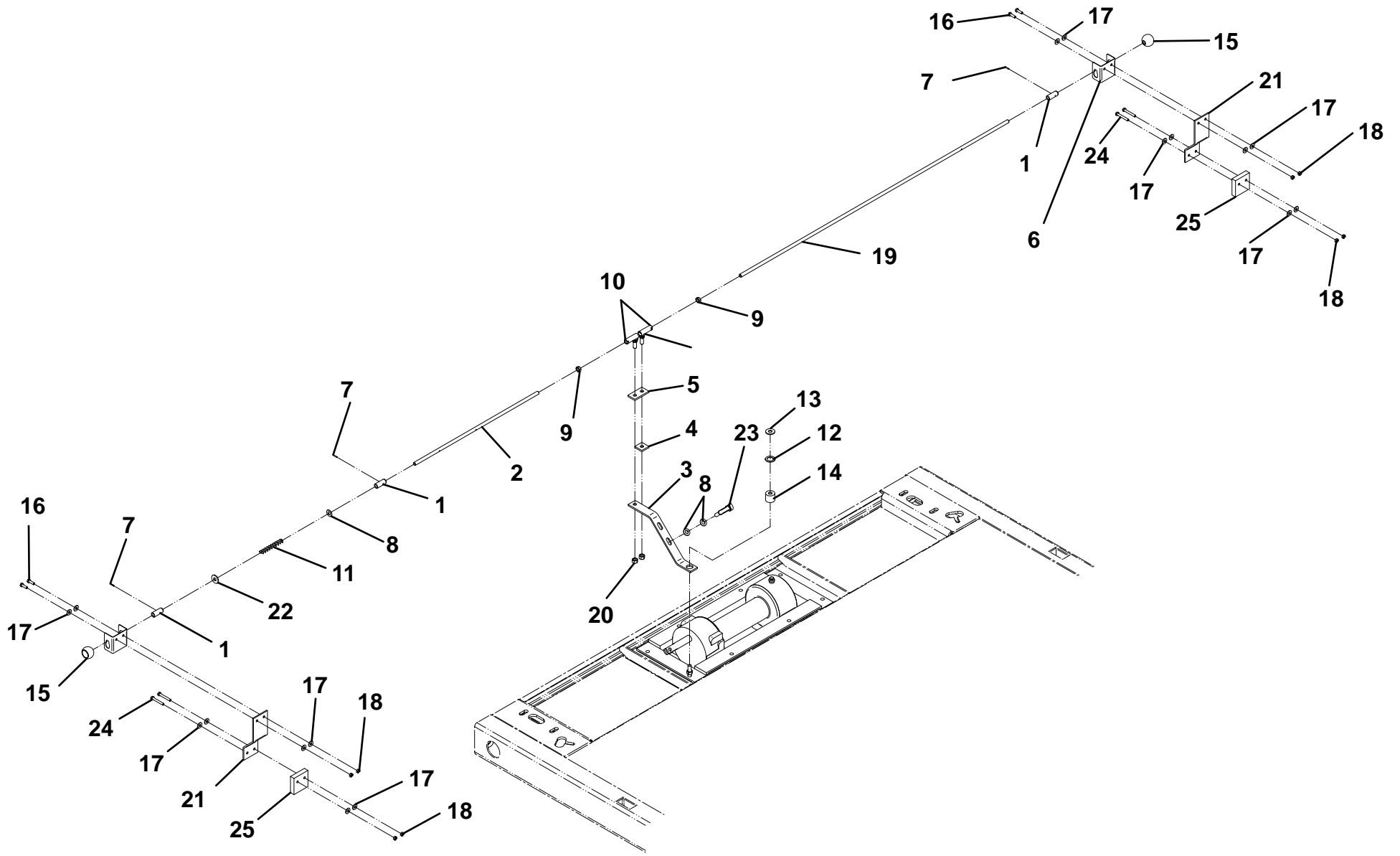
# MANUAL REMOTE FREE SPOOL - STATIONARY HEADBOARD



**DUAL MANUAL REMOTE FREE SPOOL - STATIONARY HEADBOARD**

ITEM	PART NO.	DESCRIPTION	QTY
1	4209000147	Bushing	3
2	4763000348	Rod, 26.56"	1
3	4587000005	Bracket	1
4	1001156246	Bar	1
5	1001156247	Bar	1
6	1001156245	Bracket	2
7	7690051274	Pin	3
8	7950180143	Flatwasher, 0.50" ID	2
9	7660180234	Nut, 0.50"-20NF	2
10	7309000002	Coupling	2
11	1001156249	Spring	1
12	7082000010	Washer, 1.00" ID	1
13	4209000146	Bushing	1
14	7950180161	Flatwasher, 0.50" ID	1
15	7551000017	Knob	2
16	7115150850	Capscrew, 0.31"-18NC x 1.00"	4
17	7950150161	Flatwasher, 0.31" ID	16
18	7660152601	Locknut, 0.31"-18NC	8
19	1001156248	Rod, 57.50"	1
20	7660182631	Locknut, 0.50"-20NF	2
21	4178000674	Bracket	2
22	7949000030	Washer, 0.53" ID	1
23	7691000046	Pin	1
24	7115151850	Capscrew, 0.31"-18NC x 2.25"	4
25	4679000208	Pad	2

# DUAL MANUAL REMOTE FREE SPOOL - STATIONARY HEADBOARD

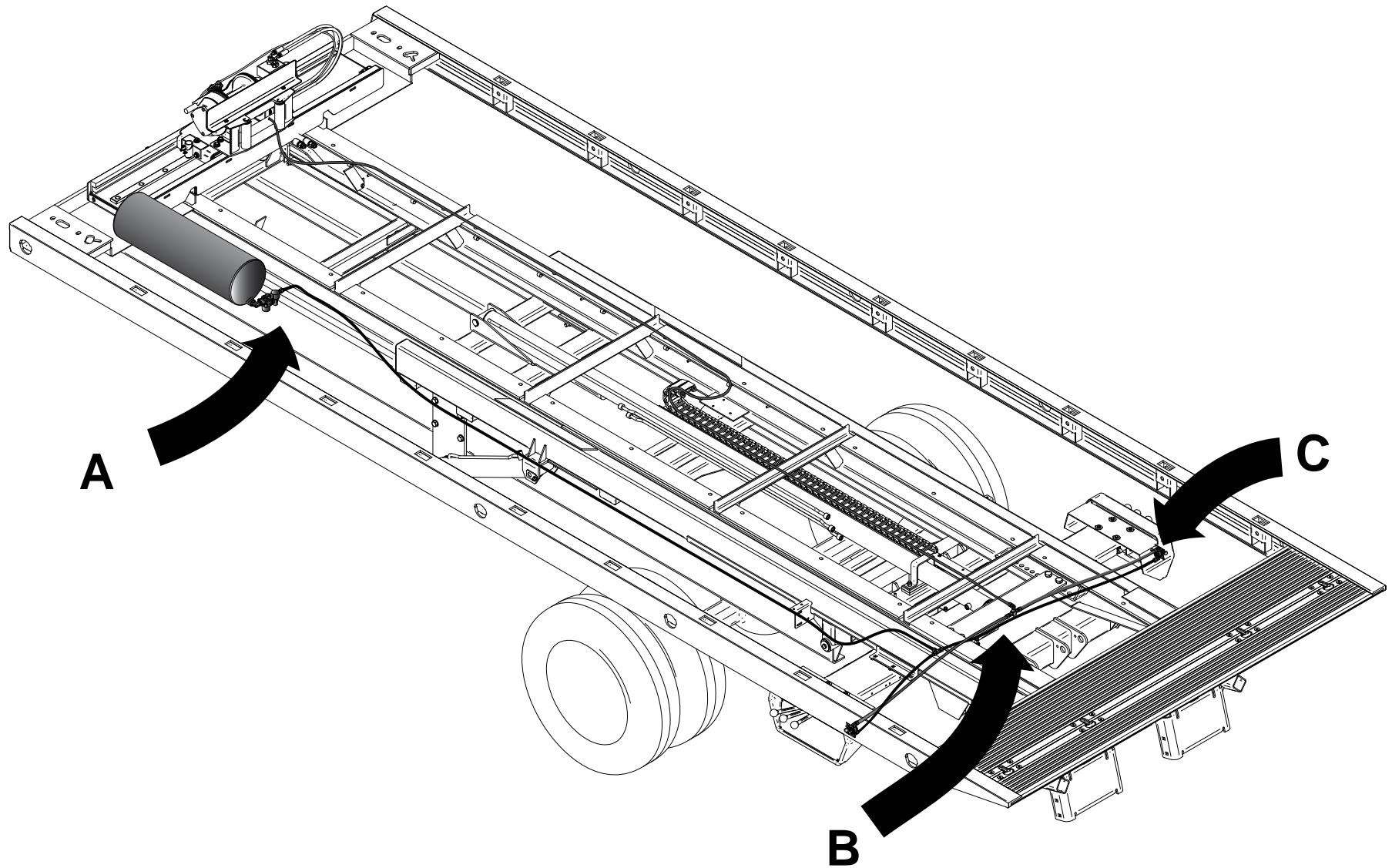


**MANUAL REMOTE AIR FREE SPOOL**

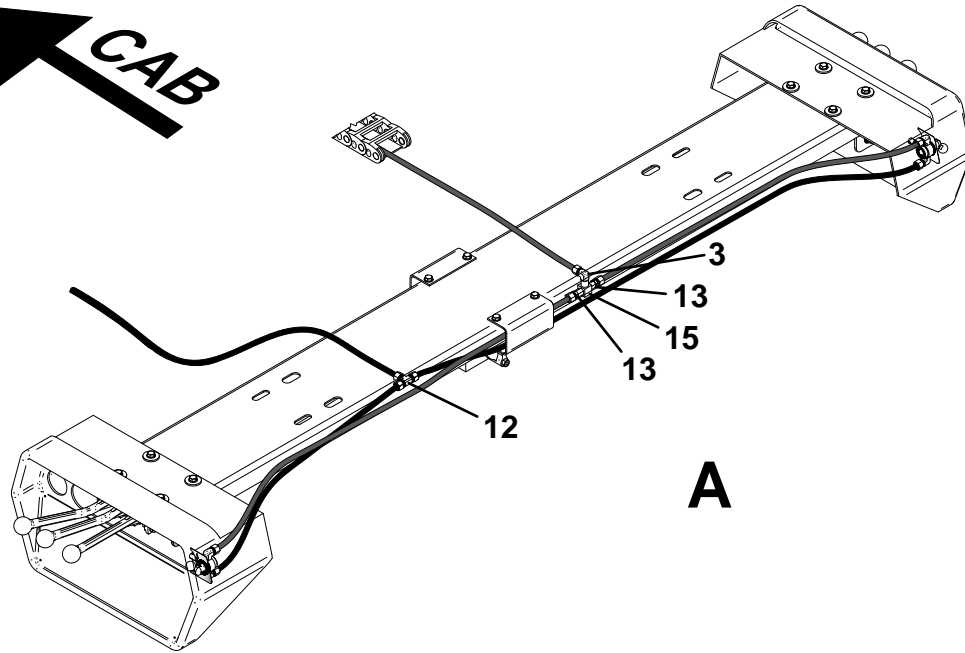
ITEM	PART NO.	DESCRIPTION	QTY
1	7565000014	Airline Tubing	*
2	7935000182	Air Valve	2
3	7443000364	Fitting	5
4	7640000002	Air Exhaust Muffler	2
5	7443000154	Fitting	1
6	7443000155	Fitting	1
7	7443000156	Nipple	2
8	7935000120	Pressure Protection Valve	1
9	7443000152	Plug	1
10	7443000366	Fitting	1
11	7935000248	Air Regulator	1
12	7443000371	Tee	1
13	7443000365	Fitting	2
14	8597650001	Loom	*
15	7935000229	Shuttle Valve	1
16	7894000004	Tie Strap	*
17	7330000675	Decal LH	1
18	7330000676	Decal RH	1
19	7443000443	Union	1
20	7565000016	Airline Tubing	*

\*- Quantity varies depending on deck length and chassis

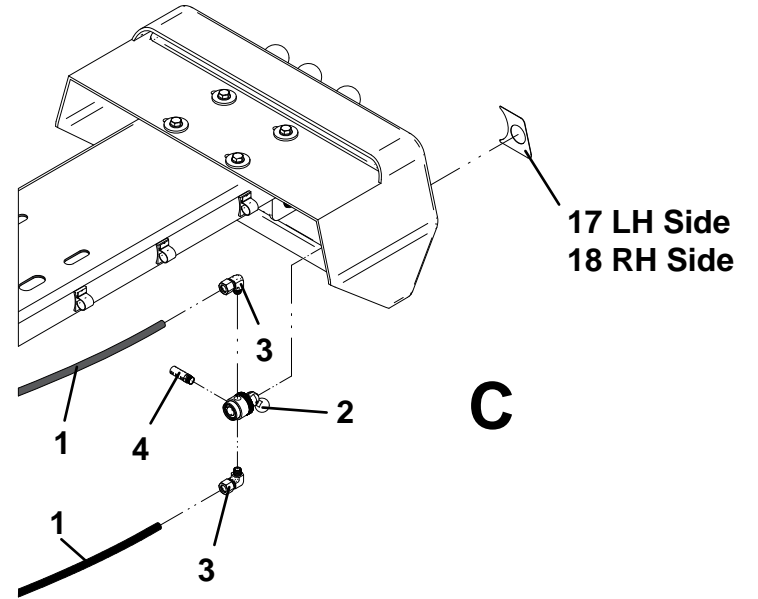
# MANUAL REMOTE AIR FREE SPOOL



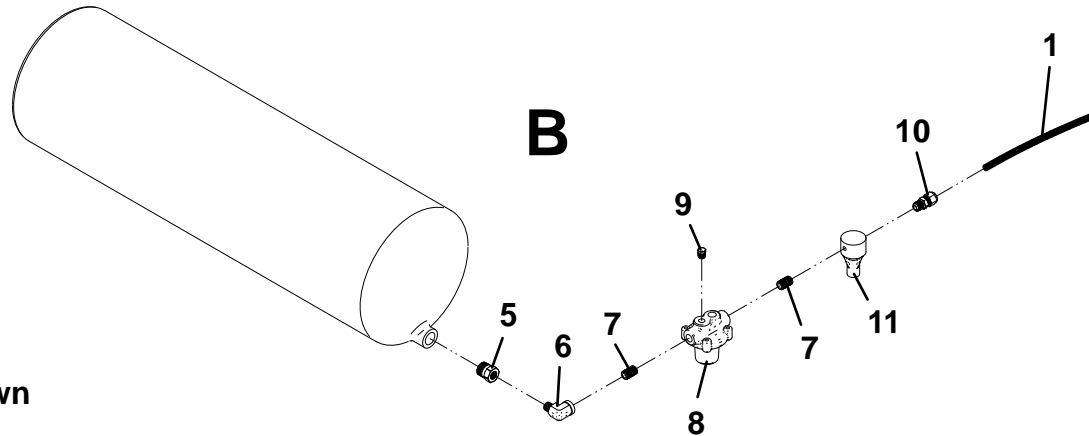
**MANUAL REMOTE AIR FREE SPOOL**



**A**



**C**



**B**

#14, 16, 19 & 20 Not Shown

**MANUAL REMOTE AIR FREE SPOOL**

**THIS PAGE INTENTIONALLY LEFT BLANK**

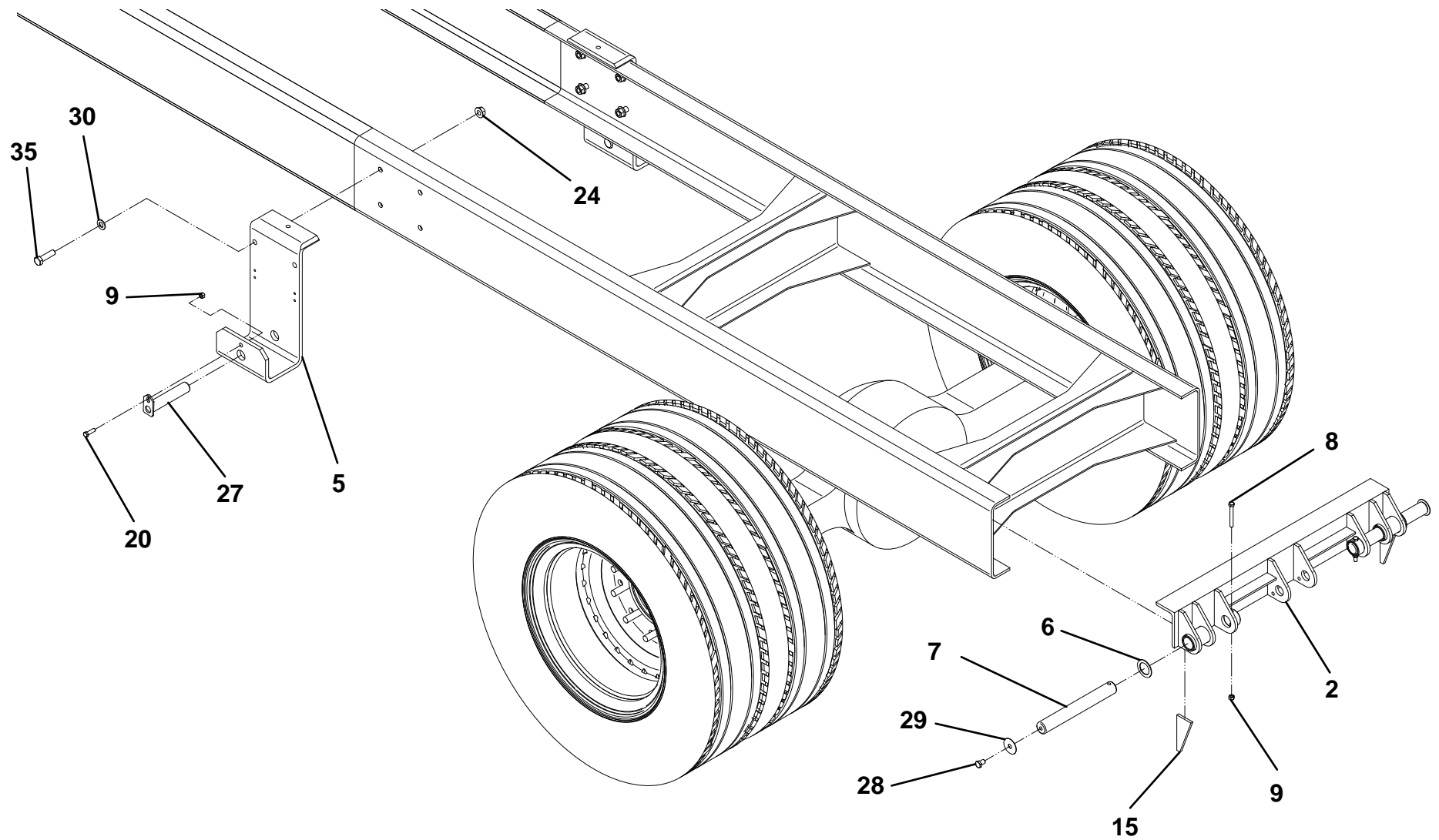
**SUBFRAME (OUTBOARD TILT CYLINDERS)**

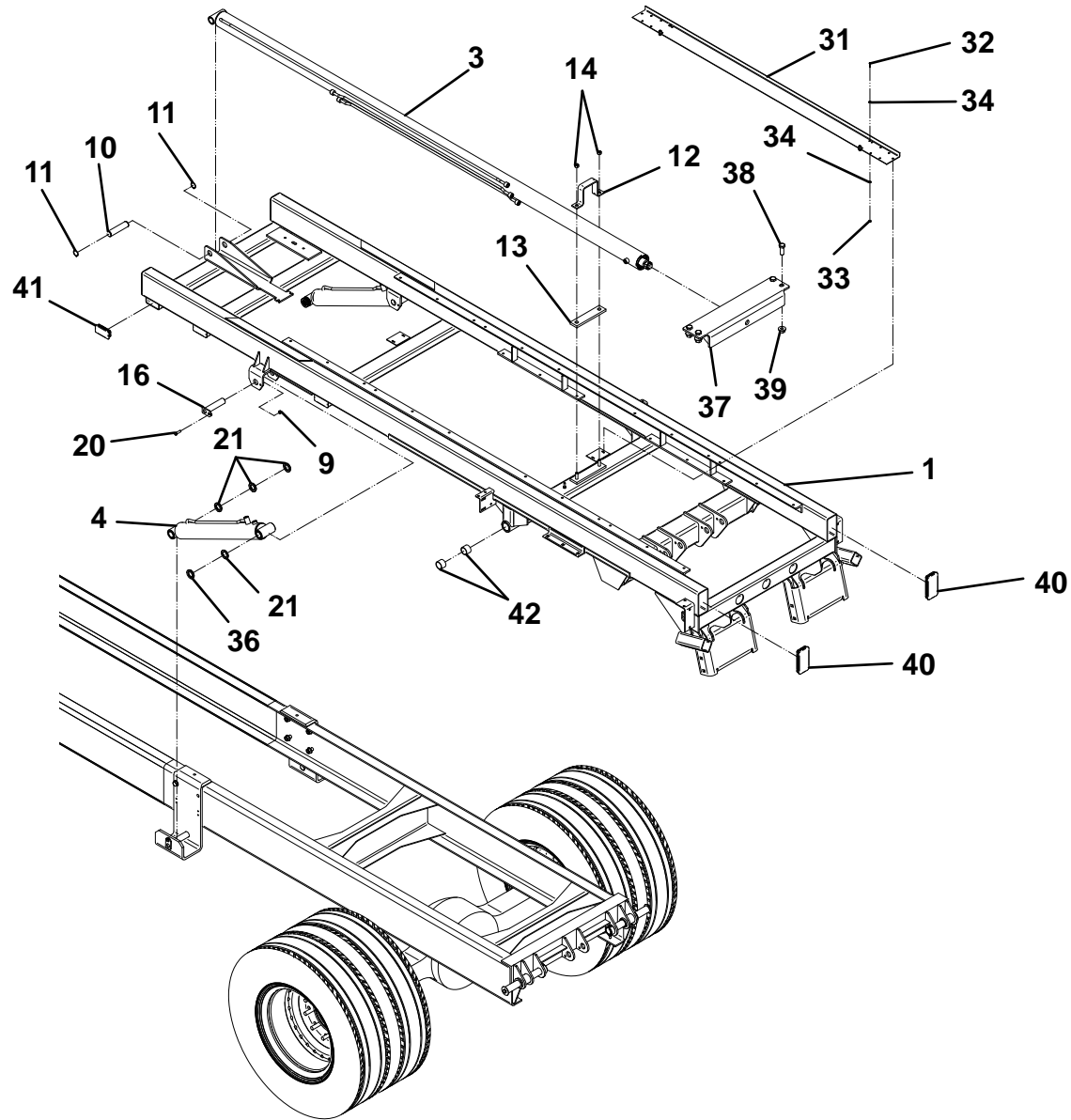
ITEM	PART NO.	DESCRIPTION	QTY	ITEM	PART NO.	DESCRIPTION	QTY
1	1001131644	Subframe - Standard	1	39	7660222308	Locknut, 0.75"-10NC	4
	1001134510	Subframe - Galvanized		40	7701000048	Plug	4
2	3905000012	Trunnion Weld	1	41	7701000051	Plug	6
3	3320000236	Cylinder	1	42	7082000017	Bearing	4
4	3320000122	Cylinder	2	43	3558000013	Hold Down Weldment	1
5	4178000805	Saddle Bracket	2	44	4679000153	Pad	2
6	7949000008	Washer, 2.25" OD x 1.52" ID	2	45	7118161026	Capscrew, 0.38"-16NC x 1.25"	6
7	4691000573	Pin	2	46	4679000221	Pad	2
8	7115162450	Capscrew, 0.38"-16NC x 3.00"	2	47	4812000071	Shim	2
9	7660162601	Locknut, 0.38"-16NC	12	48	4812000072	Shim	2
10	4691000429	Pin	1	49	7114151218	Capscrew, 0.31"-18NC x 1.50"	4
11	7754000006	Retaining Ring	2	50	7660152601	Locknut, 0.31"-18NC	4
12	4178000367	Bracket	1				
13	4679000151	Wear Pad	1				
14	7660182601	Locknut, 0.50"-13NC	2				
15	4497000358	Gusset	2				
16	3691000166	Pin	2				
17	7105181650	Capscrew, 0.50"-20NF x 2.00"	8				
18	7950180153	Flatwasher, 0.50" ID	8				
19	7660182333	Locknut, 0.50"-20NF	8				
20	7115161050	Capscrew, 0.38"-16NC x 1.25"	4				
21	4209000337	Bushing	8				
22	7274000046	Clamp	2				
23	7105202250	Capscrew, 0.63"-18NF x 2.75"	4				
24	7660202347	Locknut, 0.63"-18NF	12				
25	4017001271	Bracket	2				
26	7701000063	Plug	4				
27	3691000273	Pin	2				
28	7115180650	Capscrew, 0.50"-13NC x 0.75"	2				
29	7949000072	Washer, 2.00" OD x 0.50 ID	2				
30	7950200242	Flatwasher, 0.63" ID	8				
31	4706005958	Plate	1				
32	7114100818	Capscrew, #10 -24NC x 1.00"	4				
33	7660102604	Locknut, #10-24UNC	4				
34	7950100151	Flatwasher, 0.19" ID	8				
35	7105201850	Capscrew, 0.63"-18NF x 2.25"	8				
36	4209000358	Bushing	2				
37	3017000103	Roll Cylinder Angle	1				
38	7115221650	Capscrew, 0.75"-10NC x 2.00"	4				

\*included in Hold Down Weld, P/N 3558000014

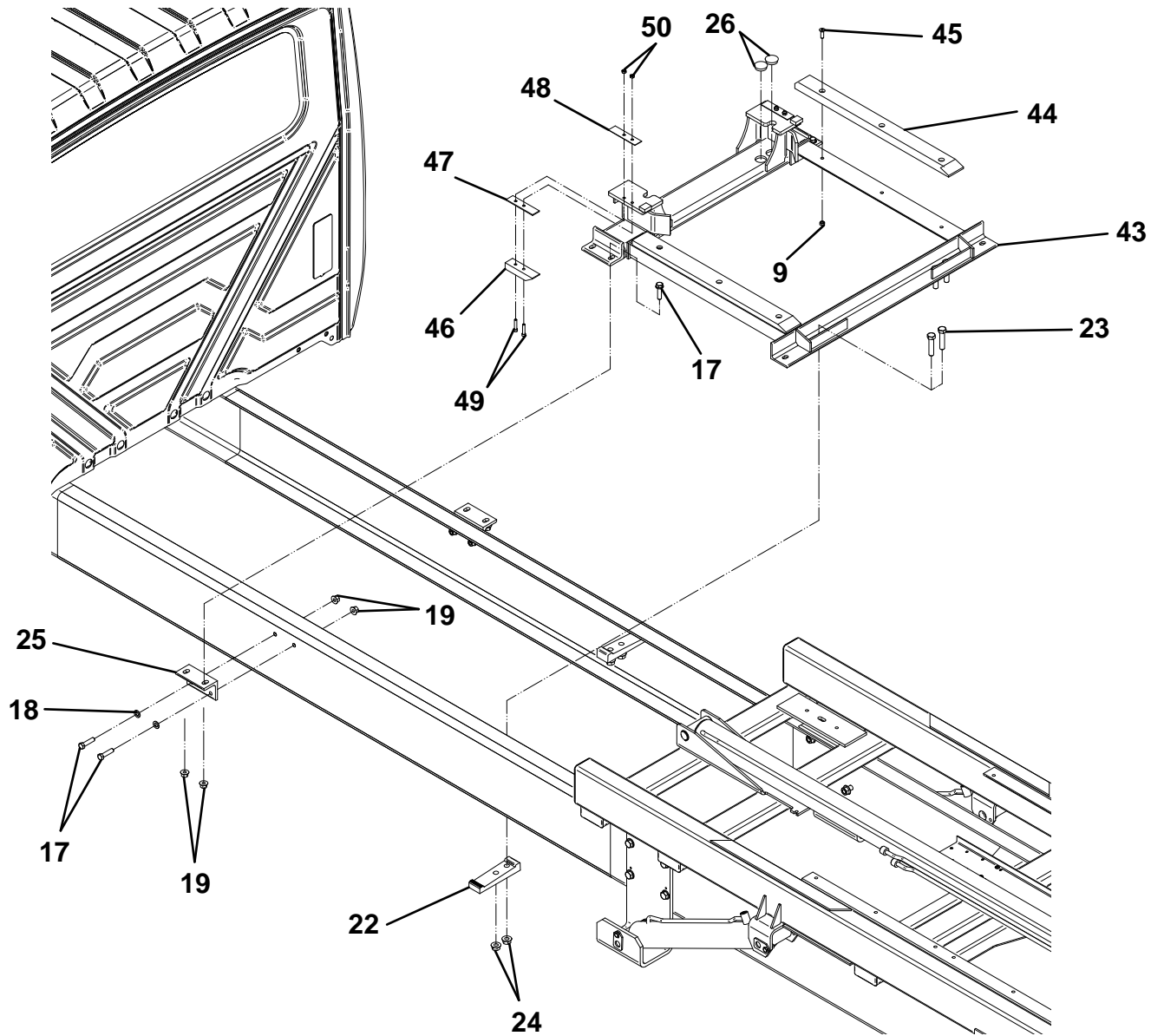


# SUBFRAME (OUTBOARD TILT CYLINDERS)



**SUBFRAME (OUTBOARD TILT CYLINDERS)**

# SUBFRAME (OUTBOARD TILT CYLINDERS)

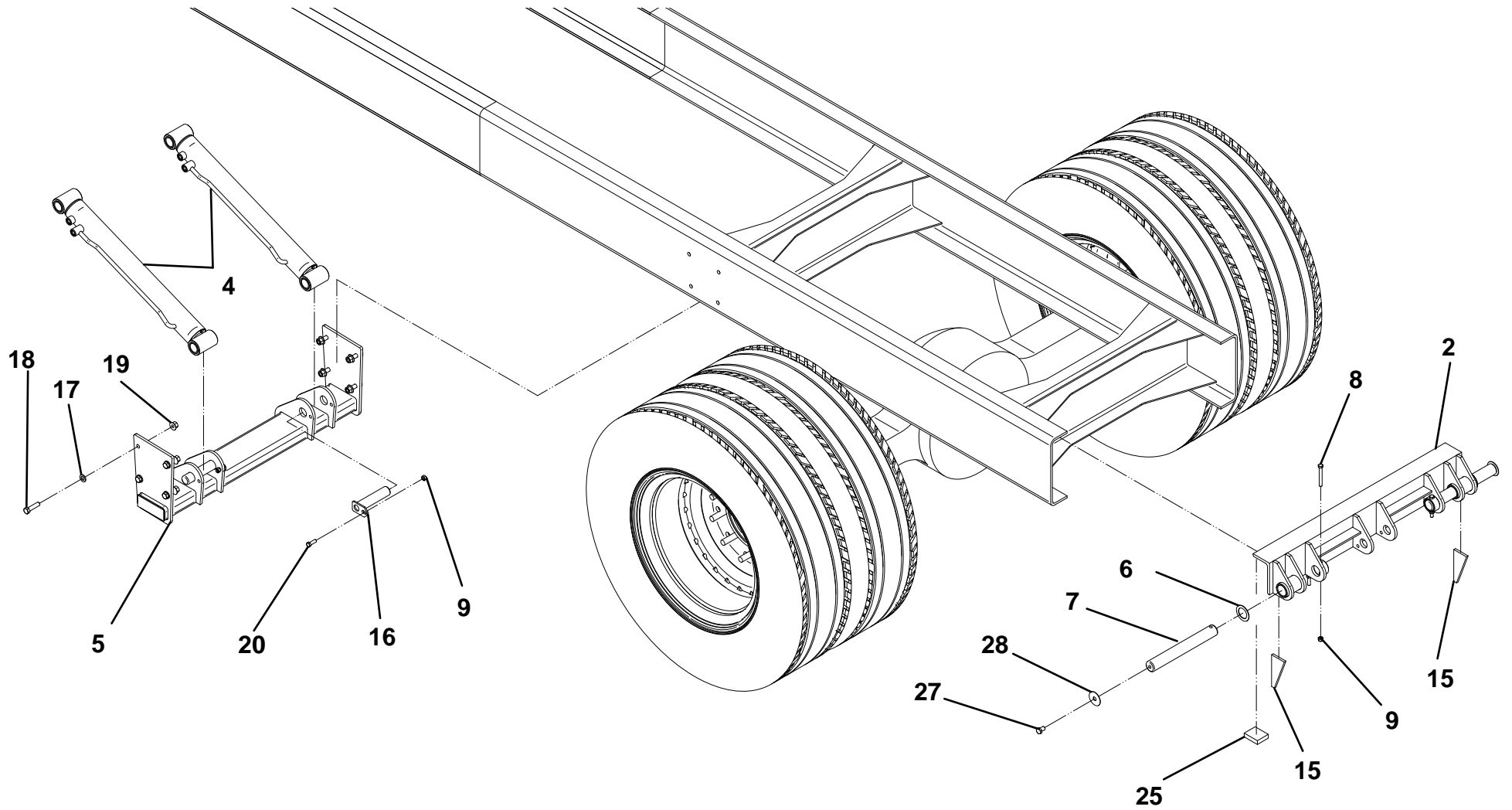


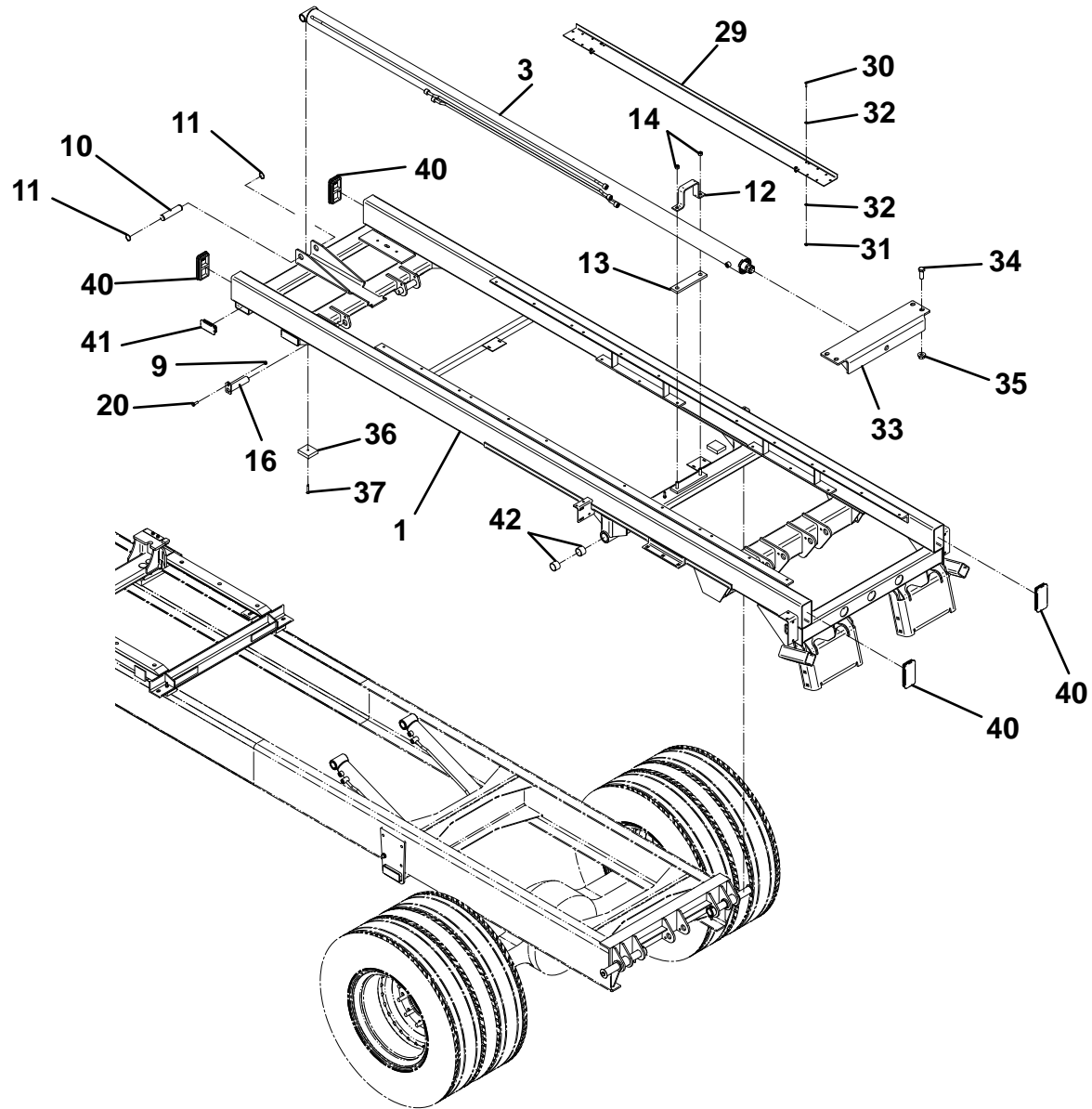
**SUBFRAME (INBOARD TILT CYLINDERS)**

ITEM	PART NO.	DESCRIPTION	QTY	ITEM	PART NO.	DESCRIPTION	QTY
1	1001135177	Subframe - Standard	1	39	7660152601	Locknut, 0.31"-18NC	6
	1001135178	Subframe - Galvanized		40	7701000048	Plug	4
2	3905000012	Trunnion Weld	1	41	7701000051	Plug	2
3	3320000236	Cylinder	1	42	7082000017	Bearing	4
4	3320000120	Cylinder	2	43	3558000013	Hold Down Weldment	1
5	3316000054	Crossmember Weldment	1	44	4679000153	Pad	2
6	7949000008	Washer, 2.25" OD x 1.52" ID	2	45	7118161026	Capscrew, 0.38"-16NC x 1.25"	6
7	4691000573	Pin	2	46	4679000221	Pad	2
8	7115162450	Capscrew, 0.38"-16NC x 3.00"	2	47	4812000071	Shim	2
9	7660162601	Locknut, 0.38"-16NC	12	48	4812000072	Shim	2
10	4691000429	Pin	1	49	7114151218	Capscrew, 0.31"-18NC x 1.50"	4
11	7754000006	Retaining Ring	2				
12	4178000367	Bracket	1				
13	4679000151	Wear Pad	1				
14	7660182601	Locknut, 0.50"-13NC	2				
15	4497000358	Gusset	2				
16	3691000166	Pin	4				
17	7950180153	Flatwasher, 0.50" ID	10				
18	7105181650	Capscrew, 0.50"-20NF x 2.00"	10				
19	7660182333	Locknut, 0.50"-20NF	10				
20	7115160950	Capscrew, 0.38"-16NC x 1.25"	4				
21	7274000046	Clamp	2				
22	7105202250	Capscrew, 0.63"-18NF x 2.75"	4				
23	7660202347	Locknut, 0.63"-18NF	4				
24	4017001250	Angle	2				
25	1001134995	Bar	2				
26	7701000063	Plug	4				
27	7115180650	Capscrew, 0.50"-13NC x 0.75"	2				
28	7949000072	Washer, 2.00" OD x 0.50 ID	2				
29	4706005958	Plate	1				
30	7114100818	Capscrew, #10 -24NC x 1.00"	4				
31	7660102604	Locknut, #10-24UNC	4				
32	7950100151	Flatwasher, 0.19" ID	8				
33	3017000103	Roll Cylinder Angle	1				
34	7115221650	Capscrew, 0.75"-10NC x 2.00"	4				
35	7660222308	Locknut, 0.75"-10NC	4				
36	1001134994	Pad	6				
37	7786000007	Screw, 0.31"-18NC x 2.00"	4				
38	741512	Screw, 0.31"	2				

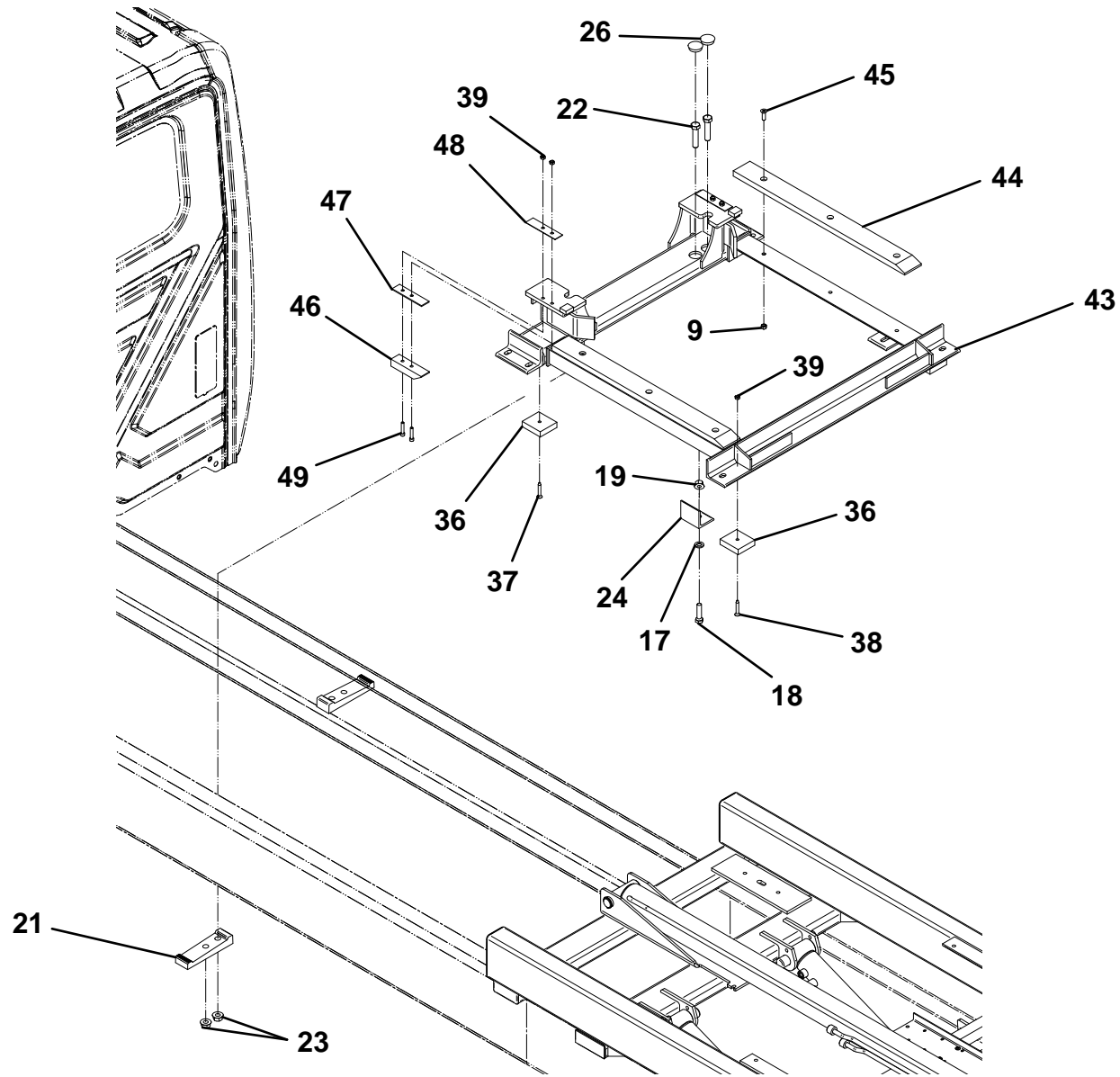
\*included in Hold Down Weld, P/N 3558000014

# SUBFRAME (INBOARD TILT CYLINDERS)



**SUBFRAME (INBOARD TILT CYLINDERS)**

# SUBFRAME (INBOARD TILT CYLINDERS)



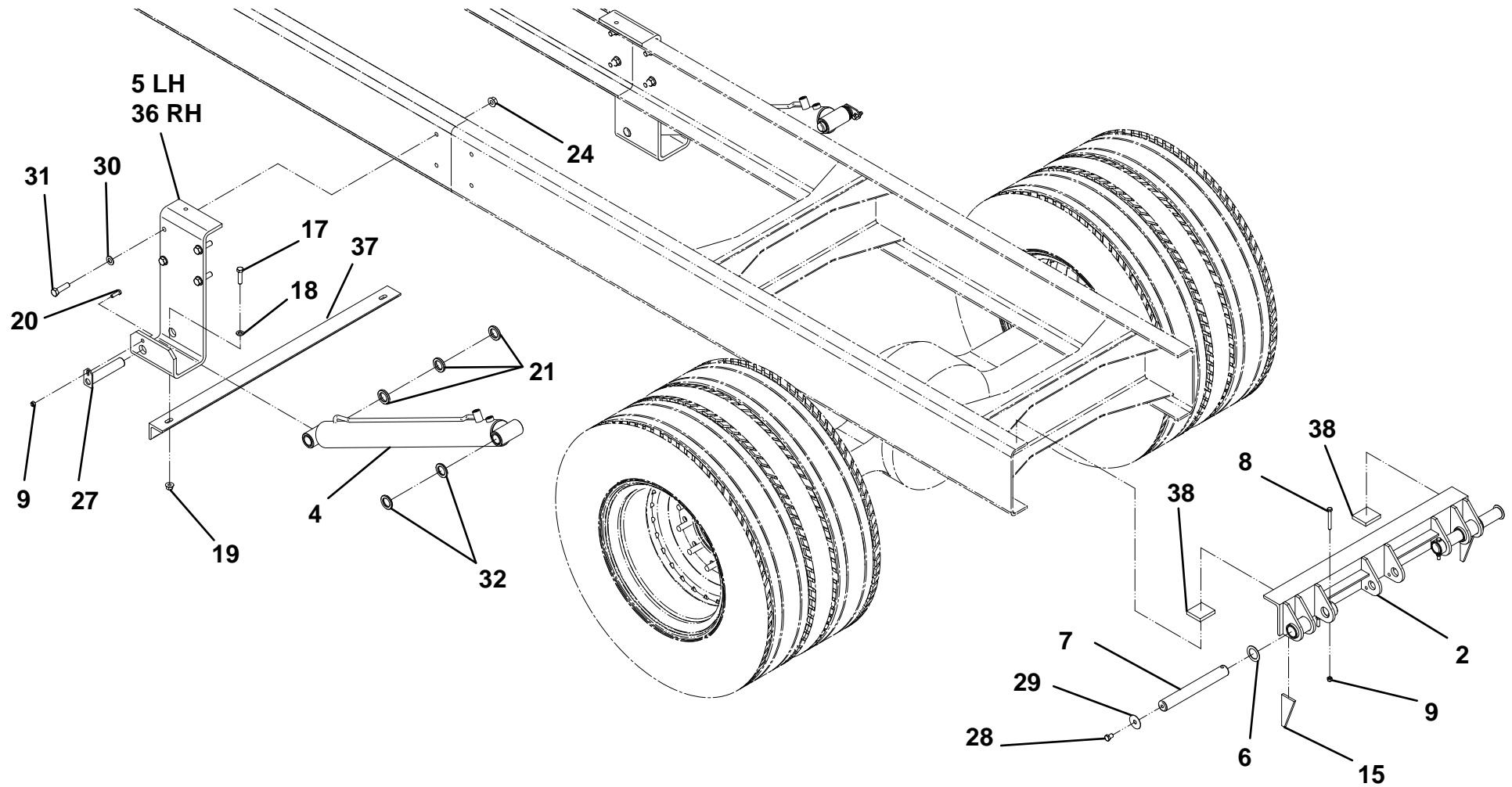
**SUBFRAME (HIGH DUMP TILT CYLINDERS)**

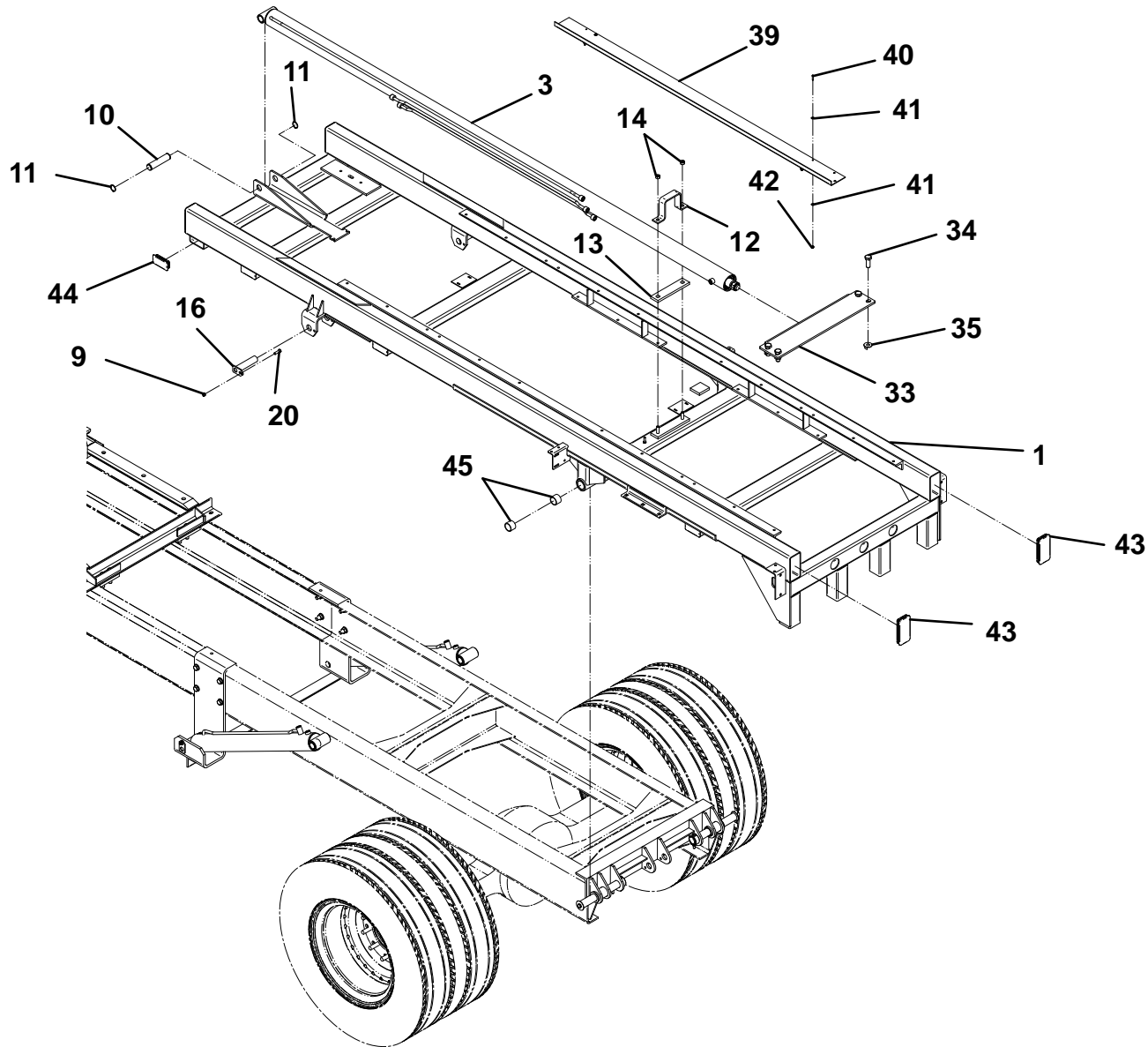
ITEM	PART NO.	DESCRIPTION	QTY	ITEM	PART NO.	DESCRIPTION	QTY
1	1001135123	Subframe - Standard	1	40	7114100818	Capscrew, #10 -24NC x 1.00"	4
2	3905000012	Trunnion Weld	1	41	7950100151	Flatwasher, 0.19" ID	8
3	3320000236	Cylinder	1	42	7660102604	Locknut, #10 -24NC	4
4	3320000154	Cylinder	2	43	7701000048	Plug	4
5	1001135157	Saddle Plate - LH Side	1	44	7701000051	Plug	8
6	7949000008	Washer, 2.25" OD x 1.52" ID	2	45	7082000017	Bearing	4
7	4691000573	Pin	2	46	3558000013	Hold Down Weldment	1
8	7115162450	Capscrew, 0.38"-16NC x 3.00"	2	47	4679000153	Pad	2
9	7660162601	Locknut, 0.38"-16NC	12	48	7118161026	Capscrew, 0.38"-16NC x 1.25"	6
10	4691000429	Pin	1	49	4679000221	Pad	2
11	7754000006	Retaining Ring	2	50	4812000071	Shim	2
12	4178000367	Bracket	1	51	4812000072	Shim	2
13	4679000151	Wear Pad	1	52	7114151218	Capscrew, 0.31"-18NC x 1.50"	4
14	7660182601	Locknut, 0.50"-13NC	2	53	7660152601	Locknut, 0.31"-18NC	4
15	4497000358	Gusset	2				
16	3691000166	Pin	2				
17	7105181650	Capscrew, 0.50"-20NF x 2.00"	10				
18	7950180153	Flatwasher, 0.50" ID	10				
19	7660182333	Locknut, 0.50"-20NF	10				
20	7115161050	Capscrew, 0.38"-16NC x 1.25"	4				
21	4209000337	Bushing	6				
22	7274000046	Clamp	2				
23	7105202250	Capscrew, 0.63"-18NF x 2.75"	4				
24	7660202347	Locknut, 0.63"-18NF	12				
25	4017001271	Angle	2				
26	7701000063	Bar	4				
27	3691000273	Pin	2				
28	7115180650	Capscrew, 0.50"-13NC x 0.75"	2				
29	7949000072	Washer, 2.00" OD x 0.50 ID	2				
30	7950200242	Flatwasher, 0.63" ID	8				
31	7105201850	Capscrew, 0.63"-18NF x 2.25"	8				
32	4209000358	Bushing	4				
33	3017000103	Roll Cylinder Angle	1				
34	7115221650	Capscrew, 0.75"-10NC x 2.00"	4				
35	7660222308	Locknut, 0.75"-10NC	4				
36	1001135158	Saddle Plate - RH	1				
37	4017001407	Angle	1				
38	4705000507	Plate	10				
39	4706005958	Plate	1				

\*included in Hold Down Weld, P/N 3558000014

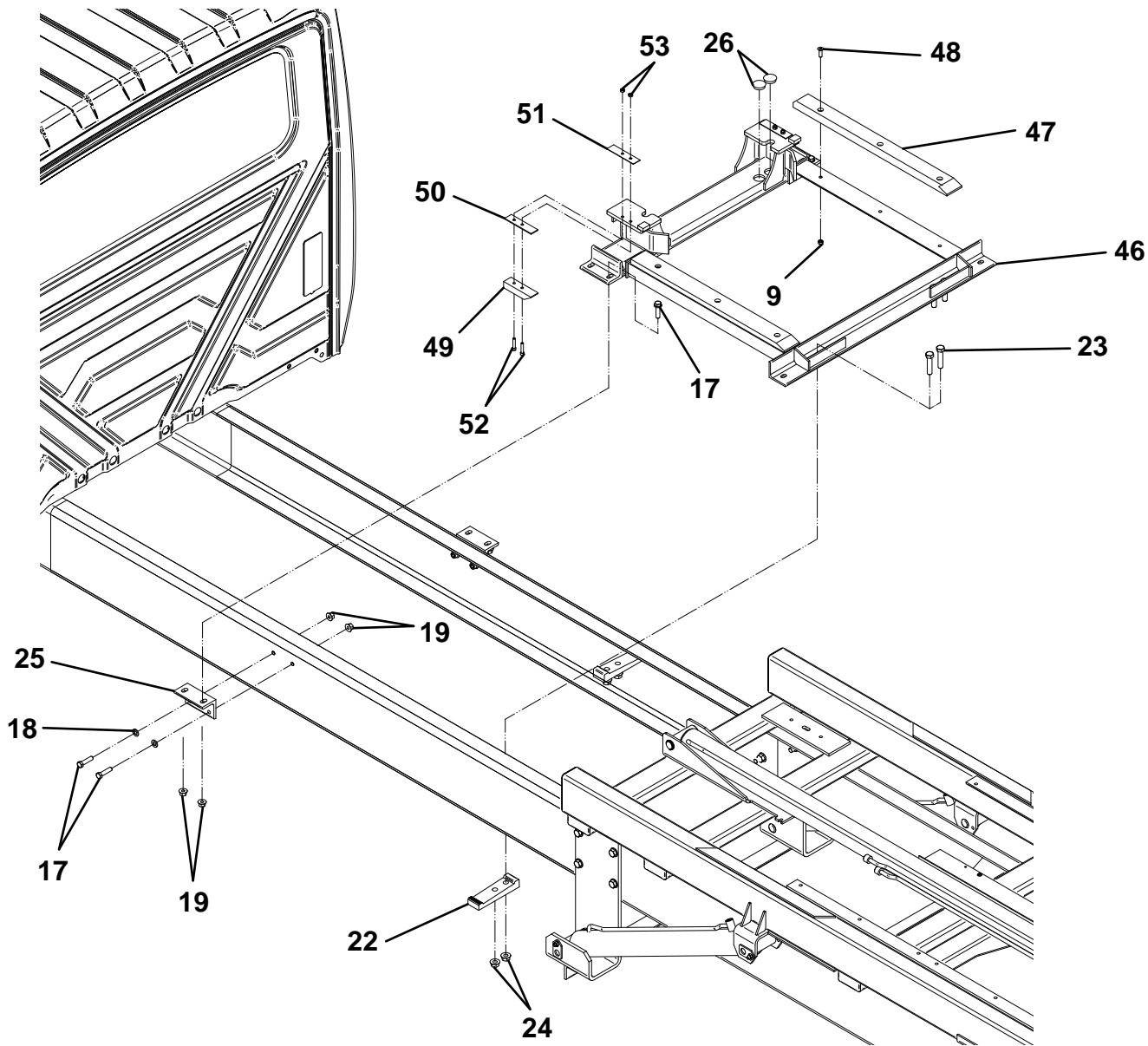


# SUBFRAME (HIGH DUMP TILT CYLINDERS)



**SUBFRAME (HIGH DUMP TILT CYLINDERS)**

# SUBFRAME (HIGH DUMP TILT CYLINDERS)



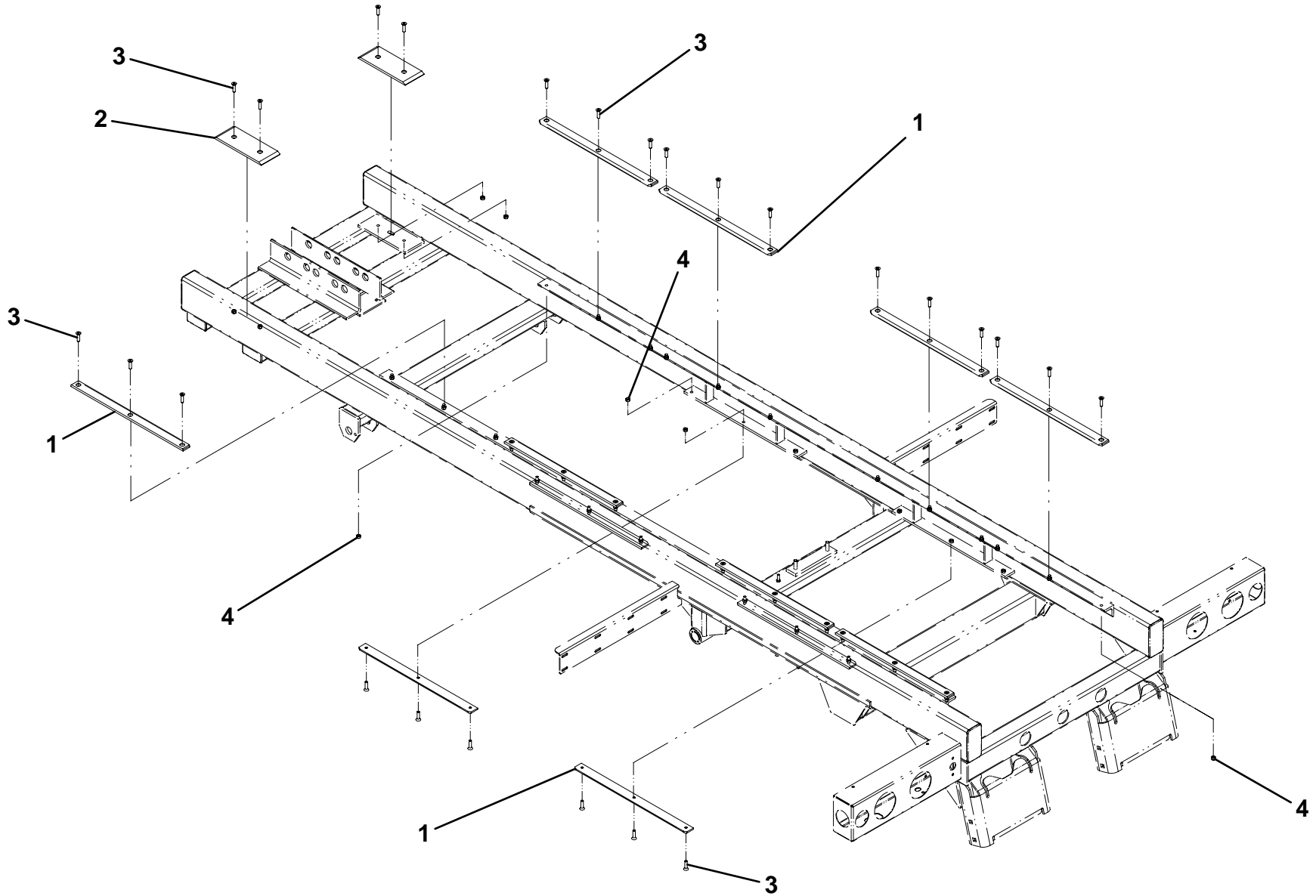
**SLIDE PADS**

ITEM	PART NO.	DESCRIPTION	QTY
1	4679000145*^	Wear Pad	12
2	4679000154^	Wear Pad (20' & 21" decks only)	2
3	7118161026*	Screw, 0.38"-16NC x 1.25" (19' decks)	36
	7118161026^	Screw, 0.38"-16NC x 1.25" (20' & 21" decks)	40
4	7660162601*	Locknut, 0.38"-16NC (19' decks)	36
	7660162601^	Locknut, 0.38"-16NC (20' & 21' decks)	40

\*included in Wear Pad Kit P/N 9577000226 for 19' decks

^included in Wear Pad Kit P/N 9577000227 for 20' & 21' decks

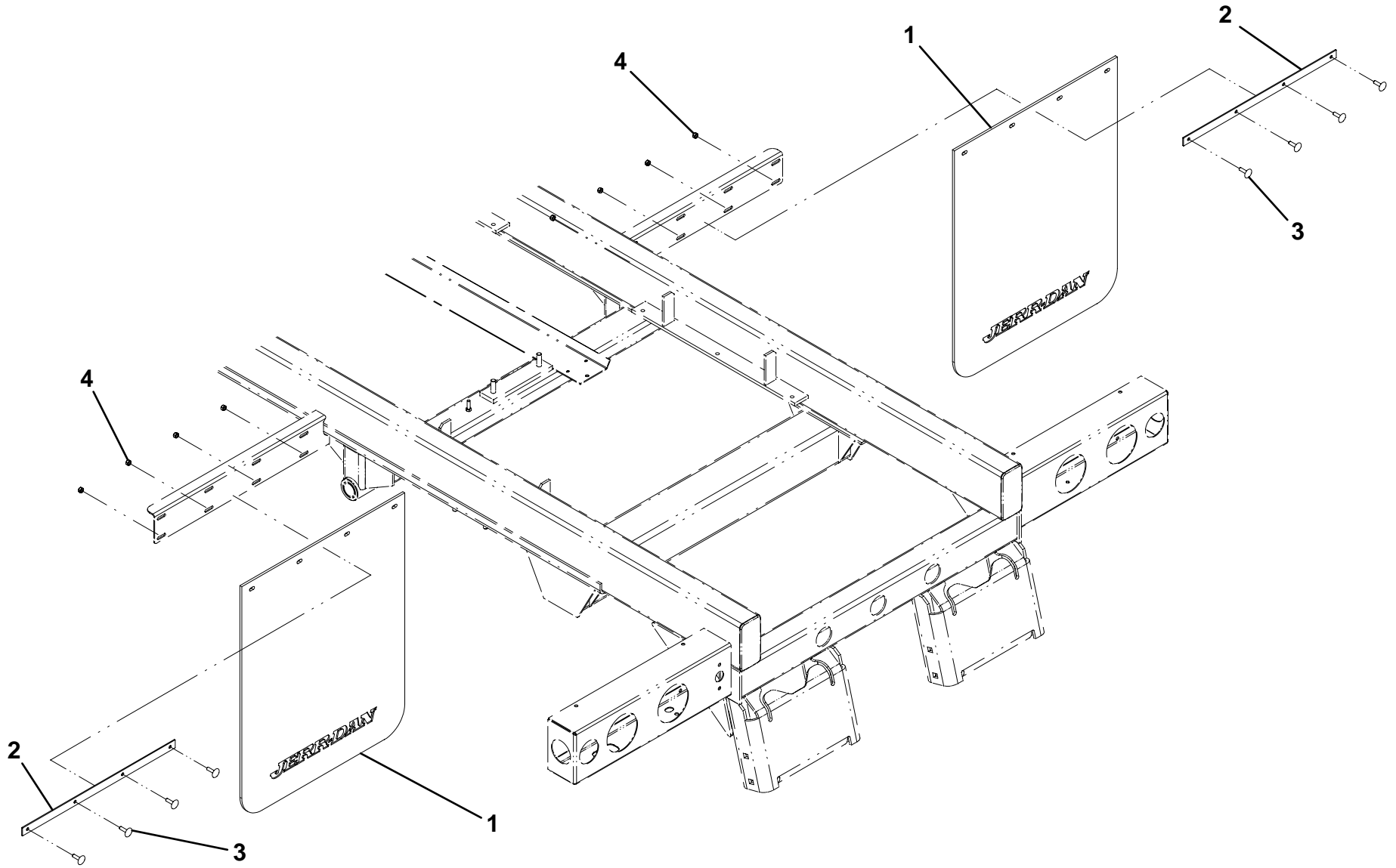
# SLIDE PADS



**MUD FLAPS**

ITEM	PART NO.	DESCRIPTION	QTY
1	7638000004	Mud Flap - Standard, 30" long	2
	7638000013	Mud Flap - High Frame, 36" long	
2	4706000233	Plate - Standard	2
	4706004383	Plate - Galvanized	
3	7111150864	Carriage Bolt, 0.31"-18NC x 1.00"	8
4	7660152601	Locknut, 0.31"-18NC	8

# MUD FLAPS



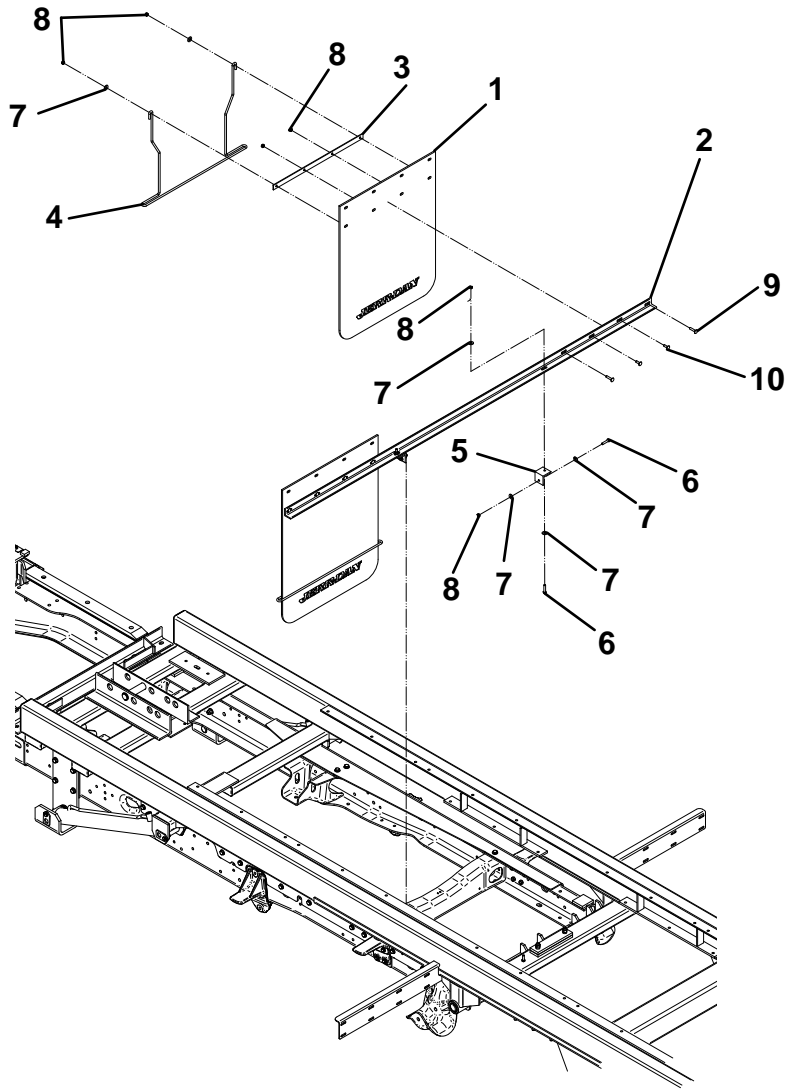
**MUD FLAPS - FORD F550 & DODGE RAM 5500**

ITEM	PART NO.	DESCRIPTION	QTY	ITEM	PART NO.	DESCRIPTION	QTY
1	7638000004*	Mud Flap - Standard, 30' long	2			<b>F550 &gt; 2012</b>	
	7638000013*	Mud Flap - High Frame, 36" long		1	1001147117	Angle	1
2	4017001550*	Mount Angle	1	2	7115151264	Carriage Bolt, 0.31"-18NC x 1.50"	8
3	4706000233*	Plate	2	3	7950150161	Flatwasher, 0.31" ID	16
4	7178000044*	Anti-Sail Bracket	2	4	7660152601	Locknut, 0.31"-18NC	8
5	4017001587*	Angle	2	5	4891800	Washer, 0.50" ID	6
6	7115151050*	Capscrew, 0.31"-18NC x 1.25" (Ford)	4	6	7638000004	Mud Flap - Standard 30" long	2
	7115151250*	Capscrew, 0.31"-18NC x 1.50" (Dodge)		7	4706000233	Plate	2
7	7950150161*	Flatwasher, 0.31" ID	12				
8	7660152601*	Locknut, 0.31"-18NC	12				
9	7111151264*	Carriage Bolt, 0.31"-18NC x 1.50"	4				
10	7111150864*	Carriage Bolt, 0.31"-18NC x 1.00"	4				

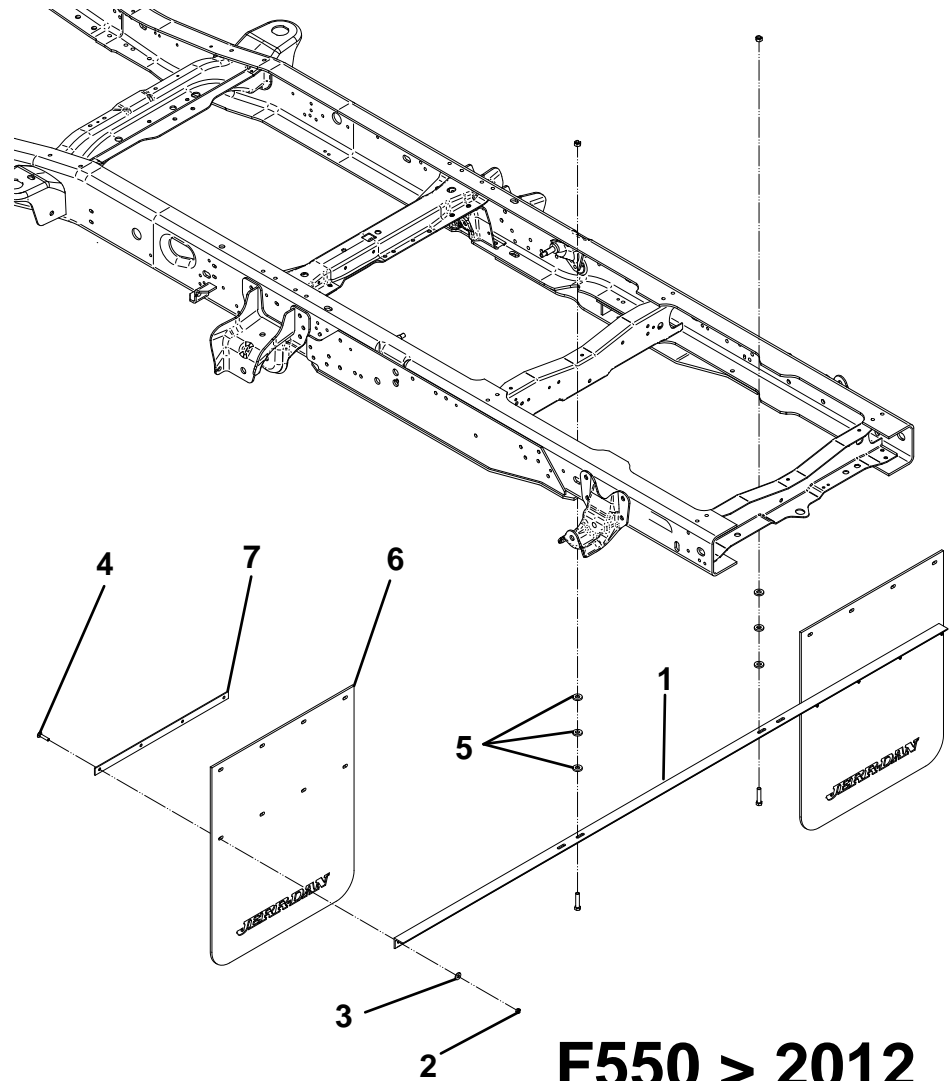
\*2008 and later F550 with diesel engine



**MUD FLAPS - FORD F550 & DODGE RAM 5500**



**F550 < 2011 & D5500**

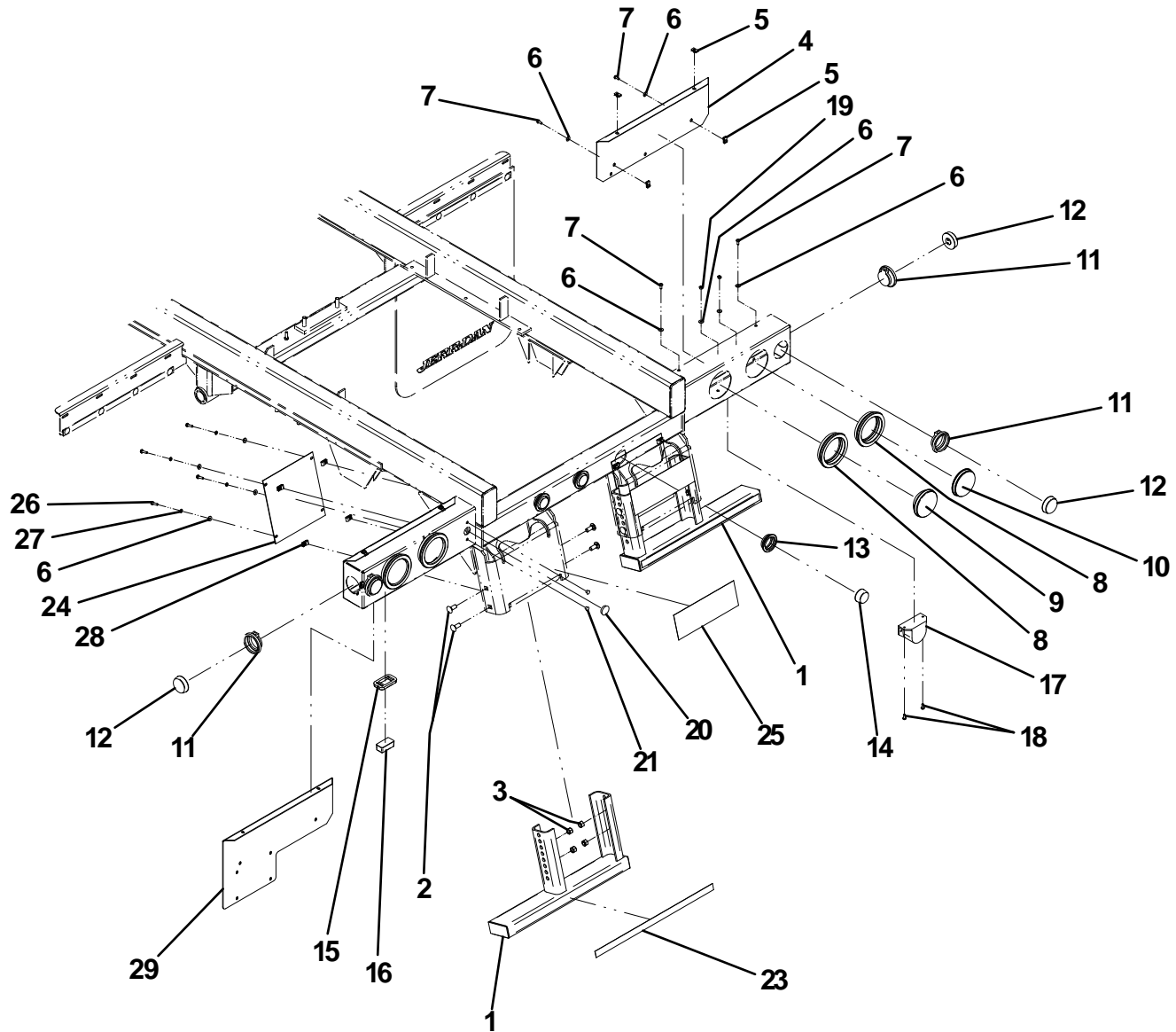


**F550 > 2012**

**FINAL ASSEMBLY**

ITEM	PART NO.	DESCRIPTION	QTY
1	3190000037	Bumper Tube Weld - Short - Standard	2
	3190000050	Bumper Tube Weld - Short - Galvanized	
	3190000034	Bumper Tube Weld - Long - Standard	
	3190000049	Bumper Tube Weld - Long - Galvanized	
2	7115181064	Carriage Bolt, 0.50"-13NC x 1.25"	8
3	7660182601	Locknut, 0.50"-13NC	8
4	4314000235	Light Box Cover - RH	1
5	7661000042	U-Nut, 0.25"-20NC	8
6	7949000023	Nylon Washer, 0.26" ID	18
7	7114140529	Screw, 0.25"-20NC x 0.63"	8
8	7493000002	Grommet	4
9	7590000113	Back-Up Light - White (Std.)	2
10	7590000341	Stop/Tail/Turn Light - Red (LED)	2
11	7493000009	Grommet	4
12	7590000343	Marker Light - Red (LED)	4
13	7493000023	Grommet	3
14	7590000340	Marker Light - Red (LED)	3
15	7493000010	Grommet	1
16	7590000251	License Plate Light	1
17	7011000007	Back-Up Alarm	1
18	7114140528	Screw, 0.25"-20NC x 0.63"	2
19	7660142601	Locknut, 0.25"-20NC	2
20	7701000049	Plug	1
21	7701000055	Plug	2
22	Not Required		
23	7330000428	Reflective Tape	2
24	4314000200	Cover Plate - Standard	2
	4314000204	Cover Plate - Galvanized	
25	7679000020	Non-Skid Pad	2
26	7115140850	Screw, 0.25"-20NC x 1.00"	8
27	7950140000	Lockwasher, 0.25" ID	8
28	7661000064	U-Nut Clip, 0.25"-20NC	8
29	4314000232	Light Box Cover - LH	1

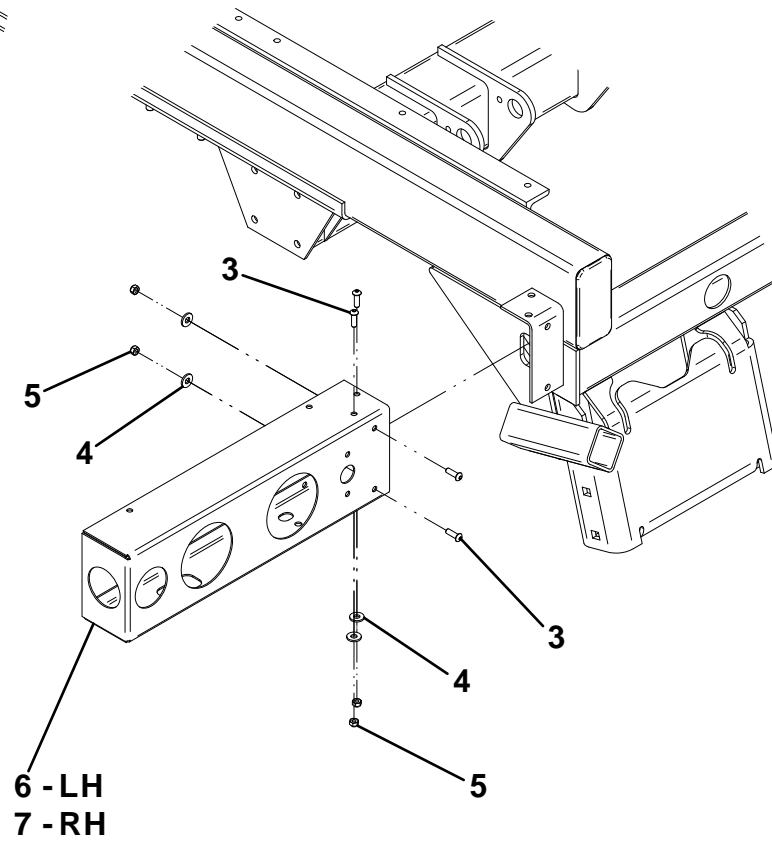
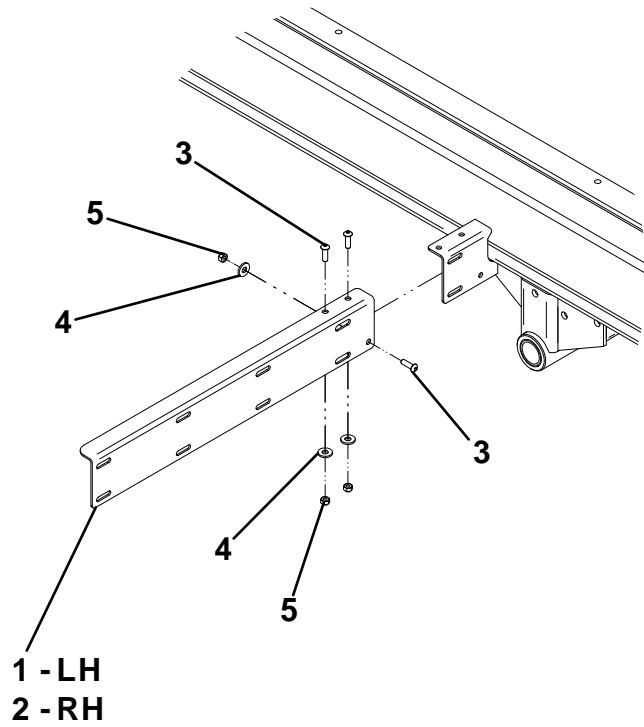
# FINAL ASSEMBLY



**FINAL ASSEMBLY**

ITEM	PART NO.	DESCRIPTION	QTY
1	4017001566	Angle - LH - Galvanized	1
	4017001742	Angle - LH - Black	1
2	4017001567	Angle - RH - Galvanized	1
	4017001743	Angle - RH - Black	1
3	7114150818	Capscrew, 0.31"-18NC x 1.00"	14
4	7950150153	Flatwasher, 0.31" ID	14
5	7660152601	Locknut, 0.31"-18NC	14
6	1001173947	Lightbox - LH - Galvanized	1
	1001173945	Lightbox - LH - Black	1
7	1001173946	Lightbox - RH - Galvanized	1
	1001173944	Lightbox - RH - Black	1

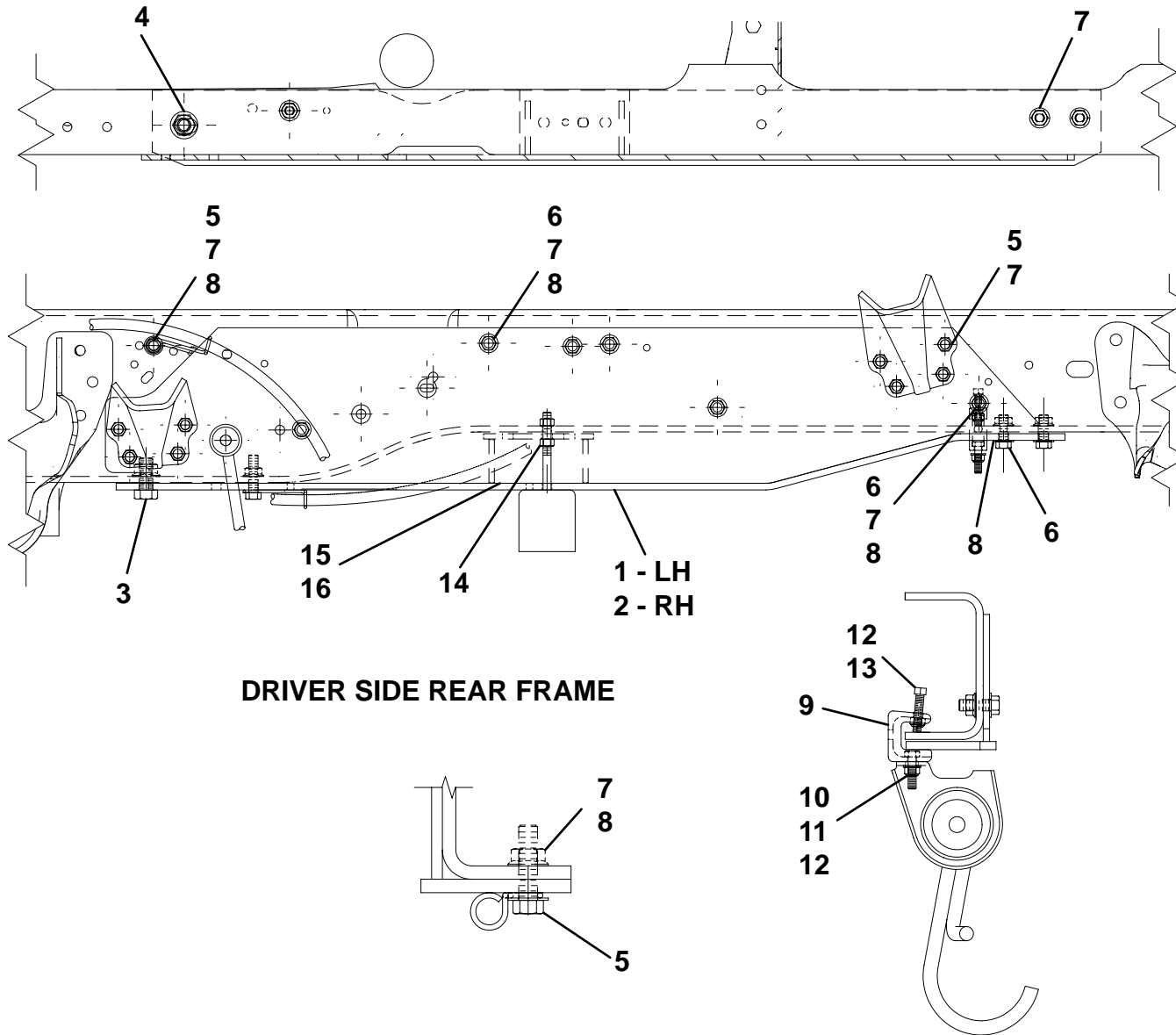
# FINAL ASSEMBLY



**FORD F550 FRAME REINFORCEMENT AND SPRING SPACERS**

ITEM	PART NO.	DESCRIPTION	QTY
1	3177000053	Brace Weld - LH	1
2	3177000054	Brace Weld - RH	1
3	7105201250	Capscrew, 0.63"-18NF x 1.75"	2
4	7660202347	Locknut, 0.63"-18NF	2
5	7105171450	Capscrew, 0.44"-20NF x 1.75"	18
6	7105171050	Capscrew, 0.44"-20NF x 1.25"	19
7	7660172331	Locknut, 0.44"-20NF	37
8	7950170142	Flatwasher, 0.44" ID	21
9	7274000076	Clamp	1
10	7115151050	Capscrew, 0.31"-18NC x 1.25"	1
11	7950150161	Flatwasher, 0.31" ID	1
12	7660152601	Locknut, 0.31"-18NC	2
13	7785152420	Set Screw, 0.31"-18NC x 1.50"	1
14	7661000065	Nut, M10 x 1.5	2
15	7813000048	Spacer	2
16	7120000044	U-Bolt	4

# FORD F550 FRAME REINFORCEMENT AND SPRING SPACERS

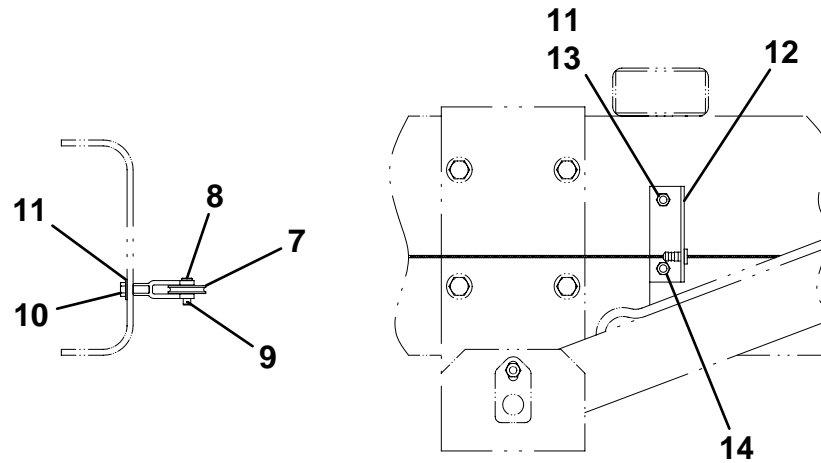


**FORD F550 SUBFRAME MODIFICATIONS**

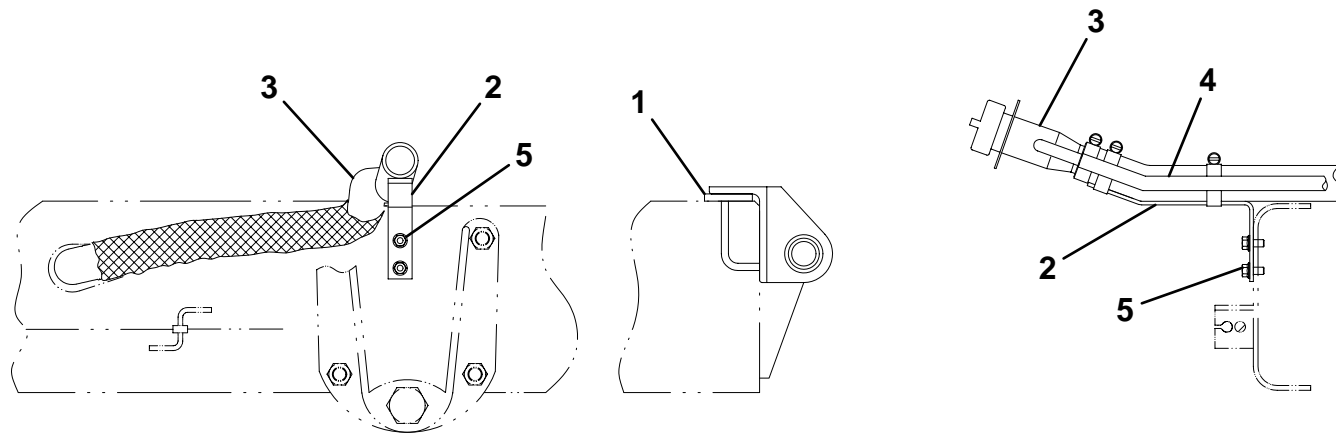
ITEM	PART NO.	DESCRIPTION	QTY
1	4062000281	Bar	2
2	4178000283	Bracket	1
3	7570000016	Fuel Filler Hose	1
4	7570000017	Fuel Vent Hose	1
5	7790161253	Screw, 0.38"-16NC x 0.75"	2
6	7277000001	Clevis	1
7	4809000003	Sheave	1
8	7690151601	Clevis Pin	1
9	7690021610	Cotter Pin	1
10	7105150850	Capscrew, 0.31"-24NF x 1.00"	1
11	7950150161	Flatwasher, 0.31" ID	3
12	4178000287	Bracket	1
13	7115151050	Capscrew, 0.31"-18NC x 1.25"	2
14	7660152601	Locknut, 0.31"-18NC	2



# FORD F550 SUBFRAME MODIFICATIONS



DRIVER'S SIDE

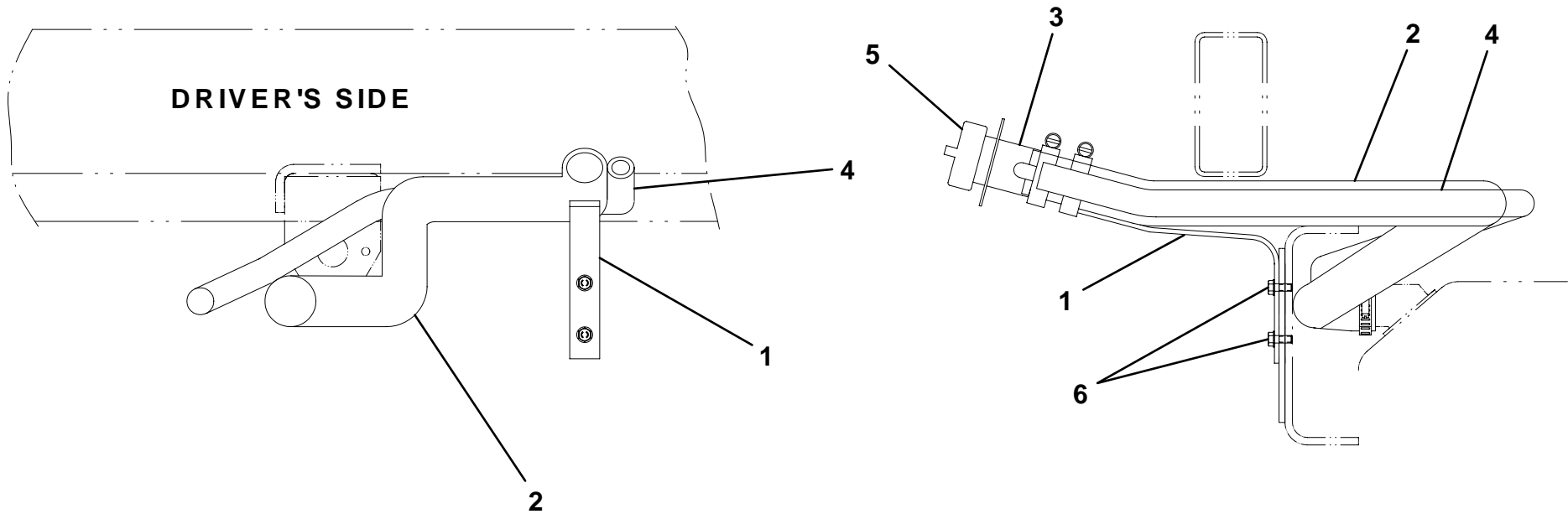


DRIVER'S SIDE

**GMC C4500/5500 SUBFRAME MODIFICATIONS**

ITEM	PART NO.	DESCRIPTION	QTY
1	4178000421	Bracket	1
2	7570000023	Fuel Filler Hose (2005 & earlier)	1
	7570000031	Fuel Filler Hose (2006 & later)	
3	7912000233	Fuel Fillneck (2006 & later diesel)	1
	7912000235	Fuel Fillneck (2006 & later gas)	
4	7570000017	Fuel Vent Hose (2006 & later diesel)	1
5	7254000021	Fill Cap (2006 & later gas only)	1
6	7790151253	Taptite Screw, 0.31"-18NC x 0.75"	2

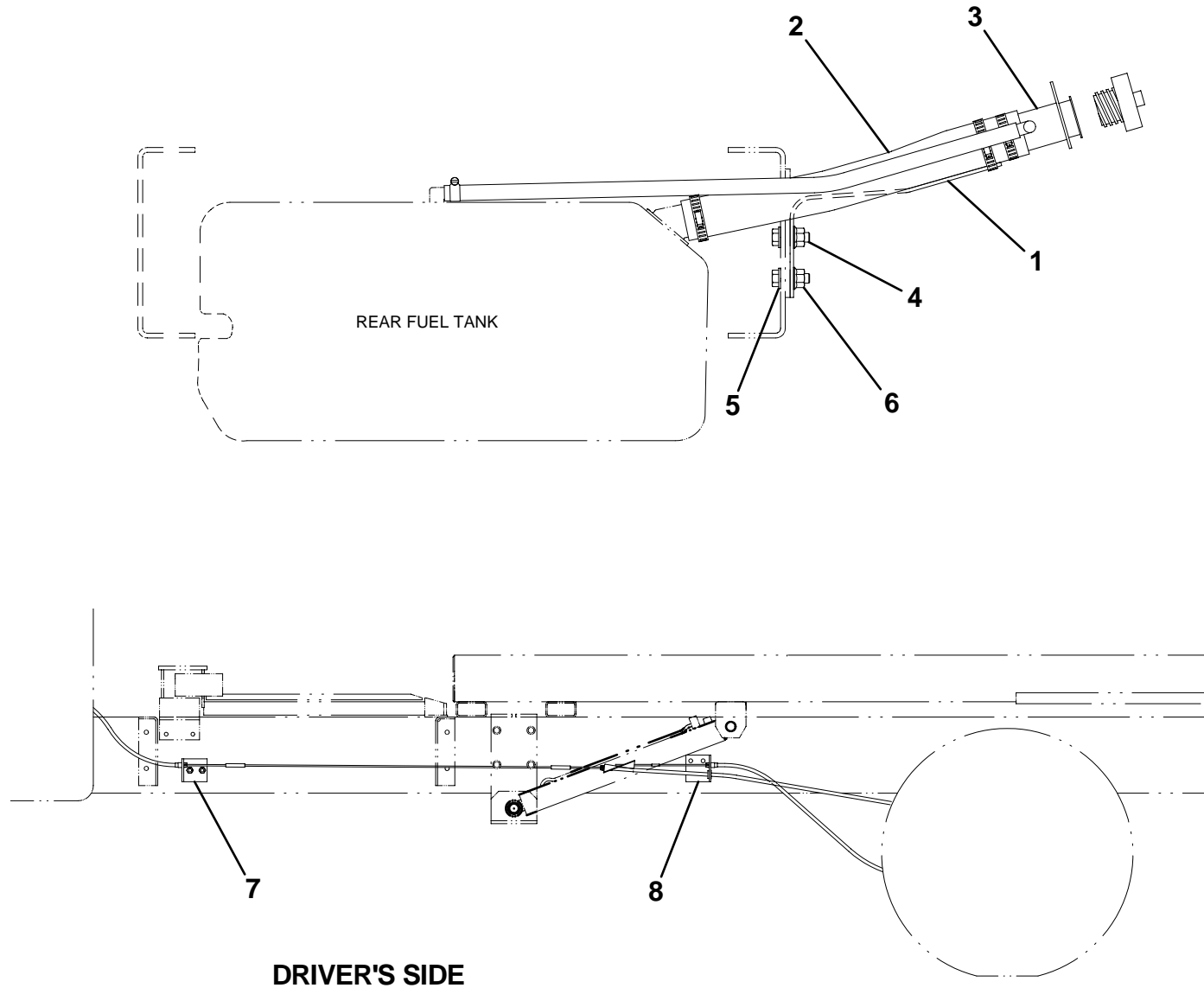
# GMC C4500/5500 SUBFRAME MODIFICATIONS



**GMC C4500/5500 BRAKE CABLE REWORK & REAR FUEL TANK MOD**

ITEM	PART NO.	DESCRIPTION	QTY
1	4178000421	Bracket	1
2	7570000025	Fuel Filler Hose (2005 & earlier)	1
3	7912000234	Fuel Fillneck (2006 & later diesel)	1
	7912000236	Fuel Fillneck (2006 & later gas)	
4	7105181650	Capscrew, 0.50"-20NF x 2.00"	2
5	7950180153	Flatwasher, 0.50" ID	2
6	7660182333	Locknut, 0.50"-20NF	2
7	4178000474	Bracket	1
8	4178000475	Bracket (2006 & earlier)	1
	4178000682	Bracket (2007 & later)	

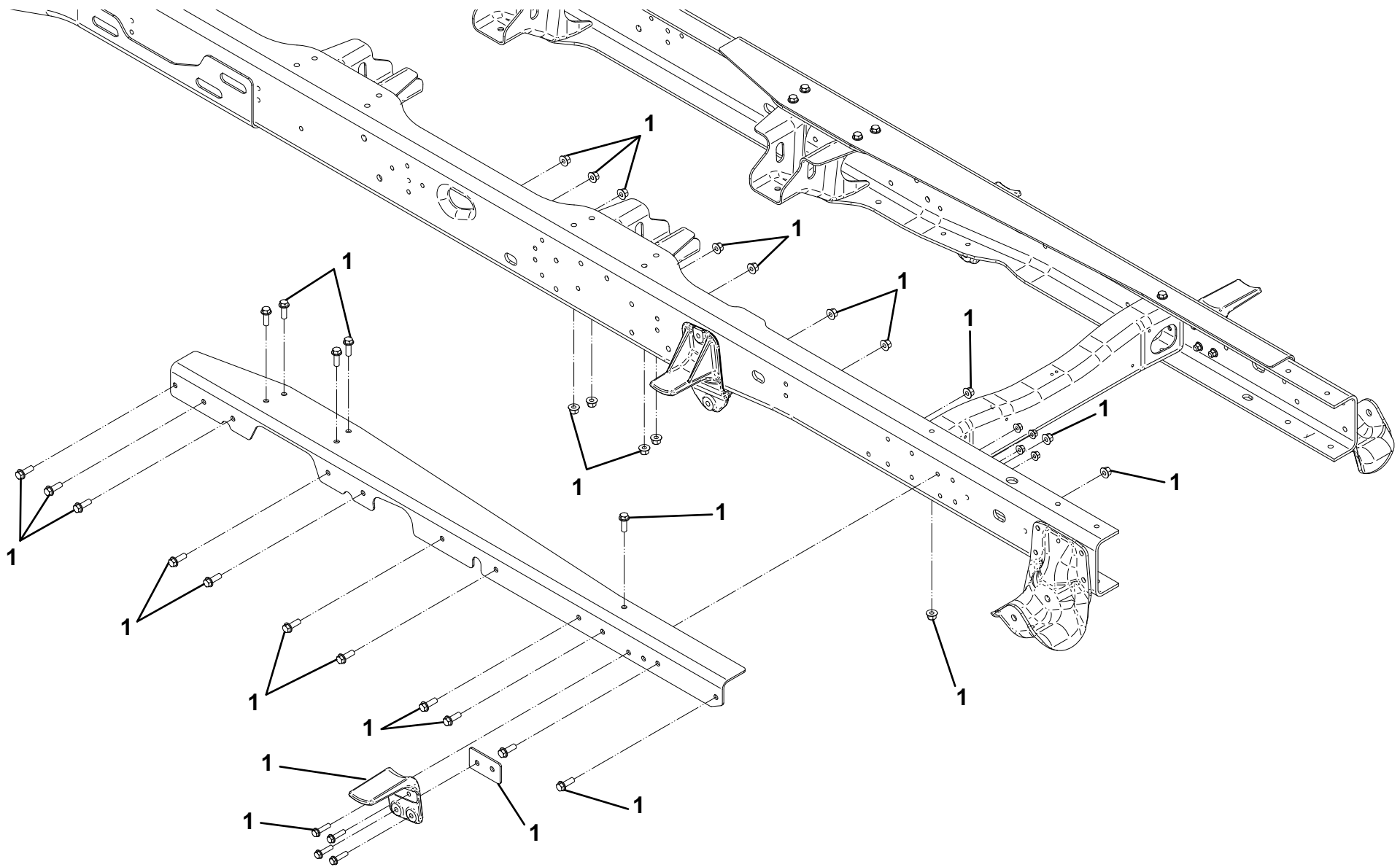
# GMC C4500/5500 BRAKE CABLE REWORK & REAR FUEL TANK MOD



**DODGE RAM 5500 FRAME REINFORCEMENT**

ITEM	PART NO.	DESCRIPTION	QTY
1	7577000483	Frame Reinforcement Kit	1

# DODGE RAM 5500 FRAME REINFORCEMENT

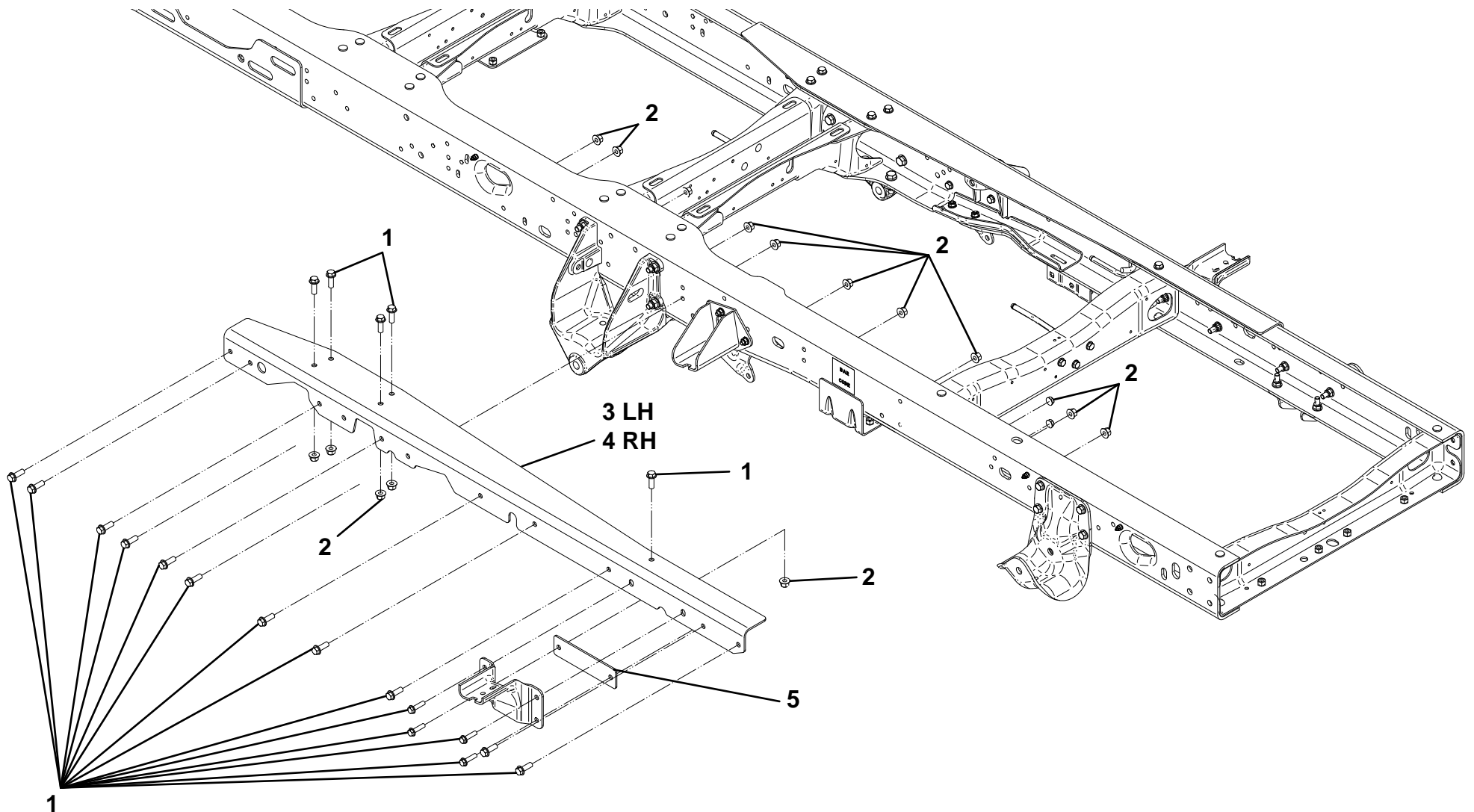


**DODGE RAM 5500 FRAME REINFORCEMENT 2013 & NEWER**

ITEM	PART NO.	DESCRIPTION	QTY
1	5251215	Bolt, 12MM x 35MM	32
2	1001164169	Nut, 12MM x 1.75	32
3	1001160363	Plate, LH	1
4	1001160362	Plate, RH	1
5	1001160365	Plate	2



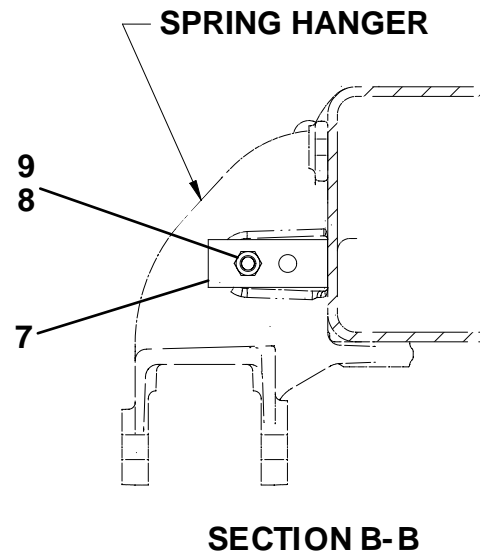
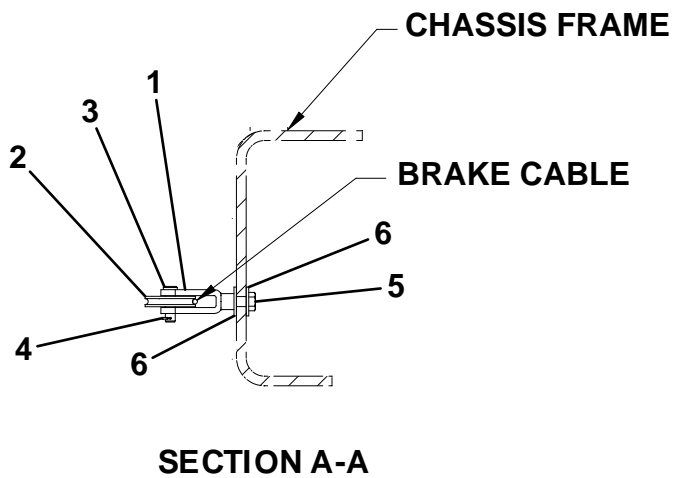
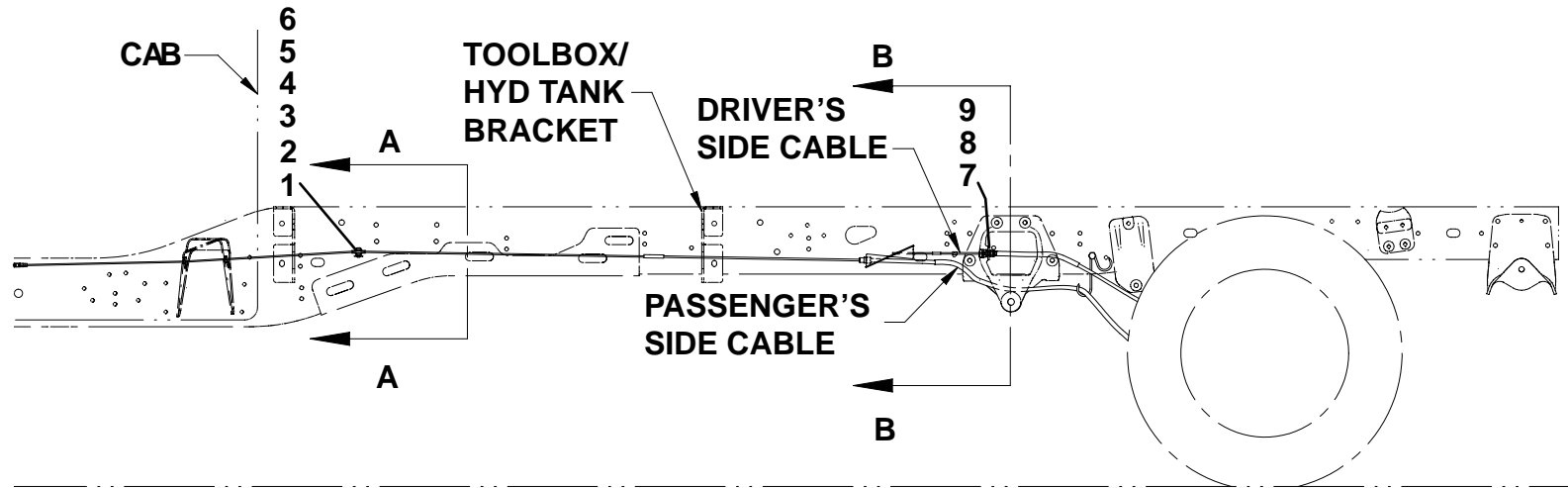
# DODGE RAM 5500 FRAME REINFORCEMENT 2013 & NEWER



**DODGE RAM 5500 BRAKE CABLE REWORK**

ITEM	PART NO.	DESCRIPTION	QTY
1	4277000005	Adjustable Clevis	1
2	4809000003	Sheave	1
3	7690151601	Clevis Pin	1
4	7690021610	Cotter Pin	1
5	7105150850	Capscrew, 0.31"-24NF x 1.00"	1
6	7950150161	Flatwasher, 0.31" ID	2
7	4178000747	Bracket	1
8	7115181005	Capscrew, 0.50"-13NC x 1.25"	1
9	7660182601	Locknut, 0.50"-13NC	1

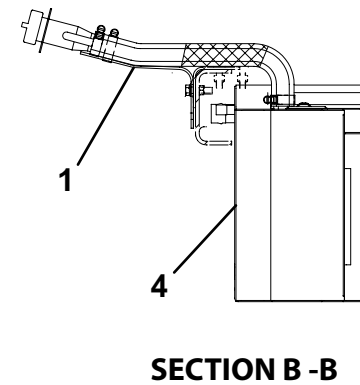
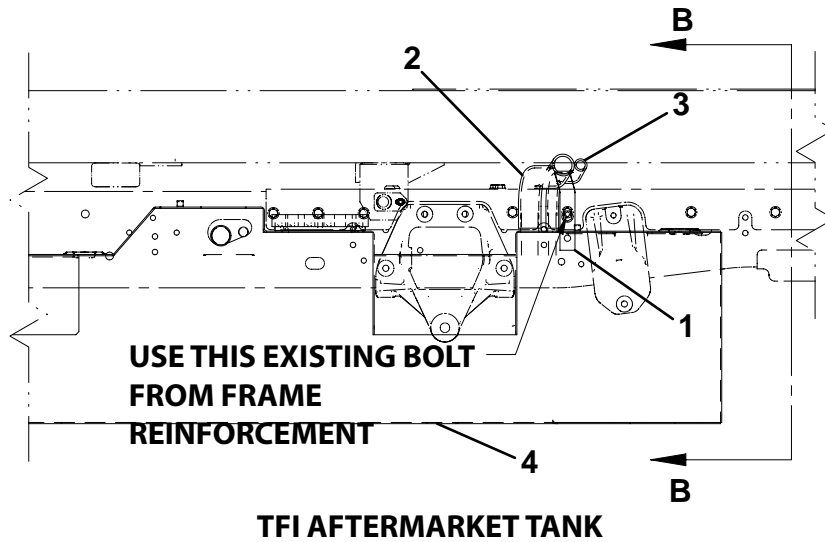
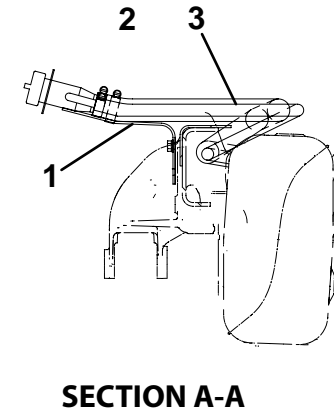
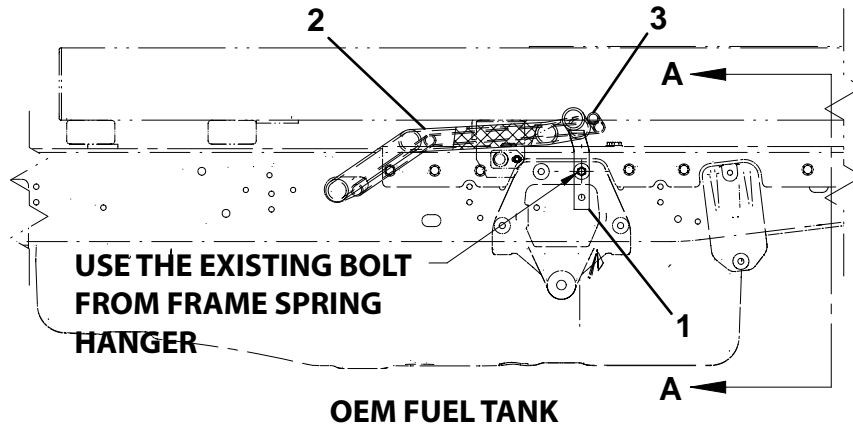
# DODGE RAM 5500 BRAKE CABLE REWORK



**DODGE RAM 5500 FUEL TANK HOSE INSTALL**

ITEM	PART NO.	DESCRIPTION	QTY
1	4178000421	Bracket	1
2	7570000016	Fuel Filler Hose (OEM fuel tank)	1
	7570000035	Fuel Filler Hose (TFI fuel tank)	
3	7570000017	Fuel Vent Hose	1
4	7890000041	Tank (Dodge 48 gal)	1

# DODGE RAM 5500 FUEL TANK HOSE INSTALL

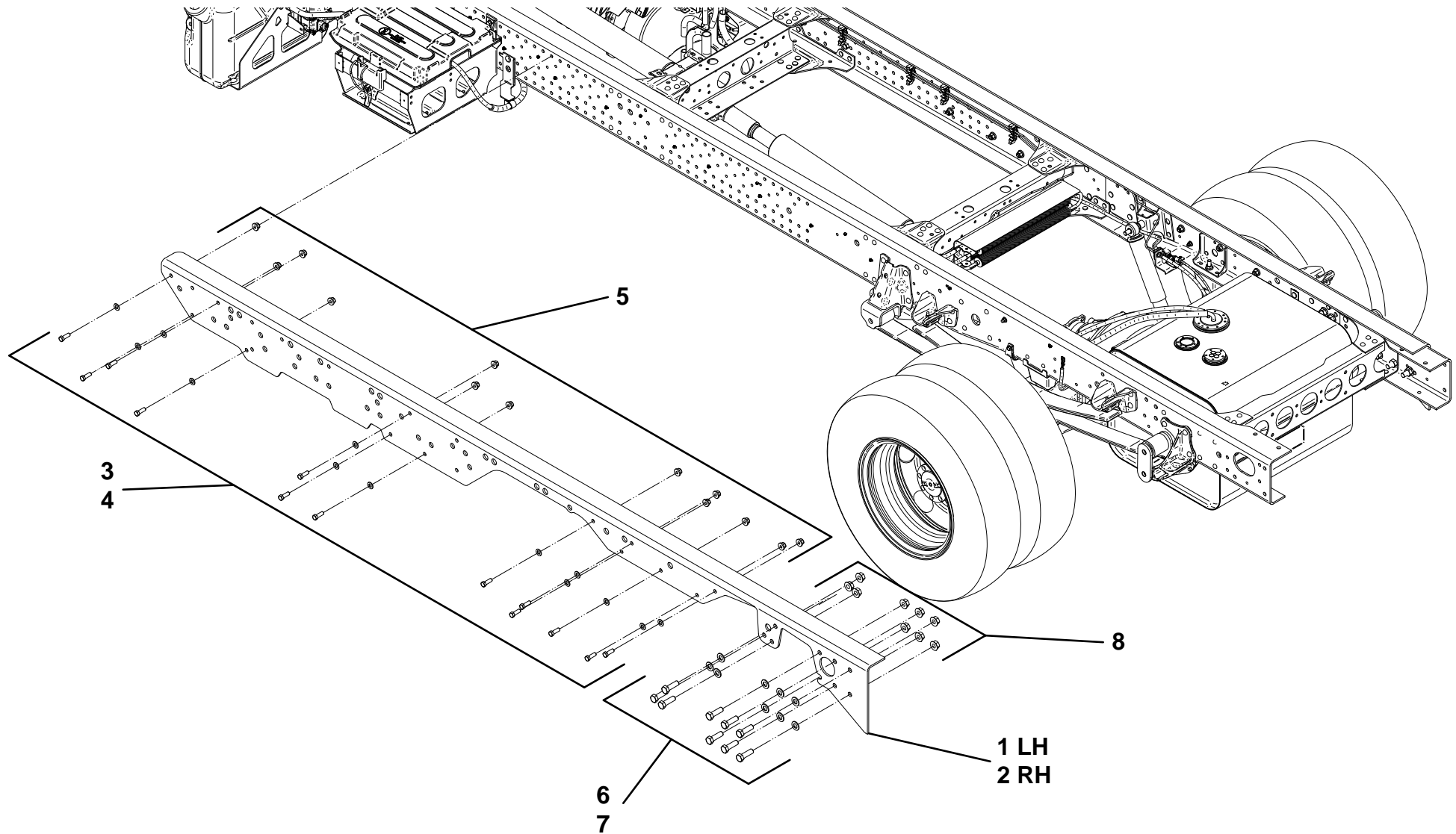


**ISUZU NRR FRAME REINFORCEMENT -176" WB**

ITEM	PART NO.	DESCRIPTION	QTY
1	1001155971	Plate, LH Side	1
2	1001155972	Plate, RH Side	1
3	7105171050	Capscrew, 0.44"-20NF x 1.25"	31
4	7950170142	Flatwasher, 0.44" ID	31
5	7660172331	Locknut, 0.44"-20NF	31
6	7105201650	Capscrew, 0.63"-18NF x 2.00"	18
7	7950200242	Flatwasher, 0.63" ID	18
8	7660202347	Locknut, 0.63"-18NF	18

\*Also sold as a Kit P/N 1001156082

# ISUZU NRR FRAME REINFORCEMENT -176" WB



**ISUZU NRR FRAME REINFORCEMENT -150" WB**

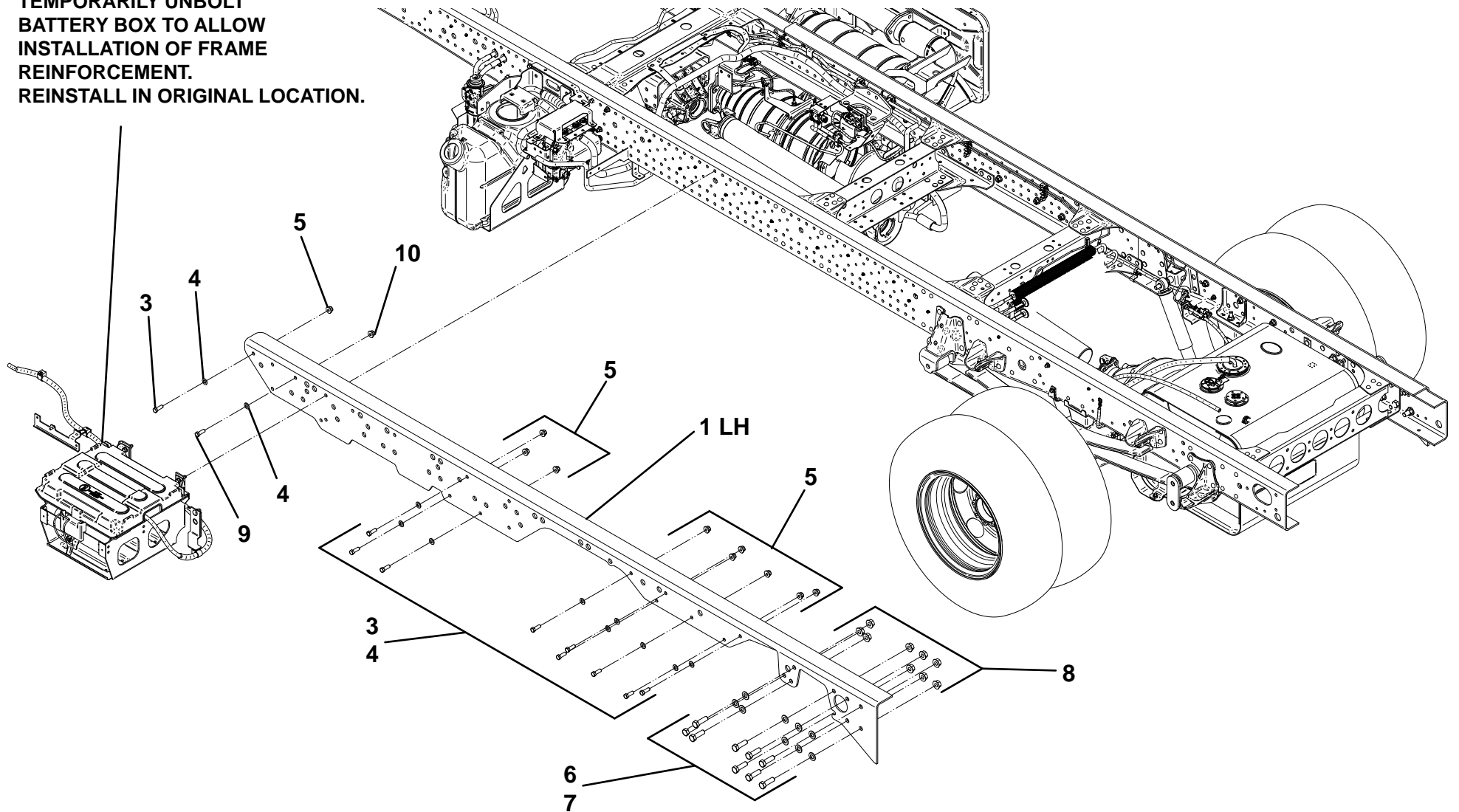
ITEM	PART NO.	DESCRIPTION	QTY
1	1001155971	Plate	1
2	1001155972	Plate	1
3	7105171050	Capscrew, 0.44"-20NF x 1.25"	22
4	7950170142	Flatwasher, 0.44" ID	27
5	7660172331	Locknut, 0.44"-20NF	22
6	7105201650	Capscrew, 0.63"-18NF x 2.00"	18
7	7950200242	Flatwasher, 0.63" ID	18
8	7660202347	Locknut, 0.63"-18NF	18
9	761015	Bolt, M10 - 35 x 8.8	5
10	5261000	Nut, M10	5
11	1001132794	Clamp	1
12	4706003844	Plate	2
13	7115151064	Bolt, 0.31"-18NC x 1.25"	2
14	7950150161	Flatwasher, 0.31" ID	2
15	7660152601	Locknut, 0.31"-18NC	2
16	7274000105	Clamp	2
17	7274000040	Clamp	1
18	7894000004	Tie Strap	1

\*Also sold as a Kit P/N 1001156081



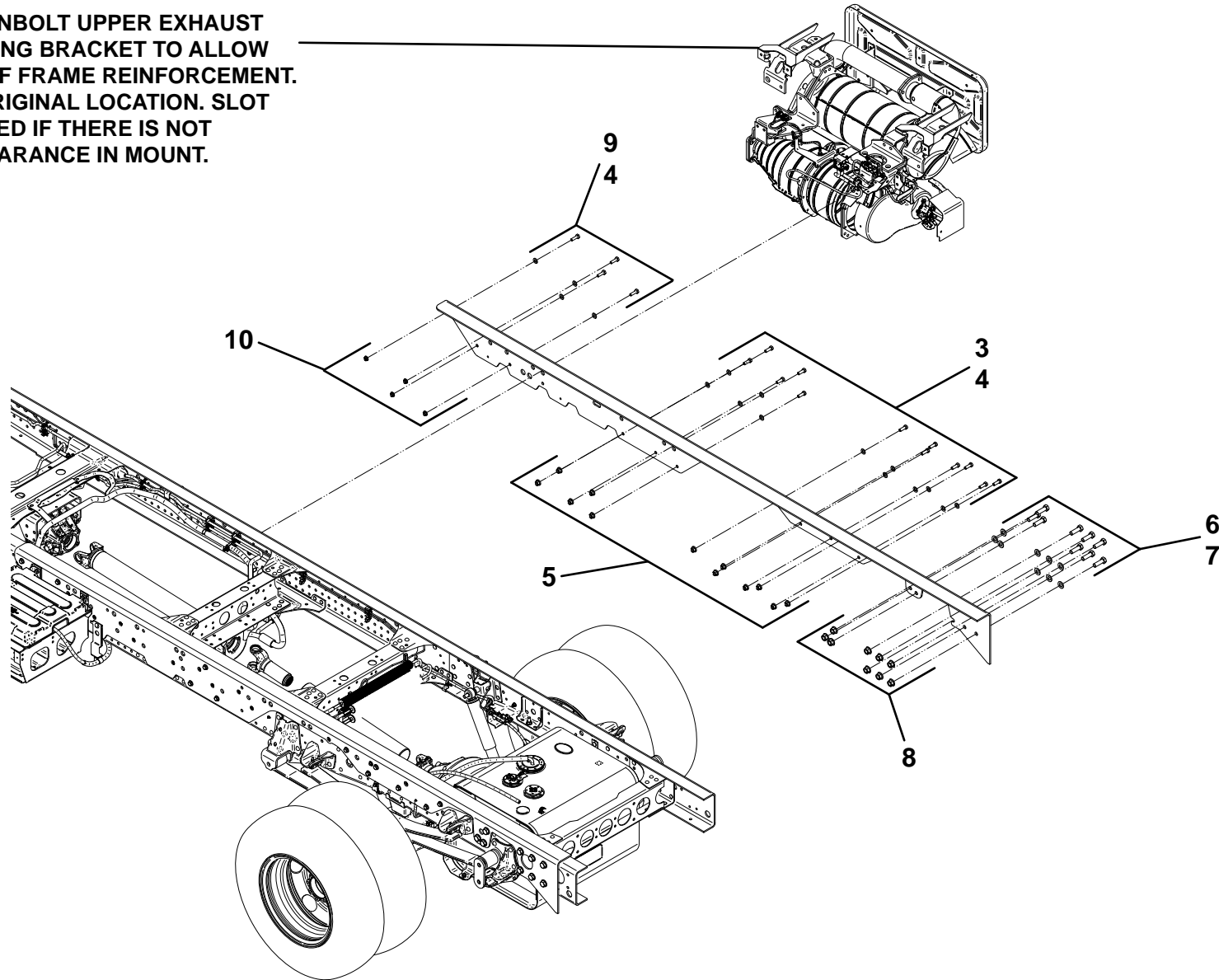
# ISUZU NRR FRAME REINFORCEMENT -150" WB

TEMPORARILY UNBOLT  
BATTERY BOX TO ALLOW  
INSTALLATION OF FRAME  
REINFORCEMENT.  
REINSTALL IN ORIGINAL LOCATION.

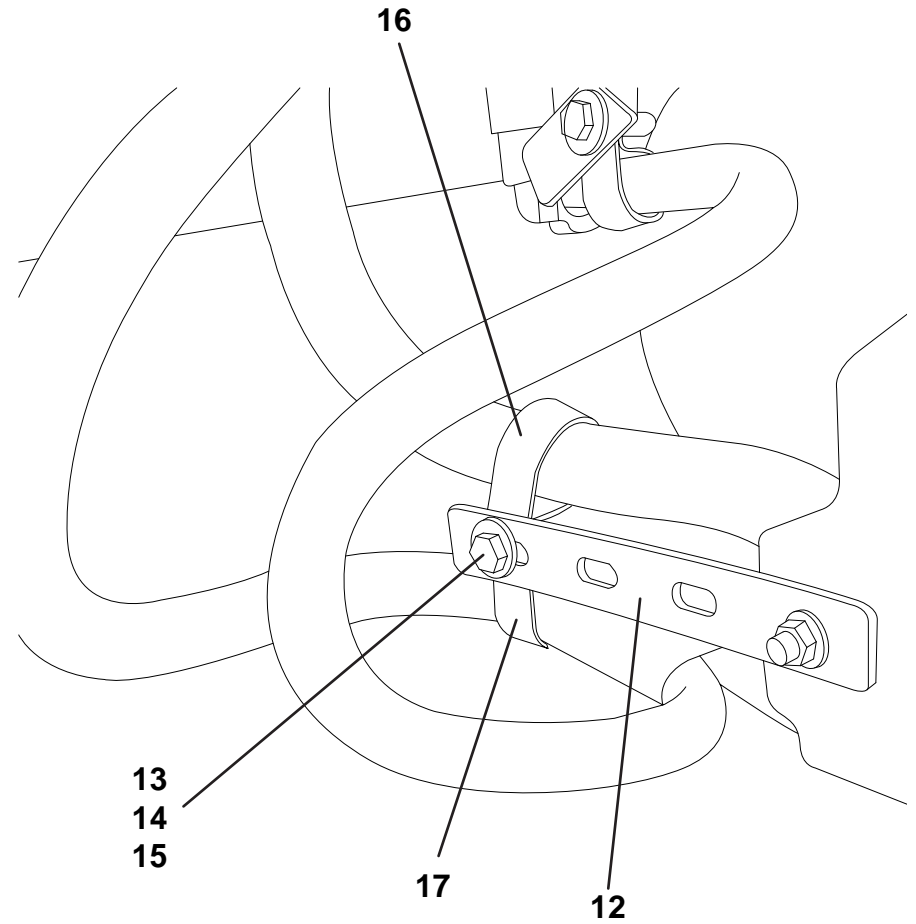
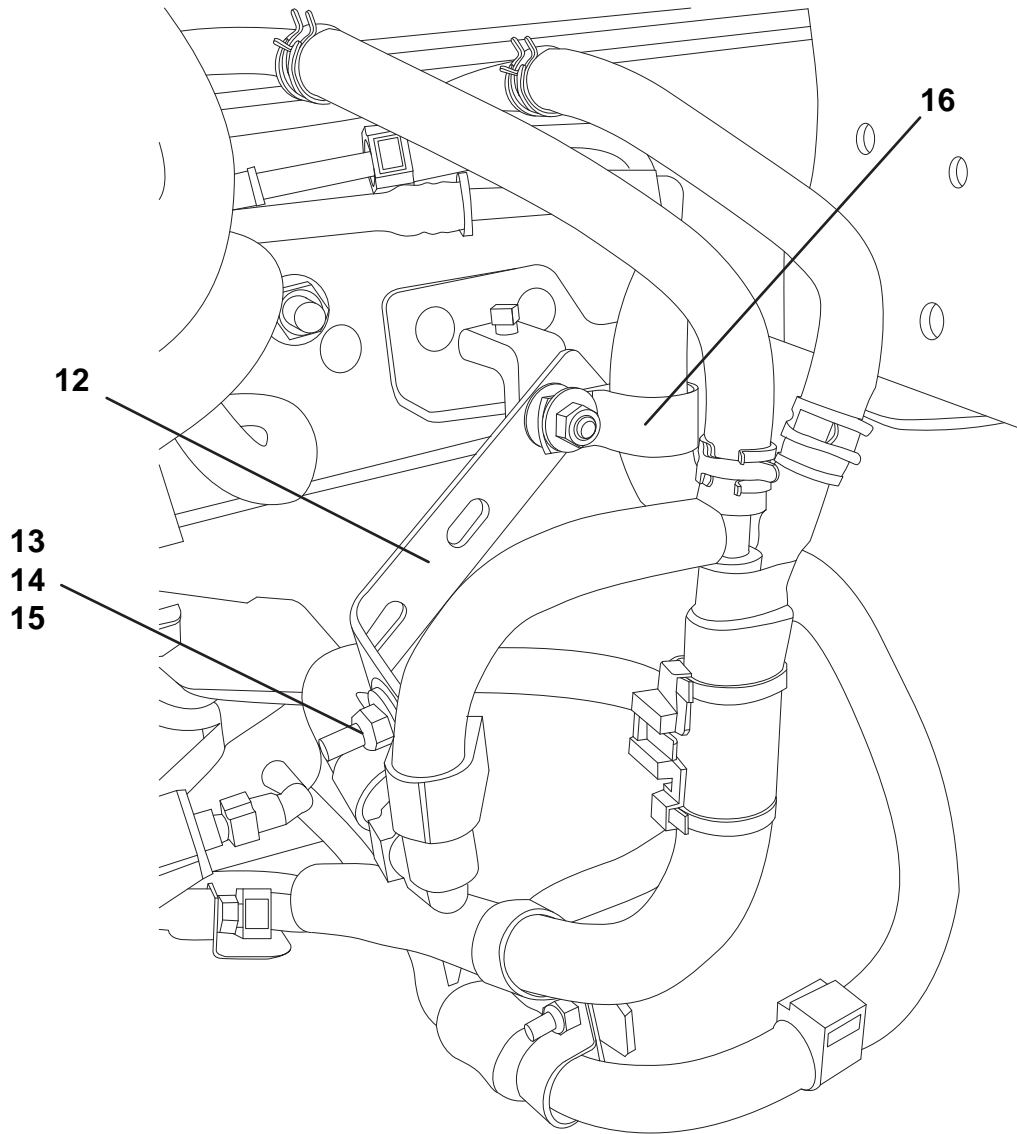


**ISUZU NRR FRAME REINFORCEMENT -150" WB**

TEMPORARILY UNBOLT UPPER EXHAUST SYSTEM MOUNTING BRACKET TO ALLOW INSTALLATION OF FRAME REINFORCEMENT. REINSTALL IN ORIGINAL LOCATION. SLOT HOLES AS NEEDED IF THERE IS NOT SUFFICIENT CLEARANCE IN MOUNT.



# ISUZU NRR FRAME REINFORCEMENT -150" WB



**HYDRAULIC RESERVOIR AND TOOLBOX / BASKET**

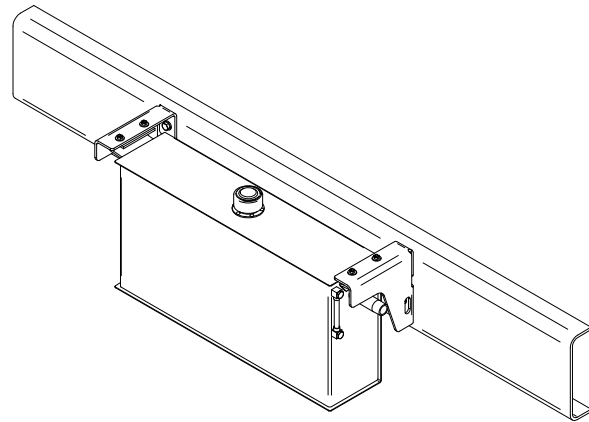
ITEM	PART NO.	DESCRIPTION	QTY	ITEM	PART NO.	DESCRIPTION	QTY
1	4178000331	Mounting Bracket - Short		20	4632000015	Moulding -15" deep basket	
	4178000291	Mounting Bracket - Std.			4632000048	Moulding -24" deep basket	
	4178000339	Mounting Bracket - Long		21	7002000410	Stainless Steel Cover Plate for Basket includes rivet	
2	4178000330	Mounting Bracket - Short		22	1001156006	Bracket Weldment	
	4178000290	Mounting Bracket - Std.		23	7701000051	Plug	
	4178000338	Mounting Bracket - Long					
3	3750000018	Hydraulic Reservoir Assembly					
4	7183000004+	Breather Filler Cap Assembly					
5	7470000027+	Level Gauge					
6	7430000014+	Strainer					
7	7105181650	Capscrew, 0.50"-20NF x 2.00"					
8	7950180153	Flatwasher, 0.50" ID					
9	7660182333	Locknut, 0.50"-20NF					
10	7115150850	Capscrew, 0.31"-18NC x 1.00"					
11	7950150161	Flatwasher, 0.31" ID					
12	7660152601	Locknut, 0.31"-18NC					
13	3899000130	Toolbox Assembly - 36" x 18" x 18"					
	3899000131	Toolbox Assembly - 36" x 18" x 14"					
	3899000132	Toolbox Assembly - 48" x 18" x 18"					
	3899000133	Toolbox Assembly - 60" x 18" x 18"					
	3899000172	Toolbox Assembly - 78" x 21" x 20"					
14	4679000256^	Rubber Pad (36" toolbox)					
	4679000257^	Rubber Pad (48" toolbox)					
	4679000258^	Rubber Pad (60" toolbox)					
	4679000322^	Rubber Pad (78" toolbox)					
15	7118181216	Capscrew, 0.50"-13NC x 1.50"					
16	7660182301	Locknut, 0.50"-13NC					
17	4706002361	Plate					
18	4017000777	High Mount Angle					
19	3899000053	Basket -15" deep					
	3899000075	Basket -24" deep					

+ also available in Hydraulic Reservoir Assembly, P/N 3750000018

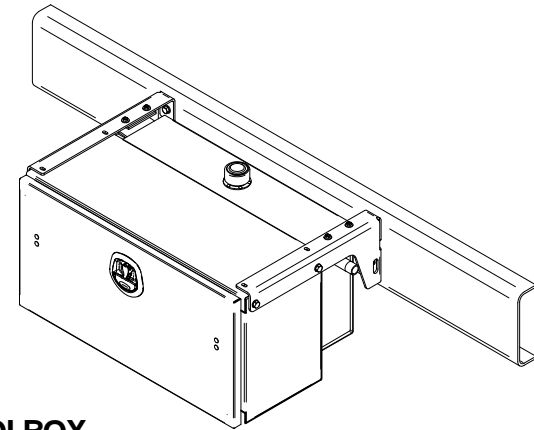
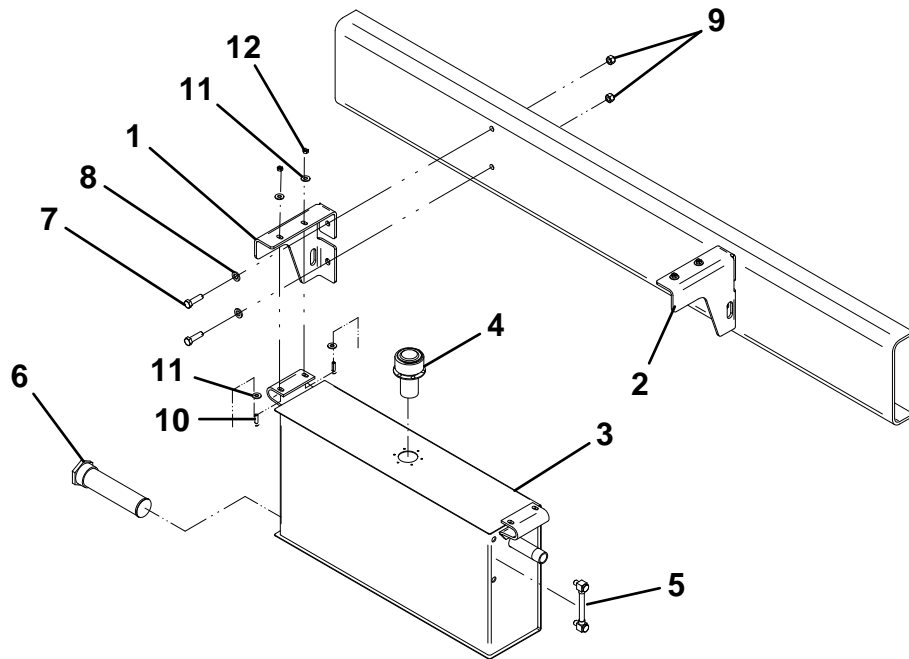
^ included in Toolbox Assembly

\*Quantities vary depending on Hydraulic Tank / Toolbox / Basket mounting configuration.

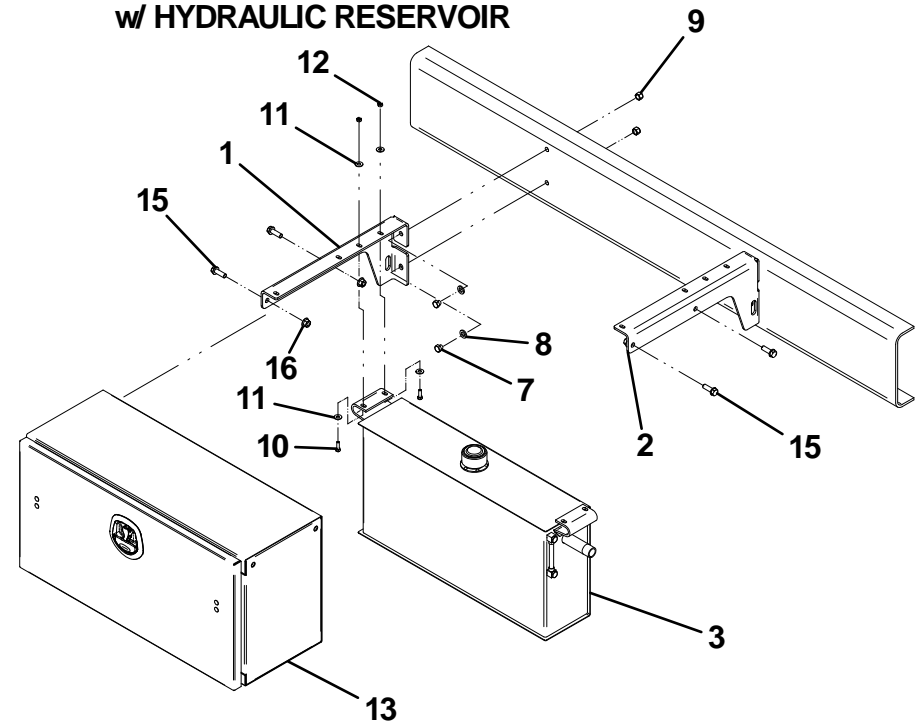
# HYDRAULIC RESERVOIR AND TOOLBOX / BASKET

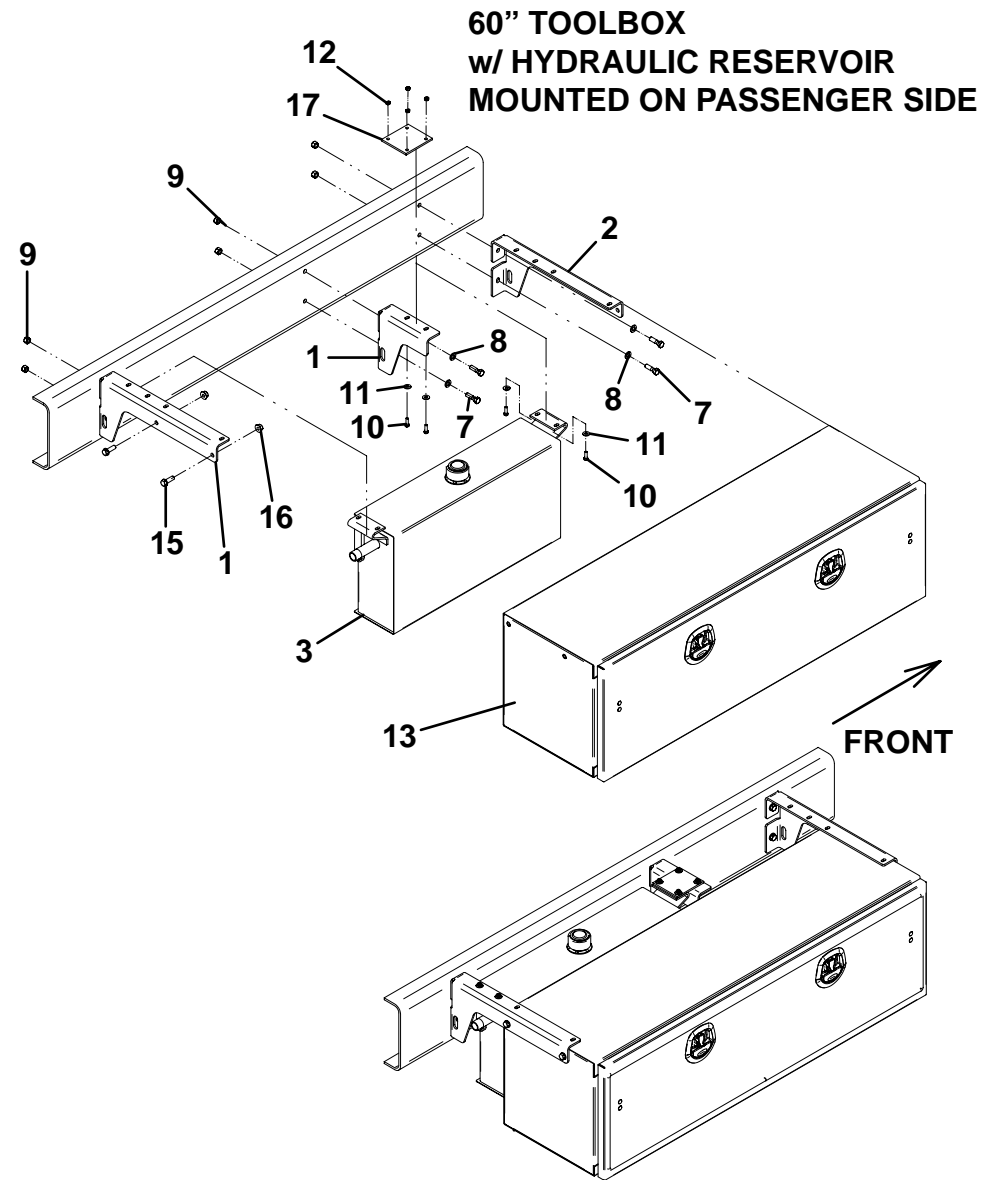
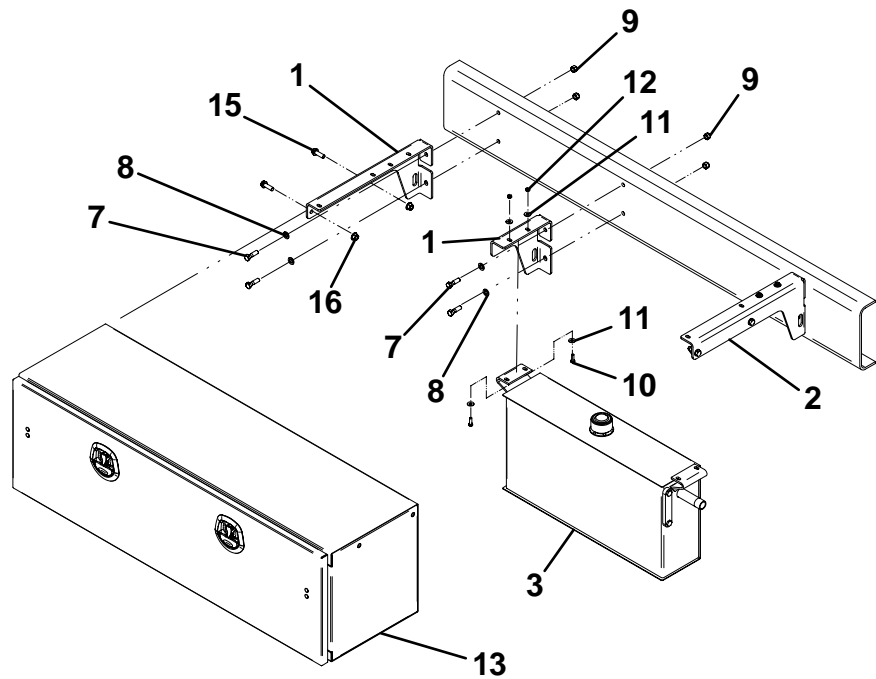
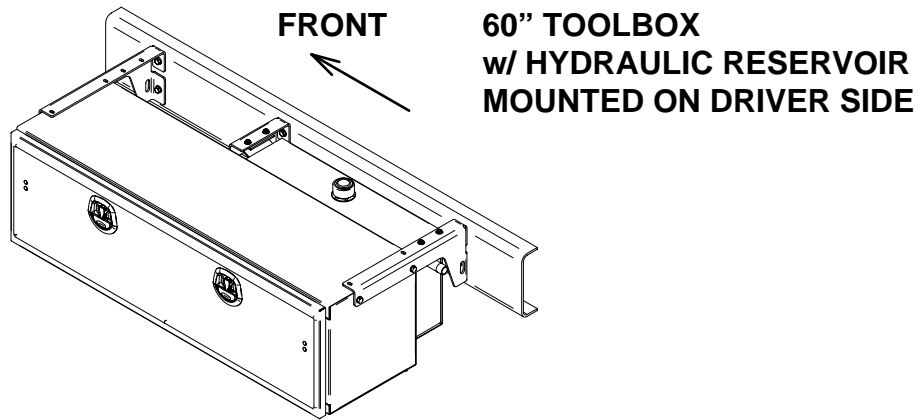


HYDRAULIC TANK ONLY



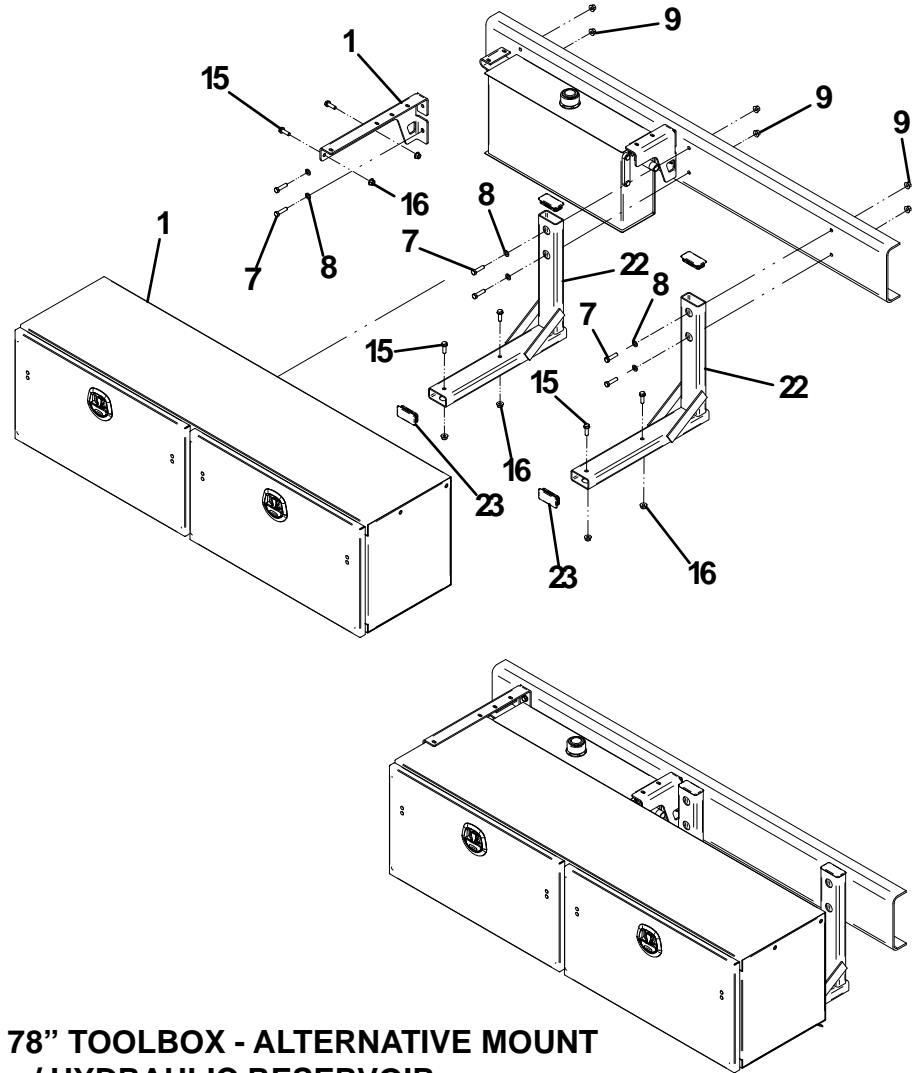
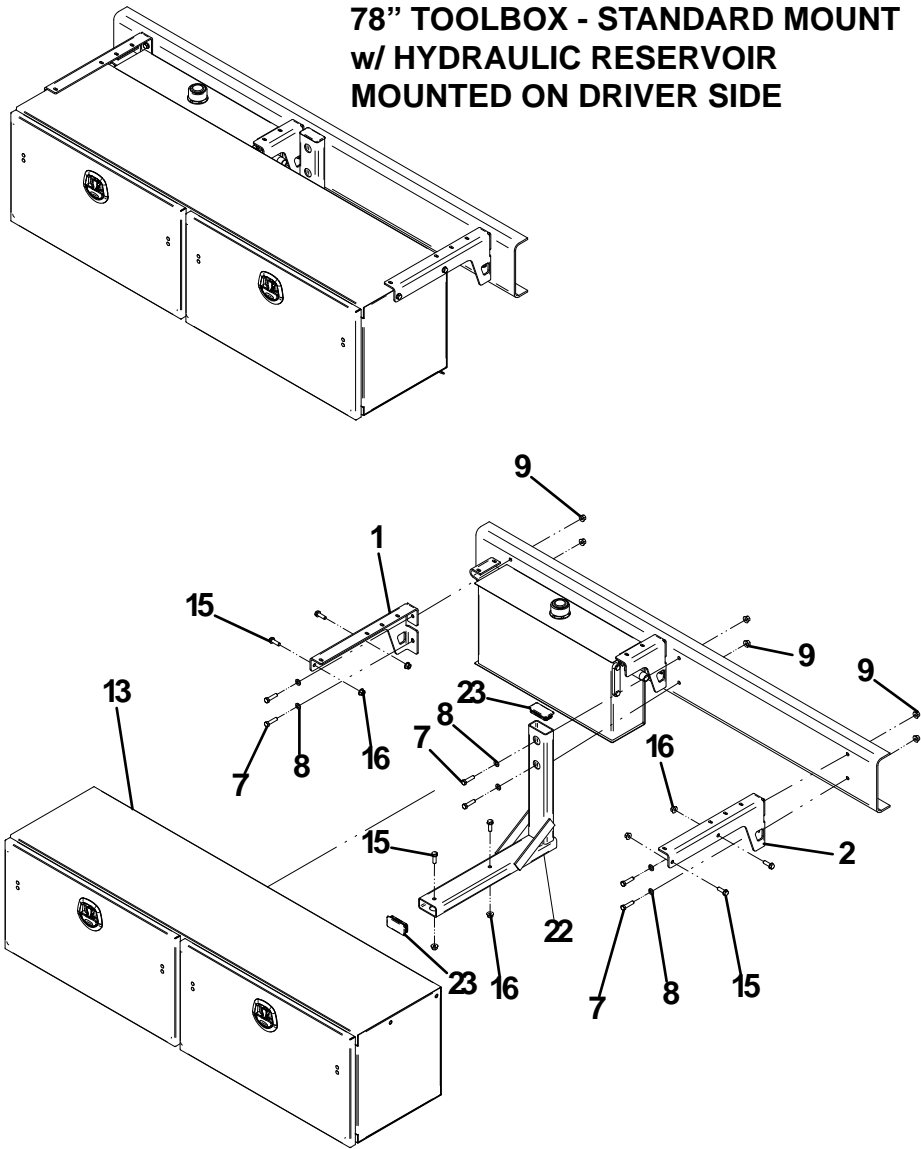
36" TOOLBOX  
w/ HYDRAULIC RESERVOIR



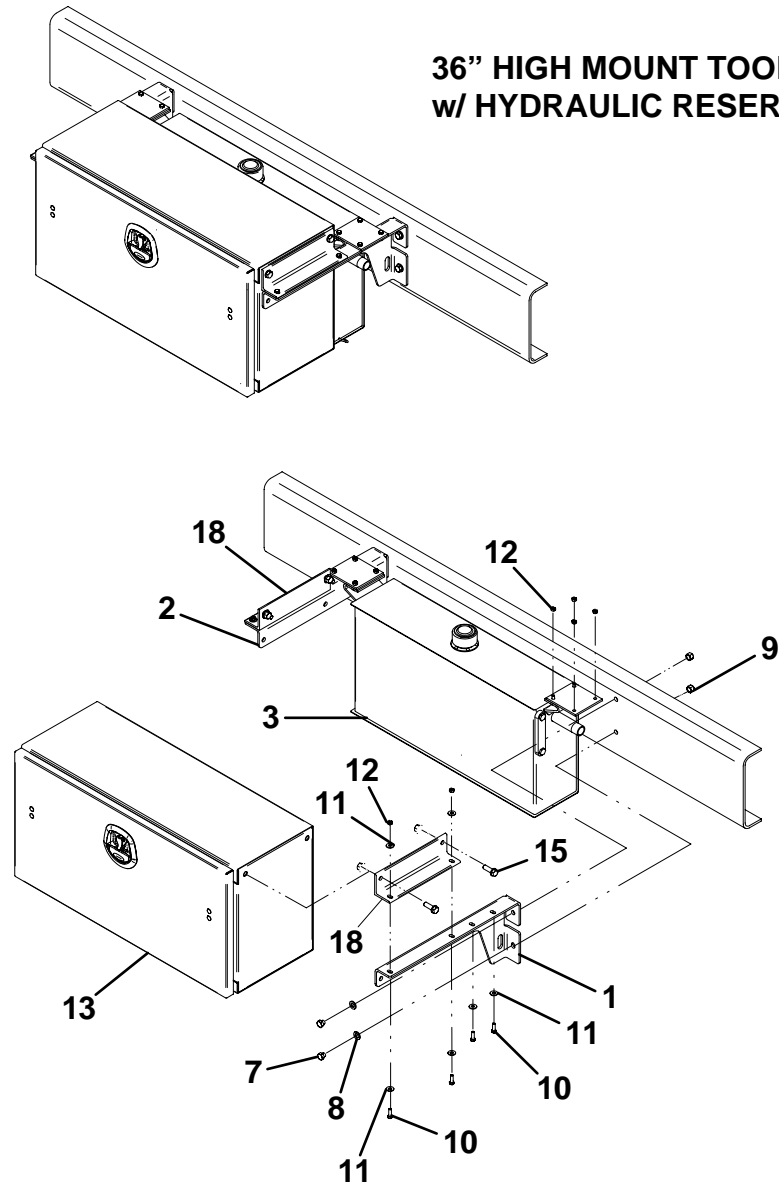
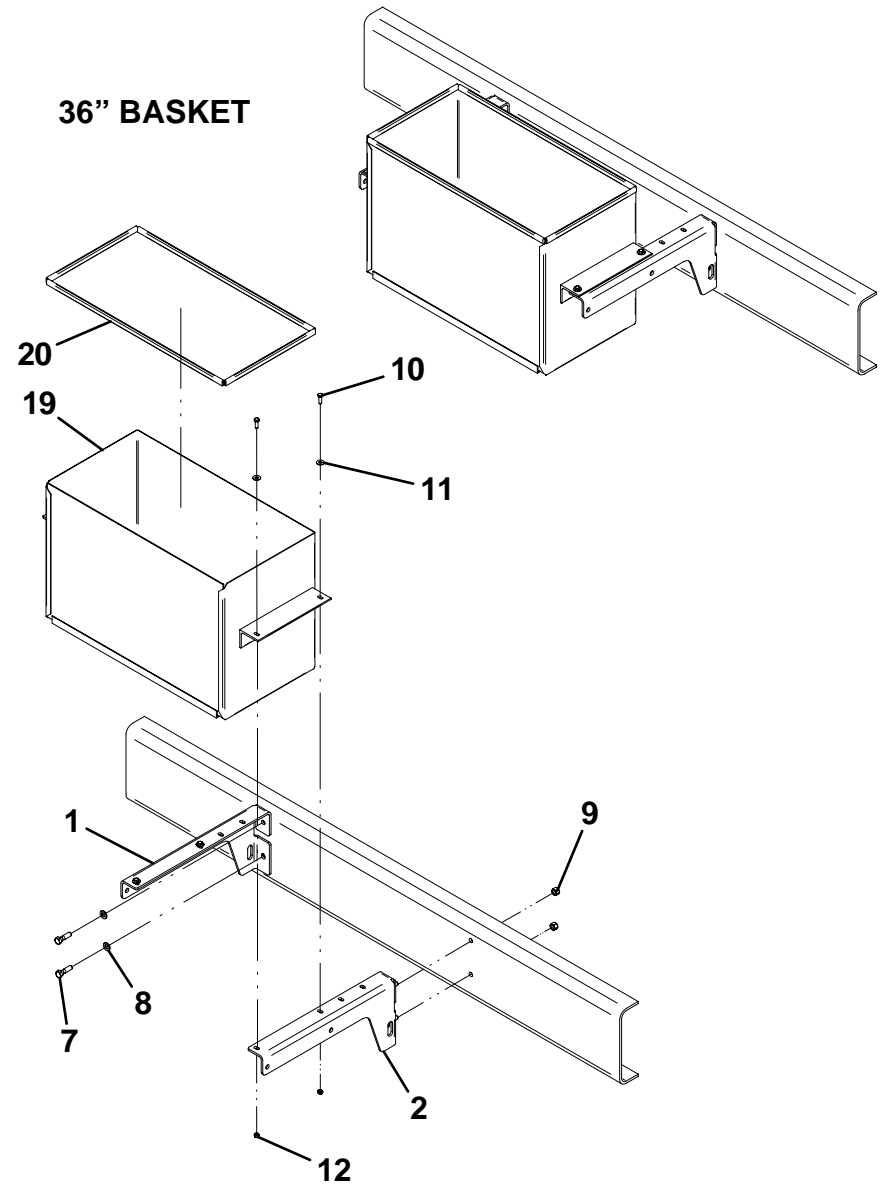
**HYDRAULIC RESERVOIR AND TOOLBOX / BASKET**

# HYDRAULIC RESERVOIR AND TOOLBOX / BASKET

**78" TOOLBOX - STANDARD MOUNT  
w/ HYDRAULIC RESERVOIR  
MOUNTED ON DRIVER SIDE**



**78" TOOLBOX - ALTERNATIVE MOUNT  
w/ HYDRAULIC RESERVOIR  
MOUNTED ON DRIVER SIDE**

**HYDRAULIC RESERVOIR AND TOOLBOX / BASKET****36" HIGH MOUNT TOOLBOX  
w/ HYDRAULIC RESERVOIR****36" BASKET**



## HYDRAULIC RESERVOIR AND TOOLBOX / BASKET

THIS PAGE INTENTIONALLY LEFT BLANK

## TOOLBOX

ITEM	PART NO.	DESCRIPTION	QTY	ITEM	PART NO.	DESCRIPTION	QTY				
1	3899000125	Toolbox Weld (36" toolbox)	1	<b>Toolbox Door Assembly Components (per door)</b>							
	3899000126	Toolbox Weld (60" toolbox)	1								
	3899000127	Toolbox Weld (48" toolbox)	1								
	3899000173	Toolbox Weld (78" toolbox)	1								
2	4679000256	Rubber Pad (36" toolbox)	1					101	4706005020	Toolbox Door (36" toolbox)	1
	4679000257	Rubber Pad(36" narrow toolbox)	1						4706005021	Toolbox Door (48" toolbox)	1
	4679000258	Rubber Pad (48" toolbox)	1						4706005022	Toolbox Door (60" toolbox)	1
	4679000258	Rubber Pad (60" toolbox)	1						4706006234	Toolbox Door (78" toolbox)	1
3	4679000322	Rubber Pad (78" toolbox)	1					102	7585000019^	Latch (36" & 78")	1
	4796000009	Gasket (36" toolbox)	1						7585000019^	Latch (48" & 60")	2
	4796000010	Gasket (48" toolbox)	1					103	7555000016*	Hinge (36" & 78" toolbox)	1
	4796000011	Gasket (60" toolbox)	1						7555000016*	Hinge (60" toolbox)	2
4	4796000012	Gasket (78" toolbox)	2						7555000015*	Hinge (48" toolbox)	1
	9899000014	Toolbox Door Assembly (36" toolbox)	1					104	7759000020*^	Rivet (36" & 78" toolbox)	18
	9899000015	Toolbox Door Assembly (48" toolbox)	1		7759000020*^	Rivet (48" toolbox)	28				
	9899000016	Toolbox Door Assembly (60" toolbox)	1		7759000020*^	Rivet (60" toolbox)	36				
	9899000023	Toolbox Door Assembly (78" toolbox)	1	105	4178000599*	Bracket	2				
				106	7114140465*	Carriage Bolt, 0.25"-20NC x 0.50"	4				
				107	7660142604*	Locknut, 0.25"-20NC	4				
				108	7592000005^	S Link (36", 48", 60" toolbox)	4				
					7592000005^	S Link (78" toolbox)	8				
				109	7248000114^	Cable (36", 48", & 60" toolbox)	2				
					7248000155^	Cable (78" toolbox)	4				

\* Also available in Toolbox Door Sub-Assembly:

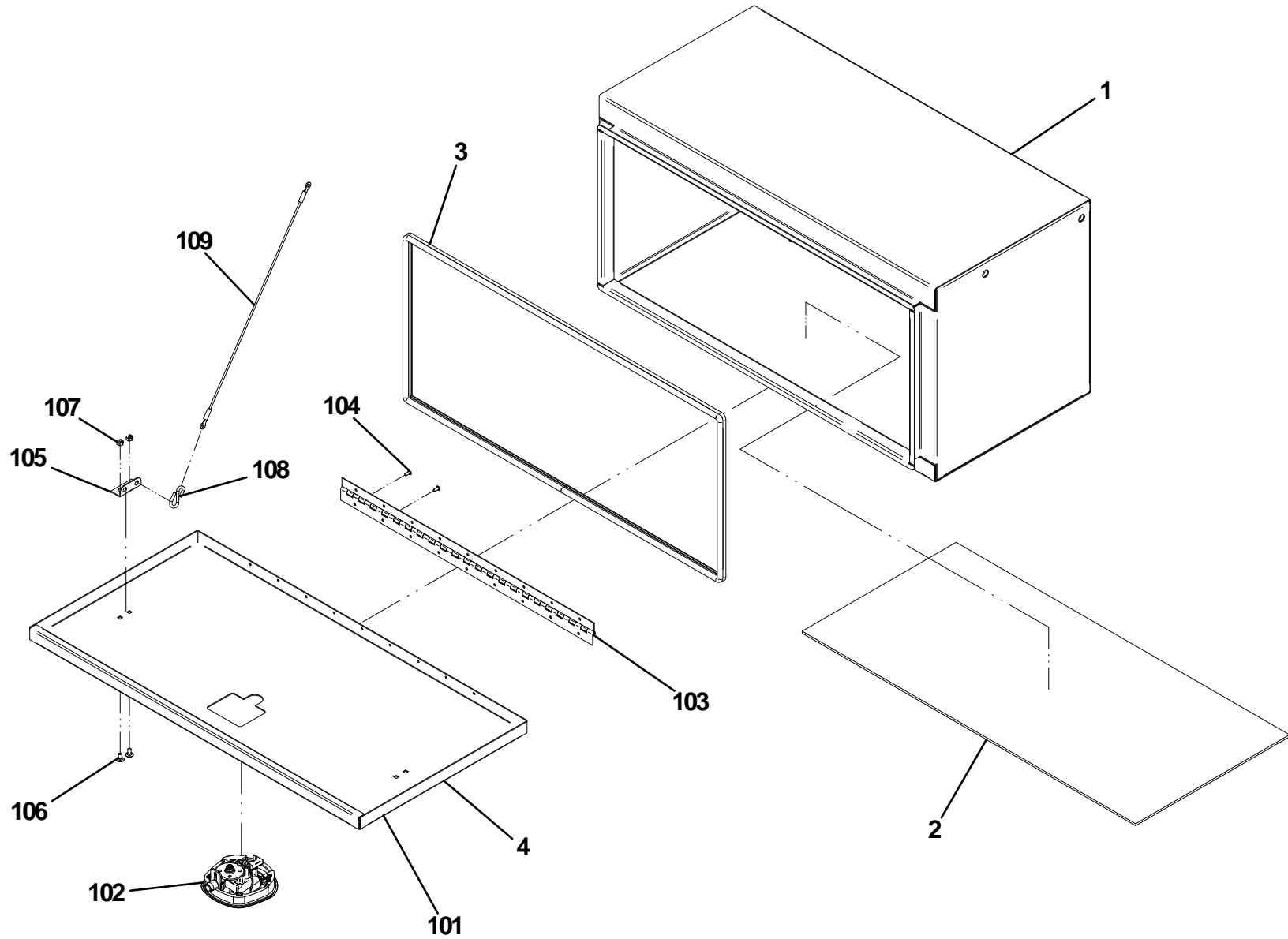
- 9899000020 - 36" Toolbox
- 9899000021 - 48" Toolbox
- 9899000022 - 60" Toolbox
- 9899000024 - 78" Toolbox

^ Also available in Toolbox Door Hardware Kit:

- 9577030278 - 36" Toolbox
- 9577030279 - 48" Toolbox
- 9577030280 - 60" Toolbox
- 9577030303 - 78" Toolbox

Quantities listed are for one toolbox

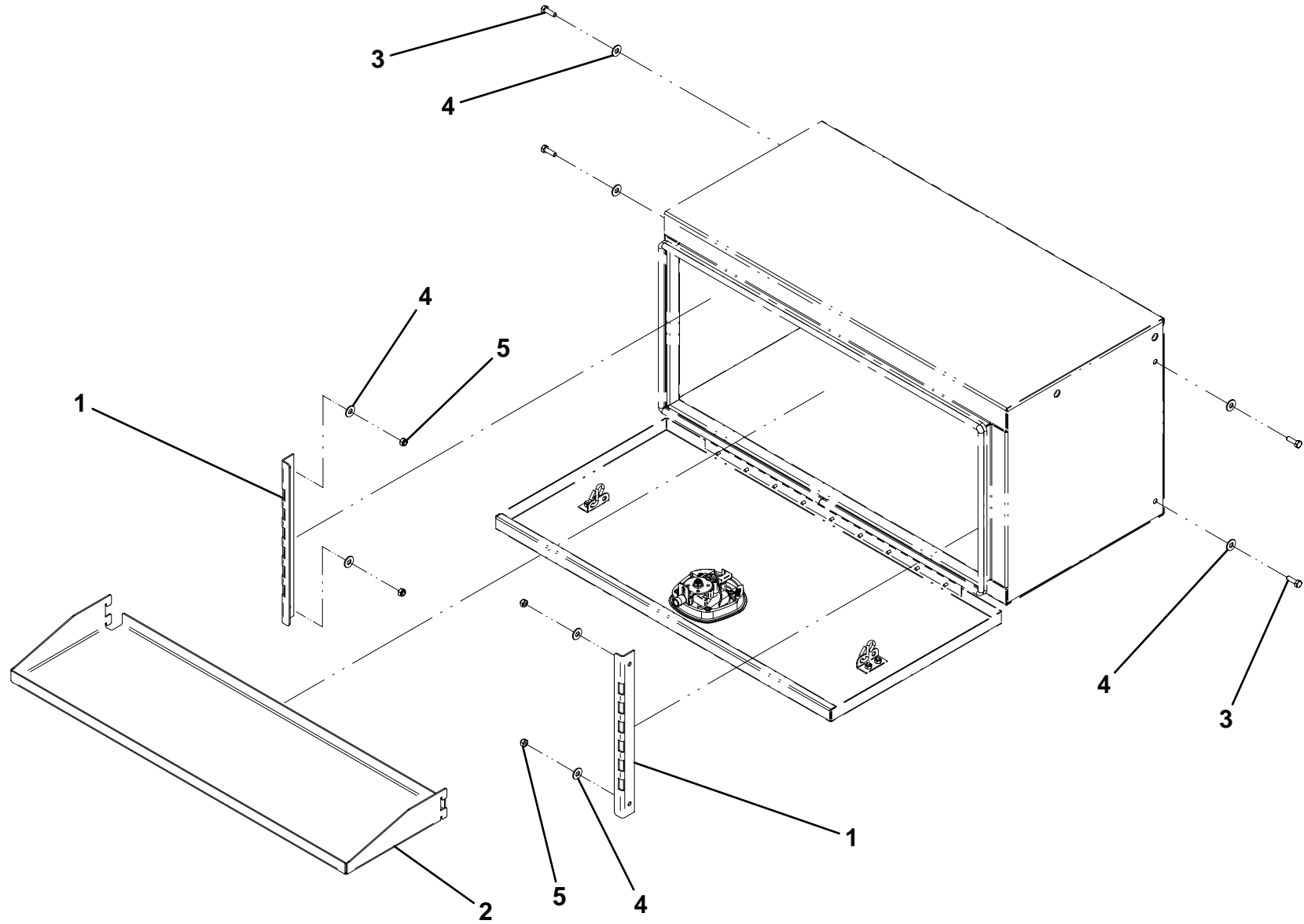
# TOOLBOX



**TOOLBOX SHELF**

ITEM	PART NO.	DESCRIPTION	QTY
1	4017001403	Angle	2
2	4811000841	Shelf (36" toolbox)	1
	4811000843	Shelf (48" toolbox)	
	4811000868	Shelf (60" toolbox)	
3	7115150850	Capscrew, 0.31"-18NC x 1.00"	4
4	7950150161	Flatwasher, 0.31" ID	8
5	7660152601	Locknut, 0.31"-18NC	4

# TOOLBOX SHELF



**TOOLBOX LIGHT**

ITEM	PART NO.	DESCRIPTION	QTY
1	4178000578*	Bracket	1
2	7590000273*	Dome Light	1
3	7870000115*	Switch	1
4	7280000007*	Wire Mount Clip	3
5	7661000047*	Panel Nut	4
6	7790100856*	Screw, #10 x 0.50"	4
7	7443000377	Fitting	1
8	7552000297	Toolbox Light Harness	1

\* included in Toolbox Light Bracket Assembly P/N 3178000437

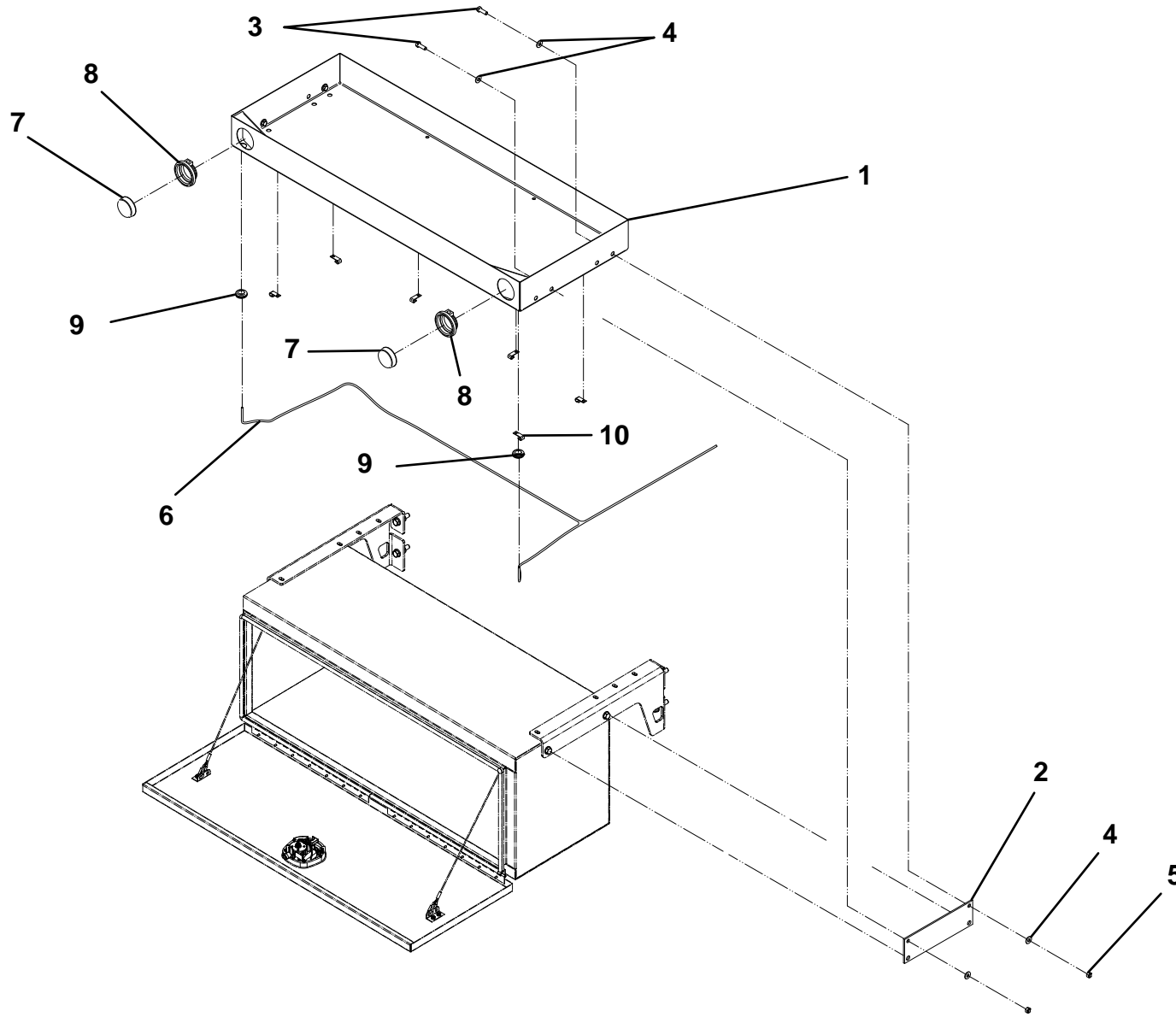


**TOOLBOX TOP STORAGE TRAY AND MARKER LIGHTS**

ITEM	PART NO.	DESCRIPTION	QTY
1	3811000053*	Tray Weldment (36" Toolbox)	1
	3811000054	Tray Weldment (48" Toolbox)	
	3811000055	Tray Weldment (60" Toolbox)	
	3811000057	Tray Weldment (78" Toolbox)	
2	4706006216	Plate	2
3	7115160950	Capscrew, 0.38"-16NC x 1.12"	4
4	7950150161	Flatwasher, 0.38" ID	8
5	7660162601	Locknut, 0.38"-16NC	8
6	7552000451	Toolbox Light Tray Harness	1
7	7590000342	Marker Light - Amber (LED)	2
8	7493000009	Grommet	2
9	7493000031	Grommet	2
10	7894000004	Tie Strap	6



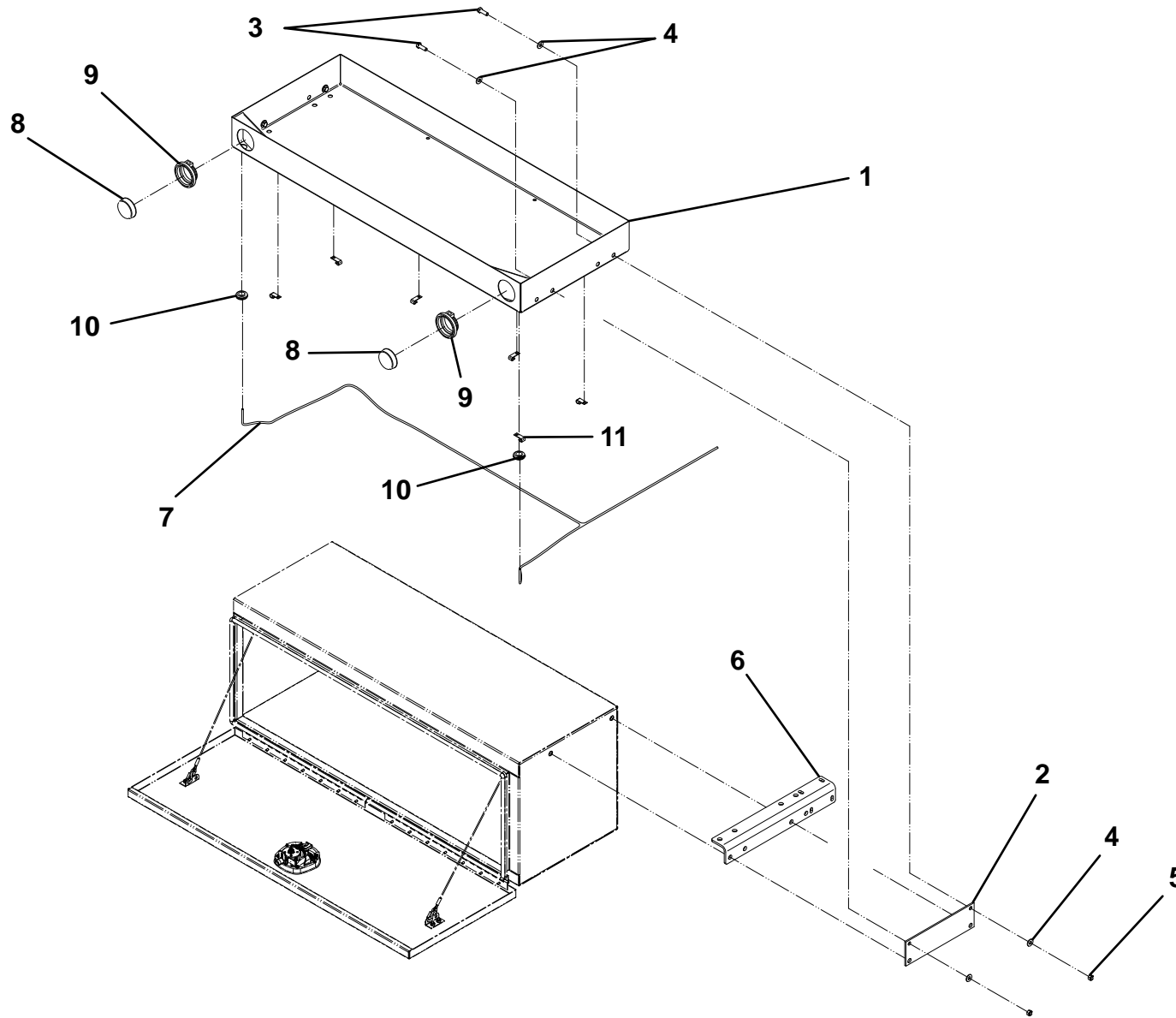
# TOOLBOX TOP STORAGE TRAY AND MARKER LIGHTS



**TOOLBOX TOP STORAGE TRAY AND MARKER LIGHTS W/UNDERBOX MOUNT**

ITEM	PART NO.	DESCRIPTION	QTY
1	3811000053*	Tray Weldment (36" Toolbox)	1
	3811000054	Tray Weldment (48" Toolbox)	
	3811000055	Tray Weldment (60" Toolbox)	
	3811000057	Tray Weldment (78" Toolbox)	
2	4706006216	Plate	2
3	7115160950	Capscrew, 0.38"-16NC x 1.12"	4
4	7950150161	Flatwasher, 0.38" ID	8
5	7660162601	Locknut, 0.38"-16NC	8
6	1001155975	Bracket	1
7	7552000451	Toolbox Light Tray Harness	1
8	7590000342	Marker Light - Amber (LED)	2
9	7493000009	Grommet	2
10	7493000031	Grommet	2
11	7894000004	Tie Strap	6

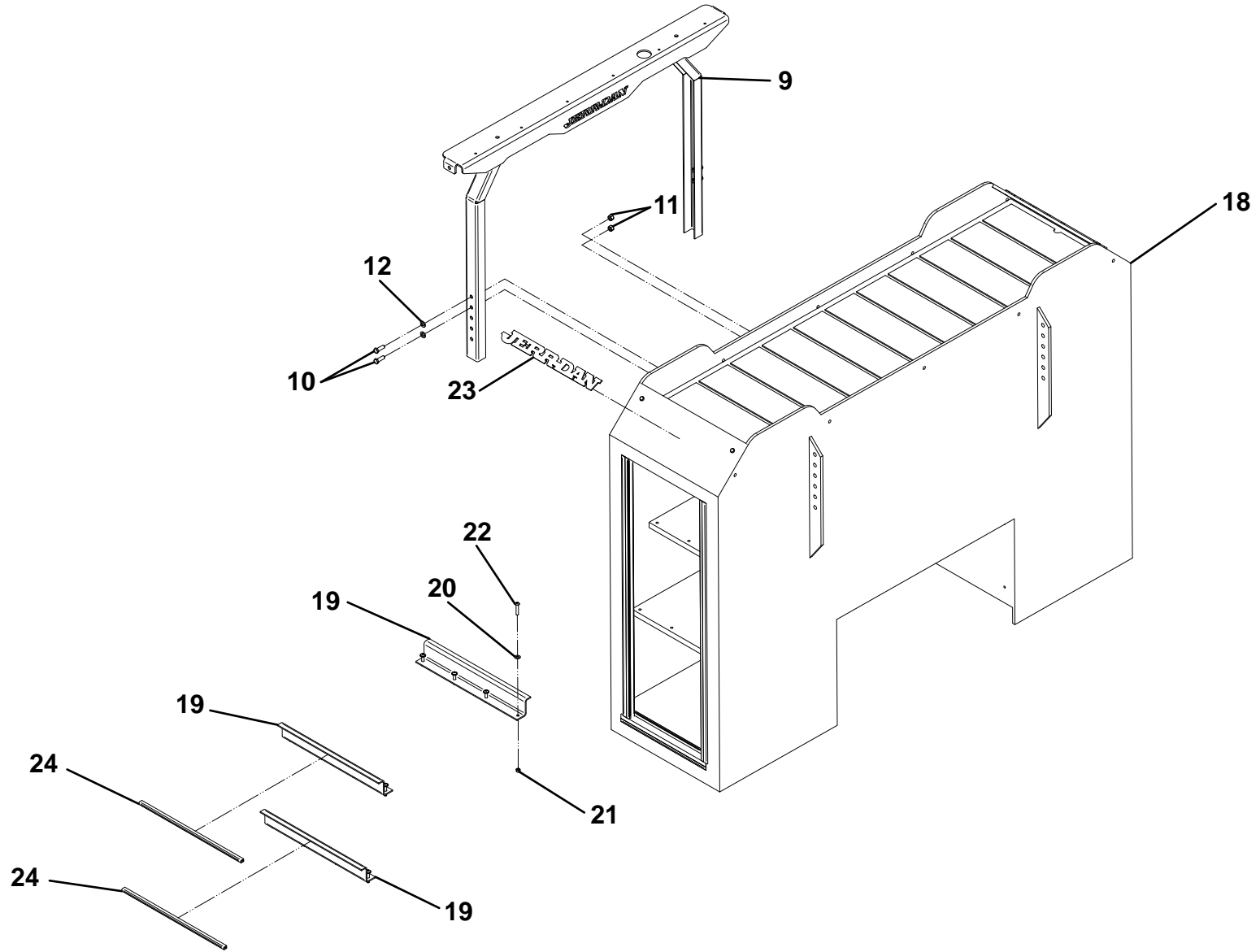
# TOOLBOX TOP STORAGE TRAY AND MARKER LIGHTS W/ UNDERBOX MOUNT

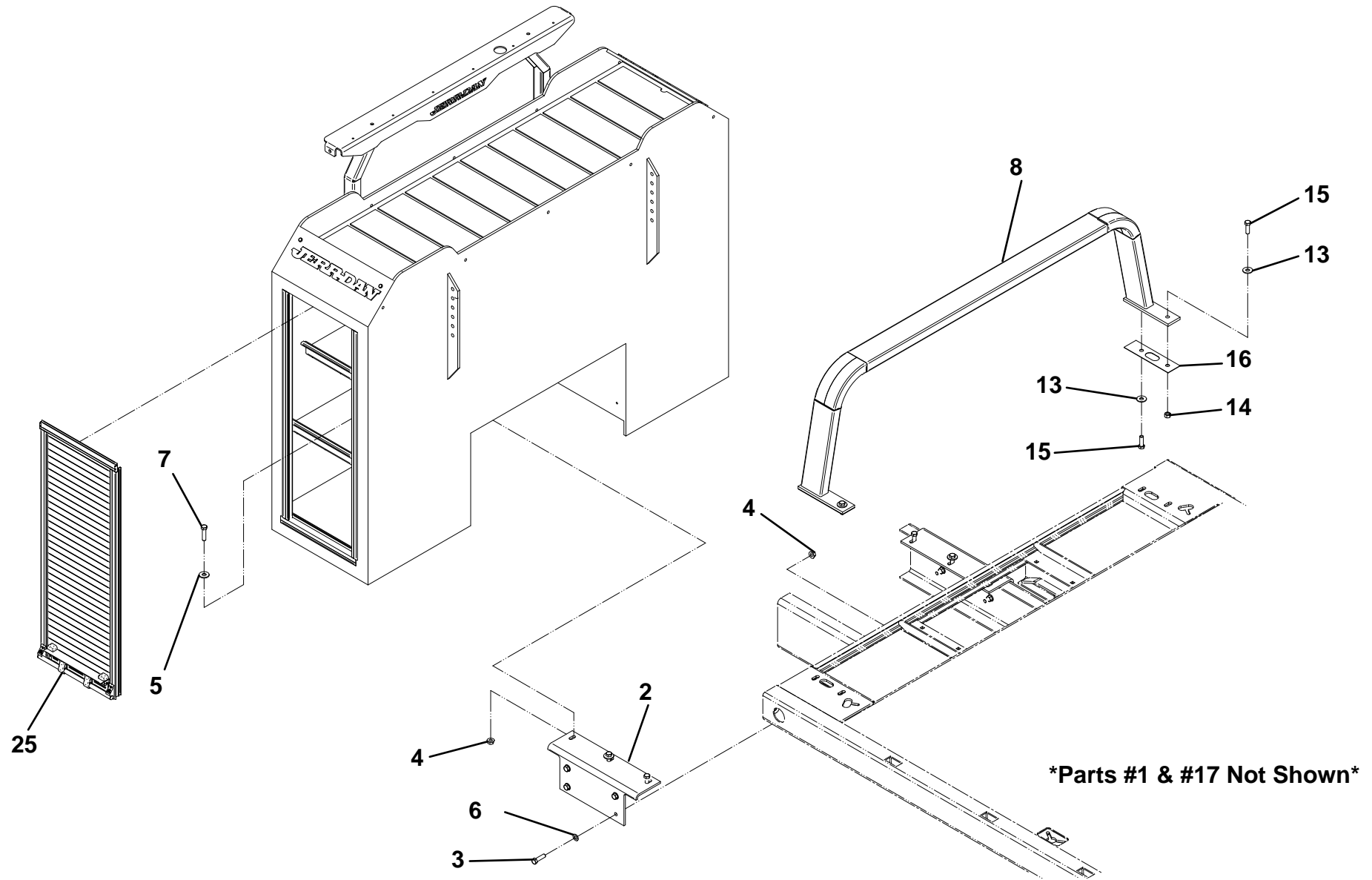


**24" TUNNEL TOOLBOX INSTALLATION**

ITEM	PART NO.	DESCRIPTION	QTY
1	1001143227	Toolbox Assembly	1
2	1001148455	Bracket	2
3	7105201850	Bolt, 0.62"-18NF x 2.25"	8
4	7660202347	Locknut, 0.63"-18NF	14
5	7950200161	Flatwasher, 0.63" ID	6
6	7950200242	Flatwasher, 0.63" ID	8
7	7105202050	Bolt, 0.62"-18NF x 2.50"	6
8	1001148180	Bumper	1
9	1001148385	Bracket	1
10	7115181250	Capscrew, 0.50"-13NC x 1.50"	4
11	7660182601	Locknut, 0.50"-13NC	4
12	7950180153	Flatwasher, 0.50" ID	4
13	7950200152	Flatwasher, 0.62" ID	4
14	7660200035	Nut, 0.63"-18NF	2
15	7105201650	Bolt, 0.62"-18NF x 2.00"	4
16	4796000037	Gasket	2
17	1001146552	Harness	1
		<b>Toolbox Assembly -1001143227</b>	
18	1001142430	Toolbox	1
19	1001143257	Bracket	6
20	7950160153	Flatwasher, 0.38" ID	24
21	7660162601	Locknut, 0.38"-16NC	24
22	7114161618	Capscrew, 0.38"-16NC x 2.00"	24
23	7330000408	Decal, Jerr-Dan Logo	2
24	8632000002	Trim	7.5 ft
25	70050659	R.O.M. Door	2

# 24" TUNNEL TOOLBOX INSTALLATION



**24" TUNNEL TOOLBOX INSTALLATION**

## 24" TUNNEL TOOLBOX INSTALLATION

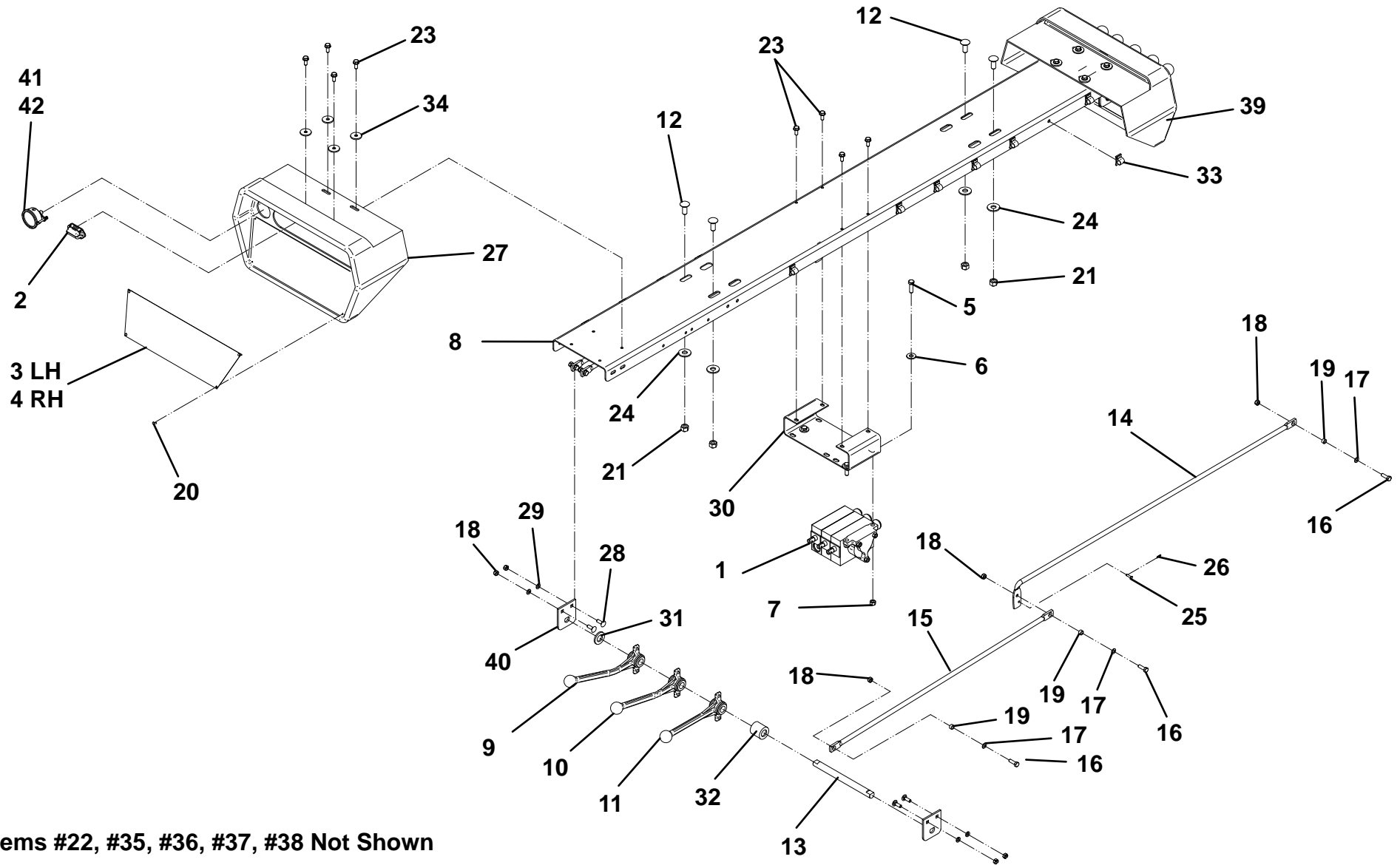
THIS PAGE INTENTIONALLY LEFT BLANK

**DUAL CONTROLS - 3 BANK**

ITEM	PART NO.	DESCRIPTION	QTY	ITEM	PART NO.	DESCRIPTION	QTY
1	3935000115	Valve Assy 3 Bank w/TR	1	40	4606000217	Plate	4
2	1001143764	Lamp	2	41	7470000023	Gauge	1
3	7330000648	Decal, w/ IRL LH	1	42	7661000057	Nut, M5	2
4	7330000649	Decal, w/ IRL RH	1				
5	7111161050	Capscrew, 0.38"-16NC x 1.25"	4				
6	7950160161	Flatwasher, 0.38" ID	4				
7	7660162601	Locknut, 0.38"-16NC	4				
8	1001170189	Channel	1				
9	7551000021	Handle Control 2.20" Offset	2				
10	7551000020	Handle Control 1.32" Offset	2				
11	7551000018	Handle Control Straight	2				
12	7115181064	Bolt .50"-13NC x 1.25" Carriage	4				
13	7691000064	Rod,Controls 0.75 Dia x 9.00	2				
14	1001170187	Rod, 90 Deg Bent 96"	3				
15	1001170188	Rod, Straight 96"	3				
16	7115150850	Capscrew, 0.31"-18NC x 1.00"	9				
17	7949000011	Flatwasher, 0.328"ID	9				
18	7660152601	Locknut, 0.31"-18NC	17				
19	4831000069	Spacer, Control Linkage	9				
20	7759000006	Pop Rivet	8				
21	7660182601	Locknut, 0.50"-13NC	4				
22	8632000012	Trim	0.5				
23	7790151253	Screw, 0.31"-18NC x 0.75"	12				
24	7950180161	Flatwasher, 0.50" ID	4				
25	7690101200	Pin	3				
26	7691000056	Pin, Hairpin Cotter	3				
27	3560000010	Control Hood Assy W/Gauge	1				
28	7115150664	Bolt, 0.31"-18NC x 0.75"	8				
29	7950150161	Washer, 0.31" ID	8				
30	1001135272	Channel	1				
31	7950220141	Flatwasher, 0.75" ID	2				
32	4211000001	Bushing	4				
33	7280000007	Clip	11				
34	7949000054	Washer, 0.34" ID	8				
35	7950140141	Flatwasher, 0.25" ID	1				
36	7660142601	Locknut, 0.25"-20NC	1				
37	7115140650	Capscrew, 0.25"-20NC x 0.75"	1				
38	7274000063	Clamp	1				
39	7560000007	Control Hood, RH	1				



# DUAL CONTROLS - 3 BANK

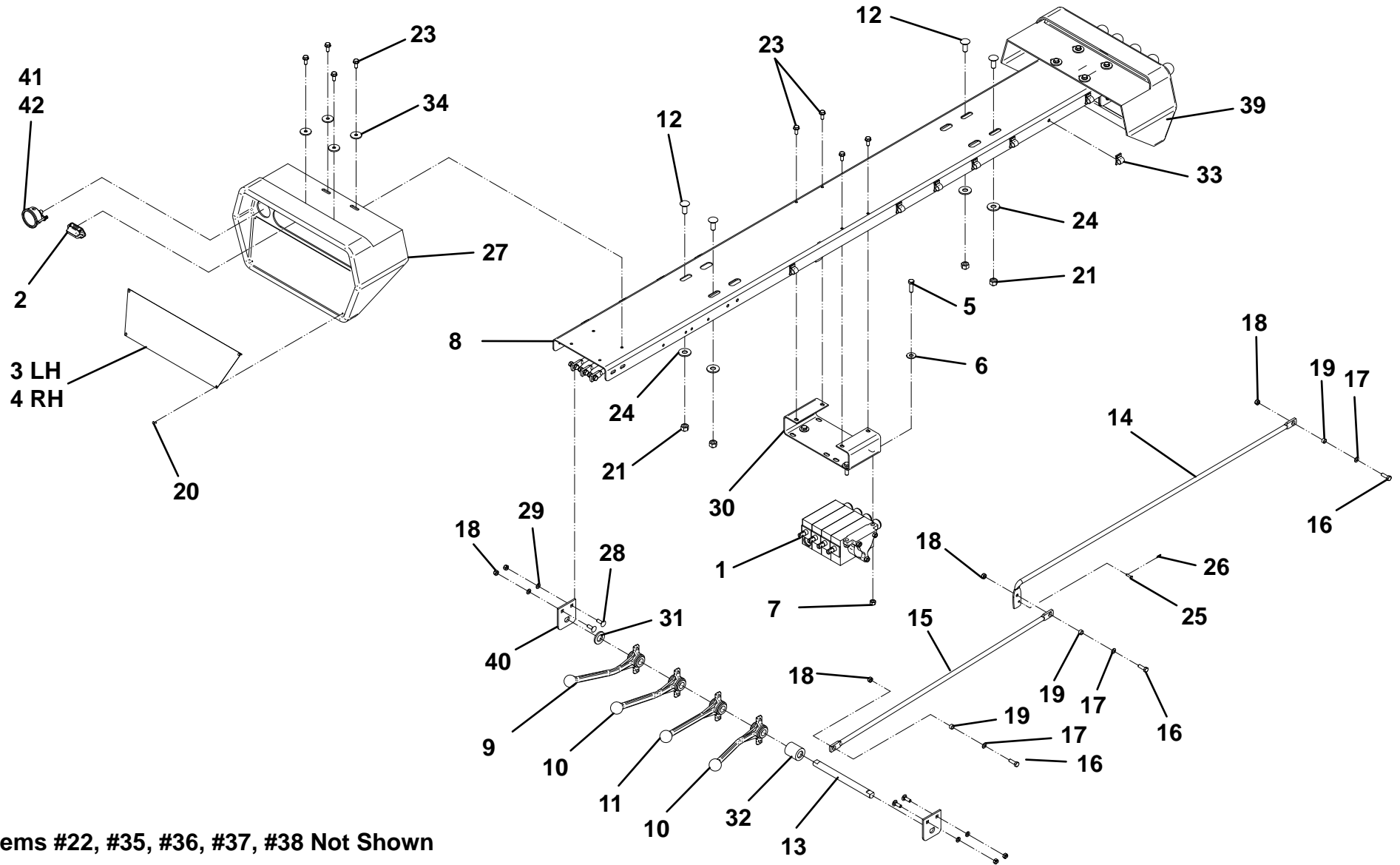


Items #22, #35, #36, #37, #38 Not Shown

**DUAL CONTROLS - 4 BANK**

ITEM	PART NO.	DESCRIPTION	QTY	ITEM	PART NO.	DESCRIPTION	QTY
1	1001145986	Valve,Assy 4 Bank	1	37	7115140650	Capscrew, 0.25"-20NC x 0.75"	1
	3935000116	Valve Assy 4 Bank w/TR	1	38	7274000063	Clamp	1
2	1001143764	Lamp	2	39	7560000007	Control Hood, RH	1
3	7330000650	Decal, w/Stabilizer LH	1	40	4606000217	Plate	4
	7330000648	Decal, w/ IRL LH	1	41	7470000023	Gauge	1
4	7330000651	Decal, w/Stabilizer LH	1	42	7661000057	Nut, M5	2
	7330000649	Decal, w/ IRL RH	1				
5	7111161050	Capscrew, 0.38"-16NC x 1.25"	4				
6	7950160161	Flatwasher, 0.38" ID	4				
7	7660162601	Locknut, 0.38"-16NC	4				
8	1001170189	Channel	1				
9	7551000021	Handle Control 2.20" Offset	2				
10	7551000020	Handle Control 1.32" Offset	4				
11	7551000018	Handle Control Straight	2				
12	7115181064	Bolt .50"-13NC x 1.25" Carriage	4				
13	7691000064	Rod,Controls 0.75 Dia x 9.00	2				
14	1001170187	Rod, 90 Deg Bent 96"	4				
15	1001170188	Rod, Straight 96"	4				
16	7115150850	Capscrew, 0.31"-18NC x 1.00"	12				
17	7949000011	Flatwasher, 0.328"ID	12				
18	7660152601	Locknut, 0.31"-18NC	20				
19	4831000069	Spacer, Control Linkage	12				
20	7759000006	Pop Rivet	8				
21	7660182601	Locknut, 0.50"-13NC	4				
22	8632000012	Trim	0.5				
23	7790151253	Screw, 0.31"-18NC x 0.75"	12				
24	7950180161	Flatwasher, 0.50" ID	4				
25	7690101200	Pin	4				
26	7691000056	Pin, Hairpin Cotter	4				
27	3560000010	Control Hood Assy W/Gauge	1				
28	7115150664	Bolt, 0.31"-18NC x 0.75"	8				
29	7950150161	Washer, 0.31" ID	8				
30	1001135272	Channel	1				
31	7950220141	Flatwasher, 0.75" ID	2				
32	4211000001	Bushing	2				
33	7280000007	Clip	11				
34	7949000054	Washer, 0.34"ID	8				
35	7950140141	Flatwasher, 0.25" ID	1				
36	7660142601	Locknut, 0.25"-20NC	1				

# DUAL CONTROLS - 4 BANK

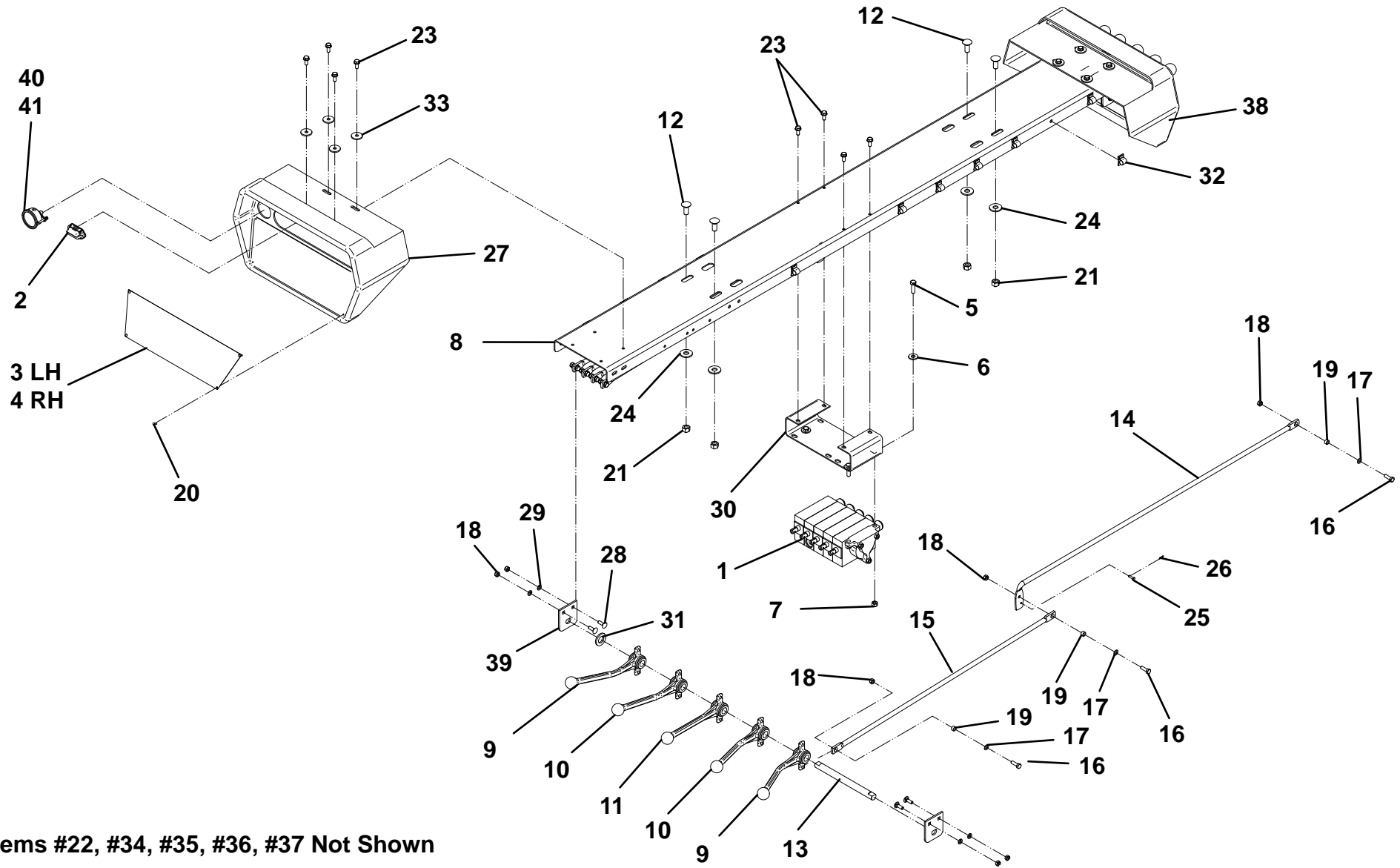


Items #22, #35, #36, #37, #38 Not Shown

**DUAL CONTROLS - 5 BANK**

ITEM	PART NO.	DESCRIPTION	QTY	ITEM	PART NO.	DESCRIPTION	QTY
1	1001146603	Valve,Assy 5 Bank	1	36	7115140650	Capscrew, 0.25"-20NC x 0.75"	1
	3935000117	Valve Assy 5 Bank w/TR	1	37	7274000063	Clamp	1
2	1001143764	Lamp	2	38	7560000007	Control Hood, RH	1
3	7330000648	Decal, w/ IRL LH	1	39	4606000217	Plate	4
	7330000650	Decal, w/Stabilizer LH	1	40	7470000023	Gauge	1
4	7330000649	Decal, w/ IRL RH	1	41	7661000057	Nut, M5	2
	7330000651	Decal, w/Stabilizer LH	1				
5	7111161050	Capscrew, 0.38"-16NC x 1.25"	4				
6	7950160161	Flatwasher, 0.38" ID	4				
7	7660162601	Locknut, 0.38"-16NC	4				
8	1001170189	Channel	1				
9	7551000021	Handle Control 2.20" Offset	4				
10	7551000020	Handle Control 1.32" Offset	4				
11	7551000018	Handle Control Straight	2				
12	7115181064	Bolt .50"-13NC x 1.25" Carriage	4				
13	7691000064	Rod,Controls 0.75 Dia x 9.00	2				
14	1001170187	Rod, 90 Deg Bent 96"	5				
15	1001170188	Rod, Straight 96"	5				
16	7115150850	Capscrew, 0.31"-18NC x 1.00"	15				
17	7949000011	Flatwasher, 0.328"ID	15				
18	7660152601	Locknut, 0.31"-18NC	23				
19	4831000069	Spacer, Control Linkage	15				
20	7759000006	Pop Rivet	8				
21	7660182601	Locknut, 0.50"-13NC	4				
22	8632000012	Trim	0.5				
23	7790151253	Screw, 0.31"-18NC x 0.75"	12				
24	7950180161	Flatwasher, 0.50" ID	4				
25	7690101200	Pin	5				
26	7691000056	Pin, Hairpin Cotter	5				
27	3560000010	Control Hood Assy W/Gauge	1				
28	7115150664	Bolt, 0.31"-18NC x 0.75"	8				
29	7950150000	Washer, 0.31" ID	8				
	7950150161	Flatwasher, 0.31" ID	8				
30	1001135272	Channel	1				
31	7950220141	Flatwasher, 0.75" ID	2				
32	7280000007	Clip	11				
33	7949000054	Washer, 0.34"ID	8				
34	7950140141	Flatwasher, 0.25" ID	1				
35	7660142601	Locknut, 0.25"-20NC	1				

# DUAL CONTROLS - 5 BANK



Items #22, #34, #35, #36, #37 Not Shown

**DUAL CONTROLS - 6 BANK**

ITEM	PART NO.	DESCRIPTION	QTY	ITEM	PART NO.	DESCRIPTION	QTY
1	3935000125	Valve Bank, 6 Section - IRL	1	34	7949000054	Washer, 0.34"ID	8
	3935000166	Valve Bank, 6 Section - AUTOGrid	1	35	7660142601	Locknut, 0.25"-20NC	1
	3935000118	Valve Bank, 6 Section - ZOD	1	36	7560000007	Control Hood	1
2	1001143764	Lamp	2	37	4606000217	Lug	4
3	7330000864	Decal, Control Panel - Dual Winch - LH	1	38	7274000063	Clamp	1
	7330000657	Decal, Control Panel - IRL - AUTOGrid - LH	1	39	7115140650	Capscrew, 0.25"-20NC x 0.75"	1
	7330000652	Decal, Control Panel - ZOD - LH	1				
4	7330000865	Decal, Control Panel - Dual Winch - RH	1				
	7330000658	Decal, Control Panel - IRL - AUTOGrid - RH	1				
	7330000653	Decal, Control Panel - ZOD - RH	1				
5	7111161050	Capscrew, 0.38"-16NC x 1.25"	3				
6	7950160161	Flatwasher, 0.38" ID	4				
7	7660162601	Locknut, 0.38"-16NC	4				
8	1001170191	Channel	1				
9	7551000021	Handle, Control 2.20" Offset	4				
10	7551000020	Handle, Control 1.32" Offset	4				
11	7551000019	Handle, Control 0.44" Offset	4				
12	7115181064	Bolt, 0.50"-13NC x 1.25"	6				
13	7691000065	Rod	2				
14	1001170187	Rod	6				
15	1001170188	Rod	6				
16	7115150850	Capscrew, 0.31"-18NC x 1.00"	18				
17	7949000011	Flatwasher, 0.328" ID	18				
18	7660152601	Locknut, 0.31 -18NC	26				
19	4831000069	Spacer	18				
20	7759000006	Pop Rivet	8				
21	7660182601	Locknut, 0.50"-13NC	4				
22	8632000012	Trim	0.5				
23	7790151253	Screw, 0.31"-18NC x 0.75"	12				
24	7950180161	Flatwasher, 0.50" ID	4				
25	7690101200	Pin	6				
26	7691000056	Pin, Cotter	6				
27	3560000010	Control Hood, w/Gauge	1				
28	7115150664	Bolt, 0.31"-18NC x 0.75"	8				
29	7950150161	Flatwasher, 0.31" ID	8				
30	1001135329	Channel	1				
31	7950220141	Flatwasher, 0.75" ID	2				
32	7950140141	Flatwasher, 0.25" ID	1				
33	7280000007	Clip	11				

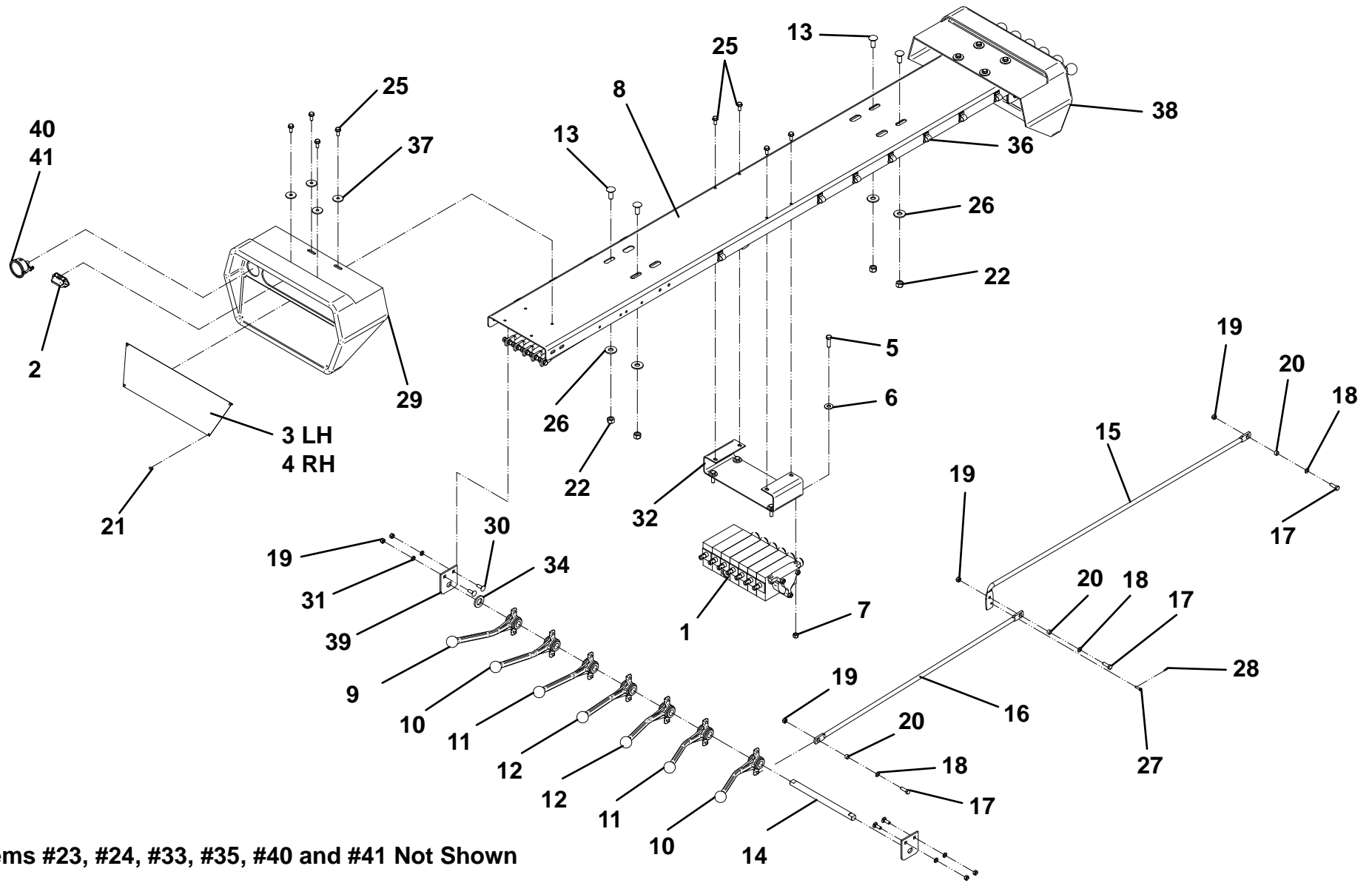


**DUAL CONTROLS - 7 BANK**

ITEM	PART NO.	DESCRIPTION	QTY	ITEM	PART NO.	DESCRIPTION	QTY
1	3935000150	Valve Bank, 7 Section	1	40	7274000063	Clamp	1
2	1001143764	Lamp	2	41	7115140650	Capscrew, 0.25"-20NC x 0.75"	1
3	7330000548	Decal, Control Panel - LH	1				
4	7330000549	Decal, Control Panel - RH	1				
5	7111161050	Capscrew, 0.38"-16NC x 1.25"	4				
6	7950160161	Flatwasher, 0.38" ID	4				
7	7660162601	Locknut, 0.38"-16NC	4				
8	1001170190	Channel	1				
9	7551000022	Handle, Control 3.08" Offset	2				
10	7551000021	Handle, Control 2.20" Offset	4				
11	7551000020	Handle, Control 1.32" Offset	4				
12	7551000019	Handle, Control 0.44" Offset	4				
13	7115181064	Bolt, 0.50"-13NC x 1.25"	6				
14	7691000066	Rod	2				
15	1001170187	Rod	7				
16	1001170188	Rod	7				
17	7115150850	Capscrew, 0.31"-18NC x 1.00"	21				
18	7949000011	Flatwasher, 0.328" ID	21				
19	7660152601	Locknut, 0.31 -18NC	29				
20	4831000069	Spacer	21				
21	7759000004	Pop Rivet	8				
22	7660182601	Locknut, 0.50"-13NC	6				
23	8632000012	Trim	0.5				
24	7950140141	Flatwasher, 0.25" ID	1				
25	7790151253	Screw, 0.31"-18NC x 0.75"	12				
26	7950180161	Flatwasher, 0.50" ID	6				
27	7690101200	Pin	7				
28	7691000056	Pin, Cotter	7				
29	3560000010	Control Hood, w/Gauge	1				
30	7115150664	Bolt, 0.31"-18NC x 0.75"	8				
31	7950150161	Flatwasher, 0.31" ID	8				
32	4263000464	Channel	1				
33	7660142601	Locknut, 0.25"-20NC	1				
34	7950220141	Flatwasher, 0.75" ID	4				
35	4211000001	Bushing	2				
36	7280000007	Clip	11				
37	7949000054	Washer, 0.34"ID	8				
38	7560000007	Control Hood	1				
39	4606000217	Lug	4				



# DUAL CONTROLS - 7 BANK

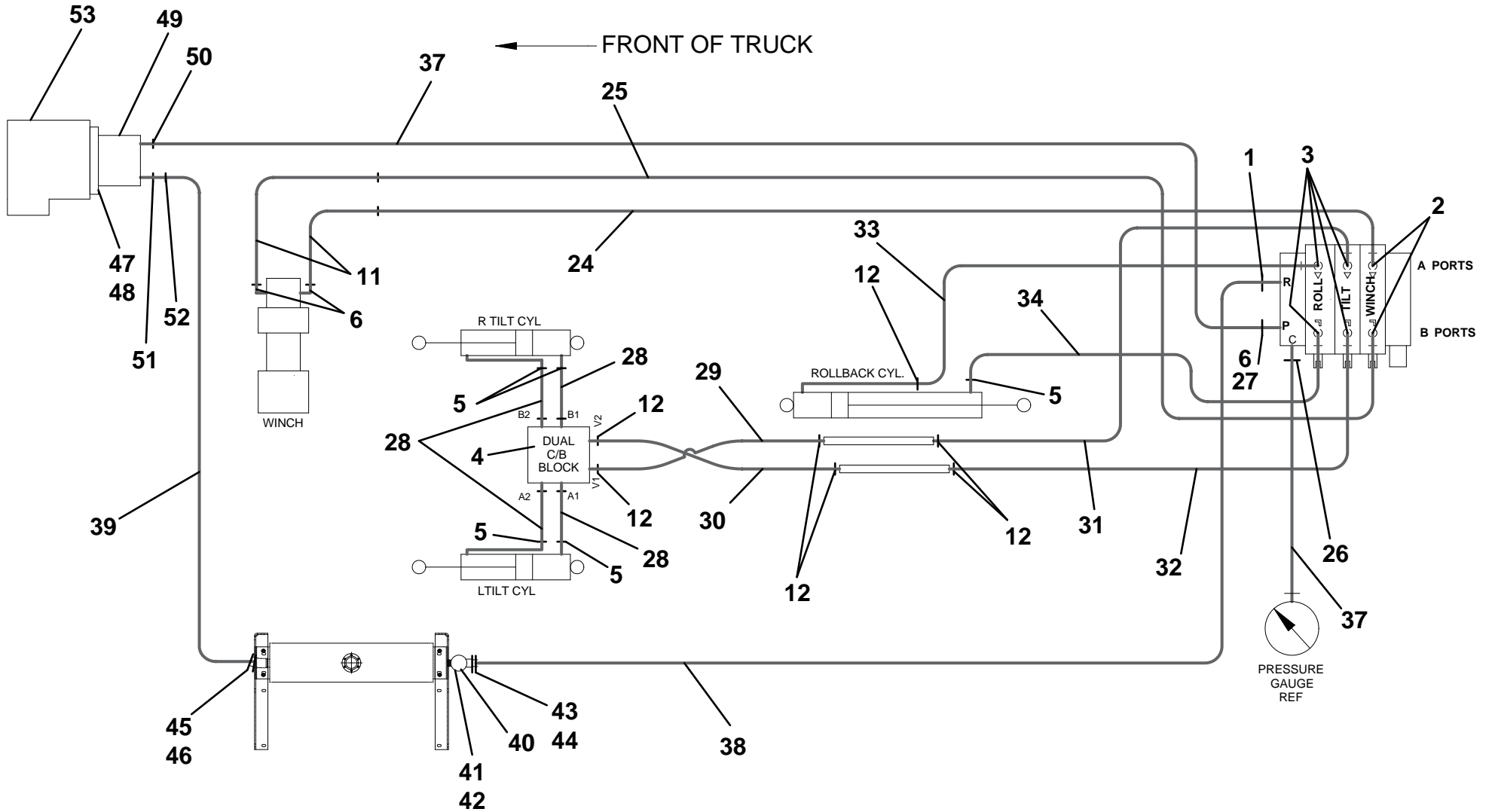


**HYDRAULIC COMPONENTS - STANDARD**

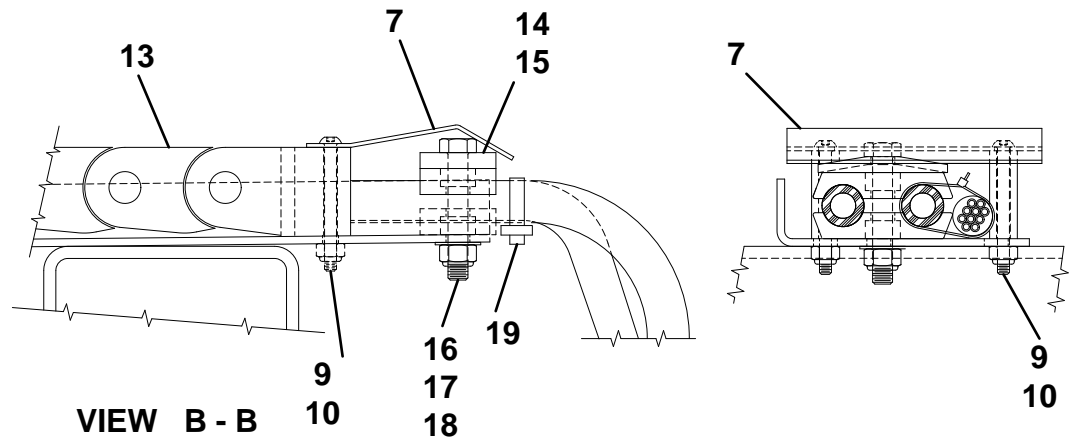
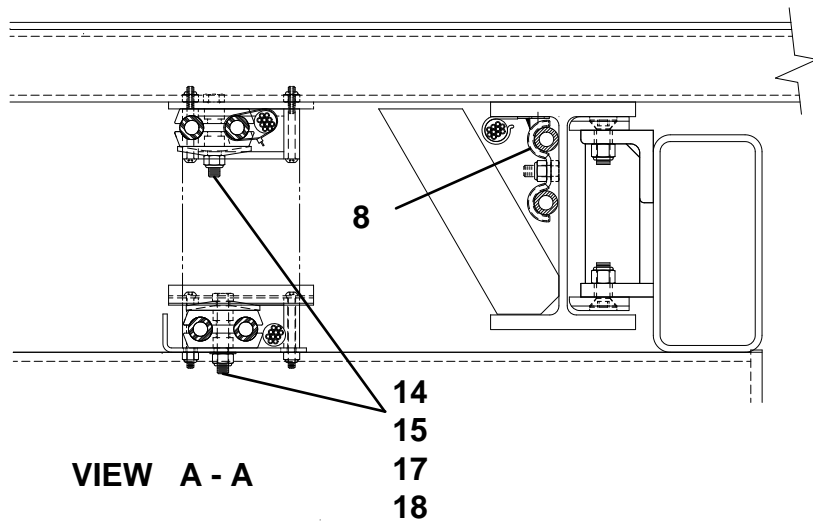
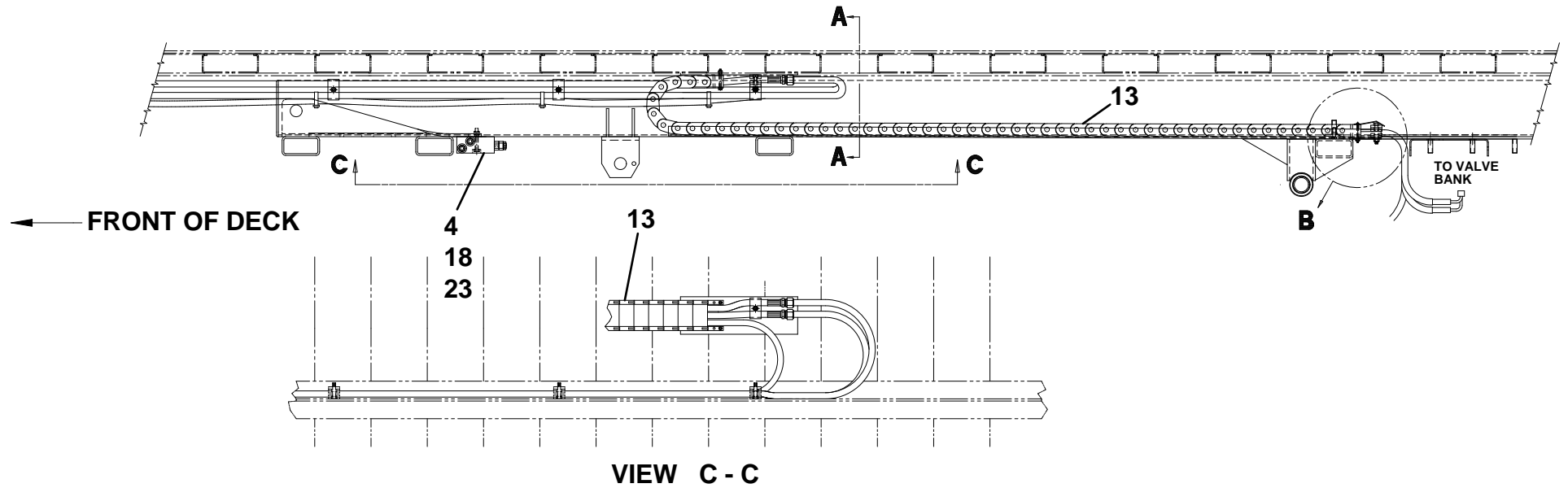
ITEM	PART NO.	DESCRIPTION	QTY	ITEM	PART NO.	DESCRIPTION	QTY
1	7443000446	Fitting	1	39	See Note 1	Supply Hose	1
2	7445080843	Adapter	2	40	7430000003	Filter Assembly	1
3	7445060843	Adapter	4	41	7470000002	Gauge	1
4	7935000306	Valve Assembly	1	42	7443000158	Elbow	1
5	7445060645	Elbow	5	43	7443000319	Fitting	1
6	7445081045	Elbow	3	44	7274000080	Clamp	2
7	4706003038	Plate	1	45	7443000013	Nipple	1
8	7274000066	Clamp	4	46	7274000002	Clamp	2
9	7114101618	Capscrew, #10-24NC x 2.00"	4	47	7950180000	Lockwasher, 0.59" ID	2
10	7660102604	Locknut, #10-24UNC	4	48	7115181050	Capscrew, 0.50"-13NC x 1.25"	2
11	4567430118	Hose Assembly	2	49	7724000126	Pump	1
12	7445060643	Adapter	7	50	7443000124	Adapter	1
13	7904000007	Cable Track	1	51	7445081643	Adapter	1
14	7274000038	Clamp	4	52	7443000023	Elbow	1
15	7274000039	Cover	2	53	See Note 1	PTO	1
16	7950150161	Flatwasher, 0.31" ID	4				
17	7115151650	Capscrew, 0.31"-18NC x 2.00"	2				
18	7660152601	Locknut, 0.31"-18NC	12				
19	7894000004	Tie Strap	10				
20	7274000040	Clamp, 0.81" DIA	1				
21	7274000041	Clamp, 1.25" DIA	1				
22	7274000042	Clamp, 1.75" DIA	1				
23	7115151850	Capscrew, 0.31"-18NC x 2.25"	2				
24	4569433115	Hose Assembly	1				
25	4569432115	Hose Assembly	1				
26	7445040443	Adapter	1				
27	7445080818	Nut, #8	1				
28	4570000195	Hose Assembly	4				
	4570000198	Hose Assembly	4				
	1001130605	Hose Assembly	4				
29	4567120015	Hose Assembly	1				
30	4567120017	Hose Assembly	1				
31	4567123042	Hose Assembly	1				
32	4567122038	Hose Assembly	1				
33	4567123044	Hose Assembly	1				
34	4567122027	Hose Assembly	1				
36	4567112039	Hose Assembly	1				
37	See Note 1	Hose Assembly	1				
38	See Note 1	Return Hose	1				

Note 1: Varies depending on chassis, transmission, PTO type & deck length.  
Consult factory for part numbers.

# HYDRAULIC COMPONENTS - STANDARD



**HYDRAULIC COMPONENTS - STANDARD**



**HYDRAULIC COMPONENTS - STANDARD**

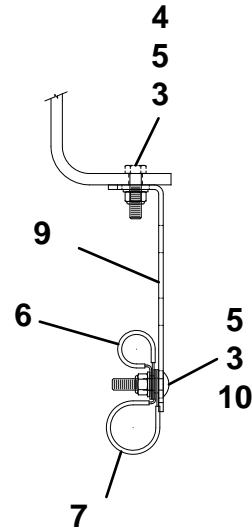
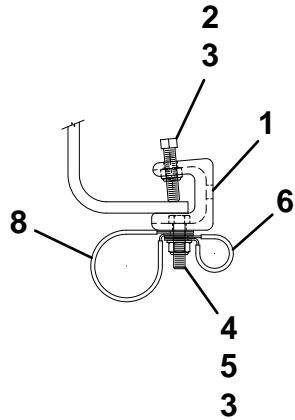
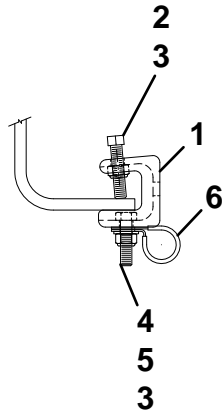
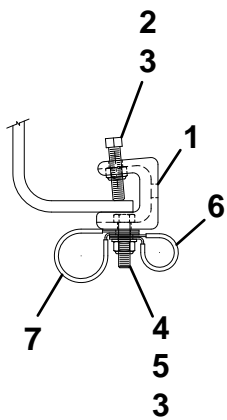
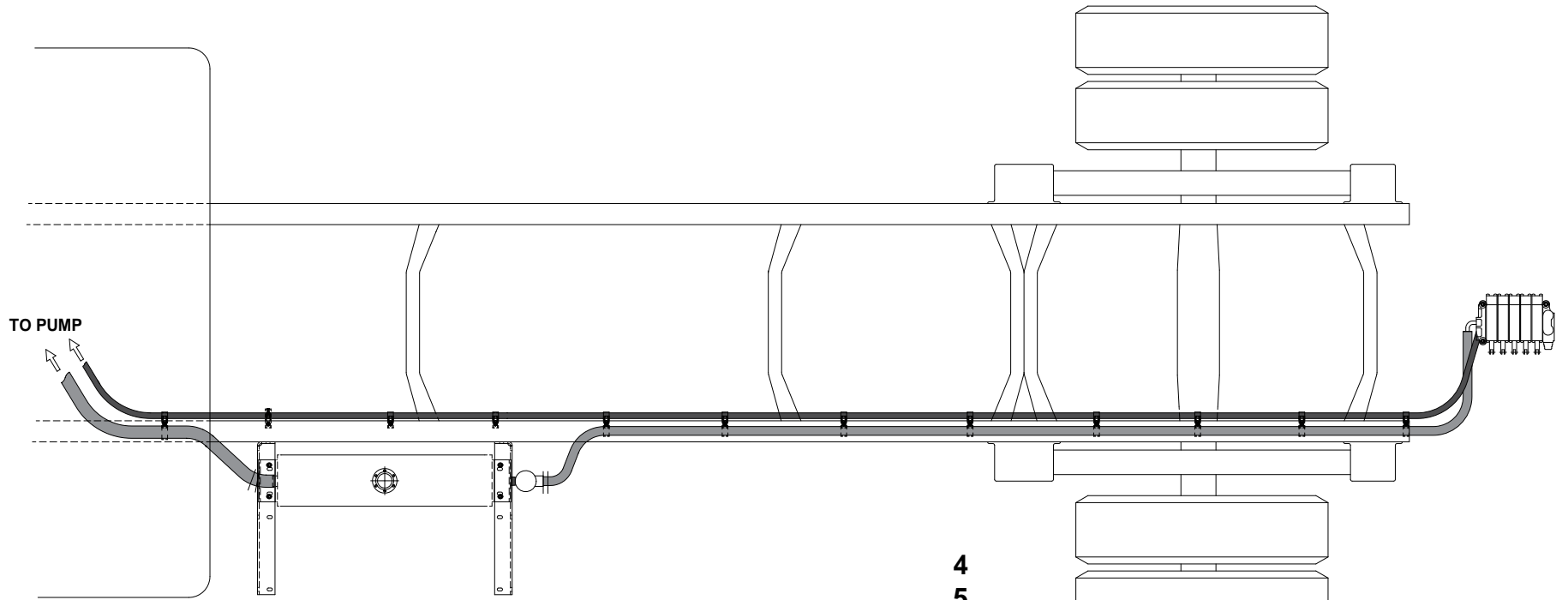
**THIS PAGE INTENTIONALLY LEFT BLANK**

**HYDRAULIC COMPONENTS - HOSE ROUTING (STD IHC)**

ITEM	PART NO.	DESCRIPTION	QTY
1	7274000076	Clamp	1
2	7785152420	Screw, 0.31"-18 x 1.50"	1
3	7660152601	Locknut, 0.31"-18NC	2
4	7115151050	Capscrew, 0.31"-18NC x 1.25"	1
5	7950150161	Flatwasher, 0.31" ID	1
6	7274000040	Clamp, 0.81"	1
7	7274000041	Clamp, 1.25"	1
8	7274000042	Clamp, 1.75"	1
9	4706003844	Plate	1
10	7115151064	Bolt, 0.31"-18NC x 1.25"	1

\* Quantity varies depending on deck length and deck type.

# HYDRAULIC COMPONENTS - HOSE ROUTING (STD IHC)



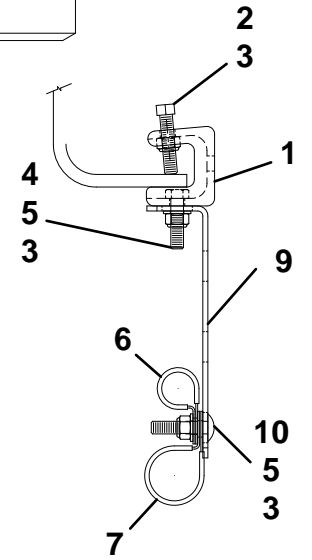
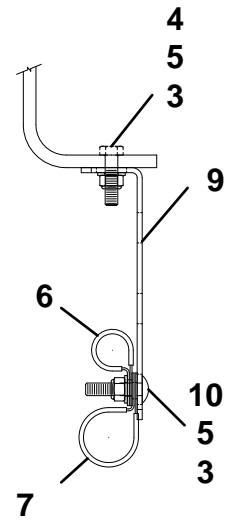
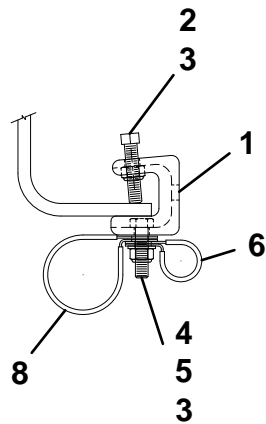
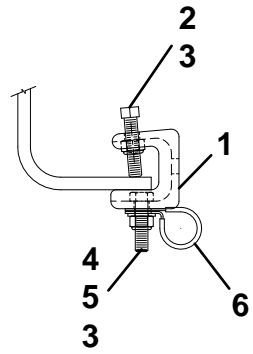
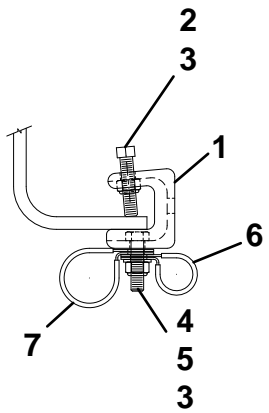
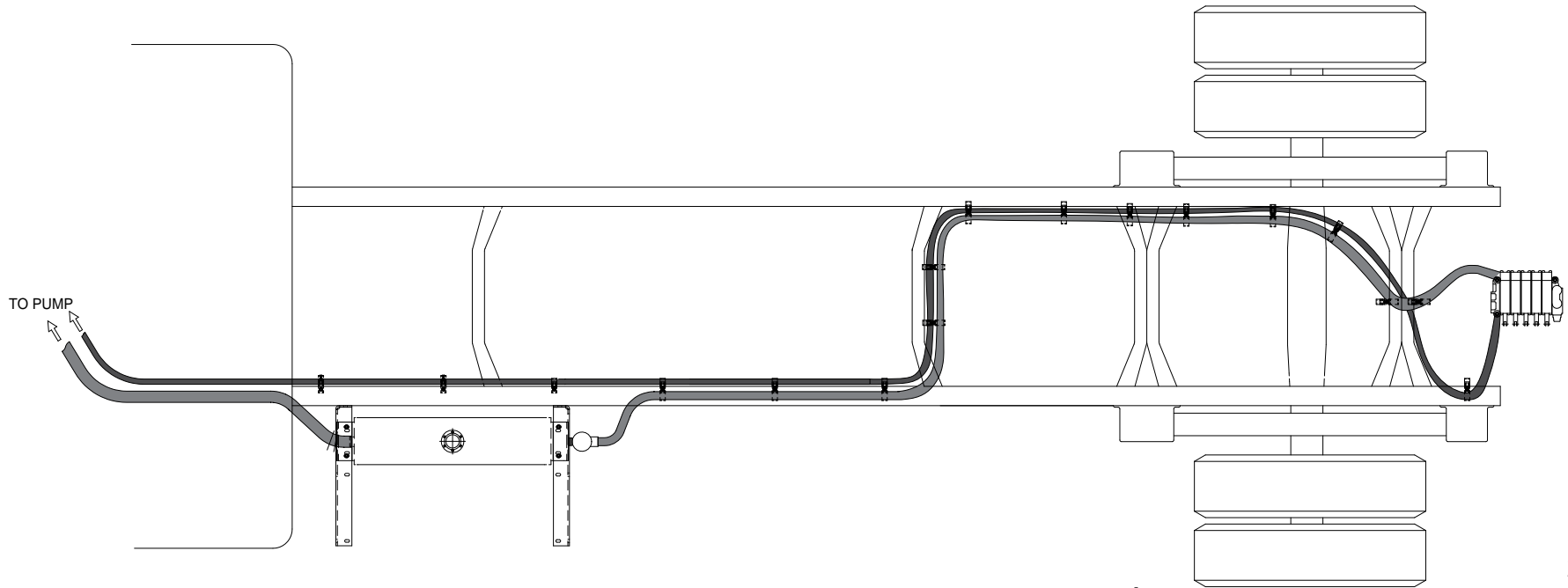
**HYDRAULIC COMPONENTS - HOSE ROUTING (STD CAB IHC 144CA)**

ITEM	PART NO.	DESCRIPTION	QTY
1	7274000076	Cast Frame Clamp	*
2	7785152420	Set Screw, 0.31"-18NC x 1.50"	*
3	7660152601	Locknut, 0.31"-18NC	*
4	7115151050	Capscrew, 0.31"-18NC x 1.25"	*
5	7950150161	Flatwasher, 0.31" ID	*
6	7274000040	Clamp	*
7	7274000041	Clamp	*
8	7274000042	Clamp	*
9	4706003844	Plate	*
10	7115151064	Carriage Bolt, 0.31"-18NC x 1.25"	*

\* Quantity varies depending on deck length and deck type.



# HYDRAULIC COMPONENTS - HOSE ROUTING (STD CAB IHC 144CA)

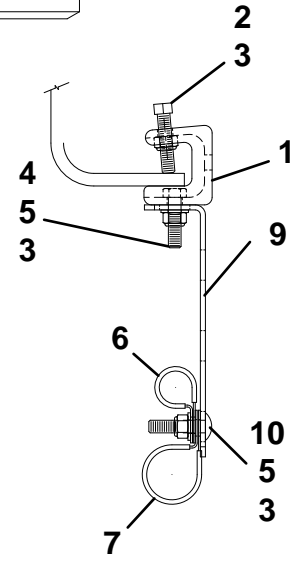
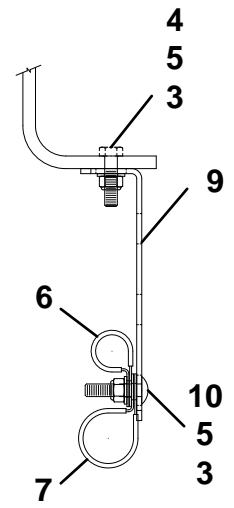
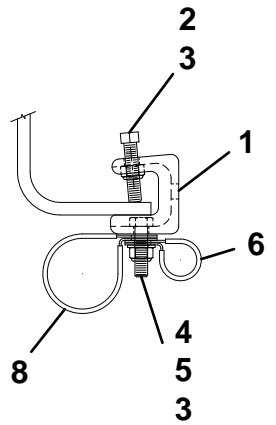
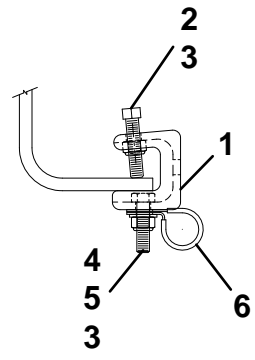
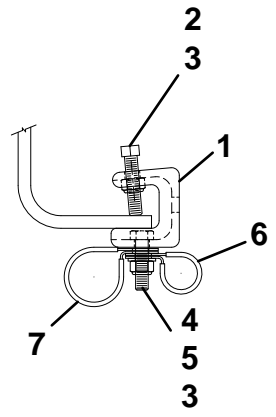
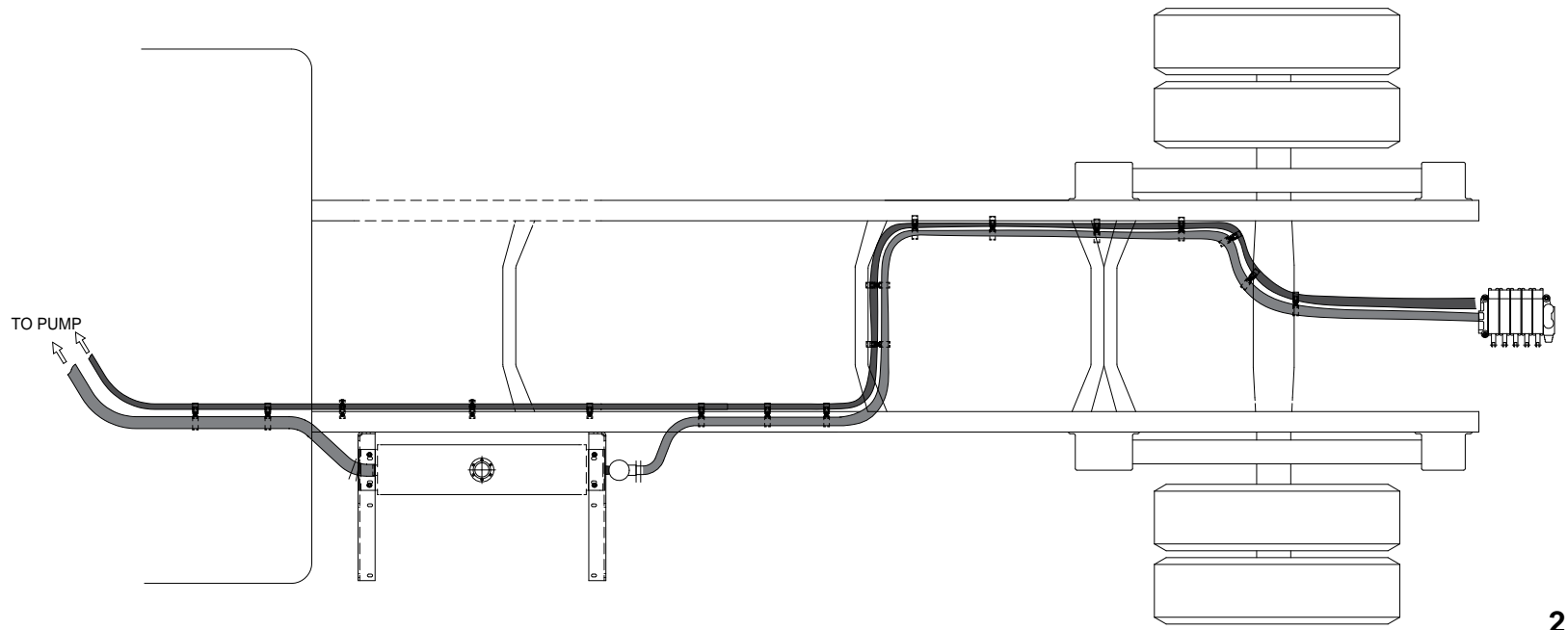


**HYDRAULIC COMPONENTS - HOSE ROUTING (EXT CAB IHC 150CA)**

ITEM	PART NO.	DESCRIPTION	QTY
1	7274000076	Cast Frame Clamp	*
2	7785152420	Set Screw, 0.31"-18NC x 1.50"	*
3	7660152601	Locknut, 0.31"-18NC	*
4	7115151050	Capscrew, 0.31"-18NC x 1.25"	*
5	7950150161	Flatwasher, 0.31" ID	*
6	7274000040	Clamp	*
7	7274000041	Clamp	*
8	7274000042	Clamp	*
9	4706003844	Plate	*
10	7115151064	Carriage Bolt, 0.31"-18NC x 1.25"	*

\* Quantity varies depending on deck length and deck type.

# HYDRAULIC COMPONENTS - HOSE ROUTING (EXT CAB IHC 150CA)

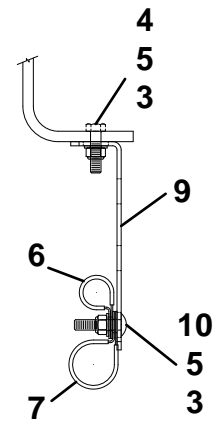
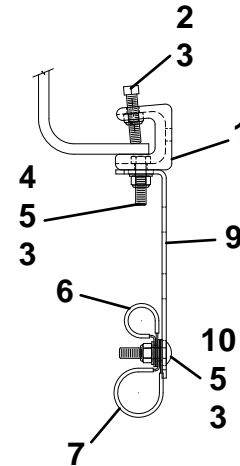
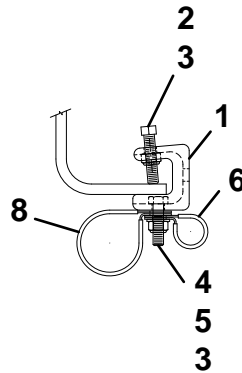
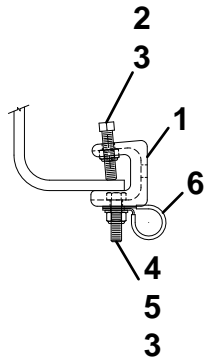
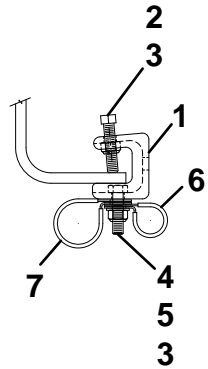
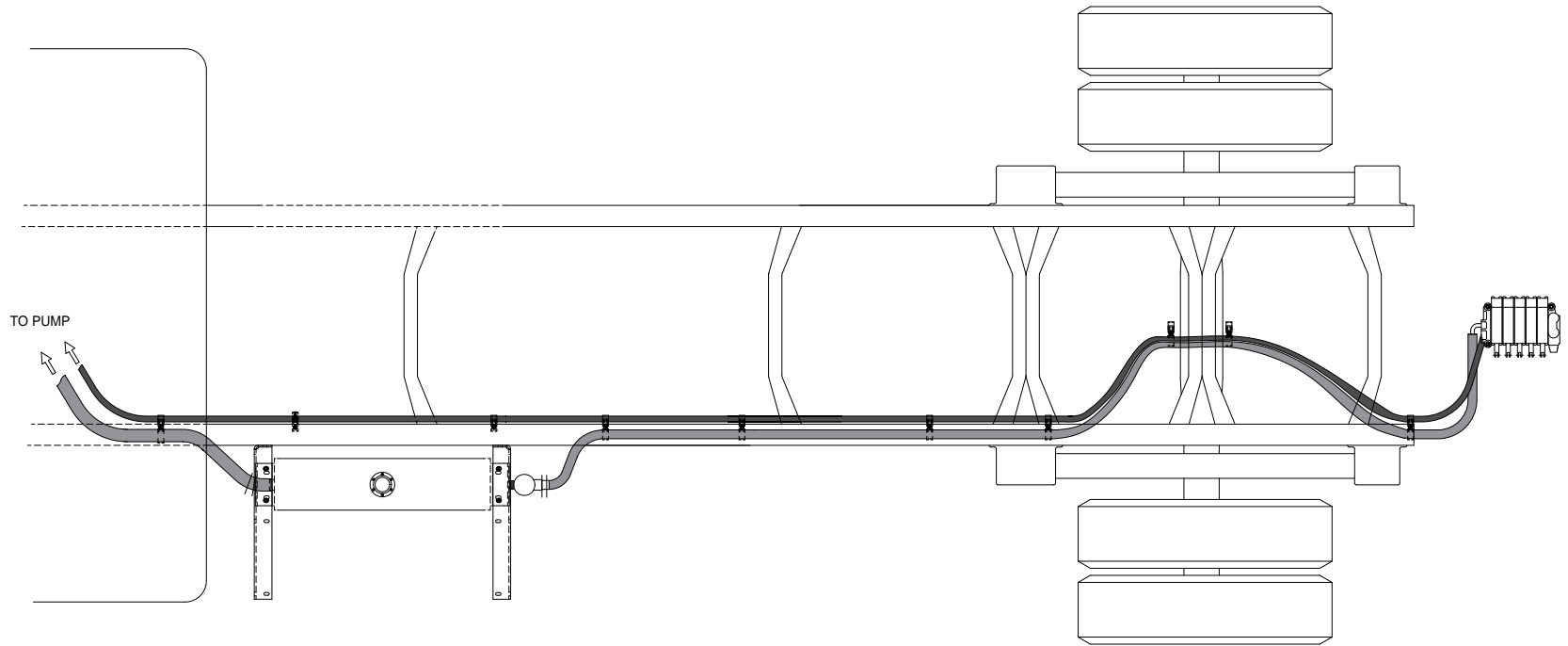


**HYDRAULIC COMPONENTS - HOSE ROUTING (FORD STD CAB)**

ITEM	PART NO.	DESCRIPTION	QTY
1	7274000076	Clamp	*
2	7785152420	Screw, 0.31"-18 x 1.50"	*
3	7660152601	Locknut, 0.31"-18NC	*
4	7115151050	Capscrew, 0.31"-18NC x 1.25"	*
5	7950150161	Flatwasher, 0.31" ID	*
6	7274000040	Clamp, 0.81"	*
7	7274000041	Clamp, 1.25"	*
8	7274000042	Clamp, 1.75"	*
9	4706003844	Plate	*
10	7115151064	Bolt, 0.31"-18NC x 1.25"	*

\* Quantity varies depending on deck length and deck type.

# HYDRAULIC COMPONENTS - HOSE ROUTING (FORD STD CAB)

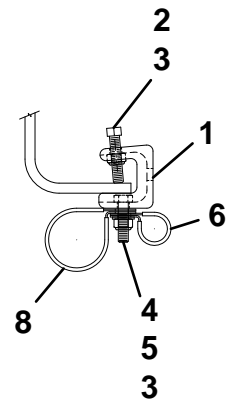
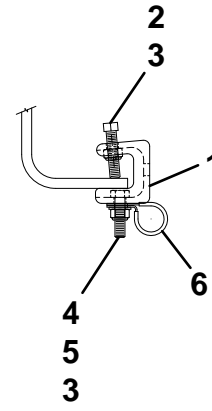
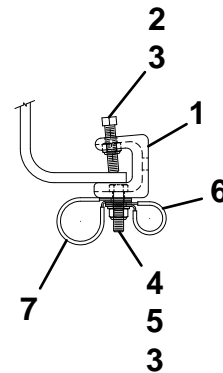
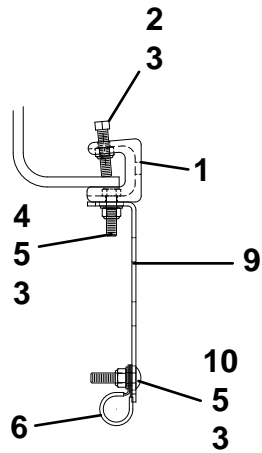
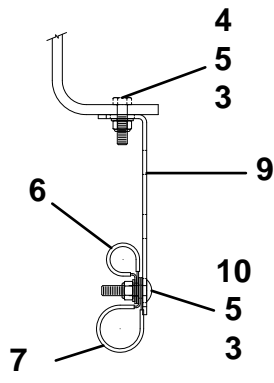
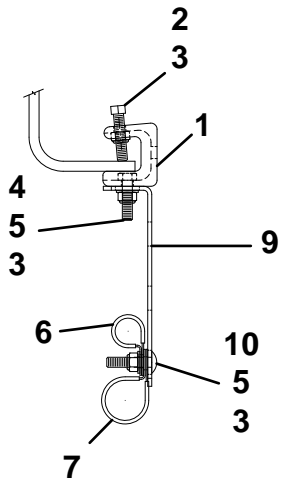
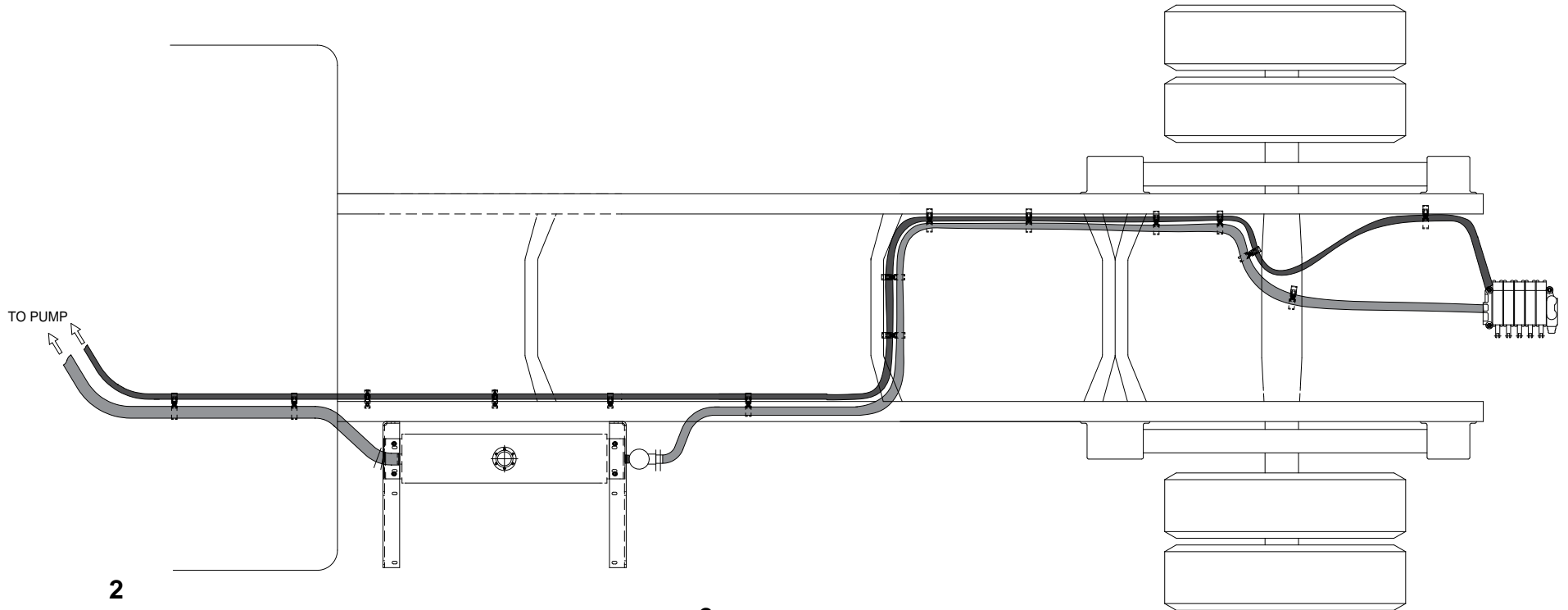


**HYDRAULIC COMPONENTS - HOSE ROUTING (FORD EXT CAB 150CA)**

ITEM	PART NO.	DESCRIPTION	QTY
1	7274000076	Clamp	*
2	7785152420	Screw, 0.31"-18 x 1.50"	*
3	7660152601	Locknut, 0.31"-18NC	*
4	7115151050	Capscrew, 0.31"-18NC x 1.25"	*
5	7950150161	Flatwasher, 0.31" ID	*
6	7274000040	Clamp, 0.81"	*
7	7274000041	Clamp, 1.25"	*
8	7274000042	Clamp, 1.75"	*
9	4706003844	Plate	*
10	7115151064	Bolt, 0.31"-18NC x 1.25"	*

\* Quantity varies depending on deck length and deck type.

# HYDRAULIC COMPONENTS - HOSE ROUTING (FORD EXT CAB 150CA)



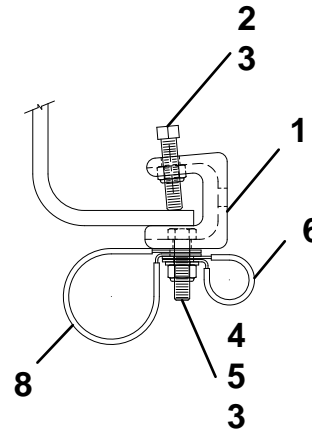
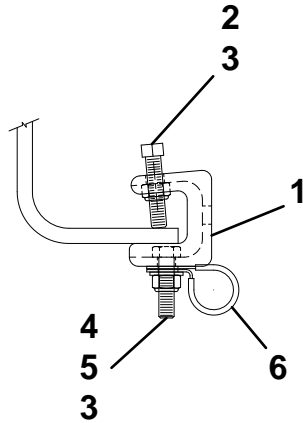
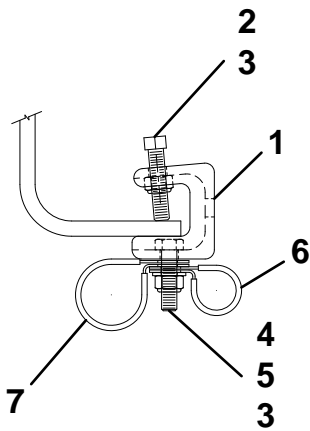
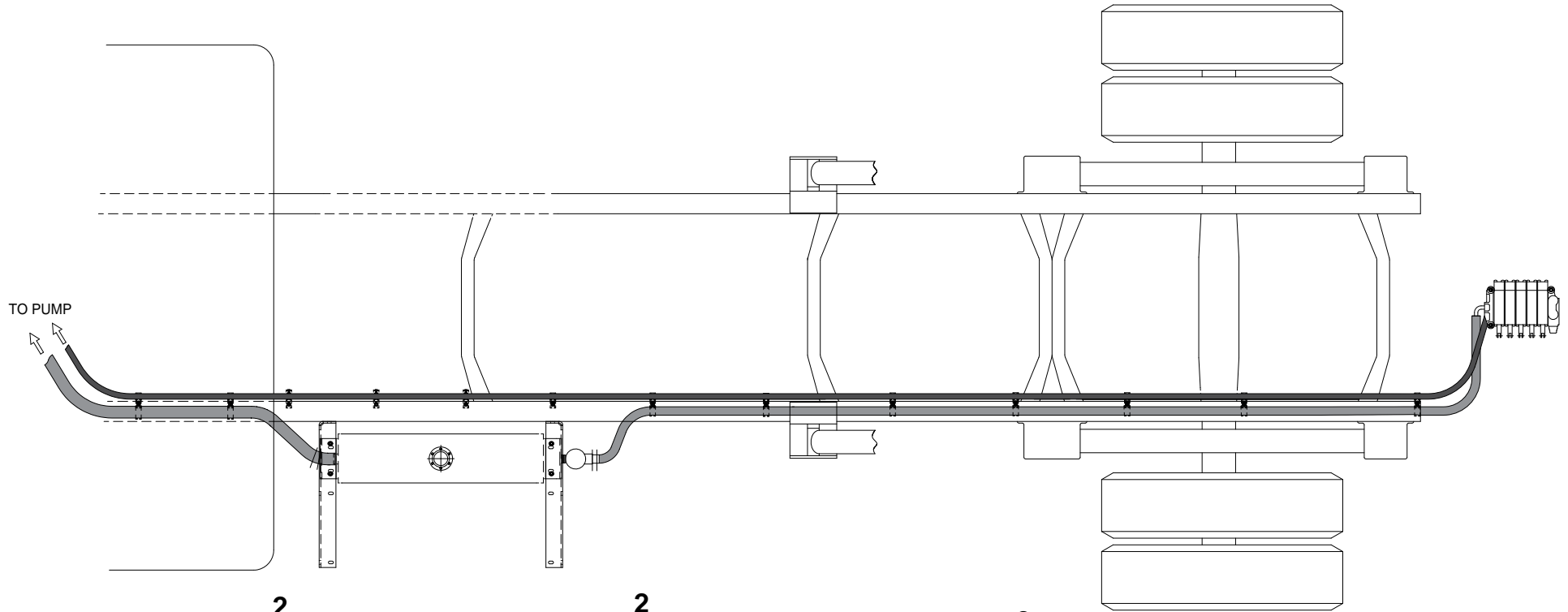
**HYDRAULIC COMPONENTS - HOSE ROUTING (HINO)**

ITEM	PART NO.	DESCRIPTION	QTY
1	7274000076	Clamp	*
2	7785152420	Screw, 0.31"-18 x 1.50"	*
3	7660152601	Locknut, 0.31"-18NC	*
4	7115151050	Capscrew, 0.31"-18NC x 1.25"	*
5	7950150161	Flatwasher, 0.31" ID	*
6	7274000040	Clamp, 0.81"	*
7	7274000041	Clamp, 1.25"	*
8	7274000042	Clamp, 1.75"	*

\* Quantity varies depending on deck length and deck type.



# HYDRAULIC COMPONENTS - HOSE ROUTING (HINO)

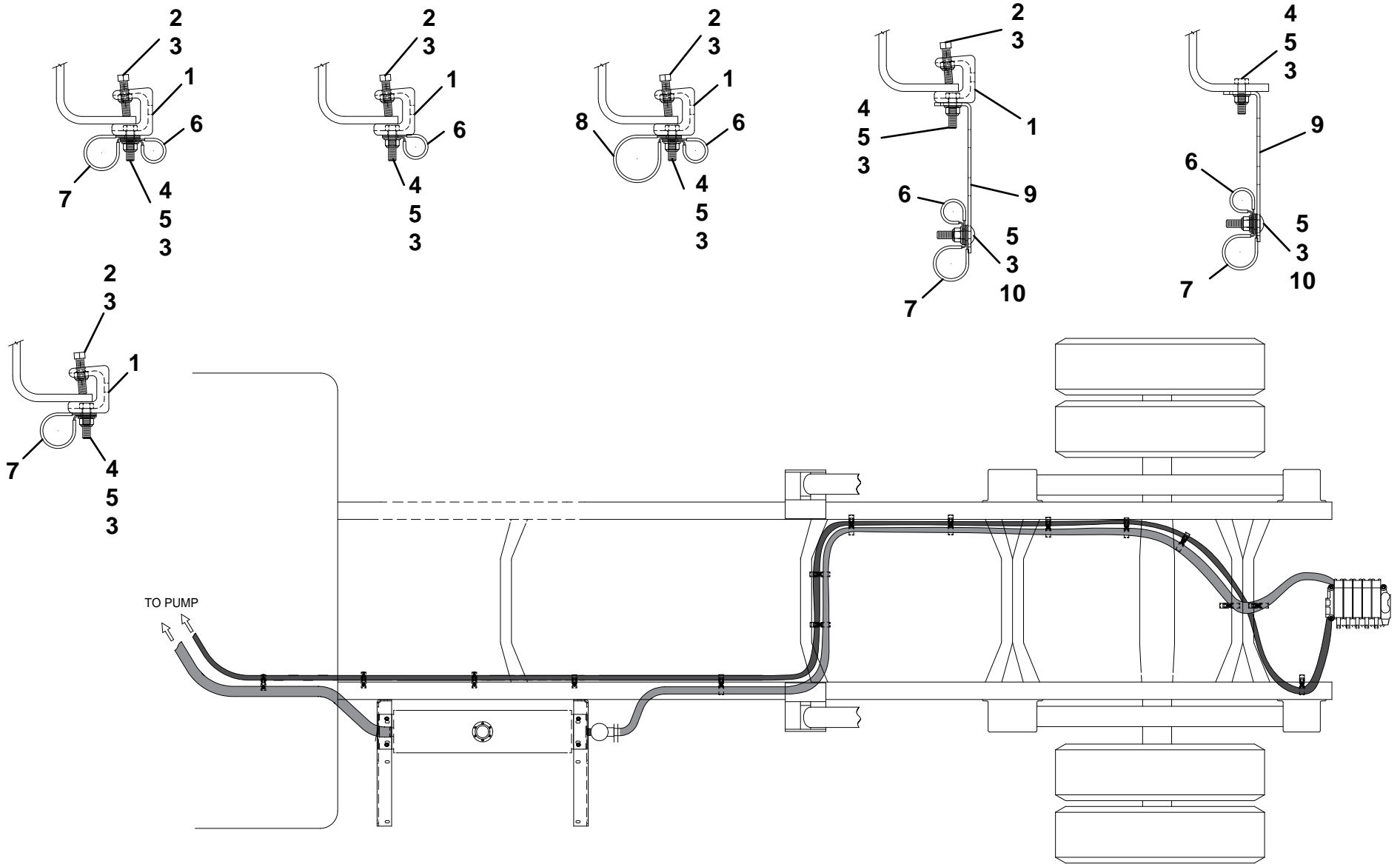


**HYDRAULIC COMPONENTS - HOSE ROUTING (FREIGHTLINER)**

ITEM	PART NO.	DESCRIPTION	QTY
1	7274000076	Clamp	*
2	7785152420	Screw, 0.31"-18 x 1.50"	*
3	7660152601	Locknut, 0.31"-18NC	*
4	7115151050	Capscrew, 0.31"-18NC x 1.25"	*
5	7950150161	Flatwasher, 0.31" ID	*
6	7274000040	Clamp, 0.81"	*
7	7274000041	Clamp, 1.25"	*
8	7274000042	Clamp, 1.75"	*
9	4706003844	Plate	*
10	7115151064	Bolt, 0.31"-18NC x 1.25"	*

\* Quantity varies depending on deck length and deck type.

# HYDRAULIC COMPONENTS - HOSE ROUTING (FREIGHTLINER)

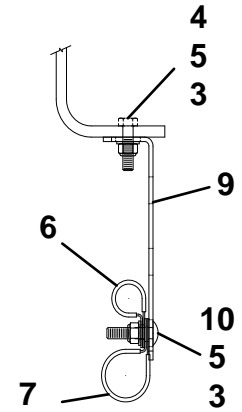
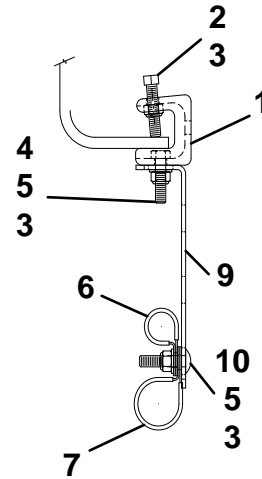
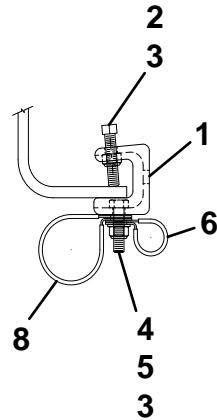
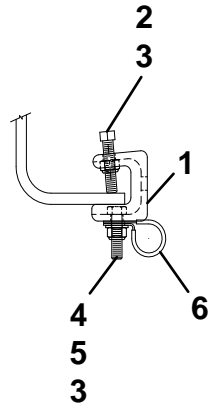
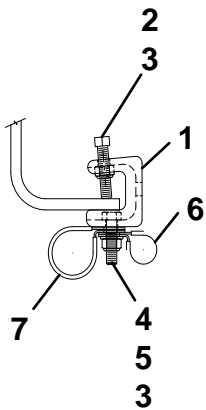
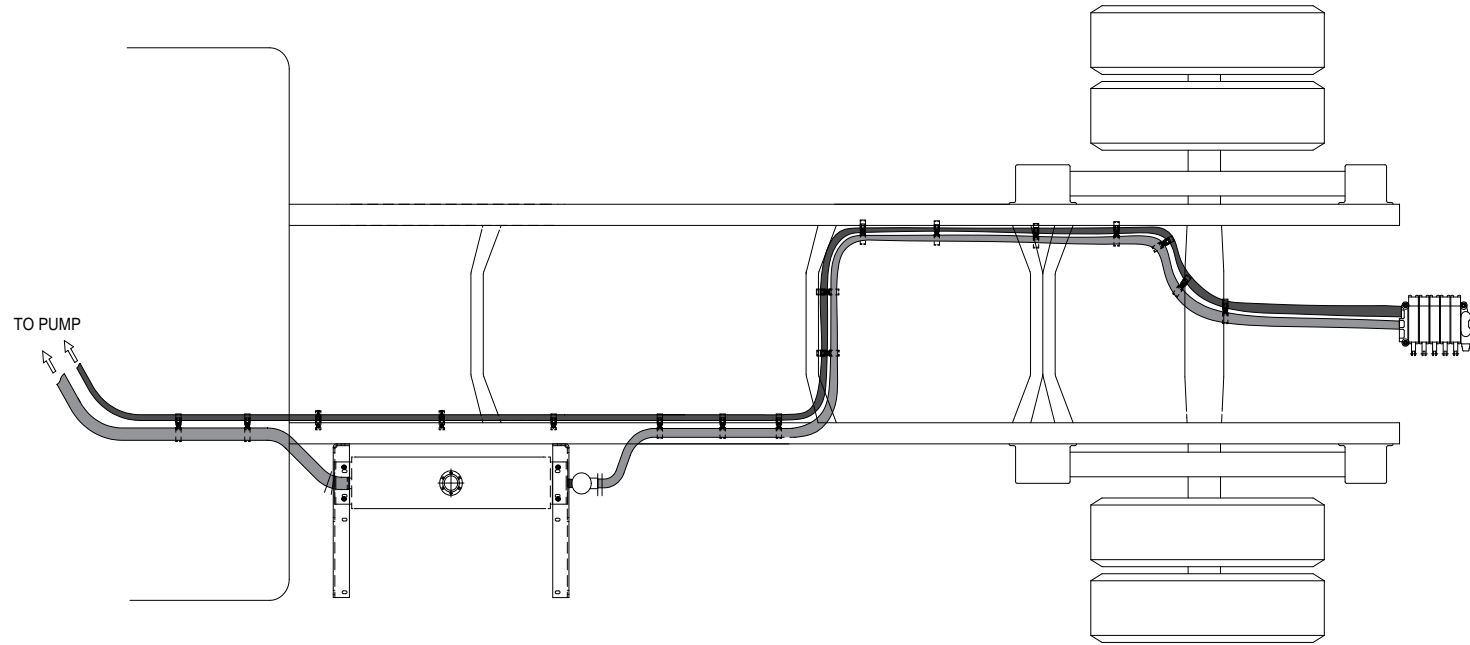


**HYDRAULIC COMPONENTS - HOSE ROUTING (PETERBILT)**

ITEM	PART NO.	DESCRIPTION	QTY
1	7274000076	Clamp	*
2	7785152420	Screw, 0.31"-18 x 1.50"	*
3	7660152601	Locknut, 0.31"-18NC	*
4	7115151050	Capscrew, 0.31"-18NC x 1.25"	*
5	7950150161	Flatwasher, 0.31" ID	*
6	7274000040	Clamp, 0.81"	*
7	7274000041	Clamp, 1.25"	*
8	7274000042	Clamp, 1.75"	*
9	4706003844	Plate	*
10	7115151064	Bolt, 0.31"-18NC x 1.25"	*

\* Quantity varies depending on deck length and deck type.

# HYDRAULIC COMPONENTS - HOSE ROUTING (PETERBILT)

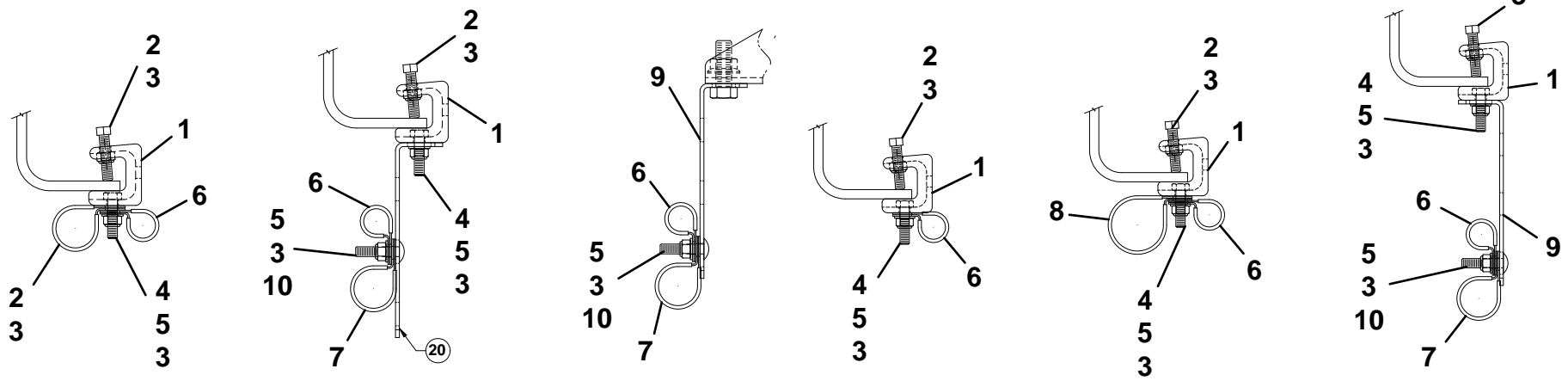
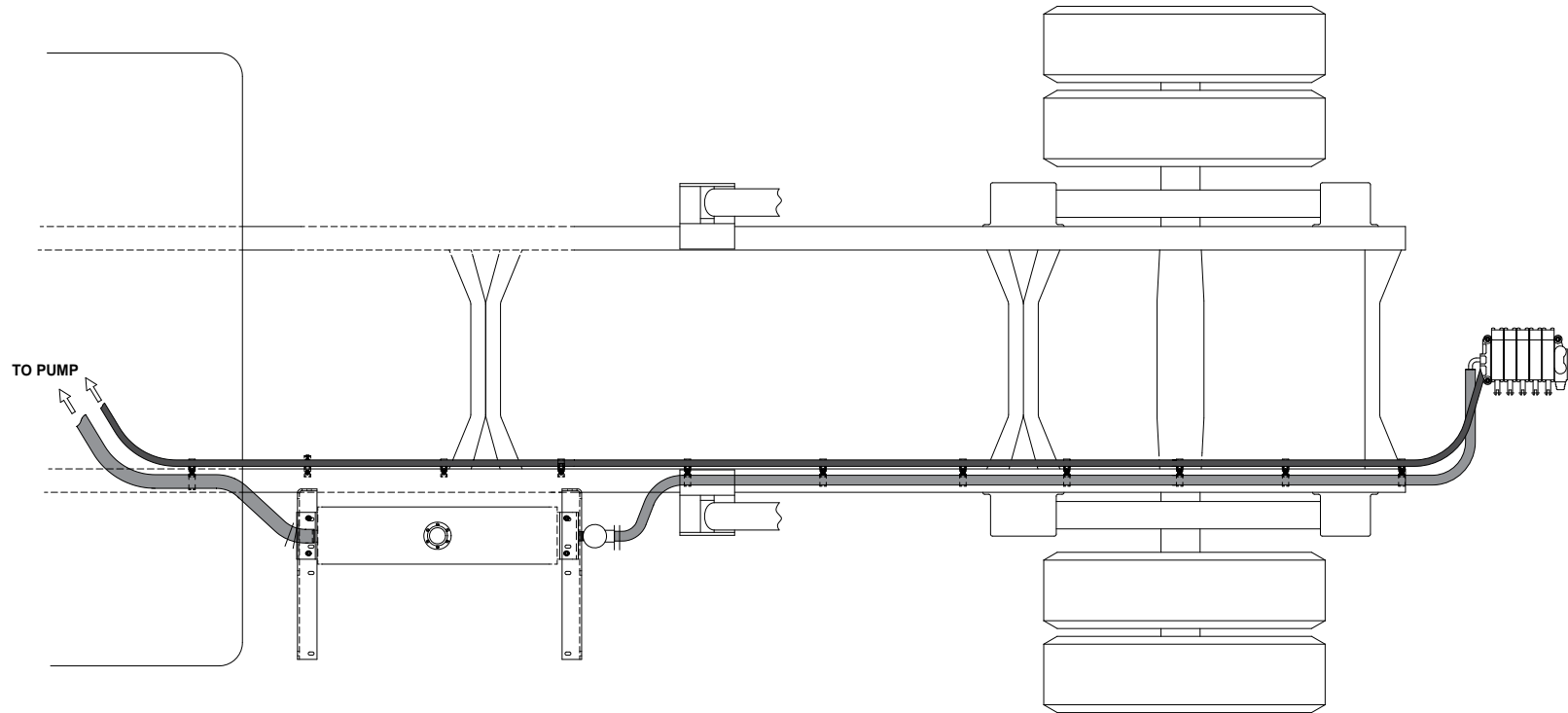


**HYDRAULIC COMPONENTS - HOSE ROUTING (CHEVY/GMC)**

ITEM	PART NO.	DESCRIPTION	QTY
1	7274000076	Cast Frame Clamp	*
2	7785152420	Set Screw, 0.31"-18NC x 1.50"	*
3	7660152601	Locknut, 0.31"-18NC	*
4	7115151050	Capscrew, 0.31"-18NC x 1.25"	*
5	7950150161	Flatwasher, 0.31" ID	*
6	7274000040	Clamp	*
7	7274000041	Clamp	*
8	7274000042	Clamp	*
9	4706003844	Plate	*
10	7115151064	Carriage Bolt, 0.31"-18NC x 1.25"	*

\* Quantity varies depending on deck length and deck type.

# HYDRAULIC COMPONENTS - HOSE ROUTING (CHEVY/GMC)



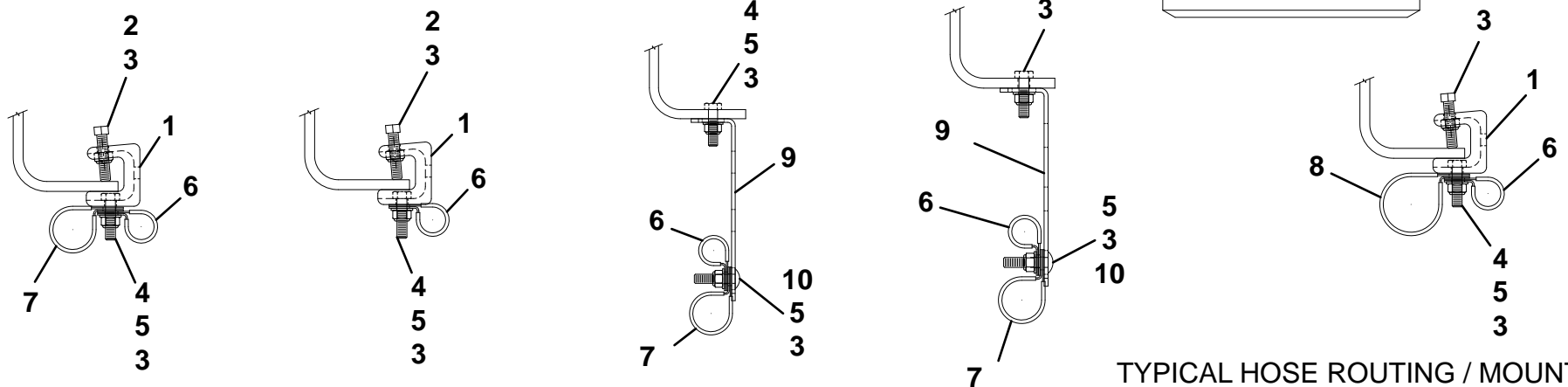
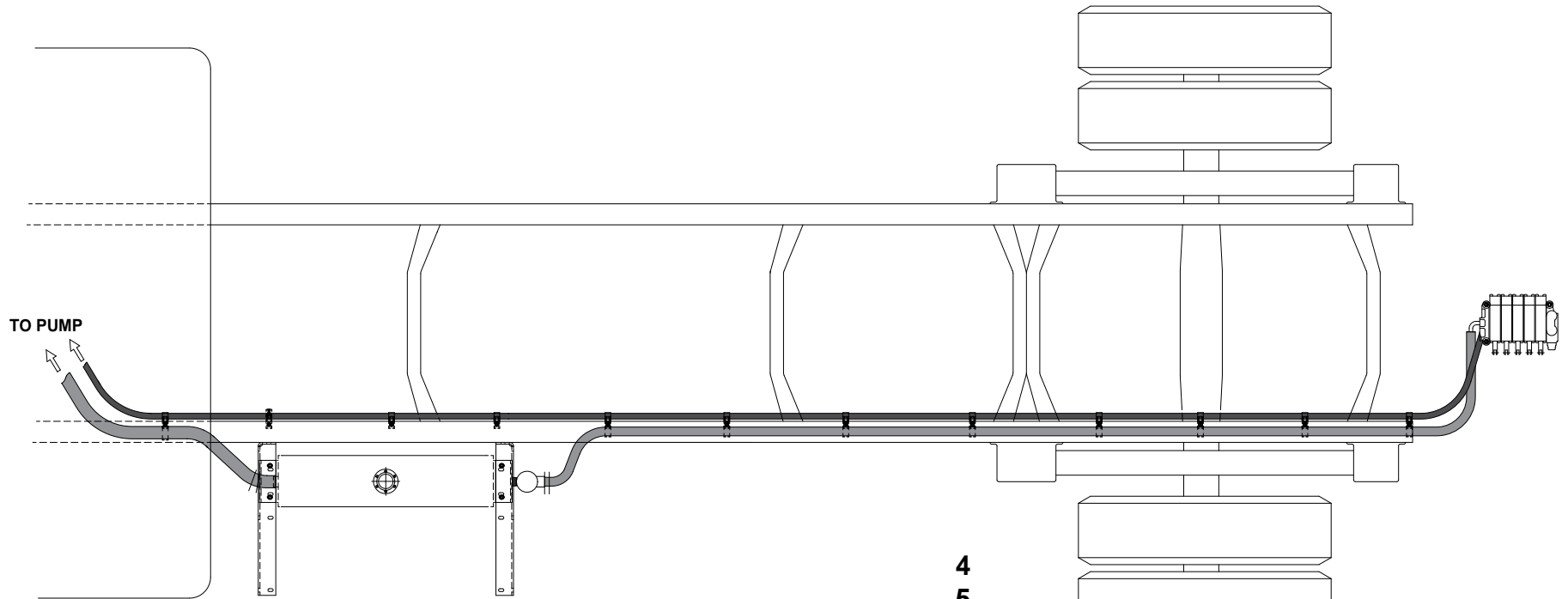
**HYDRAULIC COMPONENTS - HOSE ROUTING (DODGE)**

ITEM	PART NO.	DESCRIPTION	QTY
1	7274000076	Clamp	*
2	7785152420	Screw, 0.31"-18 x 1.50"	*
3	7660152601	Locknut, 0.31"-18NC	*
4	7115151050	Capscrew, 0.31"-18NC x 1.25"	*
5	7950150161	Flatwasher, 0.31" ID	*
6	7274000040	Clamp, 0.81"	*
7	7274000041	Clamp, 1.25"	*
8	7274000042	Clamp, 1.75"	*
9	4706003844	Plate	*
10	7115151064	Bolt, 0.31"-18NC x 1.25"	*

\* Quantity varies depending on deck length and deck type.



# HYDRAULIC COMPONENTS - HOSE ROUTING (DODGE)



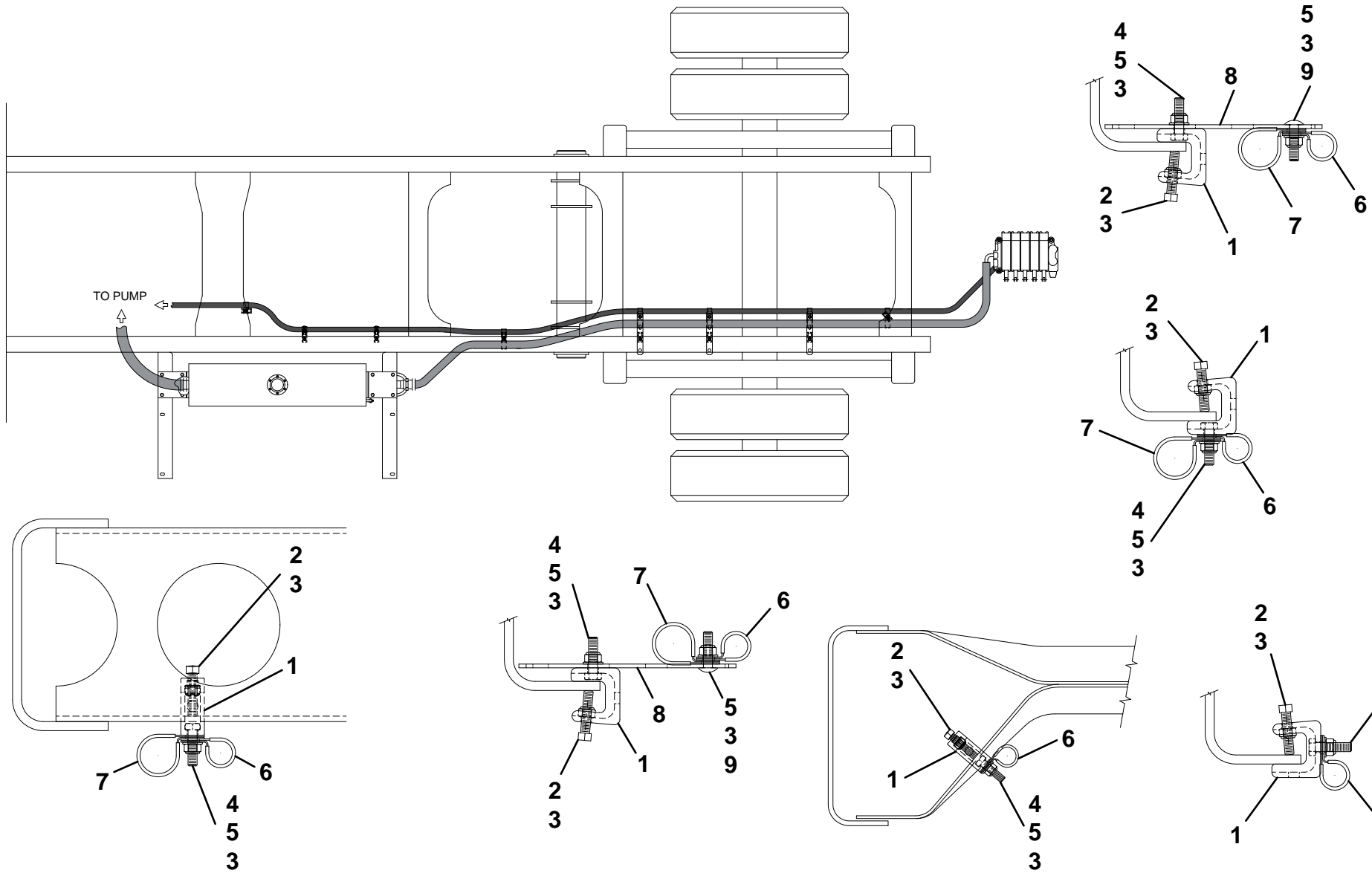
TYPICAL HOSE ROUTING / MOUNTING

**HYDRAULIC COMPONENTS - HOSE ROUTING (STD UD)**

ITEM	PART NO.	DESCRIPTION	QTY
1	7274000076	Clamp	*
2	7785152420	Screw, 0.31"-18 x 1.50"	*
3	7660152601	Locknut, 0.31"-18NC	*
4	7115151050	Capscrew, 0.31"-18NC x 1.25"	*
5	7950150161	Flatwasher, 0.31" ID	*
6	7274000040	Clamp, 0.81"	*
7	7274000041	Clamp, 1.25"	*
8	4706003844	Plate	*
9	7115151064	Bolt, 0.31"-18NC x 1.25"	*

\* Quantity varies depending on deck length and deck type.

# HYDRAULIC COMPONENTS - HOSE ROUTING (STD UD)

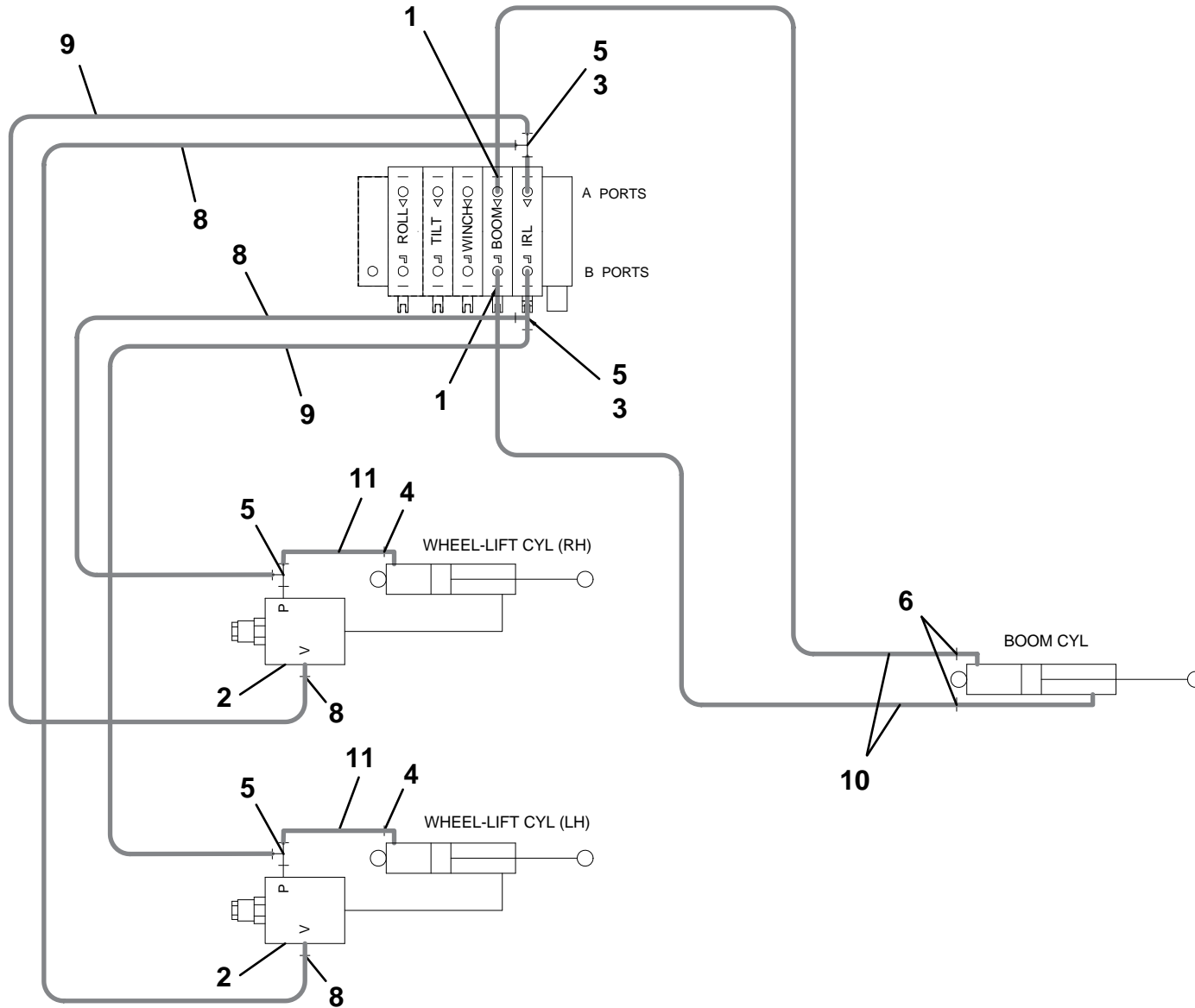


**HYDRAULIC COMPONENTS - IRL WHEEL LIFT WITH MANUAL GRIDS**

ITEM	PART NO.	DESCRIPTION	QTY
1	7445040843	Adapter	2
2	7935000305	Counter Balance	2
3	7443000129	Reducer	2
4	7445060645	Elbow	4
5	7445060648	Elbow	4
6	7445040446	Elbow	2
7	5526000553	Tie Straps	12
8	4567122032	Hose Assembly	2
9	4567123034	Hose Assembly	2
10	4567110032	Hose Assembly	2
11	4567122014	Hose Assembly	2

\* also available in Hose Kit, P/N 4577000002

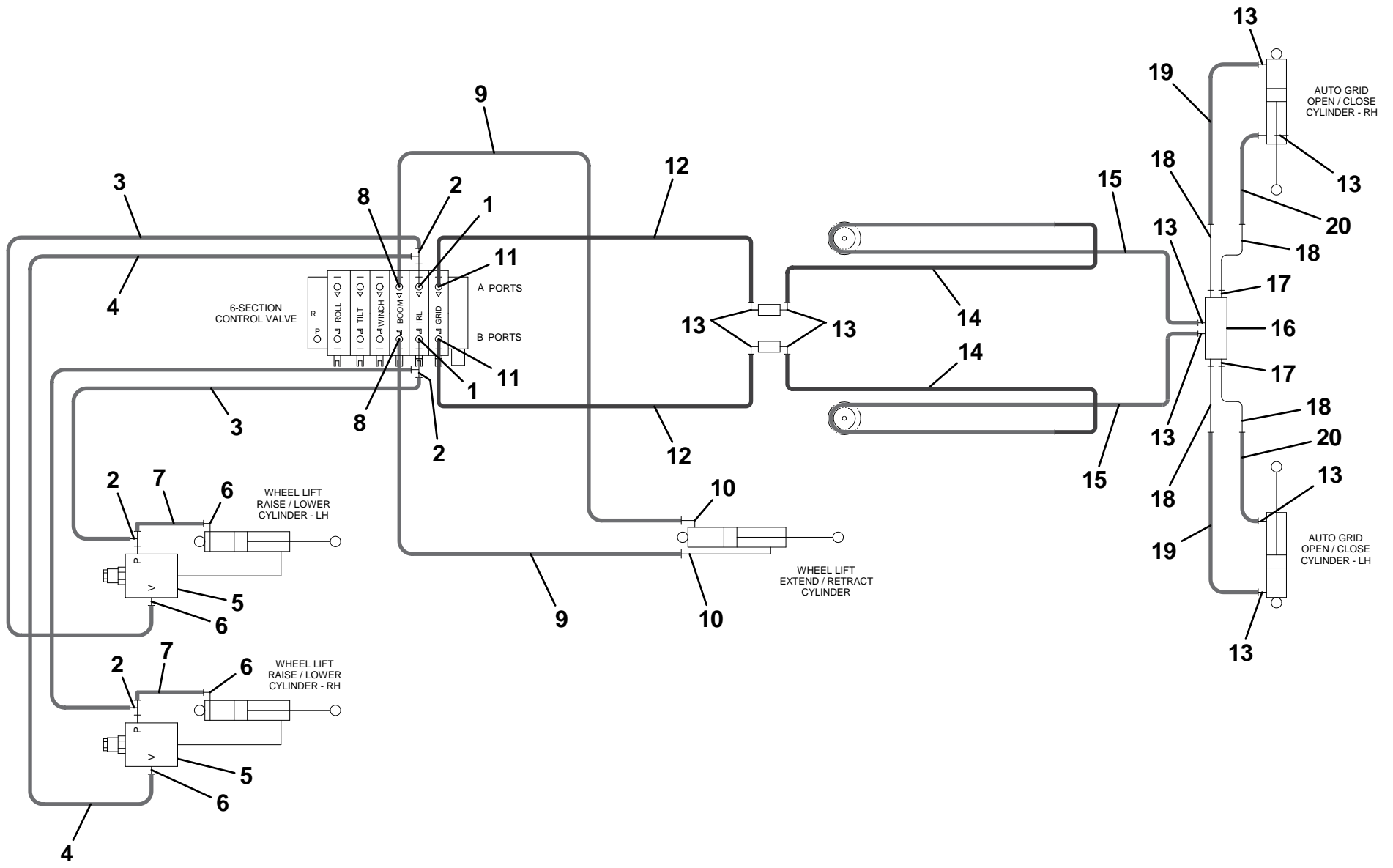
# HYDRAULIC COMPONENTS - IRL WHEEL LIFT WITH MANUAL GRIDS



**HYDRAULIC COMPONENTS - IRL WHEEL LIFT WITH HYDRAULIC GRIDS**

ITEM	PART NO.	DESCRIPTION	QTY
1	7443000129	Reducer	2
2	7445060648	Tee	4
3	4567123034	Hose Assembly	2
4	4567122032	Hose Assembly	2
5	7935000305	Counterbalance Valve	2
6	7445060645	Elbow	4
7	4567122014	Hose Assembly (Manual Grids)	2
	4567122014	Hose Assembly (Hyd Grids - low frame)	
	4567122012	Hose Assembly (Hyd Grids - high frame)	
8	7445040843	Adapter	2
9	4567110032	Hose Assembly (Manual Grids)	2
	4567110042	Hose Assembly (Hyd Grids - low frame)	
	4567110038	Hose Assembly (Hyd Grids - high frame)	
10	7445040446	Elbow	2
11	7443040843	Adapter	2
12	4567110038	Hose Assembly (Manual Grids)	2
	4567110038	Hose Assembly (Hyd Grids - low frame)	
	4567110034	Hose Assembly (Hyd Grids - high frame)	
13	7445040445	Elbow	10
14	7912000237	Tube Assembly	2
15	4570000234	Hose Assembly	2
16	4619000013	Manifold	1
17	7445040443	Adapter	4
18	7912000184	Tube Assembly	4
19	4570000210	Hose Assembly	2
20	4570000211	Hose Assembly	2

# HYDRAULIC COMPONENTS - IRL WHEEL LIFT WITH HYDRAULIC GRIDS

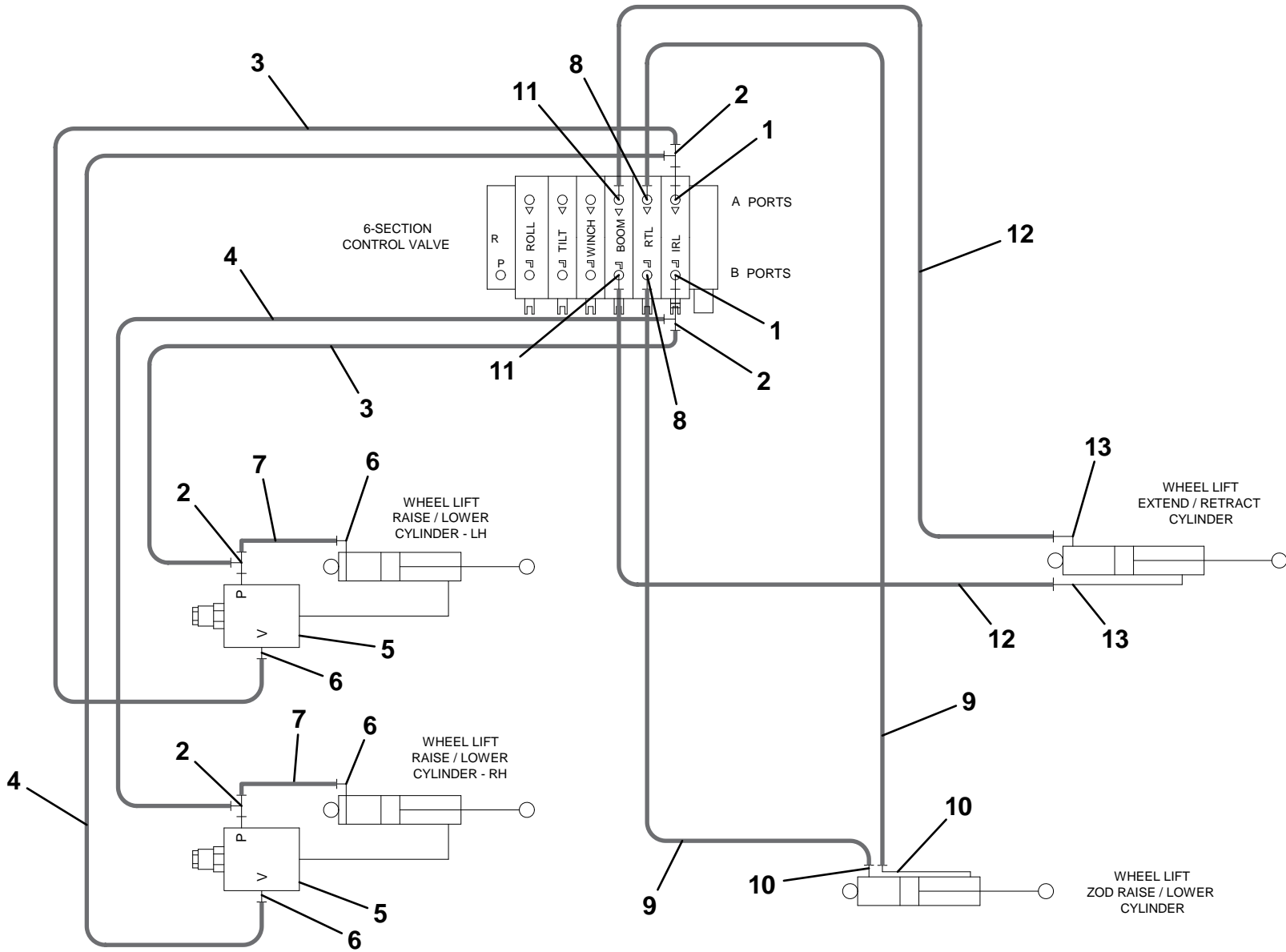


**HYDRAULIC COMPONENTS - ZOD WHEEL LIFT WITH MANUAL GRIDS**

ITEM	PART NO.	DESCRIPTION	QTY
1	7443000129	Reducer	2
2	7445060648	Tee	4
3	4567123034	Hose Assembly	2
4	4567122032	Hose Assembly	2
5	7935000305	Counterbalance Valve	2
6	7445060645	Elbow	4
7	4567122014	Hose Assembly	2
8	7445060843	Adapter	2
9	4567120025	Hose Assembly	2
10	7445060643	Adapter	4
11	7445040843	Adapter	2
12	4567110034	Hose Assembly	2
13	7445040446	Elbow	2



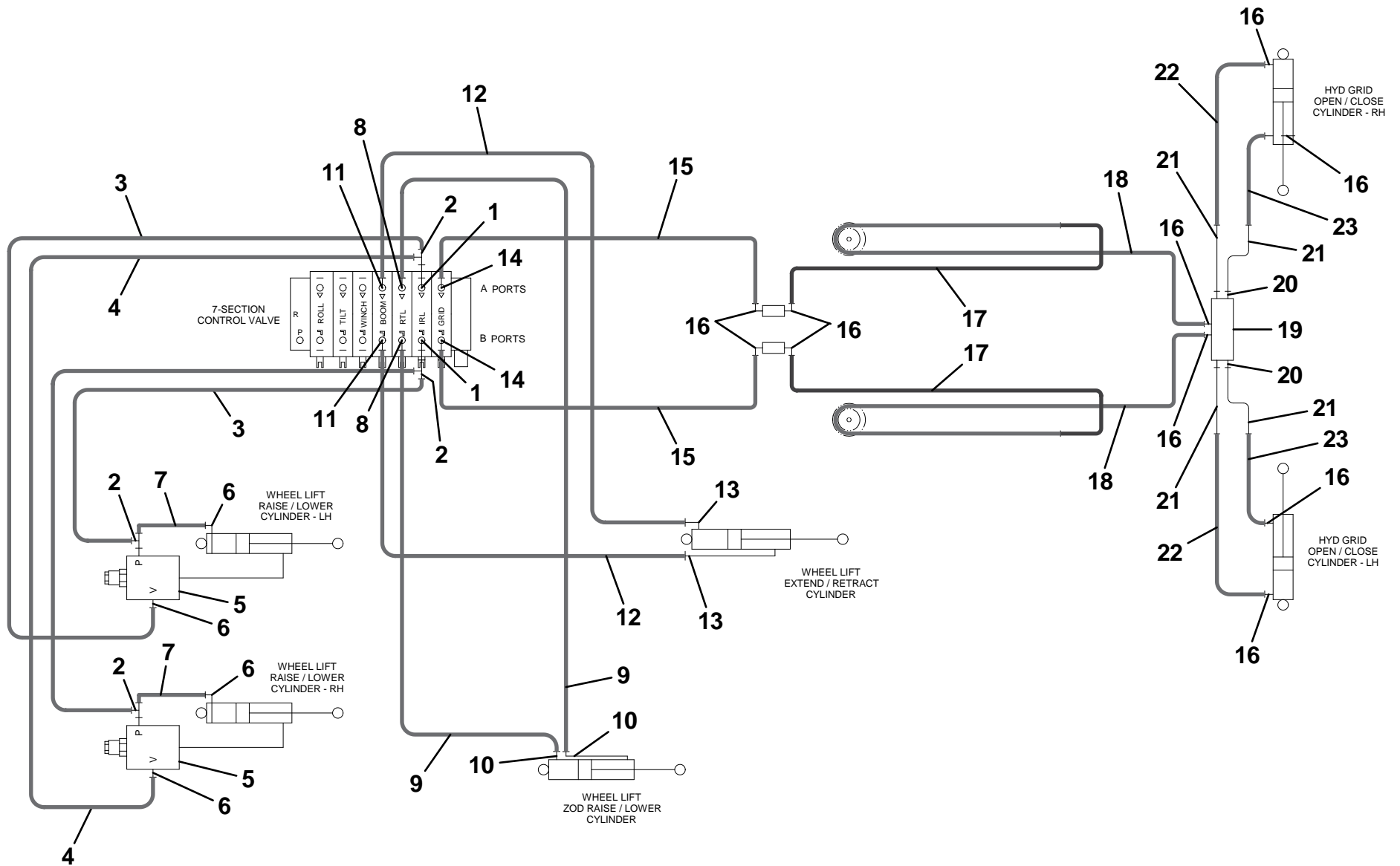
# HYDRAULIC COMPONENTS - ZOD WHEEL LIFT WITH MANUAL GRIDS



**HYDRAULIC COMPONENTS - ZOD WHEEL LIFT WITH HYDRAULIC GRIDS**

ITEM	PART NO.	DESCRIPTION	QTY
1	7443000129	Reducer	2
2	7445060648	Tee	4
3	4567123034	Hose Assembly	2
4	4567122032	Hose Assembly	2
5	7935000305	Counterbalance Valve	2
6	7445060645	Elbow	4
7	4567122014	Hose Assembly (Manual Grids)	2
	4567122014	Hose Assembly (Hyd Grids - low frame)	
	4567122012	Hose Assembly (Hyd Grids - high frame)	
8	7445060843	Adapter	2
9	4567120025	Hose Assembly	2
10	7443060643	Adapter	2
11	7445040843	Adapter	2
12	4567110032	Hose Assembly (Manual Grids)	2
	4567110042	Hose Assembly (Hyd Grids - low frame)	
	4567110038	Hose Assembly (Hyd Grids - high frame)	
13	7445040446	Elbow	2
14	7443040843	Adapter	2
15	4567110038	Hose Assembly (Manual Grids)	2
	4567110038	Hose Assembly (Hyd Grids - low frame)	
	4567110034	Hose Assembly (Hyd Grids - high frame)	
16	7445040445	Elbow	10
17	7912000237	Tube Assembly	2
18	4570000234	Hose Assembly	2
19	4619000013	Manifold	1
20	7445040443	Adapter	4
21	7912000184	Tube Assembly	4
22	4570000210	Hose Assembly	2
23	4570000211	Hose Assembly	2

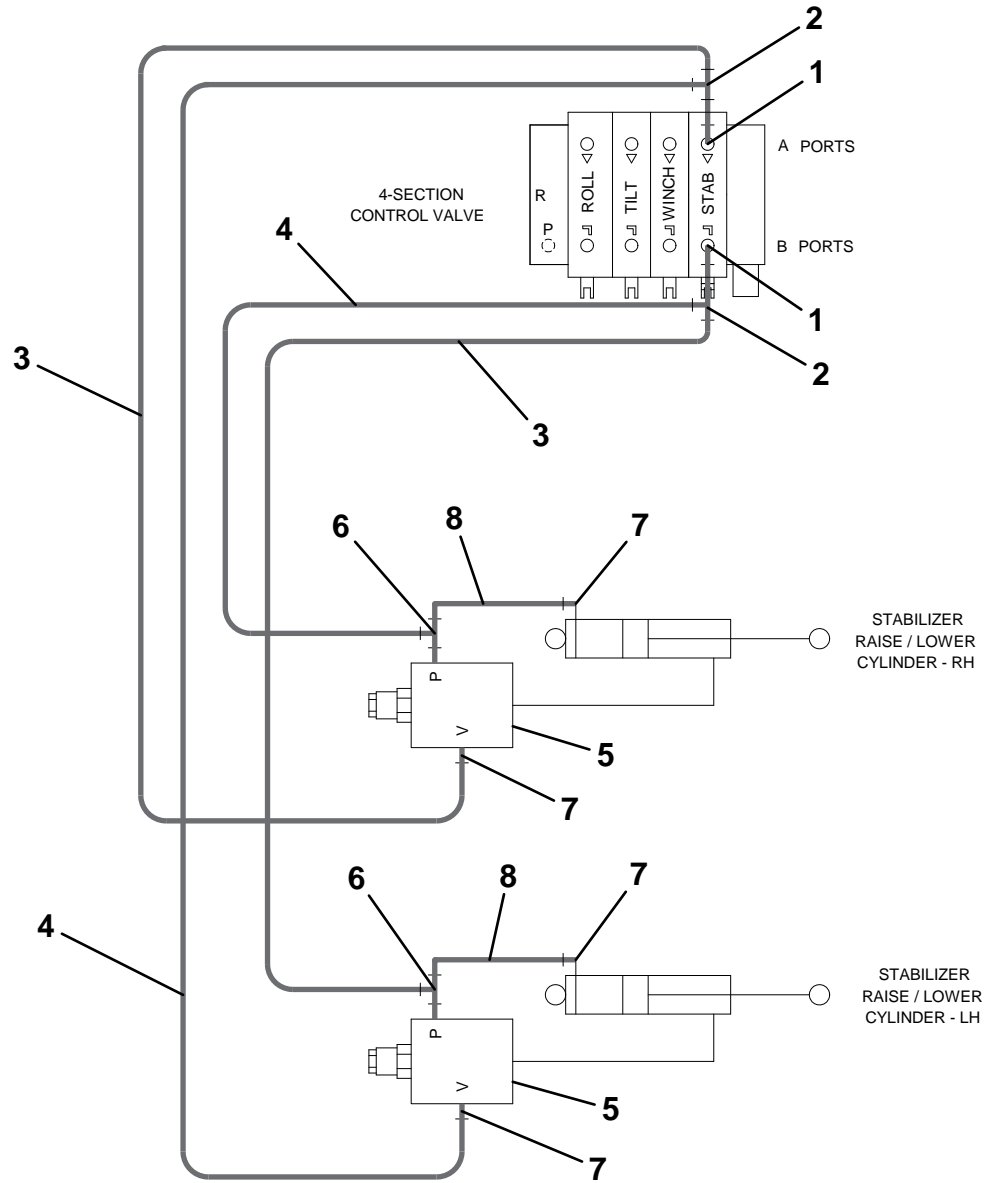
# HYDRAULIC COMPONENTS - ZOD WHEEL LIFT WITH HYDRAULIC GRIDS



**HYDRAULIC COMPONENTS - STABILIZER W/ REESE REC OR PINTLE HITCH**

ITEM	PART NO.	DESCRIPTION	QTY
1	7445060845	Elbow	2
2	7443000030	Tee	2
3	4567122032	Hose Assembly	2
4	4567122050	Hose Assembly	2
5	7935000305	Counterbalance Valve	2
6	7445060648	Tee	2
7	7445060645	Elbow	4
8	4567122014	Hose Assembly	2

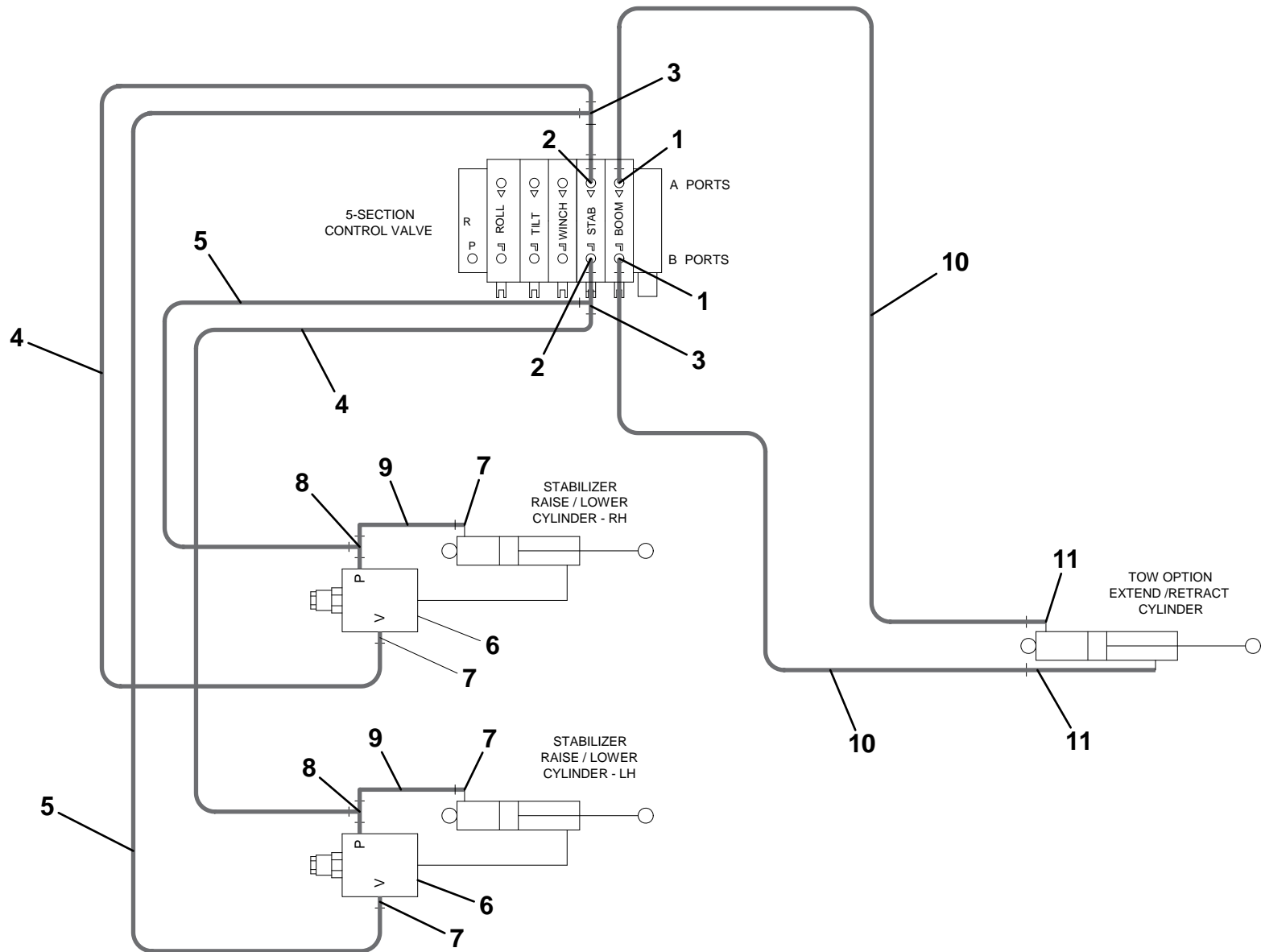
# HYDRAULIC COMPONENTS - STABILIZER W/ REESE REC OR PINTLE HITCH



**HYDRAULIC COMPONENTS - STABILIZER W/ HYD PINTLE HITCH MTG PLATE**

ITEM	PART NO.	DESCRIPTION	QTY
1	7445060843	Adapter	2
2	7445060845	Elbow	2
3	7443000030	Tee	2
4	4567122032	Hose Assembly	2
5	4567122050	Hose Assembly	2
6	7935000305	Counterbalance Valve	2
7	7445060645	Elbow	4
8	7445060648	Tee	2
9	4567122014	Hose Assembly	2
10	4567120024	Hose Assembly	2
11	7445060643	Adapter	2

# HYDRAULIC COMPONENTS - STABILIZER W/ HYD PINTLE HITCH MTG PLATE

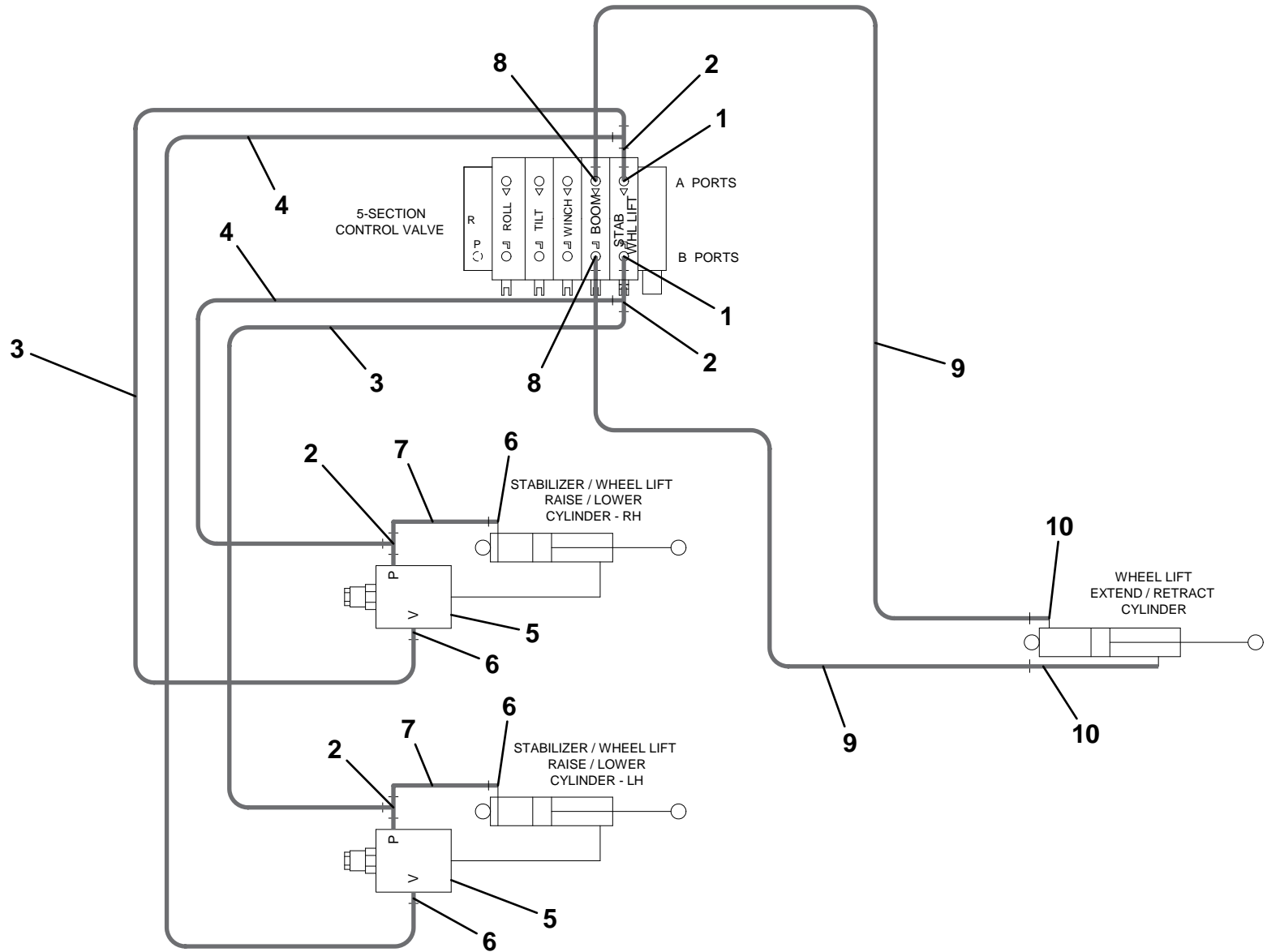


**HYDRAULIC COMPONENTS - IRL TOW OPTION**

ITEM	PART NO.	DESCRIPTION	QTY
1	7443000129	Reducer	2
2	7445060648	Tee	4
3	4567123034	Hose Assembly	2
4	4567122032	Hose Assembly	2
5	7935000305	Counterbalance Valve	2
6	7445060645	Elbow	4
7	4567122014	Hose Assembly	2
8	7445040843	Adapter	2
9	4567112042	Hose Assembly	2
10	7445040645	Elbow	2



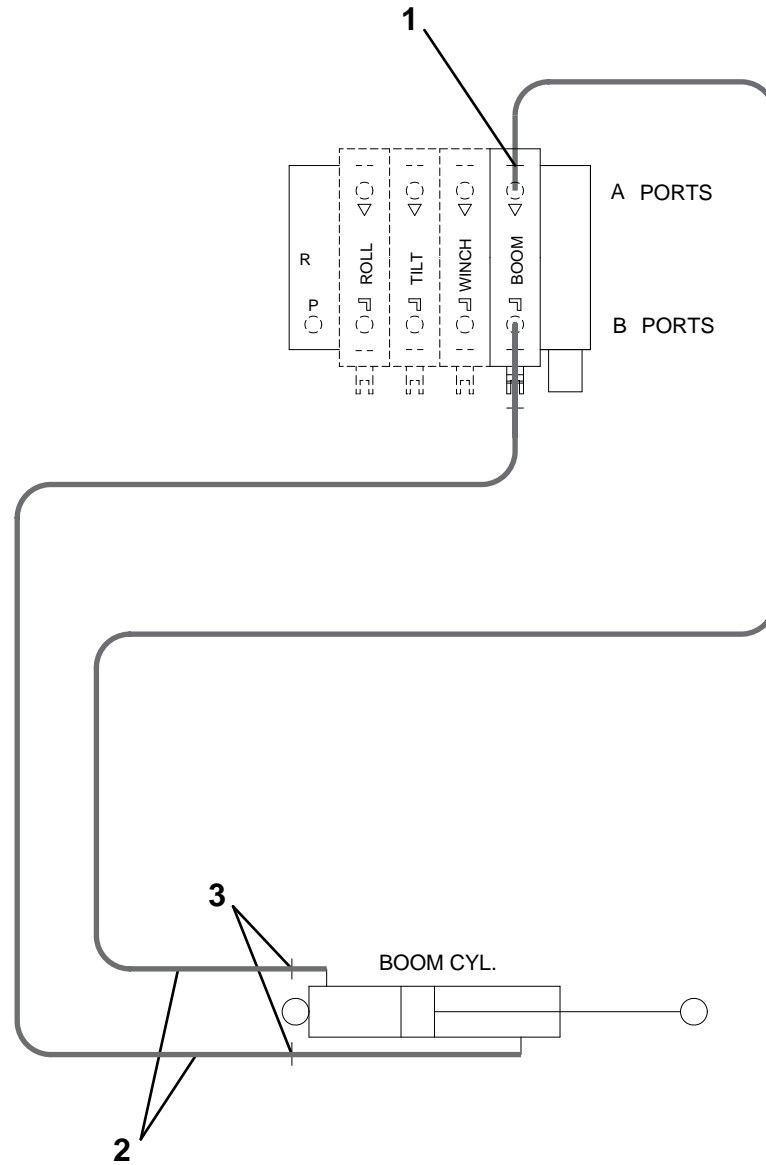
# HYDRAULIC COMPONENTS - IRL TOW OPTION



**HYDRAULIC COMPONENTS - HYDRAULIC EXTEND TOW OPTION**

ITEM	PART NO.	DESCRIPTION	QTY
1	7445040843	Adapter	2
2	4567112042	Hose Assembly	2
3	7445040645	Elbow	2

# HYDRAULIC COMPONENTS - HYDRAULIC EXTEND TOW OPTION

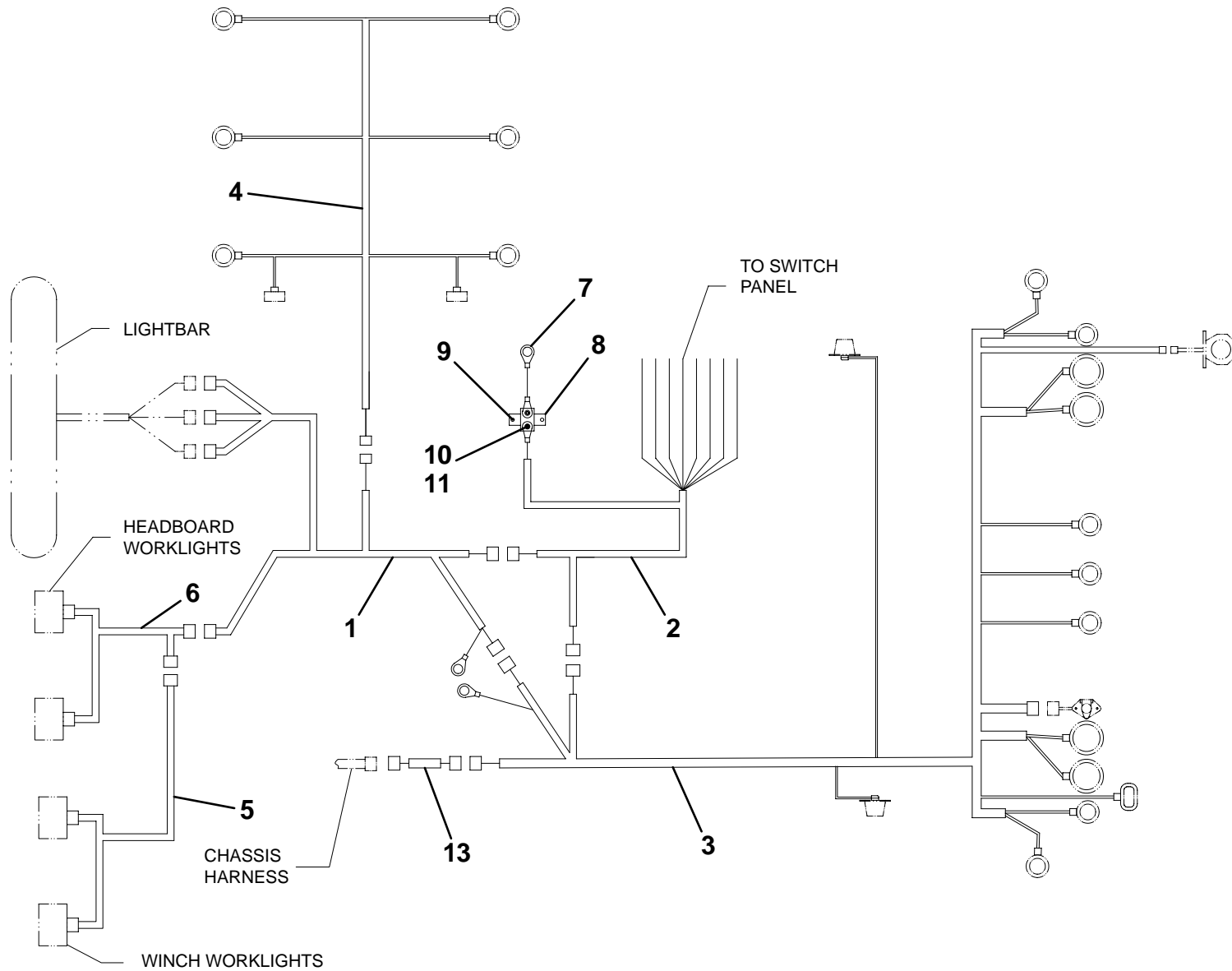


**ELECTRICAL COMPONENTS - STANDARD W/ BOLT-ON HEADBOARD**

ITEM	PART NO.	DESCRIPTION	QTY
1	7552000098	Subframe to Deck Harness	1
2	7552000074	Subframe to Cab Harness	1
3	7552000126	Subframe Harness	1
4	7552000177	Deck Harness	1
5	7552000166	Winch Lights Harness	1
6	7552000222	Work Lights on Headboard Harness	1
7	7345241902	Terminal	1
8	7457000004	Circuit Breaker	1
9	7790100856	Screw, #10 x 0.50"	2
10	7345221902	Terminal	2
11	7950100151	Flatwasher, 0.19" ID	2
12	7280000013	Clip	*
13	7577000194	Wiring Connector Kit	1

\* Quantity varies depending on deck construction

# ELECTRICAL COMPONENTS - STANDARD W/ BOLT-ON HEADBOARD

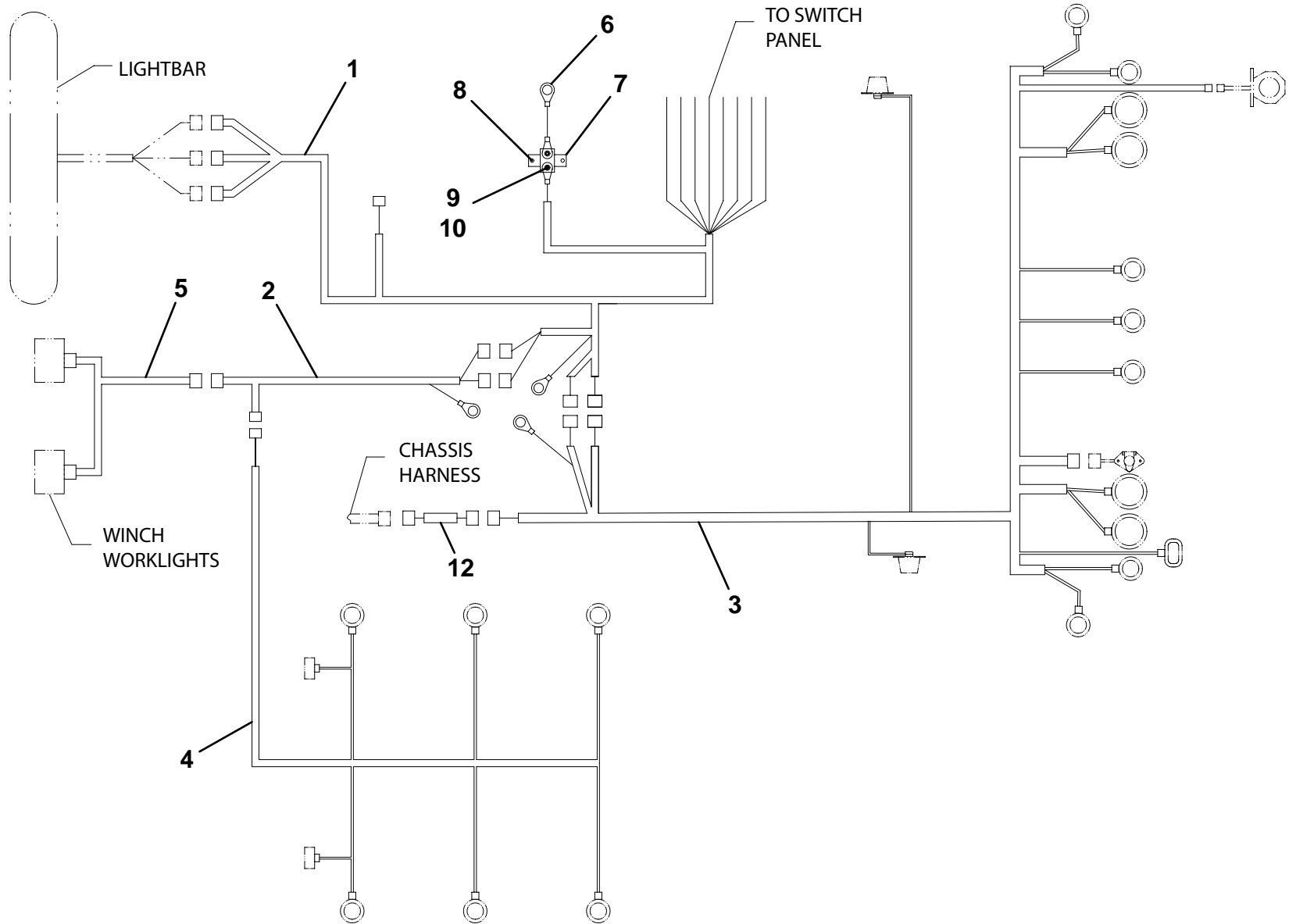


**ELECTRICAL COMPONENTS - STANDARD W/ STATIONARY HEADBOARD**

ITEM	PART NO.	DESCRIPTION	QTY
1	7552000204	Subframe to Cab Harness	1
2	7552000075	Subframe to Deck Harness	1
3	7552000126	Subframe Harness	1
4	7552000177	Deck Harness	1
5	7552000166	Winch Lights Harness	1
6	7345241902	Terminal	1
7	7457000004	Circuit Breaker	1
8	7790100856	Screw, #10 x 0.50"	2
9	7345221902	Terminal	2
10	7950100151	Flatwasher, 0.19" ID	2
11	7280000013	Clip	*
12	7577000194	Wiring Connector Kit	1

\* Quantity varies depending on deck construction

# ELECTRICAL COMPONENTS - STANDARD W/ STATIONARY HEADBOARD

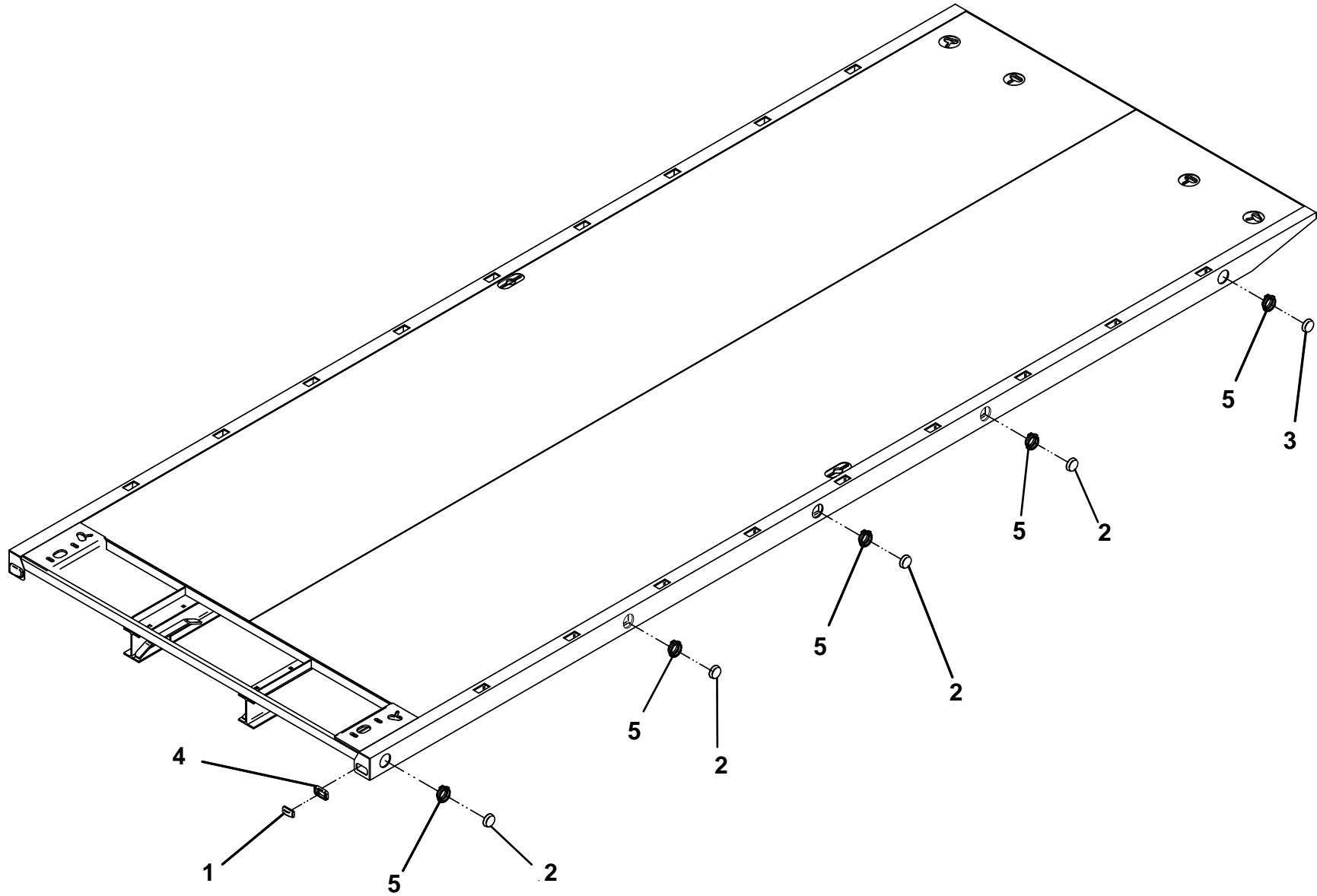


**DECK MARKER LIGHTS**

ITEM	PART NO.	DESCRIPTION	QTY
1	7590000339	Light, Amber	2
	7590000148	Light, Amber - 24V	2
2	7590000342	Light, Round - Amber	8
	7590000133	Light, Round - Amber - 24V	8
3	7590000343	Light, Round - Red	2
	7590000132	Light, Round - Red - 24V	2
4	7493000010	Grommet	2
5	7493000009	Grommet	10



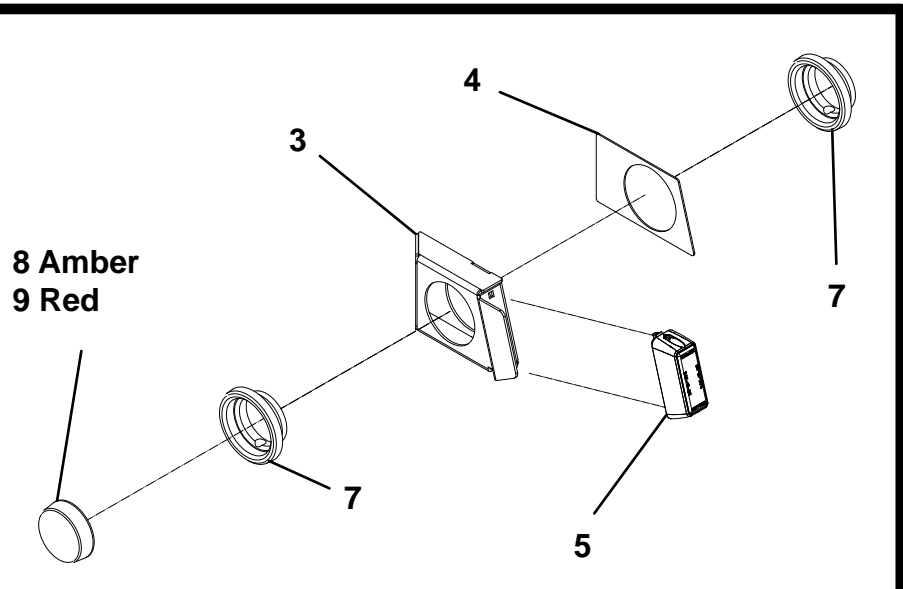
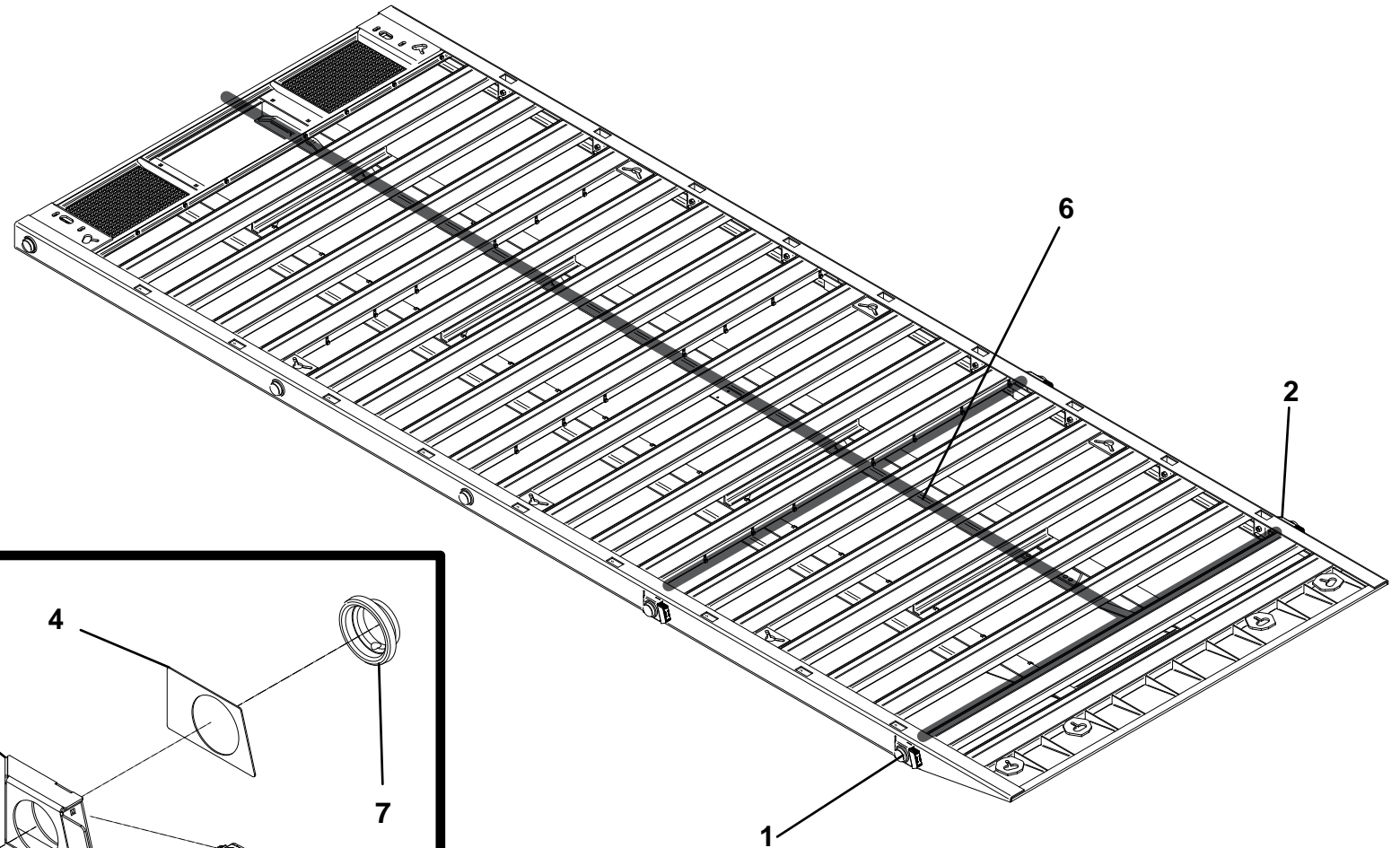
# DECK MARKER LIGHTS



**R.A.I.L. MARKER LIGHTS**

ITEM	PART NO.	DESCRIPTION	QTY
1	1001145074	Bracket w/ Whelen Flash, LH	2
2	1001145075	Bracket w/ Whelen Flash, RH	2
3	1001143064	Bracket, LH	2
	1001143063	Bracket, RH	2
4	1001145629	Double Sided Tape	4
5	1001143690	Lamp, Strobe	4
6	1001143642	Harness	1
7	7493000009	Grommet	8
8	7590000342	Light, Amber	2
9	7590000343	Light, Red	2
10	1001144986	Harness, Headboard	1

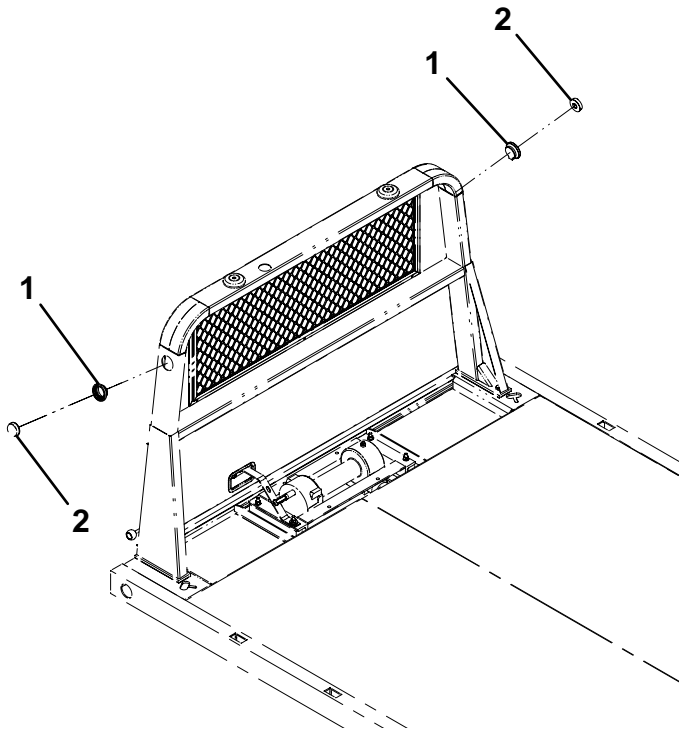
# R.A.I.L. MARKER LIGHTS



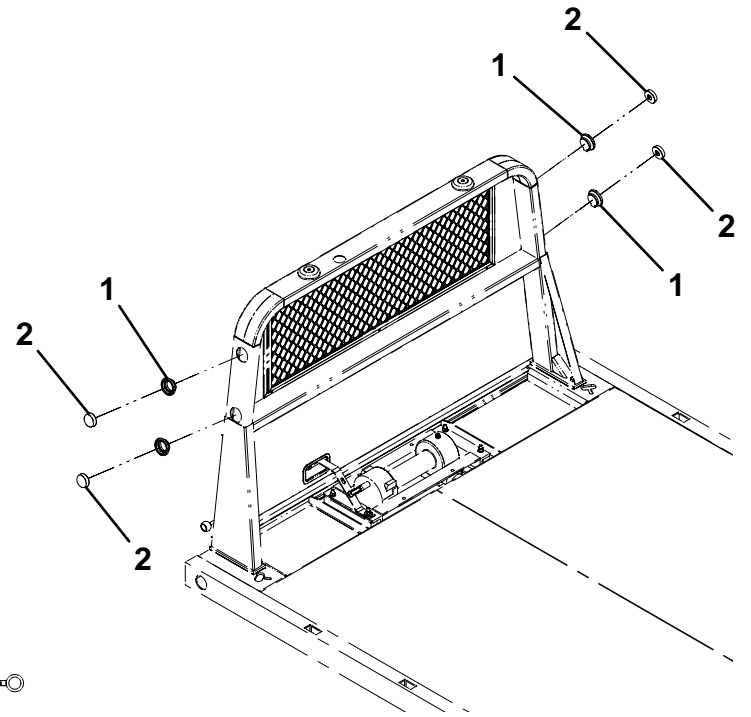
**HEADBOARD SIDE MARKER LIGHTS**

ITEM	PART NO.	DESCRIPTION	QTY
1	7493000009	Grommet (36" & 40" Headboard)	2
	7493000009	Grommet (45", 50" & 57" Headboard)	4
2	7590000342	Marker Light - Amber (LED) (36" & 40" Headboard)	2
	7590000342	Marker Light - Amber (LED) (45", 50" & 57" Headboard)	4
3	7552000409	Headboard to Cab Harness	1

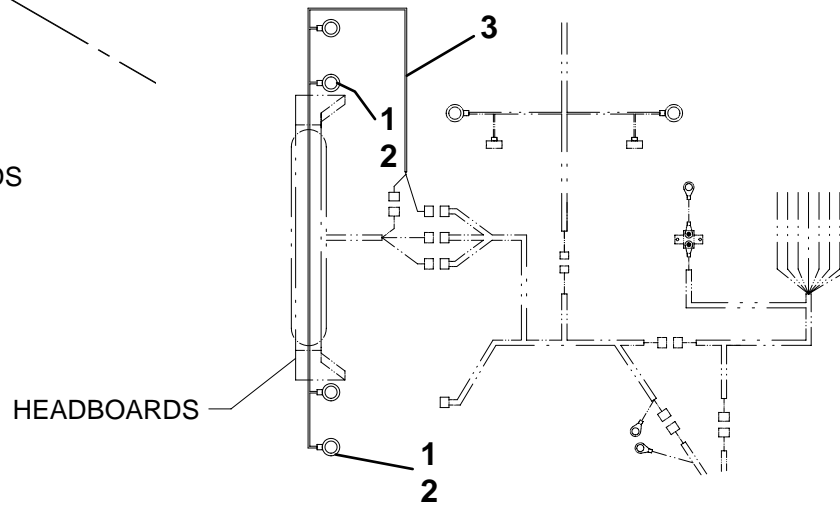
# HEADBOARD SIDE MARKER LIGHTS



FOR 36" & 40" HEADBOARDS



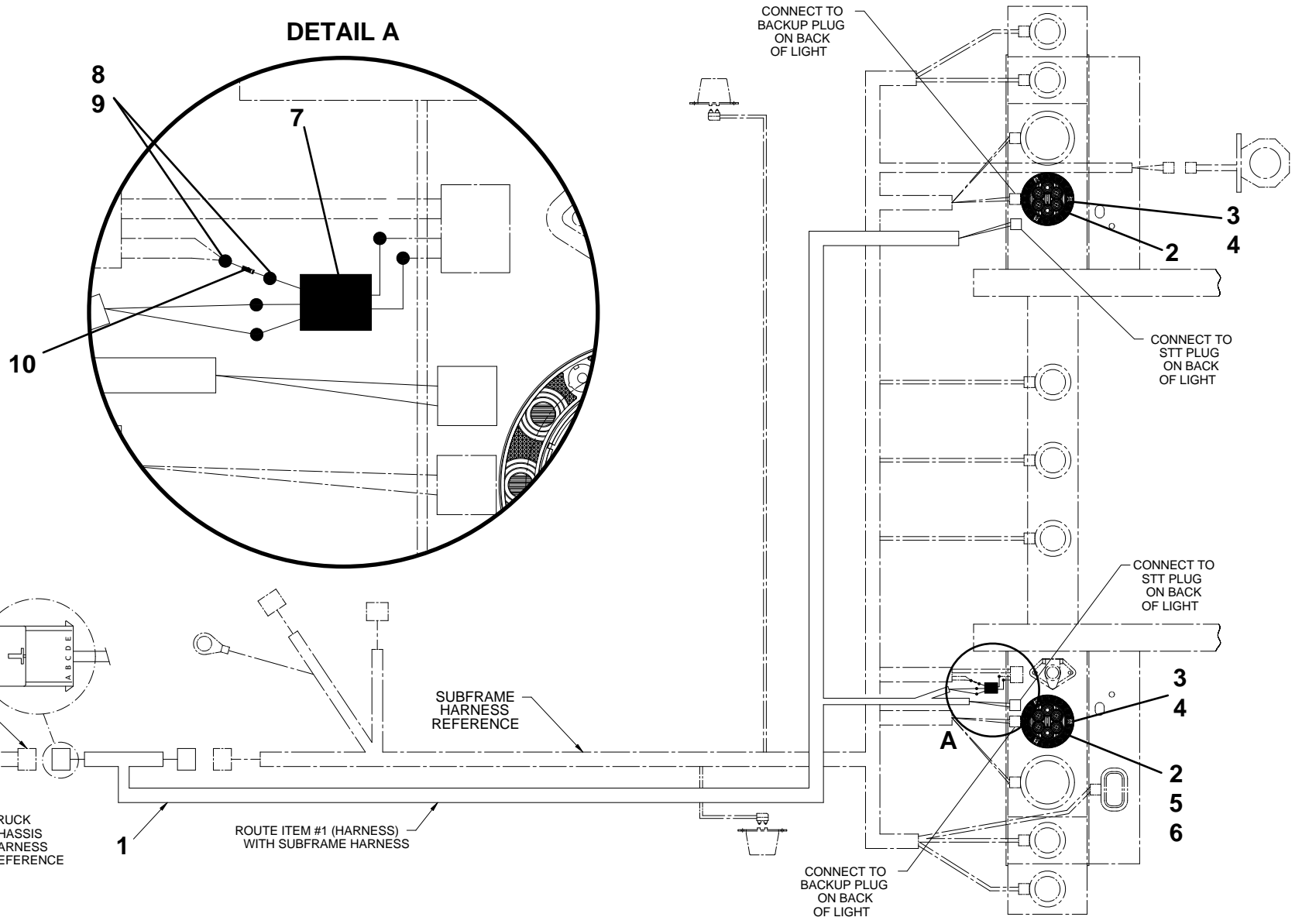
FOR 45", 50" & 57" HEADBOARDS



**ELECTRICAL COMPONENTS - OPTIONAL (TAIL LIGHT CONVERTER)**

ITEM	PART NO.	DESCRIPTION	QTY
1	7552000472	Harness	1
2	7590000432	Light	2
3	7114101018	Capscrew, #10-24NC x 1.25"	6
4	7660102604	Locknut, #10-24UNC	6
5	1001142769	Light	-2
6	7493000002	Grommet	-2
7	1001159336	Converter	1
8	7345001714	Terminal	6
9	7346000039	Heat Shrink Tubing	0.2
10	1001100949	Diode	1

# ELECTRICAL COMPONENTS - OPTIONAL (TAIL LIGHT CONVERTER)

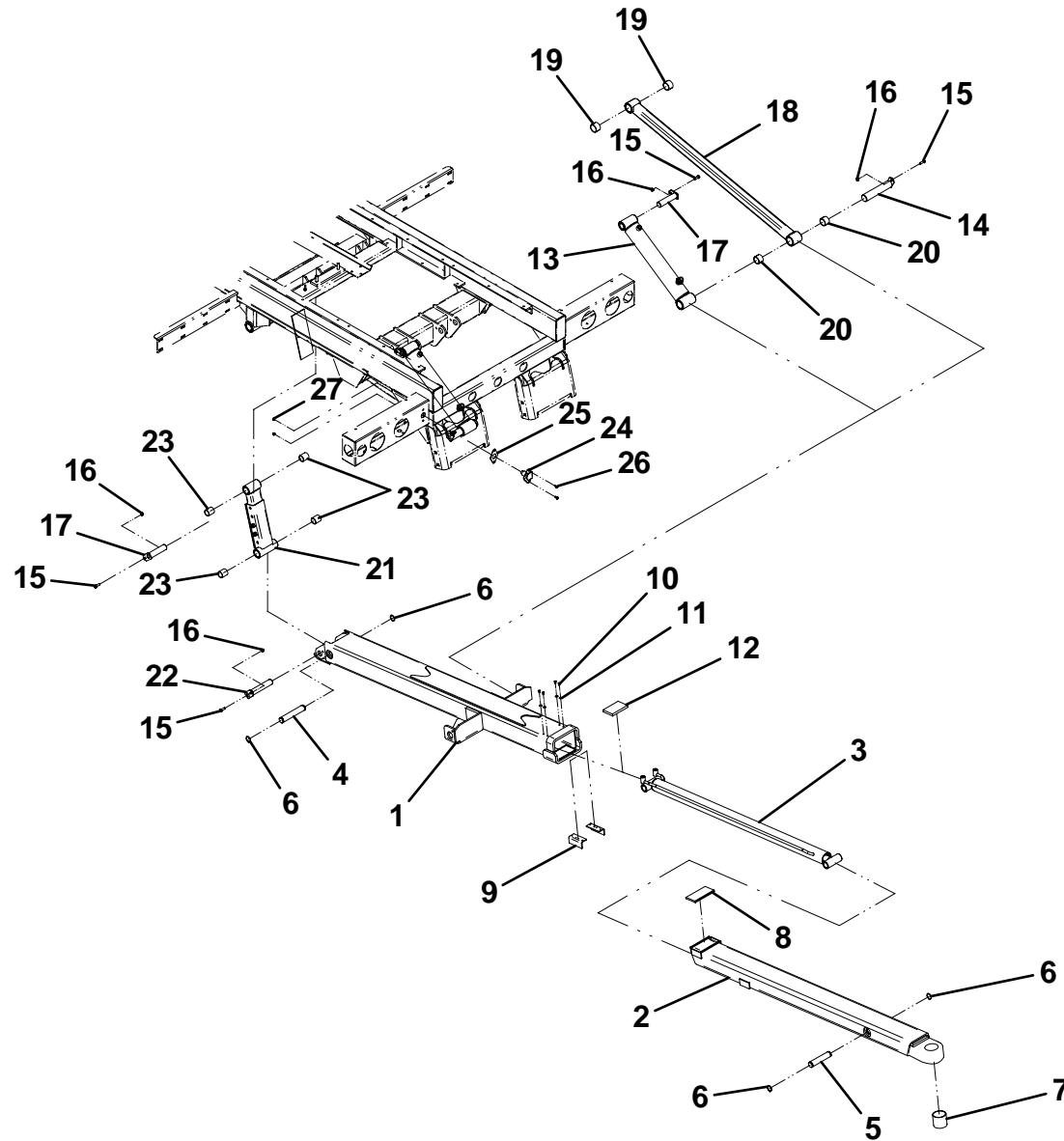


**IRL WHEEL LIFT - MANUAL GRIDS**

ITEM	PART NO.	DESCRIPTION	QTY
1	3170000170	Boom Outer Weld - Standard	1
	3170000445	Boom Outer Weld - Standard - Galvanized	1
	3170000450	Boom Outer Weld - Extended	1
	3170000456	Boom Outer Weld - Extended - Galvanized	1
2	1001158626	Tube Inner Weld	1
3	3320000115	Cylinder	1
4	4691000296	Pin	1
5	4691000268	Pin	1
6	7754000006	Retaining Ring	4
7	7209000030	Bushing	1
8	4679000046	Pad	1
9	4017000739	Angle	2
10	7118140418	Capscrew, 0.25"-20NC x 0.50"	4
11	4751300	Flatwasher, 0.18"	4
12	4679000211	Pad	1
13	3320000114	Cylinder	2
14	3691000164	Pin	2
15	7115160950	Bolt, 0.38"-16NC x 1.13"	6
16	7660162601	Locknut, 0.38"-16NC	6
17	3691000166	Pin	3
18	3020000113	Arm Weld - Galvanized	2
	3020000097	Arm Weld - Standard	2
19	7082000017	Bearing	4
20	7082000018	Bearing	4
21	3592000057	Link Assembly - Galvanized	1
	3592000036	Link Assembly - Standard	1
22	3691000069	Pin	1
23	7082000016	Bearing	4
24	7291000010	Connector Assembly	1
25	7796000048	Gasket	1
26	7114140528	Screw, 0.25"-20NC x 0.63"	2
27	7660142601	Locknut, 0.25"-20NC	2



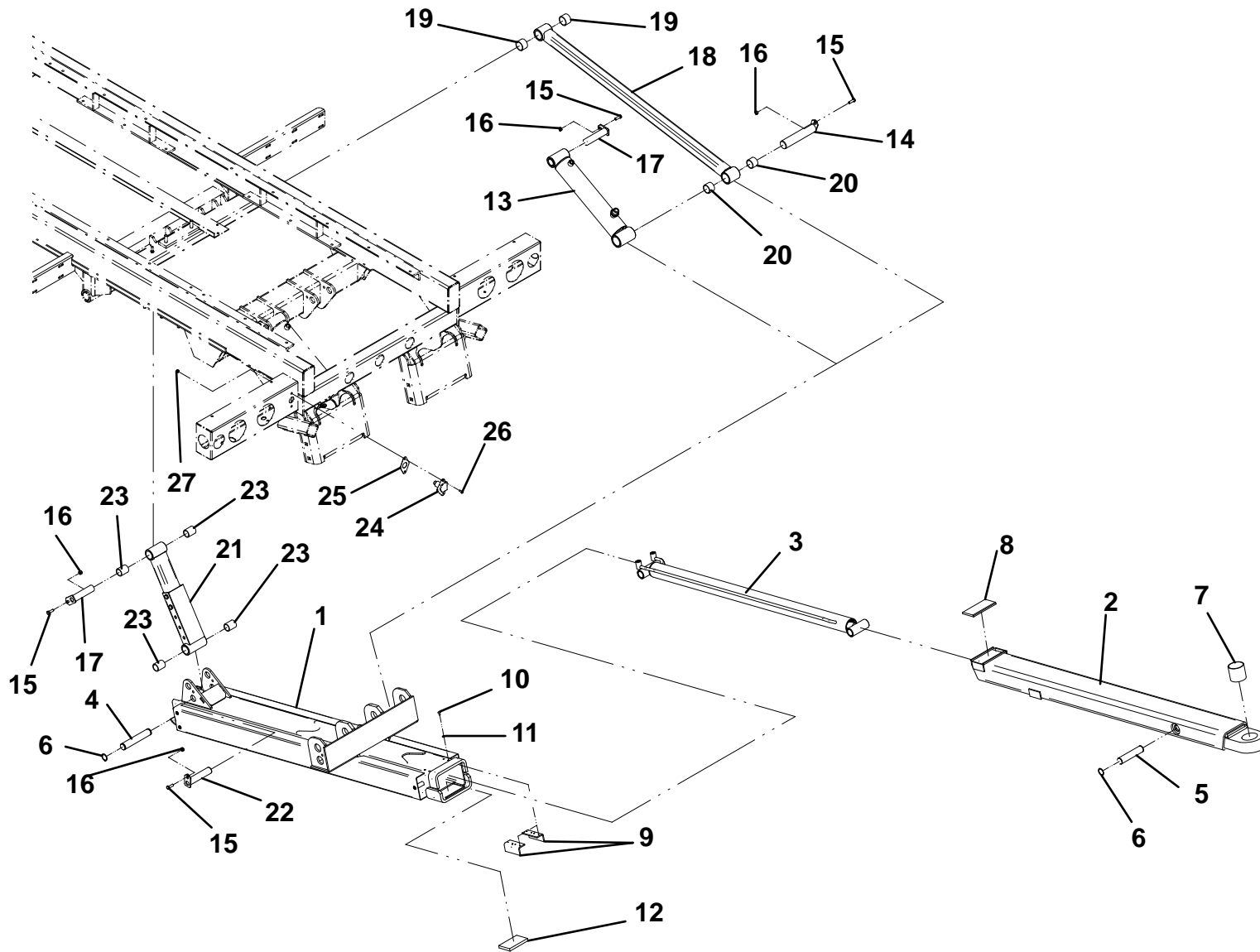
# IRL WHEEL LIFT - MANUAL GRIDS



**IRL WHEEL LIFT - HYDRAULIC GRIDS**

ITEM	PART NO.	DESCRIPTION	QTY
1	3170000428	Boom Weld Outer	1
2	1001158626	Tube Weld Inner	1
3	3320000115	Cylinder	1
4	4691000296	Pin	1
5	4691000268	Pin	1
6	7754000006	Retaining Ring	4
7	7209000030	Bushing	1
8	4679000046	Pad	1
9	4017000739	Angle	2
10	7118140418	Capscrew 0.25"-20NC x 0.50"	4
11	4751300	Flatwasher, 0.18" ID	4
12	4679000211	Pad	1
13	3320000114	Cylinder - High Frame	2
	3320000134	Cylinder	
14	3691000164	Pin	2
15	7115160950	Bolt, 0.38"-16NC x 1.13"	6
16	7660162601	Locknut, 0.38"-16NC	6
17	3691000166	Pin	3
18	3020000097	Arm Weld - High Frame	2
	3020000110	Arm Weld	2
19	7082000017	Bearing	4
20	7082000018	Bearing	4
21	3592000054	Link Assembly	1
22	3691000092	Pin	1
23	7082000016	Bearing	4
24	7291000010	Connector Assembly	1
25	7796000048	Gasket	1
26	7114140528	Screw, 0.25"-20NC x 0.63"	2
27	7660142601	Locknut, 0.25" -20NC	2

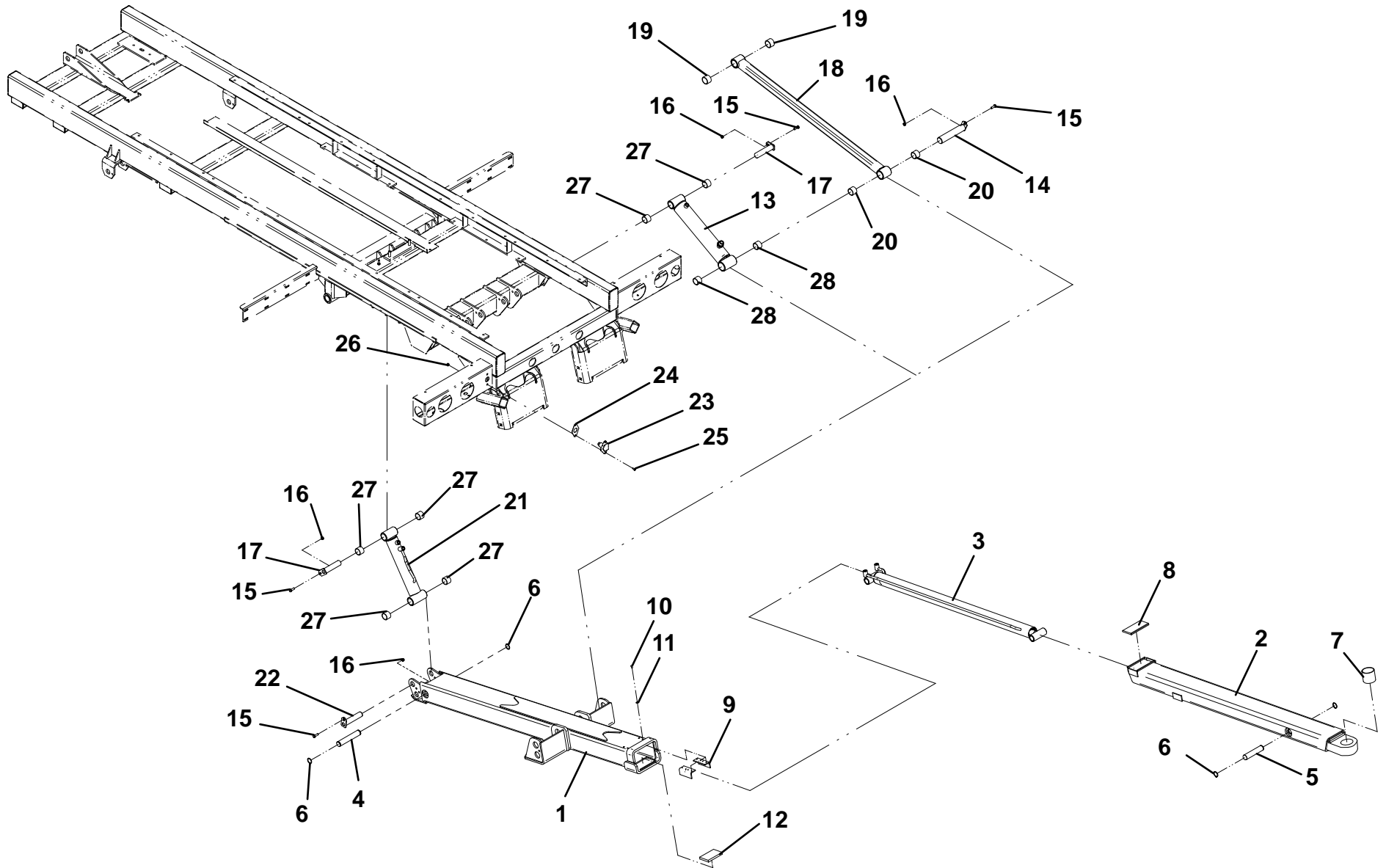
# IRL WHEEL LIFT - HYDRAULIC GRIDS



**ZOD WHEEL LIFT - MANUAL GRIDS**

ITEM	PART NO.	DESCRIPTION	QTY
1	3170000237	Boom Weld Outer - Standard	1
	3170000460	Boom Weld Outer - Galvanized	1
	3170000504	Boom Weld Outer - Galvanized (T-37 Grids)	
2	1001158626	Tube Weld Inner	1
	1001158627	Tube Weld Inner - Galvanized (T-37 Grids)	
3	3320000115	Cylinder	1
4	4691000296	Pin	1
5	4691000268	Pin	1
6	7754000006	Retaining Ring	4
7	7209000030	Bushing	1
8	4679000046	Pad	2
9	4017000739	Angle	2
10	7118140418	Capscrew, 0.25"-20NC x 0.50"	4
11	4751300	Flatwasher, 0.18" ID	4
12	46790000211	Pad	1
13	3320000114	Cylinder	2
14	3691000164	Pin	2
15	7115160950	Bolt, 0.38"-16NC x 1.13"	6
16	7660162601	Locknut, 0.38"-16NC	6
17	3691000166	Pin	3
18	3020000097	Arm Weld - Standard	2
	3020000113	Arm Weld - Galvanized	2
19	7082000017	Bearing	4
20	7082000018	Bearing	4
21	3320000118	Cylinder	1
22	3691000069	Pin	1
23	7291000010	Connector Assembly	1
24	7796000048	Gasket	1
25	7114140528	Screw, 0.25"-20NC x 0.63"	2
26	7660142601	Locknut, 0.25"-20NC	2
27	7082000016	Bearing	8
28	7082000018	Bearing	4

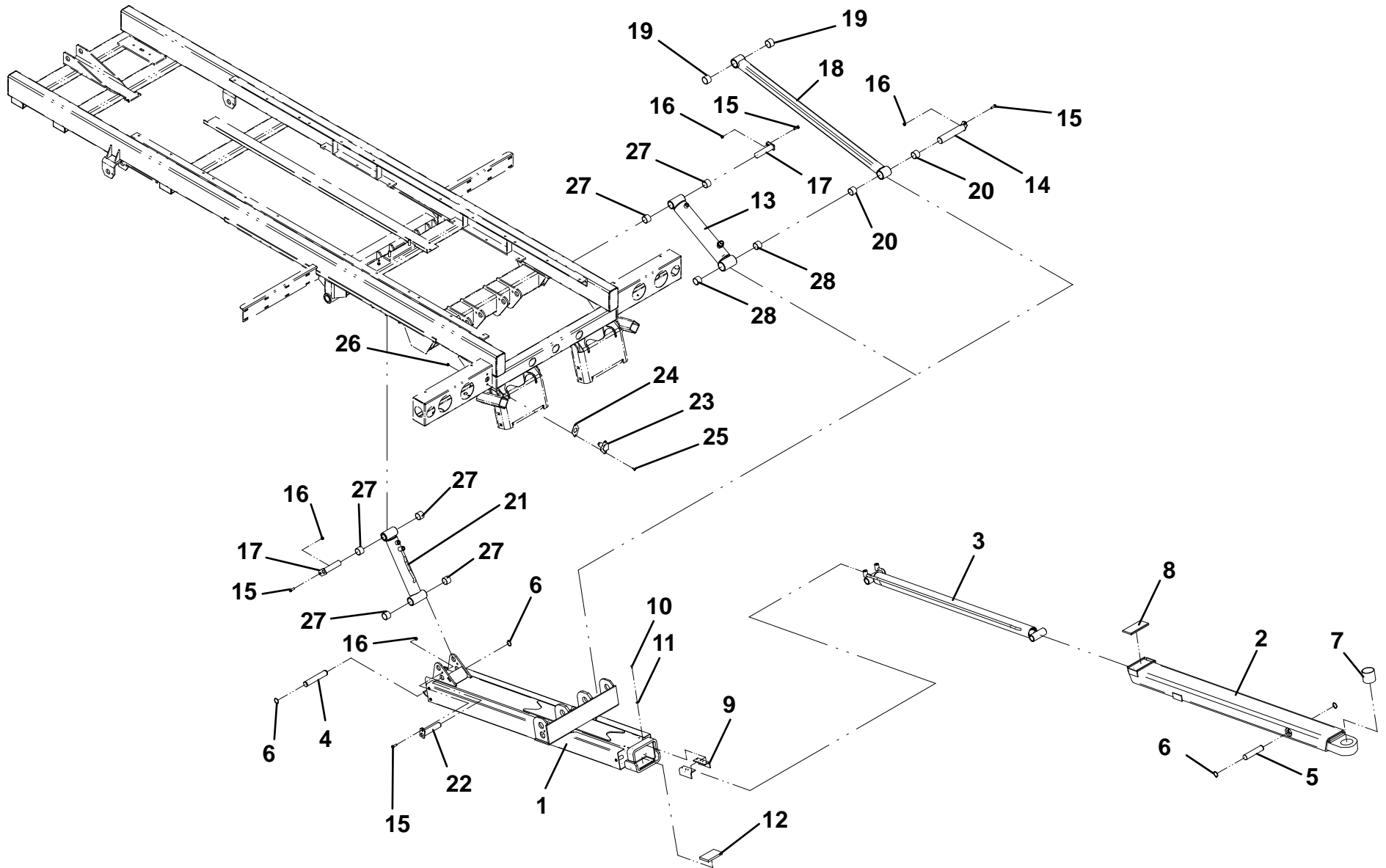
# ZOD WHEEL LIFT - MANUAL GRIDS



**ZOD WHEEL LIFT - HYDRAULIC GRIDS**

ITEM	PART NO.	DESCRIPTION	QTY
1	3170000428	Boom Weld Outer	1
2	1001158626	Tube Weld Inner	1
3	3320000115	Cylinder	1
4	4691000296	Pin	1
5	4691000268	Pin	1
6	7754000006	Retaining Ring	4
7	7209000030	Bushing	1
8	4679000046	Pad	1
9	4017000739	Angle	2
10	7118140418	Capscrew, 0.25"-20NC x 0.50"	4
11	4751300	Flatwasher, 0.18" ID	4
12	4679000211	Pad	1
13	3320000114	Cylinder	2
14	3691000164	Pin	2
15	7115160950	Bolt, 0.38"-16NC x 1.13"	6
16	7660162601	Locknut, 0.38"-16NC	6
17	3691000166	Pin	3
18	3020000097	Arm Weldment, 53.88"	2
	3020000110	Arm Weldment - Frame Heights > 37.00"	2
19	7082000017	Bearing	4
20	7082000018	Bearing	4
21	3320000157	Cylinder	1
22	3691000092	Pin	1
23	7291000010	Connector Assembly	1
24	7660142601	Locknut, 0.25"-20NC	2
25	7114140528	Screw .25"-20NC x 0.63"	2
26	7796000048	Gasket	1
27	7082000016	Bearing	8
28	7082000018	Bearing	4

# ZOD WHEEL LIFT - HYDRAULIC GRIDS

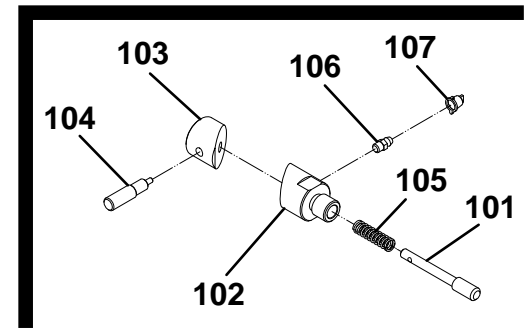
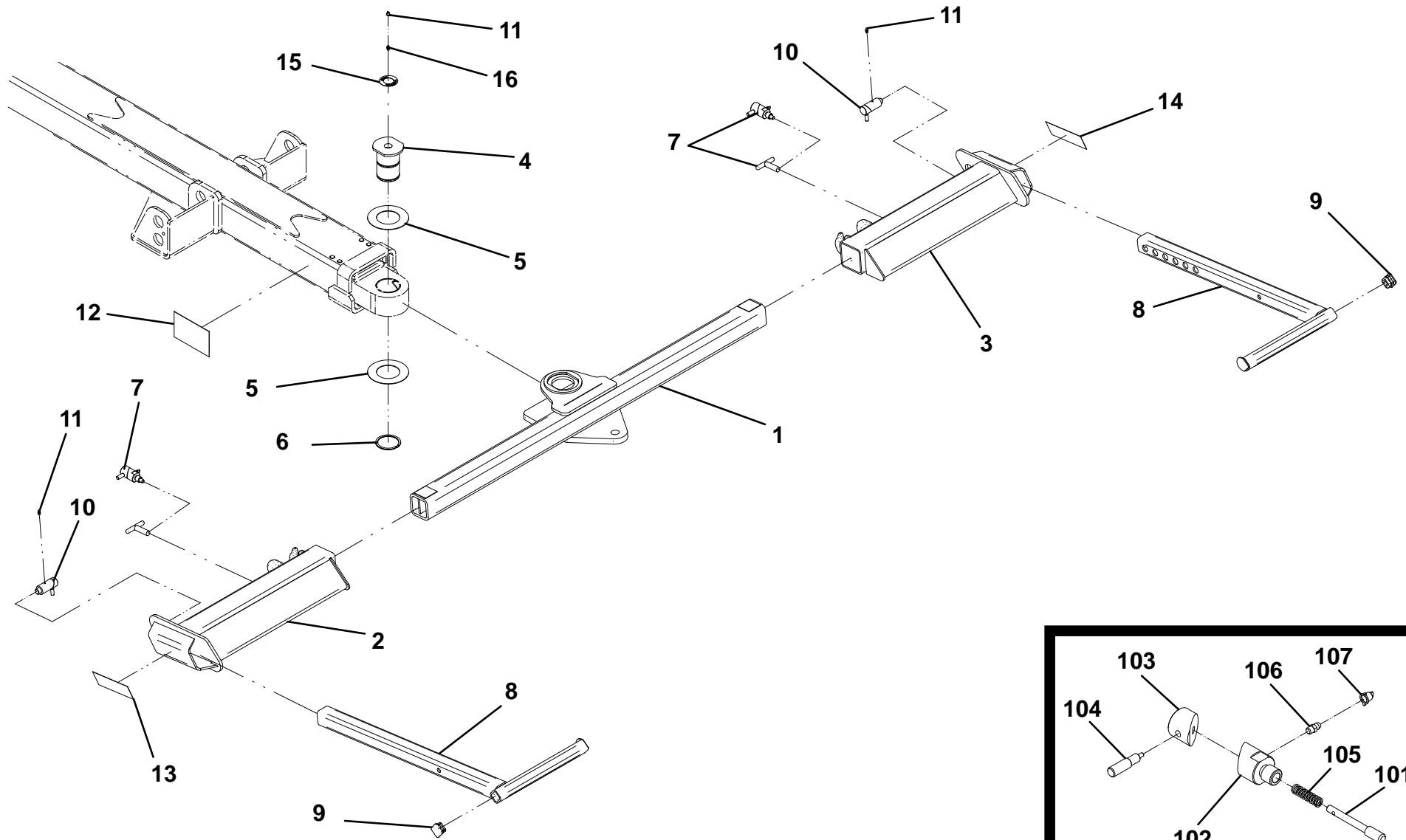


**MANUAL L-ARM WHEEL LIFT GRID W/ BALL PLATE**

ITEM	PART NO.	DESCRIPTION	QTY
1	3913000093	Tube Weld Pivot w/ Ball Plate - IRL	1
	3913000096	Tube Weld Pivot w/ Ball Plate - ZOD	1
2	3484000035	Grid Weld LH	1
3	3484000034	Grid Weld RH	1
4	4691000278	Pin	1
5	4949000047	Washer, 5.00" OD x 2.84" ID	2
6	7754000024	Retaining Ring	1
7	3551000036	T-Handle	2
	1001153950	Cam-Lock	2
8	3020000072	L-Arm Weld - Standard	2
8	3020000114	L-Arm Weld Galvanized	2
9	7701000062	Plug	2
10	3551000011	Cam Lock Assembly	2
11	7253000002	Grease Fitting	1
12	7330000419	Decal	2
13	7330000417	Decal, LH	1
14	7330000418	Decal, RH	1
15	7330000609	Decal, Grease Required	1
16	7440030000	Grease Fitting	2
101	1001153944	Pin	1
102	1001153945	Tube	1
103	1001153946	Cap	1
104	1001153947	Handle	1
105	1001153971	Spring	1
106	7440030000	Grease Fitting	1
107	7253000002	Grease Fitting Cap	1



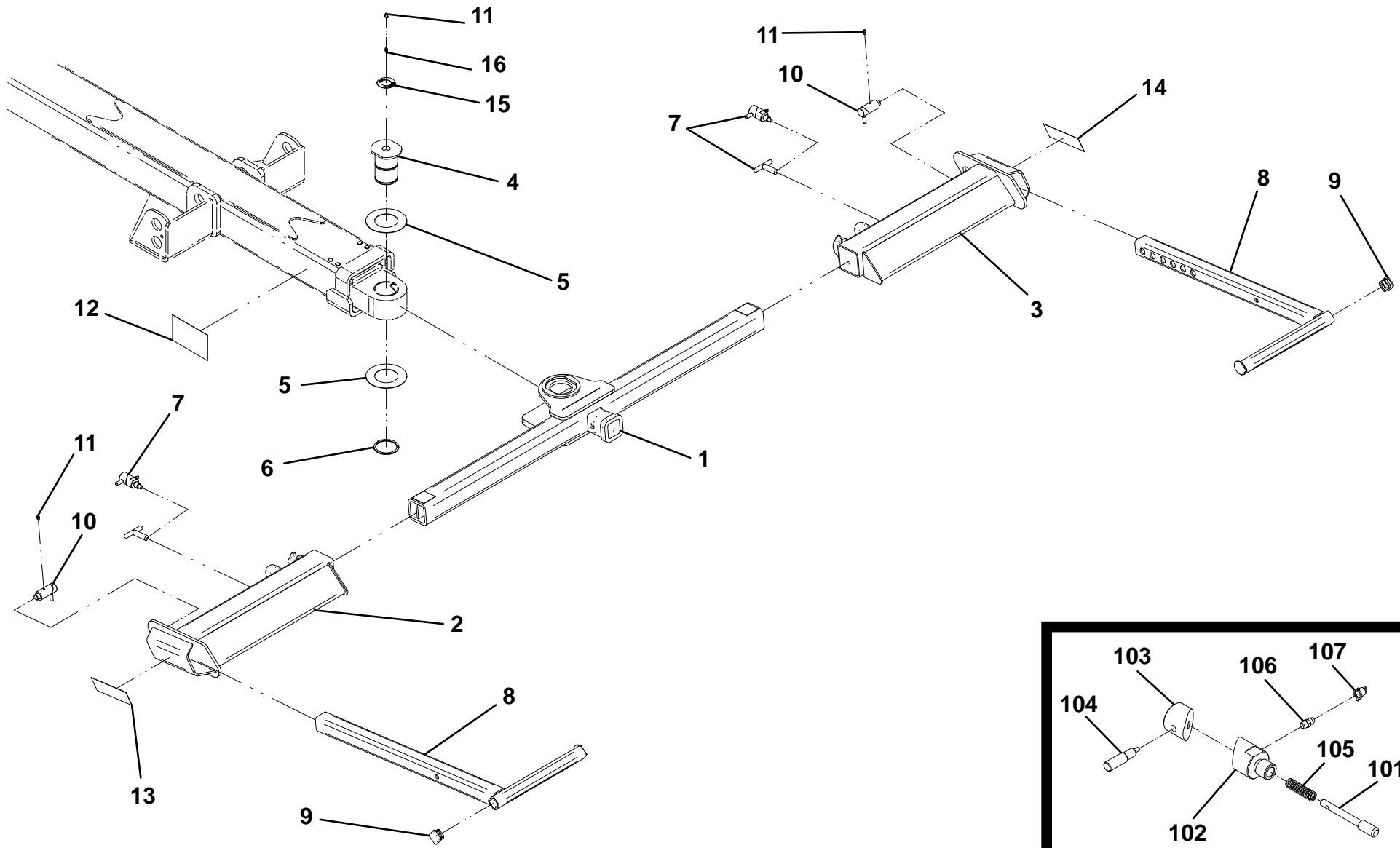
# MANUAL L-ARM WHEEL LIFT GRID W/ BALL PLATE



**MANUAL L-ARM WHEEL LIFT GRID W/ REESE RECIEVER**

ITEM	PART NO.	DESCRIPTION	QTY
1	3913000098	Tube Weld Pivot w/ Reese - IRL	1
	3913000099	Tube Weld Pivot w/ Reese - ZOD	1
2	3484000035	Grid Weld LH	1
3	3484000034	Grid Weld RH	1
4	4691000278	Pin	1
5	4949000047	Washer, 5.00" OD x 2.84" ID	2
6	7754000024	Retaining Ring	1
7	3551000036	T-Handle	2
	1001153950	Cam-Lock	2
8	3020000072	L-Arm Weld - Standard	2
8	3020000114	L-Arm Weld - Galvanized	2
9	7701000062	Plug	2
10	3551000011	Cam Lock Assembly	2
11	7253000002	Grease Fitting	1
12	7330000419	Decal	2
13	7330000417	Decal, LH	1
14	7330000418	Decal, RH	1
15	7330000609	Decal, Grease Required	1
16	7440030000	Grease Fitting	2
101	1001153944	Pin	1
102	1001153945	Tube	1
103	1001153946	Cap	1
104	1001153947	Handle	1
105	1001153971	Spring	1
106	7440030000	Grease Fitting	1
107	7253000002	Grease Fitting Cap	1

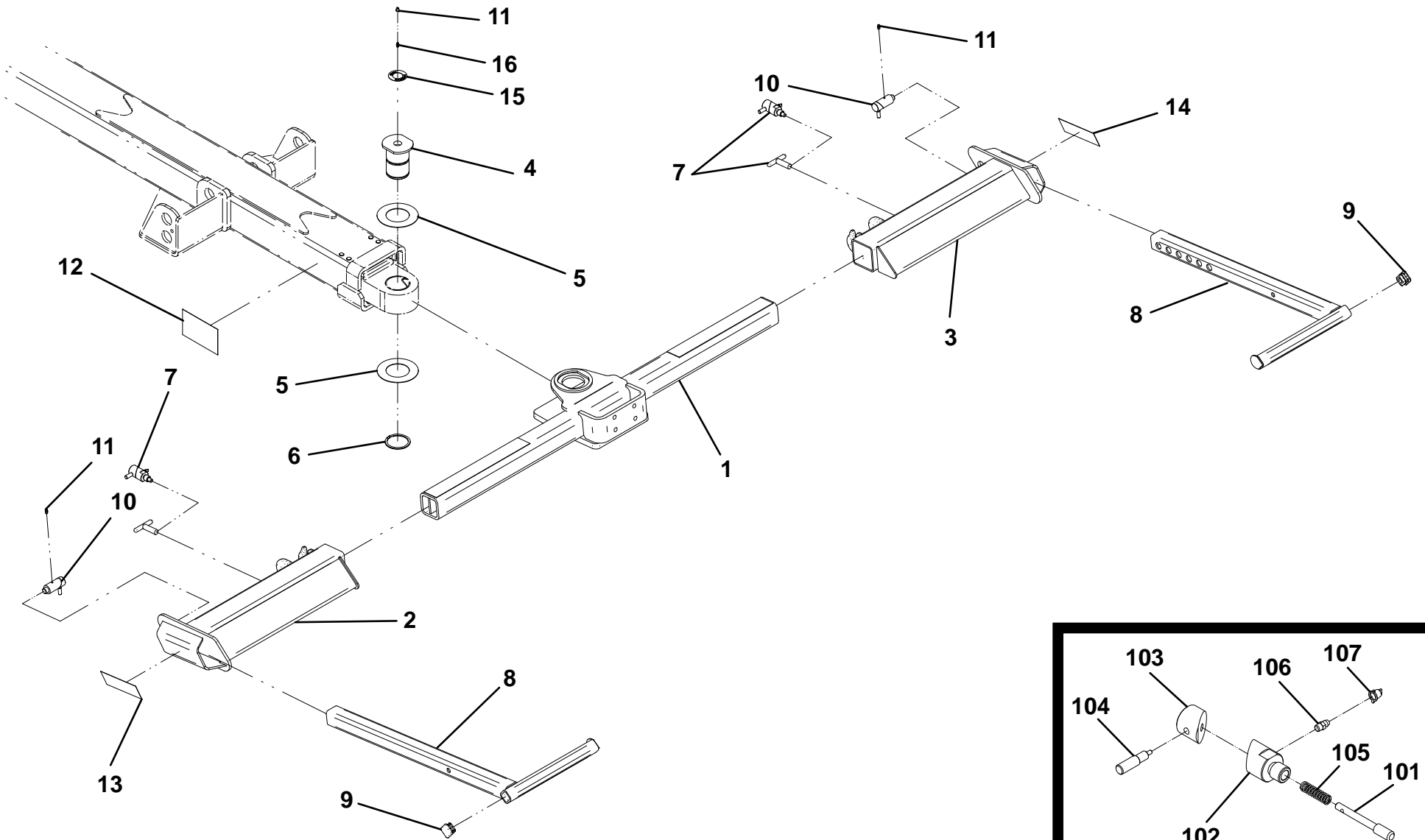
# MANUAL L-ARM WHEEL LIFT GRID W/REESE RECIEVER



**MANUAL L-ARM WHEEL LIFT GRID W/ PINTLE PLATE**

ITEM	PART NO.	DESCRIPTION	QTY
1	3550001747	Tube Weld Pivot w/ Pintle	1
2	3484000035	Grid Weld LH	1
3	3484000034	Grid Weld RH	1
4	4691000278	Pin	1
5	4949000047	Washer, 5.00" OD x 2.84" ID	2
6	7754000024	Retaining Ring	1
7	3551000036	T-Handle	2
	1001153950	Cam-Lock	2
8	3020000072	L-Arm Weld - Standard	2
9	7701000062	Plug	2
10	3551000011	Cam Lock Assembly	2
11	7253000002	Grease Fitting	1
12	7330000419	Decal	2
13	7330000417	Decal, LH	1
14	7330000418	Decal, RH	1
15	7330000609	Decal, Grease Required	1
16	7440030000	Grease Fitting	2
101	1001153944	Pin	1
102	1001153945	Tube	1
103	1001153946	Cap	1
104	1001153947	Handle	1
105	1001153971	Spring	1
106	7440030000	Grease Fitting	1
107	7253000002	Grease Fitting Cap	1

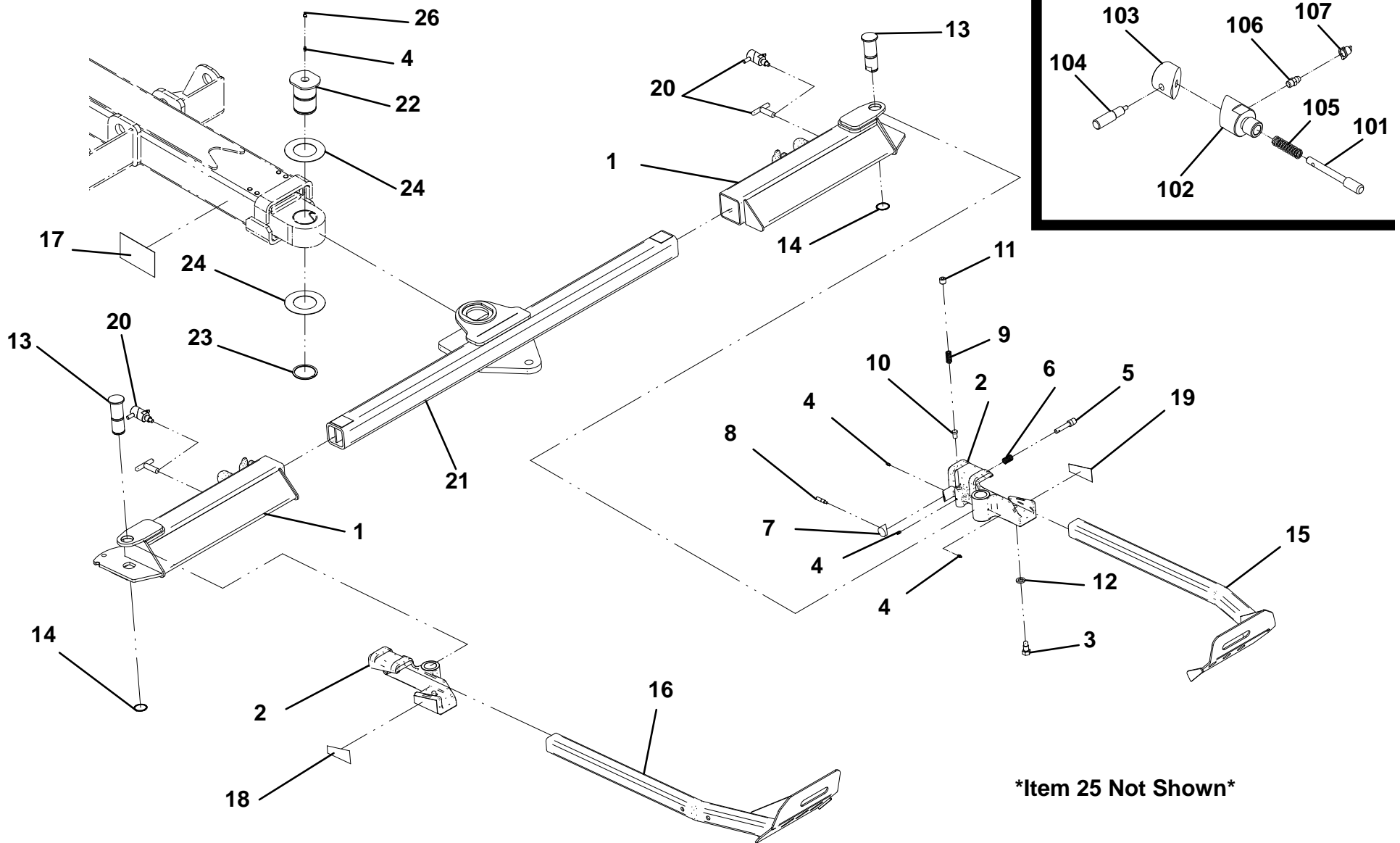
# MANUAL L-ARM WHEEL LIFT GRID W/ PINTLE PLATE



**MANUAL T37 PIVOTING WHEEL LIFT GRID W/ BALL PLATE**

ITEM	PART NO.	DESCRIPTION	QTY
1	3484000051	Grid Weld LH	1
2	4259000002	Grid Pivot LH	1
3	4691000354	Pin	1
4	7440030000	Grease Fitting	4
5	4691000186	Pin	1
6	7843000006	Spring	1
7	4254000005	Cap, 1.25" x 1.22"	1
8	4763000184	Rod	1
9	7843000016	Spring	1
10	4691000183	Pin	1
11	7786000006	Screw, 0.75"-10NC x 0.63"	1
12	7950200000	Lockwasher, 0.63" ID	1
13	4691000357	Pin	1
14	7754000037	Retaining Ring	1
1	3484000050	Grid Weld RH	1
2	4259000001	Grid Pivot RH	1
15	3020000030	L-Arm Weld RH	1
16	3020000029	L-Arm Weld LH	1
17	7330000419	Decal	2
18	7330000420	Decal LH	1
19	7330000432	Decal RH	1
20	3551000036	T-Handle Weld	2
	1001153950	Cam-Lock	2
21	3913000093	Tube Weld Pivot w/Ball Plate - IRL	1
	3913000096	Tube Weld Pivot w/Ball Plate - ZOD	1
22	4691000278	Pin	1
23	7754000024	Retaining Ring	1
24	4949000047	Washer, 5.00" OD x 2.84" ID	2
25	7330000609	Decal	1
26	7253000002	Grease Fitting Cap	1
101	1001153944	Pin	1
102	1001153945	Tube	1
103	1001153946	Cap	1
104	1001153947	Handle	1
105	1001153971	Spring	1
106	7440030000	Grease Fitting	1
107	7253000002	Grease Fitting Cap	1

# MANUAL T37 PIVOTING WHEEL LIFT GRID W/ BALL PLATE

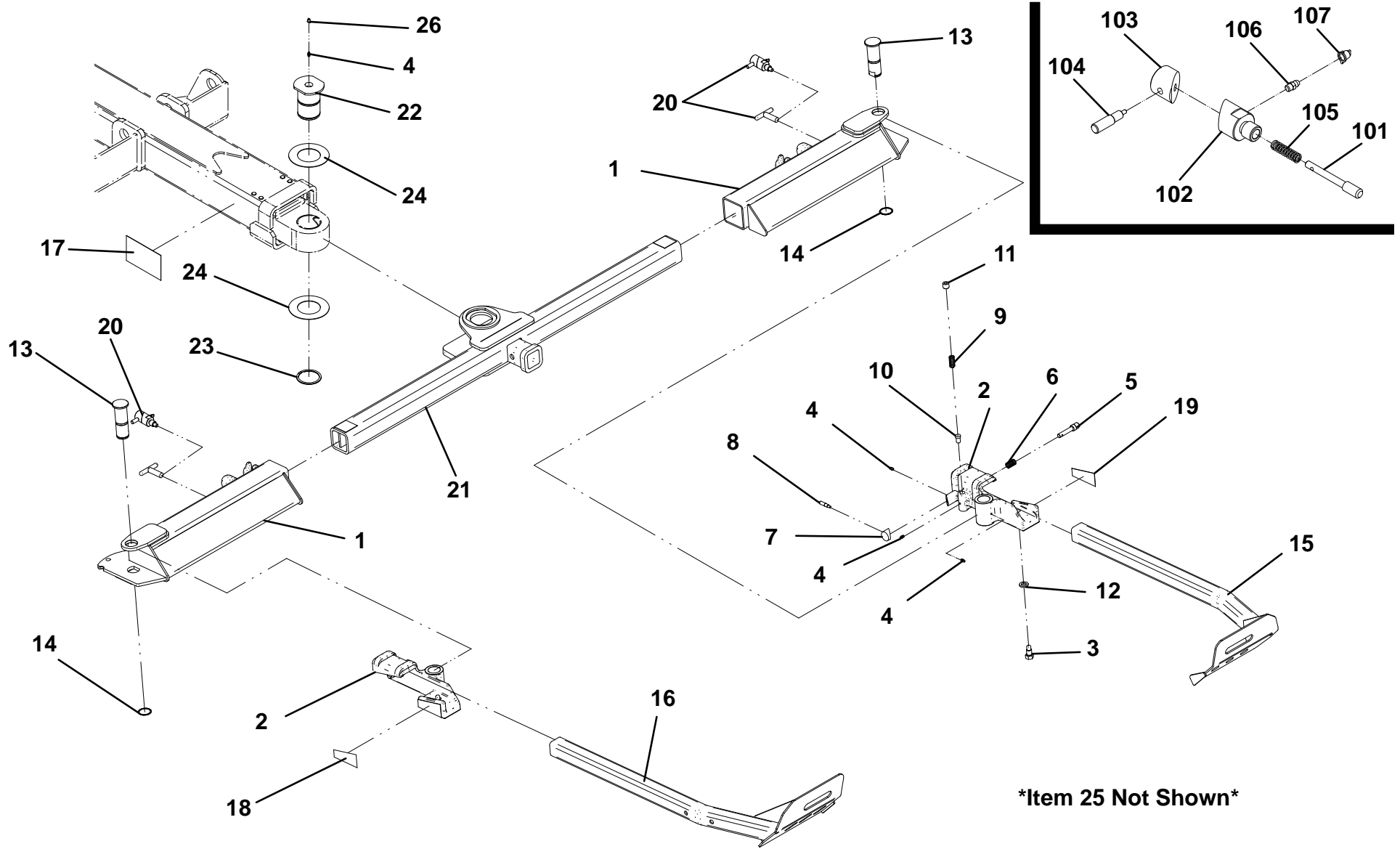


**MANUAL T37 PIVOTING WHEEL LIFT GRID W/ REESE RECIEVER**

ITEM	PART NO.	DESCRIPTION	QTY
1	3484000051	Grid Weld LH	1
2	4259000002	Grid Pivot LH	1
3	4691000354	Pin	1
4	7440030000	Grease Fitting	4
5	4691000186	Pin	1
6	7843000006	Spring	1
7	4254000005	Cap, 1.25" x 1.22"	1
8	4763000184	Rod	1
9	7843000016	Spring	1
10	4691000183	Pin	1
11	7786000006	Screw, 0.75"-10NC x 0.63"	1
12	7950200000	Lockwasher, 0.63" ID	1
13	4691000357	Pin	1
14	7754000037	Retaining Ring	1
1	3484000050	Grid Weld RH	1
2	4259000001	Grid Pivot RH	1
15	3020000030	L-Arm Weld RH	1
16	3020000029	L-Arm Weld LH	1
17	7330000419	Decal	2
18	7330000420	Decal LH	1
19	7330000432	Decal RH	1
20	3551000036	T-Handle Weld	2
	1001153950	Cam-Lock	2
21	3913000098	Tube Weld Pivot - Reese - IRL	1
	3913000099	Tube Weld Pivot - Reese - ZOD	1
22	4691000278	Pin	1
23	7754000024	Retaining Ring	1
24	4949000047	Washer, 5.00" OD x 2.84" ID	2
25	7330000609	Decal	1
26	7253000002	Grease Fitting Cap	1
101	1001153944	Pin	1
102	1001153945	Tube	1
103	1001153946	Cap	1
104	1001153947	Handle	1
105	1001153971	Spring	1
106	7440030000	Grease Fitting	1
107	7253000002	Grease Fitting Cap	1



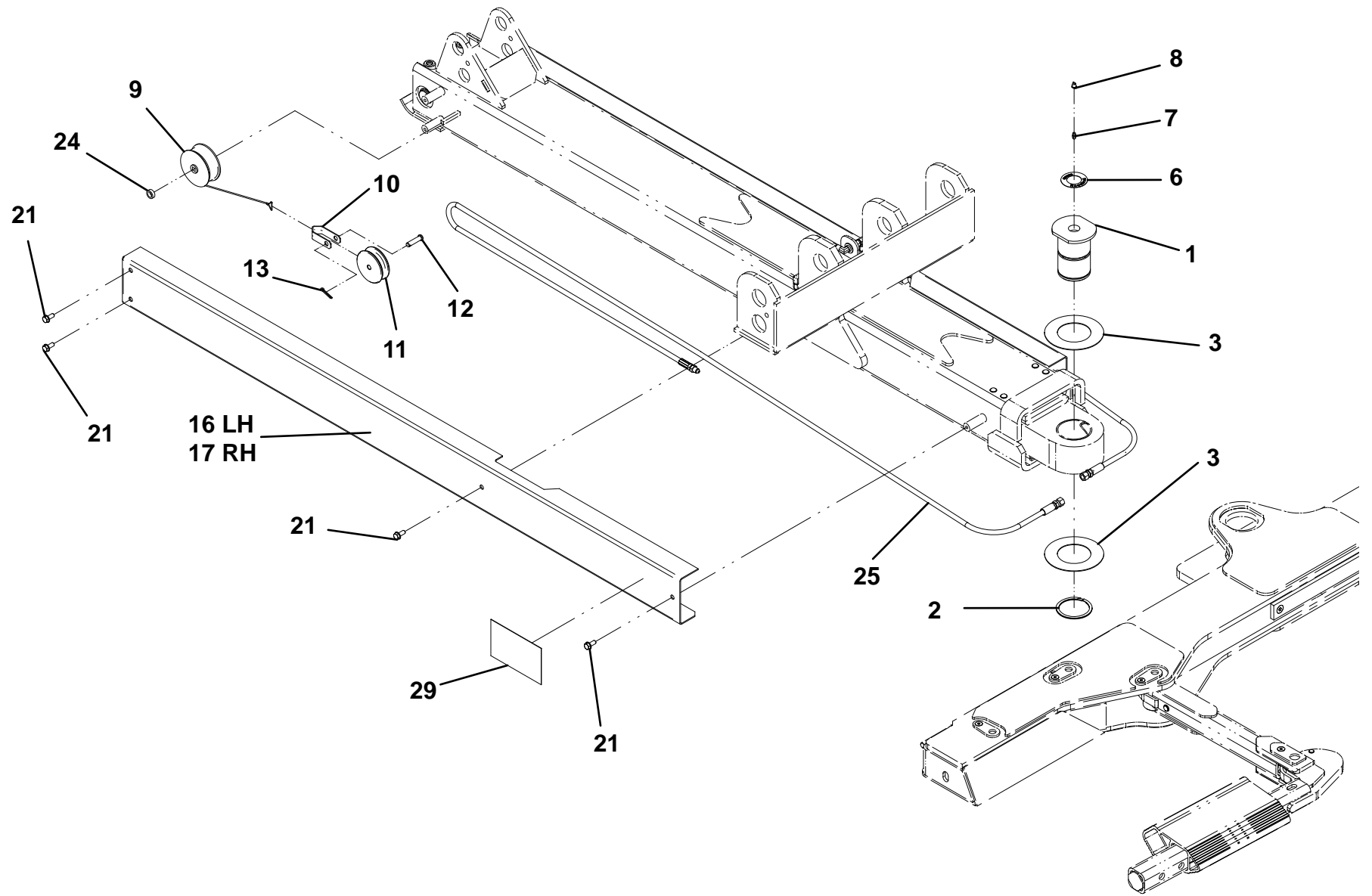
# MANUAL T37 PIVOTING WHEEL LIFT GRID W/ REESE RECIEVER

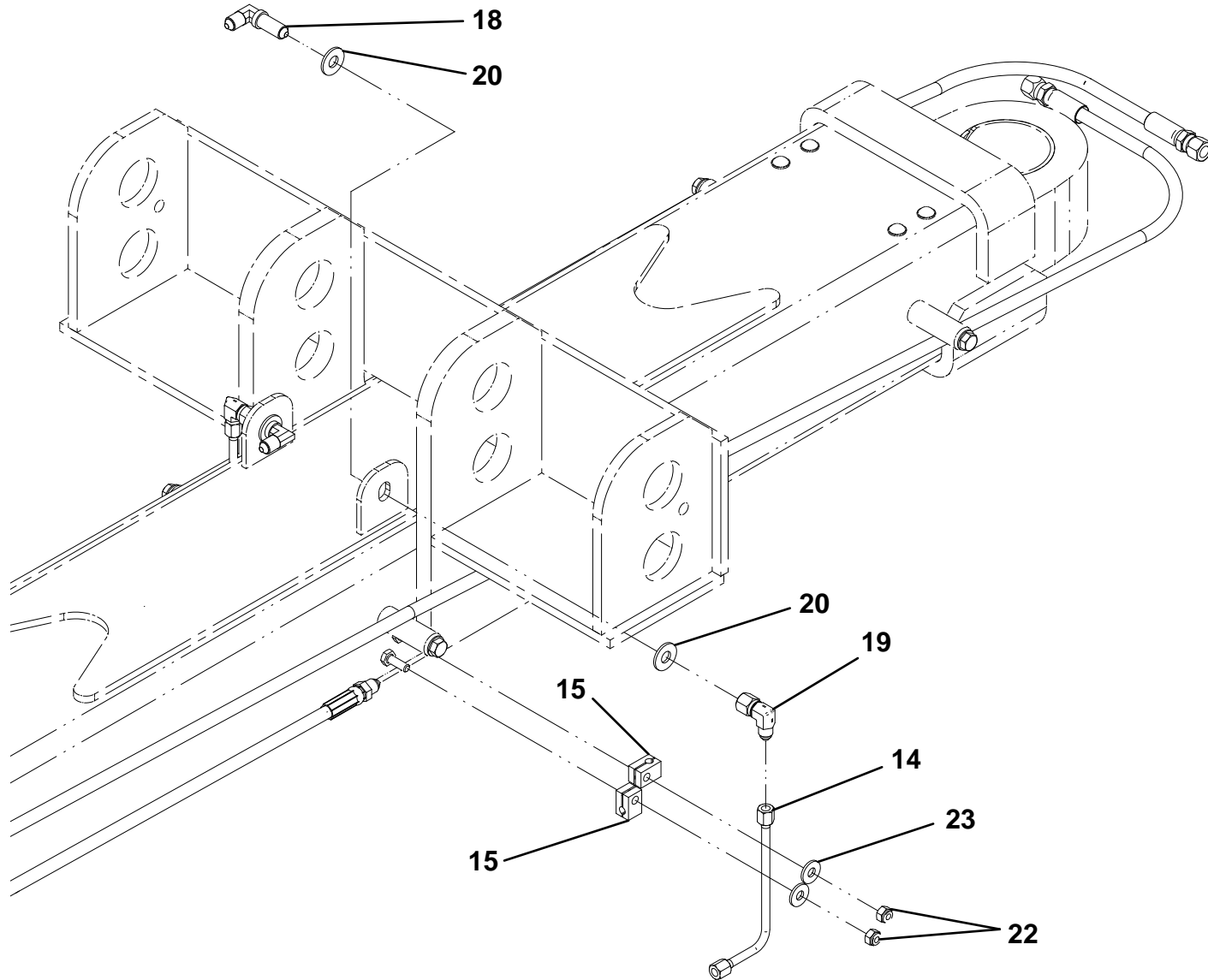


**HYDRAULIC WHEEL LIFT GRID**

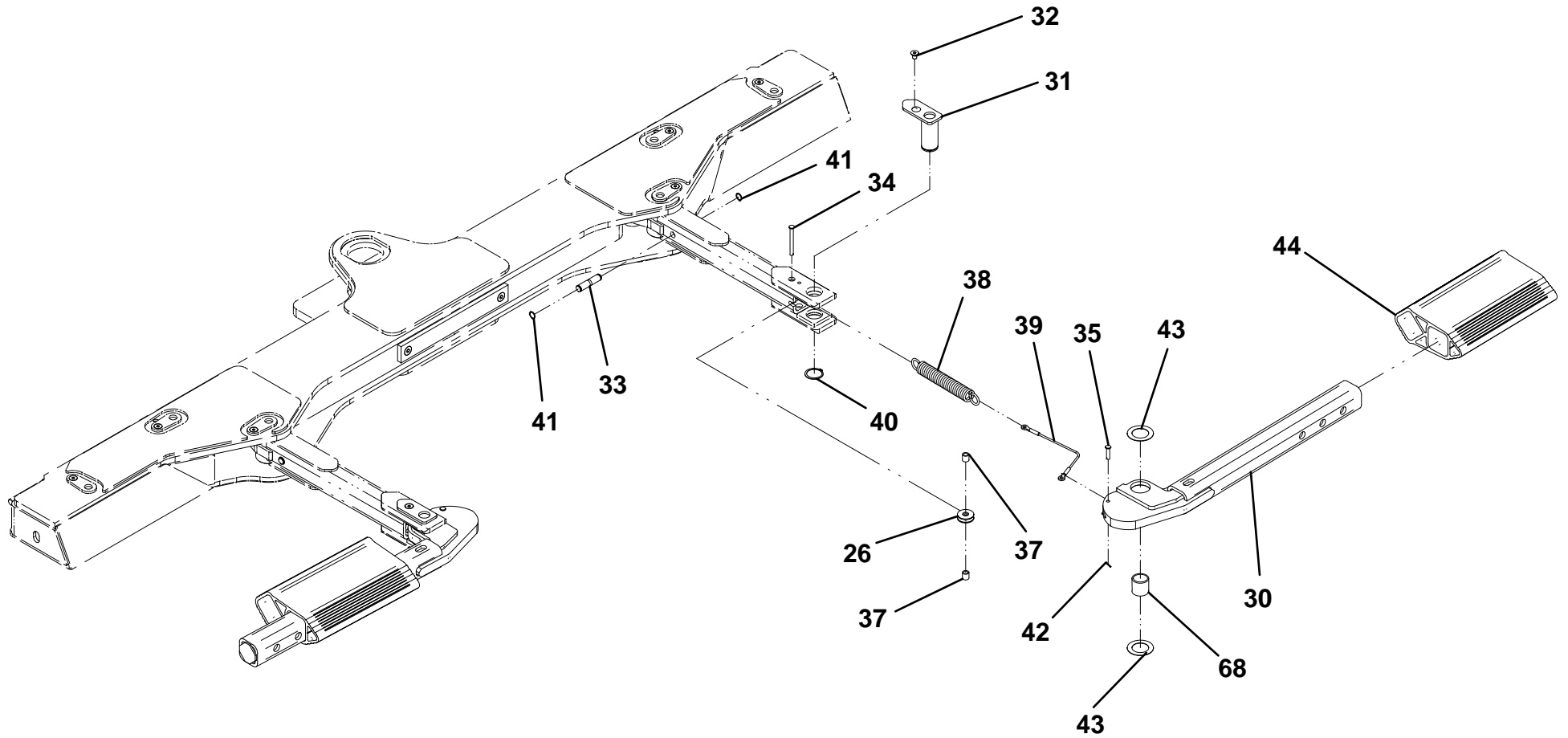
ITEM	PART NO.	DESCRIPTION	QTY	ITEM	PART NO.	DESCRIPTION	QTY
1	4691000198	Pin	1	40	7754000006	Retaining Ring	2
2	7754000024	Retaining Ring	1	41	7754000087	Retaining Ring	4
3	4949000047	Washer, 2.84" ID	2	42	7690021210	Pin	2
4	4679000268	Pad	1	43	4949000072	Washer, 1.27" ID	4
5	7118161026	Capscrew, 0.38"-16NC x 1.25"	2	44	8411080091	L-Arm Spacer	2
6	7330000609	Decal, Grease Required	1	45	3484000074	Grid Weldment	1
7	7440030000	Grease Fitting	1	46	4314000189	Coverplate	2
8	7253000002	Grease Fitting Cap	1	47	4619000013	Manifold	1
9	7732000002	Reel w/ Spring	2	48	7912000184	Tube	4
10	4706003501	Plate	2	49	7320000064	Cylinder	2
11	7719000004	Pulley	2	50	3691000229	Pin	4
12	7691000040	Pin	2	51	7274000039	Clamp Cover	2
13	7691000042	Cotter Pin	2	52	3592000052	Link Weldment	2
14	7912000237	Tube	2	53	3592000051	Link Weldment	2
15	7274000073	Hose Clamp 0.25"	4	54	4706003497	Plate	2
16	4314000117	Cover Plate, LH	1	55	3020000115	Arm Weldment - LH	1
17	4314000118	Cover Plate, RH	1	56	3020000111	Arm Weldment - RH	1
18	7445040431	Elbow	2	57	3691000230	Pin	2
19	7445040472	Elbow	2	58	7445040443	Adapter	4
20	7950150161	Flatwasher, 0.31" ID	4	59	7274000086	Clamp Half	4
21	7790151253	Screw, 0.31"-18NC x 0.75"	8	60	7754000022	Retaining Ring	4
22	7660142604	Locknut, 0.25"-20NC	4	61	7785140400	Screw, 0.25"-20NC x 0.25"	2
23	7950140153	Flatwasher, 0.25" ID	4	62	7114140518	Capscrew, 0.25"-20NC x 0.62"	4
24	4831000109	Spacer	2	63	7115151250	Capscrew, 0.31"-18NC x 1.50"	4
25	4570000234	Hose	2	64	7950150000	Washer, 0.31" ID	2
26	7445040445	Elbow	6	65	1001137904	Bolt, 0.31"-18NC x 1.25"	6
27	4570000211	Hose	2	66	7660152601	Locknut, 0.31"-18NC	6
28	4570000212	Hose	2	67	7950140143	Flatwasher, 0.25" ID	4
29	7330000419	Decal	2	68	7082000027	Bearing	6
30	3020000112	Arm Weldment	2	69	7082000026	Bearing	10
31	3691000222	Pin	2				
32	7115150423	Capscrew, 0.31"-18NC x 0.50"	2				
33	4691000527	Pin	2				
34	7690144005	Pin	2				
35	7690141600	Pin	2				
36	7719000005	Pulley	2				
37	4831000112	Spacer	4				
38	7843000043	Spring	2				
39	7248000115	Cable	2				

# HYDRAULIC WHEEL LIFT GRID

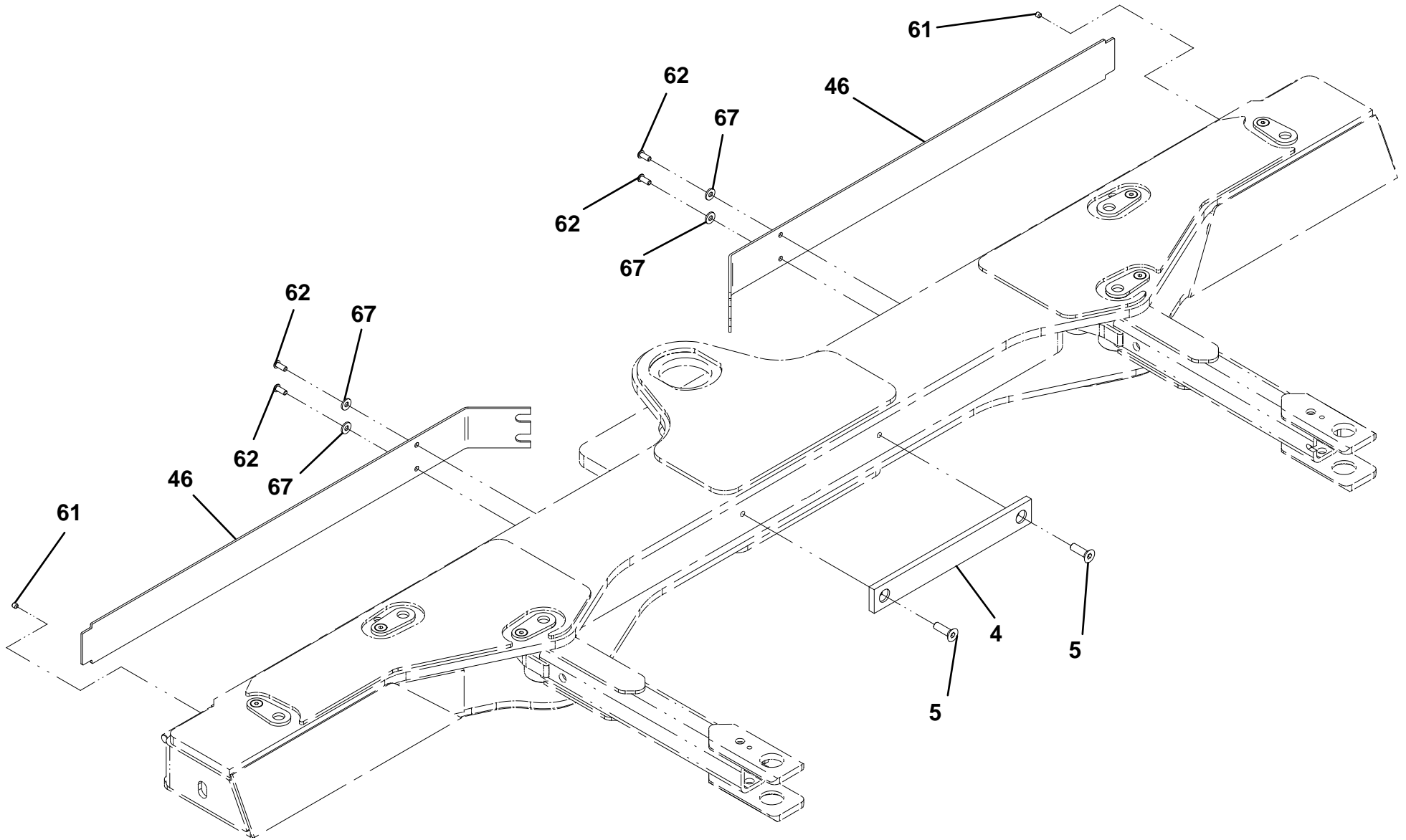


**HYDRAULIC WHEEL LIFT GRID**

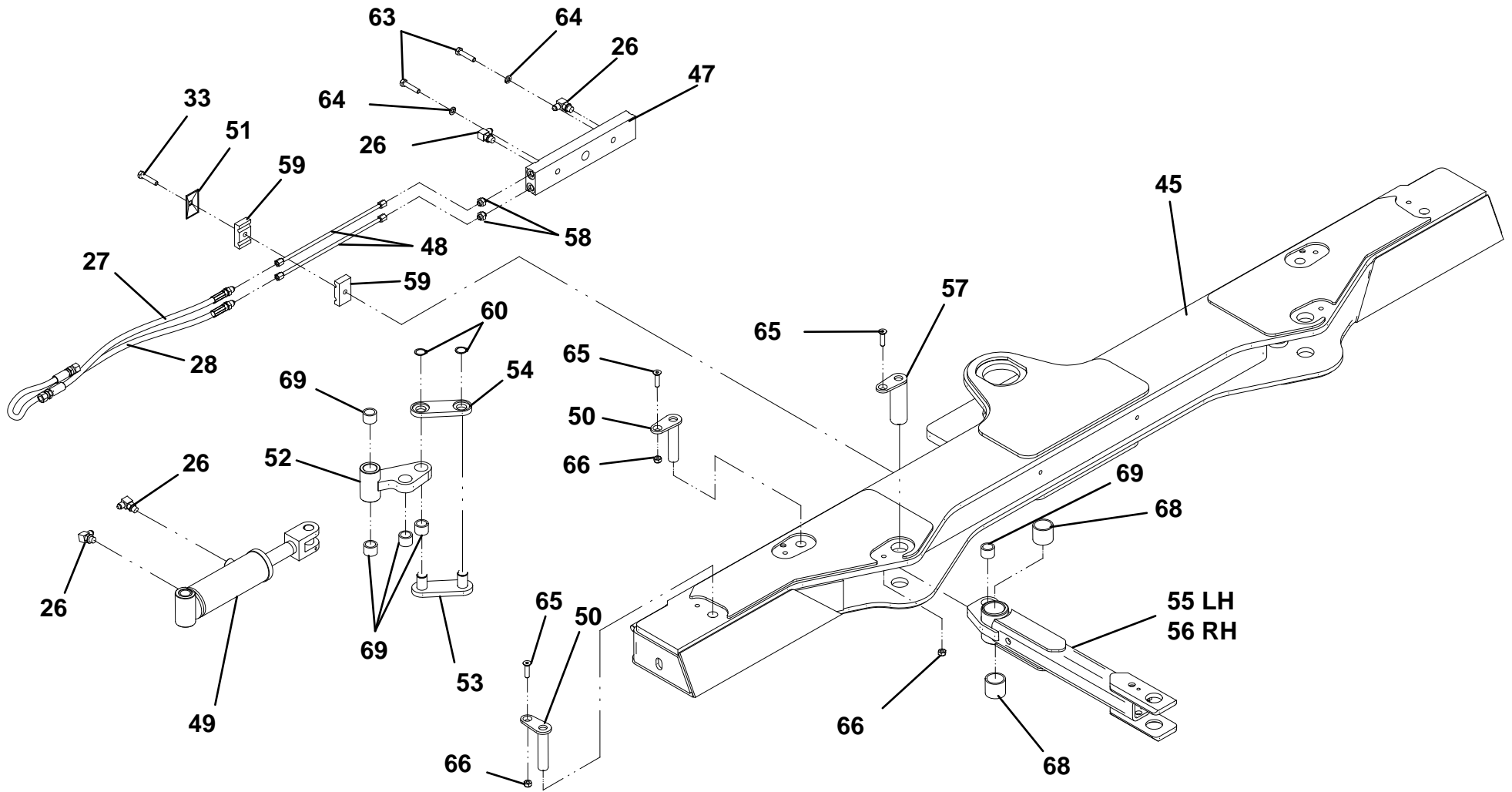
# HYDRAULIC WHEEL LIFT GRID



**HYDRAULIC WHEEL LIFT GRID**



# HYDRAULIC WHEEL LIFT GRID



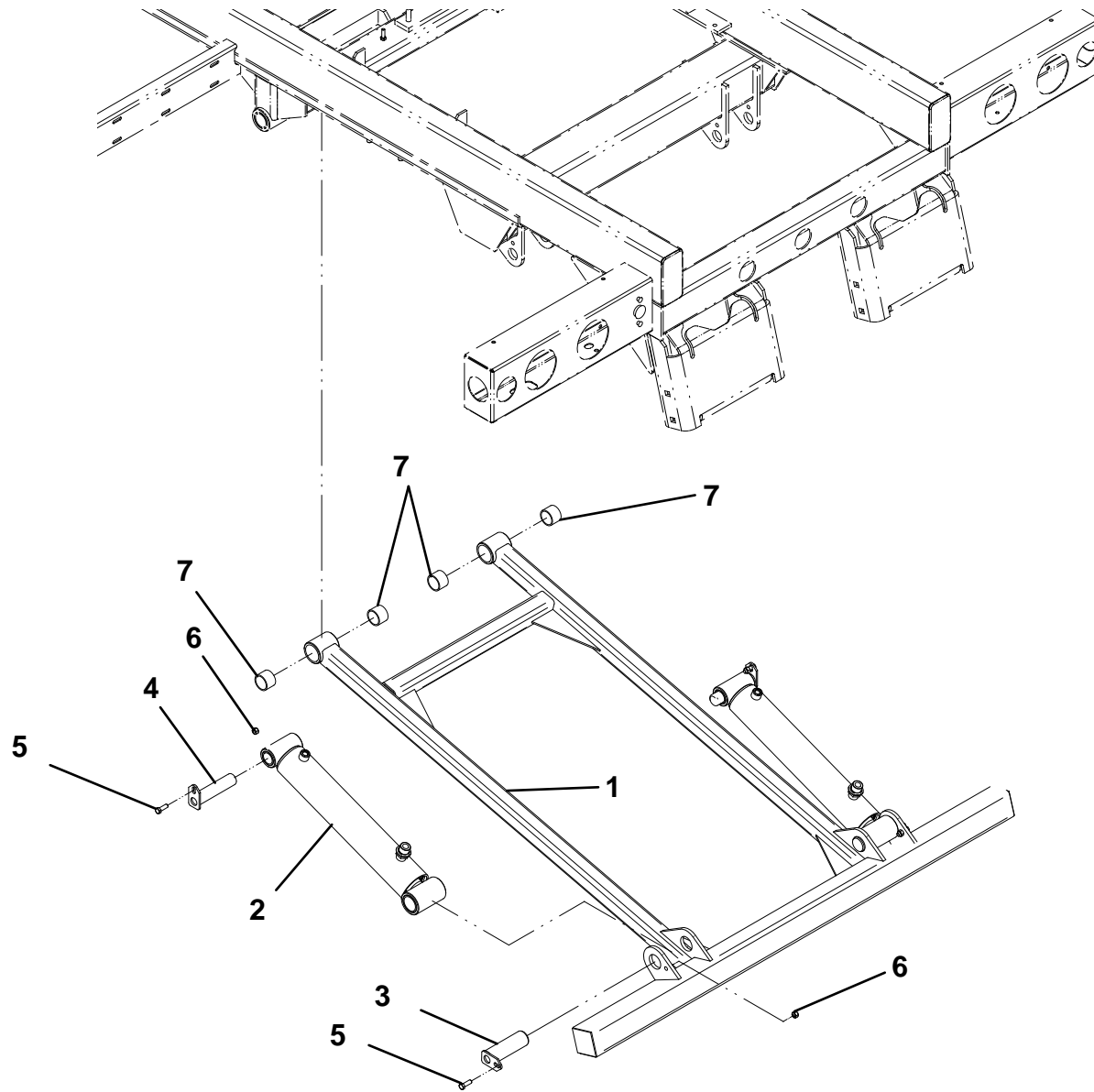
**HYDRAULIC REAR DOCK STABILIZER**

ITEM	PART NO.	DESCRIPTION	QTY
1	3849000021	Stabilizer Rear Dock Weld	1
2	3320000114	Cylinder	2
3	3691000165	Pin	2
4	3691000166	Pin	2
5	7115160950	Bolt, 0.38"-16NC x 1.13"	4
6	7660162601	Locknut, 0.38"-16NC	4
7	7082000017	Bearing	4

\* included in Stabilizer Weld, P/N 3849000021



# HYDRAULIC REAR DOCK STABILIZER



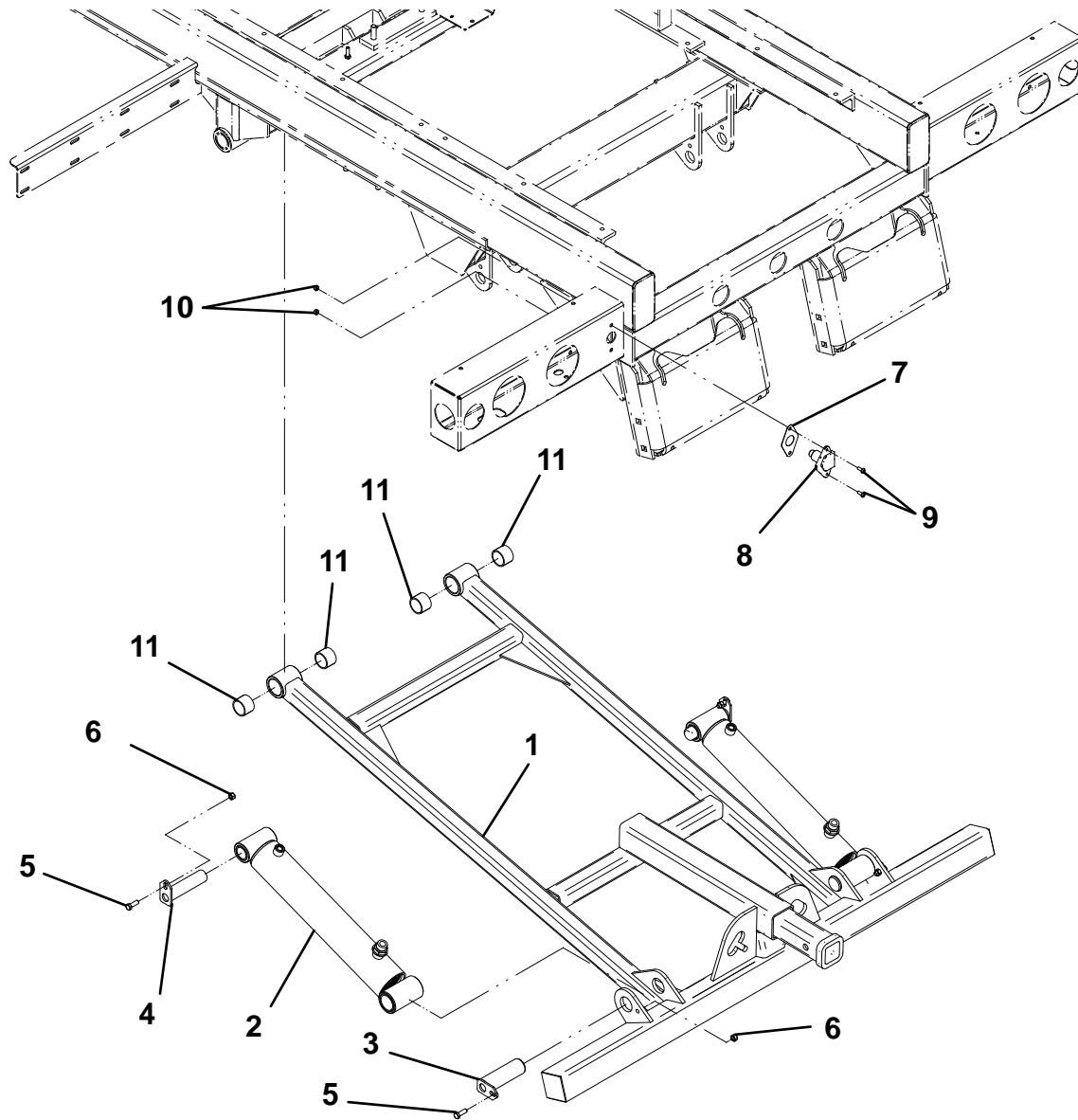
**HYDRAULIC REAR DOCK STABILIZER W/ REESE HITCH RECEIVER**

ITEM	PART NO.	DESCRIPTION	QTY
1	3849000023	Stabilizer Weld w/ 2.00" Reese	1
	3849000041	Stabilizer Weld w/ 2.50" Reese	
2	3320000114	Cylinder	2
3	3691000165	Pin	2
4	3691000166	Pin	2
5	7115160950	Bolt, 0.38"-16NC x 1.13"	4
6	7660162601	Locknut, 0.38"-16NC	4
7	7796000048	Gasket	1
8	7291000010	Connector	1
9	7114140528	Screw, 0.25"-20NC x 0.63"	2
10	7660142601	Locknut, 0.25"-20NC	2
11	7082000017	Bearing	4

\* included in Stabilizer Weld, P/N 3849000023

^ included in Stabilizer Weld, P/N 3849000041

# HYDRAULIC REAR DOCK STABILIZER W/ REESE HITCH RECEIVER

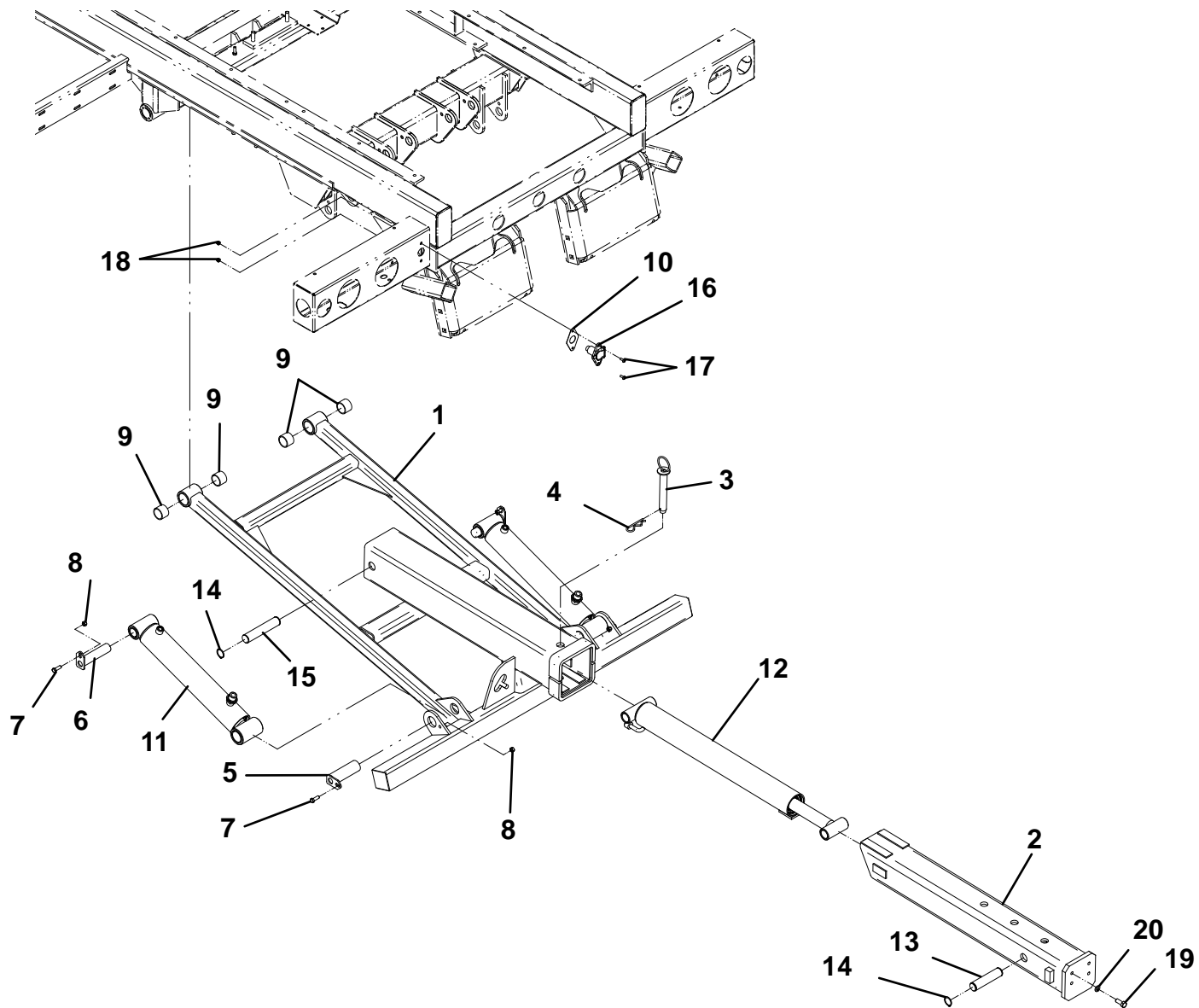


**HYDRAULIC REAR DOCK STABILIZER W/ HYD EXT PINTLE HITCH MTG PLATE**

ITEM	PART NO.	DESCRIPTION	QTY
1	3849000022	Stabilizer Weld w/ Pintle	1
2	1001127297	Boom Weld	1
3	3691000064	Pin	1
4	7691000001	Pin	1
5	3691000165	Pin	2
6	3691000166	Pin	2
7	7115160950	Bolt, 0.38"-16NC x 1.13"	4
8	7660162601	Locknut, 0.38"-16NC	4
9	7082000017	Bearing	4
10	7796000048	Gasket	1
11	3320000114	Cylinder	2
12	3320000117	Cylinder	1
13	4691000429	Pin	1
14	7754000006	Retaining Ring	4
15	4691000430	Pin	1
16	7291000010	Receptacle	1
17	7114140528	Screw, 0.25"-20NC x 0.63"	2
18	7660142601	Locknut, 0.25"-20NC	2
19	691810	Screw, 0.5"-20 x 1.25"	4
20	4761800	Washer, 0.50" ID	4

\* included in Stabilizer Weld, P/N 3849000022

# HYDRAULIC REAR DOCK STABILIZER W/ HYD EXT PINTLE HITCH MTG PLATE

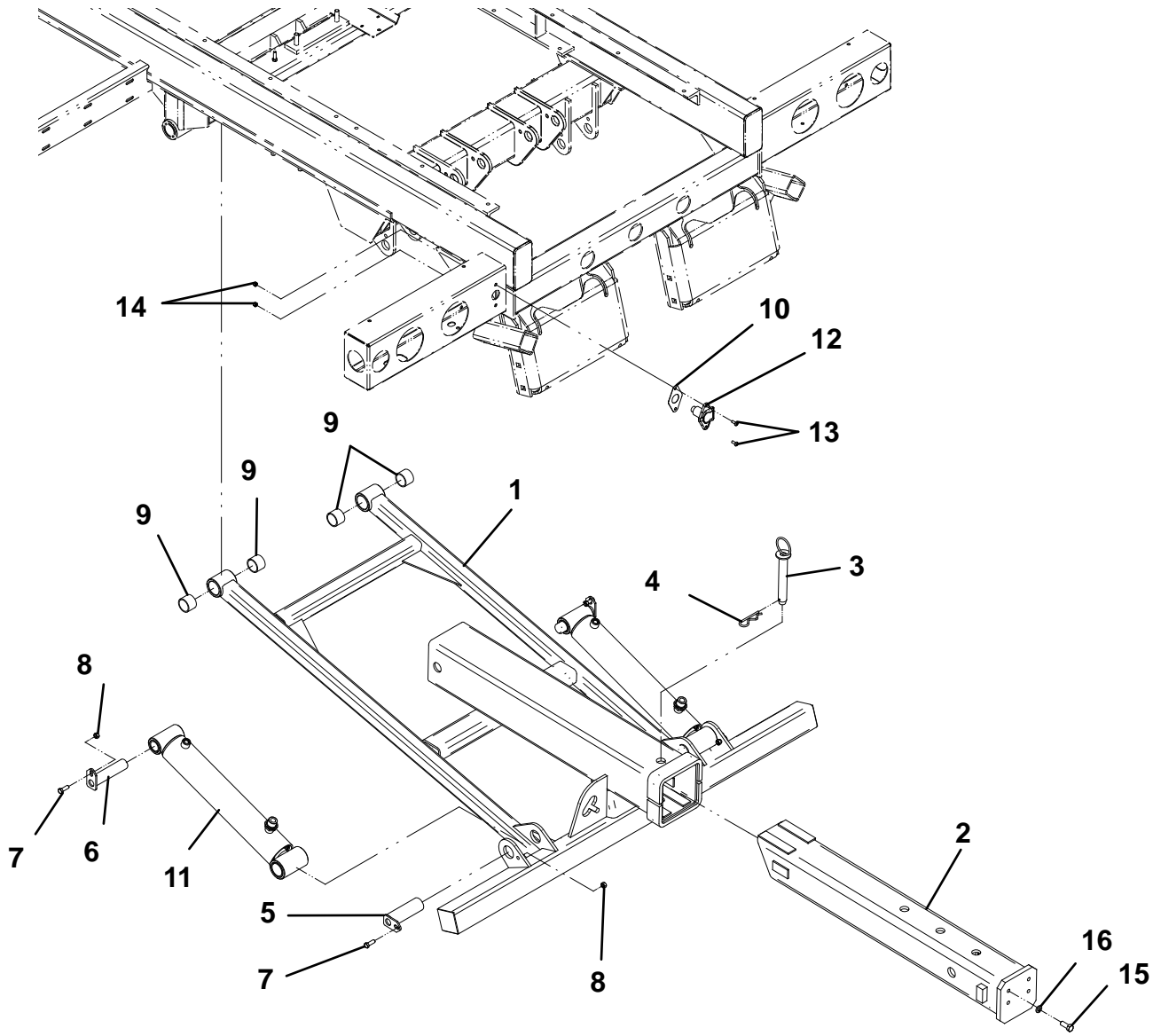


**HYDRAULIC REAR DOCK STABILIZER W/ MAN EXT PINTLE HITCH MTG PLATE**

ITEM	PART NO.	DESCRIPTION	QTY
1	3849000022	Stabilizer Weld w/ Pintle	1
2	1001127297	Boom Weld	1
3	3691000064	Pin	1
4	7691000001	Pin	1
5	3691000165	Pin	2
6	3691000166	Pin	2
7	7115160950	Bolt, 0.38"-16NC x 1.13"	4
8	7660162601	Locknut, 0.38"-16NC	4
9	7082000017	Bearing	1
10	7796000048	Gasket	1
11	3320000114	Cylinder	2
12	7291000010	Receptacle	1
13	7114140528	Screw, 0.25"-20NC x 0.63"	2
14	7660142601	Locknut, 0.25"-20NC	2
15	691810	Screw, 0.5"-20 x 1.25"	4
16	4761800	Washer, 0.50" ID	4

\* included in Stabilizer Weld, P/N 3849000022

# HYDRAULIC REAR DOCK STABILIZER W/ MAN EXT PINTLE HITCH MTG PLATE



**BALL HITCH MOUNTING PLATE - IRL**

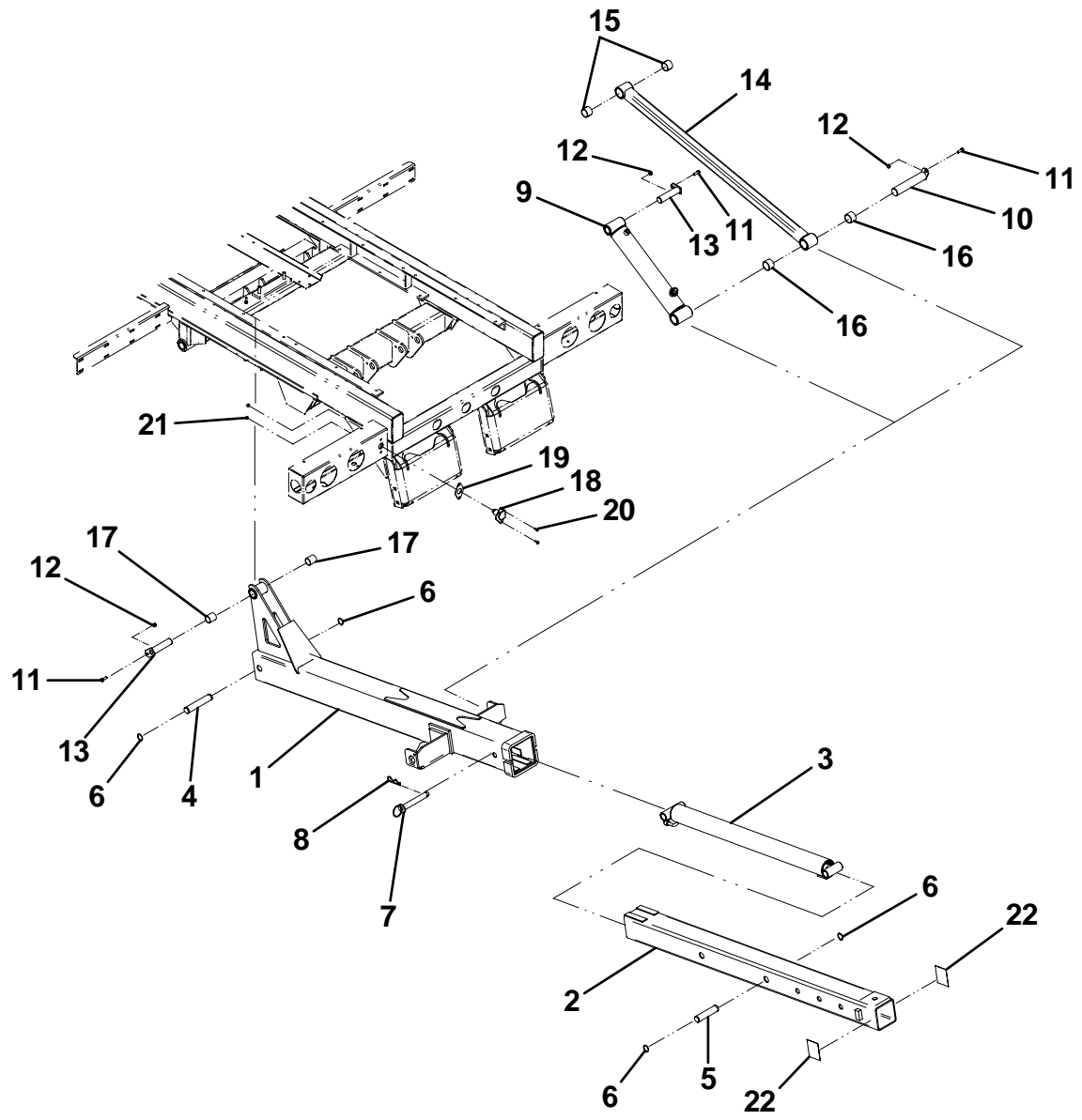
ITEM	PART NO.	DESCRIPTION	QTY
1	3170000275	Outer Boom Weld	1
2	3911000062	Inner Boom Weld	1
3	3320000116	Cylinder Assembly	1
4	4691000430	Pin	1
5	4691000429	Pin	1
6	7754000006	Retaining Ring	4
7	3691000064	Pin Weld	1
8	7691000001	Hair Pin	1
9	3320000114	Cylinder Assembly	2
10	3691000164	Pin Weld	2
11	7115160950	Capscrew, 0.38"-16NC x 1.12"	5
12	7660162601	Locknut, 0.38"-16NC	5
13	3691000166	Pin Weld	3
14	3020000097	Arm Weld	2
15	7082000017*	Bushing	4
16	7082000018*	Bushing	4
17	7082000016+	Bushing	2
18	7291000010	4-Way Receptacle	1
19	7796000048	Gasket	1
20	7114140528	Screw, 0.25"-20NC x 0.63"	2
21	7660142601	Locknut, 0.25"-20NC	2
22	4330000002	Reflective Tape	2

\* included in Arm Weld, P/N 3020000097

+ included in Outer Boom Weld, P/N 3170000275



# BALL HITCH MOUNTING PLATE - IRL

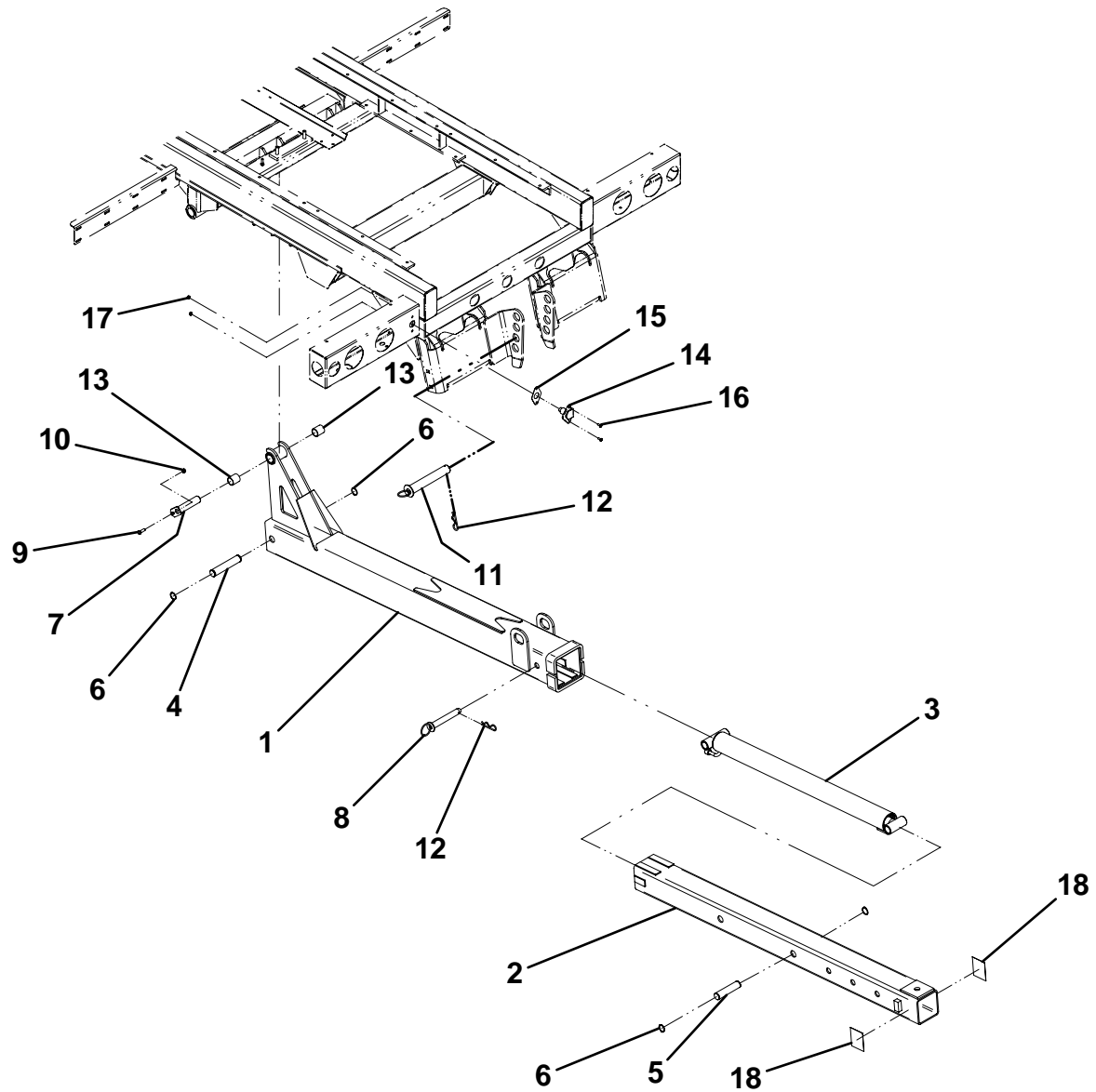


**BALL HITCH MOUNTING PLATE - HYDRAULIC EXTEND**

ITEM	PART NO.	DESCRIPTION	QTY
1	3170000276	Outer Boom Weld	1
2	3911000062	Inner Boom Weld	1
3	3320000116	Cylinder Assembly	1
4	4691000430	Pin	1
5	4691000429	Pin	1
6	7754000006	Retaining Ring	4
7	3691000166	Pin Weld	1
8	3691000064	Pin Weld	1
9	7115160950	Capscrew, 0.38"-16NC x 1.12"	1
10	7660162601	Locknut, 0.38"-16NC	1
11	3691000097	Pin Weld	1
12	7691000001	Hair Pin	2
13	7082000016*	Bushing	2
14	7291000010	4-Way Receptacle	1
15	7796000048	Gasket	1
16	7114140528	Screw, 0.25"-20NC x 0.63"	2
17	7660142601	Locknut, 0.25"-20NC	2
18	4330000002	Reflective Tape	2

\* included in Outer Boom Weld, P/N 3170000276

# BALL HITCH MOUNTING PLATE - HYDRAULIC EXTEND

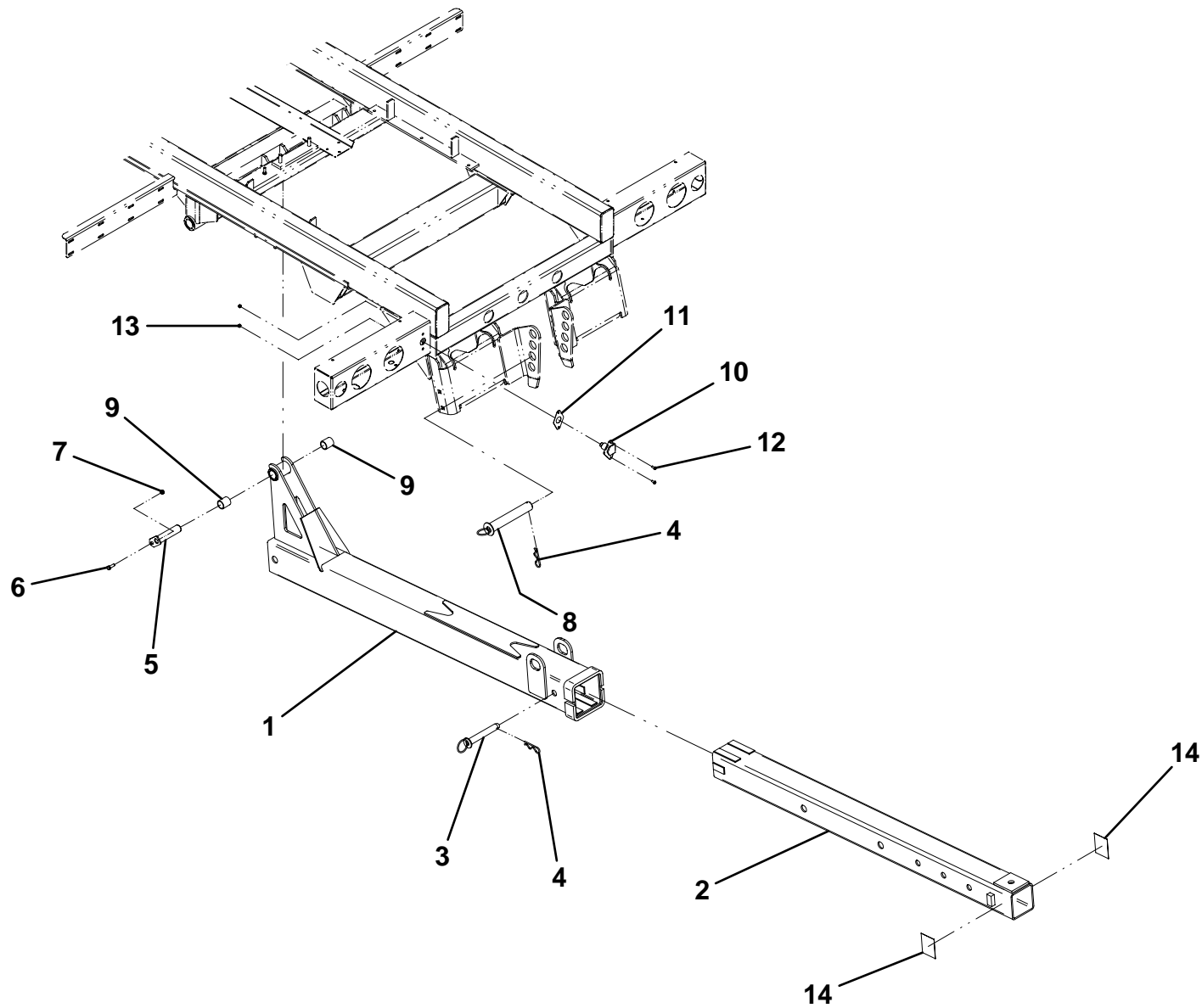


**BALL HITCH MOUNTING PLATE - MANUAL EXTEND**

ITEM	PART NO.	DESCRIPTION	QTY
1	3170000276	Outer Boom Weld	1
2	3911000062	Inner Boom Weld	1
3	3691000064	Pin Weld	1
4	7691000001	Hair Pin	2
5	3691000166	Pin Weld	1
6	7115160950	Capscrew, 0.38"-16NC x 1.12"	1
7	7660162601	Locknut, 0.38"-16NC	1
8	3691000097	Pin Weld	1
9	7082000016*	Bushing	2
10	7291000010	4-Way Receptacle	1
11	7796000048	Gasket	1
12	7114140528	Screw, 0.25"-20NC x 0.63"	2
13	7660142601	Locknut, 0.25"-20NC	2
14	4330000002	Reflective Tape	2

\* included in Outer Boom Weld, P/N 3170000276

# BALL HITCH MOUNTING PLATE - MANUAL EXTEND



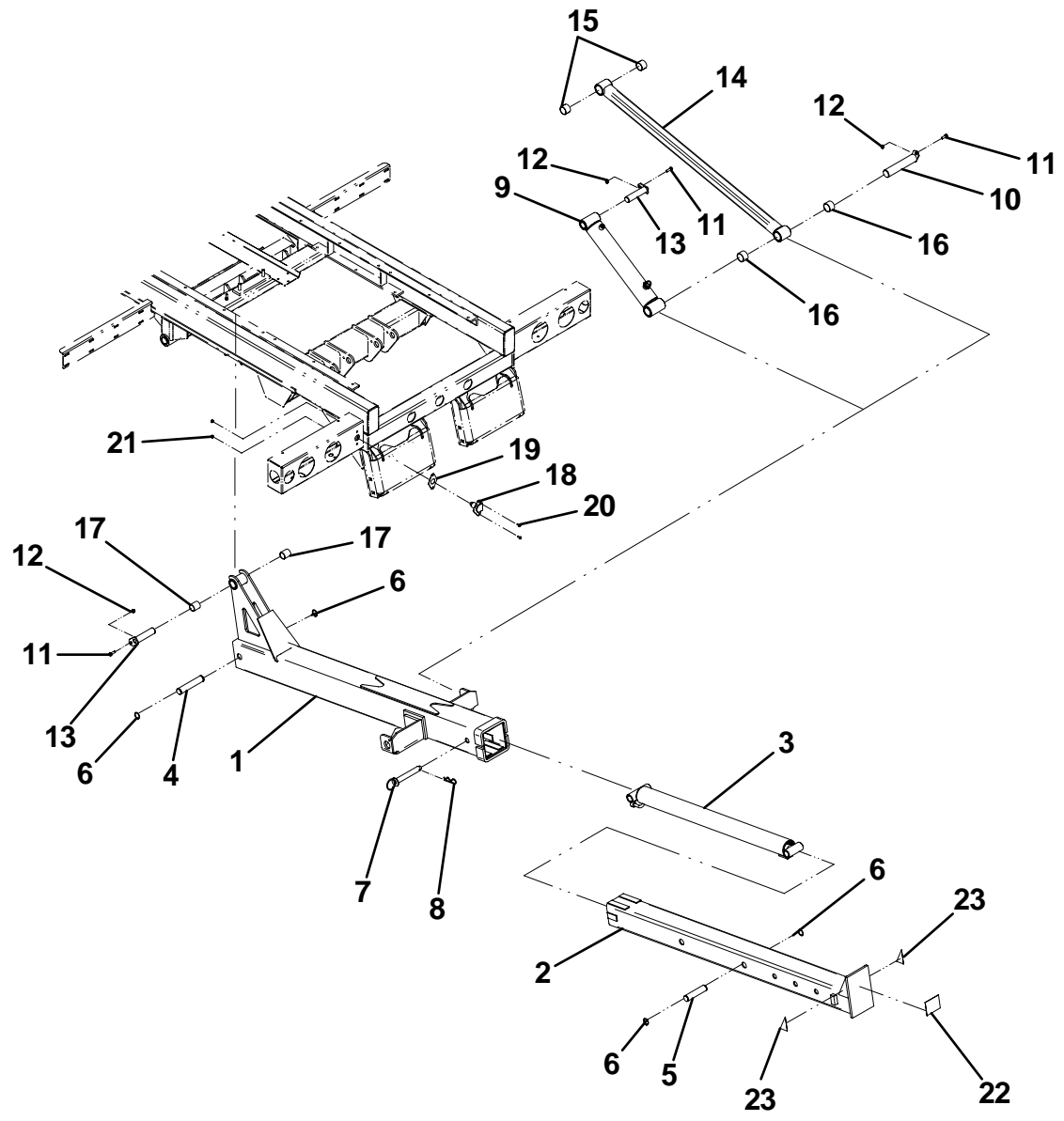
**PINTLE HITCH MOUNTING PLATE - IRL**

ITEM	PART NO.	DESCRIPTION	QTY
1	3170000275	Outer Boom Weld	1
2	3170000208	Inner Boom Weld	1
3	3320000116	Cylinder Assembly	1
4	4691000430	Pin	1
5	4691000429	Pin	1
6	7754000006	Retaining Ring	4
7	3691000064	Pin Weld	1
8	7691000001	Hair Pin	1
9	3320000114	Cylinder Assembly	2
10	3691000164	Pin Weld	2
11	7115160950	Capscrew, 0.38"-16NC x 1.12	5
12	7660162601	Locknut, 0.38"-16NC	5
13	3691000166	Pin Weld	3
14	3020000097	Arm Weld	2
15	7082000017*	Bushing	4
16	7082000018*	Bushing	4
17	7082000016+	Bushing	2
18	7291000010	4-Way Receptacle	1
19	7796000048	Gasket	1
20	7114140528	Screw, 0.25"-20NC x 0.63"	2
21	7660142601	Locknut, 0.25"-20NC	2
22	4330000002	Reflective Tape	1
23	4330000645	Reflective Tape, LH	1
24	4330000646	Reflective Tape, RH	1

\* included in Arm Weld, P/N 3020000097

+ included in Outer Boom Weld, P/N 3170000275

# PINTLE HITCH MOUNTING PLATE - IRL



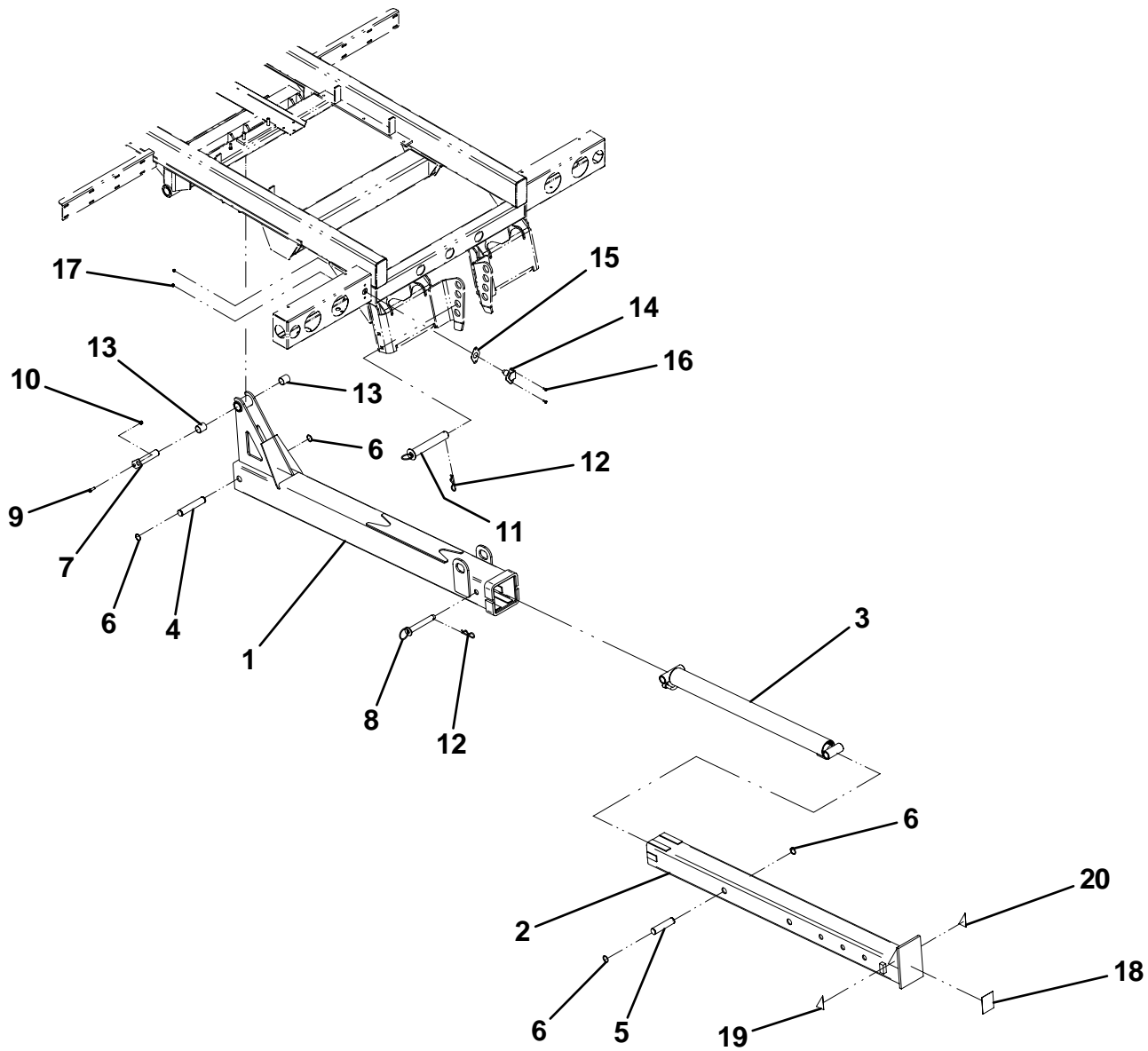
**PINTLE HITCH MOUNTING PLATE - HYDRAULIC EXTEND**

ITEM	PART NO.	DESCRIPTION	QTY
1	3170000276	Outer Boom Weld	1
2	3170000208	Inner Boom Weld	1
3	3320000116	Cylinder Assembly	1
4	4691000430	Pin	1
5	4691000429	Pin	1
6	7754000006	Retaining Ring	4
7	3691000166	Pin Weld	1
8	3691000064	Pin Weld	1
9	7115160950	Capscrew, 0.38"-16NC x 1.12"	1
10	7660162601	Locknut, 0.38"-16NC	1
11	3691000097	Pin Weld	1
12	7691000001	Hair Pin	2
13	7082000016*	Bushing	2
14	7291000010	4-Way Receptacle	1
15	7796000048	Gasket	1
16	7114140528	Screw, 0.25"-20NC x 0.63"	2
17	7660142601	Locknut, 0.25"-20NC	2
18	4330000002	Reflective Tape	1
19	4330000645	Reflective Tape, LH	1
20	4330000646	Reflective Tape, RH	1

\* included in Outer Boom Weld, P/N 3170000276



# PINTLE HITCH MOUNTING PLATE - HYDRAULIC EXTEND

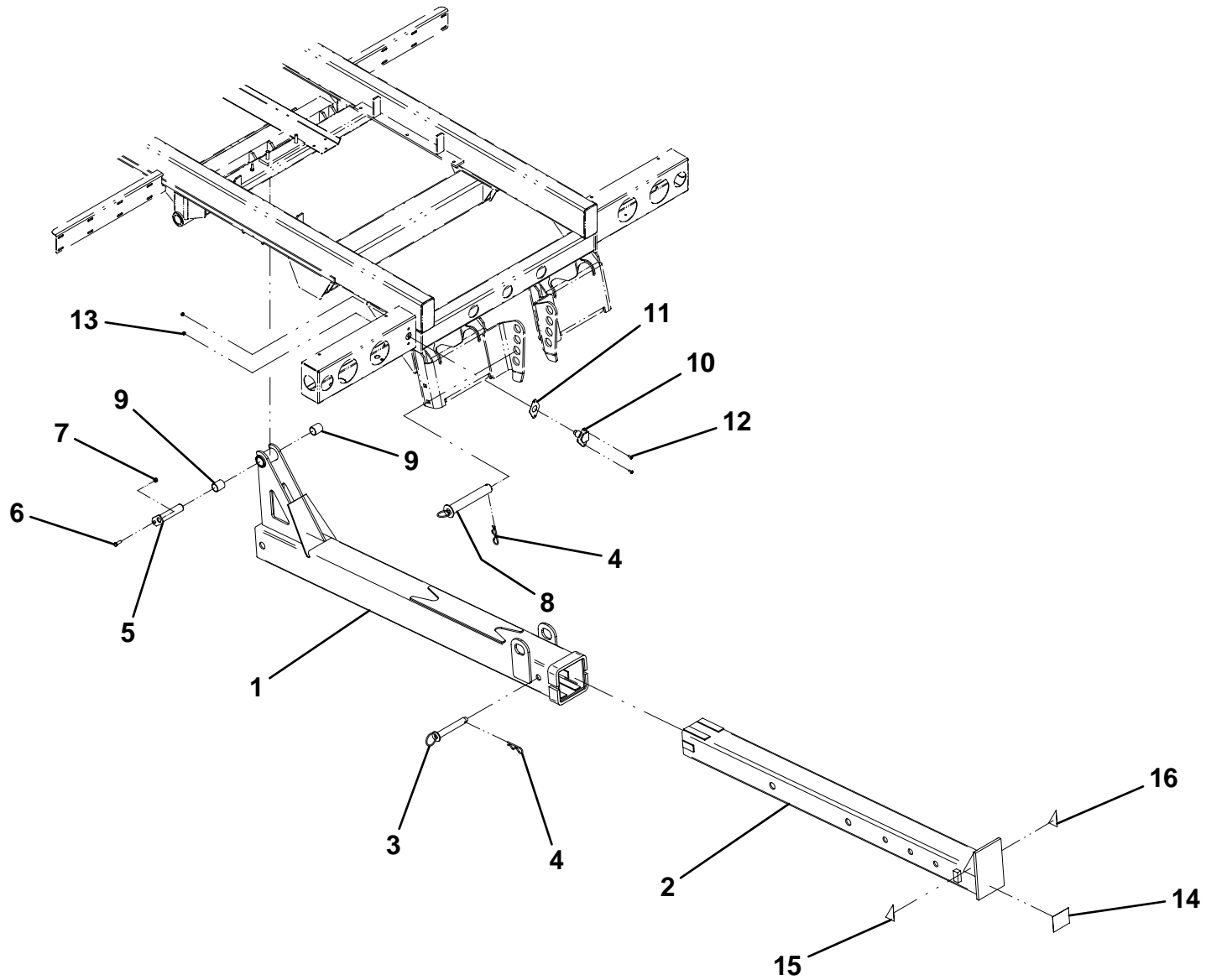


**PINTLE HITCH MOUNTING PLATE - MANUAL EXTEND**

ITEM	PART NO.	DESCRIPTION	QTY
1	3170000276	Outer Boom Weld	1
2	3170000208	Inner Boom Weld	1
3	3691000064	Pin Weld	1
4	7691000001	Hair Pin	2
5	3691000166	Pin Weld	1
6	7115160950	Capscrew, 0.38"-16NC x 1.12"	1
7	7660162601	Locknut, 0.38"-16NC	1
8	3691000097	Pin Weld	1
9	7082000016*	Bushing	2
10	7291000010	4-Way Receptacle	1
11	7796000048	Gasket	1
12	7114140528	Screw, 0.25"-20NC x 0.63"	2
13	7660142601	Locknut, 0.25"-20NC	2
14	4330000002	Reflective Tape	1
15	4330000645	Reflective Tape, LH	1
16	4330000646	Reflective Tape, RH	1

\* included in Outer Boom Weld, P/N 3170000276

# PINTLE HITCH MOUNTING PLATE - MANUAL EXTEND



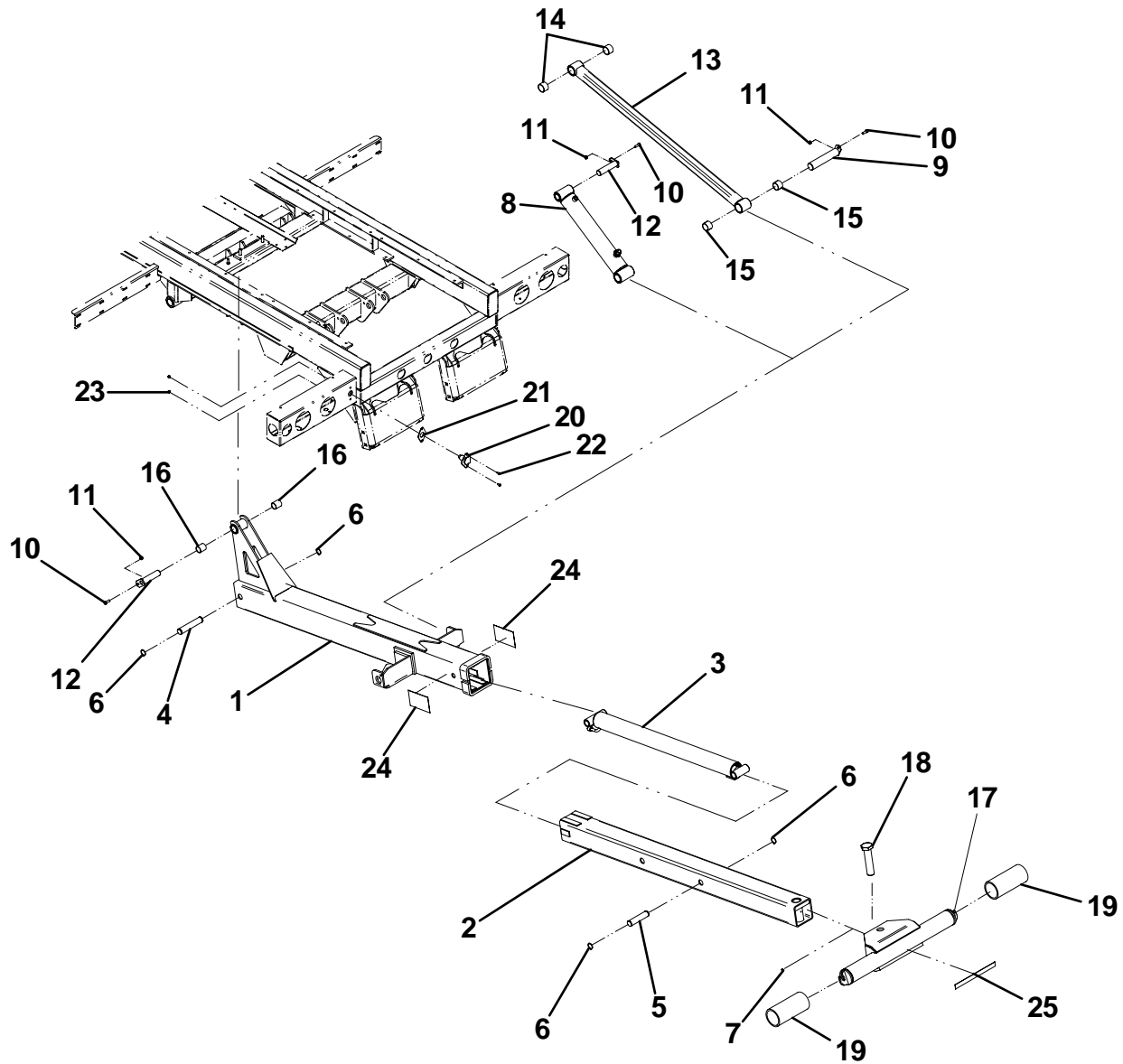
**TOWBAR - IRL**

ITEM	PART NO.	DESCRIPTION	QTY
1	3170000275	Outer Boom Weld	1
2	3170000048	Inner Boom Weld	1
3	3320000116	Cylinder Assembly	1
4	4691000430	Pin	1
5	4691000429	Pin	1
6	7754000006	Retaining Ring	4
7	7440030000	Grease Fitting	1
8	3320000114	Cylinder Assembly	2
9	3691000164	Pin Weld	2
10	7115160950	Capscrew, 0.38"-16NC x 1.12"	5
11	7660162601	Locknut, 0.38"-16NC	5
12	3691000073	Pin Weld	3
13	3020000097	Arm Weld	2
14	7082000017*	Bushing	4
15	7082000018*	Bushing	4
16	7082000016+	Bushing	2
17	3556000023	Tow Hitch Weld	1
18	4120000008	Capscrew, 1.50"-12NF x 6.38"	1
19	7912000011	Tube Rubber	2
20	7291000010	4-Way Receptacle	1
21	7796000048	Gasket	1
22	7114140528	Screw, 0.25"-20NC x 0.63"	2
23	7660142601	Locknut, 0.25"-20NC	2
24	7330000419	Reflective Tape	2
25	4330000001	Reflective Tape	1

\* included in Arm Weld, P/N 3020000097

+ included in Outer Boom Weld, P/N 3170000275

# TOWBAR - IRL

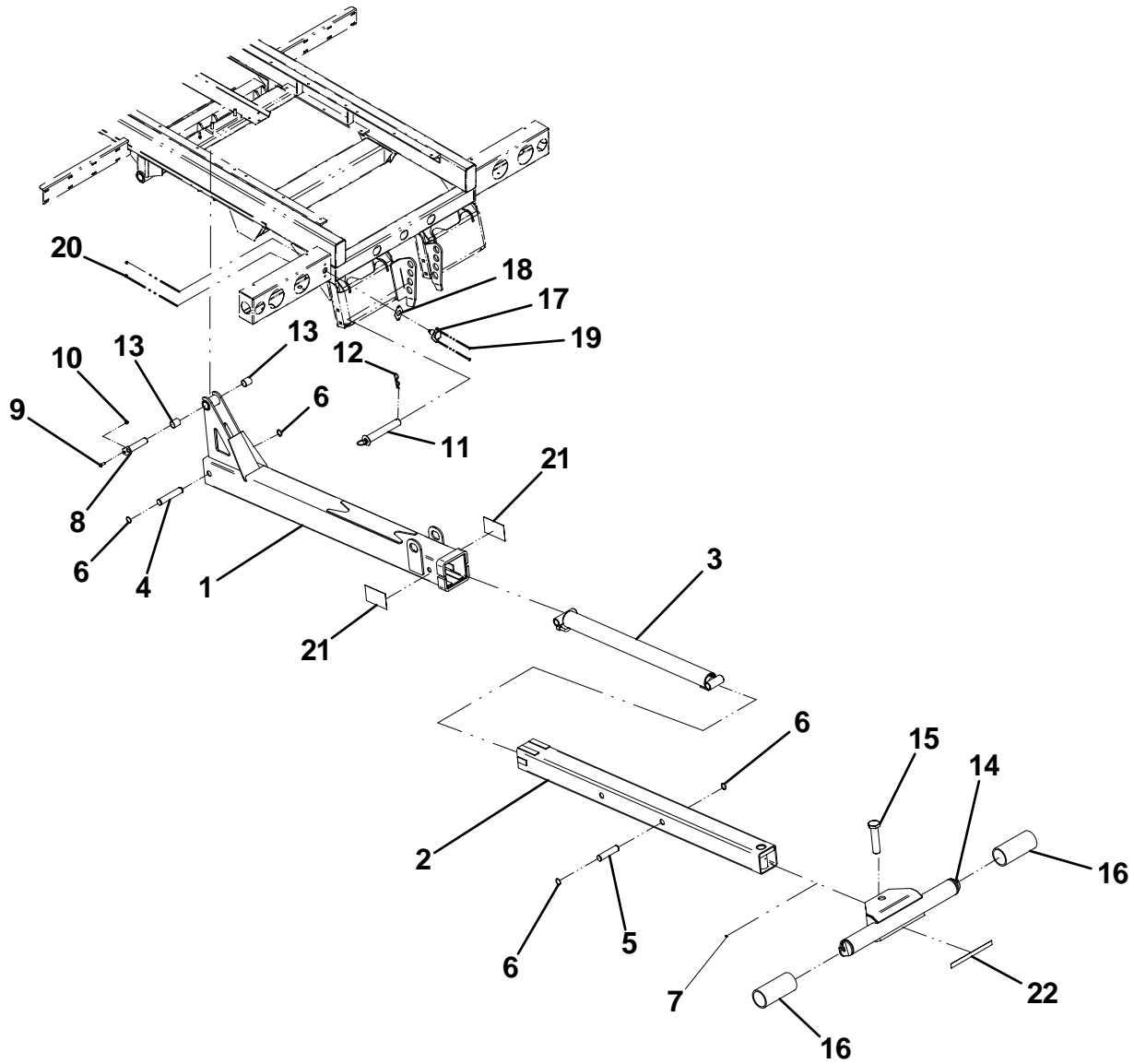


**TOWBAR - HYDRAULIC EXTEND**

ITEM	PART NO.	DESCRIPTION	QTY
1	3170000276	Outer Boom Weld	1
2	3170000048	Inner Boom Weld	1
3	3320000116	Cylinder Assembly	1
4	4691000430	Pin	1
5	4691000429	Pin	1
6	7754000006	Retaining Ring	4
7	7440030000	Grease Fitting	1
8	3691000073	Pin Weld	1
9	7115160950	Capscrew, 0.38"-16NC x 1.12"	1
10	7660162601	Locknut, 0.38"-16NC	1
11	3691000097	Pin Weld	1
12	7691000001	Hair Pin	1
13	7082000016*	Bushing	2
14	3556000023	Tow Hitch Weld	1
15	4120000008	Capscrew, 1.50"-12NF x 6.38"	1
16	7912000011	Tube Rubber	2
17	7291000010	4-Way Receptacle	1
18	7796000048	Gasket	1
19	7114140528	Screw, 0.25"-20NC x 0.63"	2
20	7660142601	Locknut, 0.25"-20NC	2
21	4330000002	Reflective Tape	2
22	4330000001	Reflective Tape	1

\* included in Outer Boom Weld, P/N 3170000276

# TOWBAR - HYDRAULIC EXTEND



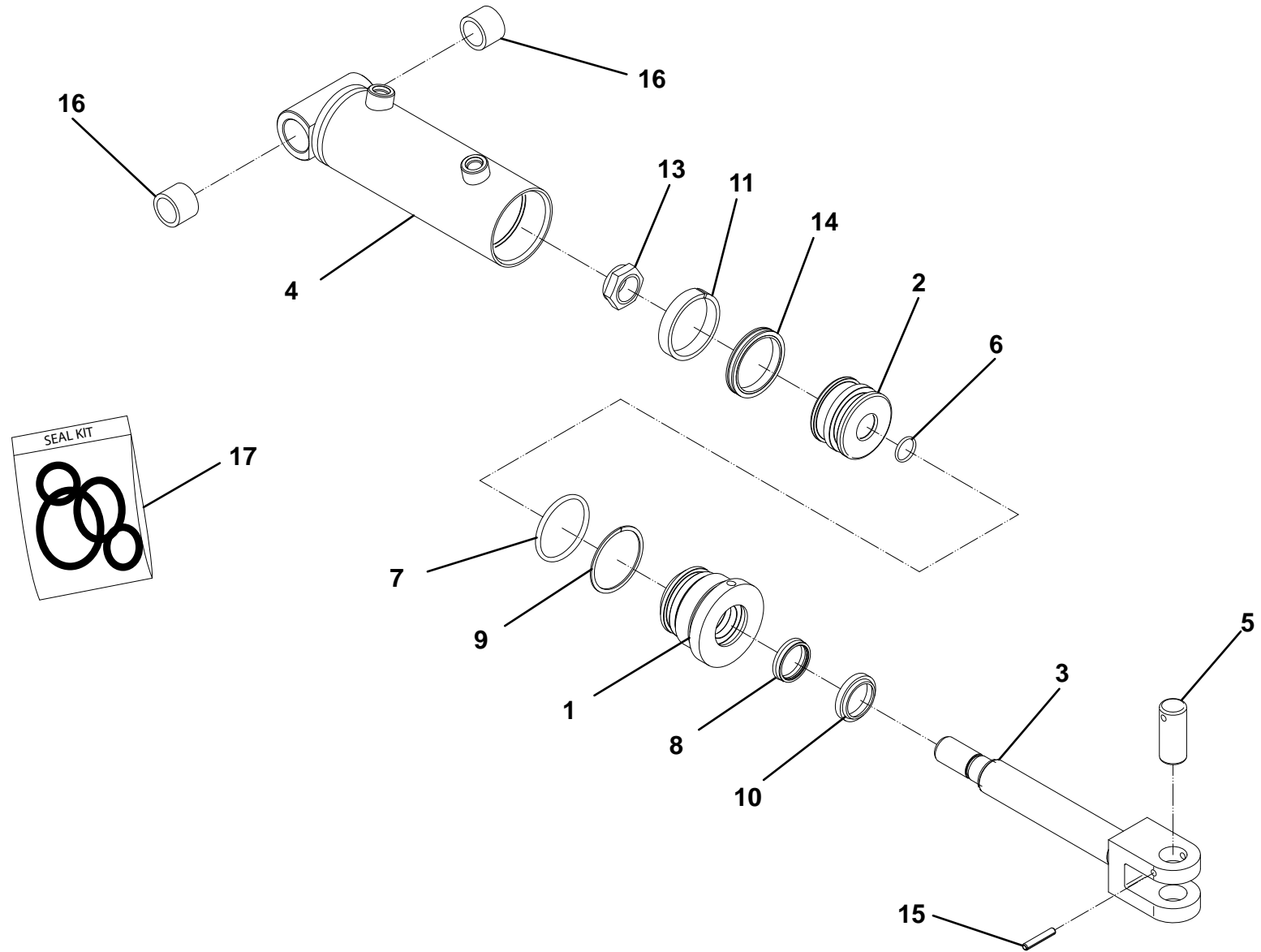
**AUTOGRID CYLINDER ASSEMBLY - P/N 7320000064**

ITEM	PART NO.	DESCRIPTION	QTY
1	7027336	Gland	1
2	7027338	Piston	1
3	70050632	Rod Assembly	1
4	70050633	Barrel Assembly	1
5	70050634	Retention Pin	1
6	70050635*	O-Ring	1
7	70050636*	O-Ring	1
8	70050637*	Rod Seal	1
9	70050638*	Backup Ring	1
10	70050639*	Rod Wiper	1
11	70050640*	Wear Ring	1
12	70050641	Plug	2
13	70050642	Locknut, 0.75"-16	1
14	70050643	Piston Seal	1
15	70050644	Roll Pin	1
16	7082000026	Bearing	2
17	7027341	Seal Kit	1

\* included in seal kit #7027341



# AUTOGRID CYLINDER ASSEMBLY - P/N 7320000064



**IRL CYLINDER ASSEMBLY - P/N 3320000114**

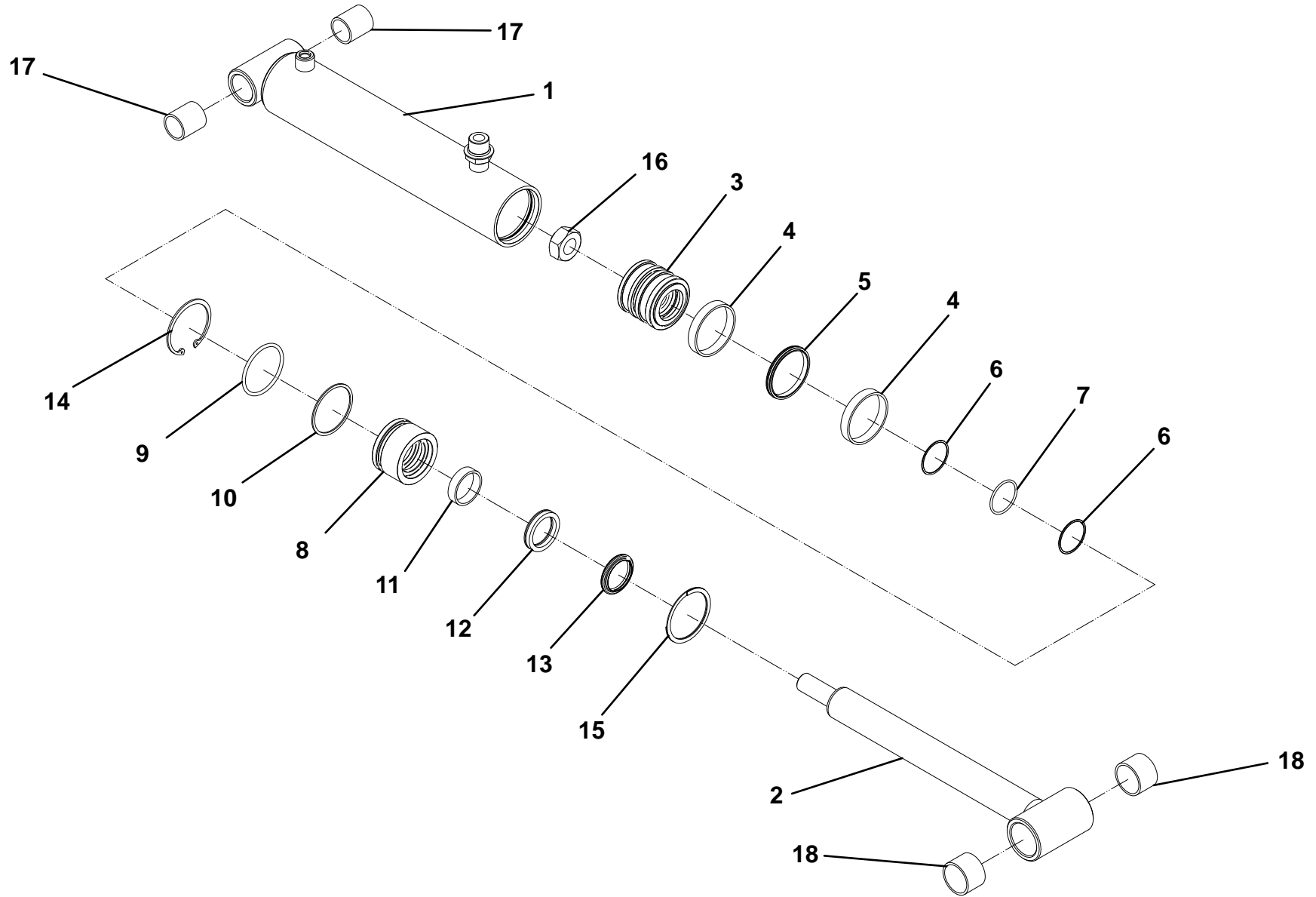
ITEM	PART NO.	DESCRIPTION	QTY
1	3071000105	Barrel Weld	1
2	3763000118	Rod Weld	1
3	4698000007*	Piston	1
4	7754000003*#	Wear Ring	2
5	7796000063*#	Piston Locking "T" Seal	1
6	7755224609*#	Back-Up Ring	2
7	7755224000*#	"O" Ring	1
8	4553000008^	Head	1
9	7755334000^#	"O" Ring	1
10	7755334609^#	Back-Up Ring	1
11	7754000004^#	Wear Ring	1
12	7796000024^#	Rod Seal	1
13	7796000008^#	Rod Wiper Seal	1
14	7754000002#	Retaining Ring	1
15	7754000026#	Retaining Ring	1
16	7661000034	Locknut	1
17	7082000016	Bearing	2
18	7082000018	Bearing	2

\* included in Piston Assembly, P/N 3698000001

^ included in Head Assembly, P/N 3553000011

# available only in Service Kit #7577250024

# IRL CYLINDER ASSEMBLY - P/N 3320000114



**WHEEL LIFT EXTEND CYLINDER ASSEMBLY - P/N 3320000115**

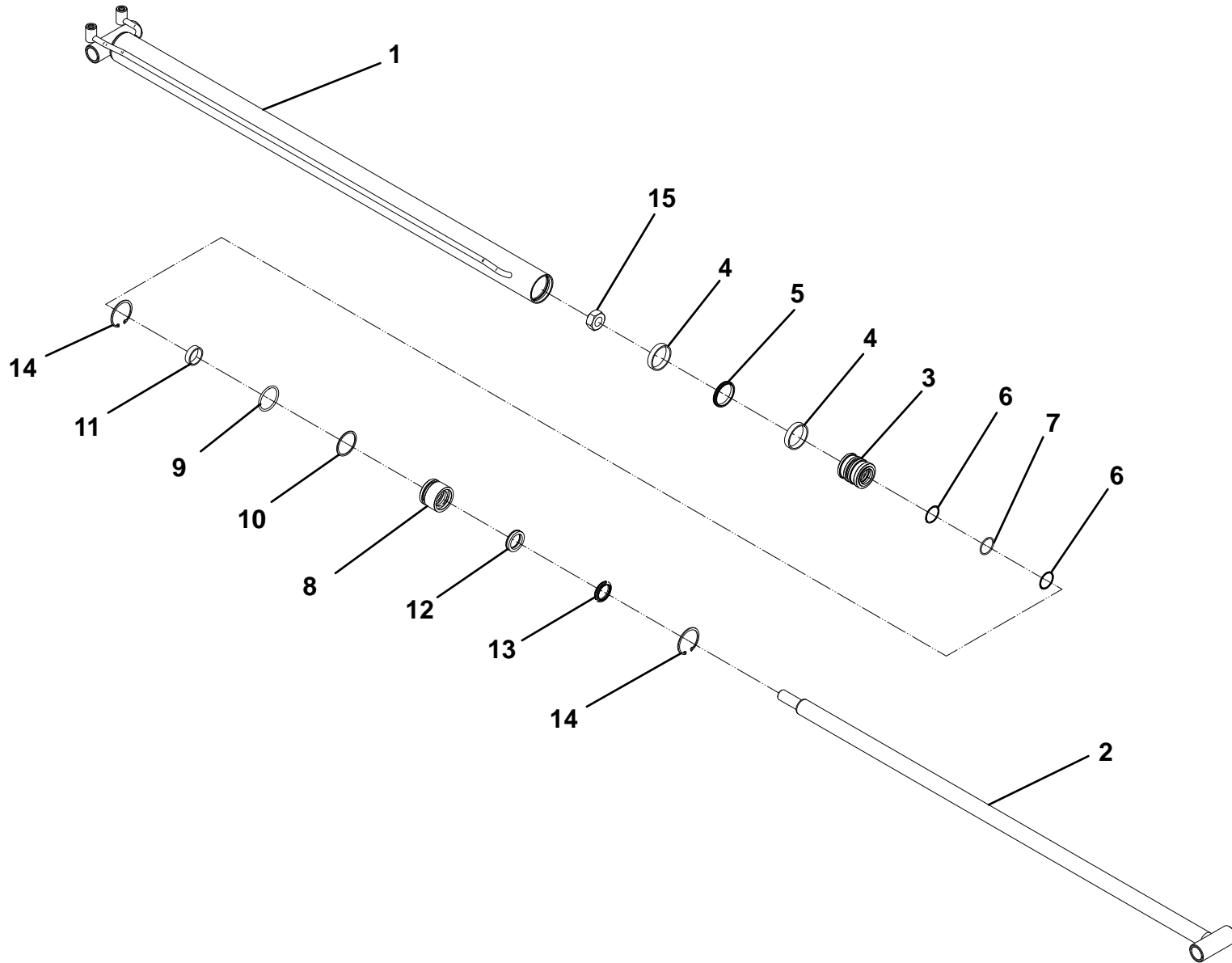
ITEM	PART NO.	DESCRIPTION	QTY
1	3071000106	Barrel Weld	1
2	3763000119	Rod Weld	1
3	4698000015*	Piston	1
4	7754000053*#	Wear Ring	2
5	7796000067*#	Piston Locking "T" Seal	1
6	7755222609*#	Back-Up Ring	2
7	7755222000*#	"O" Ring	1
8	4553000016^	Head	1
9	7755330000^#	"O" Ring	1
10	7755330609^#	Back-Up Ring	1
11	7754000054^#	Wear Ring	1
12	7796000045^#	Rod Seal	1
13	7796000046^#	Rod Wiper Seal	1
14	7754000051#	Retaining Ring	2
15	7661000034	Locknut	1

\* included in Piston Assembly, P/N 3698000006

^ included in Head Assembly, P/N 3553000016

# available only in Service Kit #7577250206

# WHEEL LIFT EXTEND CYLINDER ASSEMBLY - P/N 3320000115



**TOW OPTION EXTEND CYLINDER ASSEMBLY - P/N 3320000116**

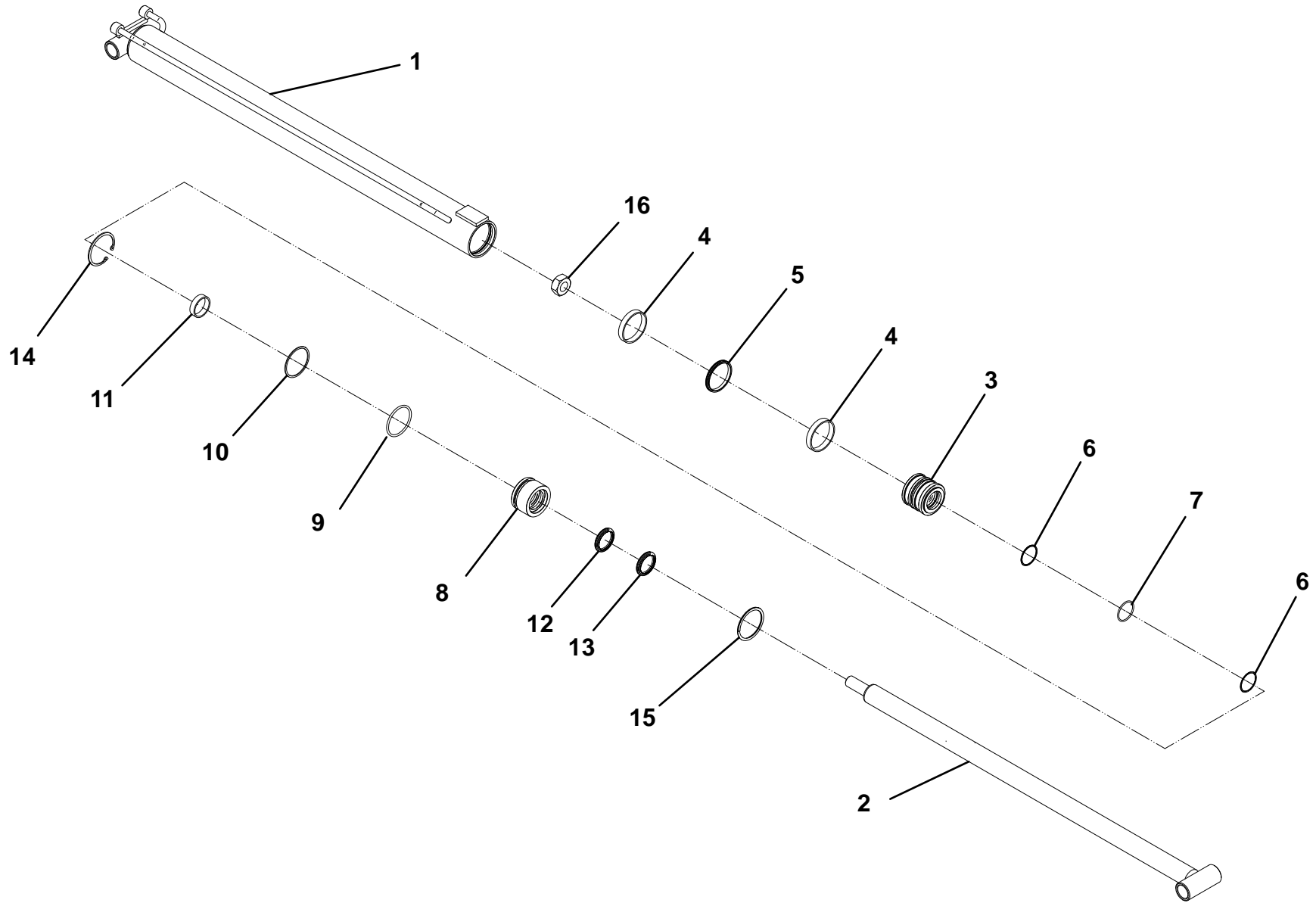
ITEM	PART NO.	DESCRIPTION	QTY
1	3071000107	Barrel Weld	1
2	3763000120	Rod Weld	1
3	4698000007*	Piston	1
4	7754000003*#	Wear Ring	2
5	7796000063*#	Piston Locking "T" Seal	1
6	7755224609*#	Back-Up Ring	2
7	7755224000*#	"O" Ring	1
8	4553000008^	Head	1
9	7755334000^#	"O" Ring	1
10	7755334609^#	Back-Up Ring	1
11	7754000004^#	Wear Ring	1
12	7796000024^#	Rod Seal	1
13	7796000008^#	Rod Wiper Seal	1
14	7754000002#	Retaining Ring	1
15	7754000026#	Retaining Ring	1
16	7661000034	Locknut	1

\* included in Piston Assembly, P/N 3698000001

^ included in Head Assembly, P/N 3553000011

# available only in Service Kit #7577250024

# TOW OPTION EXTEND CYLINDER ASSEMBLY - P/N 3320000116



**TOW OPTION EXTEND CYLINDER ASSEMBLY - P/N 3320000117**

ITEM	PART NO.	DESCRIPTION	QTY
1	3071000108	Barrel Weld	1
2	3763000121	Rod Weld	1
3	4698000007*	Piston	1
4	7754000003*#	Wear Ring	2
5	7796000063*#	Piston Locking "T" Seal	1
6	7755224609*#	Back-Up Ring	2
7	7755224000*#	"O" Ring	1
8	4553000008^	Head	1
9	7755334000^#	"O" Ring	1
10	7755334609^#	Back-Up Ring	1
11	7754000004^#	Wear Ring	1
12	7796000024^#	Rod Seal	1
13	7796000008^#	Rod Wiper Seal	1
14	7754000002#	Retaining Ring	1
15	7754000026#	Retaining Ring	1
16	7661000034	Locknut	1

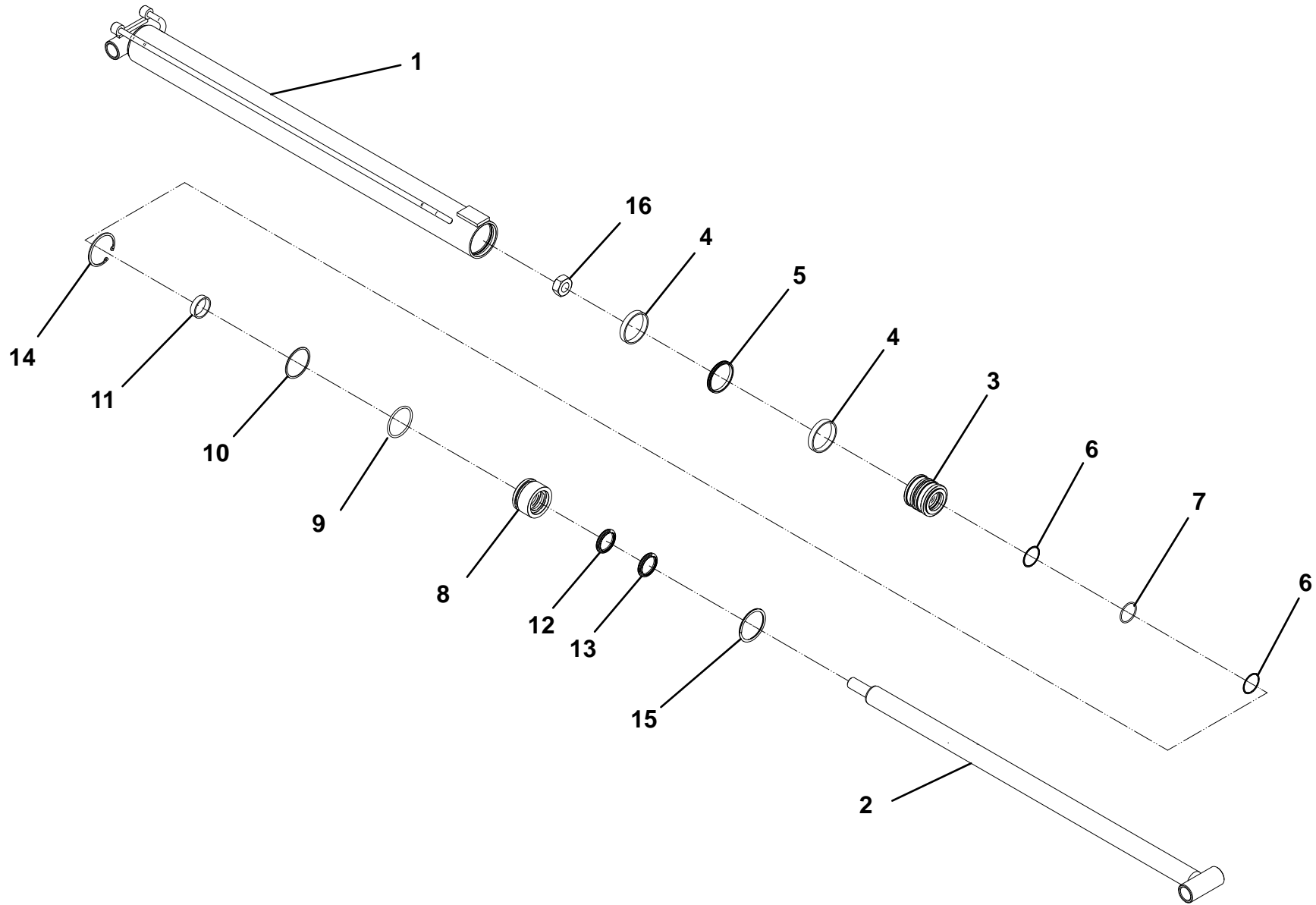
\* included in Piston Assembly, P/N 3698000001

^ included in Head Assembly, P/N 3553000011

# available only in Service Kit #7577250024



# TOW OPTION EXTEND CYLINDER ASSEMBLY - P/N 3320000117



**ZOD CYLINDER ASSEMBLY - P/N 3320000118**

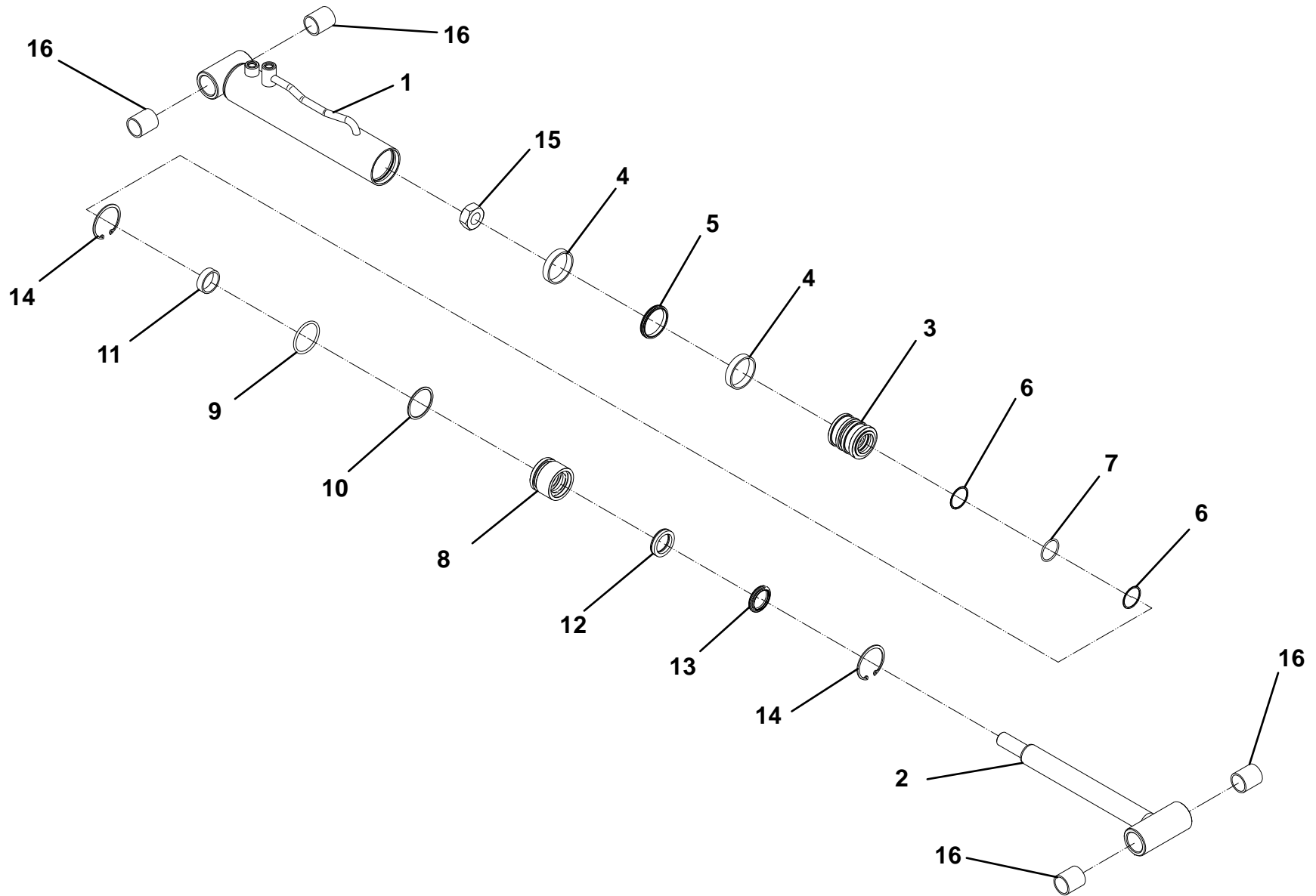
ITEM	PART NO.	DESCRIPTION	QTY
1	3071000109	Barrel Weld	1
2	3763000122	Rod Weld	1
3	4698000015*	Piston	1
4	7754000053*#	Wear Ring	2
5	7796000067*#	Piston Locking "T" Seal	1
6	7755224609*#	Back-Up Ring	2
7	7755224000*#	"O" Ring	1
8	4553000016^	Head	1
9	7755330000^#	"O" Ring	1
10	7755330609^#	Back-Up Ring	1
11	7754000054^#	Wear Ring	1
12	7796000045^#	Rod Seal	1
13	7796000046^#	Rod Wiper Seal	1
14	7754000051#	Retaining Ring	2
15	7661000034	Locknut	1
16	7082000016	Bearing	4

\* included in Piston Assembly, P/N 3698000006

^ included in Head Assembly, P/N 3553000016

# available only in Service Kit #7577250206

# ZOD CYLINDER ASSEMBLY - P/N 3320000118



**TILT CYLINDER ASSEMBLY (INBOARD) - P/N 3320000120**

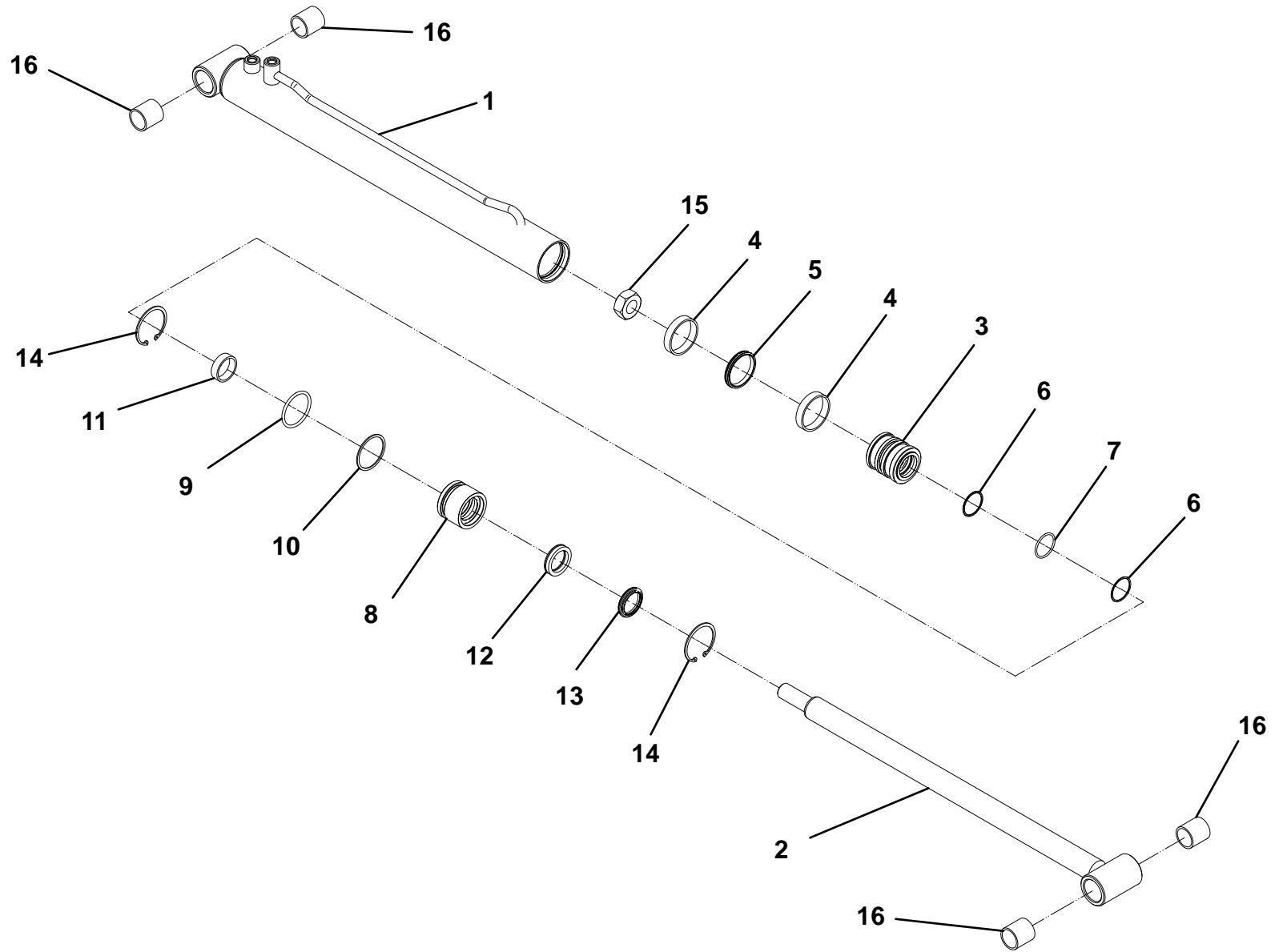
ITEM	PART NO.	DESCRIPTION	QTY
1	3071000111	Barrel Weld	1
2	3763000123	Rod Weld	1
3	4698000015*	Piston	1
4	7754000053*#	Wear Ring	2
5	7796000067*#	Piston Locking "T" Seal	1
6	7755222609*#	Back-Up Ring	2
7	7755222000*#	"O" Ring	1
8	4553000016^	Head	1
9	7755330000^#	"O" Ring	1
10	7755330609^#	Back-Up Ring	1
11	7754000054^#	Wear Ring	1
12	7796000045^#	Rod Seal	1
13	7796000046^#	Rod Wiper Seal	1
14	7754000051#	Retaining Ring	2
15	7661000011	Locknut	1
16	7082000016	Bearing	4

\* included in Piston Assembly, P/N 3698000006

^ included in Head Assembly, P/N 3553000016

# available only in Service Kit #7577250206

# TILT CYLINDER ASSEMBLY (INBOARD) - P/N 3320000120



**TILT CYLINDER ASSEMBLY - P/N 3320000122**

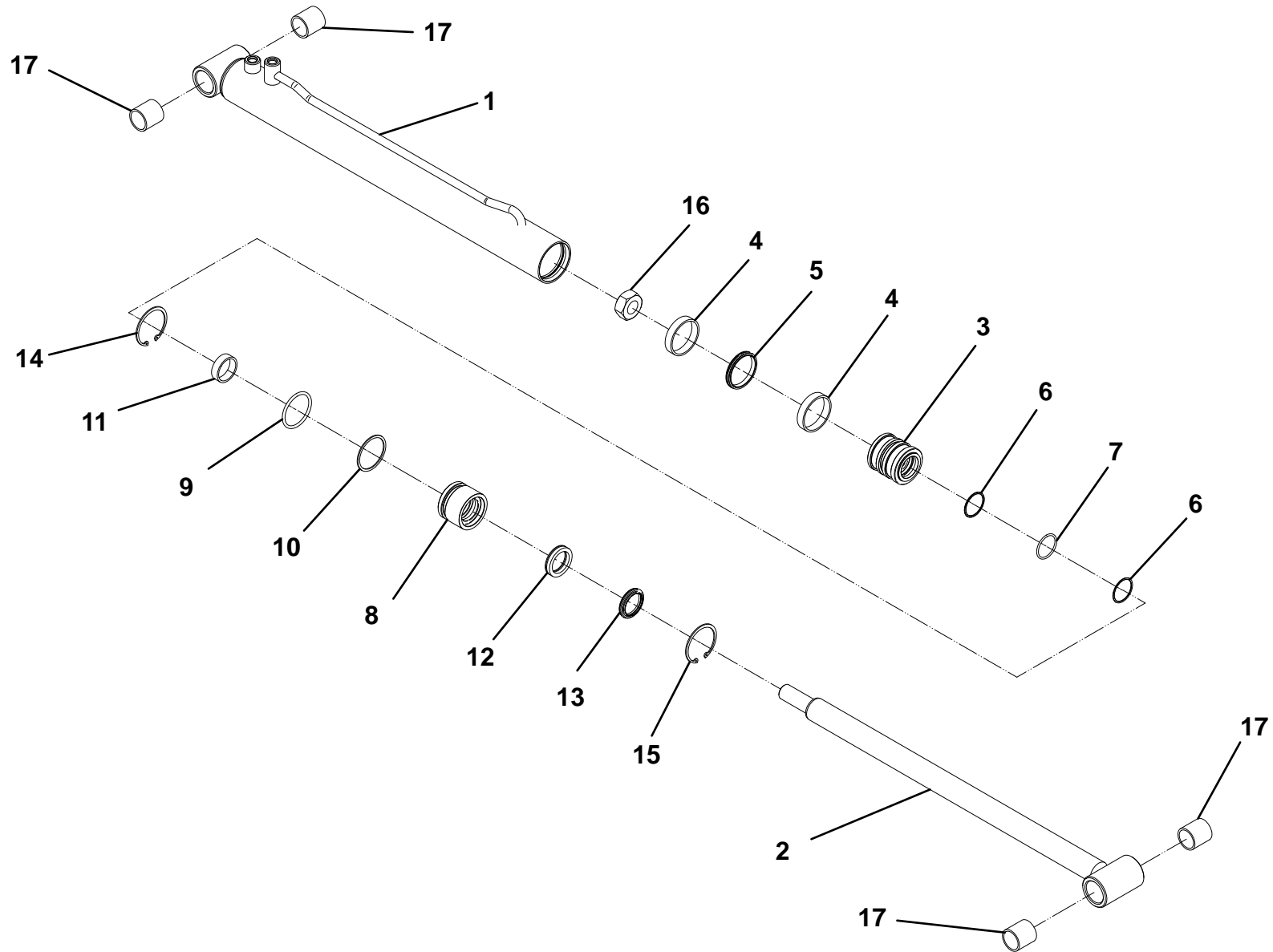
ITEM	PART NO.	DESCRIPTION	QTY
1	3071000117	Barrel Weld	1
2	3763000127	Rod Weld	1
3	4698000007*	Piston	1
4	7754000003*#	Wear Ring	2
5	7796000063*#	Piston Locking "T" Seal	1
6	7755224609*#	Back-Up Ring	2
7	7755224000*#	"O" Ring	1
8	4553000008^	Head	1
9	7755330008^#	"O" Ring	1
10	7755334609^#	Back-Up Ring	1
11	7754000004^#	Wear Ring	1
12	7796000045^#	Rod Seal	1
13	7796000024^#	Rod Wiper Seal	1
14	7754000002#	Retaining Ring	2
15	7754000026#	Locknut	1
16	7661000034	Locknut	1
17	7082000016	Bearing	4

\* included in Piston Assembly, P/N 3698000001

^ included in Head Assembly, P/N 3553000011

# available only in Service Kit #7577250024

# TILT CYLINDER ASSEMBLY - P/N 3320000122



**IRL CYLINDER ASSEMBLY - P/N 3320000134**

ITEM	PART NO.	DESCRIPTION	QTY
1	3071000131	Barrel Weld	1
2	3763000139	Rod Weld	1
3	4698000007*	Piston	1
4	7754000003*#	Wear Ring	2
5	7796000063*#	Piston Locking "T" Seal	1
6	7755224609*#	Back-Up Ring	2
7	7755224000*#	"O" Ring	1
8	4553000008^	Head	1
9	7755334000^#	"O" Ring	1
10	7755334609^#	Back-Up Ring	1
11	7754000004^#	Wear Ring	1
12	7796000024^#	Rod Seal	1
13	7796000008^#	Rod Wiper Seal	1
14	7754000002#	Retaining Ring	1
15	7754000026#	Retaining Ring	1
16	7661000034	Locknut	1
17	7082000016	Bearing	2
18	7082000018	Bearing	2

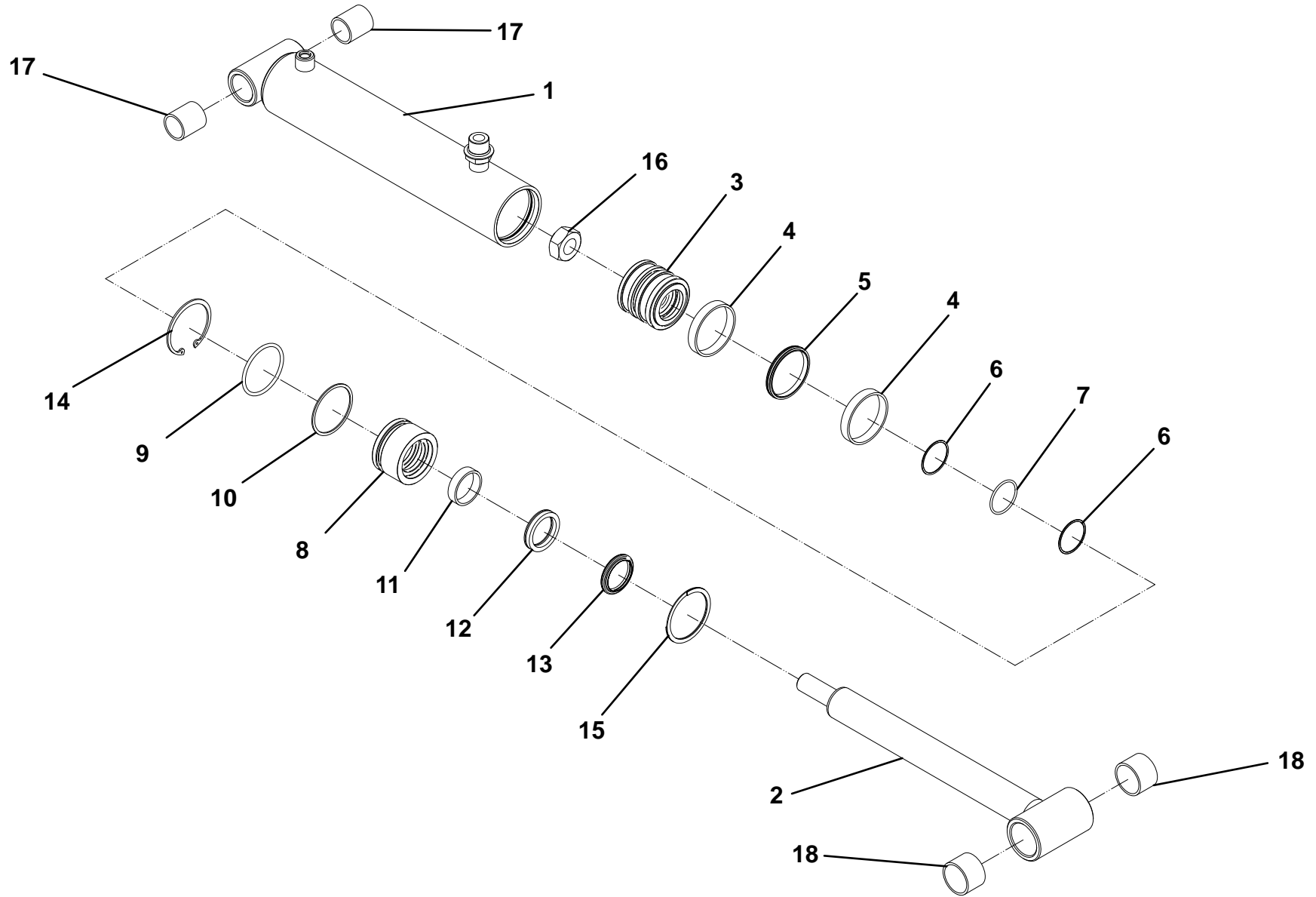
\* included in Piston Assembly, P/N 3698000001

^ included in Head Assembly, P/N 3553000011

# available only in Service Kit #7577250024



# IRL CYLINDER ASSEMBLY - P/N 3320000134



**ZOD CYLINDER ASSEMBLY - P/N 3320000135**

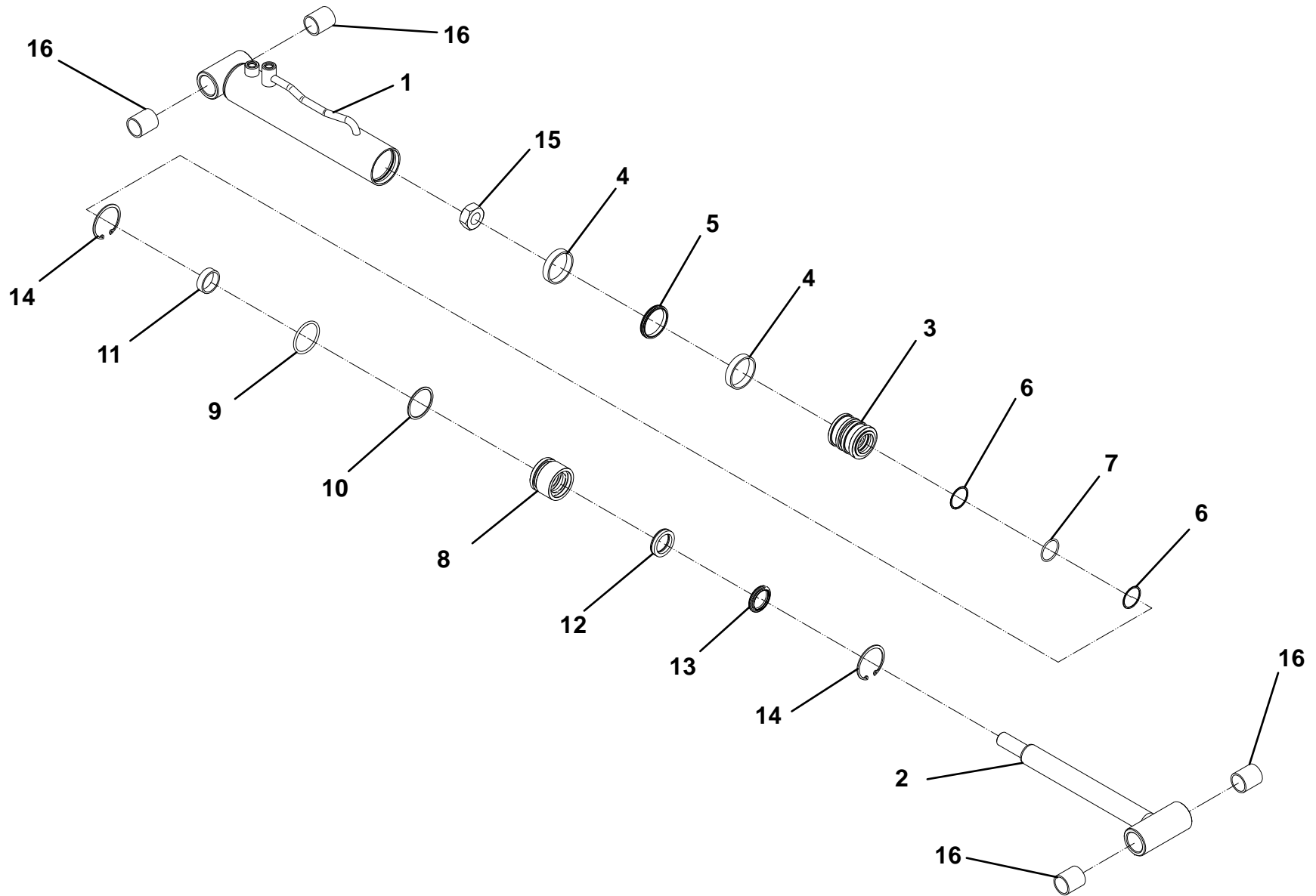
ITEM	PART NO.	DESCRIPTION	QTY
1	3071000139	Barrel Weld	1
2	3763000140	Rod Weld	1
3	4698000015*	Piston	1
4	7754000053*#	Wear Ring	2
5	7796000067*#	Piston Locking "T" Seal	1
6	7755224609*#	Back-Up Ring	2
7	7755224000*#	"O" Ring	1
8	4553000016^	Head	1
9	7755330000^#	"O" Ring	1
10	7755330609^#	Back-Up Ring	1
11	7754000054^#	Wear Ring	1
12	7796000045^#	Rod Seal	1
13	7796000046^#	Rod Wiper Seal	1
14	7754000051#	Retaining Ring	2
15	7661000034	Locknut	1
16	7082000016	Bearing	4

\* included in Piston Assembly, P/N 3698000006

^ included in Head Assembly, P/N 3553000016

# available only in Service Kit #7577250206

# ZOD CYLINDER ASSEMBLY - P/N 3320000135



**ZOD CYLINDER ASSEMBLY - P/N 7330000157**

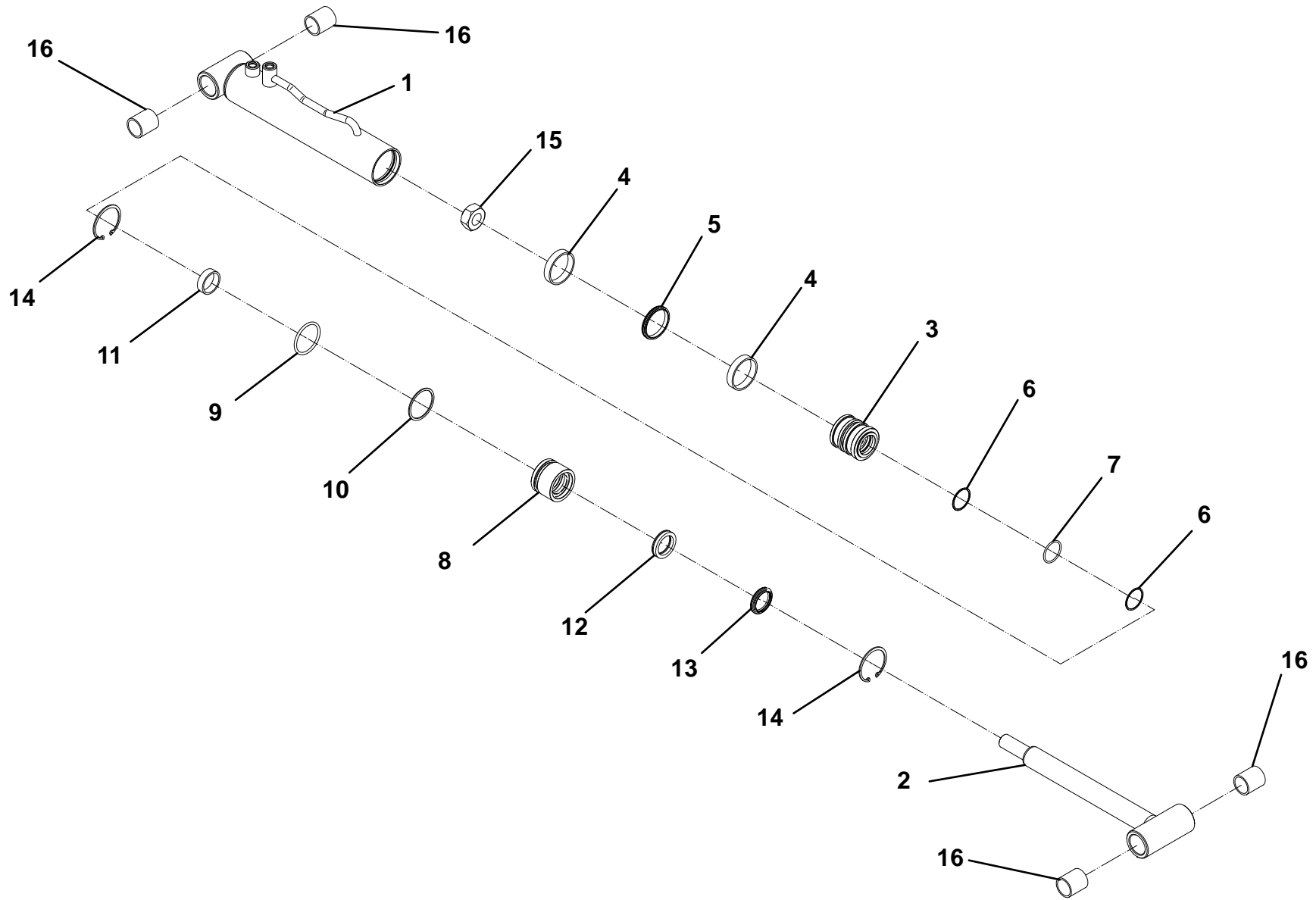
ITEM	PART NO.	DESCRIPTION	QTY
1	3071000109	Barrel Weld	1
2	3763000170	Rod Weld	1
3	4698000015*	Piston	1
4	7754000053*#	Wear Ring	2
5	7796000067*#	Piston Locking "T" Seal	1
6	7755224609*#	Back-Up Ring	2
7	7755224000*#	"O" Ring	1
8	4553000016^	Head	1
9	7755330000^#	"O" Ring	1
10	7755330609^#	Back-Up Ring	1
11	7754000054^#	Wear Ring	1
12	7796000045^#	Rod Seal	1
13	7796000046^#	Rod Wiper Seal	1
14	7754000051#	Retaining Ring	2
15	7661000034	Locknut	1
16	7082000016	Bearing	4

\* included in Piston Assembly, P/N 3698000006

^ included in Head Assembly, P/N 3553000016

# available only in Service Kit #7577250206

# ZOD CYLINDER ASSEMBLY - P/N 3320000157



**ROLL CYLINDER ASSEMBLY - P/N 3320000236**

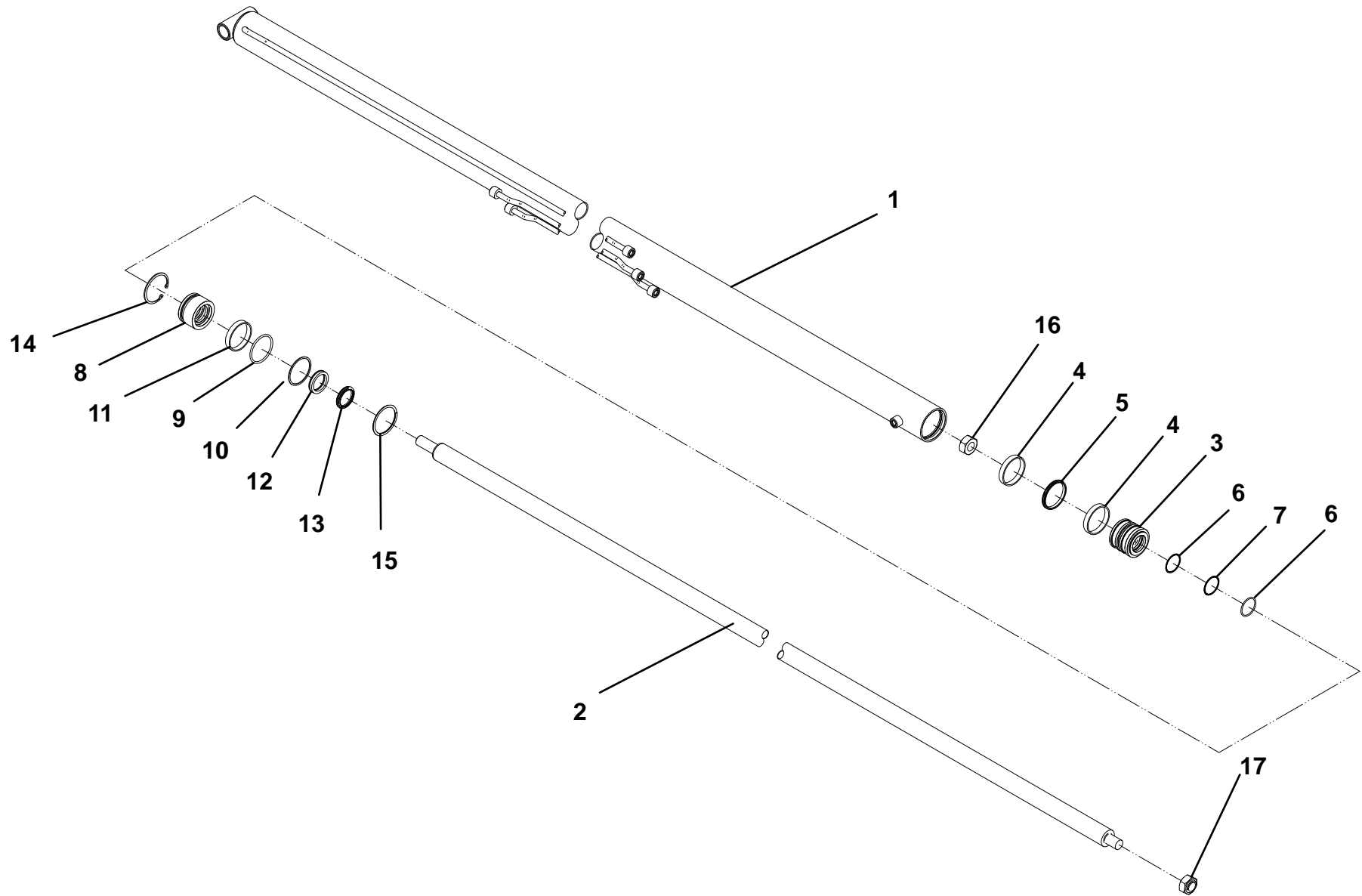
ITEM	PART NO.	DESCRIPTION	QTY
1	3071000218	Barrel Weld	1
2	4763000204	Rod	1
3	4698000007*	Piston	1
4	7754000003*#	Wear Ring	2
5	7796000063*#	Piston Locking "T" Seal	1
6	7755224609*#	Back-Up Ring	2
7	7755224000*#	"O" Ring	1
8	4553000008^	Head	1
9	7755334000^#	"O" Ring	1
10	7755334609^#	Back-Up Ring	1
11	7754000004^#	Wear Ring	1
12	7796000024^#	Rod Seal	1
13	7796000008^#	Rod Wiper Seal	1
14	7754000002#	Retaining Ring	1
15	7754000026#	Retaining Ring	1
16	7661000034	Locknut	1
17	1001148308	Nut, 1.00"-14NF	1

\* included in Piston Assembly, P/N 3698000001

^ included in Head Assembly, P/N 3553000011

# available only in Service Kit #7577250024

# ROLL CYLINDER ASSEMBLY - P/N 3320000236

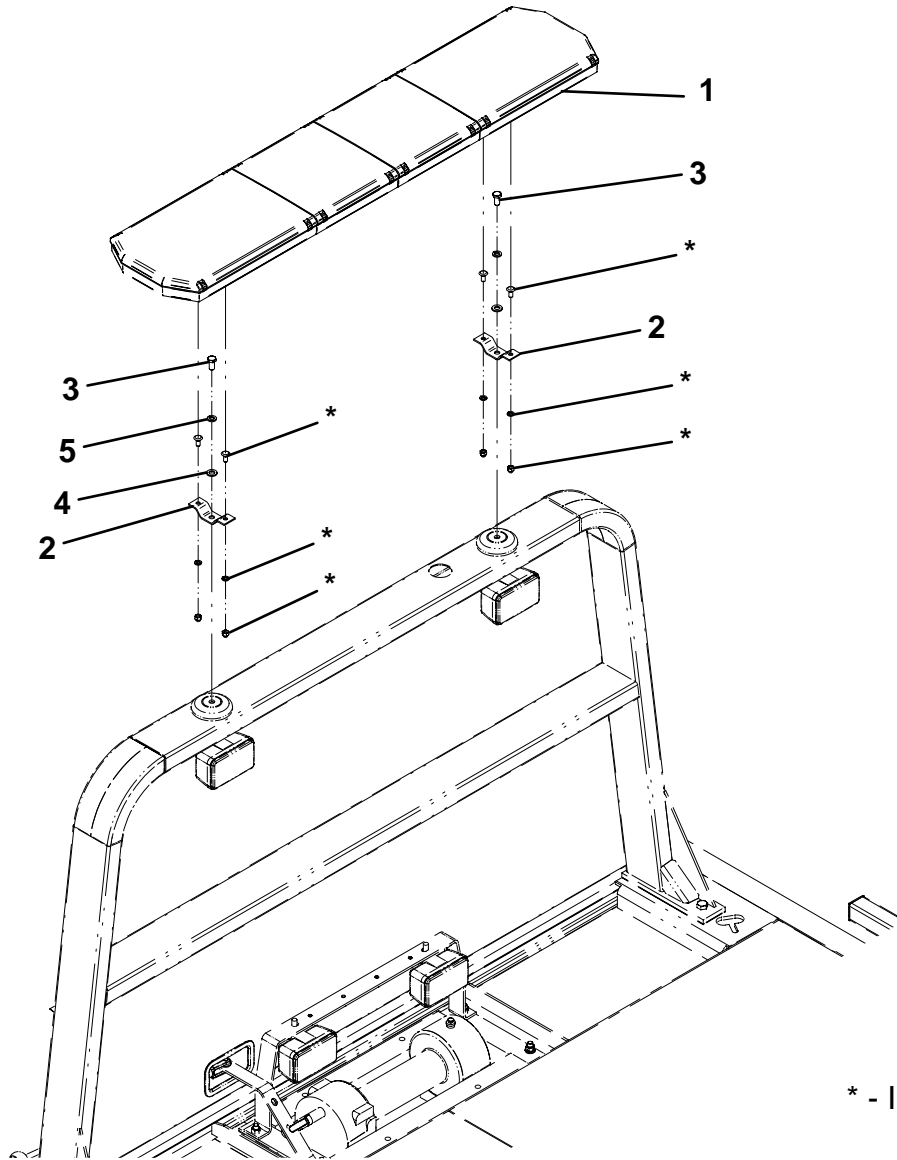


**LIGHTBARS**

ITEM	PART NO.	DESCRIPTION	QTY
1	1001136989	Lightbar, Prizm, Amber LED	1
	1001136993	Lightbar, Prizm, Red LED	
	7590000403	Lightbar, Whelen, Amber LED	
2	4178000402	Bracket (standard mount)	2
	4178000437	Bracket (high mount)	
3	7115180850	Capscrew, 0.50"-13NC x 1.00"	2
4	7950180252	Flatwasher, 0.50" ID	2
5	7950180000	Lockwasher, 0.50" ID	2



# LIGHTBARS

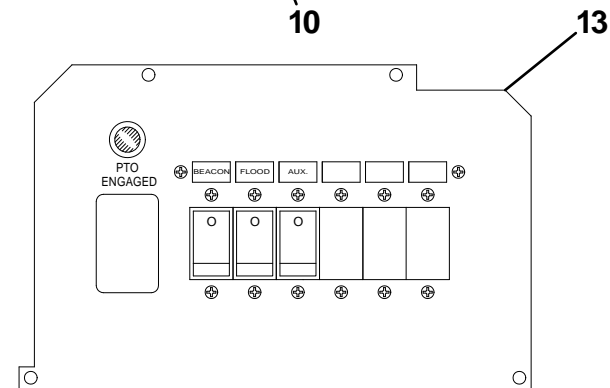
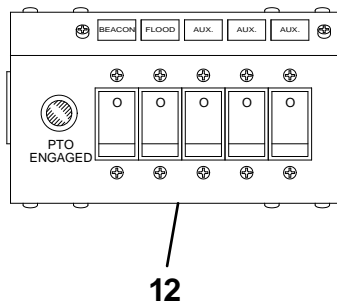
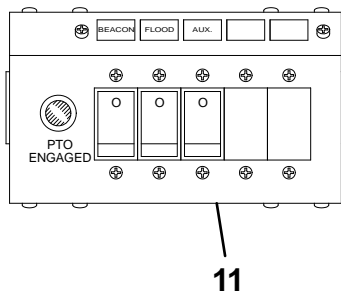
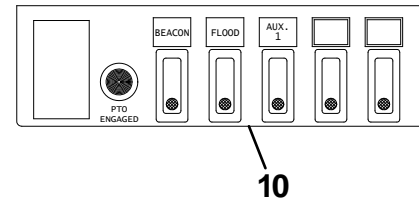
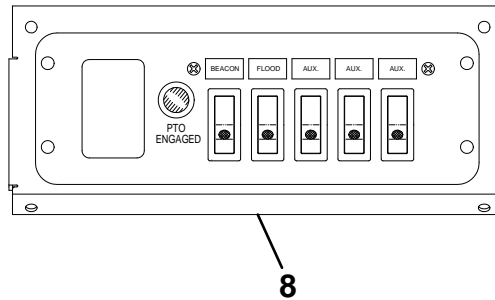
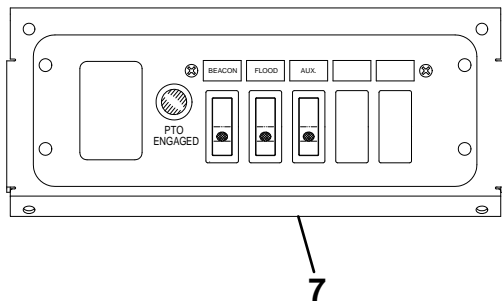
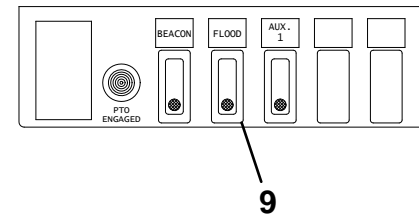
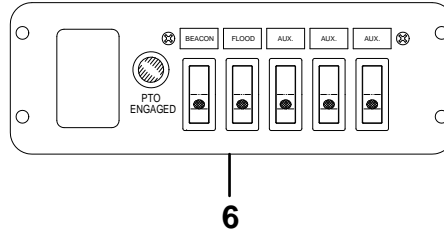
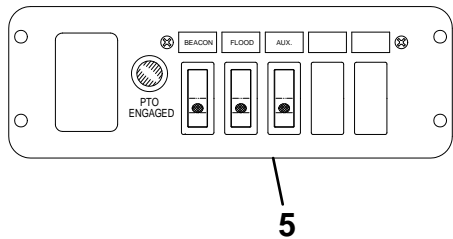
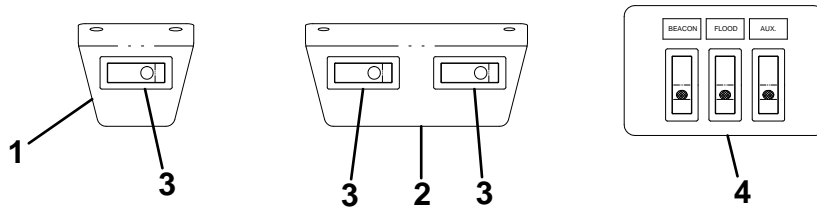


\* - INCLUDED WITH LIGHTBAR

**SWITCH PANELS**

ITEM	PART NO.	DESCRIPTION	QTY
1	4178000403	Bracket -1 Function Switch Panel	1
2	4178000427	Bracket -2 Function Switch Panel	1
3	7870000083	Switch	1
4	7870000113	Switch Panel - 3 Function, Mini In-Dash	1
5	7870000100	Switch Panel - 3 Function, In-Dash	1
6	7870000106	Switch Panel - 5 Function, In-Dash	1
7	7870000134	Switch Panel - 3 Function, Under Dash	1
8	7870000137	Switch Panel - 5 Function, Under Dash	1
9	2870000022	Switch Panel - 3 Function, In-Dash for Ford F650/750	1
10	2870000021	Switch Panel - 5 Function, In-Dash for Ford F650/750	1
11	7870000053	Switch Panel - 3 Function, Under Dash	1
12	7870000063	Switch Panel - 5 Function, Under Dash	1
13	7870000076	Switch Panel - 3 Function, In-Dash for IHC 4300/4400	1

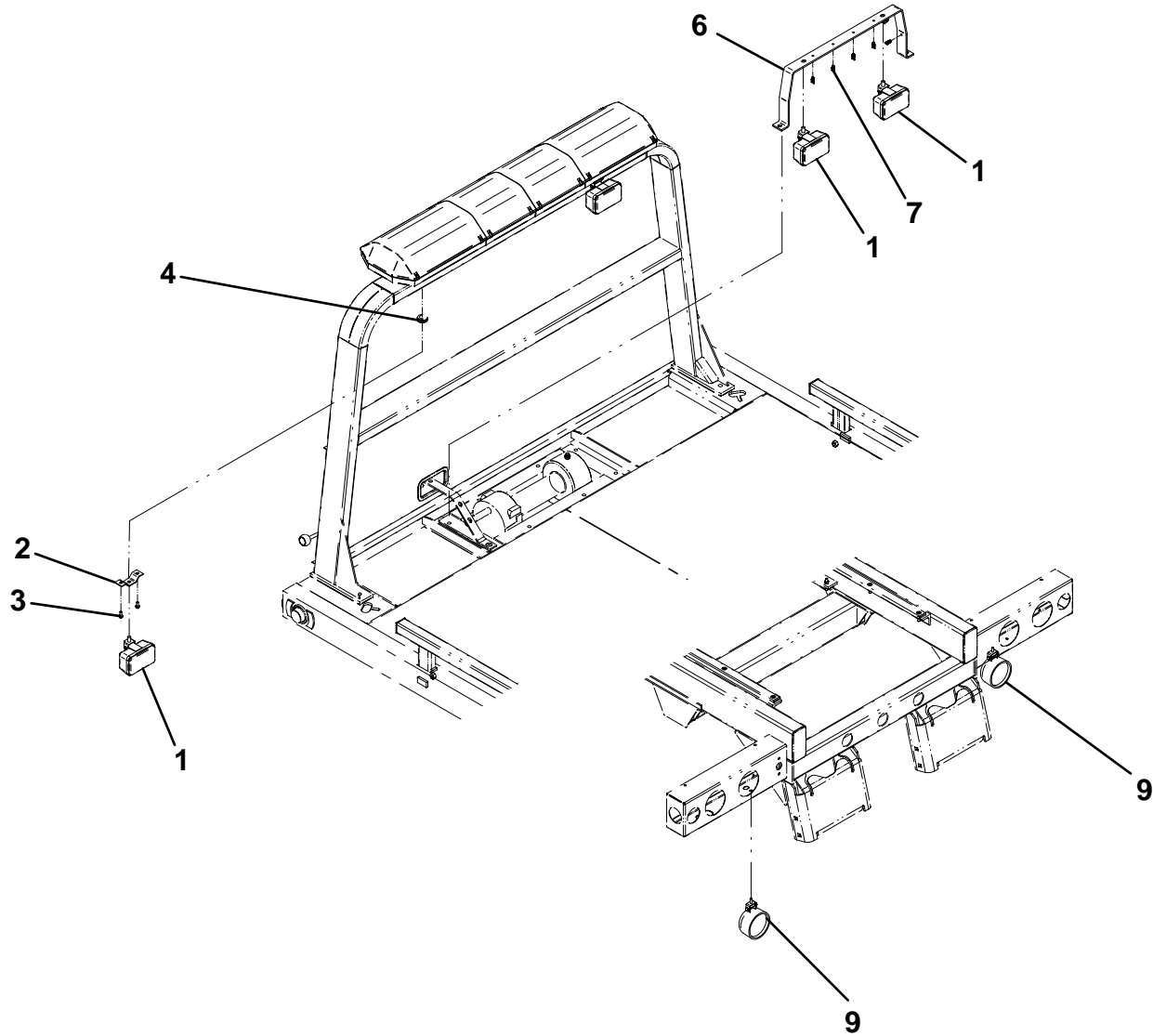
# SWITCH PANELS



**WORK LIGHTS**

ITEM	PART NO.	DESCRIPTION	QTY
1	7590000223	Work Light	4
2	4178000402	Bracket	2
3	7790151253	Screw, 0.31"-18NC x 0.75"	4
4	7493000003	Grommet	2
5	7552000222	Harness - Headboard Work Lights	1
	7552000360	Harness - Headboard Work Lights (Bucket Rest Headboard Only)	1
6	4178000423	Bracket	1
7	7280000011	Clip - Winch Work Lights	6
8	7552000166	Harness - Winch Work Lights	1
9	7590000185	Work Light	2

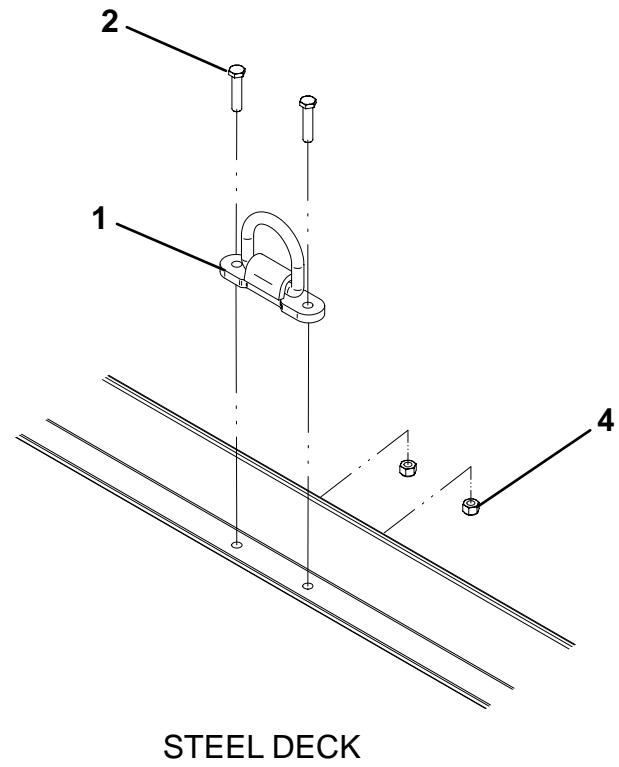
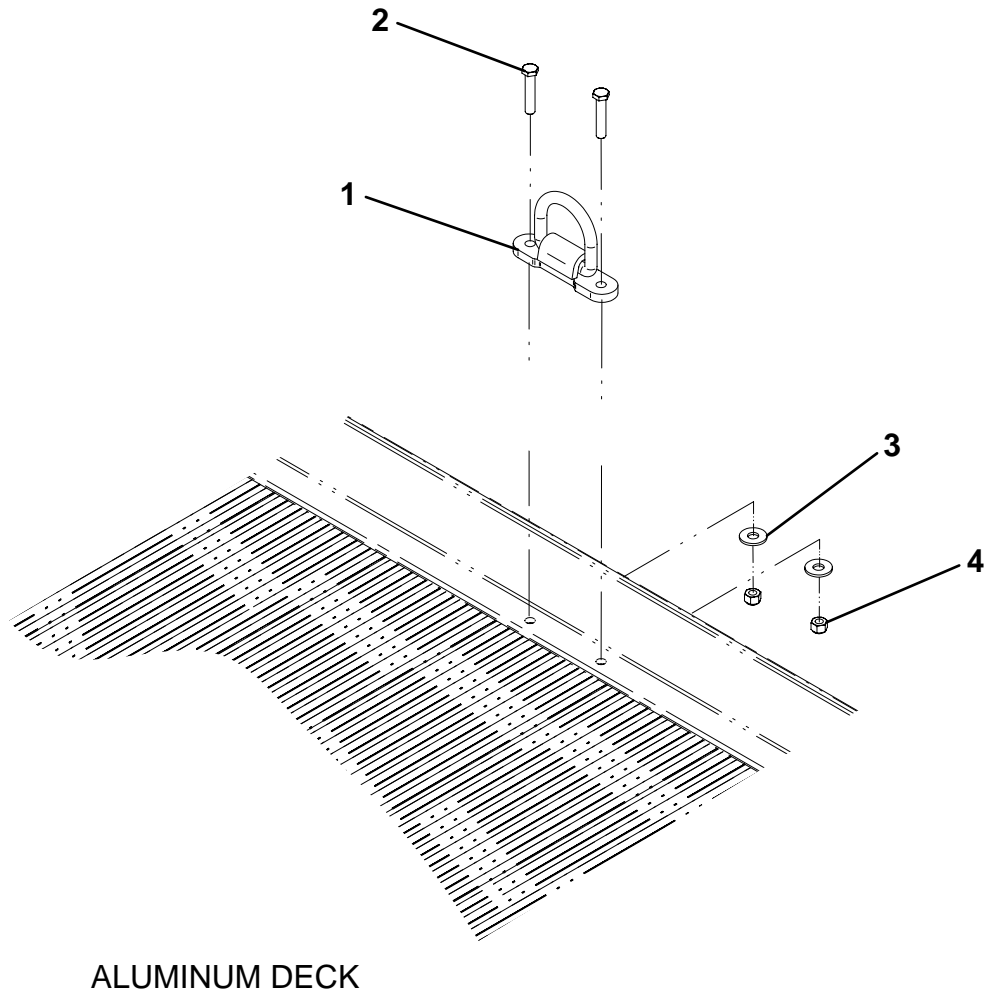
# WORK LIGHTS



**BOLT-ON D-RINGS**

ITEM	PART NO.	DESCRIPTION	QTY
1	3556000019	D-Ring	1
2	7115182050	Capscrew, 0.50"-13NC x 2.50"	2
3	7950180161	Flatwasher, 0.50" ID (aluminum decks only)	2
4	7660182601	Locknut, 0.50"-13NC	2

# BOLT-ON D-RINGS

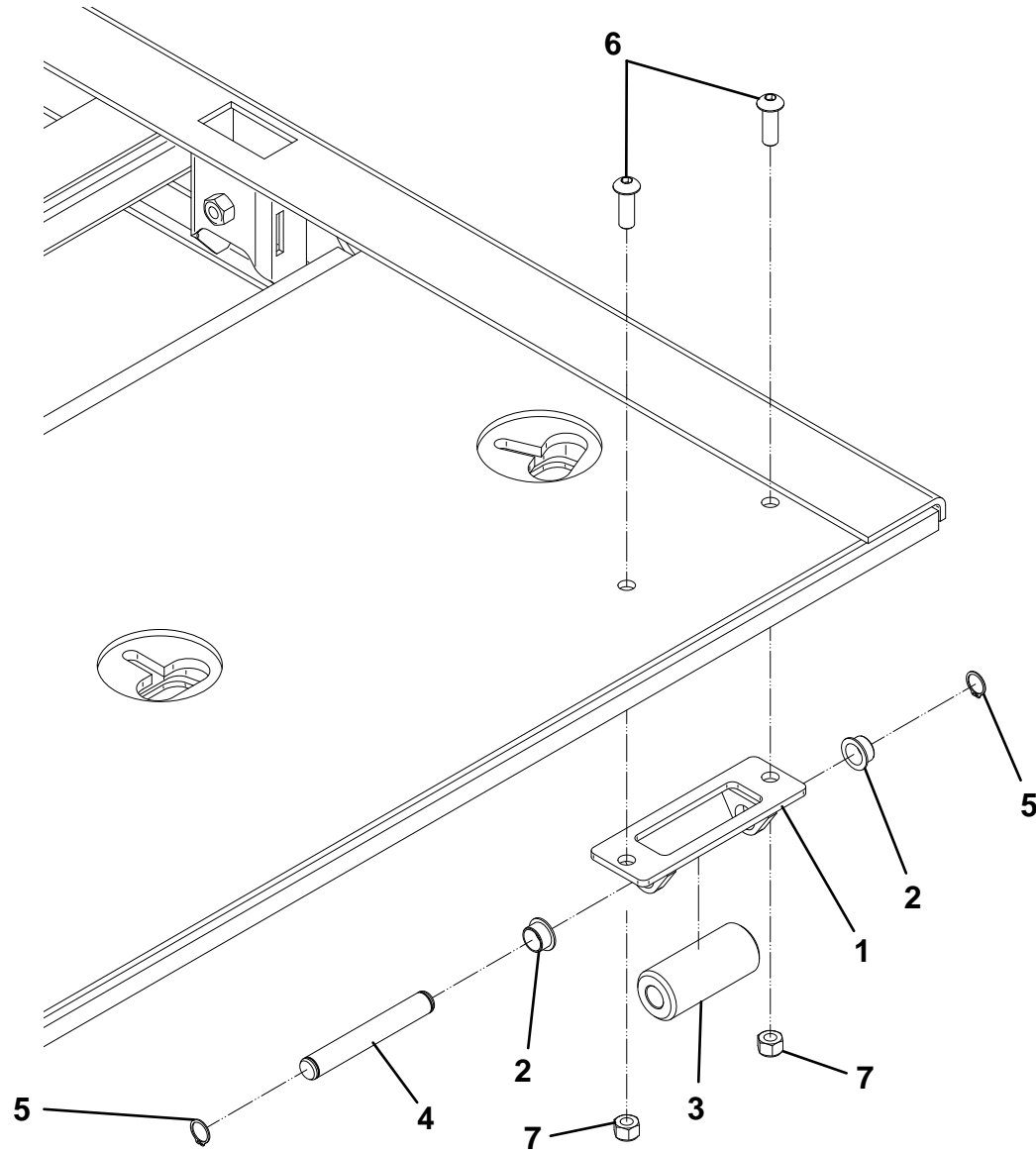


**APPROACH TIP ROLLER INSTALLATION**

ITEM	PART NO.	DESCRIPTION	QTY
1	3550001912	Bracket	1
2	7550000074	Bearing	2
3	7550000073	Roller	1
4	4691000568	Pin	1
5	7754000022	Retaining Ring	2
6	7114181218	Capscrew, 0.50"-13NC x 1.50"	2
7	7660182601	Locknut, 0.50"-13NC	2



# APPROACH TIP ROLLER INSTALLATION



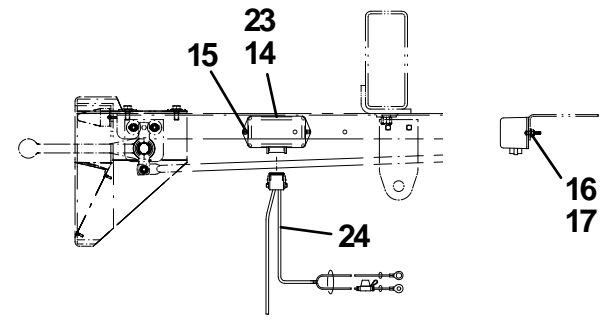
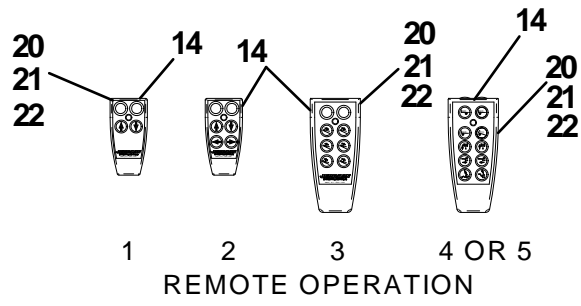
**1, 2, 3, 4 OR 5 REMOTE CONTROL OPERATIONS**

ITEM	PART NO.	DESCRIPTION	QTY	ITEM	PART NO.	DESCRIPTION	QTY
1	7005000003	Linear Actuator 12V	1*	19	7330000696	Decal - Controller Functions	1
2	4706005361	Plate	2			(3, 4, or 5 remote operations)	
3	7115150864	Carriage Bolt, 0.31"-18NC x 1.00"	4	20	9295310032#	Transmitter (1 remote operation)	1
4	7950150161	Flatwasher, 0.31" ID	4		9295310033#	Transmitter (2 remote operations)	
5	7660152601	Locknut, 0.31"-18NC	4		9295310034#	Transmitter (3 remote operations)	
6	4178000664	Bracket	1*		9295310036#	Transmitter (4 or 5 remote operations)	
7	4178000665	Bracket	1*	21	9295310030#	Belt Clip	1
8	7115150864	Carriage Bolt, 0.31"-18NC x 1.00"	2*	22	9295310042#	Rubber Boot (1 or 2 remote operations)	1
9	7660152601	Locknut, 0.31"-18NC	2*		9295310029#	Rubber Boot (3, 4, or 5 remote operations)	
10	4691000141	Pin (3, 4 or 5 section control valve)	1	23	9295310037#	Receiver (1 remote operation)	1
	4691000373	Pin (6 section control valve)			9295310038#	Receiver (2 remote operations)	
	4691000374	Pin (7 section control valve)			9295310039#	Receiver (3 remote operations)	
11	4211000001	Bushing	4*		9295310050#	Receiver (4 or 5 remote operations)	
12	7950220141	Flatwasher, 0.75" ID	4	24	7552000391	Harness (1 remote operation)	1
13	7754000009	Retaining Ring	2		7552000392	Harness (2 remote operations)	
14	7295000106	Controller (1 remote operation)	1		7552000393	Harness (3 remote operations)	
	7295000108	Controller (2 remote operations)			7552000426	Harness (4 or 5 remote operations)	
	7295000109	Controller (3 remote operations)					
	7295000111	Controller (4 or 5 remote operations)					
15	7114100810	Screw, #10-24NC x 1.00"	2				
		(1 remote operation)					
	7114100810	Screw, #10-24NC x 1.00"	6				
		(2, 3, 4, or 5 remote operations)					
16	7950140151	Flatwasher, 0.19" ID	2				
		(1 remote operation)					
	7950140151	Flatwasher, 0.19" ID	8				
		(2, 3, 4, or 5 remote operations)					
17	7660102604	Locknut, #10-18NC	2				
		(1 remote operation)					
	7660102604	Locknut, #10-18NC	6				
		(2, 3, 4, or 5 remote operations)					
18	4706005595	Plate (2, 3, 4, or 5 remote operations)	1				

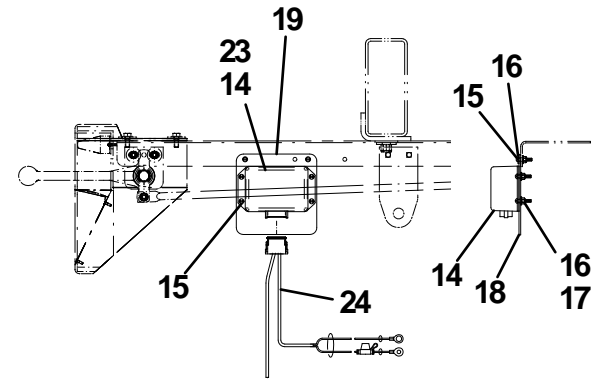
\* quantities are for 1 remote operation, adjust quantities for 2, 3, 4, or 5 remote operations

# included with Controller, item #14

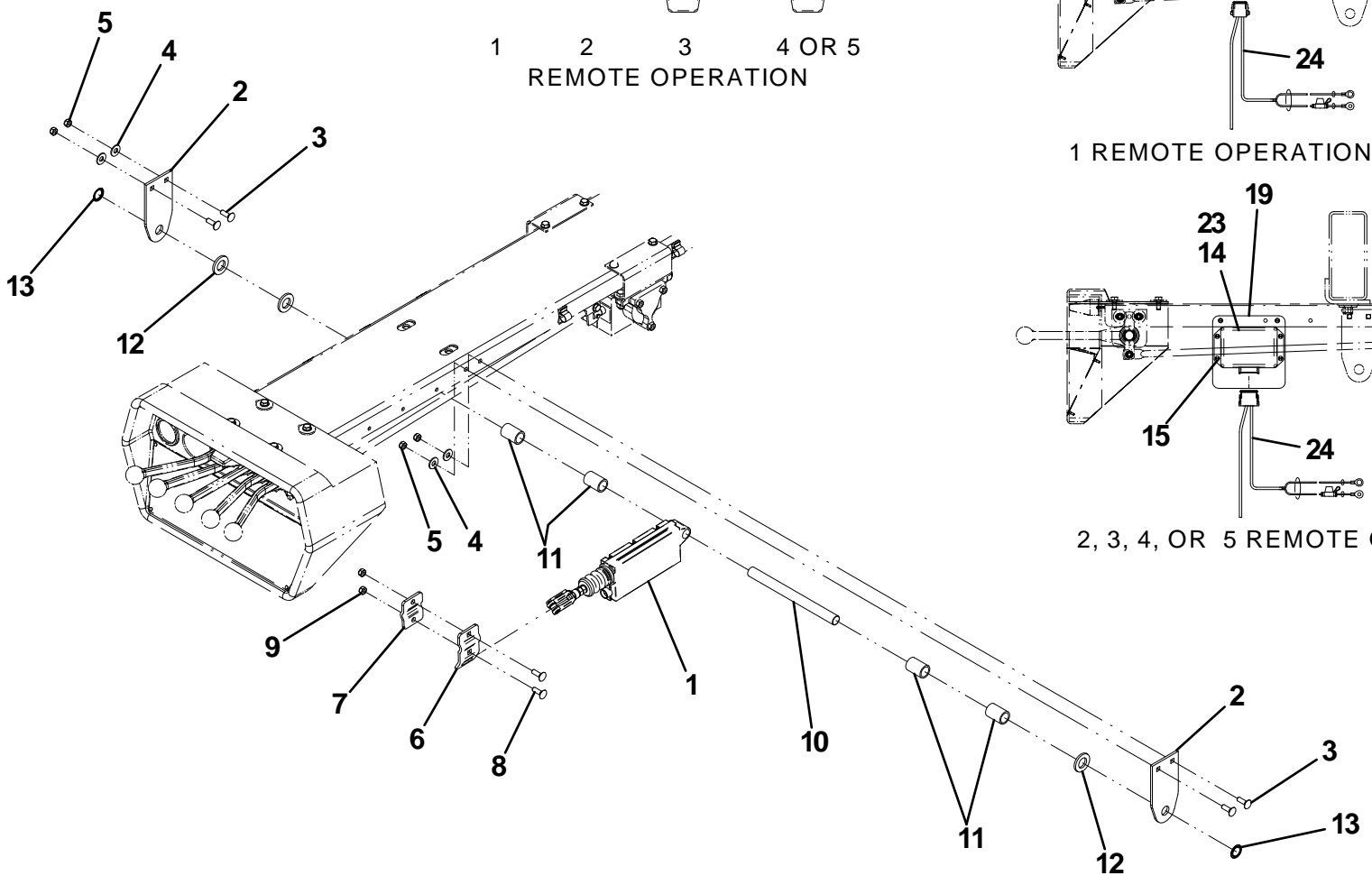
# 1, 2, 3, 4 OR 5 REMOTE CONTROL OPERATIONS



1 REMOTE OPERATION



2, 3, 4, OR 5 REMOTE OPERATIONS



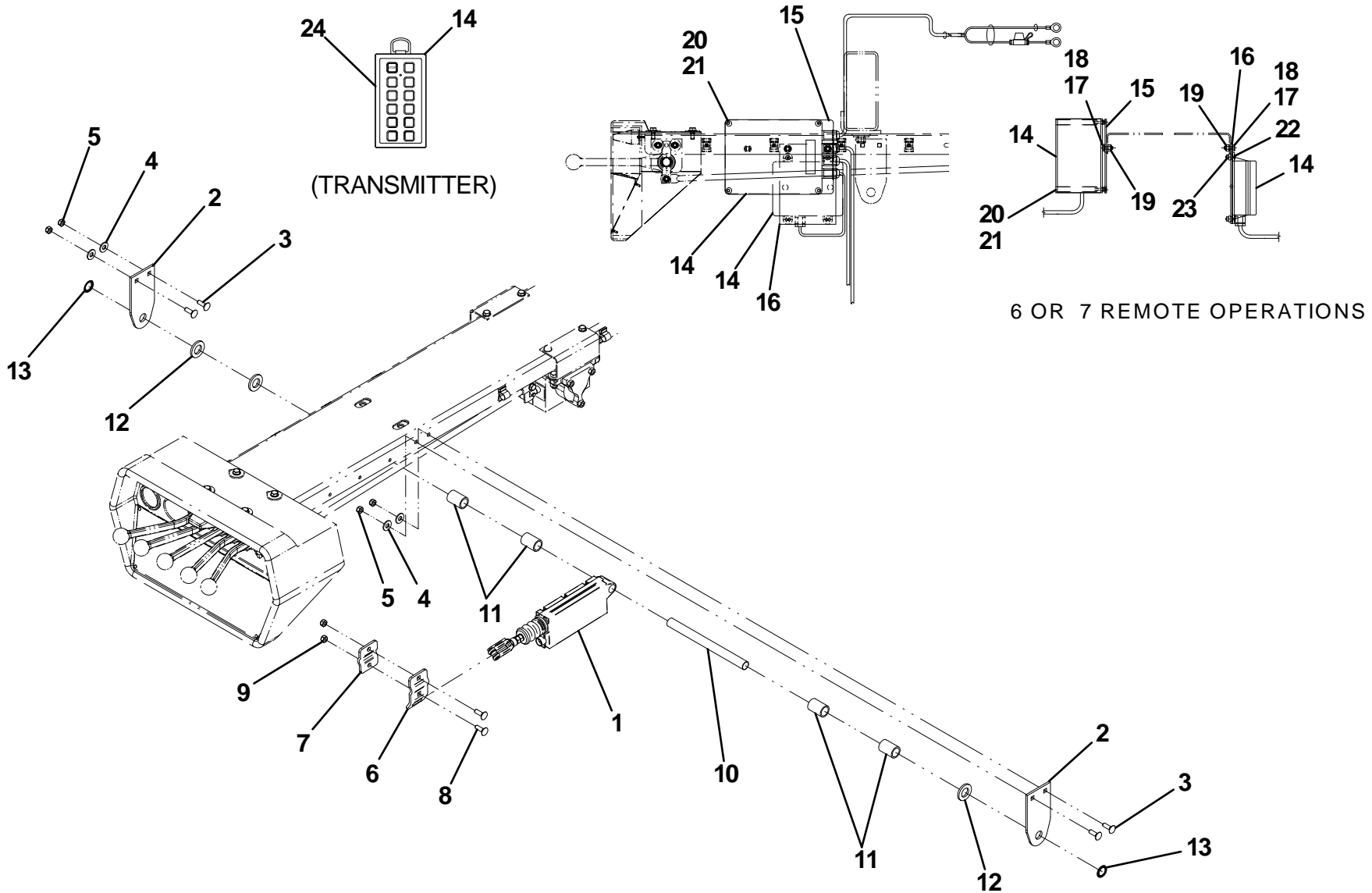
**6 OR 7 REMOTE CONTROL OPERATIONS**

ITEM	PART NO.	DESCRIPTION	QTY
1	7005000003	Linear Actuator 12V	1*
2	4706005361	Plate	2
3	7115150864	Carriage Bolt, 0.31"-18NC x 1.00"	4
4	7950150161	Flatwasher, 0.31" ID	4
5	7660152601	Locknut, 0.31"-18NC	4
6	4178000664	Bracket	1*
7	4178000665	Bracket	1*
8	7115150864	Carriage Bolt, 0.31"-18NC x 1.00"	2*
9	7660152601	Locknut, 0.31"-18NC	2*
10	4691000373	Pin (6 section control valve)	
	4691000374	Pin (7 section control valve)	
11	4211000001	Bushing	4*
12	7950220141	Flatwasher, 0.75" ID	4
13	7754000009	Retaining Ring	2
14	7295000102	Controller (6 remote operations)	1
	7295000103	Controller (7 remote operations)	
15	4706005396	Plate	1
16	4706003650	Plate	1
17	7115140650	Capscrew, 0.25"-20NC x 0.75"	5
18	7950140141	Flatwasher, 0.25" ID	5
19	7660142601	Locknut, 0.25"-20NC	5
20	7114080618	Capscrew, #8-32NC x 0.75"	4
21	7660082604	Locknut, #8-32NC	4
22	7104100613	Screw, #10-32NF x 0.34"	4
23	7661000007	Wellnut, #10-32NF	4
24	9295310026#	Transmitter (6 or 7 remote operations)	1
25	7330000612	Decal - Controller Functions	1

\* quantities are for 1 remote operation, adjust quantities for 6 or 7 remote operations

# included with Controller, item #14 (6 or 7 remote operations)

# 6 OR 7 REMOTE CONTROL OPERATIONS

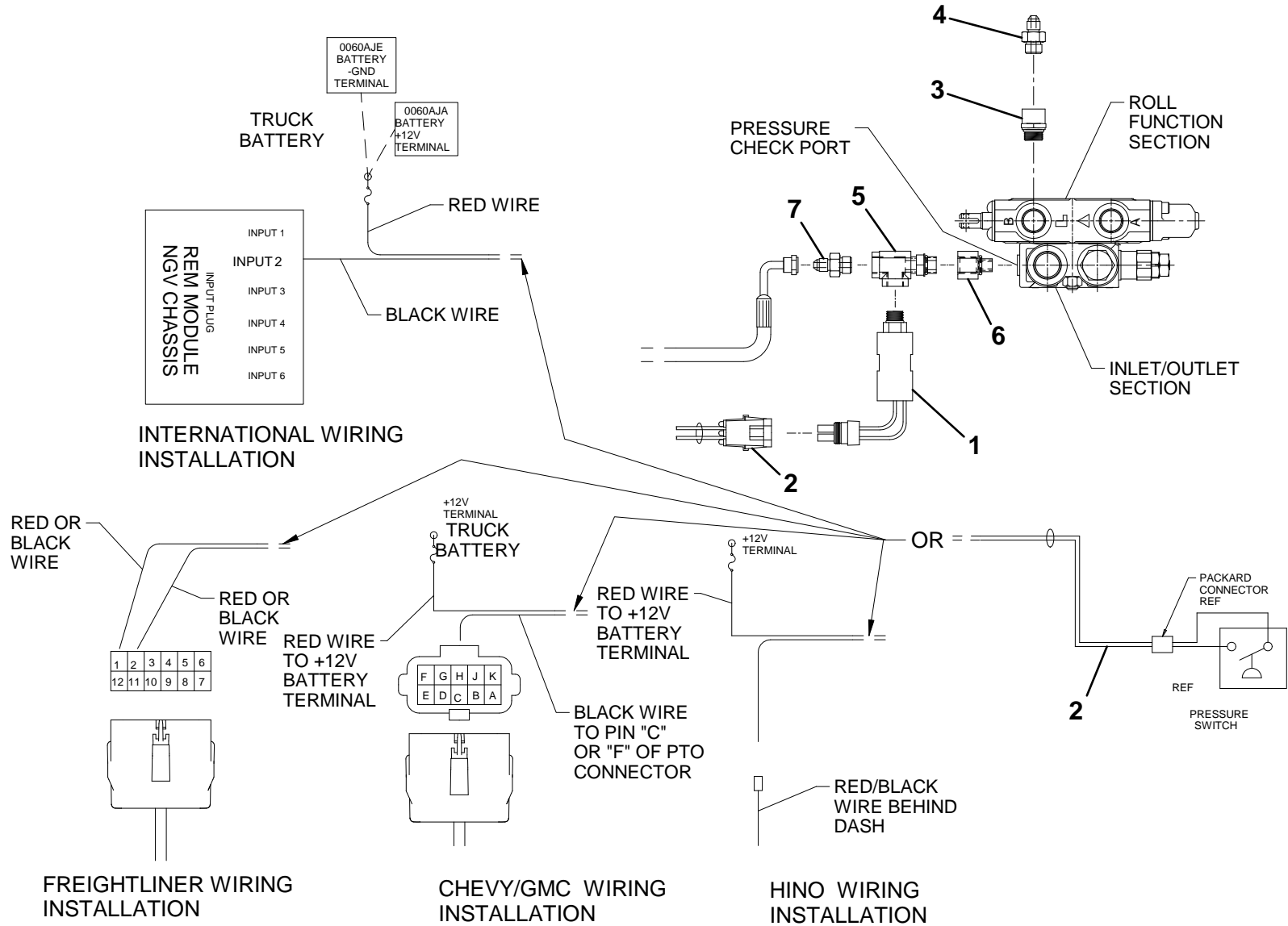


**REMOTE THROTTLE CONTROL**

ITEM	PART NO.	DESCRIPTION	QTY
1	7346000208	Pressure Switch	1
2	7552000241	Harness	1
3	7443000427*	Check Valve	1
4	7445060643*	Adapter	1
5	7443000432	Tee	1
6	7443000440	Fitting	1
7	7445040643	Adapter	1

\* also available in Check Valve w/ Adapter, P/N 7443000428.

# REMOTE THROTTLE CONTROL



**GLAD HANDS AND 7-WAY CONNECTOR**

ITEM	PART NO.	DESCRIPTION	QTY
1	4178000666*	Bracket	1
2	7115181464*	Carriage Bolt, 0.50"-13NC x 1.75"	2
3	7660182601*	Locknut, 0.50"-13NC	2
4	7346000055+	Electrical Receptacle 7-way Connect	1
5	7346000078+	Electrical Boot	1
6	7111150813+	Capscrew, 0.31"-18NC x 1.00"	2
7	7660152601+	Locknut, 0.31"-18NC	2
8	7346000132	Electrical Adapter 7 to 4 way	1
9	7346000157	Electrical Adapter 7 to 6 way	1
10	7312000015^	Gladhand	1
11	7312000016^	Gladhand	1
12	7446502518^	Bulkhead Fitting	2
13	7446382506^	Connector	2
14	7577000145^	Seal Kit Gladhand	1
15	7565000014^	Airline Tubing	50ft
16	7312000013^	Union	2

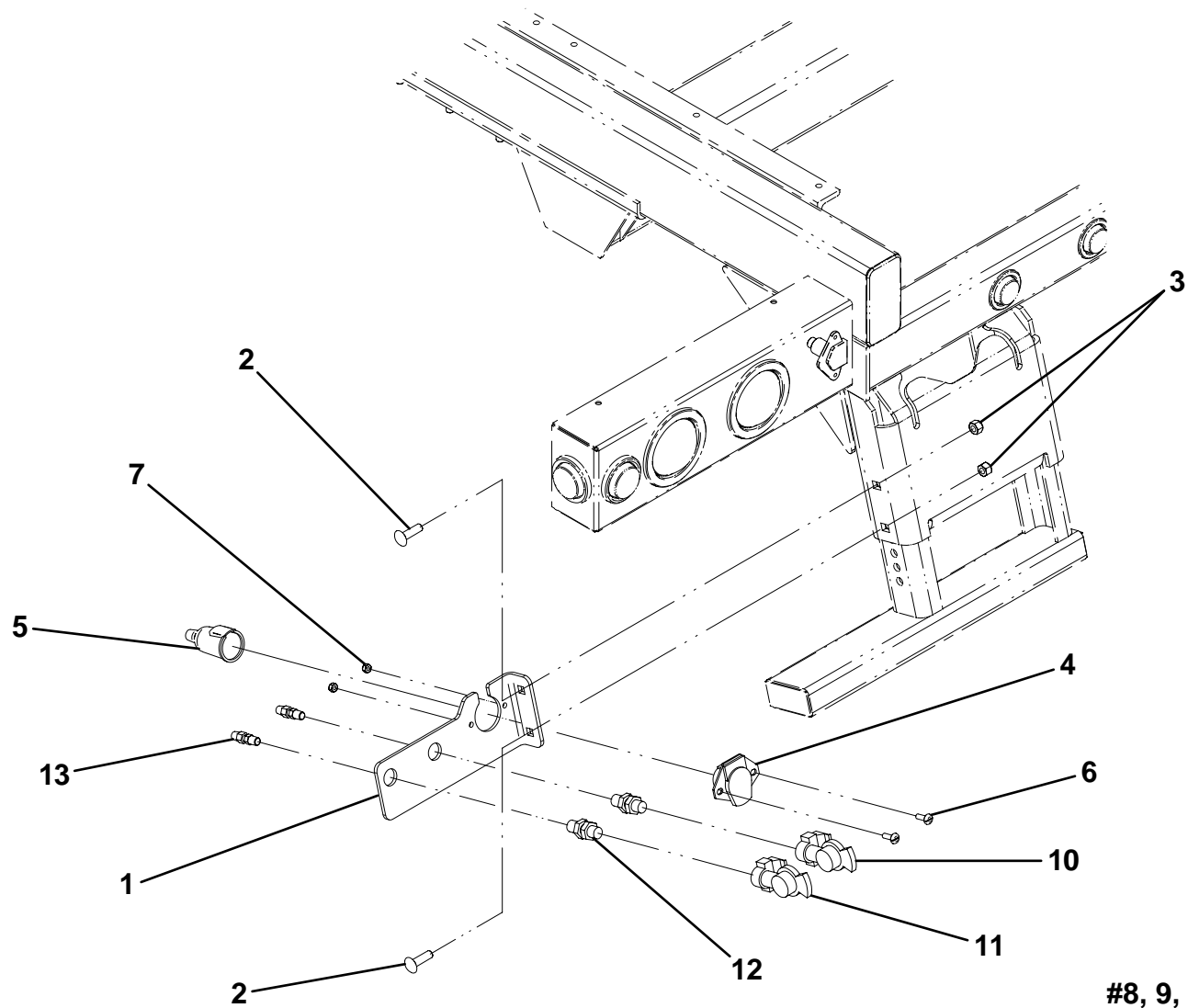
\* also available in Bracket Install Gladhands and 7 Way, P/N 2178000037

+ also available in Electrical Install 7 Way Connector, P/N 2346000008

^ also available in Gladhand Install, P/N 2002000016



# GLAD HANDS AND 7-WAY CONNECTOR

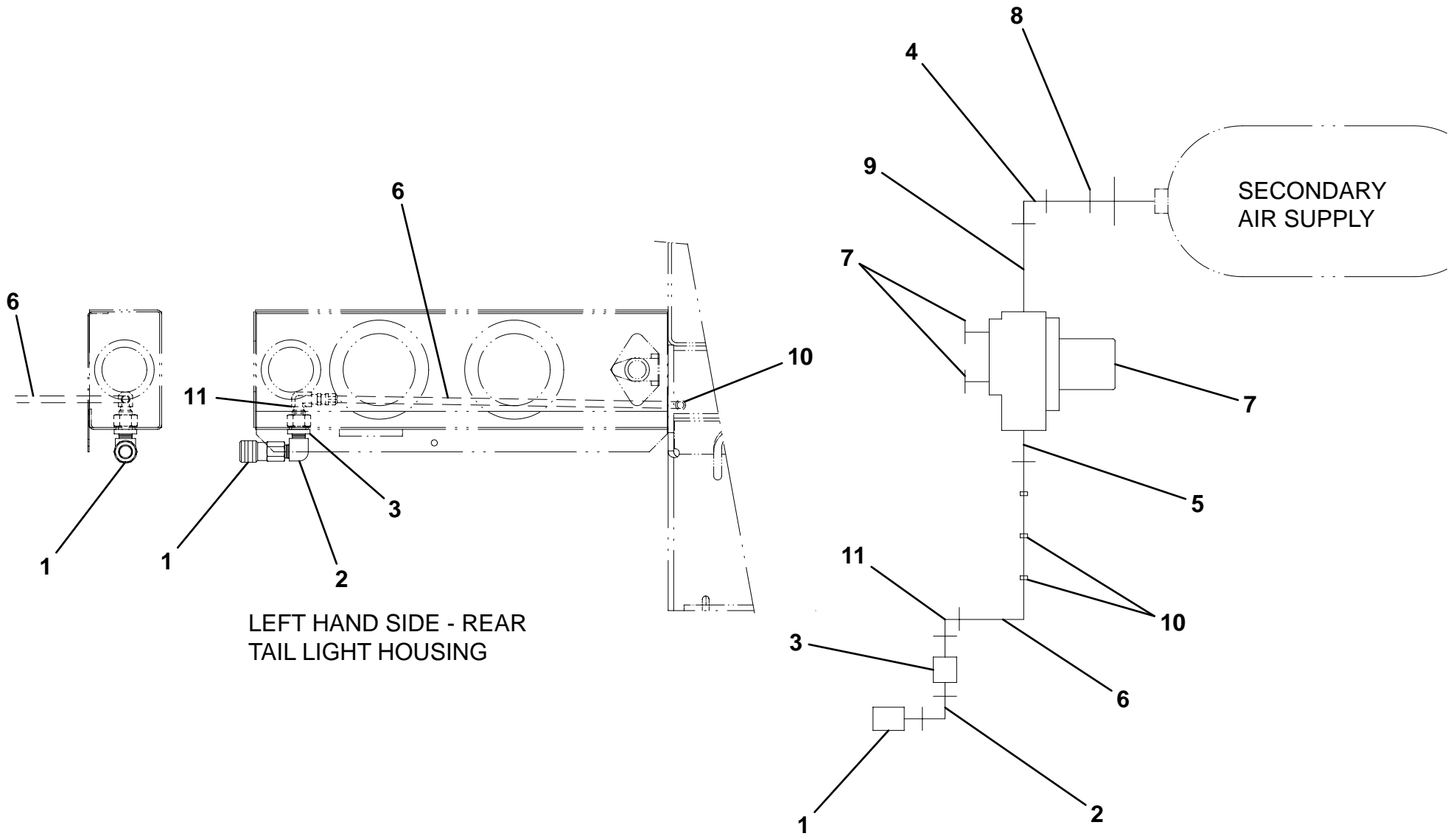


#8, 9, 14, 15 & 16 Not Shown

**AIR SUPPLY DISCONNECT**

ITEM	PART NO.	DESCRIPTION	QTY
1	7312000017	Coupling	1
2	7445080853	Elbow	1
3	7446502518	Bulkhead Fitting	1
4	7443000111	Elbow	1
5	7446382506	Connector	1
6	7565000014	Airline Tubing	32 ft
7	7935000120	Air Valve	1
8	7443000154	Bushing	1
9	7443000156	Nipple	1
10	7894000031	Cable Tie	6
11	7443000366	Fitting	1

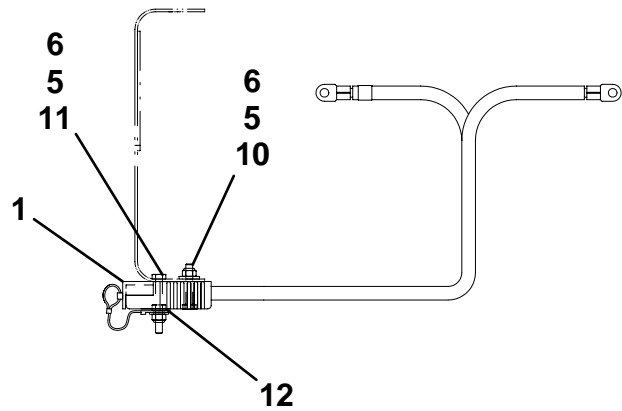
# AIR SUPPLY DISCONNECT



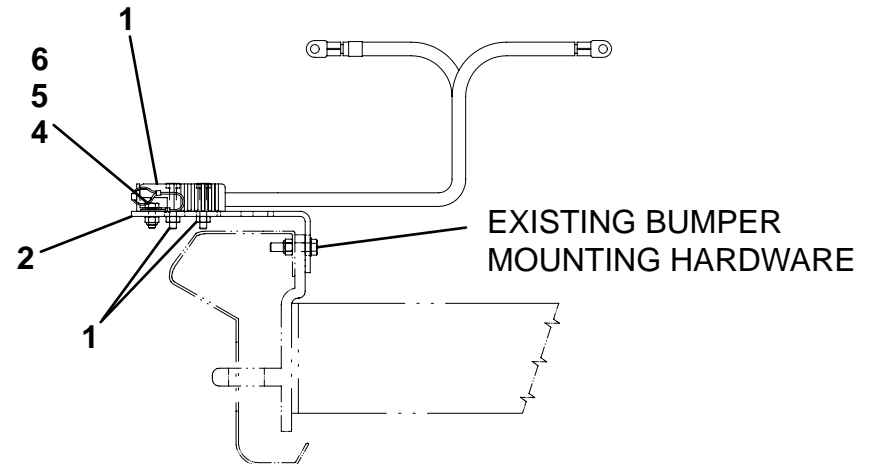
**JUMP START KIT**

ITEM	PART NO.	DESCRIPTION	QTY
1	7002000386	Jump Start Plug (IHC & Other)	1
	7002000385	Jump Start Plug (Ford & GMC)	
2	4178000372	Bracket (Ford & Other)	1
	4178000202	Bracket (GMC)	
3	4178000203	Bracket (GMC)	1
	4706003210	Plate (Other)	
4	7110140605	Capscrew, 0.25"-20NC x 0.75" (Ford, GMC & Other)	1
5	7950140161	Flatwasher, 0.25" ID (Ford & Other)	1
	7950140161	Flatwasher, 0.25" ID (IHC)	2
	7950140161	Flatwasher, 0.25" ID (GMC)	3
6	7660142600	Locknut, 0.25"-20NC (Ford, GMC & Other)	1
	7660142600	Locknut, 0.25"-20NC (IHC)	2
7	7115151064	Carriage Bolt, 0.31"-18NC x 1.25" (Other)	2
8	7950150161	Flatwasher, 0.31" ID (Other)	2
9	7660152601	Locknut, 0.31"-18NC (Other)	2
10	7115141450	Capscrew 0.25"-20NC x 1.75" (IHC)	1
11	7115141650	Capscrew, 0.25"-20NC x 2.00" (IHC)	1
12	7660140000	Hex Nut, 0.25"-20NC (IHC)	1
	7660140000	Hex Nut, 0.25"-20NC (GMC)	2
13	7111140850	Capscrew, 0.25"-20NC x 1.00" (GMC)	2
14	7115181050	Capscrew, 0.50"-13NC x 1.25" (GMC)	1
15	7950180153	Flatwasher, 0.50" ID (GMC)	1
16	7660180000	Hex Nut, 0.50"-13NC (GMC)	1

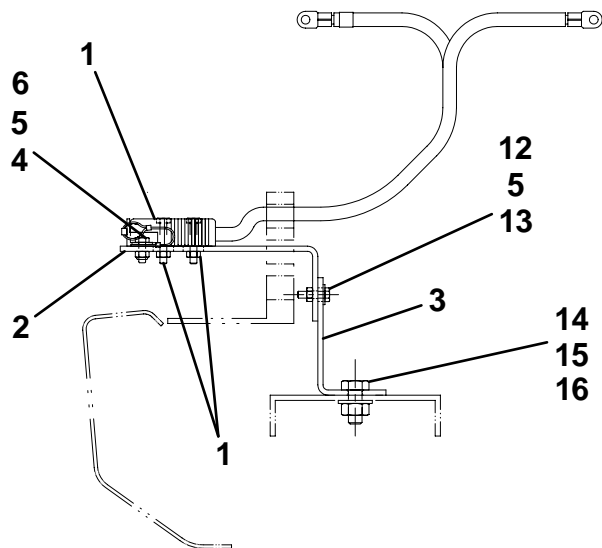
# JUMP START KIT



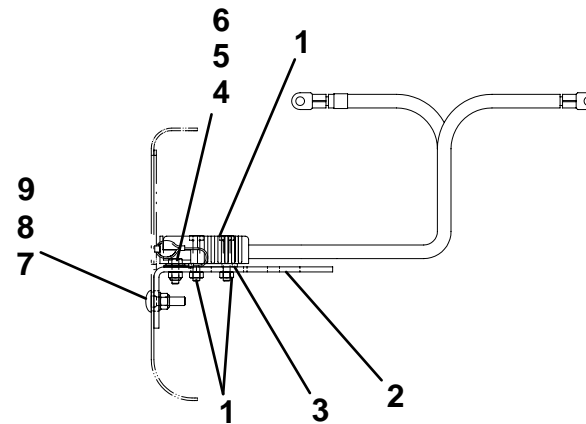
IHC FRONT BUMPER



FORD FRONT BUMPER



CHEVY FRONT BUMPER

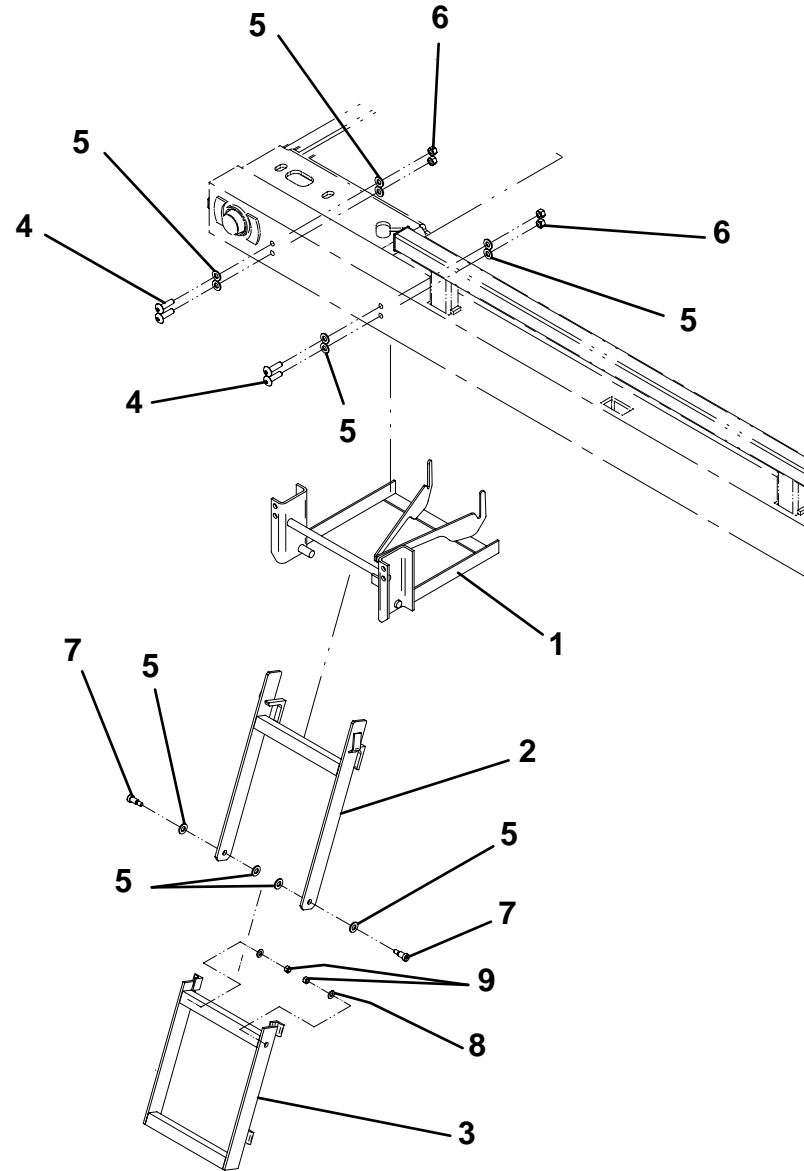


ALL OTHER FRONT BUMPERS

**FOLDING DECK LADDER**

ITEM	PART NO.	DESCRIPTION	QTY
1	3178000555	Bracket Weld	1
2	3002000009	Ladder Top Weld	1
3	3002000008	Ladder Bottom Weld	1
4	7114181418	Capscrew, 0.50"-13NC x 1.75"	4
5	7950180141	Flatwasher, 0.50" ID	12
6	7660182601	Locknut, 0.50"-13NC	4
7	7115180606	Shoulder Bolt, 0.50"-13NC x 0.75"	2
8	7950160161	Flatwasher, 0.38" ID	2
9	7660162601	Locknut, 0.38"-16NC	2

# FOLDING DECK LADDER



**CHAINS AND STRAPS**

ITEM	PART NO.	DESCRIPTION	QTY
1	7262000022*	Winch V-Chain	1
2	7262000056*	Front Tie-Down Chain	2
3	7894000019*	Rear Tie-Down Strap	2
4	7894000020*	Rear Tie-Down Ratchet	2
5	7262000040	Wheel Lift Chain	2
6	7894000034+	Wheel Lift Tire Strap	2
7	7262000010	Towbar Chain	2
8	7894000058^	Tire Strap (hydraulic Grid)	1
9	7894000059^	Choker (hydraulic Grid)	1
10	7894000028^	Ratchet (hydraulic Grid)	1
11	7561000024^	Forged Hook (hydraulic Grid)	1
12	7115181664	Carriage Bolt, 0.50"-13NC x 2.00"	2
13	7660180001	Nut, 0.50"-13NC	2
14	7660182601	Locknut, 0.50"-13NC	2
15	5525000752	Magnetic Tow Lights	1
16	7894000073	8 Point Tie-Down Kit	1

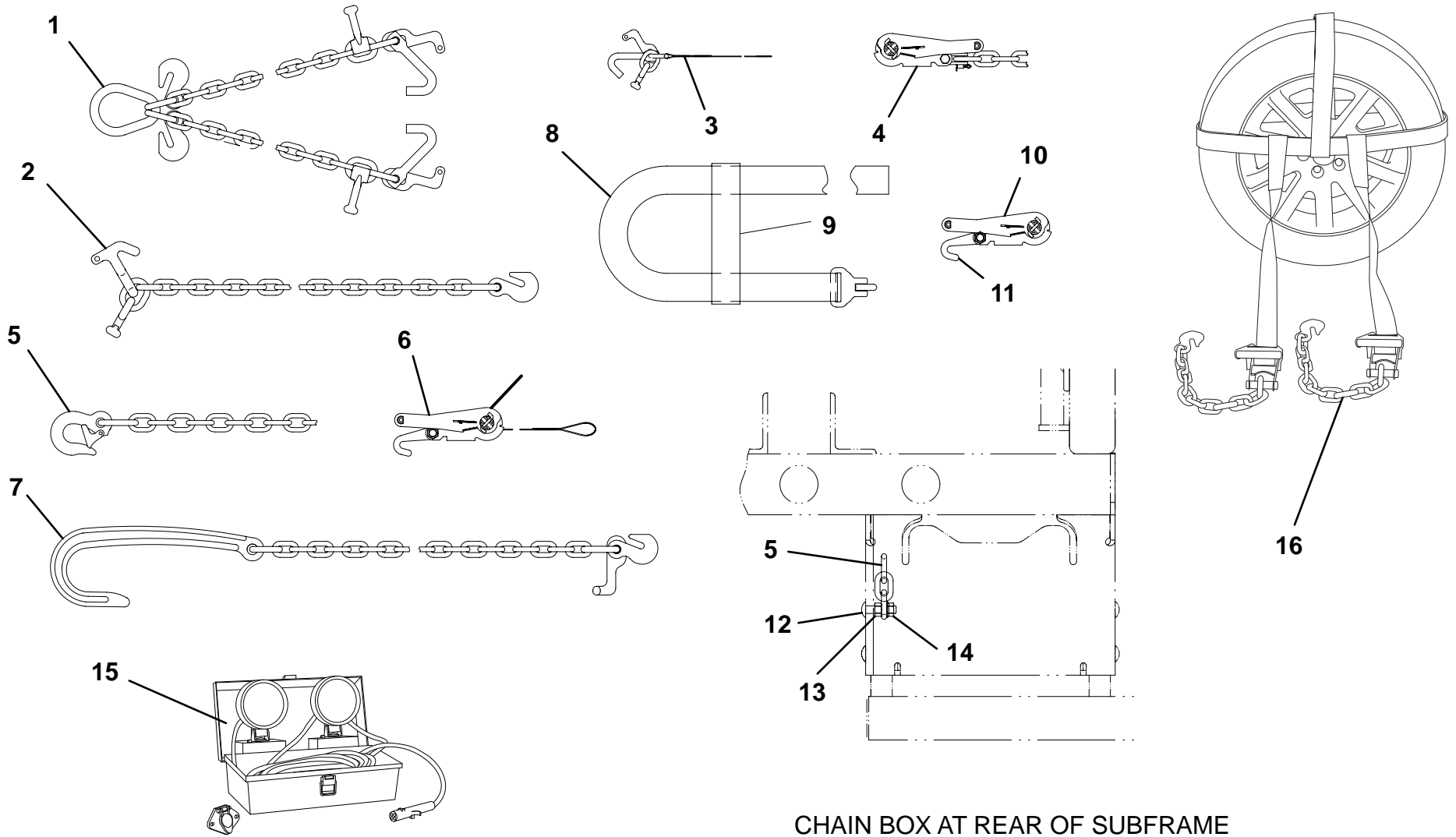
\* also available in Deck Chain / Tie-Down Kit, P/N 7577000208

^ also available in Hydraulic Grid Wheel Lift Tie-Down Kit, P/N 7577000376

+ also available in Wheel Lift Tie-Down Strap and Ratchet Kit, P/N  
7577000242



# CHAINS AND STRAPS

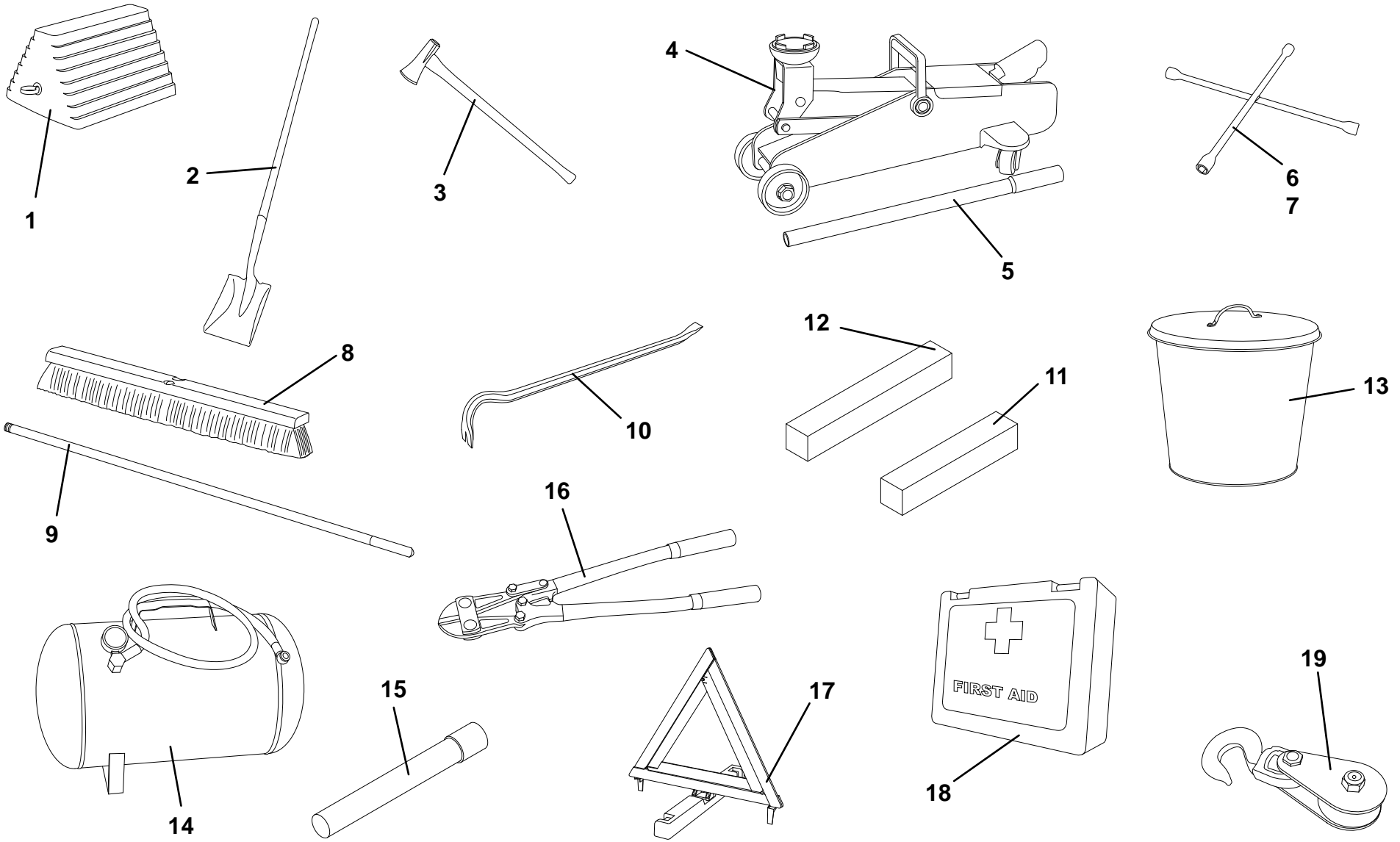


**TOWING SAFETY TOOLS**

ITEM	PART NO.	DESCRIPTION	QTY
1	9002000141*	Wheel Chock	1
2	9900000001*	Shovel	1
3	9900000006*	Maul Axe	1
4	9900000004*	Floor Jack -2.5 Ton	1
5	9900000005*	Floor Jack Handle	1
6	9900000007*	Lug Wrench - Metric	1
7	9900000008*	Lug Wrench - SAE	1
8	9900000002*	Broom Head	1
9	9900000003*	Broom Handle	1
10	9900000009*	Pry Bar	1
11	9611000001*	Wood Crossbeam-4'	1
12	9611000002*	Wood Crossbeam-5'	1
13	9002000142*	Trash Can - 4 Gallon	2
14	9890000002*	Air Tank - 5 Gallon	1
15	9002000143*	Flare - 30 Minute	6
16	9900000010*	Bolt Cutters -24"	1
17	9002000144*	Triangle Flare Kit	1
18	9002000145*	First AID Kit -25 Person	1
19	9900000008*	Snatch Block w/ Hook	1

\* also available in Towin Safety Tools Kit, P/N 3577000120

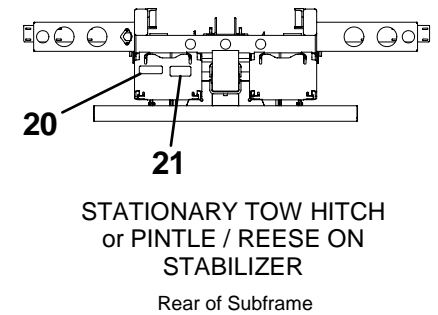
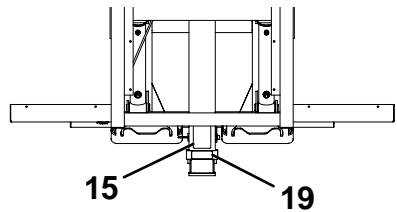
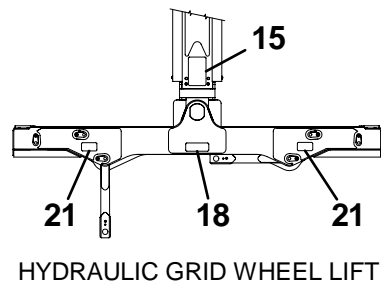
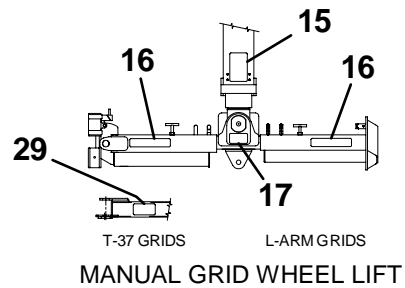
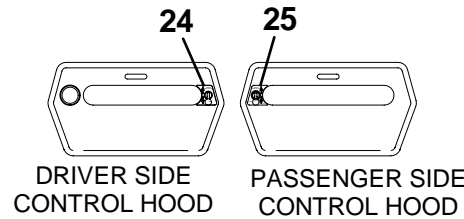
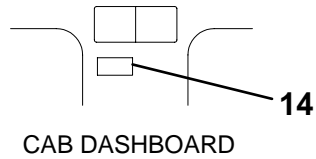
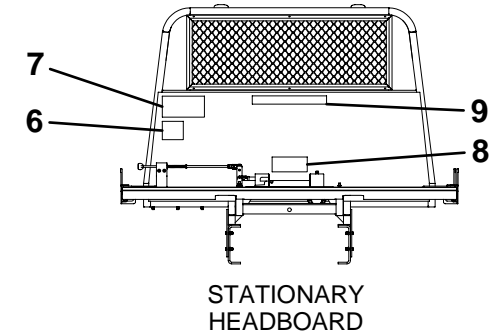
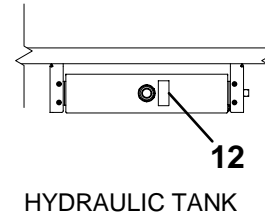
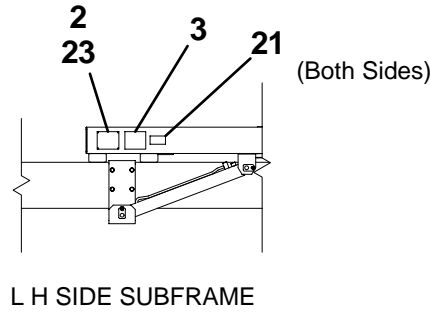
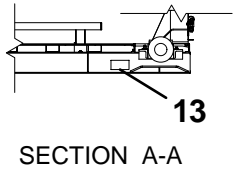
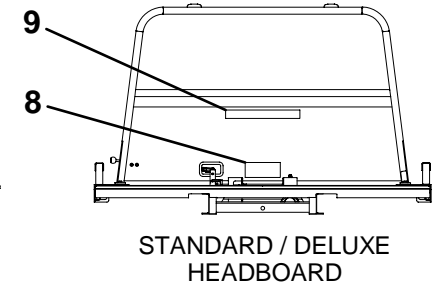
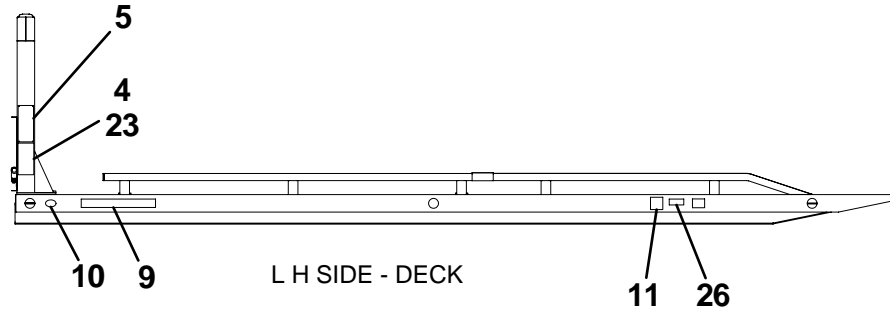
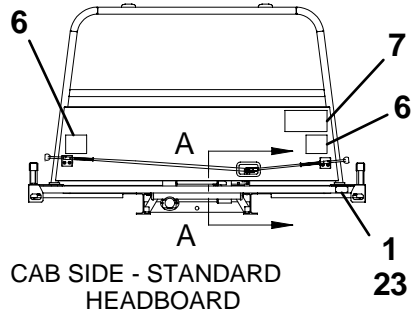
# TOWING SAFETY TOOLS



**DECALS**

ITEM	PART NO.	DESCRIPTION	QTY
1	1001127221	Serial Number Tag	1
2	1001132766	Subframe / Patent Tag	1
3	1001168591	Decal - Slide Pad / Pivot Joint	1
4	1001132764	STAR Placard	1
5	7330000275	Decal - Operator's Pre-Checklist	1
6	7330000242	Decal - Free Spool (bolt-on headboard)	1
	7330000495	Decal - Free Spool (stationary headboard)	
	1001156252	Decal - Dual Free Spool	2
7	7330000478	Decal - Lubrication Chart	1
8	7330000012	Decal - Winch	1
9	1001153789	Jerr-Dan Nameplate	2
10	7330000143	Decal - Made In The USA	1
11	7330000044	Decal - Align Arrow, Red	2
	7330000045	Decal - Align Arrow, White	
12	7330000272	Decal - Oil Level	1
13	7330000330	Decal - Cable Track	1
14	7330000139	Decal - Checklist Reminder	1
15	7330000684	Decal - Safety	1
16	7330000683	Decal - Safety	2
17	7330000060	Decal - Wheel Lift Hitch	1
18	7330000036	Secure Vehicle	2
19	7330000391	Decal - Tow Boom Configuration	1
20	7330000274	Decal - Overloading Tow Option	1
21	7330000599	Decal - Pinch Point	3
22	9330740009	Decal Kit - Muncie PTO	1
23	7759000004	Pop Rivet	12
24	7330000675	Decal - Air Free Spool Control, LH	1
25	7330000676	Decal - Air Free Spool Control, RH	1
26	7330000176	Decal - Air Suspension	1
27	7330000628	Decal - Control Switch (F550 only)	1
28	7330000700	Decal - PTO Operation (LCF & CF600 only)	1
29	7330000385	Decal - T37 Grids	2

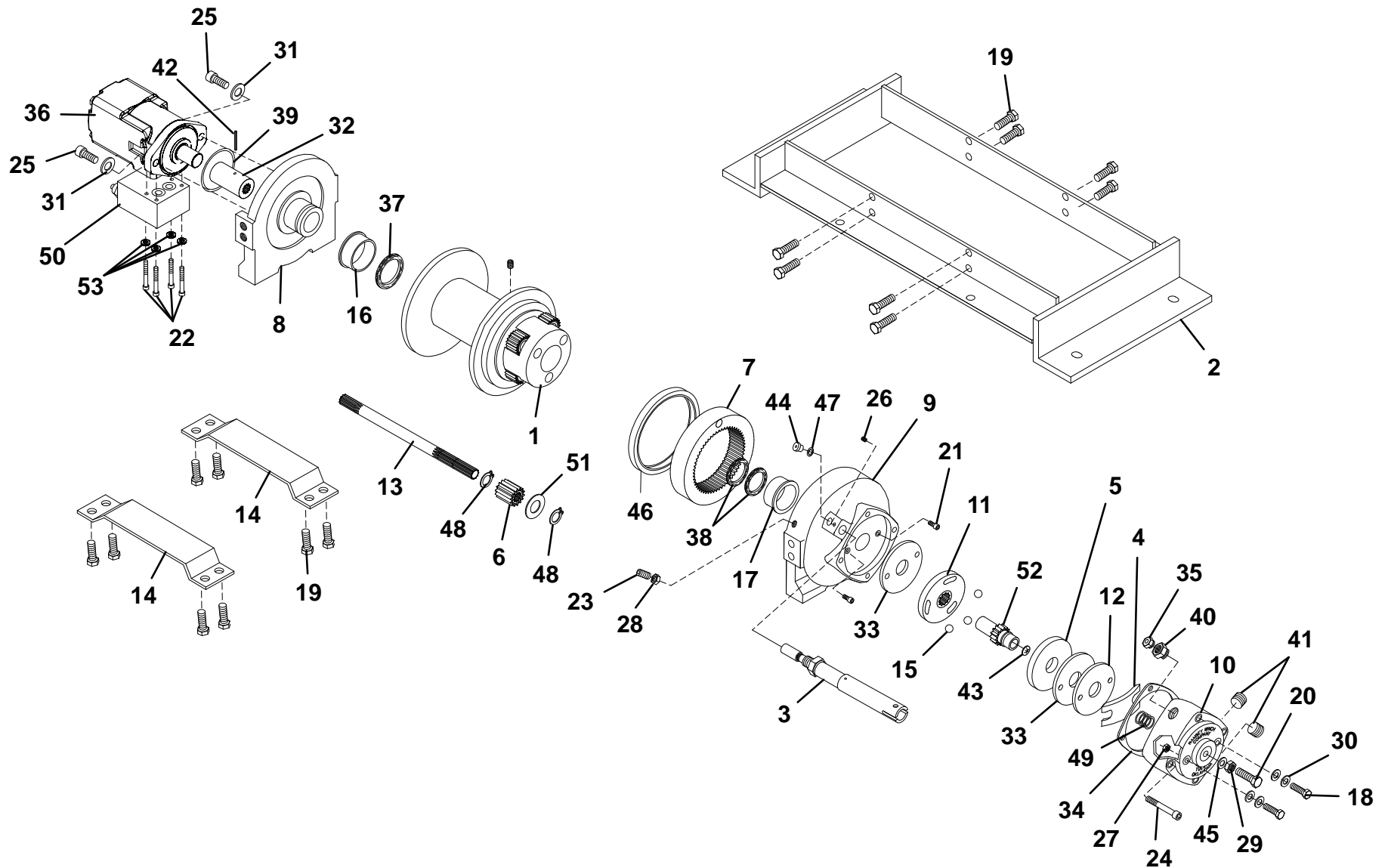
# DECALS



**WINCH - 8K PLANETARY GEAR W/MANUAL FREESPOOL - 7970000056**

ITEM	PART NO.	DESCRIPTION	QTY	ITEM	PART NO.	DESCRIPTION	QTY
1	9970280019	Drum Assembly - Y	1	40	9970468002	Reducer	1
2	9970960057	Frame Assembly	1	41	9701960015	Plug, Pipe	2
3	9587960009	Shifter Assembly	1	42	9691960001	Pin, Spiral	1
4	9843960027	Spring - Flat, Brake	1	43	9701960014	Plug	1
5	70050031	Cam Plate - Brake "A" Rotation	1	44	9701960016	Plug	1
6	9472960042	Gear - Output, Sun	1	45	9796960123	Seal	1
7	9472960043	Gear - Ring	1	46	9796960049	Seal - Gear Housing	1
8	9082960033	End Bearing - Motor	1	47	9812960005	Shim	1
9	70050616	Housing - Gear, End Bearing	1	48	9754960039	Snap Ring	2
10	70050690	Housing - Brake	1	49	9970494010	Spring	1
11	9706960084	Hub - Plate	1	50	9935960023	Valve - Counterbalance ("A" Rotation)	1
12	9706960028	Retaining Plate	1	51	9949960017	Washer - Thrust	1
13	9806960017	Shaft - Input "Y"	1	52	9806960031	Brake - Shaft	1
14	70050691	Tie Plate "Y"	2	53	9970418163	Lockwasher, 0.31" ID	4
15	9970400007	Ball	3				
16	9209960022	Bushing - Drum, Motor End	1				
17	9209960023	Bushing - Drum, Gear	1				
18	9120960021	Bolt, 0.38"-16NC x 1.75"	2				
19	9120960025	Capscrew, 0.50"-13NC x 0.75"	16				
20	9120960023	Bolt, 0.50"-13NC x 2.25"	1				
21	9120960022	Capscrew, 0.25"-20NC x 0.50"	2				
22	70050619	Capscrew, 0.31"-18NC x 2.50"	4				
23	9786960066	Setscrew, 0.38"16NC x 1.00"	1				
24	9120960026	Capscrew, 0.38"-16NC x 2.75"	4				
25	9120960061	Capscrew, 0.50"-13NC x 1.50"	2				
26	7785140404	Setscrew, 0.25"-20NC x 0.25"	1				
27	7660160001	Hexnut, .038"-16NC	4				
28	70050628	Jamnut, 0.38"-16NC	1				
29	7660180201	Jamnut, 0.50"-13NC	1				
30	9970418184	Flatwasher, 0.38" ID	4				
31	9949960031	Lockwasher, 0.50" ID	2				
32	9309960009	Coupling - Hydraulic Motor	1				
33	9706960029	Plate - Brake	2				
34	9796960047	Gasket - Brake Housing	1				
35	9970456008	Fitting, Relief	1				
36	70050692	Motor, Hydraulic	1				
37	9796960050	O-Ring	1				
38	9796960048	Quad Ring	2				
39	9796960051	O-Ring	1				

# WINCH - 8K PLANETARY GEAR W/MANUAL FREESPOOL - 7970000056

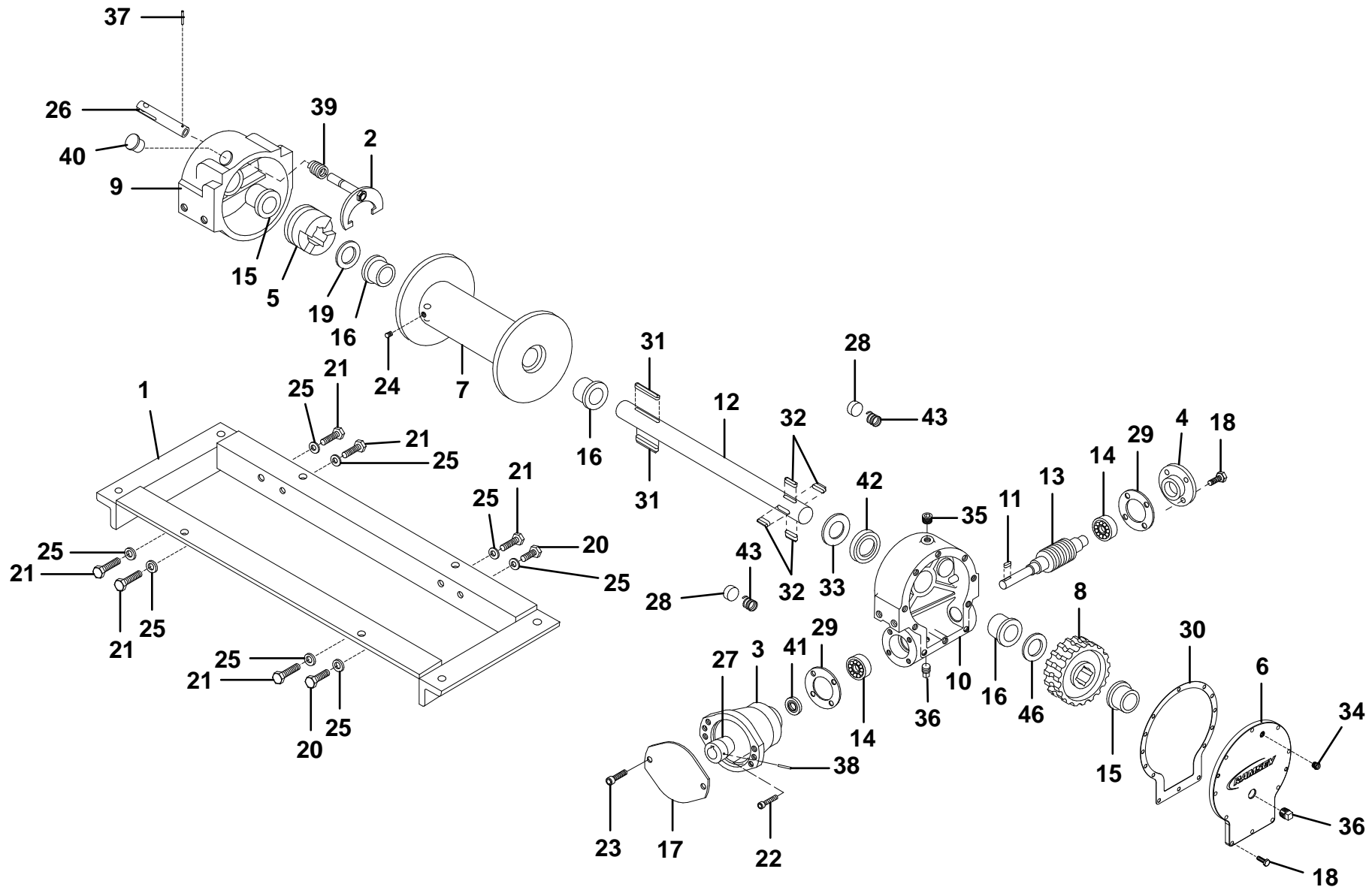


**WINCH - 8K WORM GEAR W/ MANUAL FREESPOOL - 797000121**

ITEM	PART NO.	DESCRIPTION	QTY	ITEM	PART NO.	DESCRIPTION	QTY
1	70050694	Frame Assembly	1	40	9970472013	Plug	1
2	70050678	Shifter Assembly	1	41	9970486009	Seal, Oil	1
3	9970300057	Adapter	1	42	9970486017	Seal, Oil	1
4	9970316083	Bearing Cap	1	43	9970494002	Spring	2
5	9970960060	Jaw Clutch	1				
6	9314960024	Cover - Gear Housing	1				
7	9970960068	Drum - "Std"	1				
8	9472960072	Gear R.H. 34:1	1				
9	9560960021	Housing - Clutch	1				
10	9560960011	Housing - Gear	1				
11	9970342027	Key	1				
12	9806960009	Shaft - Drum "Std"	1				
13	9970960062	Worm R.H. 34:1	1				
14	9970402002	Bearing - Ball	2				
15	9970412003	Bushing	4				
16	9970412045	Bushing	4				
17	70050679	Adapter Cover	1				
18	9970414045	Capscrew, 0.25"-20NC x 0.88"	14				
19	9970518015	Washer - Thrust	1				
20	9120960034	Bolt, 0.38"-16NC x 1.00" Lg	2				
21	9120960059	Capscrew, 0.38"-16NC x 1.25"	6				
22	70050682	Capscrew, 0.25"-20NC x 1.75"	4				
23	9120960061	Capscrew, 0.50"-13NC x 1.50"	2				
24	9786960015	Setscrew, 0.38"-16NC x 0.50"	1				
25	9970418177	Lockwasher, 0.38" ID	8				
26	9007960003	Adapter - Rod	1				
27	9970431008	Coupling	1				
28	9970330010	Disc Brake	2				
29	9970442184	Gasket	2				
30	9970442205	Gasket	1				
31	9970450006	Barth Key	2				
32	9575960014	Barth Key	4				
33	9970518014	Washer - Thrust	1				
34	9970456008	Fitting, Relief	1				
35	9701960015	Plug, Pipe	1				
36	9970468011	Plug, Pipe	2				
37	9691960035	Pin, Spiral	1				
38	9691960001	Pin, Spiral	1				
39	9970494053	Spring	1				



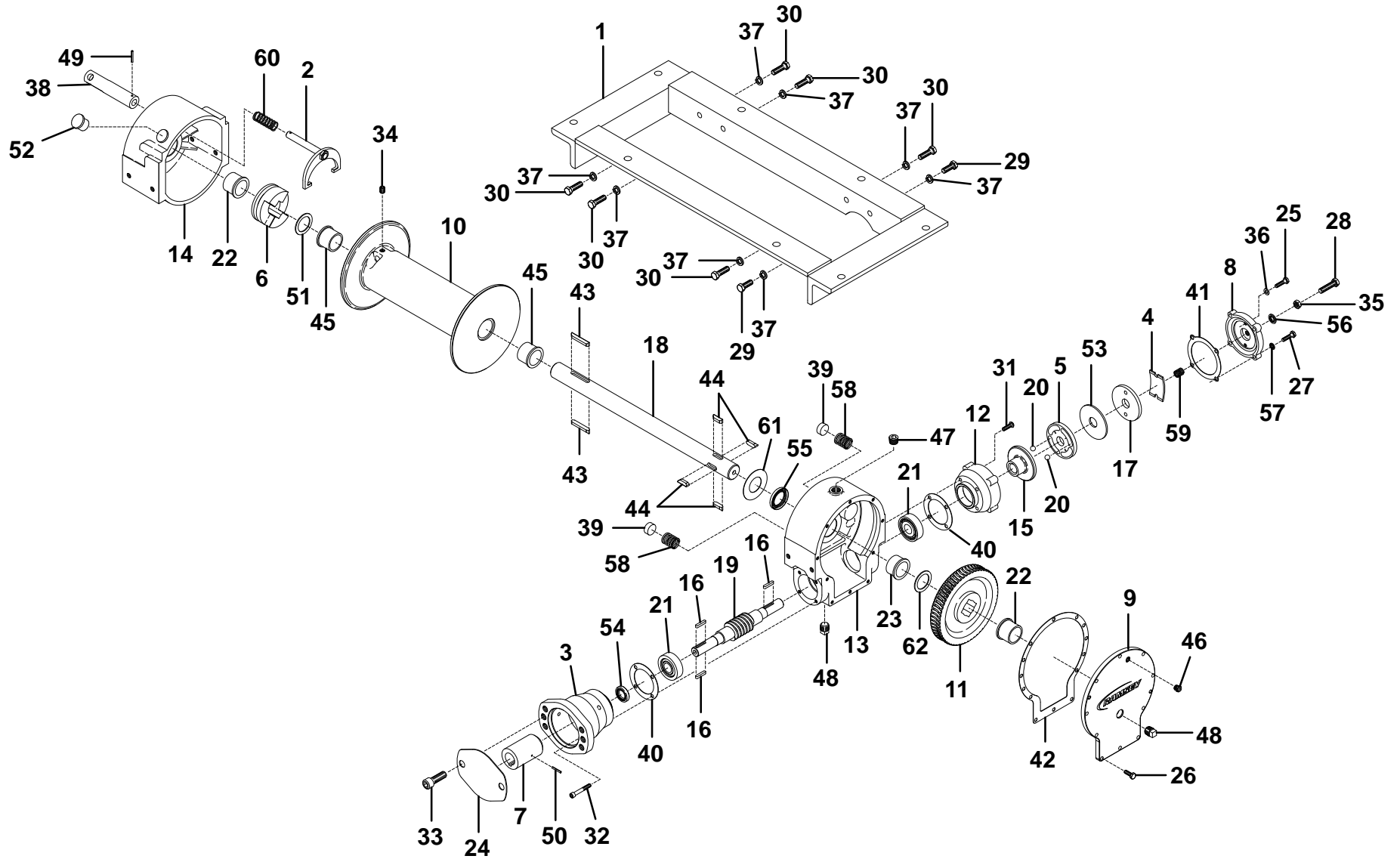
# WINCH - 8K WORM GEAR W/ MANUAL FREESPOOL - 7970000121



**WINCH -10K WORM GEAR W/ MANUAL FREESPOOL - 7970000123**

ITEM	PART NO.	DESCRIPTION	QTY	ITEM	PART NO.	DESCRIPTION	QTY
1	70050677	Frame Assembly	1	40	9970442184	Gasket	2
2	70050678	Shifter Assembly	1	41	9796960139	Gasket	1
3	9970300057	Adapter	1	42	9970442205	Gasket	1
4	9970960036	Spring - Flat	1	43	9970450006	Barth Key	2
5	1001126187	Plate - Cam	1	44	9575960014	Barth Key	4
6	9970960060	Jaw Clutch	1	45	9970412045	Bushing	2
7	9309960020	Coupling	1	46	9970456008	Fitting, Relief	1
8	9970960034	Cover - Brake	1	47	9701960015	Plug, Pipe	1
9	9314960024	Cover - Gear Housing	1	48	9970468011	Plug, Pipe	2
10	9970960068	Drum - Cable	1	49	9691960035	Pin, Spiral	1
11	9472960068	Gear R.H. 30:1	1	50	9691960001	Pin, Spiral	1
12	9571960010	Housing - Brake	1	51	9970518015	Washer - Thrust	2
13	9560960011	Housing - Gear	1	52	9970472013	Plug	1
14	9560960021	Housing - Clutch	1	53	9970960037	Plate - Thrust	1
15	1001126188	Hub- Brake	1	54	9970486009	Seal, Oil	1
16	9970342027	Key	3	55	9970486017	Seal, Oil	1
17	1001126192	Plate - Retainer	1	56	9796960176	Seal, Thread	1
18	9970960051	Shaft - Drum	1	57	9796960177	Seal, Thread	4
19	9472960069	Worm R.H. 30:1	1	58	9970494002	Spring	2
20	9970400003	Ball	2	59	9970960035	Spring	1
21	9970402002	Bearing - Ball	2	60	9970494053	Spring	1
22	9970412003	Bushing	4	61	9970518014	Washer - Thrust	1
23	9970960052	Bushing	1				
24	70050679	Cover - Adapter	1				
25	9970960038	Capscrew, 0.25"-20NC x 1.00" All Thrd	2				
26	9970414045	Capscrew, 0.25"-20NC x 0.75"	10				
27	70050680	Capscrew, 0.25"-20NC x 1.00"	4				
28	9120960075	Capscrew, 0.38"-16NC x 1.50"	1				
29	9120960034	Capscrew, 0.38"-16NC x 1.00"	2				
30	9120960059	Capscrew, 0.38"-16NC x 1.25"	6				
31	70050681	Capscrew, 0.25"-20NC x 0.88"	4				
32	70050682	Capscrew, 0.25"-20NC x 1.75"	4				
33	9120960061	Capscrew, 0.50"-13NC x 1.50"	2				
34	9786960015	Setscrew, 0.38"-16NC x 0.50"	1				
35	70050628	Jamnut, 0.38"-16NC	1				
36	9949960054	Flatwasher, 0.25" ID	2				
37	9970418177	Lockwasher, 0.38" ID	8				
38	9007960003	Adapter - Rod	1				
39	9970330010	Disc - Brake	2				

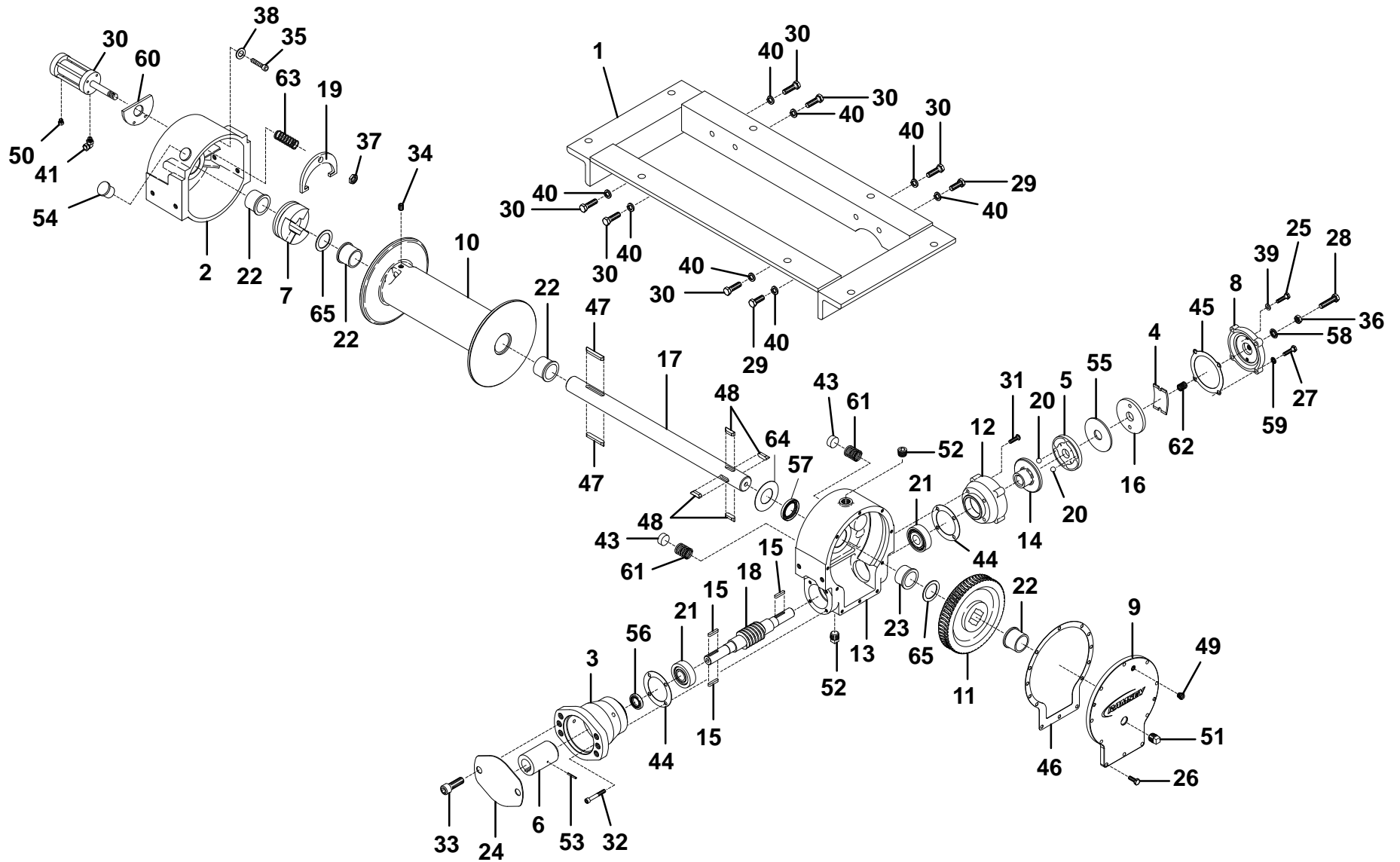
# WINCH -10K WORM GEAR W/ MANUAL FREESPOOL - 7970000123



**WINCH -10K WORM GEAR W/ AIR FREESPOOL - 7970000140**

ITEM	PART NO.	DESCRIPTION	QTY	ITEM	PART NO.	DESCRIPTION	QTY
1	70050677	Frame Assembly	1	40	9970418177	Lockwasher, 0.38" ID	8
2	70050684	Housing - Clutch	1	41	9443960021	Fitting, Elbow	1
3	9970300057	Adapter	1	42	70050065	Cylinder, Air	1
4	9970960036	Spring - Flat	1	43	9970330010	Disc - Brake	2
5	1001126187	Plate - Cam	1	44	9970442184	Gasket	2
6	9309960020	Coupling	1	45	9796960139	Gasket	1
7	9970960060	Jaw Clutch	1	46	9970442205	Gasket	1
8	9970960034	Cover - Brake	1	47	9970450006	Barth Key	2
9	9314960024	Cover - Gear Housing	1	48	9575960014	Barth Key	4
10	9970960068	Drum - Cable	1	49	9970456008	Fitting, Relief	1
11	9472960068	Gear R.H. 30:1	1	50	9183960002	Breather Vent	1
12	9571960010	Housing - Brake	1	51	9970468011	Plug, Pipe	2
13	9560960011	Housing - Gear	1	52	9701960015	Plug, Pipe	1
14	1001126188	Hub- Brake	1	53	9691960001	Pin, Spiral	1
15	9970342027	Key	3	54	9970472013	Plug	1
16	1001126192	Plate - Retainer	1	55	9970960037	Plate - Thrust	1
17	9970960051	Shaft - Drum	1	56	9970486009	Seal, Oil	1
18	9472960069	Worm R.H. 30:1	1	57	9970486017	Seal, Oil	1
19	70050685	Yoke	1	58	9796960176	Seal, Thread	1
20	9970400003	Ball	2	59	9796960177	Seal, Thread	4
21	9970402002	Bearing - Ball	2	60	70050689	Shim	1
22	9970412003	Bushing	4	61	9970494002	Spring	2
23	9970960052	Bushing	1	62	9970960035	Spring	1
24	70050679	Cover - Adapter	1	63	9970494053	Spring	1
25	9970960038	Capscrew, 0.25"-20NC x 1.00" All Thrd	2	64	9970518014	Washer - Thrust	1
26	9970414045	Capscrew, 0.25"-20NC x 0.75"	10	65	9970518015	Washer - Thrust	2
27	70050680	Capscrew, 0.25"-20NC x 1.00"	4	66	9970412045	Bushing	2
28	9120960075	Capscrew, 0.38"-16NC x 1.50"	1				
29	9120960034	Capscrew, 0.38"-16NC x 1.00"	2				
30	9120960059	Capscrew, 0.38"-16NC x 1.25"	6				
31	70050681	Capscrew, 0.25"-20NC x 0.88"	4				
32	70050682	Capscrew, 0.25"-20NC x 1.75"	4				
33	9120960061	Capscrew, 0.50"-13NC x 1.50"	2				
34	9786960015	Setscrew, 0.38"-16NC x 0.50"	1				
35	70050686	Screw, #6-32NC x 1.00"	4				
36	70050628	Jamnut, 0.38"-16NC	1				
37	70050687	Locknut, 0.38"-16NC ID	1				
38	70050688	Lockwasher, #6 ID	4				
39	9949960054	Flatwasher, 0.25" ID	2				

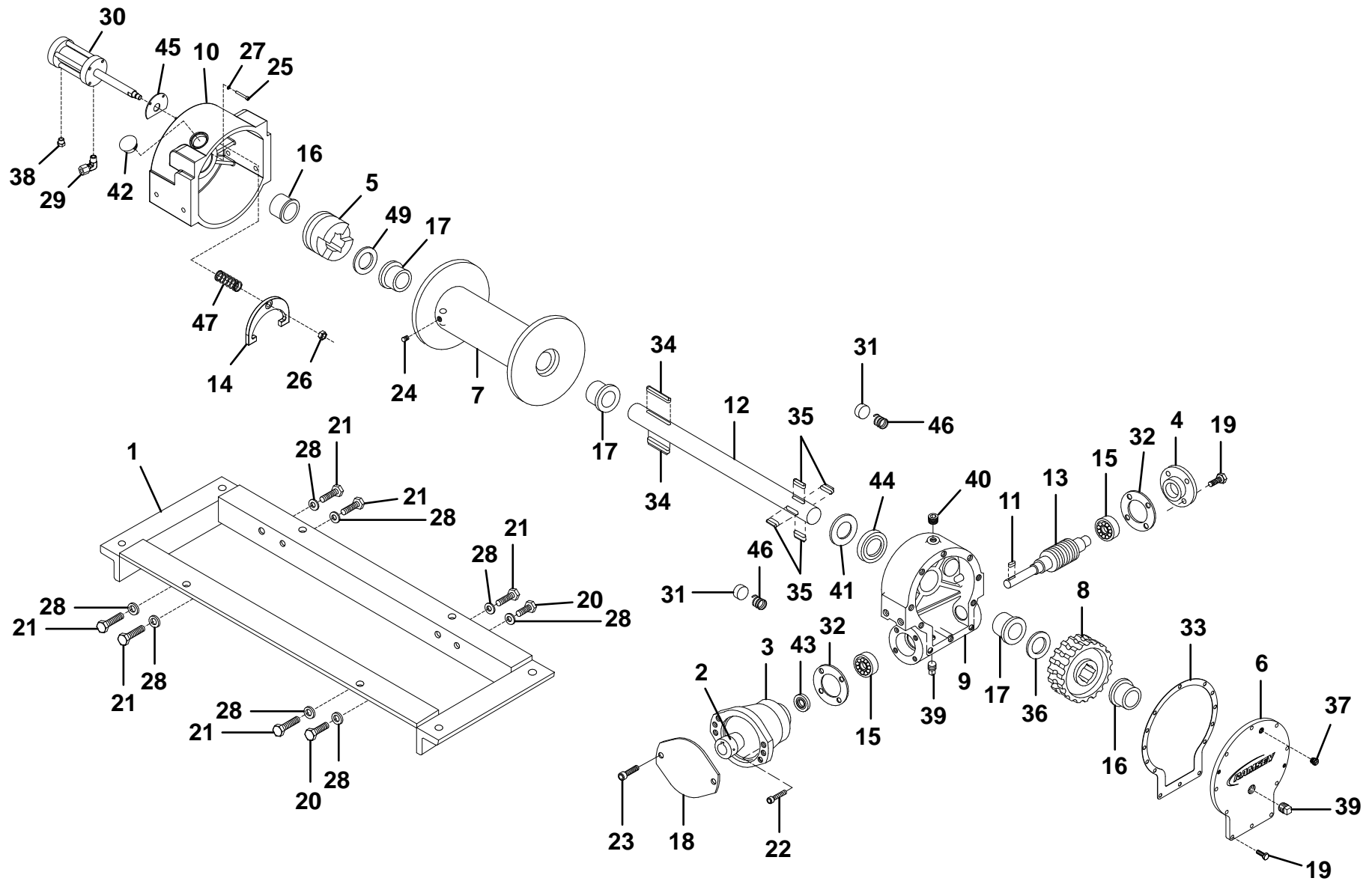
# WINCH -10K WORM GEAR W/ AIR FREESPOOL - 7970000140



**WINCH - 8K WORM GEAR W/ AIR FREESPOOL - 7970000142**

ITEM	PART NO.	DESCRIPTION	QTY	ITEM	PART NO.	DESCRIPTION	QTY
1	70050694	Frame Assembly	1	40	9701960015	Plug, Pipe	1
2	70050695	Coupling Assembly	1	41	9970518014	Washer - Thrust	1
3	9970300057	Adapter	1	42	9970472013	Plug	1
4	9970316083	Bearing Cap	1	43	9970486009	Seal, Oil	1
5	9970960060	Jaw Clutch	1	44	9970486017	Seal, Oil	1
6	9314960024	Cover - Gear HSG	1	45	70050689	Shim	1
7	9970960068	Drum - "Std"	1	46	9970494002	Spring	2
8	9472960072	Gear, Worm	1	47	9970494053	Spring	1
9	9560960011	Housing - Gear	1				
10	70050696	Housing - Clutch	1				
11	9970342027	Key	1				
12	9806960009	Shaft - Drum	1				
13	9970960062	Worm	1				
14	70050697	Yoke	1				
15	9970402002	Bearing - Ball	2				
16	9970412003	Bushing	2				
17	9970412045	Bushing	3				
18	70050679	Adapter Cover	1				
19	9970414045	Capscrew, 0.25"-20NC x 0.88"	14				
20	9120960034	Bolt, 0.38"-16NC x 1.00"	2				
21	9120960059	Capscrew, 0.38"-16NC x 1.25"	6				
22	70050682	Capscrew, 0.25"-20NC x 1.75"	4				
23	9120960061	Capscrew, 0.50"-13NC x 1.50"	2				
24	9786960015	Setscrew, 0.38"-16NC x 0.50"	1				
25	70050686	Screw, #6-32NC x 1.00"	4				
26	70050687	Locknut, 0.38"-16NC ID	1				
27	70050688	Lockwasher, #6 ID	4				
28	9970415177	Lockwasher, 0.38" ID	8				
29	70050698	Fitting, Elbow	1				
30	70050065	Cylinder, Air	1				
31	9970330010	Disc Brake	2				
32	9970442184	Gasket	2				
33	9970442205	Gasket	1				
34	9970450006	Key	2				
35	9575960014	Key	4				
36	9970518015	Washer - Thrust	2				
37	9970456008	Fitting, Relief	1				
38	9183960002	Breather Vent	1				
39	9970468011	Plug, Pipe	3				

# WINCH - 8K WORM GEAR W/ AIR FREESPOOL - 7970000142

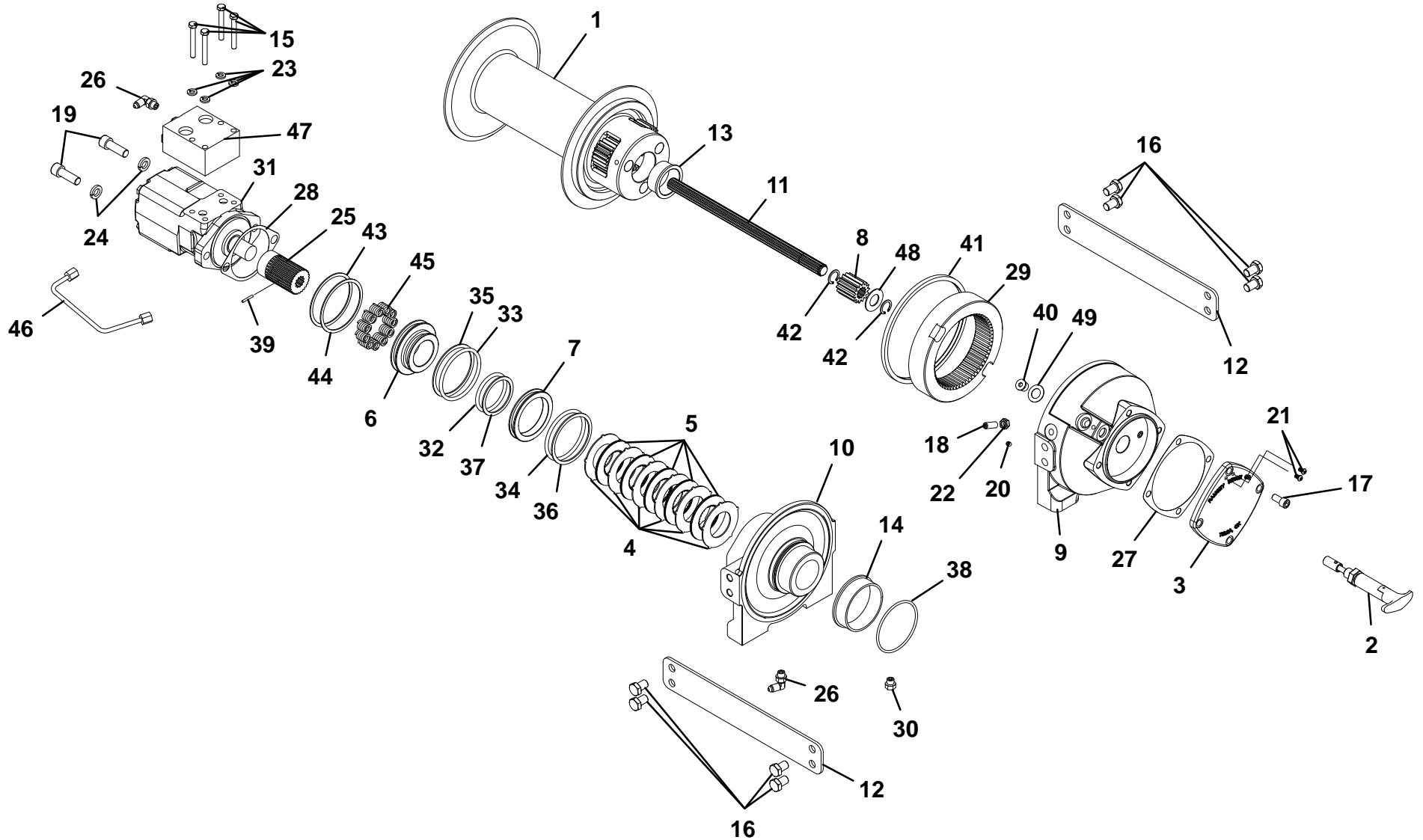


**WINCH -10K PLANETARY GEAR W/ MANUAL FREESPOOL - 7970000158**

ITEM	PART NO.	DESCRIPTION	QTY	ITEM	PART NO.	DESCRIPTION	QTY
1	70050525	Drum Assembly "Y"	1	40	9701960016	Plug	1
2	9551960018	Shifter Assembly	1	41	9796960049	Seal	1
3	70050625	Cover - Gear Housing	1	42	9754960039	Snap Ring	2
4	70050612	Stator - Brake	6	43	70050466	Ring - Internal Retaining	2
5	70050613	Disc Brake	5	44	70050626	Ring - Internal Retaining	1
6	70050614	Piston Brake	1	45	70050622	Spring - Brake	11
7	70050615	Piston Brake Backup	1	46	9912960035	Tube - Brake Release (Ports Up)	1
8	9472960042	Gear - Output, Sun	1	47	9935960142	Valve - Motor Control "B" Rotation	1
9	70050616	End Bearing - Gear housing	1	48	9812960005	Washer - Thrust	1
10	70050456	End Bearing - Motor	1	49	9949960017	Washer - Thrust	1
11	70050617	Shaft - Input "Y" Drum	1				
12	70050618	Plate - Tie "Y" Drum	2				
13	9209960023	Bushing - Drum	1				
14	70050457	Bushing - Drum, Motor End	1				
15	70050619	Capscrew, 0.31"-18NC x 2.50"	4				
16	9120960025	Capscrew, 0.50"-13NC x 0.75"	8				
17	9120960081	Capscrew, 0.38"-16NC x 0.75"	4				
18	9786960006	Setscrew, 0.38"-16NC x 1.00"	1				
19	70050627	Capscrew, 0.50"-13NC x 1.75"	2				
20	7785140404	Setscrew, 0.25"-20NC x 0.25"	1				
21	70050620	Screw, #10-24NC x 0.38"	2				
22	70050628	Jamnut, 0.38"-16NC	1				
23	9970418163	Lockwasher, 0.31" ID	4				
24	9949960031	Lockwasher, 0.50" ID	2				
25	70050621	Coupling - Motor	1				
26	9443960010	Fitting	2				
27	9796960047	Gasket	1				
28	70050458	Gasket	1				
29	9472960043	Gear - Ring	1				
30	9183960002	Fitting, Vent	1				
31	9626960027	Motor - Hydraulic	1				
32	70050459	O-Ring	1				
33	70050460	O-Ring	1				
34	70050461	O-Ring	1				
35	70050462	Ring - Backup	1				
36	70050463	Ring - Backup	1				
37	70050464	Ring - Backup	1				
38	70050465	O-Ring	1				
39	9691960001	Pin, Spiral	1				



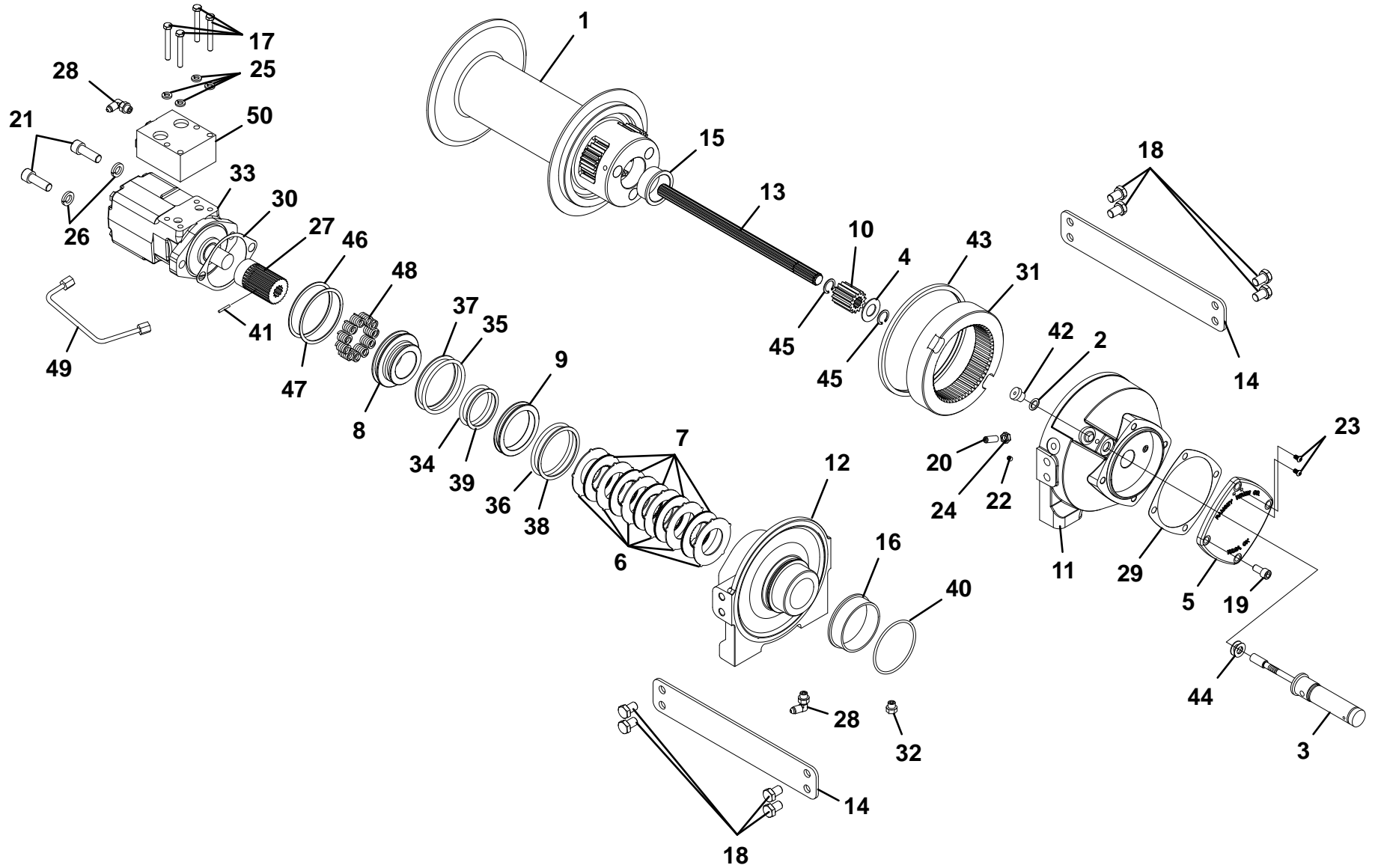
# WINCH -10K PLANETARY GEAR W/ MANUAL FREESPOOL - 7970000158



**WINCH -10K PLANETARY GEAR W/ AIR FREESPOOL - 7970000166**

ITEM	PART NO.	DESCRIPTION	QTY	ITEM	PART NO.	DESCRIPTION	QTY
1	70050525	Drum Assembly "Y"	1	40	70050465	O-Ring	1
2	9812960005	Shifter Assembly	1	41	9691960001	Pin, Spiral	1
3	70050662	Decal - Slide Pad / Pivot Joint	1	42	9701960016	Plug	1
4	9949960017	Washer - Thrust	1	43	9796960049	Seal	1
5	70050625	Cover - Gear Housing	1	44	70050100	Shim	2
6	70050612	Stator - Brake	6	45	9754960039	Snap Ring	2
7	70050613	Disc Brake	5	46	70050466	Ring - Internal Retaining	1
8	70050614	Piston Brake	1	47	70050626	Ring - Internal Retaining	1
9	70050615	Piston Brake Backup	1	48	70050622	Spring - Brake	11
10	9742960064	Gear - Output, Sun	1	49	9912960035	Tube - Brake Release (Ports Up)	1
11	70050616	End Bearing - Gear housing	1	50	70050701	Valve - Motor Control "A" Rotation	1
12	70050456	End Bearing - Motor	1				
13	70050617	Shaft - Input "Y" Drum	1				
14	70050618	Plate - Tie "Y" Drum	2				
15	9209960023	Bushing - Drum	1				
16	70050457	Bushing - Drum, Motor End	1				
17	70050619	Capscrew, 0.31"-18NC x 2.50"	4				
18	9120960025	Capscrew, 0.50"-13NC x 0.75"	8				
19	9120960081	Capscrew, 0.38"-16NC x 0.75"	4				
20	9786960006	Setscrew, 0.38"-16NC x 1.00"	1				
21	70050627	Capscrew, 0.50"-13NC x 1.75"	2				
22	7785140404	Setscrew, 0.25"-20NC x 0.25"	1				
23	70050620	Screw, #10-24NC x 0.38"	2				
24	70050628	Jamnut, 0.38"-16NC	1				
25	9970418163	Lockwasher, 0.31" ID	4				
26	9949960031	Lockwasher, 0.50" ID	2				
27	70050621	Coupling - Motor	1				
28	9443960010	Fitting	2				
29	9796960047	Gasket	1				
30	70050458	Gasket	1				
31	9472960043	Gear - Ring	1				
32	9183960002	Fitting, Vent	1				
33	9626960027	Motor - Hydraulic	1				
34	70050459	O-Ring	1				
35	70050460	O-Ring	1				
36	70050461	O-Ring	1				
37	70050462	Ring - Backup	1				
38	70050463	Ring - Backup	1				
39	70050464	Ring - Backup	1				

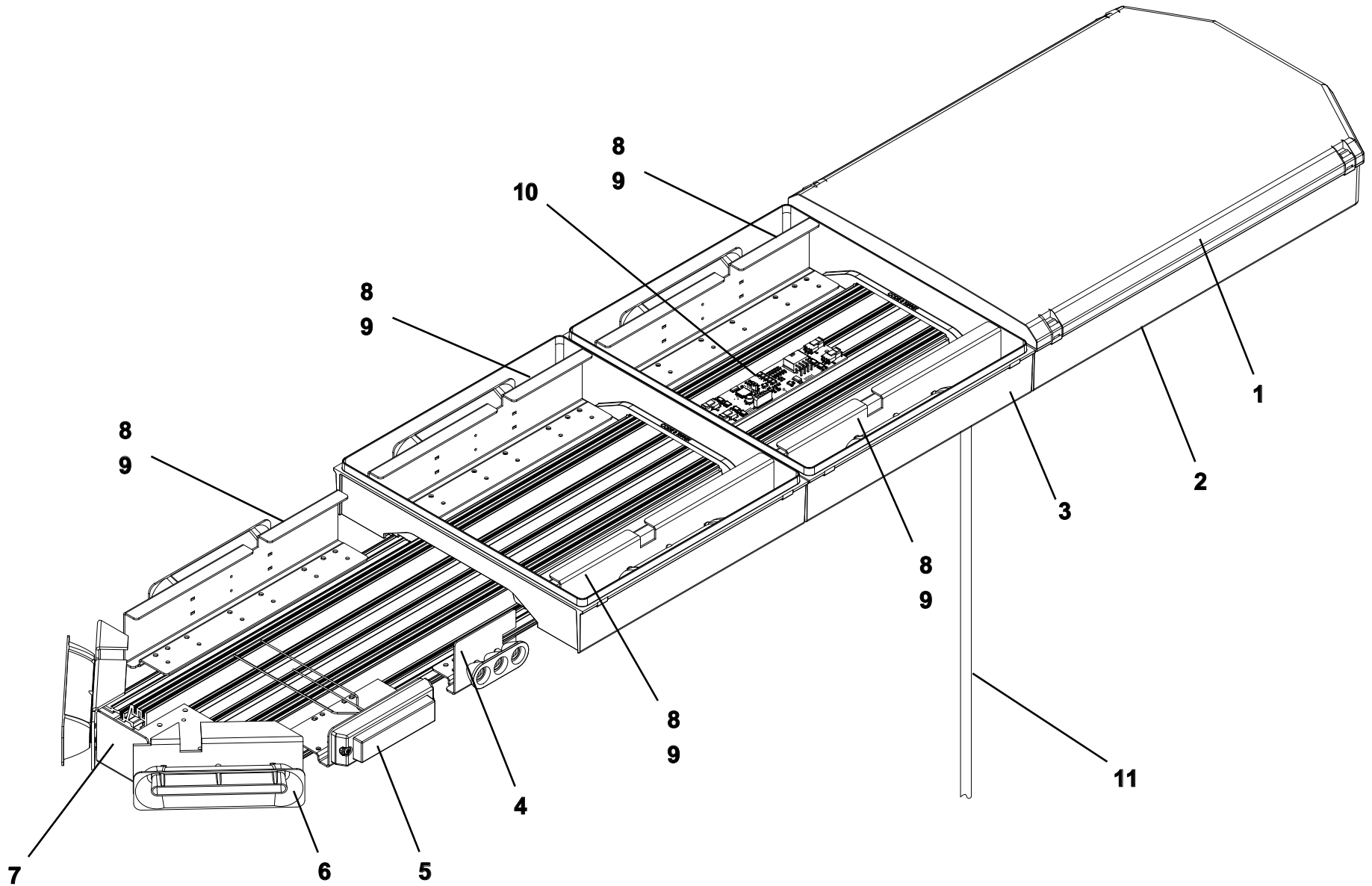
# WINCH -10K PLANETARY GEAR W/ AIR FREESPOOL - 7970000166



**LIGHTBAR 58" CODE3 - 1001136989 & 1001136993**

ITEM	PART NO.	DESCRIPTION	QTY
1	9590310197	Lens, Clear Upper Outboard	2
2	70050012	Lens, Clear Lower Outboard	2
3	9590310203	Lens, Clear Lower Center	2
4	70050164	Light, LED Work	2
5	1001130702	Light, LED Stop/Tail/Turn	2
6	9590310206	Light, Amber LED Corner Module	4
	70050721	Light, Red LED Corner Module	4
7	70050166	Bracket	2
8	9590310205	Light, Amber LED Module	6
	70050722	Light, Red LED Module	6
9	9590310202	Bracket, Center	6
10	70050167	Controller, Central	1
11	9552310007	Harness	1

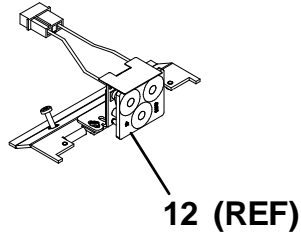
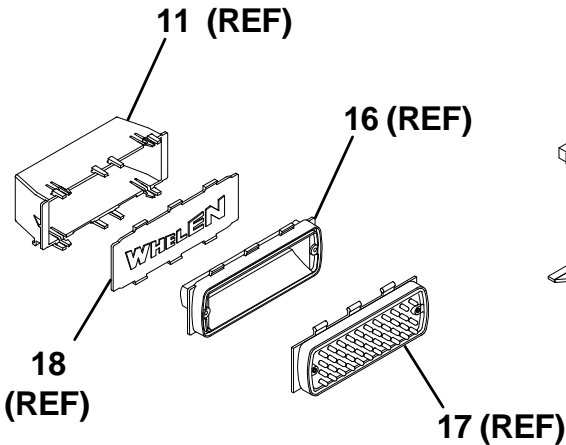
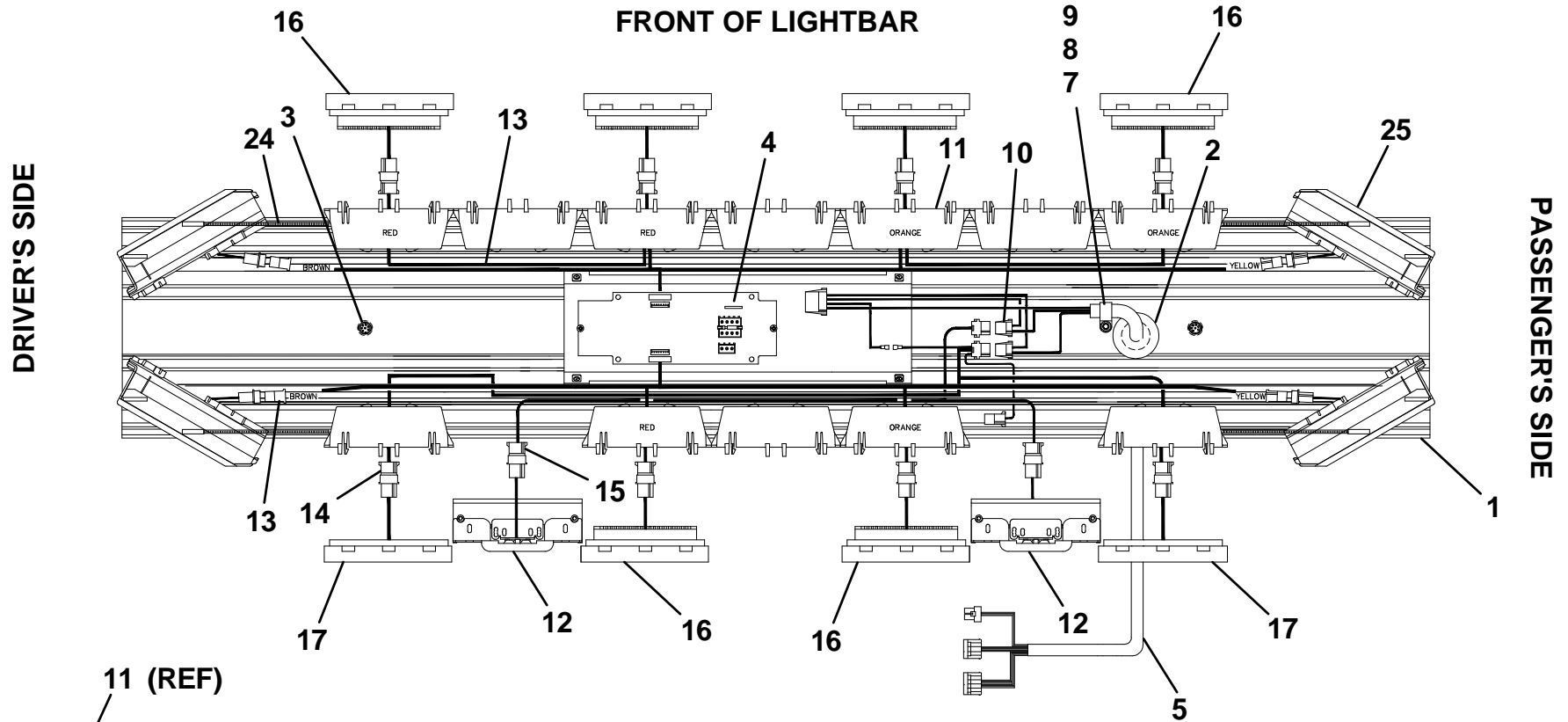
**LIGHTBAR 58" CODE3 - 1001136989 & 1001136993**



**LIGHTBAR 60" WHELEN - 7590000403**

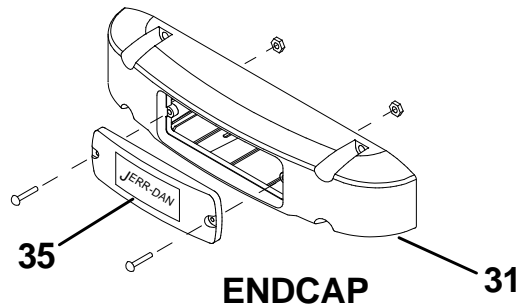
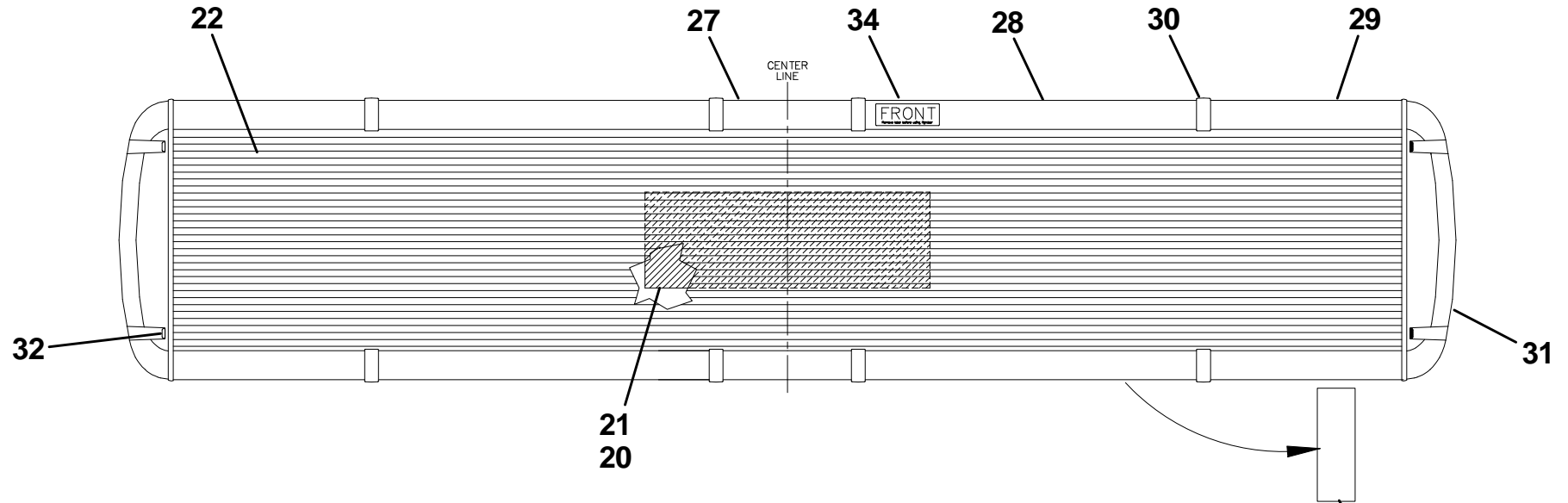
ITEM	PART NO.	DESCRIPTION	QTY
1	70050663	Base	1
2	70050169	Grommet	1
3	70050170	Plug	2
4	70050163	Assembly, HC I/O Liberty, Jerr-Dan	1
5	70050664	Cable	1
6	70050207	Label, Model & Serial Number	1
7	70050172	Screw, #10-24NC x 1.00"	1
8	70050665	Clamp	1
9	70050174	Wixnut, #10-24NC	1
10	70050175	Housing	2
11	70050182	Housing	12
12	70050183	LR11 TD Single Full 20 Deg.	2
13	70050666	Harness	2
14	70050185	Harness	1
15	70050186	Harness	1
16	70050187	Light Assembly, LED	6
17	70050188	500 BTT Max	2
18	70050189	Panel	4
19	70050190	End Support Bracket	2
20	70050191	Insulator	1
21	70050192	Decal	1
22	70050193	Top, Extruded	1
23	70050194	Screw #10-24NC x 0.38"	4
24	70050195	Spacer	4
25	70050196	Corner LED Assembly	4
26	70050197	Spacer	4
27	70050198	Lens	2
28	70050199	Lens	4
29	70050200	Lens	4
30	70050201	Lens Divider	8
31	70050667	End Cap	2
32	70050203	Screw, #10-24NC x 1.25"	8
33	70050204	Rotational MTG Adapter	2
34	70050205	Label, "Front"	1
35	70050206	Label, Jerr-Dan Logo	1

# LIGHTBAR 60" WHELEN - 7590000403

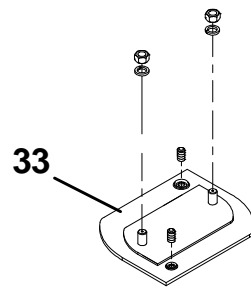


\*Items # 42, 43, 44 and 45 Not Shown

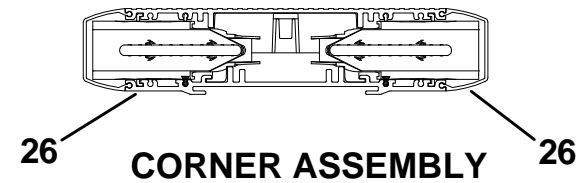
**LIGHTBAR 60" WHELEN - 7590000403**



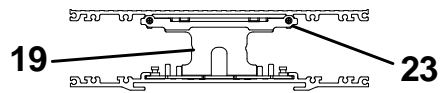
**ENDCAP**



**ROTATIONAL MTG ADAPTER**



**CORNER ASSEMBLY**



**END SUPPORT DETAIL**



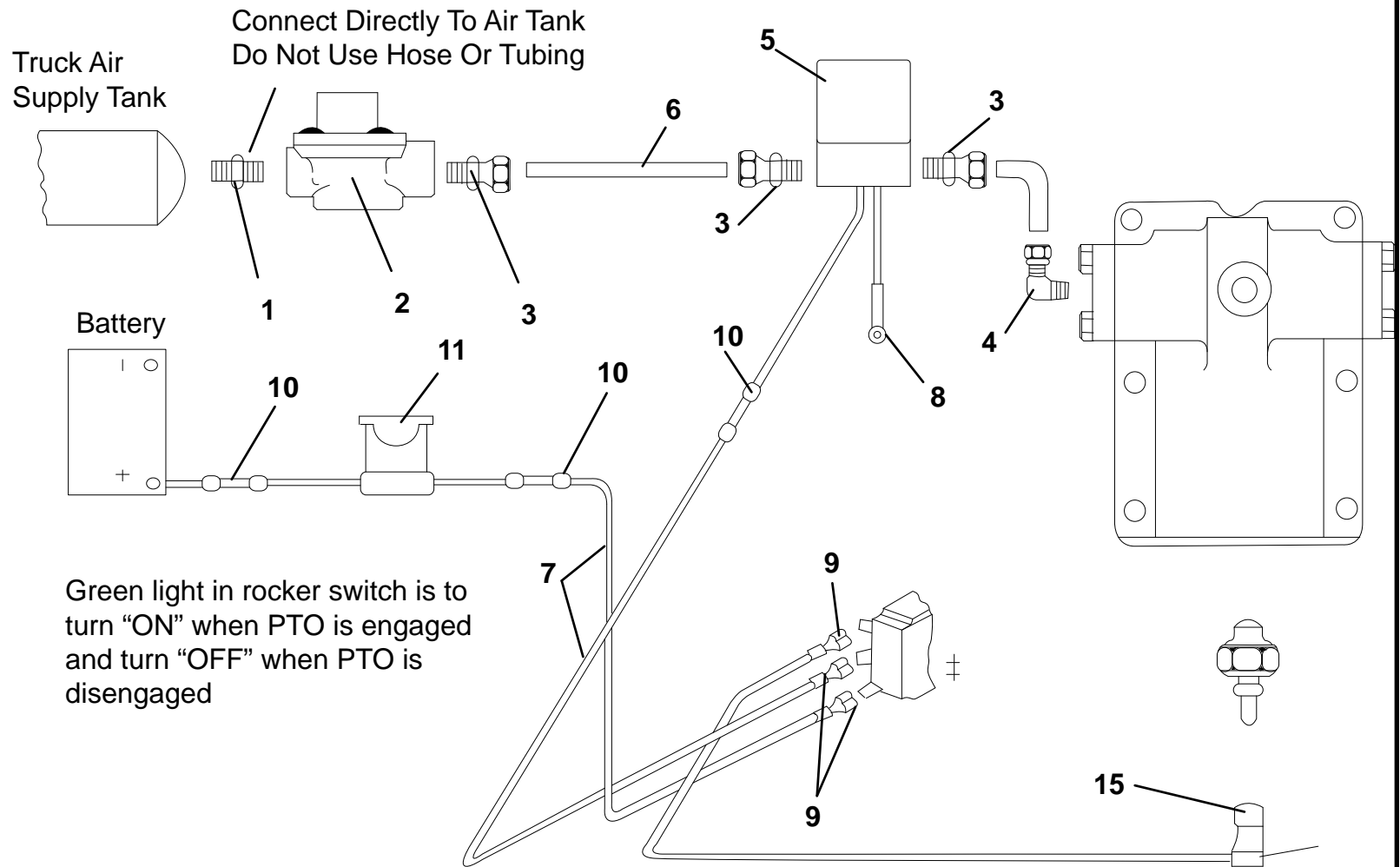
**LIGHTBAR 60" WHELEN - 7590000403**

**THIS PAGE INTENTIONALLY LEFT BLANK**

**TG SERIES PTO INSTALLATION - ELECTRIC/AIR SHIFT**

ITEM	PART NO.	DESCRIPTION	QTY
1	70050308	Nipple, Pipe	1
2	9935740034	Pressure Protection Valve	1
3	70050309	Fitting	3
4	70050310	Fitting	1
5	9346760019	12v Solenoid Valve	1
	70050311	24v Solenoid Valve	1
6	7565000019	Tubing,	30ft
7	70050312	Wire	30ft
8	70050313	Terminal	1
9	70050314	Terminal	3
10	70050315	Butt Splice	3
11	70050316	Fuse Assembly	1
12	7706000005	Dash Bracket	1
13	7706000003	Face Plate	1
14	7870000045	Switch 12VDC	1
	70050317	Switch 24VDC	1
15	70050318	Connector	1
16	70050319	Bolt Kit	1

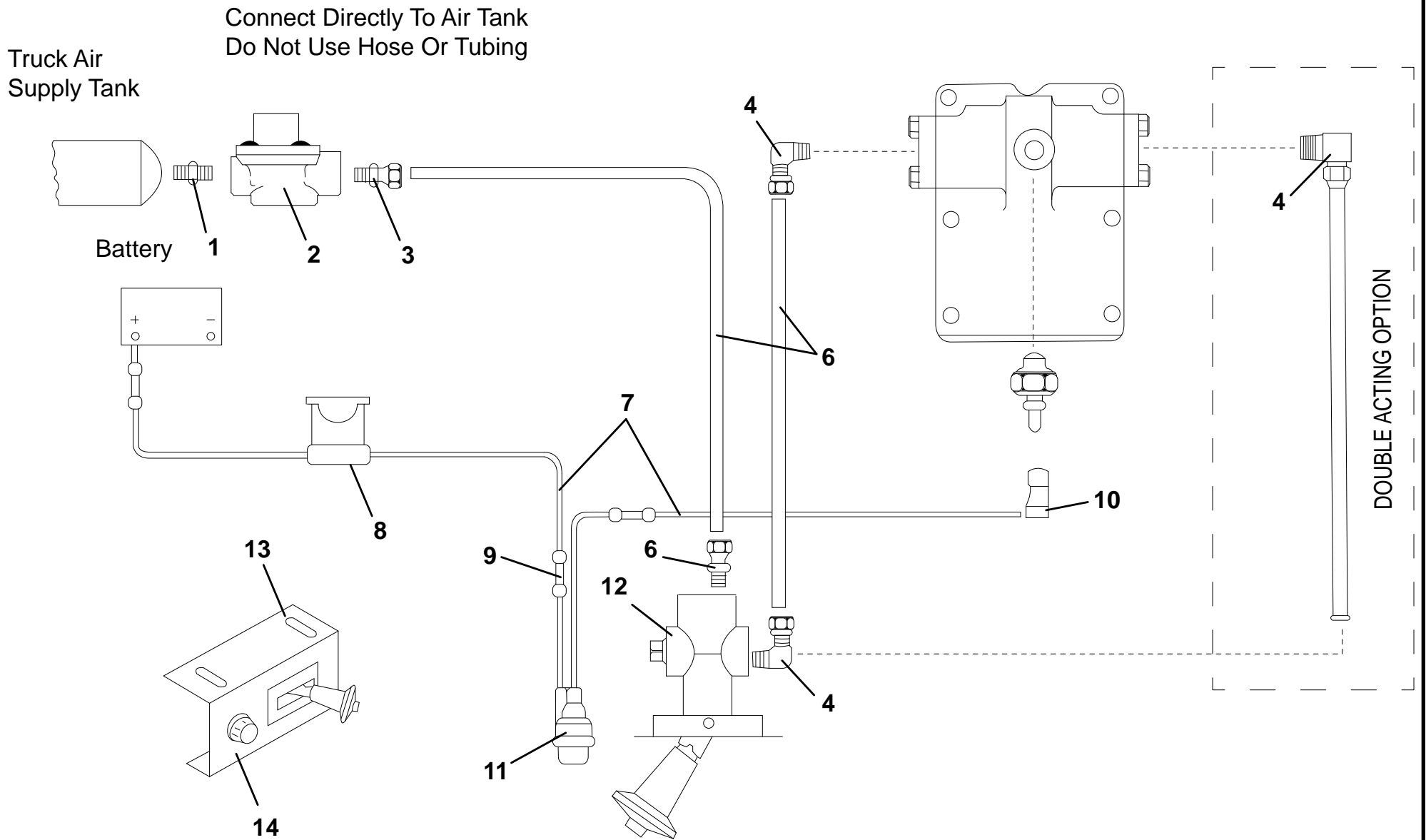
# TG SERIES PTO INSTALLATION - ELECTRIC/AIR SHIFT



**TG SERIES PTO INSTALLATION - AIR SHIFT**

ITEM	PART NO.	DESCRIPTION	QTY
1	70050308	Pipe Nipple	1
2	9935740034	Pressure Protection Valve	1
3	70050309	Fitting	1
4	70050310	Fitting	2
5	70050320	Fitting	1
6	7565000019	Tubing	30ft
7	70050312	Wire	12ft
8	70050316	Fuse Assembly	1
9	70050315	Butt Splice	3
10	70050318	Connector	1
11	7590000049	12V Light	1
12	70050321	24V Light	1
13	7935000104	Air Valve	1
14	70050322	Dash Bracket	1
15	7706000004	Face Plate	1
16	70050319	Bolt Kit	1

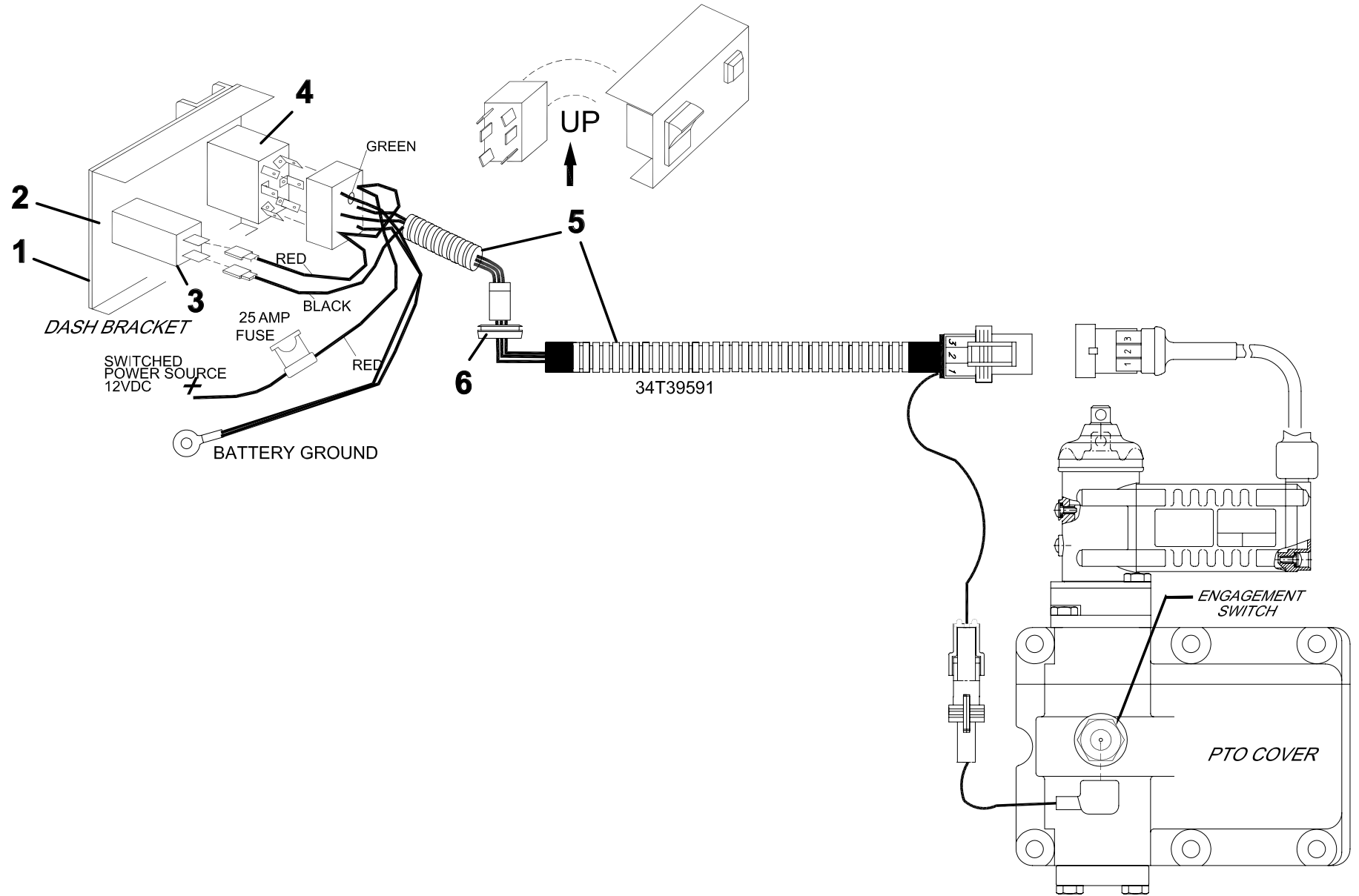
# TG SERIES PTO INSTALLATION - AIR SHIFT



**TG SERIES PTO INSTALLATION - E-HYDRA SHIFT**

ITEM	PART NO.	DESCRIPTION	QTY
1	70050323	Face Plate	1
2	7706000005	Dash Bracket	1
3	70050324	Light, 12VDC	1
4	9870310035	Switch	1
5	9552310025	Wire Harness	1
6	70050660	Grommet	1
NS	70050319	Kit, Bolt	1
NS	9330740011	Dash Label	1
NS	9330740010	Caution Label	1

# TG SERIES PTO INSTALLATION - E-HYDRA SHIFT

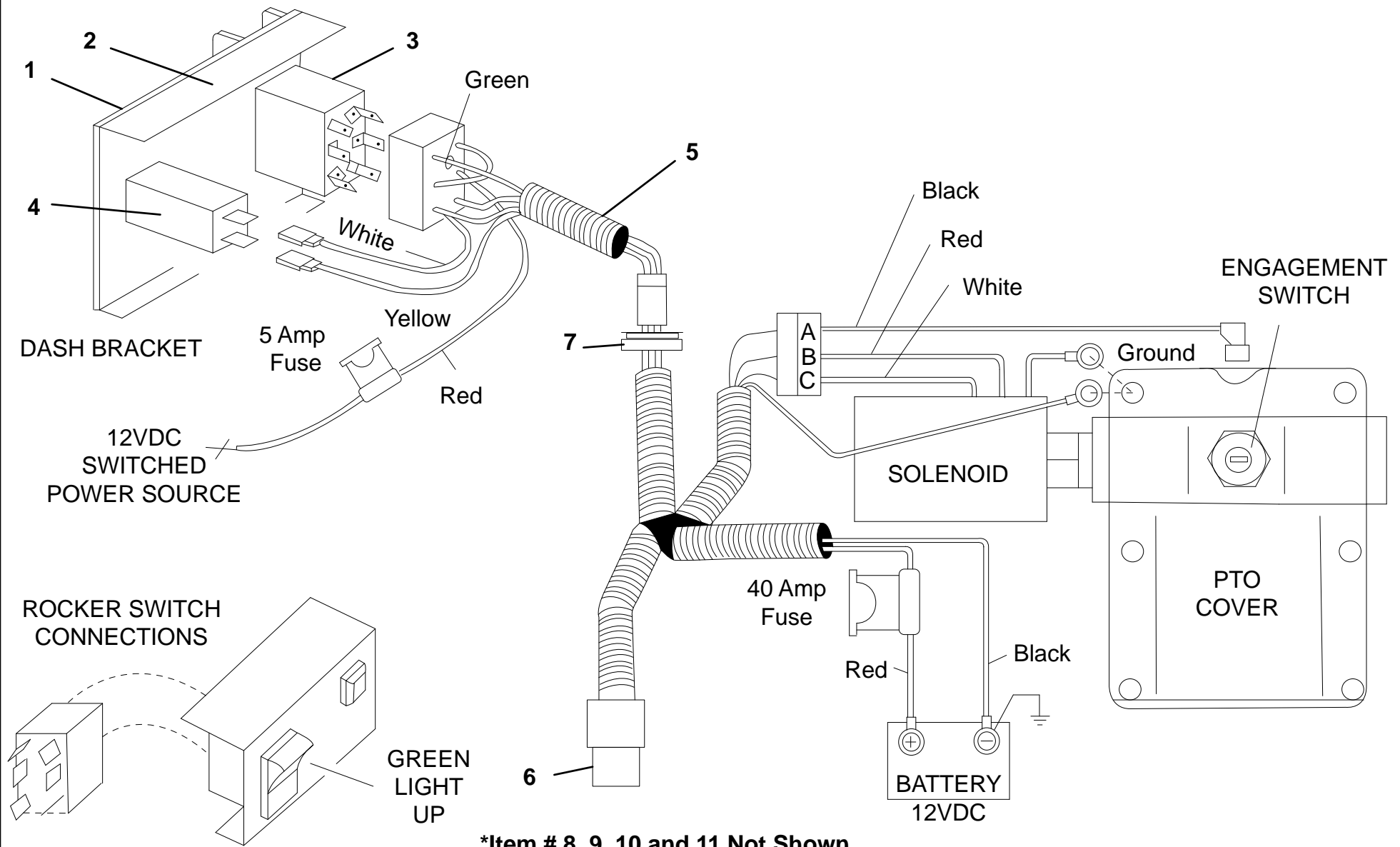


**TG SERIES PTO INSTALLATION - LECTRA SHIFT**

ITEM	PART NO.	DESCRIPTION	QTY
1	70050323	Face Plate	1
2	7706000005	Dash Bracket	1
3	7870000052	Switch	1
4	70050324	Light, 12VDC	1
5	9552740006	Wire Harness	1
6	9740740002	Relay	1
7	70050325	Grommet	1
8	70050326	Sheet Metal Screws	1
9	70050327	Wire Tie	5
10	70050319	Bolt Kit	1
11	9330740004	Dash Label	1



# TG SERIES PTO INSTALLATION - LECTRA SHIFT

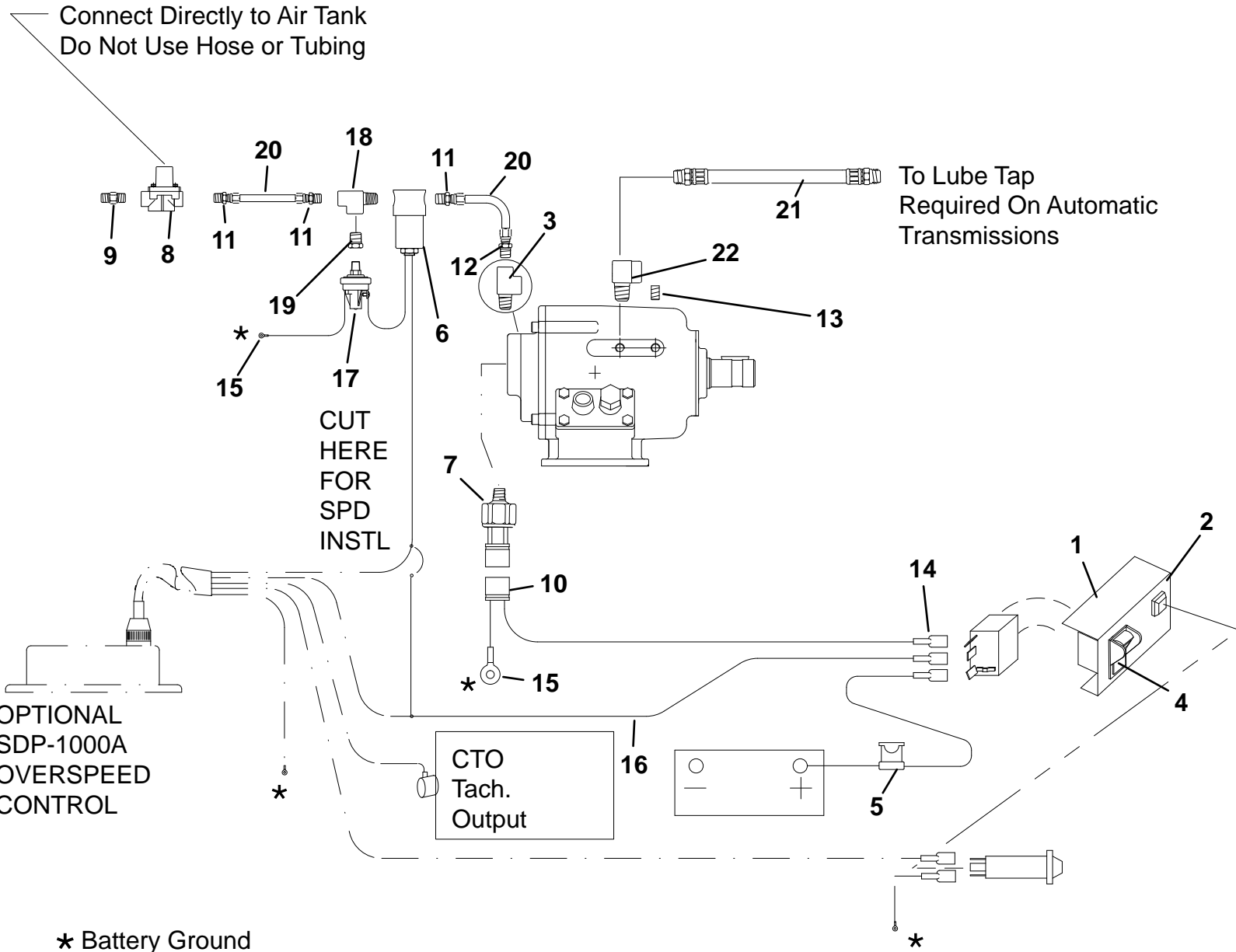


\*Item # 8, 9, 10 and 11 Not Shown

**CS6/CS8 SERIES PTO INSTALLATION - ELECTRIC/AIR SHIFT**

ITEM	PART NO.	DESCRIPTION	QTY
1	7706000005	Switch Bracket	1
2	7706000001	Face Plate	1
3	9443760018	Fitting, Street Tee	1
4	7870000045	Switch 12V	1
5	70050316	Fuse Assembly	1
6	9346760019	Valve, Solenoid 12V	1
7	7870000062	Pressure Switch	1
8	9935740034	Valve, Pressure Protection	1
9	70050308	Nipple	1
10	70050668	Wiring Pigtail	1
11	70050309	Connector, Male	2
12	70050310	Connector, Male	2
13	70050669	Plug, Pipe	1
14	70050314	Connector, Female Spade	3
15	70050313	Terminal	2
16	70050312	Wire	12
17	70050670	Switch, Pressure Safety	1
18	70050671	Fitting, Street Tee	1
19	70050672	Bushing, Reducer	1
20	7565000019	Air Tubing - 30Ft	1
21	70050674	Lube Hose Assembly	1
22	9443760009	Fitting	1
NS	70050673	Kit, Solenoid Bracket	1

# CS6/CS8 SERIES PTO INSTALLATION - ELECTRIC/AIR SHIFT

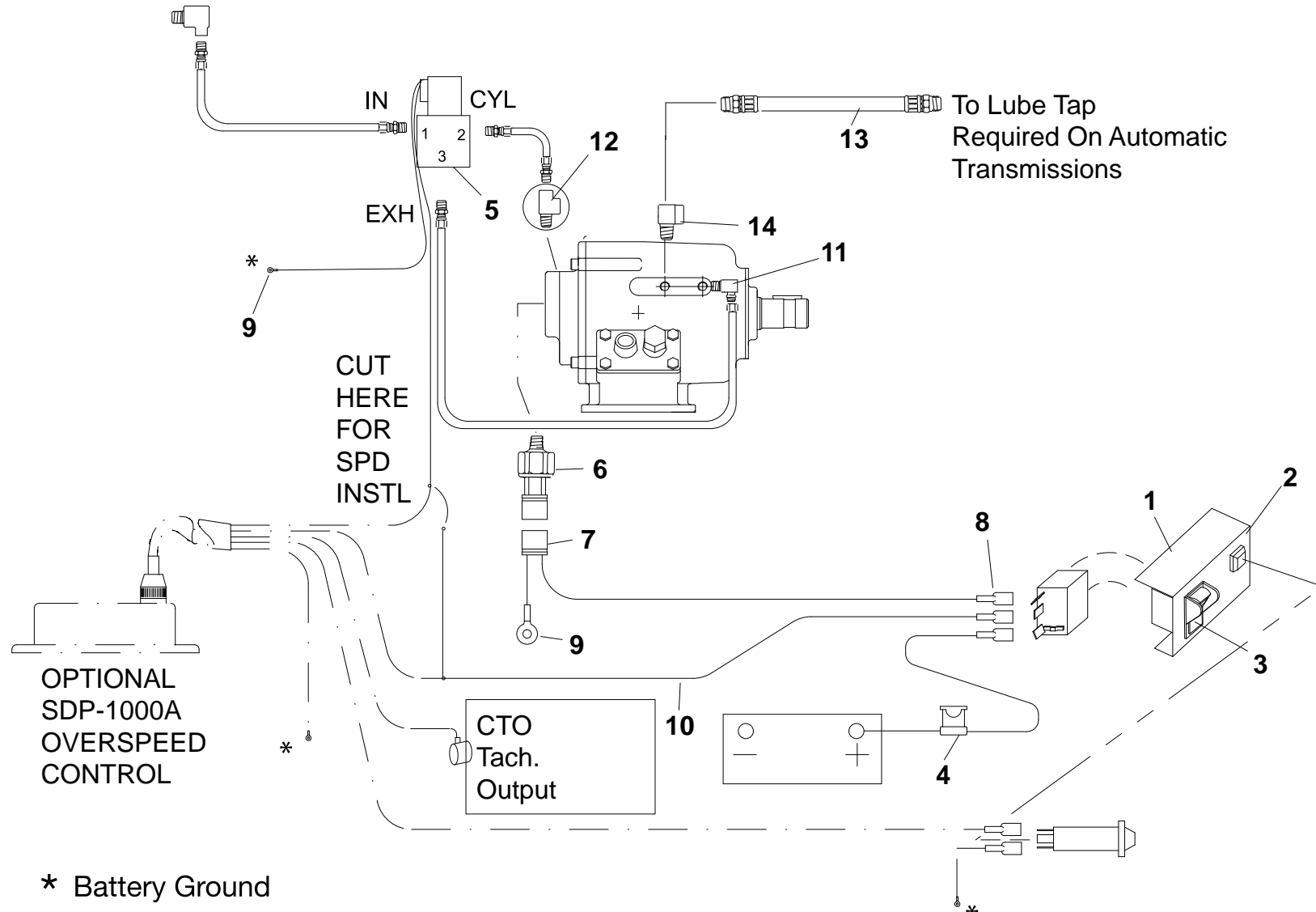


**CS6/CS8 SERIES PTO INSTALLATION - ELECTRIC/HYDRAULIC SHIFT**

ITEM	PART NO.	DESCRIPTION	QTY
1	7706000005	Switch Bracket	1
2	7706000001	Face Plate	1
3	7870000045	Switch 12V	1
4	70050316	Fuse Assembly	1
5	70050723	Valve, Solenoid 12V	1
6	7870000062	Pressure Switch	1
7	70050668	Wiring Pigtail	1
8	70050314	Connector, Female Spade	3
9	70050313	Terminal	2
10	70050312	Wire	12
11	70050675	Elbow	1
12	9443760018	Fitting, Street Tee	1
13	70050674	Lube Hose Assembly	1
14	9443760009	Fitting	2

# CS6/CS8 SERIES PTO INSTALLATION - ELECTRIC/HYDRAULIC SHIFT

TO TRANSMISSION  
MAIN PRESSURE PORT

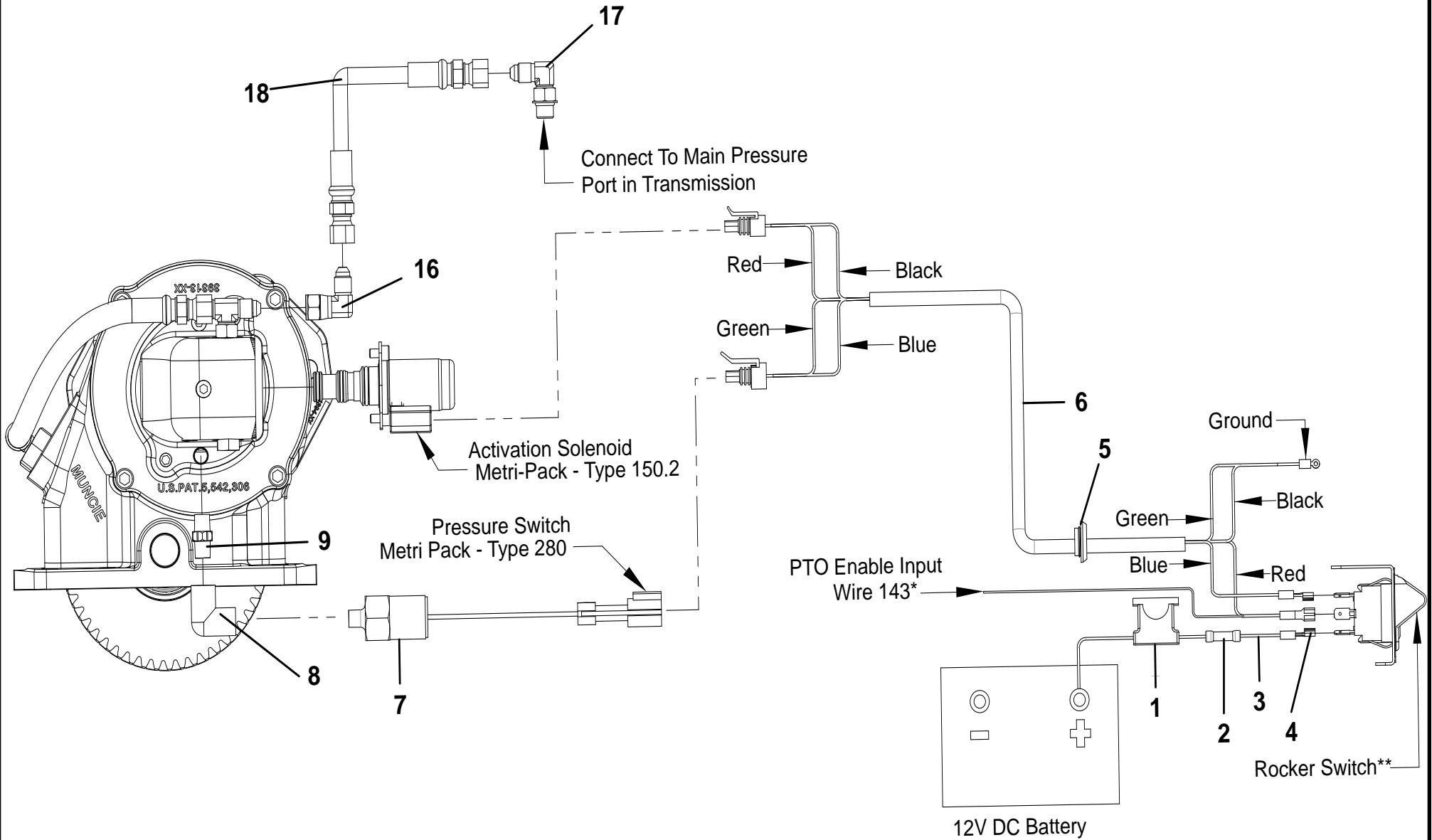


**CS24 SERIES PTO INSTALLATION**

ITEM	PART NO.	DESCRIPTION	QTY
1	70050316	Fuse Assembly	1
2	70050315	Butt Splice	1
3	70050312	Wire	6ft
4	70050314	Connector	1
5	70050325	Grommet	1
6	70050328	Wire Harness	1
7	7870000062	Pressure Switch	1
8	70050329	Elbow	1
9	70050330	Nipple	1
10	70050313	Terminal	2
11	70050331	Connector	3
12	7706000005	Switch Bracket	1
13	7706000001	Face Plate	1
14	7870000045	Switch, 12V	1
15	70050319	Bolt Kit	1
16	7443000431*	Fitting	1
17	7443000244*	Fitting	1
18	70050468*	Hose	1

\* Also available as Hose Kit - 70050467

# CS24 SERIES PTO INSTALLATION



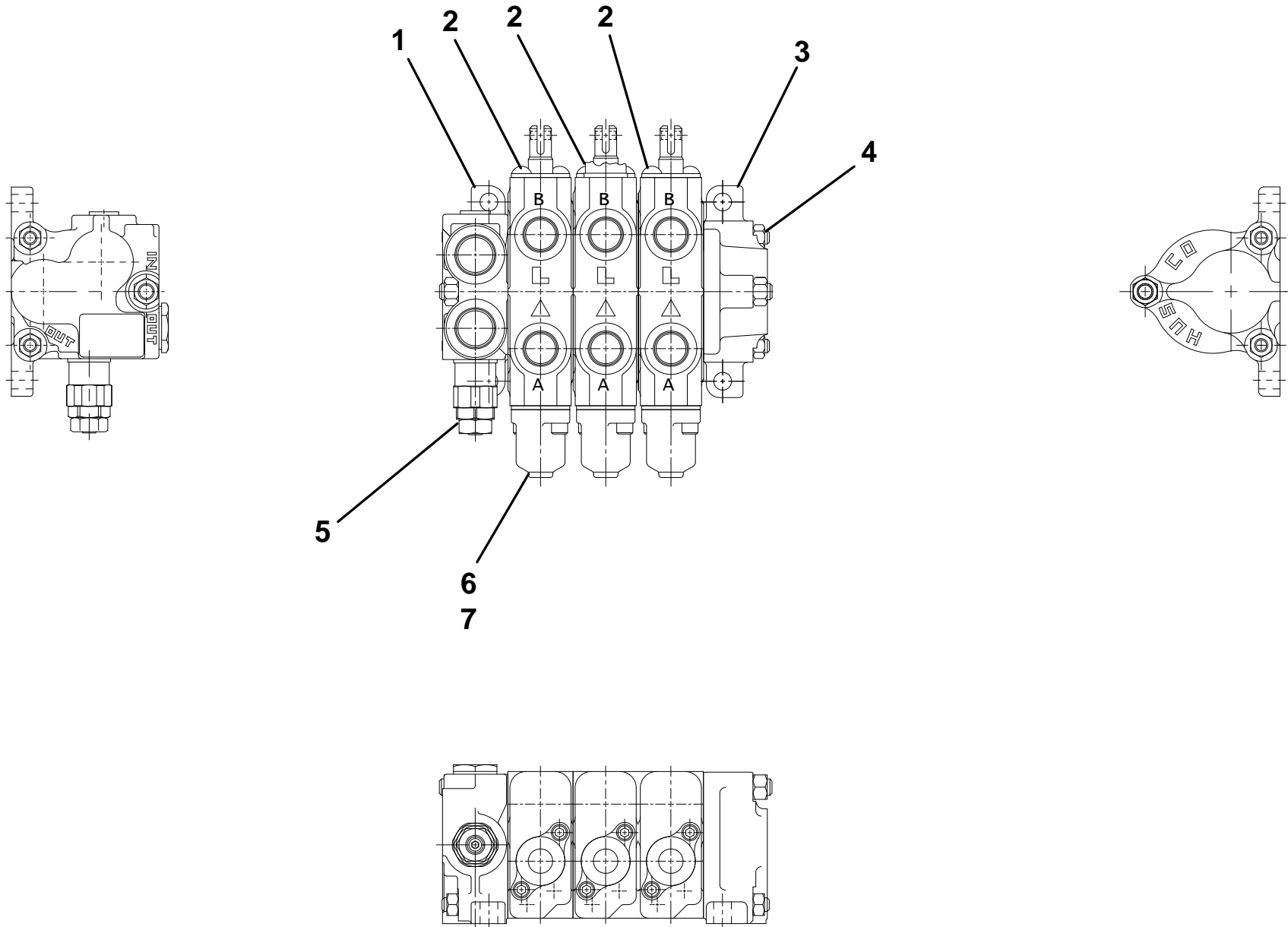
\*Item # 10, 11, 12, 13 14, and 15 Not Shown

**VALVE ASSEMBLY - 3935000111**

ITEM	PART NO.	DESCRIPTION	QTY
1	7935000369	Valve, Inlet	1
2	7935000170	Valve, Single Clevis	3
3	7935000173	Valve, End	1
4	7577000215	Kit, Bolt/Tierod	1
5	7935000174	Valve, Relief - 2500 PSI	1
6	9843930044	Cap	A/R
7	7577000343	Kit, Cap	A/R
NS	9577930187	Kit, Spool Seal	A/R



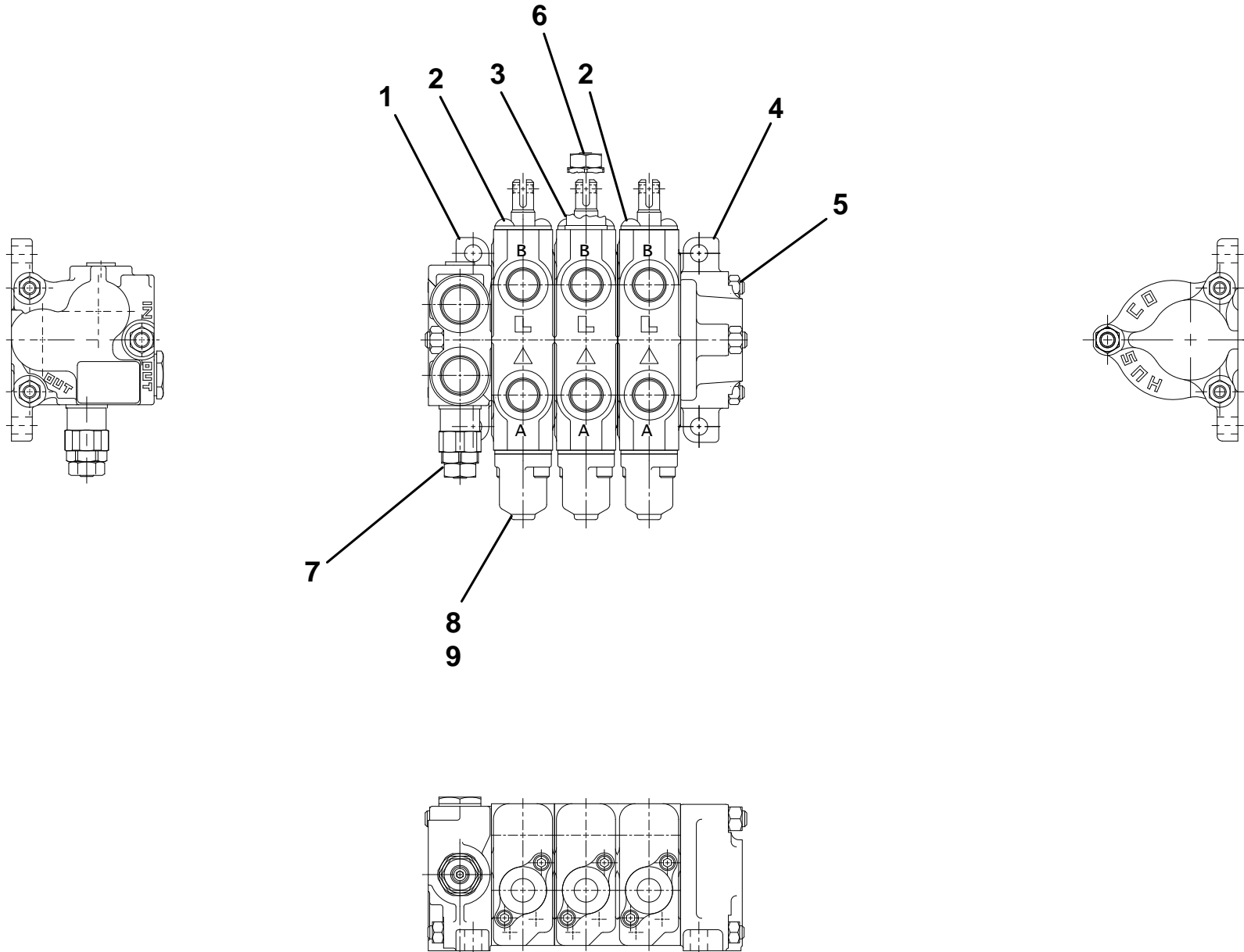
# VALVE ASSEMBLY - 3935000111



**VALVE ASSEMBLY - 3935000115**

ITEM	PART NO.	DESCRIPTION	QTY
1	7935000369	Valve, Inlet	1
2	7935000170	Valve, Single Clevis	2
3	7935000227	Valve w/ Relief	1
4	7935000173	Valve, End	1
5	7577000215	Kit, Bolt/Tierod	1
6	7935000388	Valve, Relief - 2000 PSI	1
7	7935000174	Valve, Relief - 2500 PSI	1
8	9843930044	Cap	A/R
9	7577000343	Kit, Cap	A/R
NS	9577930187	Kit, Spool Seal	A/R

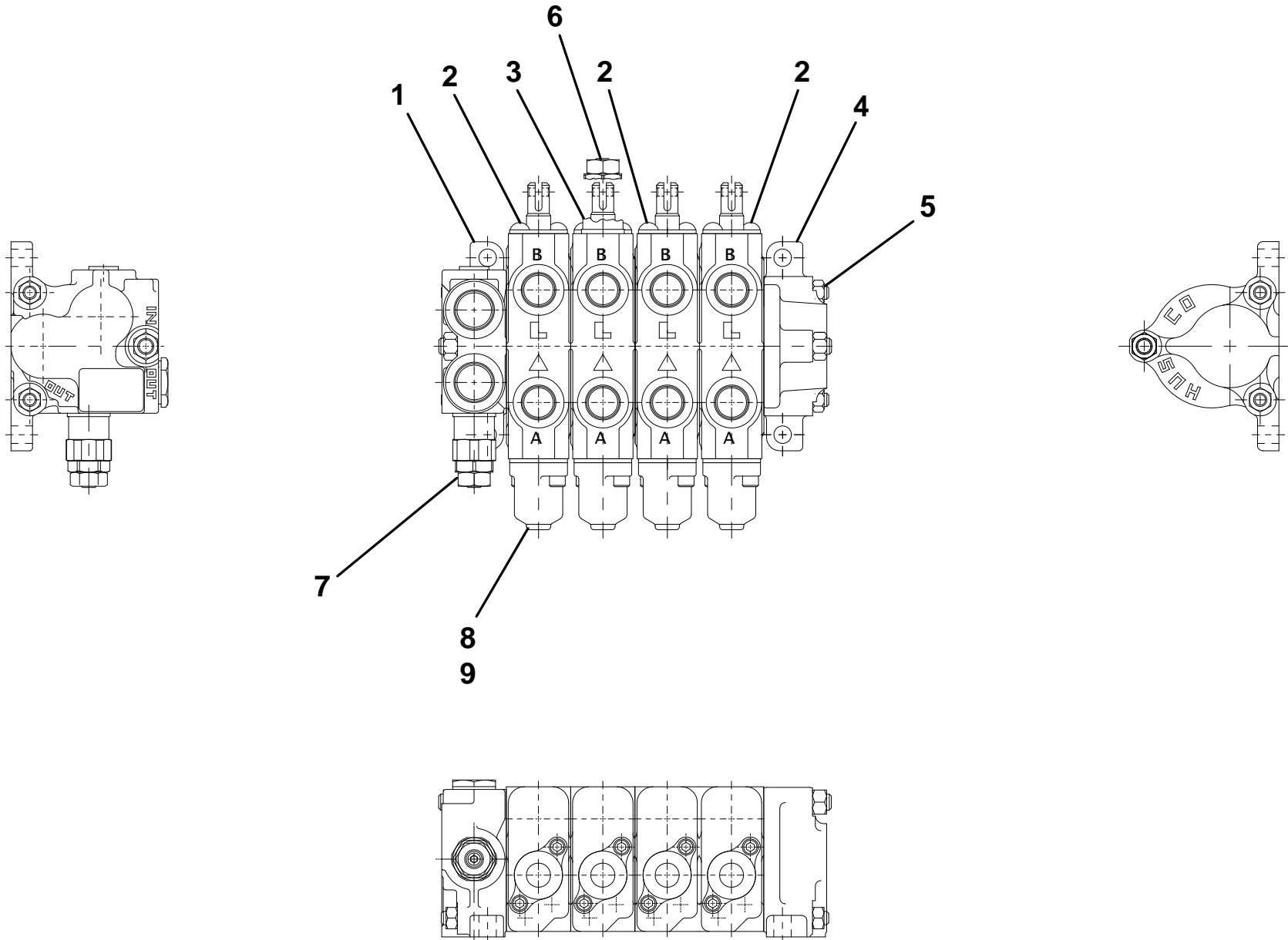
# VALVE ASSEMBLY - 3935000115



**VALVE ASSEMBLY - 3935000116**

ITEM	PART NO.	DESCRIPTION	QTY
1	7935000369	Valve, Inlet	1
2	7935000170	Valve, Single Clevis	3
3	7935000227	Valve w/ Relief	1
4	7935000173	Valve, End	1
5	7577000216	Kit, Bolt/Tierod	1
6	7935000388	Valve, Relief - 2000 PSI	1
7	7935000174	Valve, Relief - 2500 PSI	1
8	9843930044	Cap	A/R
9	7577000343	Kit, Cap	A/R
NS	9577930187	Kit, Spool Seal	A/R

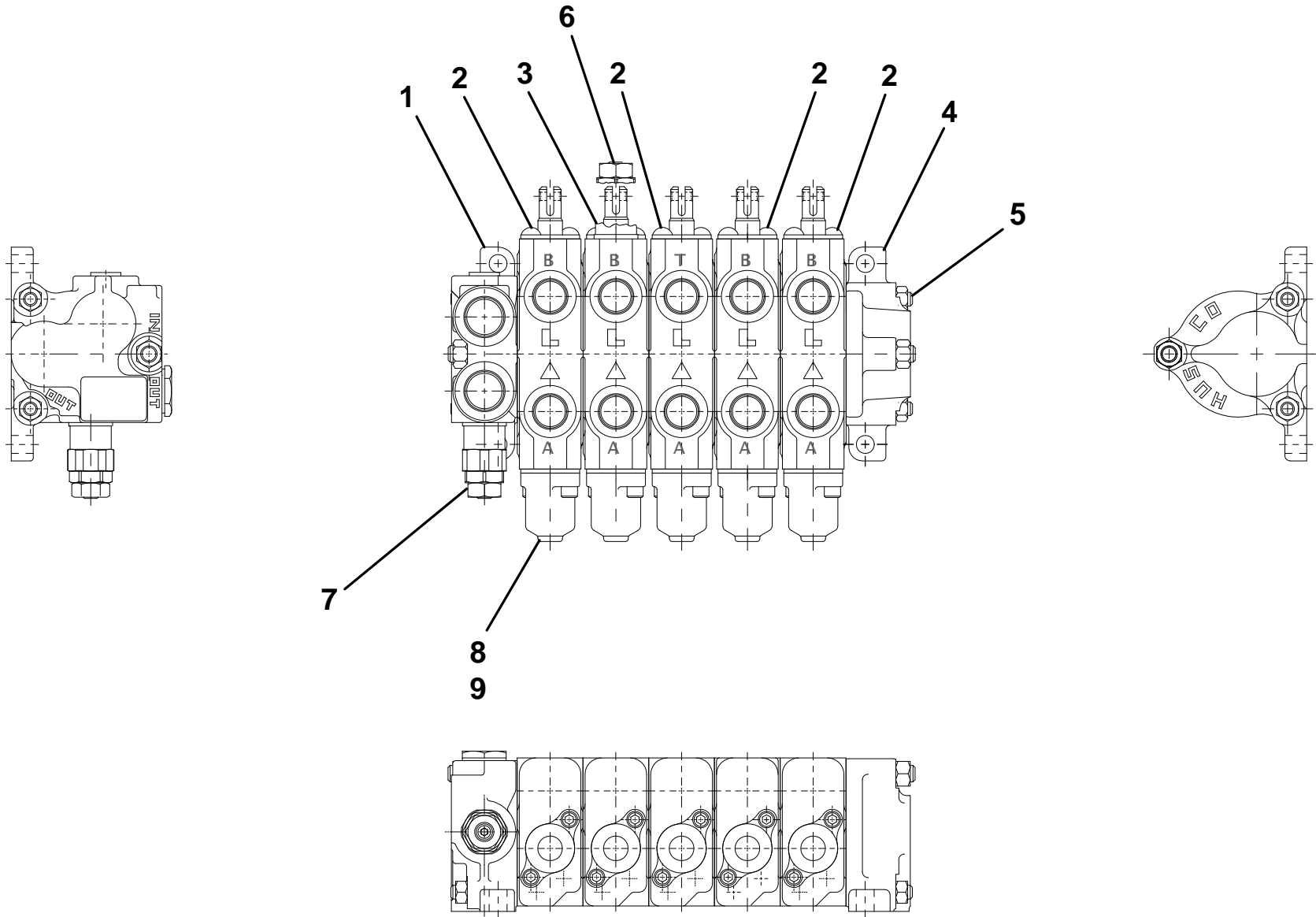
# VALVE ASSEMBLY - 3935000116



**VALVE ASSEMBLY - 3935000117**

ITEM	PART NO.	DESCRIPTION	QTY
1	7935000369	Valve, Inlet	1
2	7935000170	Valve, Single Clevis	4
3	7935000227	Valve w/ Relief	1
4	7935000173	Valve, End	1
5	7577000217	Kit, Bolt/Tierod	1
6	7935000388	Valve, Relief - 2000 PSI	1
7	7935000174	Valve, Relief - 2500 PSI	1
8	9843930044	Cap	A/R
9	7577000343	Kit, Cap	A/R
NS	9577930187	Kit, Spool Seal	A/R

# VALVE ASSEMBLY - 3935000117

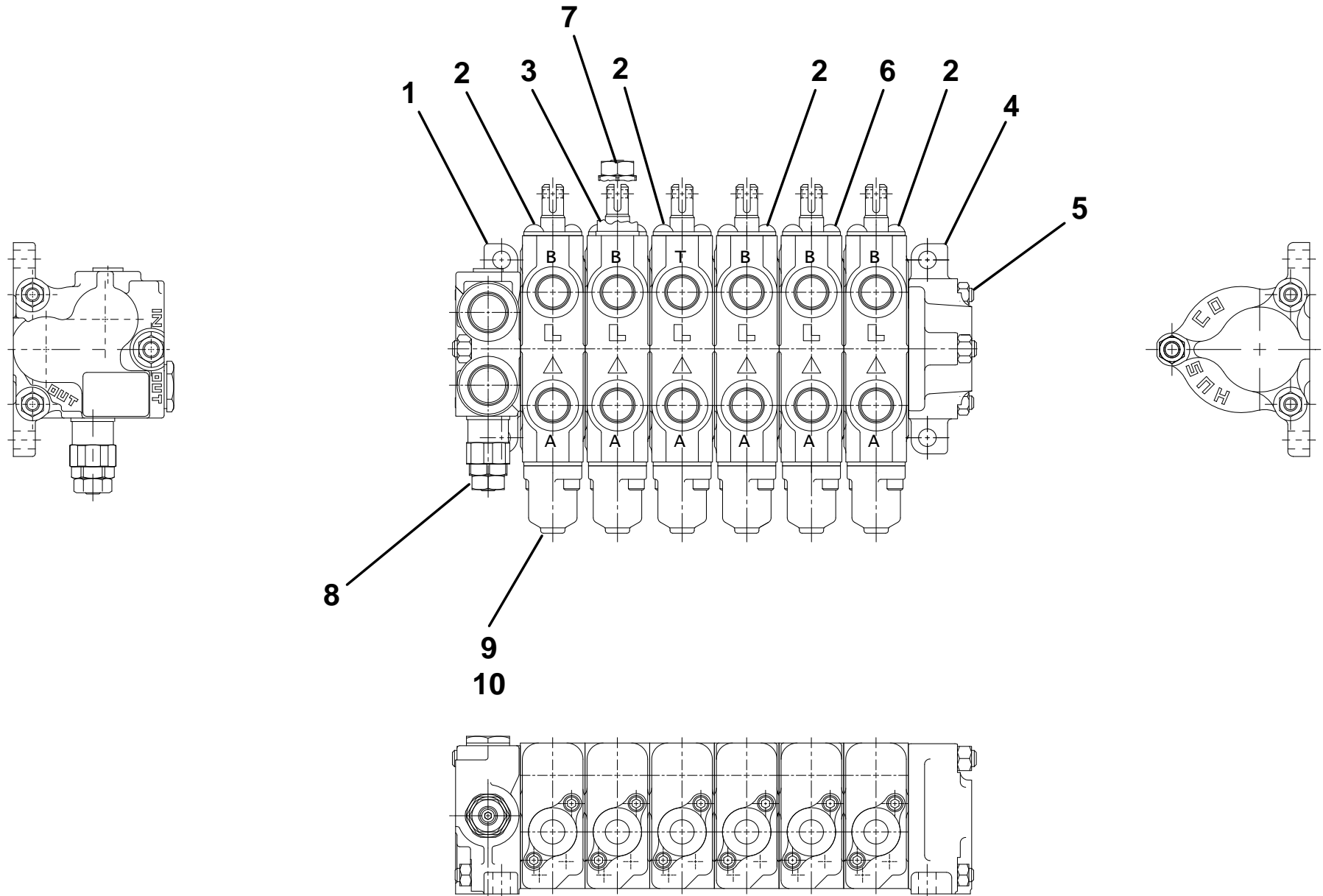


**VALVE ASSEMBLY - 3935000118**

ITEM	PART NO.	DESCRIPTION	QTY
1	7935000369	Valve, Inlet	1
2	7935000170	Valve, Single Clevis	4
3	7935000227	Valve w/ Relief	1
4	7935000173	Valve, End	1
5	7577000218	Kit, Bolt/Tierod	1
6	7935000171	Valve w/ Counterbalance	1
7	7935000388	Valve, Relief - 2000 PSI	1
8	7935000174	Valve, Relief - 2500 PSI	1
9	9843930044	Cap	A/R
10	7577000343	Kit, Cap	A/R
NS	9577930187	Kit, Spool Seal	A/R



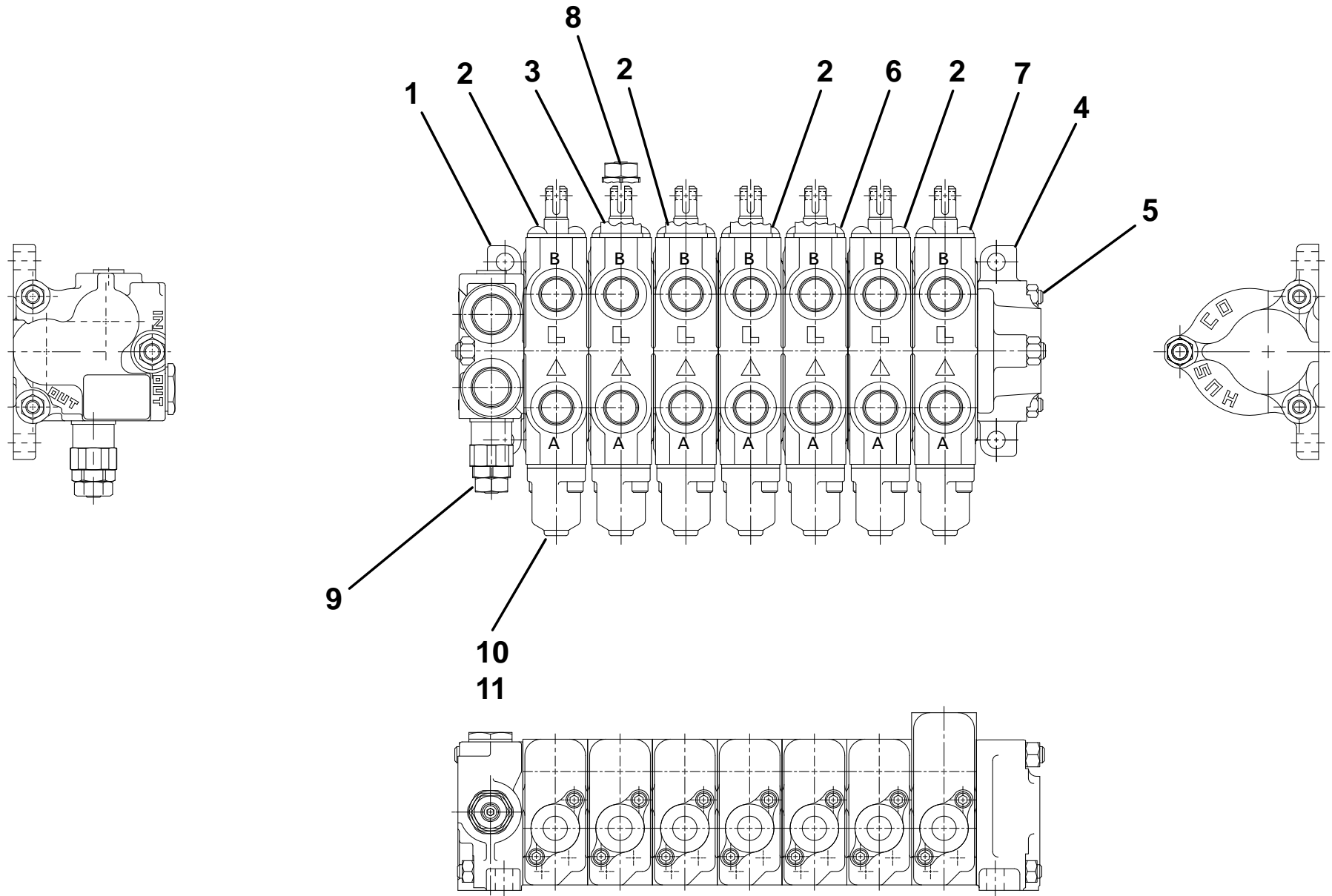
**VALVE ASSEMBLY - 3935000118**



**VALVE ASSEMBLY - 3935000150**

ITEM	PART NO.	DESCRIPTION	QTY
1	7935000369	Valve, Inlet	1
2	7935000170	Valve, Single Clevis	4
3	7935000227	Valve w/ Relief	1
4	7935000173	Valve, End	1
5	7577000238	Kit, Bolt/Tierod	1
6	7935000171	Valve w/ Counterbalance	1
7	7395000265	Valve w/ PO Check	1
8	7935000388	Valve, Relief - 2000 PSI	1
9	7935000174	Valve, Relief - 2500 PSI	1
10	9843930044	Cap	A/R
11	7577000343	Kit, Cap	A/R
NS	9577930187	Kit, Spool Seal	A/R

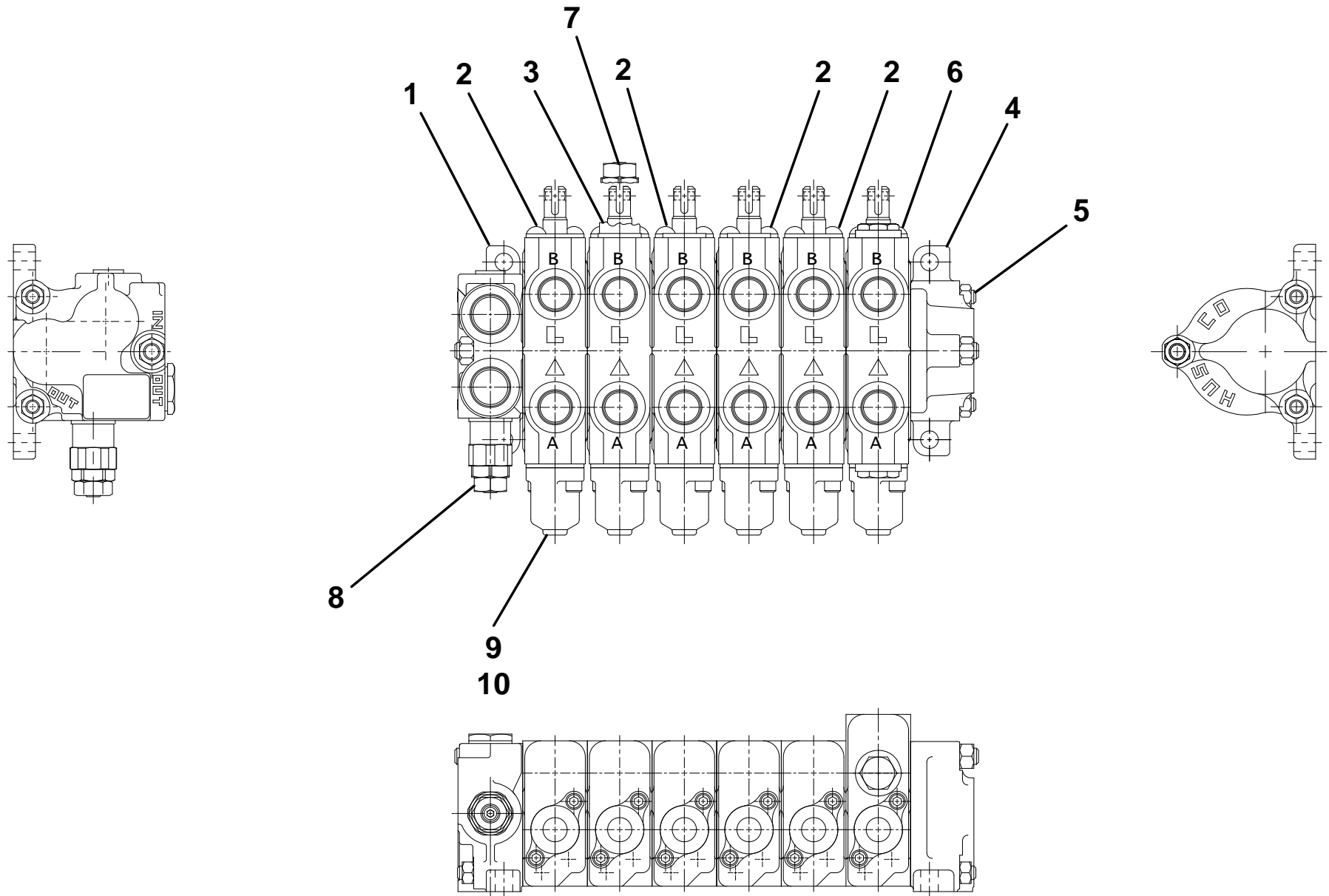
# VALVE ASSEMBLY - 3935000150



**VALVE ASSEMBLY - 3935000166**

ITEM	PART NO.	DESCRIPTION	QTY
1	7935000369	Valve, Inlet	1
2	7935000170	Valve, Single Clevis	4
3	7935000227	Valve w/ Relief	1
4	7935000173	Valve, End	1
5	7577000218	Kit, Bolt/Tierod	1
6	7395000265	Valve w/ PO Check	1
7	7935000388	Valve, Relief - 2000 PSI	1
8	7935000174	Valve, Relief - 2500 PSI	1
9	9843930044	Cap	A/R
10	7577000343	Kit, Cap	A/R
NS	9577930187	Kit, Spool Seal	A/R

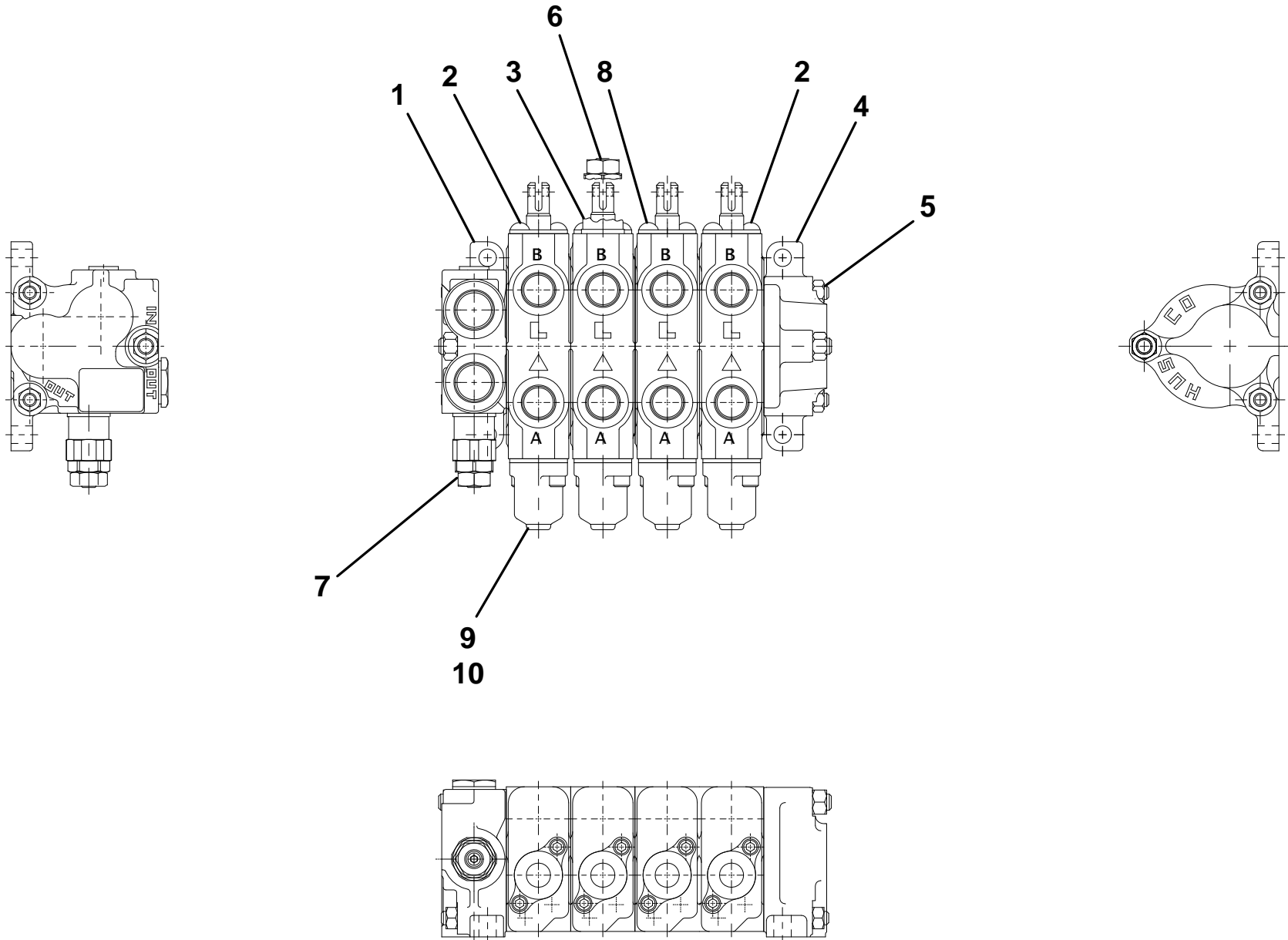
# VALVE ASSEMBLY - 3935000166



**VALVE ASSEMBLY - 1001145986**

ITEM	PART NO.	DESCRIPTION	QTY
1	7935000369	Valve, Inlet	1
2	7935000170	Valve, Single Clevis	2
3	7935000227	Valve w/ Relief	1
4	7935000173	Valve, End	1
5	7577000216	Kit, Bolt/Tierod	1
6	7935000388	Valve, Relief - 2000 PSI	1
7	7935000174	Valve, Relief - 2500 PSI	1
8	1001133740	Valve, Single Clevis, Motor Spool	1
9	9843930044	Cap	A/R
10	7577000343	Kit, Cap	A/R
NS	9577930187	Kit, Spool Seal	A/R

# VALVE ASSEMBLY - 1001145986

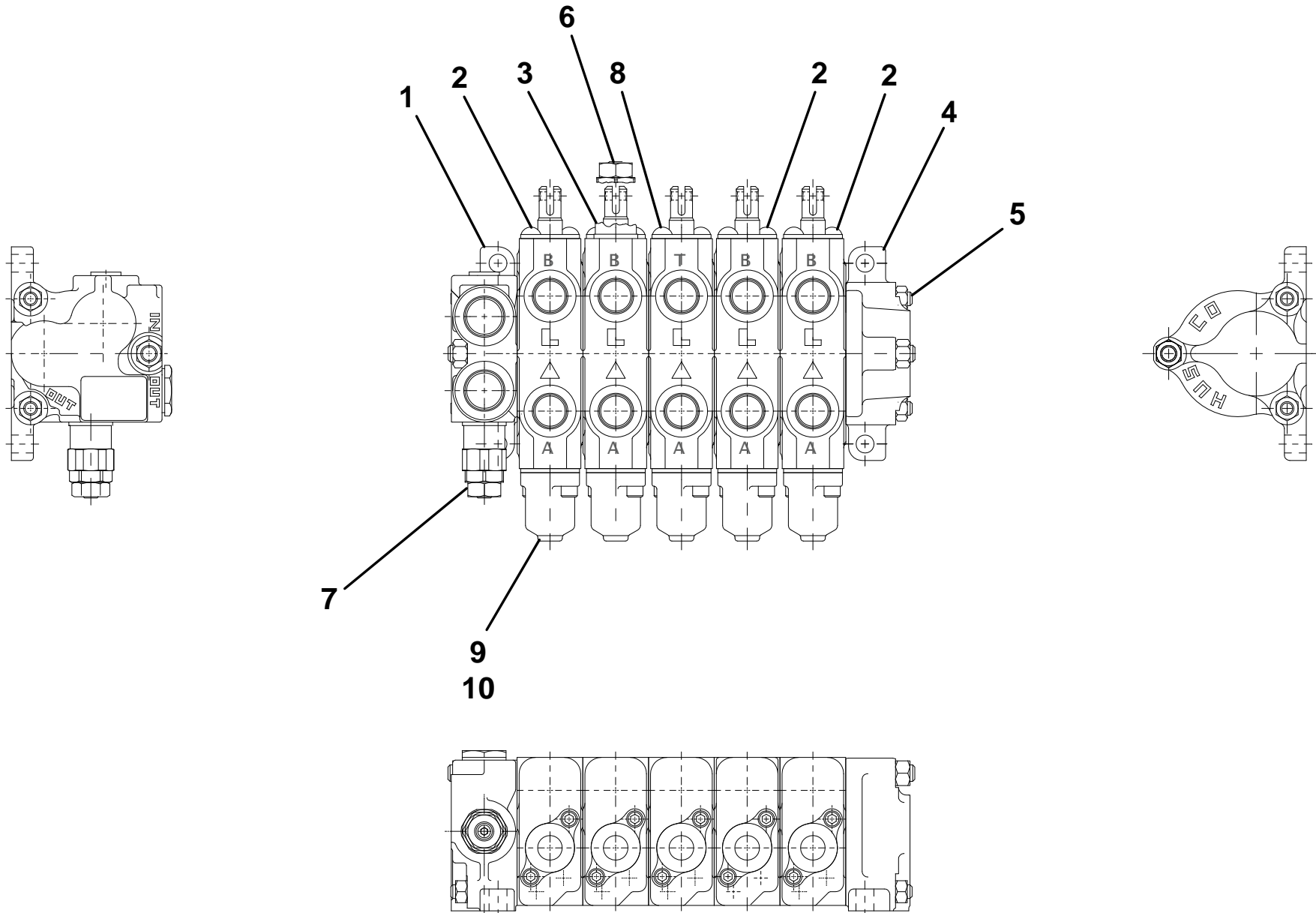


**VALVE ASSEMBLY - 1001146603**

ITEM	PART NO.	DESCRIPTION	QTY
1	7935000369	Valve, Inlet	1
2	7935000170	Valve, Single Clevis	3
3	7935000227	Valve w/ Relief	1
4	7935000173	Valve, End	1
5	7577000217	Kit, Bolt/Tierod	1
6	7935000388	Valve, Relief - 2000 PSI	1
7	7935000174	Valve, Relief - 2500 PSI	1
8	1001133740	Valve, Single Clevis, Motor Spool	1
9	9843930044	Cap	A/R
10	7577000343	Kit, Cap	A/R
NS	9577930187	Kit, Spool Seal	A/R



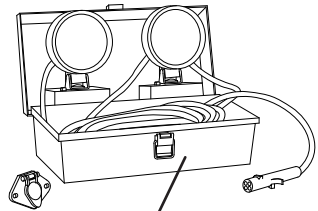
# VALVE ASSEMBLY - 1001146603



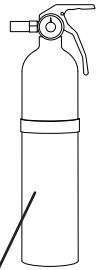
**ACCESSORY EQUIPMENT**

ITEM	PART NO.	DESCRIPTION	QTY
1	7002000449	Magnetic Tow Lights	1
2	7002000404	Fire Extinguisher	1
3	7002000448	Wheel Chock	1
4	7002000285	Reflective Triangles	1
5	7002000451	Load Binder - 0.38" Chain	1
6	Not Required		
7	7002000521	Remote Control Transmitter Holder	1
8	7002000447	Valve Stem Extension Kit	1
9	7002000503	Air Compressor with Hose Reel	1
10	7443000155	Elbow	1
11	7115161050	Capscrew, 0.38"-16NC x 1.25"	4
12	7950150161	Flatwasher, 0.31" ID	4
13	7660162601	Locknut, 0.38"-16NC	4
14	7115181050	Capscrew, 0.50"-13NC x 1.25"	4
15	7950180153	Flatwasher, 0.50" ID	8
16	7660182601	Locknut, 0.50"-13NC	4

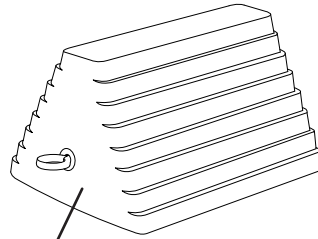
# ACCESSORY EQUIPMENT



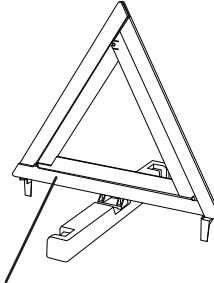
1



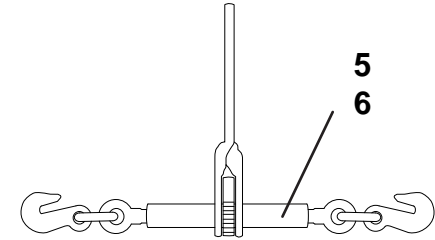
2



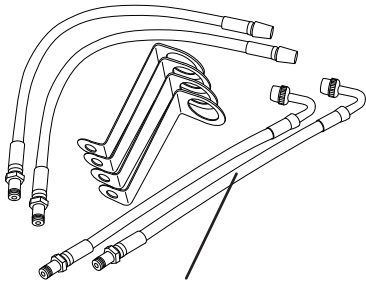
3



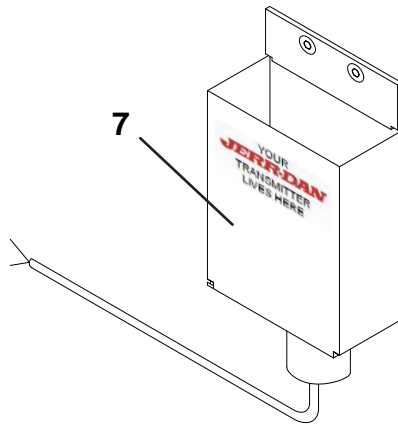
4



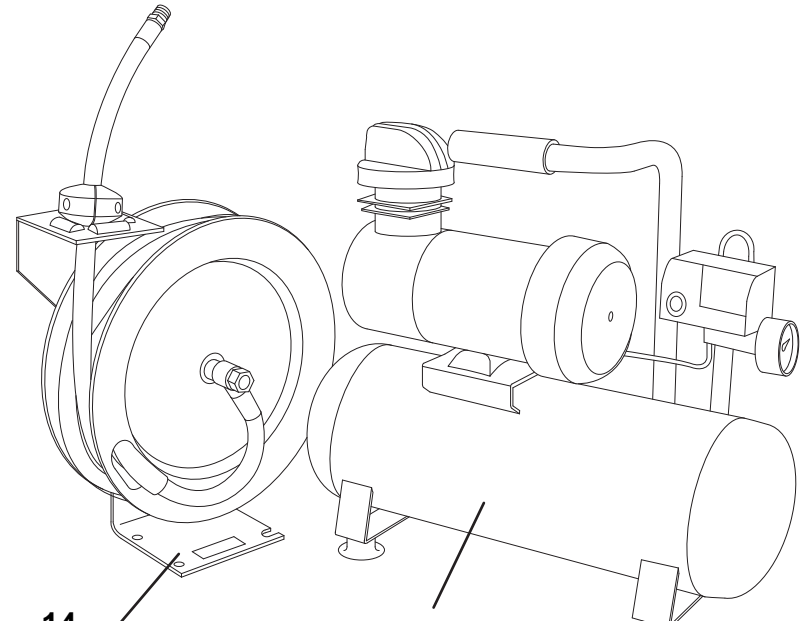
5  
6



8



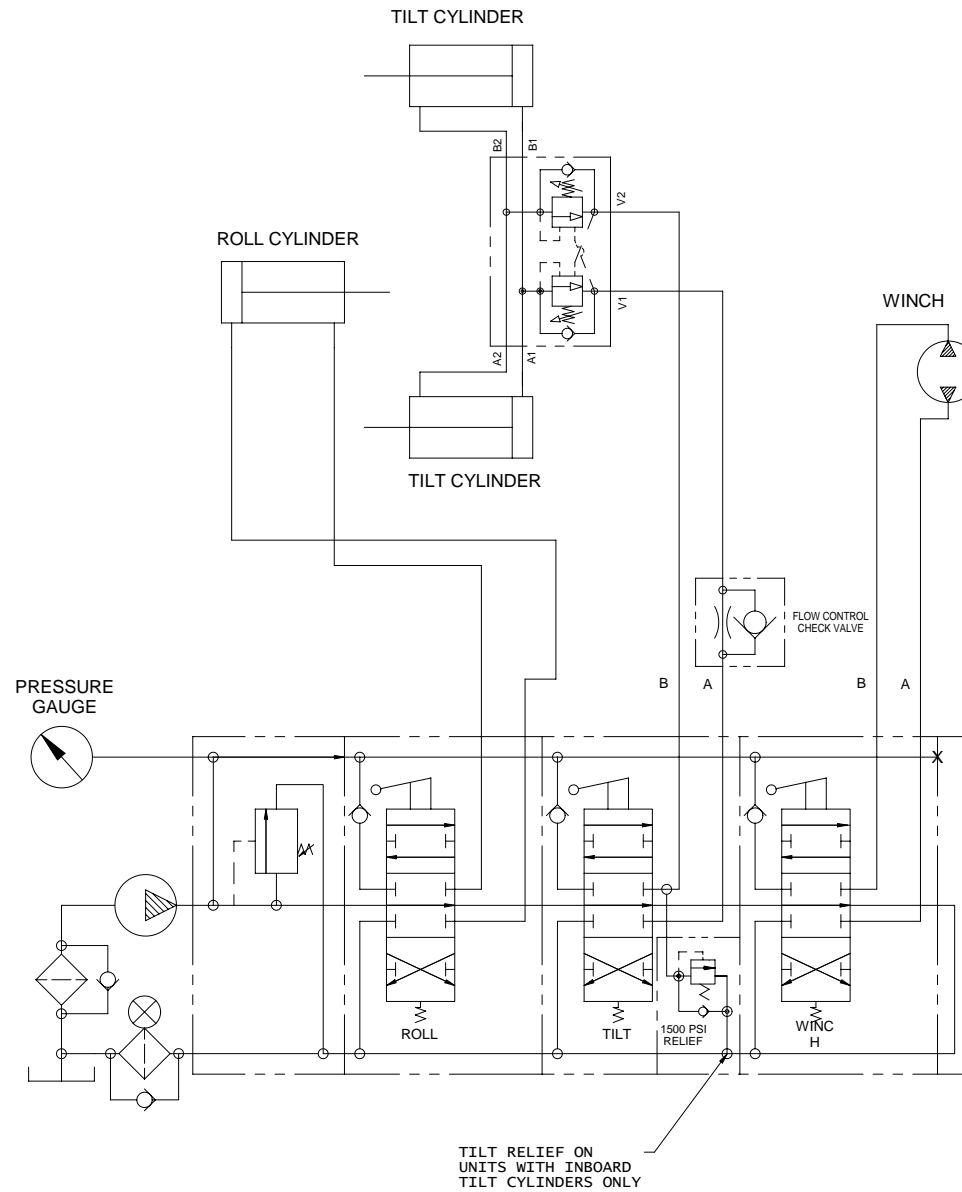
7



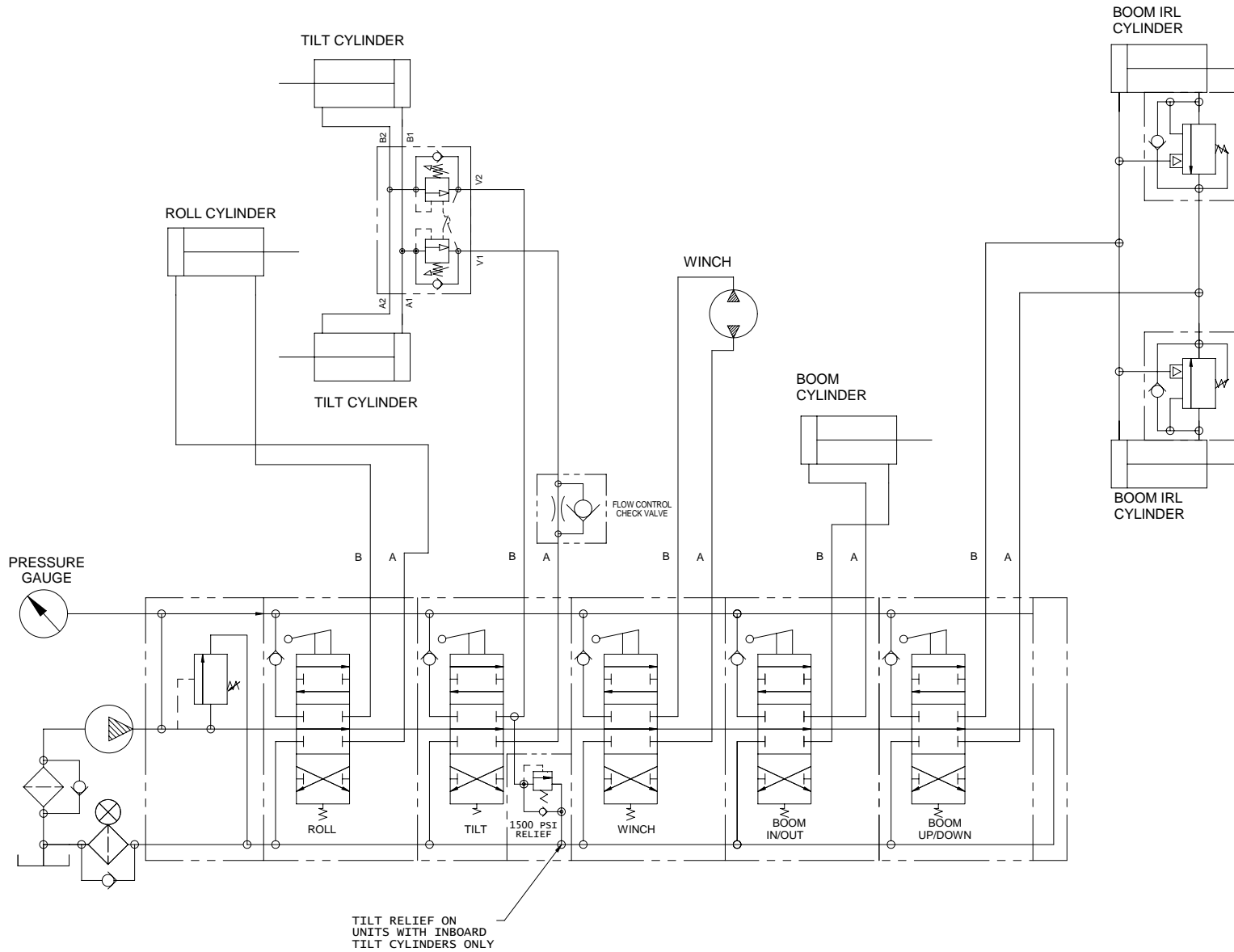
14  
15  
16

9  
10

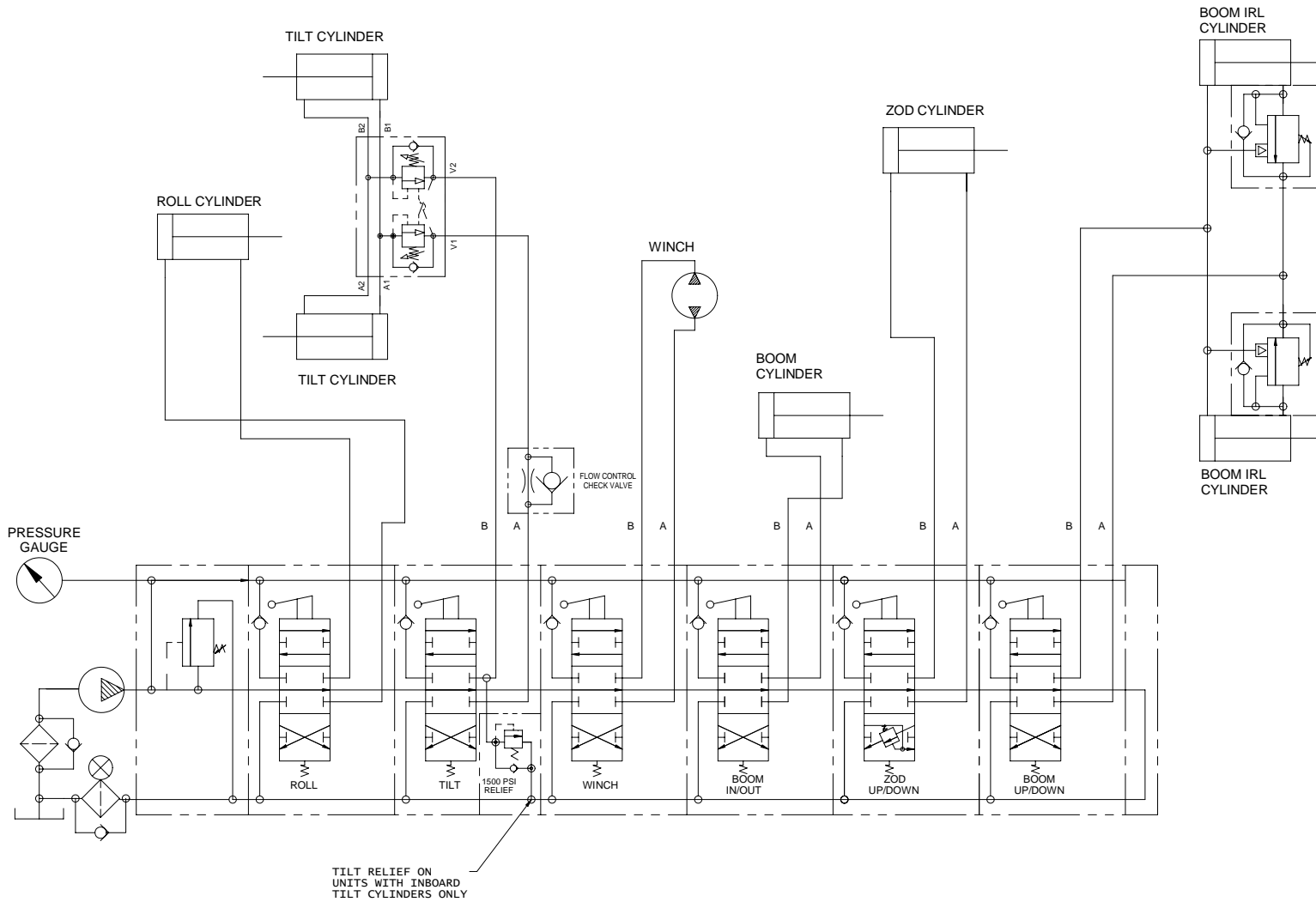
11  
12  
13

**HYDRAULIC SCHEMATIC**

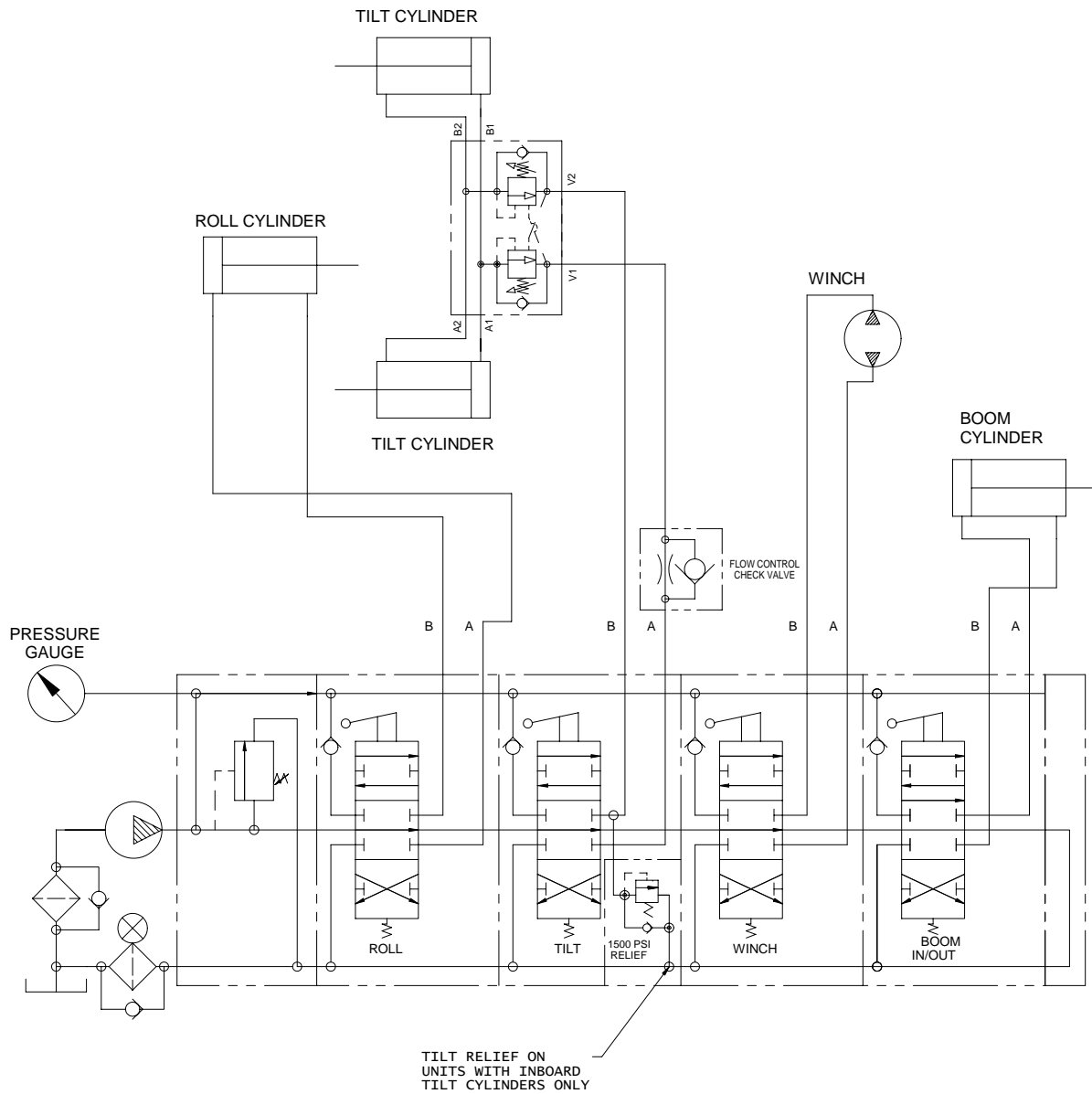
# HYDRAULIC SCHEMATIC



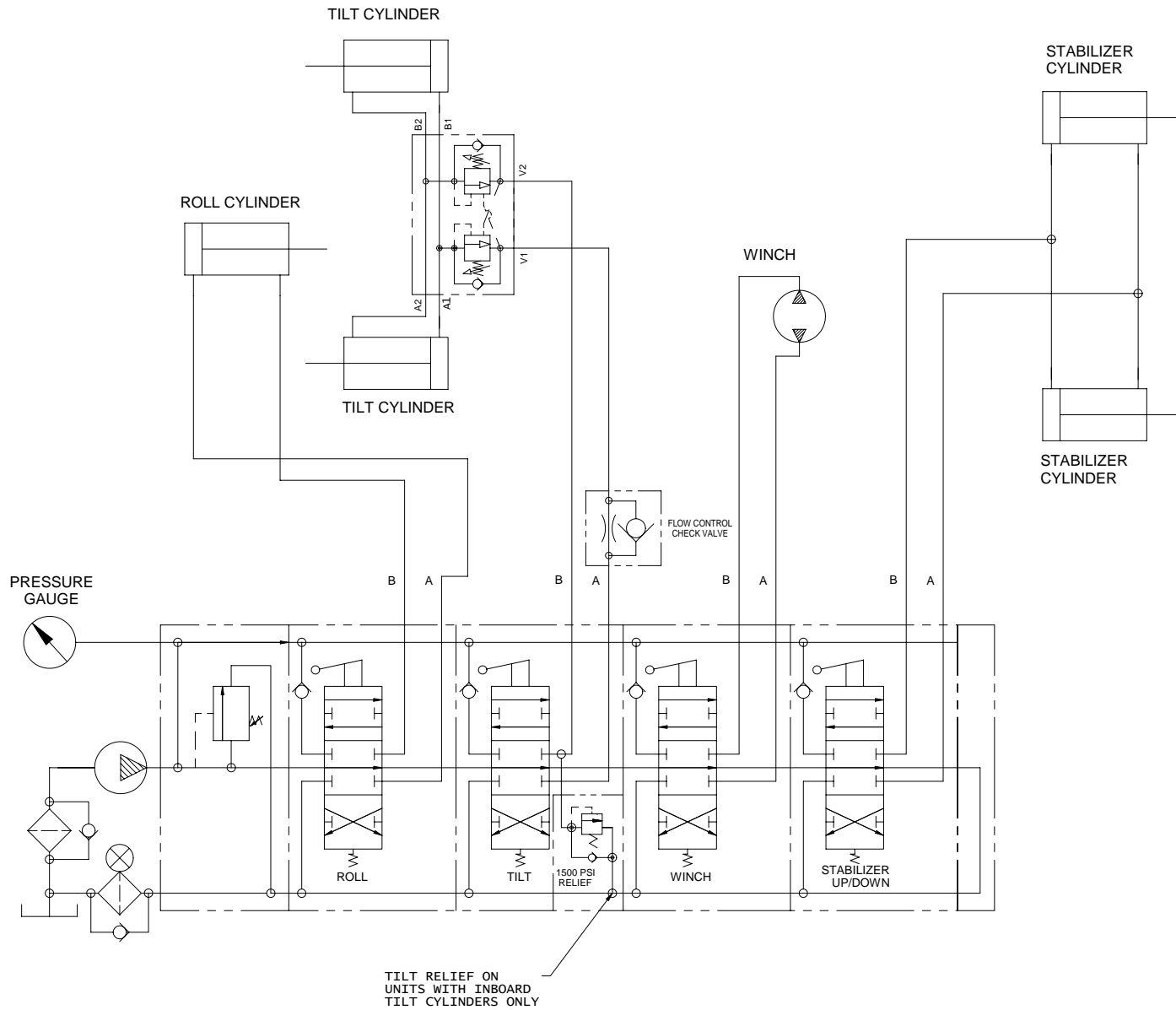
# HYDRAULIC SCHEMATIC



# HYDRAULIC SCHEMATIC

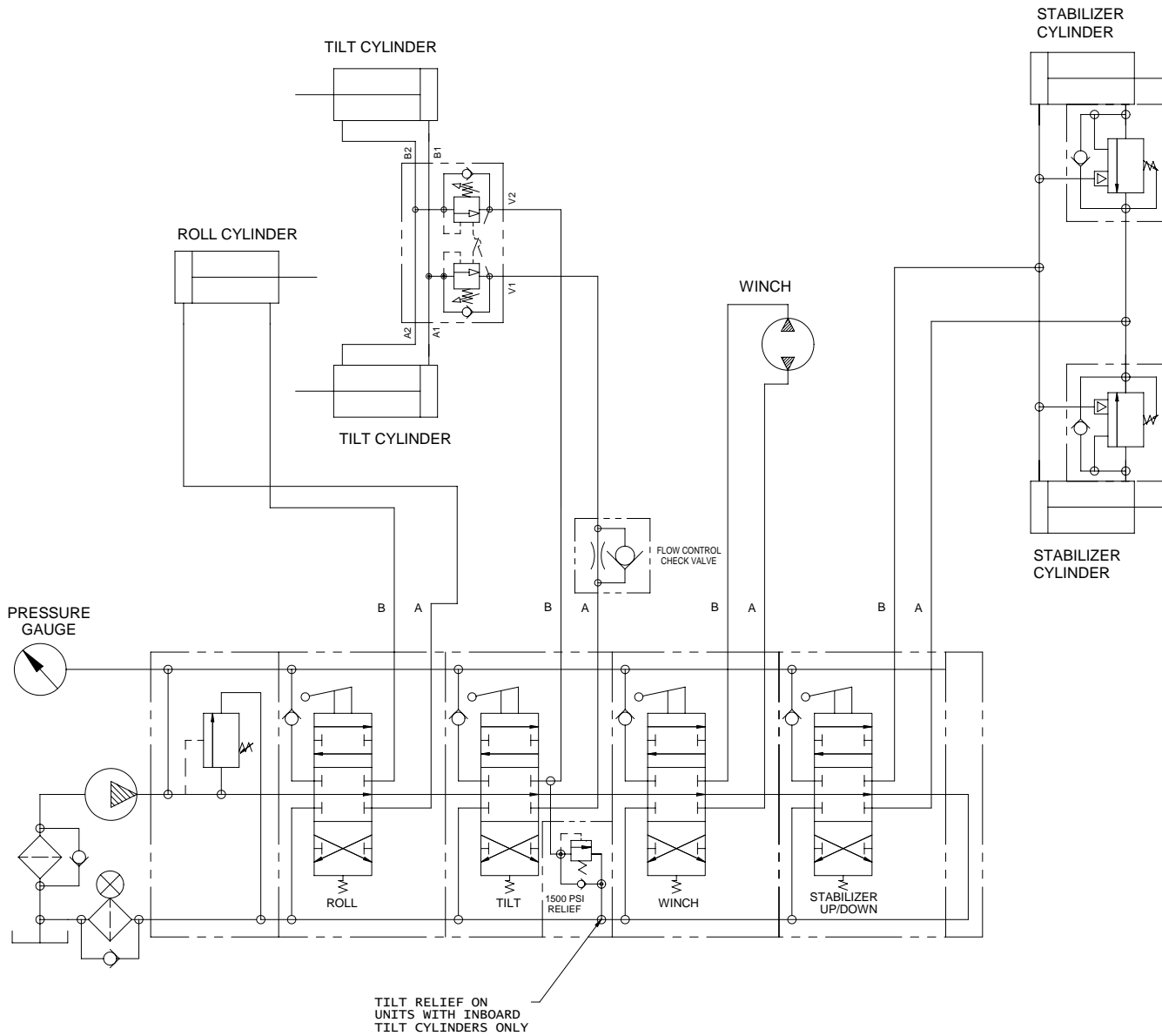


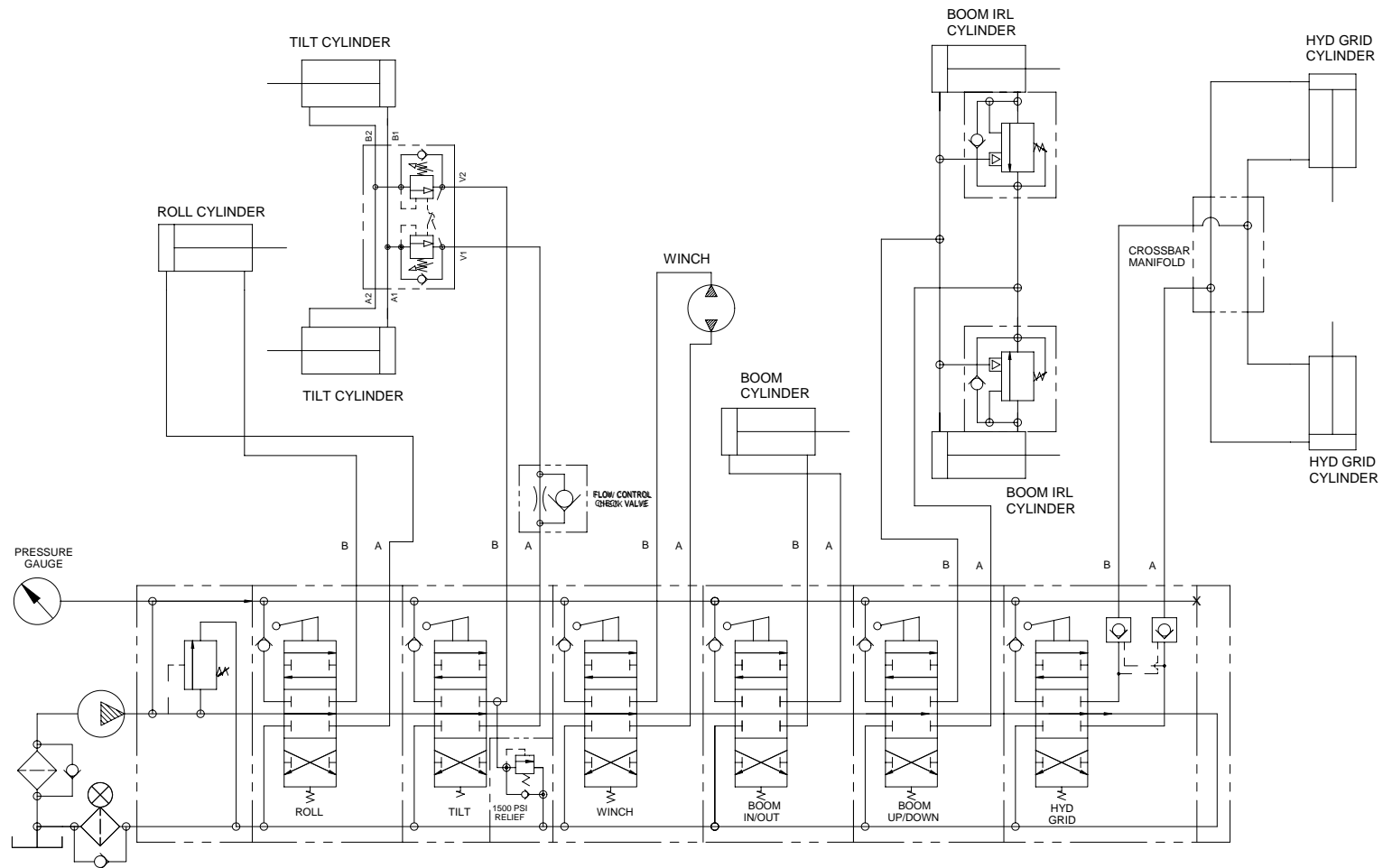
TILT RELIEF ON  
UNITS WITH INBOARD  
TILT CYLINDERS ONLY

**HYDRAULIC SCHEMATIC**

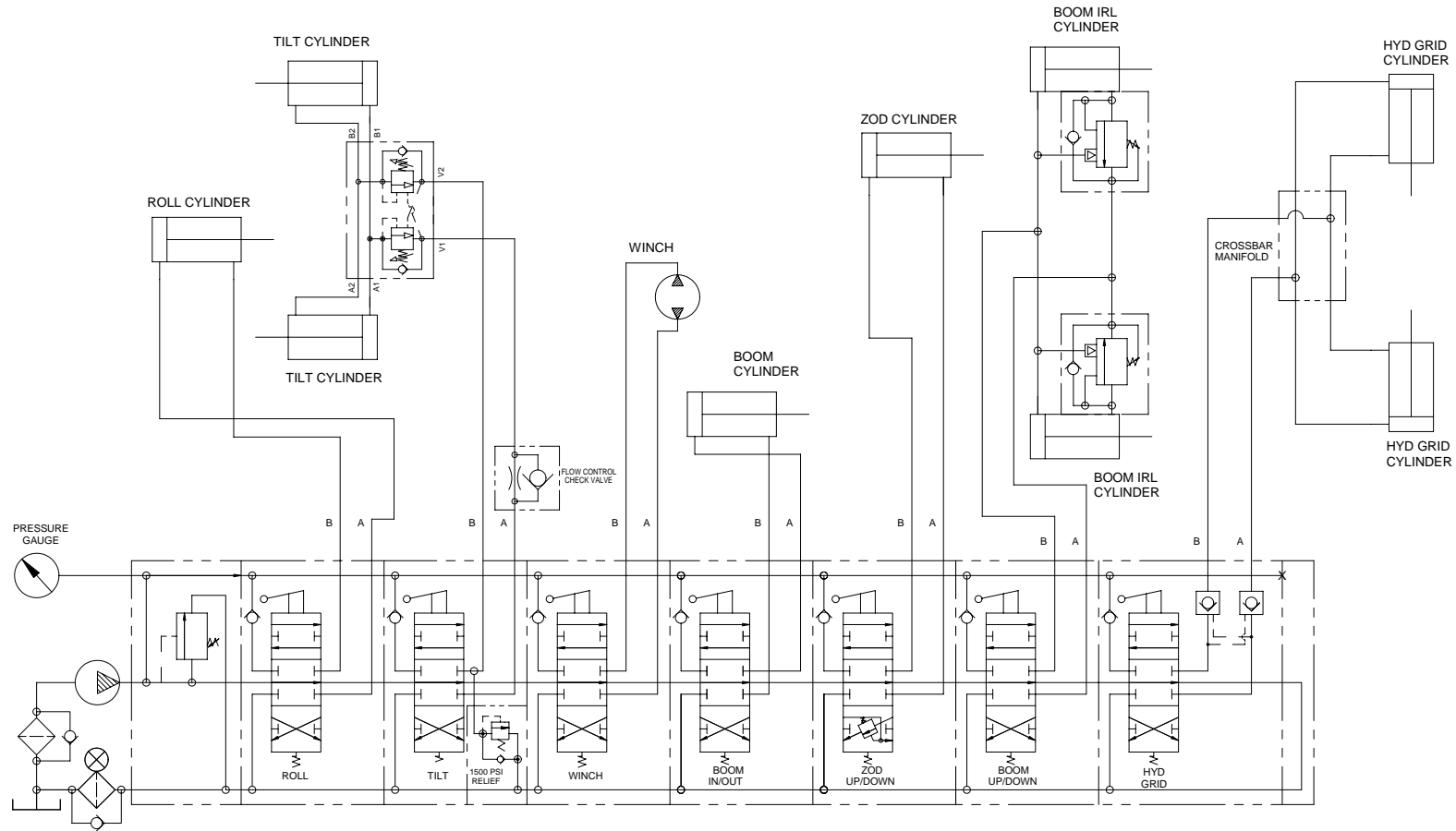


# HYDRAULIC SCHEMATIC



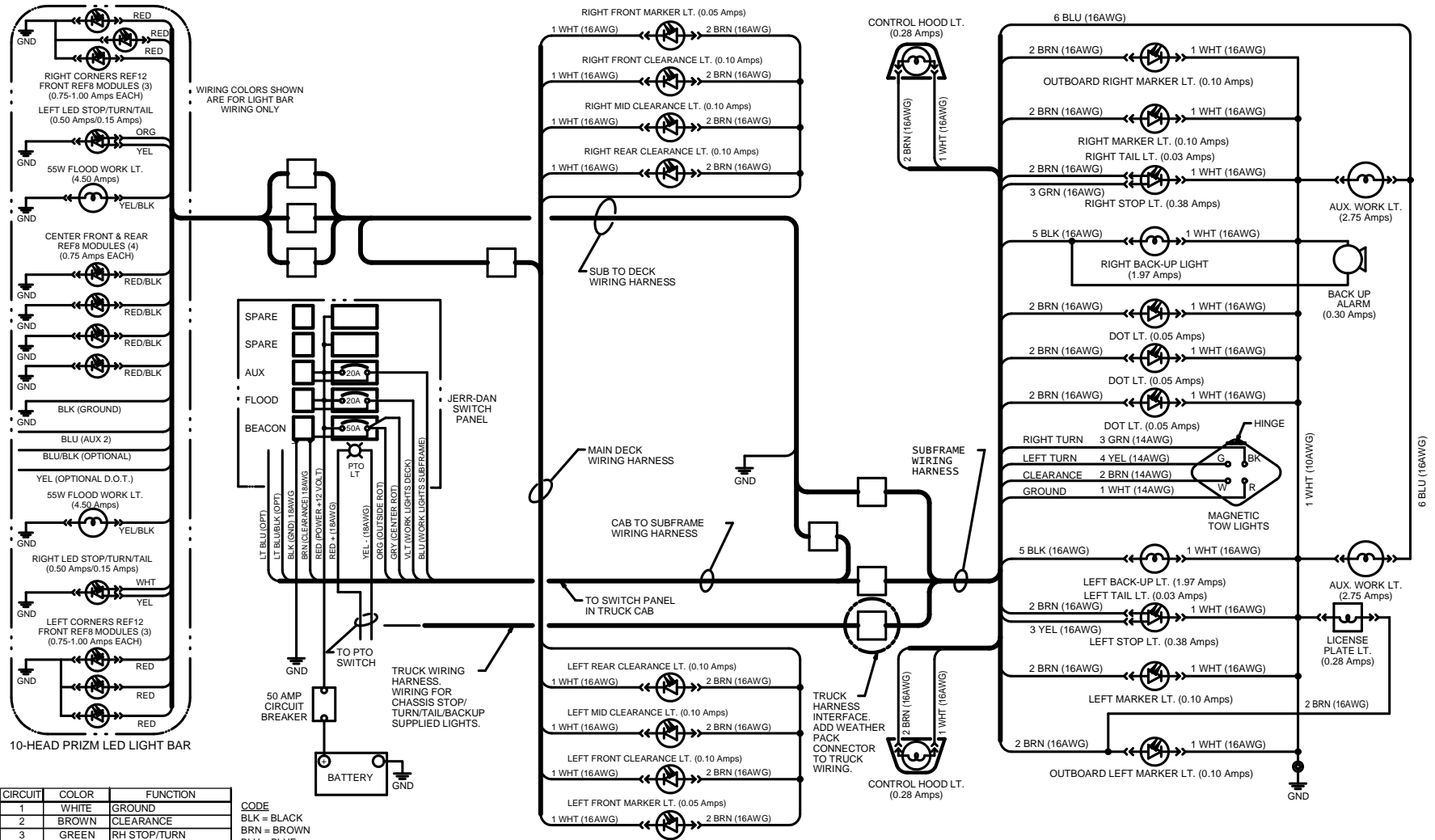
**HYDRAULIC SCHEMATIC**

# HYDRAULIC SCHEMATIC



**THIS PAGE INTENTIONALLY LEFT BLANK**

# ELECTRICAL SCHEMATIC



CIRCUIT	COLOR	FUNCTION
1	WHITE	GROUND
2	BROWN	CLEARANCE
3	GREEN	RH STOP/TURN
4	YELLOW	LH STOP/TURN
5	BLACK	BACK-UP
6	BLUE	WORK LIGHTS (SUBFR)
7	VIOLET	WORK LIGHTS (LT-BAR)
8	GRAY	BEACON (ROTATORS)
9	ORANGE	AUX 1 (FLASHER)
10	LT BLUE/BLACK	OPTION
11	LT BLUE	AUX 2

CODE  
 BLK = BLACK  
 BRN = BROWN  
 BLU = BLUE  
 GRN = GREEN  
 RED = RED  
 YEL = YELLOW  
 LT = LIGHT  
 WHT = WHITE

**PART NUMBER INDEX**

<b>Part Number</b>	<b>Page</b>	<b>Part Number</b>	<b>Page</b>	<b>Part Number</b>	<b>Page</b>	<b>Part Number</b>	<b>Page</b>
440287 .....	42	70050192.....	306	70050330 .....	322	70050638 .....	236
641436.....	30	70050193.....	306	70050331 .....	322	70050639 .....	236
651822.....	43	70050194.....	306	70050456 .....	300, 302	70050640 .....	236
691810.....	216, 218	70050195.....	306	70050457 .....	300, 302	70050641 .....	236
741512.....	64	70050196 .....	306	70050458 .....	300, 302	70050642 .....	236
761015 .....	100	70050197.....	306	70050459 .....	300, 302	70050643 .....	236
3321701 .....	42	70050198.....	306	70050460 .....	300, 302	70050644 .....	236
4751300 .....	188, 190, 192, 194	70050199.....	306	70050461 .....	300, 302	70050659 .....	120
4761800.....	216, 218	70050200 .....	306	70050462 .....	300, 302	70050660 .....	314
4891800 .....	76	70050201 .....	306	70050463 .....	300, 302	70050662 .....	302
5251215 .....	92	70050203 .....	306	70050464 .....	300, 302	70050663 .....	306
5261000.....	100	70050204 .....	306	70050465 .....	300, 302	70050664 .....	306
7027336.....	236	70050205 .....	306	70050466 .....	300, 302	70050665 .....	306
7027338.....	236	70050206 .....	306	70050467 .....	322	70050666 .....	306
7027341.....	236	70050207 .....	306	70050468 .....	322	70050667 .....	306
70050012.....	304	70050308 .....	310, 312, 318	70050525 .....	300, 302	70050668 .....	318, 320
70050031 .....	290	70050309 .....	310, 312, 318	70050612.....	300, 302	70050669 .....	318
70050065 .....	296, 298	70050310.....	310, 312, 318	70050613.....	300, 302	70050670 .....	318
70050100 .....	302	70050311.....	310	70050614.....	300, 302	70050671 .....	318
70050163.....	306	70050312.....	310, 312, 318, 320, 322	70050615.....	300, 302	70050672 .....	318
70050164 .....	304	70050313.....	310, 318, 320, 322	70050616 .....	290, 300, 302	70050673 .....	318
70050166 .....	304	70050314.....	310, 318, 320, 322	70050617.....	300, 302	70050674.....	318, 320
70050167.....	304	70050315.....	310, 312, 322	70050618.....	300, 302	70050675 .....	320
70050169.....	306	70050316.....	310, 312, 318, 320, 322	70050619.....	290, 300, 302	70050677 .....	294, 296
70050170.....	306	70050317.....	310	70050620 .....	300, 302	70050678 .....	292, 294, 296
70050172.....	306	70050318.....	310, 312	70050621 .....	300, 302	70050679 .....	292, 294, 296, 298
70050174.....	306	70050319.....	310, 312, 314, 316, 322	70050622 .....	300, 302	70050680 .....	294, 296
70050175.....	306	70050320 .....	312	70050625 .....	300, 302	70050681 .....	294, 296
70050182.....	306	70050321 .....	312	70050626 .....	300, 302	70050682 .....	292, 294, 296, 298
70050183.....	306	70050322 .....	312	70050627 .....	300, 302	70050685 .....	296
70050185.....	306	70050323 .....	314, 316	70050628 ....	290, 294, 296, 300, 302	70050686 .....	296, 298
70050186.....	306	70050324 .....	314, 316	70050632 .....	236	70050687 .....	296, 298
70050187.....	306	70050325 .....	316, 322	70050633 .....	236	70050688 .....	296, 298
70050188.....	306	70050326 .....	316	70050634 .....	236	70050689 .....	296, 298
70050189.....	306	70050327 .....	316	70050635 .....	236	70050690 .....	290
70050190 .....	306	70050328 .....	322	70050636 .....	236	70050691 .....	290
70050191.....	306	70050329 .....	322	70050637 .....	236	70050692 .....	290

# PART NUMBER INDEX

Part Number	Page	Part Number	Page	Part Number	Page	Part Number	Page
70050694	292, 298	1001134510	60	1001144448	42	1001155972	98, 100
70050695	298	1001134994	64	1001144486	42	1001155975	118
70050696	298	1001134995	64	1001144491	42	1001156006	104
70050697	298	1001135123	68	1001144498	42	1001156081	100
70050698	298	1001135157	68	1001144499	42	1001156082	98
70050701	302	1001135158	68	1001144543	42	1001156245	50, 54
70050721	304	1001135177	64	1001144986	182	1001156246	50, 54
70050722	304	1001135178	64	1001145074	182	1001156247	50, 54
70050723	320	1001135272	124, 126, 128	1001145075	182	1001156248	50, 54
78700000	316	1001135329	130	1001145629	182	1001156249	50, 54
1001100949	186	1001136989	260, 304	1001145636	42	1001156252	288
1001126187	294, 296	1001136993	260, 304	1001145780	42	1001158626	188, 190, 192, 194
1001126188	294, 296	1001137904	206	1001145934	42	1001158627	192
1001126192	294, 296	1001137970	12, 14, 18, 20, 22, 42	1001145935	42	1001159336	186
1001127221	288	1001138460	24	1001145963	42	1001160362	92
1001127297	216, 218	1001138522	42	1001145980	43	1001160363	92
1001127985	43	1001138546	42	1001145986	126, 338	1001160365	92
1001128462	8	1001139199	42	1001145987	43	1001164169	92
1001129165	32	1001139343	42	1001146027	43	1001168591	288
1001129167	32	1001139503	30	1001146028	42	1001170187	124, 126, 128, 130, 132
1001129169	32	1001141875	30	1001146029	43	1001170188	124, 126, 128, 130, 132
1001129171	32	1001141889	30	1001146552	120	1001170189	124, 126, 128
1001129173	32	1001141918	30	1001146603	128, 340	1001170190	132
1001129362	26	1001142430	120	1001147117	76	1001170191	130
1001129364	26	1001142461	42	1001148180	120	1001173944	80
1001129378	26	1001142543	42	1001148308	258	1001173945	80
1001129379	26	1001142550	42	1001148385	120	1001173946	80
1001130605	134	1001142553	42	1001148455	120	1001173947	80
1001130702	304	1001142769	186	1001150704	42	2002000016	276
1001131644	60	1001142962	42	1001153789	288	2178000037	276
1001132350	30	1001143063	182	1001153944	196, 198, 200, 202, 204	2346000008	276
1001132764	288	1001143064	182	1001153945	196, 198, 200, 202, 204	2870000021	262
1001132766	288	1001143227	120	1001153946	196, 198, 200, 202, 204	2870000022	262
1001132794	100	1001143257	120	1001153947	196, 198, 200, 202, 204	2970000019	48
1001133195	32	1001143642	182	1001153950	196, 198, 200, 202, 204	2970000021	48
1001133225	32	1001143690	182	1001153971	196, 198, 200, 202, 204	2970000050	52
1001133740	338, 340	1001143764	124, 126, 128, 130, 132	1001155971	98, 100	2970000051	52

Part Number	Page	Part Number	Page	Part Number	Page	Part Number	Page
2970000052	52	3071000117	250	3178000437	114	3553000011	238, 242, 244, 250, 252, 258
2970000053	52	3071000218	258	3178000555	282	3553000016	240, 246, 248, 254, 256
3002000008	282	3097000129	12	3190000034	78	3556000019	266
3002000009	282	3097000653	12	3190000037	78	3556000023	232, 234
3017000103	60, 64, 68	3097000654	12	3190000049	78	3558000013	60, 64, 68
3017000121	12, 14, 18, 22	3097000655	8	3190000050	78	3558000014	60, 64, 68
3017000122	12, 14, 18, 22	3097000656	8	3316000054	64	3560000010	124, 126, 128, 130, 132
3017000127	12, 14, 18, 22	3097000661	10	3320000114	188, 190, 192, 194, 212, 214, 216, 218, 220, 226, 232, 238	3577000120	286
3017000128	12, 14, 18, 22	3097000662	10	3320000115	188, 190, 192, 194, 240	3592000036	188
3017000129	14, 18, 22	3097000663	12	3320000116	220, 222, 226, 228, 232, 234, 242	3592000051	206
3017000130	12, 14, 18, 22	3097000664	12	3320000117	216, 244	3592000052	206
3017000135	20	3097000665	8	3320000118	192, 246	3592000054	190
3017000136	20	3097000666	8	3320000120	64, 248	3592000057	188
3017000137	20	3097000671	10	3320000122	60, 250	3691000064	216, 218, 220, 222, 224, 226, 228, 230
3017000138	20	3097000672	10	3320000134	190, 252	3691000069	188, 192
3017000139	20	3097000673	12	3320000135	254	3691000073	232, 234
3017000140	20	3097000674	12	3320000154	68	3691000092	190, 194
3017000259	18, 22	3097000675	8	3320000157	194	3691000097	222, 224, 228, 230, 234
3017000260	18, 22	3097000676	8	3320000236	60, 64, 68, 258	3691000164	188, 190, 192, 194, 220, 226, 232
3017000261	18, 22	3097000681	10	3391000014	32	3691000165	212, 214, 216, 218
3017000262	18, 22	3097000682	10	3391000017	28, 32	3691000166	60, 64, 68, 188, 190, 192, 194, 212, 214, 216, 218, 220, 222, 224, 226, 228, 230
3020000029	202, 204	3170000048	232, 234	3391000018	32	3691000222	206
3020000030	202, 204	3170000170	188	3391000020	28	3691000229	206
3020000072	196, 198, 200	3170000208	226, 228, 230	3391000021	28	3691000230	206
3020000097	188, 190, 192, 194, 220, 226, 232	3170000237	192	3391000022	28	3691000273	60, 68
3020000110	190, 194	3170000275	220, 226, 232	3484000034	196, 198, 200	3698000001	238, 242, 244, 250, 252, 258
3020000111	206	3170000276	222, 224, 228, 230, 234	3484000035	196, 198, 200	3698000006	240, 246, 248, 254, 256
3020000112	206	3170000428	190, 194	3484000050	202, 204	3750000018	104
3020000113	188, 192	3170000445	188	3484000051	202, 204	3763000118	238, 252
3020000114	196, 198	3170000450	188	3484000074	206	3763000119	240
3020000115	206	3170000456	188	3550001747	200		
3071000105	238, 252	3170000460	192	3550001912	268		
3071000106	240	3170000504	192	3551000011	196, 198, 200		
3071000107	242, 244	3177000053	82	3551000036	196, 198, 200, 202, 204		
3071000109	246, 254, 256	3177000054	82				
3071000111	248	3178000347	40				
		3178000433	38				



Part Number	Page	Part Number	Page	Part Number	Page	Part Number	Page
3763000120.....	242, 244	4017000739.....	188, 190, 192, 194	4178000339.....	104	4314000043.....	78
3763000122.....	246, 254, 256	4017000777.....	104	4178000367.....	60, 64, 68	4314000117.....	206
3763000123.....	248	4017001250.....	64	4178000372.....	280	4314000118.....	206
3763000127.....	250	4017001271.....	60, 68	4178000402.....	260, 264	4314000189.....	206
3811000053.....	116, 118	4017001403.....	112	4178000403.....	262	4314000200.....	78
3811000054.....	116, 118	4017001407.....	68	4178000421.....	86, 88, 96	4314000204.....	78
3811000055.....	116, 118	4017001499.....	52	4178000423.....	264	4330000001.....	232, 234
3811000057.....	116, 118	4017001550.....	76	4178000427.....	262	4330000002.....	220, 222, 224, 226, 228, 230, 234
3849000021.....	212	4017001566.....	80	4178000437.....	260	4330000645.....	226, 228, 230
3849000022.....	216, 218	4017001567.....	80	4178000474.....	88	4330000646.....	226, 228, 230
3849000023.....	214	4017001587.....	76	4178000475.....	88	4497000358.....	60, 64, 68
3849000041.....	214	4017001699.....	12, 14, 18, 22	4178000578.....	114	4553000008.....	238, 242, 244, 250, 252, 258
3899000053.....	104	4017001700.....	12, 14, 18, 22	4178000599.....	110	4553000016.....	240, 246, 248, 254, 256
3899000075.....	104	4017001705.....	12, 14, 18, 22	4178000664.....	270, 272	4567110032.....	160, 162, 166
3899000125.....	110	4017001706.....	12, 14, 18, 22	4178000665.....	270, 272	4567110034.....	162, 164, 166
3899000126.....	110	4017001707.....	12, 14, 18, 22	4178000666.....	276	4567110038.....	162, 166
3899000127.....	110	4017001708.....	12, 14, 18, 22	4178000673.....	48, 52	4567110042.....	162, 166
3899000130.....	104	4017001713.....	20	4178000674.....	52, 54	4567112039.....	134
3899000131.....	104	4017001714.....	20	4178000682.....	88	4567112042.....	172, 174
3899000132.....	104	4017001715.....	20	4178000747.....	94	4567120015.....	134
3899000133.....	104	4017001716.....	20	4178000805.....	60	4567120017.....	134
3899000172.....	104	4017001717.....	20	4178000863.....	78	4567120024.....	170
3899000173.....	110	4017001718.....	20	4178000873.....	20	4567120025.....	164, 166
3905000012.....	60, 64, 68	4017001742.....	80	4178000874.....	20	4567122012.....	162, 166
3911000062.....	220, 222, 224	4017001743.....	80	4209000145.....	48, 52	4567122014.....	160, 162, 164, 166, 168, 170, 172
3913000093.....	196, 202	4062000281.....	84	4209000146.....	50, 54	4567122027.....	134
3913000096.....	196, 202	4062000318.....	34, 36	4209000147.....	48, 50, 52, 54	4567122032.....	160, 162, 164, 166, 168, 170, 172
3913000098.....	198, 204	4120000008.....	232, 234	4209000177.....	48, 52	4567122038.....	134
3913000099.....	198, 204	4178000202.....	280	4209000328.....	48, 52	4567122050.....	168, 170
3935000111.....	324	4178000203.....	280	4209000337.....	60, 68	4567123034.....	160, 162, 164, 166, 172
3935000115.....	124, 326	4178000203.....	280	4209000358.....	60, 68	4567123042.....	134
3935000116.....	126, 328	4178000283.....	84	4211000001.....	124, 126, 132, 270, 272	4567123044.....	134
3935000117.....	128, 330	4178000287.....	84	4254000005.....	42, 202, 204	4567430118.....	134
3935000118.....	130, 332	4178000290.....	104	4259000001.....	202, 204		
3935000125.....	130	4178000291.....	104	4259000002.....	202, 204		
3935000150.....	132, 334	4178000330.....	104	4263000464.....	132		
3935000166.....	130, 336	4178000331.....	104	4277000005.....	94		
		4178000338.....	104				

Part Number	Page	Part Number	Page	Part Number	Page	Part Number	Page
4569432115.....	134	4691000268.....	188, 190, 192, 194	4706005396.....	272	7002000285.....	342
4569433115.....	134	4691000278.....	196, 198, 200, 202, 204	4706005551.....	24	7002000385.....	280
4570000195.....	134	4691000296.....	188, 190, 192, 194	4706005595.....	270	7002000386.....	280
4570000198.....	134	4691000354.....	202, 204	4706005958.....	60, 64, 68	7002000404.....	342
4570000210.....	162, 166	4691000357.....	202, 204	4706006216.....	116, 118	7002000410.....	104
4570000211.....	162, 166, 206	4691000373.....	270, 272	4706006228.....	12, 14, 18, 20, 22	7002000447.....	342
4570000212.....	206	4691000374.....	270, 272	4706006234.....	110	7002000448.....	342
4570000234.....	162, 166, 206	4691000421.....	40, 42	4763000184.....	42, 202, 204	7002000449.....	342
4577000002.....	160	4691000429.....	60, 64, 68, 216, 220, 222, 226, 228, 232, 234	4763000204.....	258	7002000451.....	342
4587000004.....	48, 50	4691000430.....	216, 220, 222, 226, 228, 232, 234	4763000348.....	43, 48, 50, 52, 54	7002000503.....	342
4587000005.....	52, 54	4691000527.....	206	4796000003.....	28, 32	7002000521.....	342
4606000217.....	124, 126, 128, 130, 132	4691000568.....	268	4796000009.....	110	7005000003.....	270, 272
4619000013.....	162, 166, 206	4691000573.....	60, 64, 68	4796000010.....	110	7011000007.....	78
4632000009.....	48, 50	4698000007.....	238, 242, 244, 250, 252, 258	4796000011.....	110	7082000010.....	48, 50, 52, 54
4632000015.....	104	4698000015.....	240, 246, 248, 254, 256	4796000012.....	110	7082000016.....	188, 190, 192, 194, 220, 222, 224, 226, 228, 230, 232, 234, 238, 246, 248, 250, 252, 254, 256
4632000048.....	104	4705000507.....	68	4796000037.....	26, 28, 120	7082000017.....	60, 64, 68, 188, 190, 192, 194, 212, 214, 216, 218, 220, 226, 232
4679000046.....	188, 190, 192, 194	4705000607.....	32	4806000011.....	38	7082000018.....	188, 190, 192, 194, 220, 226, 232, 238, 252
4679000145.....	72	4705000608.....	32	4806000014.....	38, 42	7082000026.....	206, 236
4679000151.....	60, 64, 68	4706000233.....	74, 76	4809000003.....	84, 94	7082000027.....	206
4679000153.....	60, 64, 68	4706002361.....	104	4811000841.....	112	7104100613.....	272
4679000154.....	72	4706003038.....	134	4811000843.....	112	7105150850.....	84, 94
4679000208.....	54	4706003210.....	280	4811000868.....	112	7105171050.....	82, 98, 100
4679000211.....	188, 190, 192, 194	4706003497.....	206	4812000071.....	60, 64, 68	7105171450.....	82
4679000221.....	60, 64, 68	4706003501.....	206	4812000072.....	60, 64, 68	7105180153.....	32
4679000256.....	104, 110	4706003650.....	272	4831000069.....	124, 126, 128, 130, 132	7105181650.....	60, 64, 68, 88, 104
4679000257.....	104, 110	4706003766.....	38	4831000109.....	206	7105201250.....	82
4679000258.....	104, 110	4706003792.....	40	4831000112.....	206	7105201650.....	26, 28, 98, 100, 120
4679000268.....	206	4706003844.....	100, 138, 140, 142, 144, 146, 150, 152, 154, 156, 158	4892000008.....	26, 28	7105201850.....	60, 68, 120
4679000322.....	104, 110	4706004383.....	74	4892000009.....	26, 28	7105202050.....	120
4686000295.....	26, 28	4706005020.....	110	4912000130.....	38, 42	7105202250.....	60, 64, 68
4686000296.....	26, 28	4706005021.....	110	4912000345.....	40, 42	7110140605.....	280
4686000301.....	26, 28	4706005022.....	110	4912000394.....	38		
4686000302.....	26, 28	4706005361.....	270, 272	4949000047.....	196, 198, 200, 202, 204, 206		
4691000141.....	270			4949000072.....	206		
4691000183.....	202, 204			5525000752.....	284		
4691000186.....	42, 202, 204			5526000553.....	160		
4691000198.....	206						

Part Number	Page
7111140850.....	280
7111150813.....	276
7111150864.....	74, 76
7111151264.....	76
7111161050... 124, 126, 128, 130, 132	
7114080618.....	272
7114100810.....	270
7114100818.....	60, 64, 68
7114101018.....	186
7114101618.....	134
7114140465.....	110
7114140518.....	206
7114140528... 78, 188, 190, 192, 194, 214, 216, 218, 220, 222, 224, 226, 228, 230, 232, 234	
7114140529.....	78
7114150818.....	80
7114151218.....	60, 64, 68
7114161618.....	120
7114181218.....	268
7114181418.....	282
7115140650 ... 42, 124, 126, 128, 130, 132, 272	
7115140850.....	78
7115141450.....	280
7115141650.....	280
7115150423.....	206
7115150664 .. 124, 126, 128, 130, 132	
7115150850 48, 50, 52, 54, 104, 112, 124, 126, 128, 130, 132	
7115150864.....	270, 272
7115151050.....	76, 82, 84, 138, 140, 142, 144, 146, 148, 150, 152, 154, 156, 158

Part Number	Page
7115151064.....	100, 138, 140, 142, 144, 146, 150, 152, 154, 156, 158, 280
7115151250.....	76, 206
7115151264.....	76
7115151650.....	134
7115151850.....	54, 134
7115160950 ... 64, 116, 118, 188, 190, 192, 194, 212, 214, 216, 218, 220, 222, 224, 226, 228, 230, 232, 234	
7115161050.....	60, 68, 342
7115162450.....	60, 64, 68
7115180606.....	282
7115180650.....	42, 60, 64, 68
7115180850.....	40, 42, 260
7115181005.....	94
7115181050 18, 22, 40, 134, 280, 342	
7115181064... 78, 124, 126, 128, 130, 132	
7115181223.....	20
7115181250.....	34, 120
7115181450.....	30
7115181464.....	34, 36, 38, 276
7115181664.....	284
7115181864.....	34, 36
7115182050.....	266
7115182264.....	34, 36
7115182864.....	34, 36
7115183264.....	34, 36
7115183664.....	14, 34, 36
7115221650.....	60, 64, 68
7115222050.....	30
7118140418.....	188, 190, 192, 194
7118161026.....	60, 64, 68, 72, 206
7118181216.....	104
7120000005.....	12, 14, 18, 20, 22

Part Number	Page
7120000044.....	82
7178000044.....	76
7183000004.....	104
7209000011.....	38, 40, 42
7209000030.....	188, 190, 192, 194
7248000063.....	34, 36
7248000064.....	34, 42
7248000114.....	110
7248000115.....	206
7248000155.....	110
7253000002. 42, 196, 198, 200, 202, 204, 206	
7254000021.....	86
7262000010.....	284
7262000022.....	284
7262000040.....	284
7262000056.....	284
7274000002.....	134
7274000038.....	134
7274000039.....	134, 206
7274000040 100, 134, 138, 140, 142, 144, 146, 148, 150, 152, 154, 156, 158	
7274000041.....	134, 138, 140, 142, 144, 146, 148, 150, 152, 154, 156, 158
7274000042 134, 138, 140, 142, 144, 146, 148, 150, 152, 154, 156	
7274000046.....	60, 64, 68
7274000063. 124, 126, 128, 130, 132	
7274000066.....	134
7274000073.....	206
7274000076... 82, 138, 140, 142, 144, 146, 148, 150, 152, 154, 156, 158	
7274000080.....	134
7274000086.....	206

Part Number	Page
7274000105.....	100
7277000001.....	84
7280000007 114, 124, 126, 128, 130, 132	
7280000011.....	264
7280000013.....	176, 178
7280000019.....	30
7291000010. 188, 190, 192, 194, 214, 216, 218, 220, 222, 224, 226, 228, 230, 232, 234	
7295000102.....	272
7295000103.....	272
7295000106.....	270
7295000108.....	270
7295000109.....	270
7295000111.....	270
7309000002.....	48, 50, 52, 54
7312000013.....	276
7312000015.....	276
7312000016.....	276
7312000017.....	278
7320000064.....	206, 236
7330000012.....	288
7330000036.....	288
7330000044.....	288
7330000045.....	288
7330000060.....	288
7330000139.....	288
7330000143.....	288
7330000157.....	256
7330000176.....	288
7330000242.....	288
7330000272.....	288
7330000274.....	288
7330000275.....	288
7330000330.....	288
7330000385.....	288

Part Number	Page	Part Number	Page	Part Number	Page	Part Number	Page
7330000391 .....	288	7346000039 .....	186	7443000446 .....	134	7493000031.....	116, 118
7330000408 .....	120	7346000055 .....	276	7443040843 .....	162, 166	7550000073 .....	268
7330000417.....	196, 198, 200	7346000078 .....	276	7443060643 .....	166	7550000074 .....	268
7330000418 .....	196, 198, 200	7346000132 .....	276	7445040431 .....	42, 206	7551000017.....	43, 48, 50, 52, 54
7330000419 196, 198, 200, 202, 204, 206, 232		7346000157 .....	276	7445040443 .....	134, 162, 166, 206	7551000018.....	124, 126, 128
7330000420 .....	202, 204	7346000208 .....	274	7445040445 .....	162, 166, 206	7551000019.....	130, 132
7330000428 .....	78	7395000265 .....	334, 336	7445040446 .....	160, 162, 164, 166	7551000020..	124, 126, 128, 130, 132
7330000432 .....	202, 204	7413000013 .....	32	7445040472.....	206	7551000021..	124, 126, 128, 130, 132
7330000478 .....	288	7430000003 .....	134	7445040643 .....	274	7551000022.....	132
7330000495 .....	288	7430000014.....	104	7445040645 .....	172, 174	7552000074.....	176
7330000548 .....	132	7440030000 . 42, 196, 198, 200, 202, 204, 206, 232, 234		7445040843 160, 162, 164, 166, 172, 174		7552000075 .....	178
7330000549 .....	132	7443000013.....	134	7445041043.....	42	7552000098.....	176
7330000599 .....	288	7443000023 .....	134	7445060643 .....	134, 164, 170, 274	7552000126.....	176, 178
7330000609.....	196, 198, 200, 202, 204, 206	7443000030 .....	168, 170	7445060645 134, 160, 162, 164, 166, 168, 170, 172		7552000166 .....	176, 178, 264
7330000612 .....	272	7443000111 .....	278	7445060648 160, 162, 164, 166, 168, 170, 172		7552000177.....	176, 178
7330000628 .....	288	7443000124.....	134	7445060843 .....	134, 164, 166, 170	7552000204 .....	178
7330000648 .....	124, 126, 128	7443000129. 160, 162, 164, 166, 172		7445060845 .....	168, 170	7552000222 .....	176, 264
7330000649 .....	124, 126, 128	7443000152.....	56	7445080818.....	134	7552000241.....	274
7330000650 .....	126, 128	7443000154.....	56, 278	7445080818.....	134	7552000297 .....	114
7330000651 .....	126, 128	7443000155.....	56, 342	7445080843 .....	134	7552000360 .....	264
7330000652 .....	130	7443000156.....	56, 278	7445080853 .....	278	7552000391 .....	270
7330000653 .....	130	7443000158.....	134	7445080872 .....	42	7552000392 .....	270
7330000657 .....	130	7443000173.....	43	7445080872 .....	42	7552000393 .....	270
7330000658 .....	130	7443000244 .....	322	7445081045.....	134	7552000409 .....	184
7330000675 .....	56, 288	7443000244 .....	322	7445081643.....	134	7552000426 .....	270
7330000676 .....	56, 288	7443000319.....	134	7446382506 .....	276, 278	7552000451 .....	116, 118
7330000683 .....	288	7443000364 .....	56	7446502518.....	276, 278	7552000472 .....	186
7330000684 .....	288	7443000365 .....	56	7457000004 .....	176, 178	7555000015 .....	110
7330000696 .....	270	7443000366 .....	56, 278	7470000002 .....	134	7555000016 .....	110
7330000700 .....	288	7443000371.....	56	7470000023.....	124, 126, 128	7560000007 . 124, 126, 128, 130, 132	
7330000864 .....	130	7443000377 .....	114	7470000027.....	104	7561000024 .....	284
7330000865 .....	130	7443000427 .....	274	7493000002 .....	78, 186	7565000014 .....	56, 276, 278
7345001714 .....	186	7443000428 .....	274	7493000003 .....	264	7565000016 .....	43, 56
7345221902 .....	176, 178	7443000431 .....	322	7493000009 ....	32, 78, 180, 182, 184	7565000019 .....	310, 312, 318
7345241902.....	176, 178	7443000432 .....	274	7493000010.....	78, 180	7570000016 .....	84, 96
		7443000440 .....	274	7493000023 .....	78	7570000017.....	84, 86, 96
		7443000443 .....	56			7570000023 .....	86

Part Number	Page
7570000025 .....	88
7570000031 .....	86
7570000035 .....	96
7577000145.....	276
7577000194.....	176, 178
7577000208 .....	284
7577000215.....	324, 326
7577000216.....	328, 338
7577000217.....	330, 340
7577000218.....	332, 336
7577000238 .....	334
7577000242.....	284
7577000343 324, 326, 328, 330, 332, 334, 336, 338, 340	
7577000376.....	284
7577000483 .....	90
7577250024 238, 242, 244, 250, 252, 258	
7577250206 240, 246, 248, 254, 256	
7585000019 .....	110
7590000049.....	312
7590000113.....	78
7590000132 .....	180
7590000133 .....	180
7590000148 .....	180
7590000185 .....	264
7590000223 .....	264
7590000251 .....	78
7590000273 .....	114
7590000339 .....	180
7590000340 .....	78
7590000341 .....	78
7590000342.. 32, 116, 118, 180, 182, 184	
7590000343.....	78, 180, 182
7590000403 .....	260, 306

Part Number	Page
7590000432 .....	186
7592000005 .....	110
7626000014 .....	34
7638000004.....	74, 76
7638000013 .....	74, 76
7640000002.....	56
7660082604 .....	272
7660102604 .... 60, 64, 68, 134, 186, 270	
7660140000 .....	280
7660140001.....	42
7660142600.....	280
7660142601.....	
30, 78, 124, 126, 128, 130, 132, 188, 190, 192, 194, 214, 216, 218, 220, 222, 224, 226, 228, 230, 232, 234, 272	
7660142604.....	110, 206
7660152601.... 48, 50, 52, 54, 60, 64, 68, 74, 76, 80, 82, 84, 100, 104, 112, 124, 126, 128, 130, 132, 134, 138, 140, 142, 144, 146, 148, 150, 152, 154, 156, 158, 206, 270, 272, 276, 280	
7660160001 .....	290
7660162601..... 60, 64, 68, 72, 116, 118, 120, 124, 126, 128, 130, 132, 188, 190, 192, 194, 212, 214, 216, 218, 220, 222, 224, 226, 228, 230, 232, 234, 282, 342	
7660172331.....	82, 98, 100
7660180000 .....	280
7660180001 .....	42, 284
7660180201.....	290
7660180234 .....	43, 48, 50, 52, 54
7660182301.....	104

Part Number	Page
7660182304 .....	30
7660182333... 32, 60, 64, 68, 88, 104	
7660182601..... 12, 14, 18, 20, 22, 24, 34, 36, 38, 42, 60, 64, 68, 78, 94, 120, 124, 126, 128, 130, 132, 266, 268, 276, 282, 284, 342	
7660182631..... 48, 50, 52, 54	
7660200035 .....	26, 28, 120
7660202347 . 60, 64, 68, 82, 98, 100, 120	
7660222308 .....	30, 60, 64, 68
7661000007 .....	272
7661000011.....	248
7661000034 238, 240, 242, 244, 246, 250, 252, 254, 256, 258	
7661000042 .....	78
7661000047 .....	114
7661000055 .....	12, 14, 18, 20, 22
7661000057 .....	124, 126, 128
7661000064 .....	78
7661000065 .....	82
7679000017.....	8, 10, 12, 14
7679000020 .....	78
7690021210.....	206
7690021610.....	84, 94
7690051274 .....	48, 50, 52, 54
7690101200.. 124, 126, 128, 130, 132	
7690141600 .....	206
7690144005 .....	206
7690151601 .....	84, 94
7691000001 216, 218, 220, 222, 224, 226, 228, 230, 234	
7691000040 .....	206
7691000042 .....	206
7691000046 .....	48, 50, 52, 54
7691000056 . 124, 126, 128, 130, 132	

Part Number	Page
7691000064 .....	124, 126, 128
7691000065 .....	130
7691000066 .....	132
7701000033 .....	18, 22
7701000048 .....	60, 64, 68
7701000049 .....	32, 78
7701000051.....	60, 64, 68, 104
7701000055 .....	78
7701000058 .....	30
7701000062 .....	196, 198, 200
7701000063 .....	60, 64, 68
7706000001 .....	318, 320, 322
7706000003.....	310
7706000004.....	312
7706000005 310, 314, 316, 318, 320, 322	
7719000004 .....	206
7719000005 .....	206
7724000126.....	134
7732000002 .....	206
7754000002 238, 242, 244, 250, 252, 258	
7754000003 238, 242, 244, 250, 252, 258	
7754000004 238, 242, 244, 250, 252, 258	
7754000006.....	
60, 64, 68, 188, 190, 192, 194, 206, 216, 220, 222, 226, 228, 232, 234	
7754000009.....	270, 272
7754000022..... 38, 40, 42, 206, 268	
7754000024 196, 198, 200, 202, 204, 206	
7754000026 238, 242, 244, 250, 252, 258	

Part Number	Page	Part Number	Page	Part Number	Page	Part Number	Page
7754000037	202, 204	254, 256		7894000059	284	7949000072	60, 64, 68
7754000051	240, 246, 248, 254, 256	7796000046	240, 246, 248, 254, 256	7894000073	284	7950100151	60, 64, 68, 176, 178
7754000053	240, 246, 248, 254, 256	7796000048	188, 190, 192, 194, 214, 216, 218, 220, 222, 224, 226, 228, 230, 232, 234	7904000007	134	7950140000	78
7754000054	240, 246, 248, 254, 256			7912000011	232, 234	7950140141	124, 126, 128, 130, 132, 272
7754000087	206	7796000063	238, 242, 244, 250, 252, 258	7912000184	162, 166, 206	7950140143	30, 42, 206
7755222000	240, 248			7912000233	86	7950140151	270
7755222609	240, 248	7796000067	240, 246, 248, 254, 256	7912000234	88	7950140153	206
7755224000	238, 242, 244, 246, 250, 252, 254, 256, 258	7813000048	82	7912000235	86	7950140161	280
7755224609	238, 242, 244, 246, 250, 252, 254, 256, 258	7843000004	42	7912000236	88	7950150000	128, 206
7755330000	240, 246, 248, 254, 256	7843000006	42, 202, 204	7912000237	162, 166, 206	7950150153	80
7755330008	250	7843000016	202, 204	7935000104	312	7950150161	48, 50, 52, 54, 76, 82, 84, 94, 100, 104, 112, 116, 118, 124, 126, 128, 130, 132, 134, 138, 140, 142, 144, 146, 148, 150, 152, 154, 156, 158, 206, 270, 272, 280, 342
7755330609	240, 246, 248, 254, 256	7843000027	48, 52	7935000120	56, 278		
7755334000	238, 242, 244, 252, 258	7843000035	38, 40	7935000170	324, 326, 328, 330, 332, 334, 336, 338, 340		
7755334609	238, 242, 244, 250, 252, 258	7843000043	206	7935000171	332, 334		
7759000004	132, 288	7870000045	310, 318, 320, 322	7935000173	324, 326, 328, 330, 332, 334, 336, 338, 340		
7759000006	124, 126, 128, 130	7870000052	316	7935000174	324, 326, 328, 330, 332, 334, 336, 338, 340		
7759000015	28, 32	7870000053	262	7935000182	56		
7759000020	110	7870000062	318, 320, 322	7935000173	324, 326, 328, 330, 332, 334, 336, 338, 340		
7759000022	26, 28	7870000063	262	7935000182	56		
7785140400	206	7870000076	262	7935000227	326, 328, 330, 332, 334, 336, 338, 340		
7785140404	290, 300, 302	7870000083	262	7935000229	56		
7785152420	82, 138, 140, 142, 144, 146, 148, 150, 152, 154, 156, 158	7870000100	262	7935000248	56		
7786000006	202, 204	7870000106	262	7935000305	160, 162, 164, 166, 168, 170, 172		
7786000007	14, 22, 64	7870000113	262	7935000306	134		
7790100856	114, 176, 178	7870000115	114	7935000306	134		
7790151253	86, 124, 126, 128, 130, 132, 206, 264	7870000134	262	7935000369	324, 326, 328, 330, 332, 334, 336, 338, 340		
7790161253	84	7870000137	262	7935000388	326, 328, 330, 332, 334, 336, 338, 340		
7796000008	238, 242, 244, 252, 258	7890000041	96	7949000008	60, 64, 68		
7796000024	238, 242, 244, 250, 252, 258	7894000004	56, 100, 116, 118, 134	7949000011	124, 126, 128, 130, 132		
7796000045	240, 246, 248, 250,	7894000019	284	7949000023	78		
		7894000020	284	7949000030	48, 50, 52, 54		
		7894000028	284	7949000034	38, 40, 42		
		7894000031	278	7949000054	124, 126, 128, 130, 132		
		7894000034	284				
		7894000042	30				
		7894000058	284				

Part Number	Page
7950200242 .....	60, 68, 98, 100, 120
7950220141 ...	30, 124, 126, 128, 130, 132, 270, 272
7970000056 .....	36, 290
7970000121 .....	34, 292
7970000123 .....	34, 294
7970000140 .....	34, 296
7970000142 .....	34, 298
7970000158 .....	42, 300
7970000166 .....	42, 302
8411080091 .....	206
8411080102 .....	12, 14, 18, 20, 22
8597650001 .....	43, 56
8632000002 .....	120
8632000012 .	124, 126, 128, 130, 132
9002000141 .....	286
9002000142 .....	286
9002000143 .....	286
9002000144 .....	286
9002000145 .....	286
9007960003 .....	292, 294
9082960033 .....	290
9120960021 .....	290
9120960022 .....	290
9120960023 .....	290
9120960025 .....	290, 300, 302
9120960026 .....	290
9120960034 .....	292, 294, 296, 298
9120960059 .....	292, 294, 296, 298
9120960061	290, 292, 294, 296, 298
9120960075 .....	294, 296
9120960081 .....	300, 302
9183960002 .....	296, 298, 300, 302
9209960022 .....	290
9209960023 .....	290, 300, 302
9295310026 .....	272
9295310029 .....	270

Part Number	Page
9295310030 .....	270
9295310032 .....	270
9295310033 .....	270
9295310034 .....	270
9295310036 .....	270
9295310037 .....	270
9295310038 .....	270
9295310039 .....	270
9295310042 .....	270
9295310050 .....	270
9309960009 .....	290
9309960020 .....	294, 296
9314960024 .....	292, 294, 296, 298
9330740004 .....	316
9330740009 .....	288
9330740010 .....	314
9330740011 .....	314
9346760019 .....	310, 318
9443760009 .....	318, 320
9443760018 .....	318, 320
9443960010 .....	300, 302
9443960021 .....	296
9472960042 .....	290, 300
9472960043 .....	290, 300, 302
9472960068 .....	294, 296
9472960069 .....	294, 296
9472960072 .....	292, 298
9551960018 .....	300
9552310007 .....	304
9552310025 .....	314
9552740006 .....	316
9560960011 .....	292, 294, 296, 298
9560960021 .....	292, 294
9571960010 .....	294, 296
9575960014 .....	292, 294, 296, 298
9577000226 .....	72
9577000227 .....	72

Part Number	Page
9577030278 .....	110
9577030279 .....	110
9577030280 .....	110
9577030303 .....	110
9577930187	324, 326, 328, 330, 332, 334, 336, 338, 340
9587960009 .....	290
9590310197 .....	304
9590310202 .....	304
9590310203 .....	304
9590310205 .....	304
9590310206 .....	304
9611000001 .....	286
9611000002 .....	286
9626960027 .....	300, 302
9691960001 .....	290, 292, 294, 296, 300, 302
9691960035 .....	292, 294
9701960014 .....	290
9701960015	290, 292, 294, 296, 298
9701960016 .....	290, 300, 302
9706960028 .....	290
9706960029 .....	290
9706960084 .....	290
9740740002 .....	316
9742960064 .....	302
9754960039 .....	290, 300, 302
9786960006 .....	300, 302
9786960015 .....	292, 294, 296, 298
9786960066 .....	290
9796960047 .....	290, 300, 302
9796960048 .....	290
9796960049 .....	290, 300, 302
9796960050 .....	290
9796960051 .....	290
9796960123 .....	290

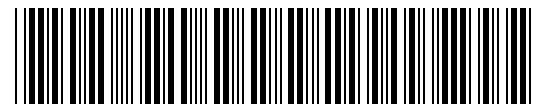
Part Number	Page
9796960139 .....	294, 296
9796960176 .....	294, 296
9796960177 .....	294, 296
9806960009 .....	292, 298
9806960017 .....	290
9806960031 .....	290
9812960005 .....	290, 300, 302
9843930044 .....	324, 326, 328, 330, 332, 334, 336, 338, 340
9843960027 .....	290
9870310035 .....	314
9890000002 .....	286
9899000014 .....	110
9899000015 .....	110
9899000016 .....	110
9899000020 .....	110
9899000021 .....	110
9899000022 .....	110
9899000023 .....	110
9899000024 .....	110
9900000001 .....	286
9900000002 .....	286
9900000003 .....	286
9900000004 .....	286
9900000005 .....	286
9900000006 .....	286
9900000007 .....	286
9900000008 .....	286
9900000009 .....	286
9900000010 .....	286
9912960035 .....	300, 302
9935740034 .....	310, 312, 318
9935960023 .....	290
9935960142 .....	300
9949960017 .....	290, 300, 302
9949960031 .....	290, 300, 302
9949960054 .....	294, 296

<b>Part Number</b>	<b>Page</b>	<b>Part Number</b>	<b>Page</b>	<b>Part Number</b>	<b>Page</b>	<b>Part Number</b>	<b>Page</b>
9970280019.....	290	9970960057.....	290				
9970300057.....	292, 294, 296, 298	9970960060.....	292, 294, 296, 298				
9970316083.....	292, 298	9970960062.....	292, 298				
9970330010.....	292, 294, 296, 298	9970960068.....	292, 294, 296, 298				
9970342027.....	292, 294, 296, 298						
9970400003.....	294, 296						
9970400007.....	290						
9970402002.....	292, 294, 296, 298						
9970412003.....	292, 294, 296, 298						
9970412045.....	292, 294, 296, 298						
9970414045.....	292, 294, 296, 298						
9970415177.....	298						
9970418163.....	290, 300, 302						
9970418177.....	292, 294, 296						
9970418184.....	290						
9970431008.....	292						
9970442184.....	292, 294, 296, 298						
9970442205.....	292, 294, 296, 298						
9970450006.....	292, 294, 296, 298						
9970456008.....	290, 292, 294, 296, 298						
9970468002.....	290						
9970468011.....	292, 294, 296, 298						
9970472013.....	292, 294, 296, 298						
9970486009.....	292, 294, 296, 298						
9970486017.....	292, 294, 296, 298						
9970494002.....	292, 294, 296, 298						
9970494010.....	290						
9970494053.....	292, 294, 296, 298						
9970518014.....	292, 294, 296, 298						
9970518015.....	292, 294, 296, 298						
9970960034.....	294, 296						
9970960035.....	294, 296						
9970960036.....	294, 296						
9970960037.....	294, 296						
9970960038.....	294, 296						
9970960051.....	294, 296						
9970960052.....	294, 296						



**THIS PAGE INTENTIONALLY LEFT BLANK**





537600089-8