

MODEL 6038C UTILITY CART

ASSEMBLY INSTRUCTIONS

Parts included in this cart are listed in the Parts List. Item numbers appear on the parts list, exploded view, and in the instruction for easy reference.

PARTS LIST

Item	Description	Qty	Item	Description	Qty
1	Bottom tray	1	9	Handle.....	1
2	Middle tray	1	10	Machine screws #10x1	4
3	Rear leg	2	11	Hex nuts #10.....	4
4	Hex bolts ¼ x 2"	20	12	Rubber wheels	2
5	Flat washer ¼	20	13	Axle	1
6	Hex nut ¼	20	14	Axle nuts	2
7	Front leg.....	2	15	Rubber foot inserts.....	2
8	Top plate, adjustable	1	16	Spade bolt 5/16x1 ½ (not shown)	2

ASSEMBLING THE CART:

1. Attach the Bottom tray (#1) and Middle tray (#2) to the first Rear leg (#3) with four Hex bolts (#4), Flat washers (#5) and Hex nuts (#6).
2. Attach the first Front leg (#7) to the Bottom (#1) and Middle (#2) trays with four Hex bolts (#4), Flat washers (#5) and Hex nuts (#6).
3. Turn the cart assembly over and repeat steps 1 and 2 for the second pair of Rear (#3) and Front (#7) legs.
Note: Make sure that the Rear legs are parallel (square) with the rear panel of the trays before fully tightening the hex nuts. The A "carpenters or machinist square" should be used to check square (this can be done by eye if a tool is unavailable).

(See Figure 1)

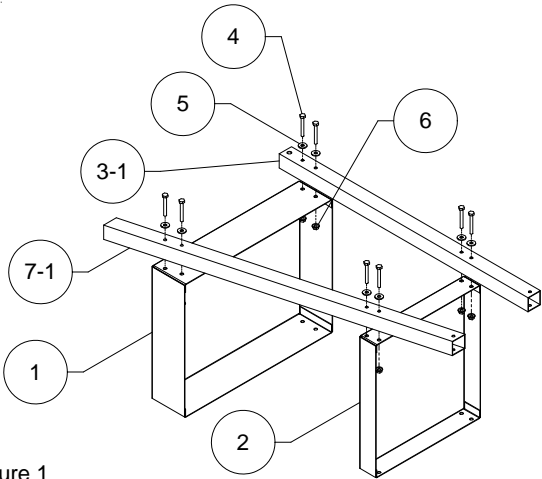


Figure 1

4. Attach the Handle (#9) to the Top plate (#8) with four #10 Machine screws (#11) and Hex nuts (#12).

(See Figure 2)

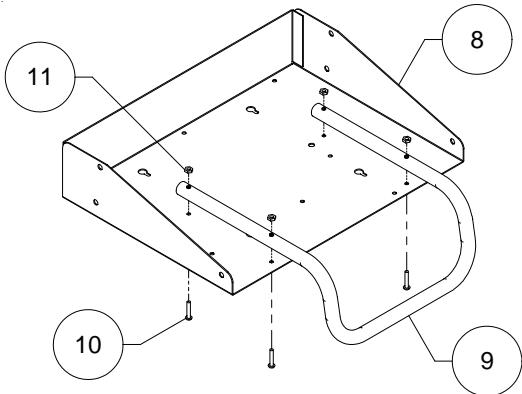
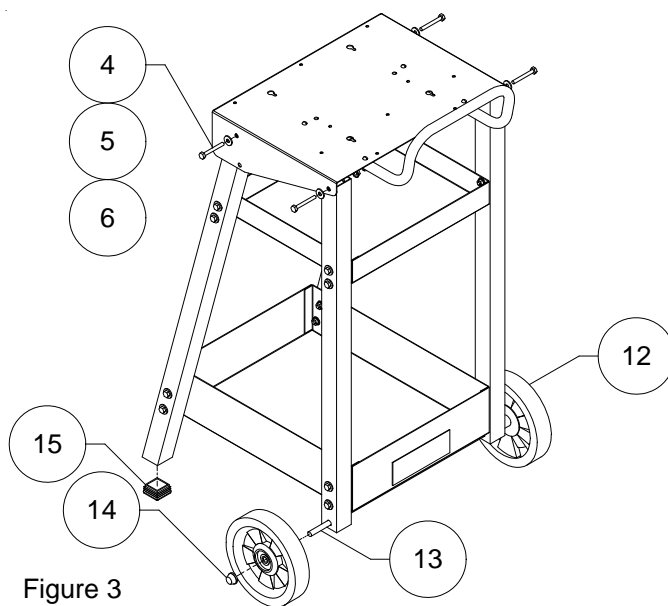


Figure 2

5. Set the assembled top plate and handle on top of the legs. Align the top plate back holes with the top set of holes in the back legs and attach with two ¼" Hex bolts, Washers and Hex nuts. Fasten the front of the Top plate to the front legs. The top plate is adjustable; for a 15° viewing angle use the lower pair of holes otherwise use the upper pair of holes for a flat surface. All nuts and bolts should now be tightened until snug. **DO NOT OVER TIGHTEN** the fasteners as over tightening can deform the legs.
 6. Tap one Axle nut (#14) onto one end of the Axle (#13) with a rubber mallet. Slide one wheel (#12) onto the axle. Insert the axle through the holes at the bottom of the back legs. Slide the second wheel onto the axle and tap the second axle nut onto the axle.
 7. Press the Rubber feet (#15) into the bottom of each front leg.
- (See Figure 3)
8. The Spade bolts (#16) not shown are used to mount various Associated Equipment products. **DO NOT DISCARD.**



ASSOCIATED EQUIPMENT CORPORATION
5043 Farlin Avenue Saint Louis, Missouri 63115
Tel. (314) 385-5178 Fax. (314) 385-3254
www.associatedequip.com