

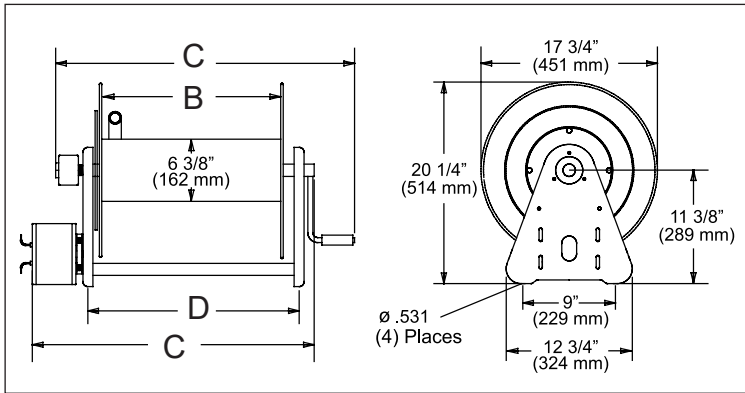
# Operating Instructions

## Series 30000 Air Motor Driven Reels

AA30106 L4A	AA30118 M6A	AA32106 M4A	AA32122 M6A	AA33118 L4A
AA30106 L6A	AA30122 L4A	AA32106 M6A	AA32128 L6A	AA33118 L6A
AA30106 M4A	AA30122 L6A	AA32112 L4A	AA32128 M6A	AA33118 M4A
AA30106 M6A	AA30122 M4A	AA32112 L6A	AA33106 L4A	AA33118 M6A
AA30112 L4A	AA30122 M6A	AA32112 M4A	AA33106 L6A	AA33122 L4A
AA30112 L6A	AA30128 L4A	AA32112 M6A	AA33106 M4A	AA33122 L6A
AA30112 M4A	AA30128 L6A	AA32118 L4A	AA33106 M6A	AA33122 M4A
AA30112 M6A	AA30128 M4A	AA32118 L6A	AA33112 L4A	AA33128 L6A
AA30118 L4A	AA30128 M6A	AA32118 M4A	AA33112 L6A	AA33128 M6A
AA30118 L6A	AA32106 L4A	AA32118 M6A	AA33112 M4A	
AA30118 M4A	AA32106 L6A	AA32122 L6A	AA33112 M6A	



### Dimensional Data



Part #	B	C	D
30106 / 32106 / 33106	6"	17 1/4"	9 3/4"
30112 / 32112 / 33112	12"	23 1/4"	15 3/4"
30118 / 32118 / 33118	18"	29 5/8"	21 3/4"
30122 / 32122 / 33122	22"	33 1/4"	25 3/4"
30128 / 32128 / 33128	27"	38 1/4"	30 3/4"

### Safety Precautions

Personal injury and/or equipment damage may result if proper safety precautions are not observed.

- Ensure that the reel has been properly installed before connecting supply line (see installation instructions).
- Bleed fluid/gas pressure from system before servicing reel.
- Before connecting reel to supply line ensure that supply line pressure does not exceed maximum rated working pressure of reel.
- Do not play pranks on other personnel. Even low pressure is very dangerous and can cause irreparable damage or death.
- Do not wear loose fitting clothing while operating reel.
- Be aware of other personnel in work area.
- Be aware of other machinery in work area.
- If a leak occurs in the hose or reel, remove supply line pressure immediately.
- If the reel is power driven check for loose, frayed, and/or broken wires before operating.
- Treat and respect a hose reel as any other piece of machinery, observing all common safety practices.

Form# 534-89C Rev. 2/2020

## INSTALLATION INSTRUCTIONS

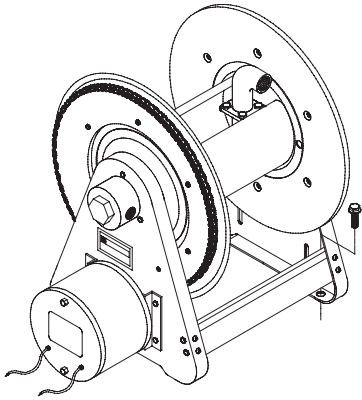
### Inspection

Unpack and inspect the reel for damage. Turn the reel by hand to check for smooth operation. Check for completeness.

### Mounting of all hose reels

**NOTE:** Ensure that mounting surface is flat to prevent binding on reel after it is mounted.

1. Two 1/2" diameter mounting holes are located at the base of each side support panel (2 each). Mount reel using four (customer supplied) bolts; tightening them securely to ensure a solid, rigid attachment.



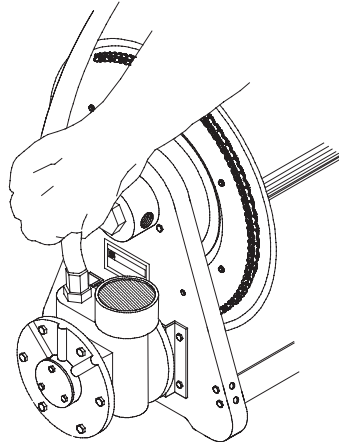
2. Perform the following steps only after all other installation steps, pertaining to your particular reel, are accomplished. Refer to page 4 for special instructions.

**NOTE:** A flexible hose connection must be used to compensate for any offset between the supply line and the reel swivel.

3. Apply thread compound to all threads.
4. Thread male connector of supply line into swivel. Tighten securely.

**WARNING:** Do not exceed 100 PSI motor inlet pressure. Use an FRL or control valve in line to adjust speed of motor.

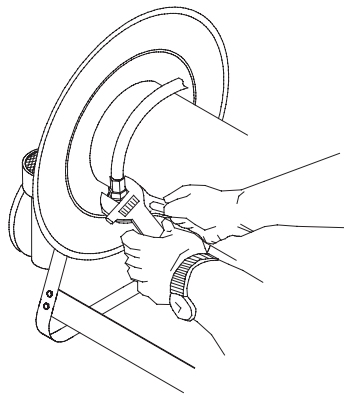
5. Connect air line to motor in accordance with diagram.



### Connecting the hose

**CAUTION:** Do not connect the hose to the connecting tube assembly until after hose reel has been installed. Fully extend and charge hose before winding on to reel. Momentarily open control valve, when initially charging, to purge hose of gases. When fluid appears at control valve, close valve. This prevents flattening of the hose and excessive pressure on the drum when fluid supply is reinitialized at a later time.

1. Apply thread compound to all threads.
2. Hand thread male hose connector into connecting tube assembly.
3. Using a wrench, firmly hold onto connecting tube assembly while tightening hose connector.



## OPERATING INSTRUCTIONS

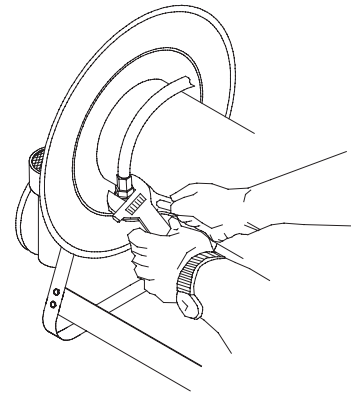
### WARNING-PREVENT STATIC

**SPARKING:** When working around flammable liquids such as solvents, paints, chemicals or petroleum products, ensure that the hose reel, hose and the equipment being serviced are properly grounded. Use grounded hose(s) (static wire). Use an ohmmeter to check continuity of the ground circuit. Fire and/or explosion can result if proper grounding is not achieved. If reel is power or air driven, be careful of chain/sprocket drive system. Keep hands clear. Do not wear loose fitting clothing. Pull hose from the reel by grasping the hose itself, not the control handle or swivel.

## SERVICE INSTRUCTIONS

### Replacing the hose

1. Using a wrench, firmly hold onto the connecting tube assembly while removing hose connector.
2. Follow procedures for "Connecting the hose" (refer to installation instructions).



### Replacing the swivel

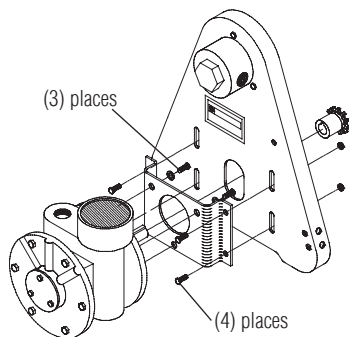
**CAUTION:** Remove supply line pressure before performing the following procedure.

1. Remove supply line from swivel.
2. Remove swivel assembly from inlet shaft.
3. Install swivel assembly to inlet shaft by reversing steps 1 and 2. Apply thread compound to all threads.

### Replacing the motor

**CAUTION:** Before replacing the motor, remove all air pressure from motor.

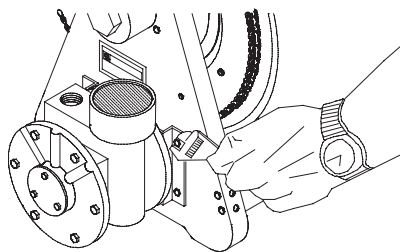
1. Disconnect air lines from motor.
2. Remove bolts securing motor mounting bracket to reel. Remove bracket (refer to diagram on page 3).



### Replacing the chain

**CAUTION:** Before replacing the chain, remove all air pressure from motor.

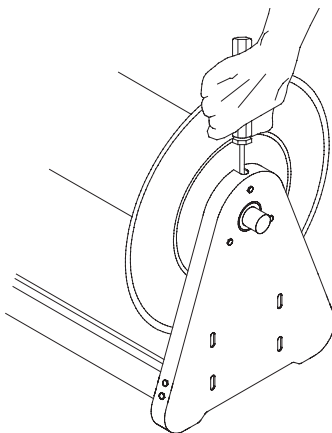
1. Loosen (do not remove) bolts securing motor mounting bracket in place.
2. Remove chain master-link.
3. Remove chain master-link. Install new chain by reversing steps 1 and 2 above.



### ADJUSTMENT PROCEDURES

#### Adjusting the reel

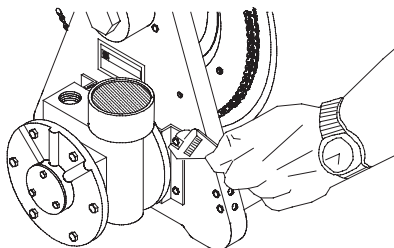
1. Adjust reel drag by loosening or tightening set screw on hub casting on manual driven reel.

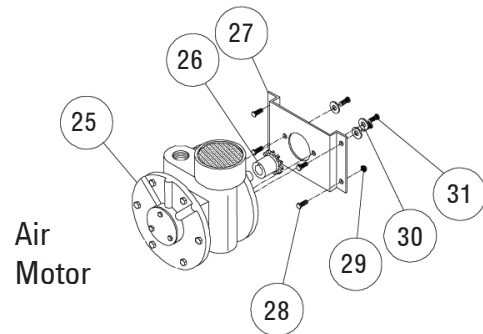
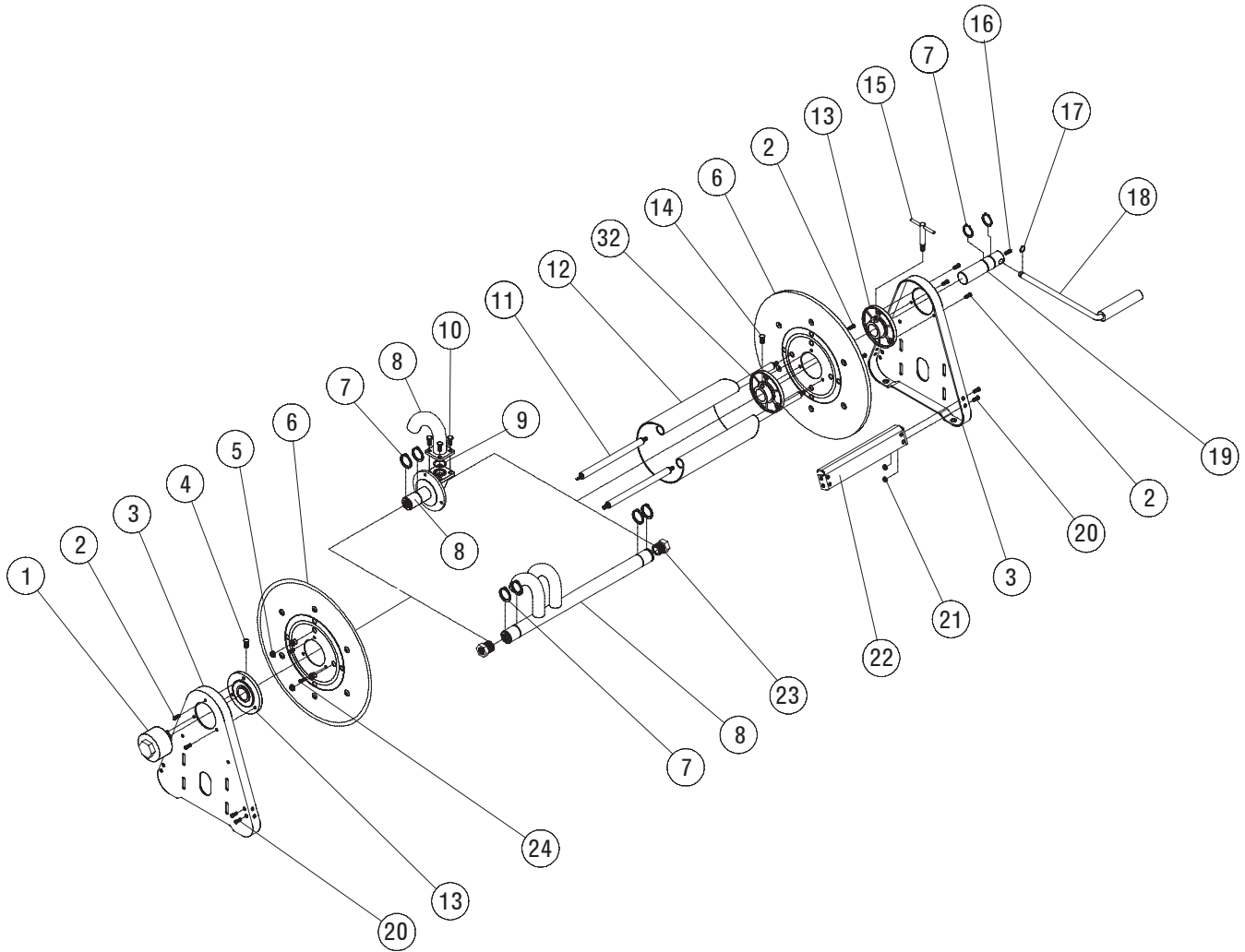


#### Adjusting the chain tension

**CAUTION:** Before adjusting the chain tension, remove all air pressure from motor. Over-tensioned (tightening) of chain results in reduced motor life. Adjust to allow between 1/4 and 1/2 inch play in chain.

1. Loosen bolts (do not remove) securing motor mounting bracket to reel.
2. Move motor mounting bracket and motor until proper chain tension is obtained.
3. Tighten motor mounting bracket bolts.





Air Motor

Series 30000 Air Motor Driven Reels

ITEM	DESCRIPTION	QTY.	AA30106 L4A	AA30106 L6A	AA30106 M4A	AA30106 M6A	AA30112 L4A	AA30112 L6A	AA30112 M4A	AA30112 M6A
1	Swivel assembly	1	NONE	NONE	NONE	NONE	NONE	NONE	NONE	NONE
2	Screw, 5/16-12 x 5/8"	6	S317-31	S317-31	S317-31	S317-31	S317-31	S317-31	S317-31	S317-31
3	Side frame	2	260403	260403	260403	260403	260403	260403	260403	260403
5	Nut, 5/16-18	8	S85-7	S85-7	S85-7	S85-7	S85-7	S85-7	S85-7	S85-7
6	Spool flange	2	S260399-3	S260399-3	S260399-3	S260399-3	S260399-3	S260399-3	S260399-3	S260399-3
7	Snap ring	4	300007	300007	300007	300007	300007	300007	300007	300007
8	Inlet assembly	1	600327-2	600327-2	600327-2	600327-2	600327-2	600327-2	600327-2	600327-2
9	O-ring	1	S211-120	S211-120	S211-120	S211-120	S211-120	S211-120	S211-120	S211-120
10	Screw, 5/16-18 x 3/4"	4	S7-51	S7-51	S7-51	S7-51	S7-51	S7-51	S7-51	S7-51
11	Tie rod	4	260402-100	260402-200	260402-200	260402-200	260402-200	260402-200	260402-200	260402-200
12	Spacer	4	260401-1	260401-2	260401-2	260401-2	260401-2	260401-2	260401-2	260401-2
13	Hub & bushing assembly	2	S600640	S600640	S600640	S600640	S600640	S600640	S600640	S600640
15	Lock handle assembly	1	S280109	S280109	S280109	S280109	S280109	S280109	S280109	S280109
20	Screw, 5/16-18 x 5/8"	8	S2-52	S2-52	S2-52	S2-52	S2-52	S2-52	S2-52	S2-52
21	Nut, 5/16-18	8	300107	300107	300107	300107	300107	300107	300107	300107
22	Cross brace	2	263121-1	263121-2	263121-2	263121-2	263121-2	263121-2	263121-2	263121-2
24	Screw, 1/4-20 x 5/8"	6	S2-42	S2-42	S2-42	S2-42	S2-42	S2-42	S2-42	S2-42
25	Drive motor	1	260428	260429	260428	260429	260428	260429	260428	260429
26	Gear, motor	1	260436	260408	260436	260408	260436	260408	260436	260408
27	Bracket, motor	1	260405	260433	260405	260433	260405	260433	260405	260433
28	Screw 5/16-18 x 5/8"	4	S2-52	S2-52	S2-52	S2-52	S2-52	S2-52	S2-52	S2-52
29	Lock nut 5/16-18	12	S85-7	S85-7	S85-7	S85-7	S85-7	S85-7	S85-7	S85-7
30	Washer	7	300039	300039	300039	300039	300039	300039	300039	300039
31	Screw 5/16-18 x 5/8"	3	S317-31	S317-31	S317-31	S317-31	S317-31	S317-31	S317-31	S317-31
32	Collar	1	602688	602688	602688	602688	602688	602688	602688	602688

ITEM	DESCRIPTION	QTY.	AA30118 L4A	AA30118 L6A	AA30118 M4A	AA30118 M6A	AA30122 L4A	AA30122 L6A	AA30122 M4A	AA30122 M6A
1	Swivel assembly	1	NONE	NONE	NONE	NONE	NONE	NONE	NONE	NONE
2	Screw, 5/16-12 x 5/8"	6	S317-31	S317-31	S317-31	S317-31	S317-31	S317-31	S317-31	S317-31
3	Side frame	2	260403	260403	260403	260403	260403	260403	260403	260403
5	Nut, 5/16-18	8	S85-7	S85-7	S85-7	S85-7	S85-7	S85-7	S85-7	S85-7
6	Spool flange	2	S260399-3	S260399-3	S260399-3	S260399-3	S260399-3	S260399-3	S260399-3	S260399-3
7	Snap ring	4	300007	300007	300007	300007	300007	300007	300007	300007
8	Inlet assembly	1	600327-2	600327-2	600327-2	600327-2	600327-2	600327-2	600327-2	600327-2
9	O-ring	1	S211-120	S211-120	S211-120	S211-120	S211-120	S211-120	S211-120	S211-120
10	Screw, 5/16-18 x 3/4"	4	S7-51	S7-51	S7-51	S7-51	S7-51	S7-51	S7-51	S7-51
11	Tie rod	4	260402-300	260402-300	260402-300	260402-300	260402-400	260402-400	260402-400	260402-400
12	Spacer	4	S260401-3	S260401-3	S260401-3	S260401-3	S260401-4	S260401-4	S260401-4	S260401-4
13	Hub & bushing assembly	2	S600640	S600640	S600640	S600640	S600640	S600640	S600640	S600640
15	Lock handle assembly	1	S280109	S280109	S280109	S280109	S280109	S280109	S280109	S280109
20	Screw, 5/16-18 x 5/8"	8	S2-52	S2-52	S2-52	S2-52	S2-52	S2-52	S2-52	S2-52
21	Nut, 5/16-18	8	300107	300107	300107	300107	300107	300107	300107	300107
22	Cross brace	2	263121-3	263121-3	263121-3	263121-3	263121-4	263121-4	263121-4	263121-4
24	Screw, 1/4-20 x 5/8"	6	S2-42	S2-42	S2-42	S2-42	S2-42	S2-42	S2-42	S2-42
25	Drive motor	1	260428	260429	260428	260429	260428	260429	260428	260429
26	Gear, motor	1	260436	260408	260436	260408	260436	260408	260436	260408
27	Bracket, motor	1	260405	260433	260405	260433	260405	260433	260405	260433
28	Screw 5/16-18 x 5/8"	4	S2-52	S2-52	S2-52	S2-52	S2-52	S2-52	S2-52	S2-52
29	Lock nut 5/16-18	12	S85-7	S85-7	S85-7	S85-7	S85-7	S85-7	S85-7	S85-7
30	Washer	7	300039	300039	300039	300039	300039	300039	300039	300039
31	Screw 5/16-18 x 5/8"	3	S317-31	S317-31	S317-31	S317-31	S317-31	S317-31	S317-31	S317-31
32	Collar	1	602688	602688	602688	602688	602688	602688	602688	602688

## Series 30000 Air Motor Driven Reels

ITEM	DESCRIPTION	QTY.	AA30128 L4A	AA30128 L6A	AA30128 M4A	AA30128 M6A	AA32106 L4A	AA32106 L6A	AA32106 M4A	AA32106 M6A
1	Swivel assembly	1	NONE	NONE	NONE	NONE	S600888-1	S600888-1	S602033	S602033
2	Screw, 5/16-12 x 5/8"	6	S317-31	S317-31	S317-31	S317-31	S317-31	S317-31	S317-31	S317-31
3	Side frame	2	260403	260403	260403	260403	260403	260403	260403	260403
5	Nut, 5/16-18	8	S85-7	S85-7	S85-7	S85-7	S85-7	S85-7	S85-7	S85-7
6	Spool flange	2	S260399-3	S260399-3	S260399-3	S260399-3	S260399-3	S260399-3	S260399-3	S260399-3
7	Snap ring	4	300007	300007	300007	300007	300007	300007	300007	300007
8	Inlet assembly	1	600327-2	600327-2	600327-2	600327-2	600327-2	600327-2	600327-2	600327-2
9	O-ring	1	S211-120	S211-120	S211-120	S211-120	S211-120	S211-120	S211-120	S211-120
10	Screw, 5/16-18 x 3/4"	4	S7-51	S7-51	S7-51	S7-51	S7-51	S7-51	S7-51	S7-51
11	Tie rod	4	260402-500	260402-500	260402-500	260402-500	260402-100	260402-100	260402-100	260402-100
12	Spacer	4	S260401-5	S260401-5	S260401-5	S260401-5	260401-1	260401-1	260401-1	260401-1
13	Hub & bushing assembly	2	S600640	S600640	S600640	S600640	S600640	S600640	S600640	S600640
15	Lock handle assembly	1	S280109	S280109	S280109	S280109	S280109	S280109	S280109	S280109
20	Screw, 5/16-18 x 5/8"	8	S2-52	S2-52	S2-52	S2-52	S2-52	S2-52	S2-52	S2-52
21	Nut, 5/16-18	8	300107	300107	300107	300107	300107	300107	300107	300107
22	Cross brace	2	263121-5	263121-5	263121-5	263121-5	263121-1	263121-1	263121-1	263121-1
24	Screw, 1/4-20 x 5/8"	6	S2-42	S2-42	S2-42	S2-42	S2-42	S2-42	S2-42	S2-42
25	Drive motor	1	260428	260429	260428	260429	260428	260429	260428	260429
26	Gear, motor	1	260436	260408	260436	260408	260436	260408	260436	260408
27	Bracket, motor	1	260405	260433	260405	260433	260405	260433	260405	260433
28	Screw 5/16-18 x 5/8"	4	S2-52	S2-52	S2-52	S2-52	S2-52	S2-52	S2-52	S2-52
29	Lock nut 5/16-18	12	S85-7	S85-7	S85-7	S85-7	S85-7	S85-7	S85-7	S85-7
30	Washer	7	300039	300039	300039	300039	300039	300039	300039	300039
31	Screw 5/16-18 x 5/8"	3	S317-31	S317-31	S317-31	S317-31	S317-31	S317-31	S317-31	S317-31
32	Collar	1	602688	602688	602688	602688	602688	602688	602688	602688

ITEM	DESCRIPTION	QTY.	AA32112 L4A	AA32112 L6A	AA32112 M4A	AA32112 M6A	AA32118 L4A	AA32118 L6A	AA32118 M4A	AA32118 M6A
1	Swivel assembly	1	S600888-1	S600888-1	S602033	S602033	S600888-1	S600888-1	S602033	S602033
2	Screw, 5/16-12 x 5/8"	6	S317-31	S317-31	S317-31	S317-31	S317-31	S317-31	S317-31	S317-31
3	Side frame	2	260403	260403	260403	260403	260403	260403	260403	260403
5	Nut, 5/16-18	8	S85-7	S85-7	S85-7	S85-7	S85-7	S85-7	S85-7	S85-7
6	Spool flange	2	S260399-3	S260399-3	S260399-3	S260399-3	S260399-3	S260399-3	S260399-3	S260399-3
7	Snap ring	4	300007	300007	300007	300007	300007	300007	300007	300007
8	Inlet assembly	1	600327-2	600327-2	600327-2	600327-2	600327-2	600327-2	600327-2	600327-2
9	O-ring	1	S211-120	S211-120	S211-120	S211-120	S211-120	S211-120	S211-120	S211-120
10	Screw, 5/16-18 x 3/4"	4	S7-51	S7-51	S7-51	S7-51	S7-51	S7-51	S7-51	S7-51
11	Tie rod	4	260402-200	260402-200	260402-200	260402-200	260402-300	260402-300	260402-300	260402-300
12	Spacer	4	260401-2	260401-2	260401-2	260401-2	260401-3	260401-3	260401-3	260401-3
13	Hub & bushing assembly	2	S600640	S600640	S600640	S600640	S600640	S600640	S600640	S600640
15	Lock handle assembly	1	S280109	S280109	S280109	S280109	S280109	S280109	S280109	S280109
20	Screw, 5/16-18 x 5/8"	8	S2-52	S2-52	S2-52	S2-52	S2-52	S2-52	S2-52	S2-52
21	Nut, 5/16-18	8	300107	300107	300107	300107	300107	300107	300107	300107
22	Cross brace	2	263121-2	263121-2	263121-2	263121-2	263121-3	263121-3	263121-3	263121-3
24	Screw, 1/4-20 x 5/8"	6	S2-42	S2-42	S2-42	S2-42	S2-42	S2-42	S2-42	S2-42
25	Drive motor	1	260428	260429	260428	260429	260428	260429	260428	260429
26	Gear, motor	1	260436	260408	260436	260408	260436	260408	260436	260408
27	Bracket, motor	1	260405	260433	260405	260433	260405	260433	260405	260433
28	Screw 5/16-18 x 5/8"	4	S2-52	S2-52	S2-52	S2-52	S2-52	S2-52	S2-52	S2-52
29	Lock nut 5/16-18	12	S85-7	S85-7	S85-7	S85-7	S85-7	S85-7	S85-7	S85-7
30	Washer	7	300039	300039	300039	300039	300039	300039	300039	300039
31	Screw 5/16-18 x 5/8"	3	S317-31	S317-31	S317-31	S317-31	S317-31	S317-31	S317-31	S317-31
32	Collar	1	602688	602688	602688	602688	602688	602688	602688	602688

Series 30000 Air Motor Driven Reels

ITEM	DESCRIPTION	QTY.	AA32122 L6A	AA32122 M6A	AA32128 L6A	AA32128 M6A	AA33106 L4A	AA33106 L6A	AA33106 M4A	AA33106 M6A
1	Swivel assembly	1	S600888-1	S602033	S600888-1	S602033	S602026	S602026	S602026	S602026
2	Screw, 5/16-12 x 5/8"	6	S317-31	S317-31	S317-31	S317-31	S317-31	S317-31	S317-31	S317-31
3	Side frame	2	260403	260403	260403	260403	260403	260403	260403	260403
5	Nut, 5/16-18	8	S85-7	S85-7	S85-7	S85-7	S85-7	S85-7	S85-7	S85-7
6	Spool flange	2	S260399-3	S260399-3	S260399-3	S260399-3	S260399-3	S260399-3	S260399-3	S260399-3
7	Snap ring	4	300007	300007	300007	300007	300007	300007	300007	300007
8	Inlet assembly	1	600327-2	600327-2	600327-2	600327-2	600327-2	600327-2	600327-2	600327-2
9	O-ring	1	S211-120	S211-120	S211-120	S211-120	S211-120	S211-120	S211-120	S211-120
10	Screw, 5/16-18 x 3/4"	4	S7-51	S7-51	S7-51	S7-51	S7-51	S7-51	S7-51	S7-51
11	Tie rod	4	260402-400	260402-400	260402-500	260402-500	260402-100	260402-100	260402-100	260402-100
12	Spacer	4	260401-4	260401-4	260401-5	260401-5	260401-1	260401-1	260401-1	260401-1
13	Hub & bushing assembly	2	S600640	S600640	S600640	S600640	S600640	S600640	S600640	S600640
15	Lock handle assembly	1	S280109	S280109	S280109	S280109	S280109	S280109	S280109	S280109
20	Screw, 5/16-18 x 5/8"	8	S2-52	S2-52	S2-52	S2-52	S2-52	S2-52	S2-52	S2-52
21	Nut, 5/16-18	8	300107	300107	300107	300107	300107	300107	300107	300107
22	Cross brace	2	263121-4	263121-4	263121-5	263121-5	263121-1	263121-1	263121-1	263121-1
24	Screw, 1/4-20 x 5/8"	6	S2-42	S2-42	S2-42	S2-42	S2-42	S2-42	S2-42	S2-42
25	Drive motor	1	260429	260429	260429	260429	260428	260429	260428	260429
26	Gear, motor	1	260408	260408	260408	260408	260436	260408	260436	260408
27	Bracket, motor	1	260433	260433	260433	260433	260405	260433	260405	260433
28	Screw 5/16-18 x 5/8"	4	S2-52	S2-52	S2-52	S2-52	S2-52	S2-52	S2-52	S2-52
29	Lock nut 5/16-18	12	S85-7	S85-7	S85-7	S85-7	S85-7	S85-7	S85-7	S85-7
30	Washer	7	300039	300039	300039	300039	300039	300039	300039	300039
31	Screw 5/16-18 x 5/8"	3	S317-31	S317-31	S317-31	S317-31	S317-31	S317-31	S317-31	S317-31
32	Collar	1	602688	602688	602688	602688	602688	602688	602688	602688

ITEM	DESCRIPTION	QTY.	AA33112 L4A	AA33112 L6A	AA33112 M4A	AA33112 M6A	AA33118 L4A	AA33118 L6A	AA33118 M4A	AA33118 M6A
1	Swivel assembly	1	S602026	S602026	S602026	S602026	S602026	S602026	S602026	S602026
2	Screw, 5/16-12 x 5/8"	6	S317-31	S317-31	S317-31	S317-31	S317-31	S317-31	S317-31	S317-31
3	Side frame	2	260403	260403	260403	260403	260403	260403	260403	260403
5	Nut, 5/16-18	8	S85-7	S85-7	S85-7	S85-7	S85-7	S85-7	S85-7	S85-7
6	Spool flange	2	S260399-3	S260399-3	S260399-3	S260399-3	S260399-3	S260399-3	S260399-3	S260399-3
7	Snap ring	4	300007	300007	300007	300007	300007	300007	300007	300007
8	Inlet assembly	1	600327-2	600327-2	600327-2	600327-2	600327-2	600327-2	600327-2	600327-2
9	O-ring	1	S211-120	S211-120	S211-120	S211-120	S211-120	S211-120	S211-120	S211-120
10	Screw, 5/16-18 x 3/4"	4	S7-51	S7-51	S7-51	S7-51	S7-51	S7-51	S7-51	S7-51
11	Tie rod	4	260402-200	260402-200	260402-200	260402-200	260402-300	260402-200	260402-300	260402-200
12	Spacer	4	260401-2	260401-2	260401-2	260401-2	S260401-3	260401-2	S260401-3	260401-2
13	Hub & bushing assembly	2	S600640	S600640	S600640	S600640	S600640	S600640	S600640	S600640
15	Lock handle assembly	1	S280109	S280109	S280109	S280109	S280109	S280109	S280109	S280109
20	Screw, 5/16-18 x 5/8"	8	S2-52	S2-52	S2-52	S2-52	S2-52	S2-52	S2-52	S2-52
21	Nut, 5/16-18	8	300107	300107	300107	300107	300107	300107	300107	300107
22	Cross brace	2	263121-2	263121-2	263121-2	263121-2	263121-3	263121-2	263121-3	263121-2
24	Screw, 1/4-20 x 5/8"	6	S2-42	S2-42	S2-42	S2-42	S2-42	S2-42	S2-42	S2-42
25	Drive motor	1	260428	260429	260428	260429	260428	260429	260428	260429
26	Gear, motor	1	260436	S260408	260436	S260408	260436	S260408	260436	S260408
27	Bracket, motor	1	260405	260433	260405	260433	260405	260433	260405	260433
28	Screw 5/16-18 x 5/8"	4	S2-52	S2-52	S2-52	S2-52	S2-52	S2-52	S2-52	S2-52
29	Lock nut 5/16-18	12	S85-7	S85-7	S85-7	S85-7	S85-7	S85-7	S85-7	S85-7
30	Washer	7	300039	300039	300039	300039	300039	300039	300039	300039
31	Screw 5/16-18 x 5/8"	3	S317-31	S346-55	S317-31	S346-55	S317-31	S346-55	S317-31	S346-55
32	Collar	1	602688	602688	602688	602688	602688	602688	602688	602688

Series 30000 Air Motor Driven Reels

ITEM	DESCRIPTION	QTY.	AA33122 L4A	AA33122 L6A	AA33122 M4A	AA33128 L6A	AA33128 M6A
1	Swivel assembly	1	S602026	S602026	S602026	S602026	S602026
2	Screw, 5/16-12 x 5/8"	6	S317-31	S317-31	S317-31	S317-31	S317-31
3	Side frame	2	260403	260403	260403	260403	260403
5	Nut, 5/16-18	8	S85-7	S85-7	S85-7	S85-7	S85-7
6	Spool flange	2	S260399-3	S260399-3	S260399-3	S260399-3	S260399-3
7	Snap ring	4	300007	300007	300007	300007	300007
8	Inlet assembly	1	600327-2	600327-2	600327-2	600327-2	600327-2
9	O-ring	1	S211-120	S211-120	S211-120	S211-120	S211-120
10	Screw, 5/16-18 x 3/4"	4	S7-51	S7-51	S7-51	S7-51	S7-51
11	Tie rod	4	260402-400	260402-400	260402-400	260402-500	260402-500
12	Spacer	4	260401-4	260401-4	260401-4	260401-5	260401-5
13	Hub & bushing assembly	2	S600640	S600640	S600640	S600640	S600640
15	Lock handle assembly	1	S280109	S280109	S280109	S280109	S280109
20	Screw, 5/16-18 x 5/8"	8	S2-52	S2-52	S2-52	S2-52	S2-52
21	Nut, 5/16-18	8	300107	300107	300107	300107	300107
22	Cross brace	2	263121-4	263121-4	263121-4	263121-5	263121-5
24	Screw, 1/4-20 x 5/8"	6	S2-42	S2-42	S2-42	S2-42	S2-42
25	Drive motor	1	260428	260429	260428	260429	260429
26	Gear, motor	1	260436	260408	260436	260408	260408
27	Bracket, motor	1	260405	260433	260405	260433	260433
28	Screw 5/16-18 x 5/8"	4	S2-52	S2-52	S2-52	S2-52	S2-52
29	Lock nut 5/16-18	12	S85-7	S85-7	S85-7	S85-7	S85-7
30	Washer	7	300039	300039	300039	300039	300039
31	Screw 5/16-18 x 5/8"	3	S317-31	S317-31	S317-31	S317-31	S317-31
32	Collar	1	602688	602688	602688	602688	602688