

# BACKUP ALARMS

## SYBUA SERIES

### Specifications:

- Voltage: 12-48VDC
- Decibels: 97 or 107dB
- Size: 4"W x 1.62"D x 2.73"H
- Average Amp Draw: 0.1 -0.8A
- Housing: Black ABS
- Polarity Protected: Yes
- Spike Protected (V): +100/-400
- Mounting: Universal
- Warranty: 1 Year

### Features:

- Epoxy encapsulated housing
- -30°C to 77°C extreme temperature reliability
- Fully weatherproof / pressure washable

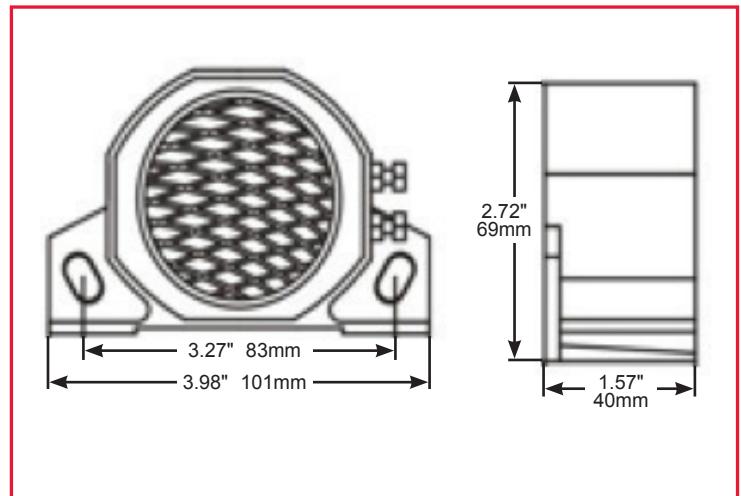
### Certifications:

- IP 65



### SYBUA Series

PART #	VOLTAGE	DECIBELS
SYBUA971248SG	12-48VDC	97dB with ground clip
SYBUA971248S	12-48VDC	97dB with studs
SYBUA971248W	12-48VDC	97dB with wire leads
SYBUA1071248S	12-48VDC	107dB with studs
SYBUA1071248W	12-48VDC	107dB with wire leads



US: 16355 South Lone Elm Road • Olathe, KS 66062 • USA  
Canada: 75 Skyway Drive • Mississauga, ON L5W 0H2 • Canada

P: 913-780-1440 • TOLL FREE 800-447-3693  
E: [info@superiorsignals.com](mailto:info@superiorsignals.com) • [www.superiorsignals.com](http://www.superiorsignals.com)