

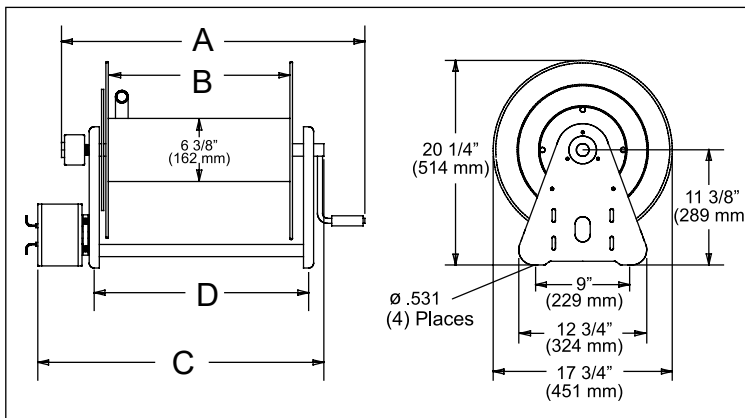
Operating Instructions

Series H37000 Hose Reels

BH37118 L CH37118 L EH37118 L12D
 BH37122 L CH37122 L EH37122 L12D
 BH37128 L CH37128 L EH37128 L12D



Dimensional Data



Part #	A	B	C	D
BH/CH37118 L	31 3/4"	18"	-----	21 3/4"
EH37118 L12D	-----	18"	31"	21 3/4"
BH/CH37122 L	35 3/4"	22"	-----	25 3/4"
EH37122 L12D	-----	22"	35"	25 3/4"
BH/CH37128 L	40 3/4"	27"	-----	30 3/4"
EH37128 L12D	-----	27"	40"	30 3/4"

Safety Precautions

Personal injury and/or equipment damage may result if proper safety precautions are not observed.

- Ensure that the reel has been properly installed before connecting supply line (see installation instructions).
- Bleed fluid/gas pressure from system before servicing reel.
- Before connecting reel to supply line ensure that supply line pressure does not exceed maximum rated working pressure of reel.
- Do not play pranks on other personnel. Even low pressure is very dangerous and can cause irreparable damage or death.
- Do not wear loose fitting clothing while operating reel.
- Be aware of other personnel in work area.
- Be aware of other machinery in work area.
- If a leak occurs in the hose or reel, remove supply line pressure immediately.
- If the reel is power driven check for loose, frayed, and/or broken wires before operating.
- Treat and respect a hose reel as any other piece of machinery, observing all common safety practices.

Form# 1256-1030 Rev: 5/2018

INSTALLATION INSTRUCTIONS

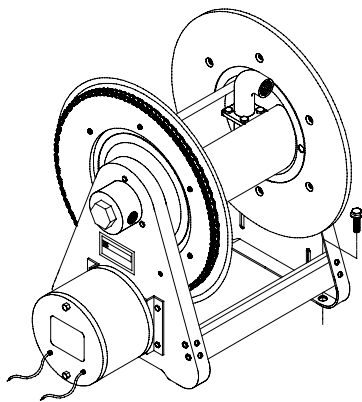
Inspection

Unpack and inspect the reel for damage. Turn the reel by hand to check for smooth operation. Check for completeness.

Mounting of all hose reels

NOTE: Ensure that mounting surface is flat to prevent binding on reel after it is mounted.

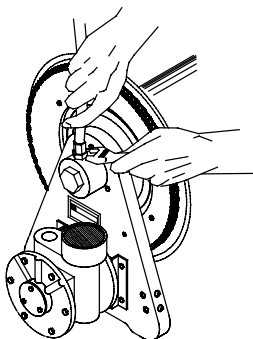
1. Two 1/2" diameter mounting holes are located at the base of each side support panel (2 each). Mount reel using four (customer supplied) bolts; tightening them securely to ensure a solid, rigid attachment.



2. Perform the following steps only after all other installation steps, pertaining to your particular reel, are accomplished. Refer to page 4 for special instructions.

NOTE: A flexible hose connection must be used to compensate for any offset between the supply line and the reel swivel.

3. Apply thread compound to all threads.
4. Thread male connector of supply line into swivel. Tighten securely.



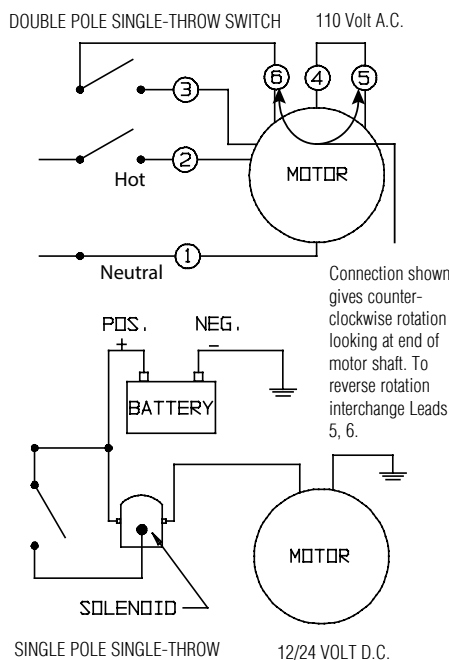
Manual Driven Reels

Additional mounting instructions are not required.

Power Drive Reels

CAUTION: Remove all electrical power when wiring. Do not "hot-wire". Observe all applicable NEC/OSHA requirements.

1. Ensure that supply and motor voltage ratings are compatible.
2. Consult wiring diagrams and determine which one is applicable to your reel.
3. Perform electrical wiring following applicable diagram.

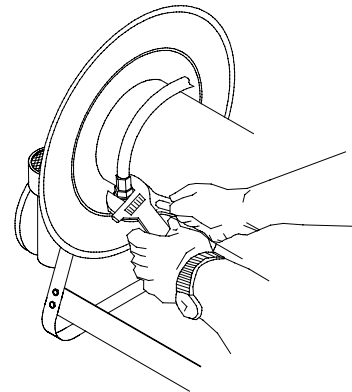


Connecting the hose

CAUTION: Do not connect the hose to the connecting tube assembly until after hose reel has been installed. Fully extend and charge hose before winding on to reel. Momentarily open control valve, when initially charging, to purge hose of gases. When fluid appears at control valve, close valve. This prevents flattening of the hose and excessive pressure on the drum when fluid supply is reinitialized at a later time.

1. Apply thread compound to all threads.
2. Hand thread male hose connector into connecting tube assembly.

3. Using a wrench, firmly hold onto connecting tube assembly while tightening hose connector.



OPERATING INSTRUCTIONS

WARNING-PREVENT STATIC

SPARKING: When working around flammable liquids such as solvents, paints, chemicals or petroleum products, ensure that the hose reel, hose and the equipment being serviced are properly grounded. Use grounded hose(s) (static wire). Use an ohmmeter to check continuity of the ground circuit. Fire and/or explosion can result if proper grounding is not achieved. If reel is power or air driven, be careful of chain/sprocket drive system. Keep hands clear. Do not wear loose fitting clothing. Pull hose from the reel by grasping the hose itself, not the control handle or swivel.

SERVICE INSTRUCTIONS

Replacing the hose

1. Using a wrench, firmly hold onto the connecting tube assembly while removing hose connector.
2. Follow procedures for "Connecting the hose" (refer to installation instructions).

Replacing the swivel

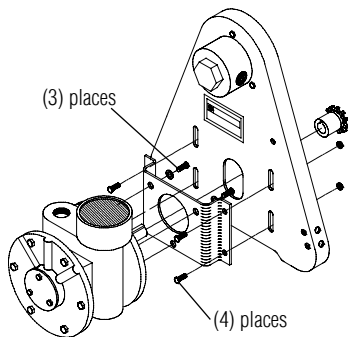
CAUTION: Remove supply line pressure before performing the following procedure.

1. Remove supply line from swivel.
2. Remove swivel assembly from inlet shaft.
3. Install swivel assembly to inlet shaft by reversing steps 1 and 2. Apply thread compound to all threads.

Replacing the motor

CAUTION: Before replacing the motor, remove all electrical power or air pressure from motor.

1. Disconnect wiring/air lines from motor.
2. Remove bolts securing motor mounting bracket to reel. Remove bracket (refer to diagram on page 3).
3. Install swivel assembly to inlet shaft by reversing steps 1 and 2. Apply thread compound to all threads.



Replacing the chain

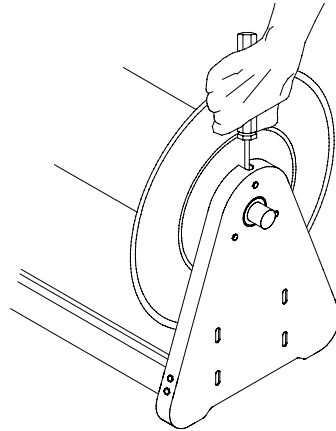
CAUTION: Before replacing the chain, remove all electrical power or air pressure from motor.

1. Loosen (do not remove) bolts securing motor mounting bracket in place.
2. Remove chain master-link.
3. Remove chain master-link. Install new chain by reversing steps 1 and 2 above.

ADJUSTMENT PROCEDURES

Adjusting the reel

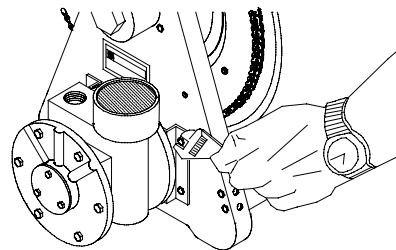
1. Adjust reel drag by loosening or tightening set screw on hub casting on manual driven reel.



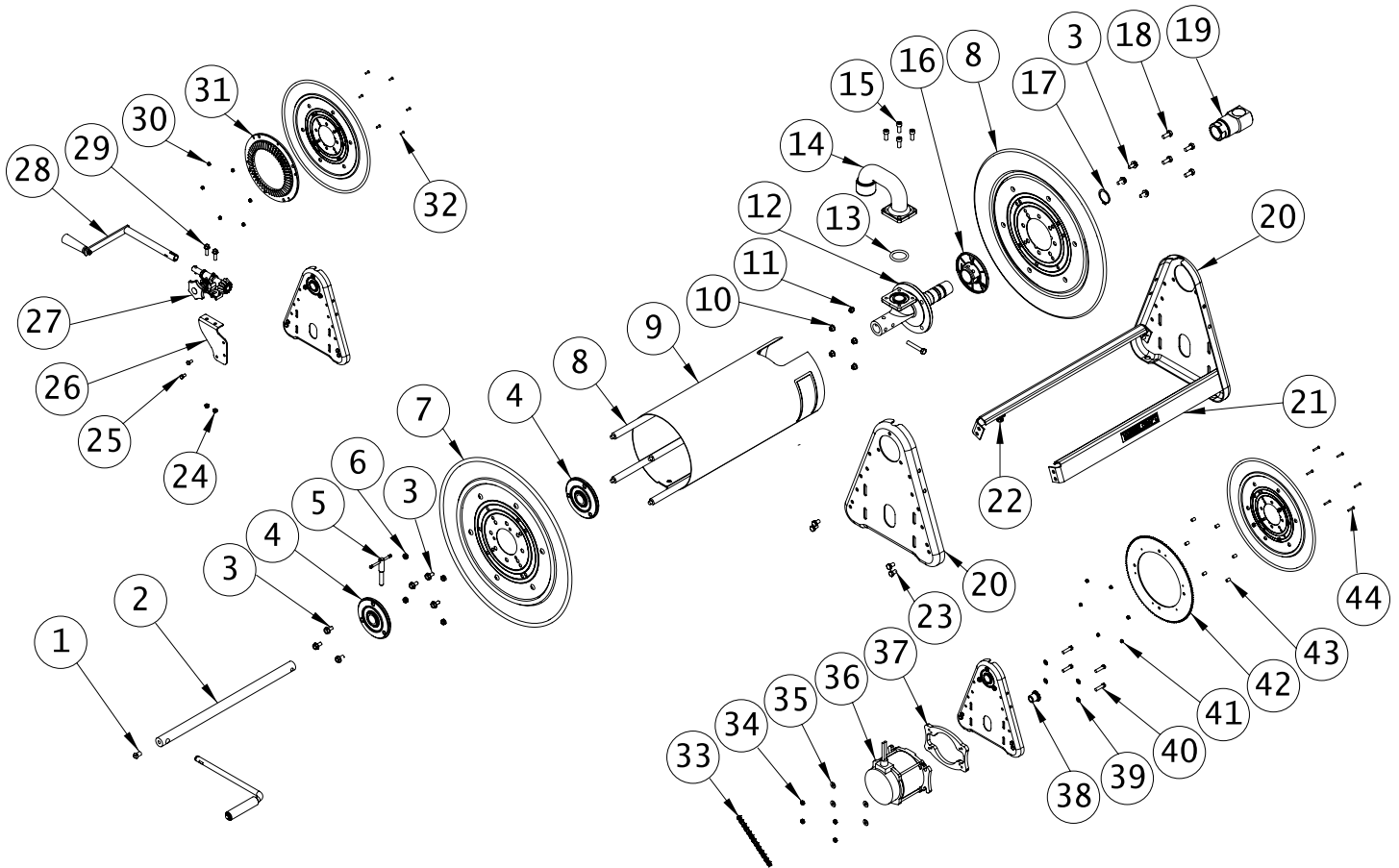
Adjusting the chain tension

CAUTION: Before adjusting the chain tension, remove all electrical power or air pressure from motor. Over-tensioned (tightening) of chain results in reduced motor life. Adjust to allow between 1/4 and 1/2 inch play in chain.

1. Loosen bolts (do not remove) securing motor mounting bracket to reel.
2. Move motor mounting bracket and motor until proper chain tension is obtained.
3. Tighten motor mounting bracket bolts.



Series H37000 Hose Reels



ITEM	DESCRIPTION	QTY.	BH37118 L	BH37122 L	BH37128 L	ITEM	DESCRIPTION	QTY.	BH37118 L	BH37122 L	BH37128 L
2	Spindle Shaft (18" Lg)	1	262334-18	262334-18	262334-18	18	Hex Head Cap Screw (5/16-18 x 3/4)	4	S2-53	S2-53	S2-53
3	Self Tapping Screw (5/6-12 x 5/8)	9	S317-31	S317-31	S317-31	19	Swivel (1" x 1") Atlas	1	600682	600682	600682
4	Hub & Bearing Assembly	2	602587	602587	602587	20	Side Frame	2	260403	260403	260403
5	Lock Handle Assembly	1	280109	280109	280109	21	Cross Brace	2	263121-3	263121-4	263121-5
6	Nyloc Nut (5/16-18)	8	S85-7	S85-7	S85-7	22	Lock Nut (5/16-18)	8	300107	300107	300107
7	Spool Flange	2	260399-3	260399-3	260399-3	23	Hex Cap Screw (5/16-18 x 5/8)	8	S2-52	S2-52	S2-52
8	Tie Rod	4	260402-300	260402-400	260402-500	24	Hex Nyloc Nut (3/8-16)	1	S85-8	S85-8	S85-8
9	Spool Spacer	1	326100-18X8-4	326100-22X8-4	326100-27X8-4	25	Hex Cap Screw (5-16-18 x 5/8)	2	S2-52	S2-52	S2-52
10	Hex Flange Nut w/Insert (5/16-18)	4	261650-2	261650-2	261650-2	26	Crank Support (Right Side)	1	262344	262344	262344
11	Hex Nyloc Nut (3/8-16)	1	S85-8	S85-8	S85-8	26	Crank Support (Left Side)	1	262344L	262344L	262344L
12	Spindle	1	262454	262454	262454	27	Hand Rewind Assembly (Offset Left)	1	391843-1-ANZ	391843-1-ANZ	391843-1-ANZ
13	O-Ring (1.350 ID)	1	S200-324	S200-324	S200-324	27	Hand Rewind Assembly (Offset Right)	1	391843-2-ANZ	391843-2-ANZ	391843-2-ANZ
14	Gooseneck (1" NPT)	1	262455-1NPT	262455-1NPT	262455-1NPT	28	Crank & Handle Assembly	1	390838-10-35	390838-10-35	390838-10-35
15	Socket Head Cap Screw (5/16-18 X 3/4)	4	S7-51	S7-51	S7-51	29	Hex Flange Screw (3/8-16 x 1-1/4)	2	S44-6	S44-6	S44-6
16	Hub & Bearing Assembly	1	602588	602588	602588	30	Flange Nut (10-32)	6	S79-3	S79-3	S79-3
17	Snap Ring (1.214 ID)	1	S140-31	S140-31	S140-31	31	Bevel Gear	1	323058M-ANZ	323058M-ANZ	323058M-ANZ
						32	Flat Cap Screw (10-32 x 5/8)	6	S27-108	S27-108	S27-108

Series H37000 Hose Reels

ITEM	DESCRIPTION	QTY.	CH37118 L	CH37122 L	CH37128 L	EH37118 L12D	EH37122 L12D	EH37128 L12D
1	Set Screw (3/8-16 x 3/8)	1	300089	300089	300089	-----	-----	-----
2	Spindle Shaft (18" Lg)	1	262334-18	262334-18	262334-18	262334-18	262334-18	262334-18
3	Self Tapping Screw (5/6-12 x 5/8)	9	S317-31	S317-31	S317-31	S317-31	S317-31	S317-31
4	Hub & Bearing Assembly	2	602587	602587	602587	602587	602587	602587
5	Lock Handle Assembly	1	280109	280109	280109	280109	280109	280109
6	Nyloc Nut (5/16-18)	8	S85-7	S85-7	S85-7	S85-7	S85-7	S85-7
7	Spool Flange	2	260399-3	260399-3	260399-3	260399-3	260399-3	260399-3
8	Tie Rod	4	260402-300	260402-400	260402-500	260402-300	260402-400	260402-500
9	Spool Spacer	1	326100-18X8-4	326100-22X8-4	326100-27X8-4	326100-18X8-4	326100-22X8-4	326100-27X8-4
10	Hex Flange Nut w/Insert (5/16-18)	4	261650-2	261650-2	261650-2	261650-2	261650-2	261650-2
11	Hex Nyloc Nut (3/8-16)	1	S85-8	S85-8	S85-8	S85-8	S85-8	S85-8
12	Spindle	1	262454	262454	262454	262454	262454	262454
13	O-Ring (1.350 ID)	1	S200-324	S200-324	S200-324	S200-324	S200-324	S200-324
14	Gooseneck (1" NPT)	1	262455-1NPT	262455-1NPT	262455-1NPT	262455-1NPT	262455-1NPT	262455-1NPT
15	Socket Head Cap Screw (5/16-18 w 3/4)	4	S7-51	S7-51	S7-51	S7-51	S7-51	S7-51
16	Hub & Bearing Assembly	1	602588	602588	602588	602588	602588	602588
17	Snap Ring (1.214 ID)	1	S140-31	S140-31	S140-31	S140-31	S140-31	S140-31
18	Hex Head Cap Screw (5/16-18 x 3/4)	4	S2-53	S2-53	S2-53	S2-53	S2-53	S2-53
19	Swivel (1" x 1") Aflas	1	600682	600682	600682	600682	600682	600682
20	Side Frame	2	260403	260403	260403	260403	260403	260403
21	Cross Brace	2	263121-3	263121-4	263121-5	263121-3	263121-4	263121-5
22	Lock Nut (5/16-18)	8	300107	300107	300107	300107	300107	300107
23	Hex Cap Screw (5/16-18 x 5/8)	8	S2-52	S2-52	S2-52	S2-52	S2-52	S2-52
24	Hex Nyloc Nut (3/8-16)	1	S85-8	S85-8	S85-8	S85-8	S85-8	S85-8
33	Drive Chain	1	-----	-----	-----	260406	260406	260406
34	Nyloc Nut (3/8-18)	4	-----	-----	-----	S85-8	S85-8	S85-8
35	Flat Washer (3/8 ID)	4	-----	-----	-----	S350-6	S350-6	S350-6
36	Motor	1	-----	-----	-----	260583	260583	260583
37	Motor Spacer	1	-----	-----	-----	260456	260456	260456
38	Motor Gear	1	-----	-----	-----	260434	260434	260434
39	Flat Washer (5/16 ID)	4	-----	-----	-----	300039	300039	300039
40	Hex Cap Screw (3/8-16 x 1-1/2)	4	-----	-----	-----	S347-67	S347-67	S347-67
41	Flange Nut (10-32)	6	-----	-----	-----	S79-3	S79-3	S79-3
42	Spool Gear (112T)	1	-----	-----	-----	260407	260407	260407
43	Gear Spacer	6	-----	-----	-----	260410	260410	260410
44	Flat Cap Screw (10-32 x 1-1/8)	6	-----	-----	-----	S27-112	S27-112	S27-112