



BOLT CUTTER KIT P/N K5029-1

INSTALLATION INSTRUCTIONS

For additional assistance call 888-514-0083 between 8AM-5PM EST or email: info@pactoolmounts.com

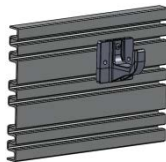
CAUTION

To avoid the risk of personal injury, property damage or product damage, please use the included fasteners for mounting.

- * The bracket must be securely mounted to a stable surface and material.
- * When mounting bracket to PAC TRAC aluminum products **P/N 7000, P/N 7020, P/N 7040, P/N 7050** with the included Trac Lok inserts **P/N 7016**, torque the screws to a maximum 15 in-lbs.
- * PAC recommends regular and frequent inspections to be certain of proper operation and installation.

PAC TRAC MOUNTING

HOOK MOUNT
P/N 1029



HOOK LOK
P/N 1001 (2)



Horizontal or Vertical Mounting

PAC TRAC MTG. HARDWARE

QTY



P/N 2046

#10-24 x 1 S.S.
Pan Head Screw

6



P/N 7016

Trac Lok Insert

6

PAC TRAC Mounting

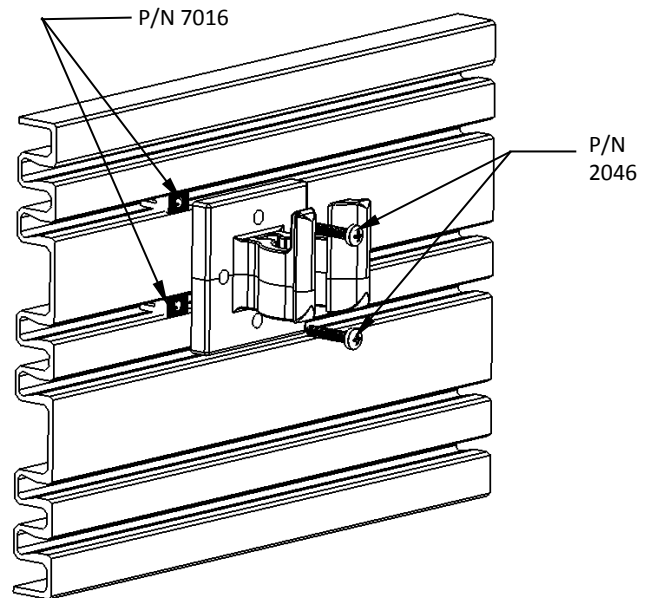
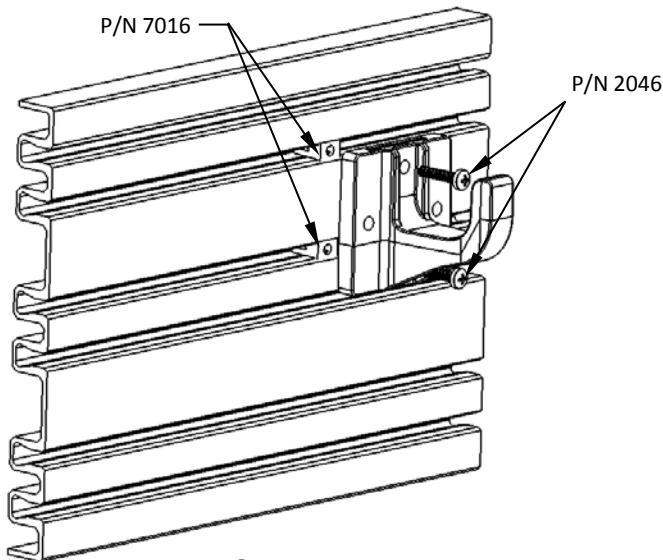


FIGURE 1
(PAC TRAC Mounting)



BOLT CUTTER KIT P/N K5029-1

INSTALLATION INSTRUCTIONS

For additional assistance call 888-514-0083 between 8AM-5PM EST or email: info@pactoolmounts.com

CAUTION

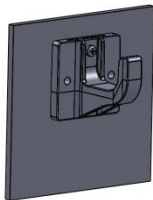
To avoid the risk of personal injury, property damage or product damage, please use the included fasteners for mounting.

- * The bracket must be securely mounted to a stable surface and material.
- * When mounting bracket to PAC TRAC aluminum products **P/N 7000**, **P/N 7020**, **P/N 7040**, **P/N 7050** with the included Trac Lok inserts **P/N 7016**, torque the screws to a maximum 15 in-lbs.
- * PAC recommends regular and frequent inspections to be certain of proper operation and installation.

STANDARD MOUNTING



HOOK MOUNT
P/N 1029



HOOK LOK
P/N 1001 (2)



Horizontal or Vertical Mounting

MTG. HARDWARE

QTY



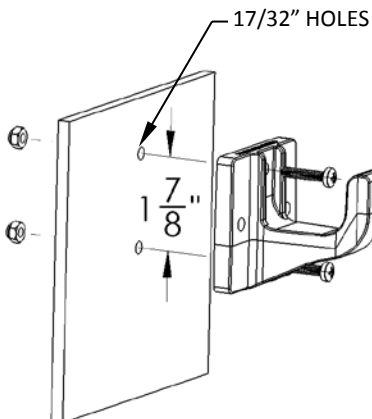
P/N 2046

#10-24 x 1 S.S.
Pan Head Screw

6

NOTE: NOT ALL HARDWARE IS INCLUDED FOR OPTIONAL MOUNTING

(Optional Mounting Method)
Not All Fasteners Included



(Optional Mounting Method)
Fasteners Not Included

